

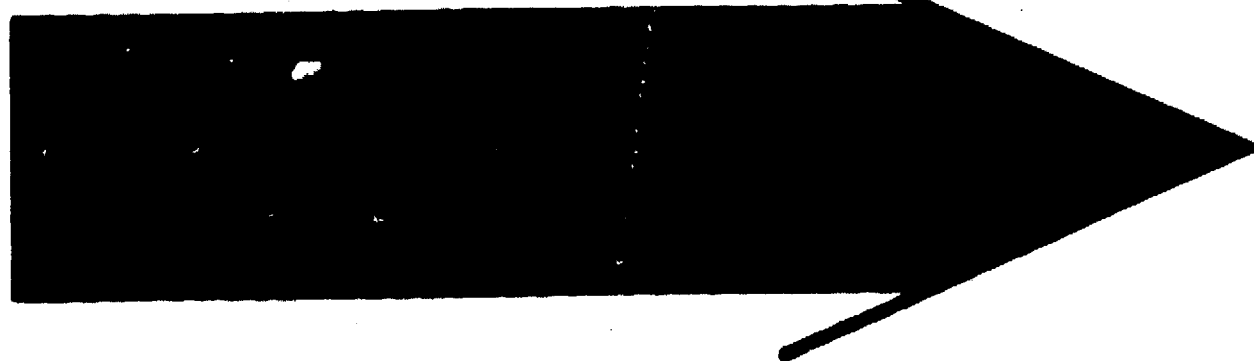
J 1

CB750K3

CB750K4

CB750K5

Courtesy of  Honda4Fun
www.honda4fun.com



J 2

PARTS LIST

FOR

HONDA

CB750K3 CB750K4 CB750K5

FOREWORD

This Parts List contains all the replacement parts for the CB750K3, CB750K4 and CB750K5 models and is to be used when ordering replacement parts.

On placing your replacement parts order, please inform us the frame number for frame parts and the engine number for engine parts together with your order.

The reason for this is that it is necessary to verify that the parts being ordered are applicable to the model series intended.

No supplement to this Parts List will be issued. In case of any change to its content, no notification or supplement will be issued for this Parts List. However, a revised edition of this Parts List will be issued to maintain it up-to-date. The revised edition can be identified by the revision No. on the cover. To check on the latest Parts List revision, please contact your nearest distributor.

September 10, 1976

HONDA MOTOR CO., LTD.

Courtesy of  Honda4Fun
www.hondafour.com www.honda4fun.com

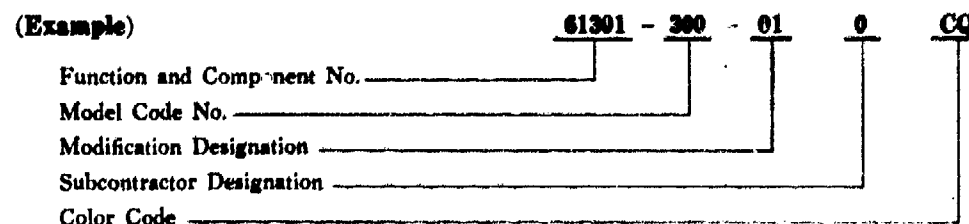
GROUP INDEX
INSTRUCTION FOR USE OF PARTS LIST J 2, J 3
ENGINE GROUP K1, K2 - L11
FRAME GROUP K1, L12 - N11
PART NO. INDEX J4 - J8

INSTRUCTION FOR USE OF PARTS LIST

DESCRIPTION OF PARTS LIST

1. Make-up of the Part Number

The following example is the definition of part number.



2. Abbreviations

The abbreviations used in this parts list are as follows.

ASSY. Assembly	W Watt
COMP. Complete	KPH Kilometer
R. Right	MPH Milemeter
L. Left	L (100L) Link (100 Links)
STD. Standard	A.C. Alternating current
MM Milimeter	D.C. Direct current
G Gram	IN. Inlet
T (22T) Tooth (22 Teeth)	EX. Exhaust
A Ampere	FR. Front
V Volt	RR. Rear

3. Dimensions

All dimensions are in millimeters except for the steel balls and wheels.

Parts	Example	Interpretation
Bolt (Screw)	6×12	6 mm diameter, 12 mm length
Pin	8×14	8 mm diameter, 14 mm length
O-Ring	9.5×1.6	9.5 mm diameter, 1.6 mm thickness
Oil seal	14×24×5	14 mm inside diameter, 24 mm outside diameter, 5 mm thickness
Tube	5×130	5 mm inside diameter, 130 mm length

4. Quantity used

In the column "Reqd. No." is shown the quantity of parts used in the respective group.

Parts with quantities in () represent optional parts.

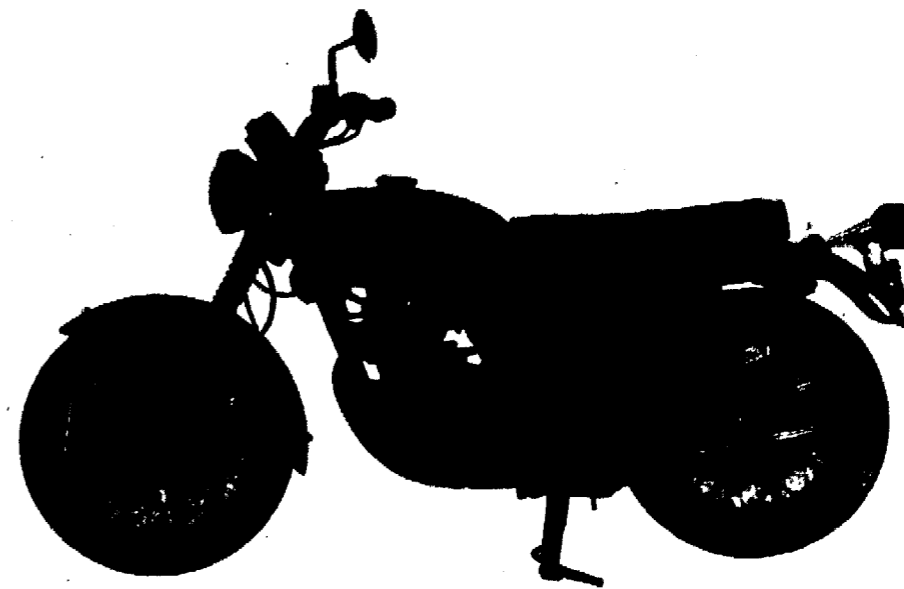
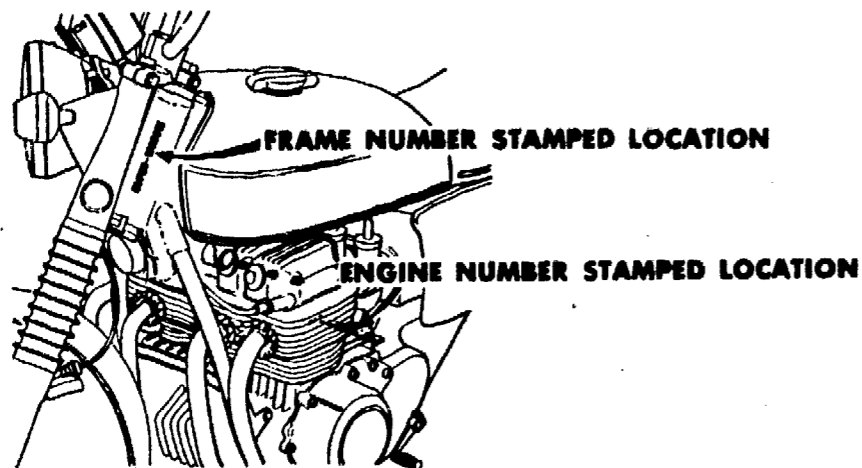
Part whose required number is "N", is part whose required number can be selected at need.

5. Applicable Serial Number

If there is a production change to a part, the engine or frame serial number to which this part become effective will be indicated in the "Serial No." column. However, in case the part is used from the initial serial number, its applicable serial number is not shown. The initial serial number for models are as follows.

Model-Area Code	Type Description	Serial No.
CB750K3	A U.S.A. Type	Engine No. CB750E-2200001~* Frame No. CB750 -2200001~*
CB750K4	A U.S.A. Type	Engine No. CB750E-2300001~* Frame No. CB750 -2300001~*
CB750K5	A U.S.A. Type	Engine No. CB750E-2372115~* Frame No. CB750 -2500001~*

The serial number are stamped on the following locations.

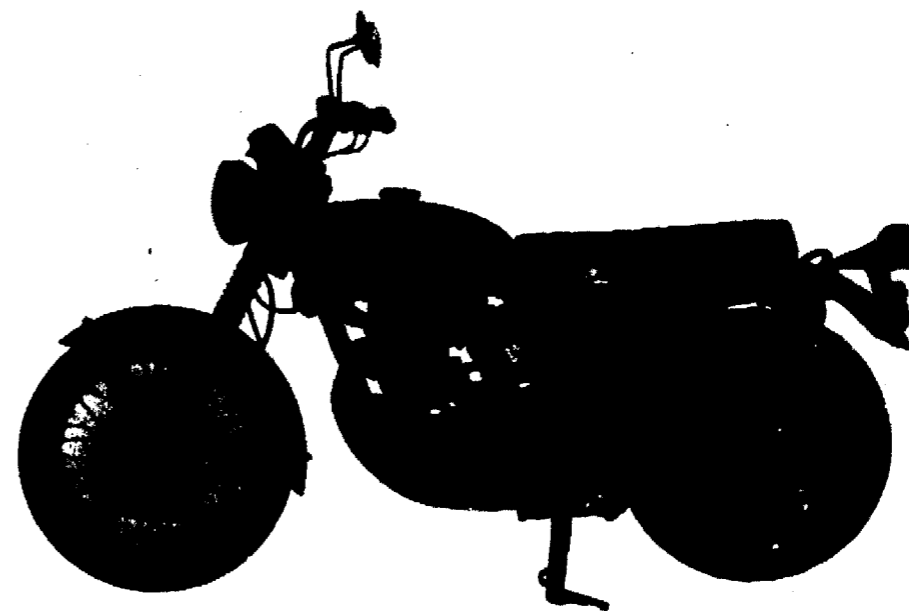


CB750K3

6. Color code

The following table indicates the color description of the color codes which are listed in the text.

Color code	Color description	Color code	Color description
A	White	QQ	Maxim brown metallic custom
B	Black	TC	Freedom green metallic
LV	Flake sunrise orange	TD	Boss maroon metallic
LY	Candy bacchus olive custom	UE	Flake apricot red
MV	Planet blue metallic custom	XW	Chrome plated



CB750K5

7. The part number described under the part description supersedes the part number ahead.

CROSS-REFERENCE TABLE

Courtesy of  Honda4Fun
www.hondafour.com www.honda4fun.com



PART NO. INDEX

BLOCK NO.	ADDRESS NO.	BLOCK NO.	ADDRESS NO.
E - 1	K 2	F - 1	L12
E - 2	K 3	F - 2	L13
E - 3	K 4	F - 3	L14
E - 4	K 5	F - 4	L15
E - 5	K 6	F - 5	L16
E - 6	K 7	F - 6	M 11
E - 7	K 8	F - 7	M 2
E - 8	K 9	F - 8	M 3
E - 9	K10	F - 9	M 4
E - 10	K11	F - 10	M 5
E - 11	K12	F - 11	M 6, M 7
E - 12	K13	F - 12	M 8
E - 13	K14	F - 13	M 9
E - 14	K15	F - 14	M10
E - 15	K16	F - 15	M11
E - 16	L 1	F - 16	M12
E - 17	L 2	F - 17	M13
E - 18	L 3	F - 18	M14
E - 19	L 4	F - 19	M15
E - 20	L 5	F - 20	M16
E - 21	L 6	F - 21	N 1
E - 22	L 7	F - 22	N 2
E - 23	L 8	F - 23	N 3
E - 24	L 9	F - 23-1	N 4
E - 25	L10, L11	F - 24	N 5
		F - 25	N 6, N 7
		F - 26	N 8
		F - 27	N 9
		F - 28	N10
		F - 29	N11

Part No.	Block	Part No.	Block	Part No.	Block
11000		13101-300-030	E-5	15000	
11010-300-110	E-22	13102-300-030	E-5	15010-300-000	E-15
11210-300-050	E-14	13103-300-030	E-5	15100-300-000	E-15
11342-300-050	E-8	13104-300-030	E-5	15105-300-010	E-15
11348-300-010	E-8	13105-300-030	F-5	15135-300-010	E-15
11351-300-060	E-12	13111-300-000	E-5	15140-300-010	E-15
11354-300-010	E-12	13201-300-000	E-17	15145-300-000	E-15
11355-300-000	E-22	13202-300-000	E-17	15147-300-000	E-15
11360-300-040	E-12	13203-300-000	E-17	15150-300-000	E-15
11360-300-050	E-12	13204-300-000	E-17	15155-300-000	E-15
11395-300-040	E-12	13205-300-000	E-17	15161-300-000	E-15
11396-300-303	E-8	13206-300-000	E-17	15166-300-000	E-15
11397-300-303	E-10	13207-300-000	E-17	15171-300-010	E-15
11398-300-303	E-14	13208-300-000	E-17	15176-300-000	E-15
11631-300-040	E-10	13209-300-000	E-17	15326-300-000	E-22
12000		13210-300-000	E-17	15331-300-000	E-22
12010-300-040	E-3	13213-300-020	E-17	15336-300-010	E-22
12025-300-300	E-4	13213-333-003	E-17	15337-300-010	E-22
12027-300-320	E-4	13214-300-000	E-17	15411-300-010	E-14
12027-300-330	E-4	13215-300-013	E-17	15412-300-024	E-14
12100-300-030	E-5	13216-300-013	E-17	15412-300-325	E-14
12100-300-040	E-5	13217-300-013	E-17	15414-300-000	E-14
12100-300-050	E-5	13218-300-013	E-17	15415-300-000	E-14
12115-300-000	E-5	13315-300-013	E-17	15420-300-020	E-14
12116-300-000	E-5	13316-300-013	E-17	15473-300-300	E-14
12191-300-020	E-5	13317-300-013	E-17	15474-300-310	E-14
12191-300-030	E-5	13318-300-013	E-17	15477-300-300	E-14
12195-300-000	E-4	13491-300-000	E-21	15510-300-017	E-22
12200-300-090	E-4	13495-300-000	E-18	15520-300-007	E-22
12200-300-100	E-4	13496-300-000	E-16	15621-300-000	E-22
12200-300-395	E-4	13620-300-010	E-16	15761-300-020	E-22
12200-300-405	E-4	14000		15763-300-303	E-1
12209-300-000	E-2	14101-300-020	E-3	15772-292-010	E-1
12209-300-003	E-2	14321-300-010	E-6	16000	
12211-250-310	E-4	14401-286-003	E-6	16010-300-014	E-25
12238-300-010	E-4	14431-300-030	E-2	16011-302-004	E-25
12251-300-040	E-4	14432-300-030	E-2	16012-300-014	E-25
12251-300-050	E-4	14461-300-020	E-2	16013-300-004	E-25
12251-300-070	E-4	14462-300-010	E-2	16014-300-014	E-25
12251-300-354	E-4	14500-300-000	E-6	16015-300-004	E-25
12310-300-040	E-1	14530-300-010	E-6	16016-300-024	E-25
12310-300-050	E-1	14541-300-000	E-6	16023-300-004	E-25
12310-300-060	E-1	14550-300-030	E-6	16025-300-004	E-25
12321-300-030	E-1	14592-300-000	E-6	16026-300-004	E-25
12329-300-020	E-1	14601-312-000	E-6	16028-300-004	E-25
12361-300-000	E-1	14605-286-020	E-6	16032-300-004	E-25
12391-300-030	E-1	14606-286-000	E-6	16035-300-004	E-25
12391-300-040	E-1	14607-300-000	E-6	16036-300-004	E-25
12431-300-010	E-1	14611-300-000	E-6	16100-300-034	E-25
12435-300-003	E-1	14612-286-000	E-6	16100-300-670	E-25
13000		14711-300-005	E-2	16101-300-034	E-25
13000-300-050	E-17	14721-300-005	E-2	16101-300-044	E-25
13011-300-024	E-5	14751-300-000	E-2	16101-300-670	E-25
13021-300-024	E-5	14751-300-003	E-2	16102-300-034	E-25
13031-300-024	E-5	14761-300-000	E-2	16102-300-044	E-25
13041-300-024	E-5	14761-300-003	E-2	16102-300-670	E-25
13051-300-024	E-5	14771-551-020	E-2	16103-300-034	E-25
		14775-300-000	E-2	16103-300-044	E-25
		14781-551-000	E-2	16103-300-670	E-25
				16104-300-034	E-25



PART NO. INDEX

PART NO. INDEX

Part No.	Block	Part No.	Block	Part No.	Block	Part No.	Block	Part No.	Block	Part No.	Block
40531-341-305	F-19	44609-283-000	F-7	46000		51421-341-701	F-8	53235-300-000	F-9	83700-341-701TC	F-14
40548-268-000	F-19		F-17	46125-533-003	F-4	51430-341-701	F-8	53600-230-000	F-9	83700-341-701TD	F-14
41000		44620-300-020	F-7	46140-533-003	F-4	51432-340-000	F-8	53631-268-020	F-9	83700-341-701UE	F-14
41201-300-870	F-17	44641-341-000	F-7	46500-341-670	F-16	51437-329-010	F-8	55000		84000	
41211-341-000	F-17	44642-300-020	F-7	46510-300-010	F-16	51500-341-701	F-8	55100-300-060B	F-14	84101-341-700	F-20
41231-283-000	F-17	44643-300-000	F-7	46514-300-000	F-16	51500-341-702	F-8	55105-300-010	F-14	84101-341-770	F-20
41231-300-020	F-17	44701-300-013	F-7	50000		51521-341-701	F-8	55106-300-000	F-14	84701-341-670XW	F-26
41241-300-040	F-17	44711-300-013	F-7	50010-341-010B	F-28	51601-300-000	F-8	55107-300-000	F-14	84706-286-000	F-25
41242-300-020	F-17	44711-300-014	F-7	50156-300-020	F-28	51602-341-701XW	F-8	61000		84706-341-000	F-26
42000		44711-341-003	F-7	50223-341-000	F-12	51606-341-701XW	F-8	61100-341-700XW	F-10	87000	
42301-300-010	F-17	44711-341-004	F-7	50301-268-305	F-9	51608-300-000	F-8	61102-300-000	F-10	87121-341-700	F-11
42311-300-010	F-17	44712-300-000	F-7	50302-268-305	F-9	51611-300-000	F-8	61111-341-700	F-10	87122-341-700	F-11
42313-300-020	F-17	44713-300-000	F-7	50322-300-010	F-25	51622-292-010	F-8	61112-341-700	F-10	87123-341-673	F-14
42601-300-030	F-17	44800-300-030	F-7	50323-300-010	F-25	52000		61301-300-010B	F-22	87125-300-010	F-14
42605-300-000	F-17	44830-300-672	F-21	50324-300-000	F-25	52100-341-000B	F-19	61302-300-000	F-22	87126-341-000	F-14
42606-300-003	F-17	44831-300-672	F-21	50325-341-700	F-25	52108-300-300	F-19	61303-336-000	F-22	87127-341-000	F-14
42607-300-003	F-17	45000		50326-341-670	F-25	52109-283-300	F-19	61304-292-000	F-22	87311-516-000	F-11
42609-341-000	F-17	45100-341-003	F-6	50327-300-000	F-25	52136-300-000	F-19	77000		87505-341-670	F-20
42609-341-000	F-17	45101-300-053	F-6	50329-300-010	F-25	52141-300-000	F-19	77200-341-700	F-12	87505-341-671	F-20
42620-300-010	F-17	45102-300-043	F-6	50330-341-000	F-25	52144-283-010	F-19	77200-341-701	F-12	87560-323-670A	F-11
42701-300-013	F-17	45104-317-700	F-6	50331-300-010	F-14	52145-283-000	F-19	77201-300-010	F-12	87560-323-670B	F-11
42711-300-013	F-17	45105-341-000	F-6	50341-300-010	F-14	52400-341-670XW	F-18	77201-341-000	F-12	88000	
42711-300-014	F-17	45106-341-000	F-6	50351-300-040B	F-28	52401-341-000	F-18	77203-300-000	F-12	88100-333-004	F-1
42711-341-003	F-17	45107-300-003	F-6	50356-300-010B	F-28	52403-312-000	F-18	77204-292-000	F-12	88120-333-004	F-2
42711-341-004	F-17	45108-300-003	F-6	50375-300-000B	F-24	52410-341-670	F-18	77205-292-010	F-12	89000	
42712-300-000	F-17	45109-300-003	F-6	50376-300-000 ⁷	F-24	52421-300-000XW	F-18	77211-323-300	F-12	89010-341-010	F-29
42713-300-000	F-17	45110-300-003	F-6	50377-300-000	F-24	52422-329-000	F-18	77212-323-300	F-12	89101-300-010	F-29
		45115-341-670	F-6	50462-323-000	F-24	52424-331-003	F-18	77220-340-011	F-12	89216-300-000	F-29
		45116-323-020	F-6	50500-300-020B	F-27	52458-329-000	F-18	77228-340-001	F-12	90000	
43000		45117-341-700	F-6	50522-300-010	F-27	52459-312-003	F-18	77229-340-001	F-12	90009-300-010	E-6
43100-341-000	F-16	45119-300-020	F-6	50523-300-010	F-27	52482-312-000	F-18	77230-347-003	F-12	90012-300-000	E-2
43100-341-010	F-16	45120-341-000	F-6	50524-001-000	F-15	52484-292-000	F-18	77250-342-300	F-12	90014-300-010	E-10
43102-319-000	F-16	45125-300-003	F-5	50526-300-000	F-27	52517-312-000	F-18	77251-342-000	F-12	90018-300-000	E-1
43120-300-010	F-16	45125-300-020	F-5	50530-341-670	F-27	53000		80000		90033-300-020	E-23
43134-300-000	F-16	45126-341-000	F-5	50540-341-670	F-27	53100-341-700	F-3	80100-341-000	F-20	90033-300-030	E-23
43141-341-000	F-16	45126-341-003	F-5	50543-283-000	F-15	53124-250-000	F-9	80101-283-000	F-26	90034-300-020	E-23
43145-341-000	F-16	45127-300-020	F-5	50548-356-700	F-27	53133-323-000	F-3	80105-341-000	F-20	90034-300-030	E-23
43151-346-000	F-16	45128-341-670	F-5	50549-356-700	F-27	53133-374-670	F-3	80108-061-000	F-23	90040-300-000	E-22
43410-341-700	F-16	45129-300-000	F-5	50603-033-000	F-27	53141-300-010	F-1			90041-300-000	E-24
43431-286-010	F-19	45140-341-670	F-6	50615-341-670	F-27	53163-300-020	F-1			90042-300-000	E-24
43451-341-000	F-16	45146-300-000	F-5	50616-310-000	F-27	53165-342-670	F-1			90046-300-000	E-23
43453-250-00C	F-16	45151-300-000	F-6	50617-300-670	F-27	53166-342-670	F-2			90048-300-000	E-23
43471-292-010	F-16	45451-283-000	F-10	50630-341-670	F-27	53170-300-000	F-4			90049-300-000	E-4
43472-212-000	F-16	45465-341-700	F-2	50640-300-670B	F-27	53180-286-000	F-2			90052-300-000	E-3
43486-250-000	F-16	45500-341-770	F-4	50641-300-670B	F-27					90053-300-000	E-10
		45500-341-771	F-4	50642-310-000	F-27					90054-300-000	E-3
		45502-300-305	F-4	50644-300-670	F-27					90055-300-000	E-4
		45504-300-003	F-4	50661-310-000	F-27					90081-246-000	E-6
		45505-300-003	F-4	50710-377-000	F-15					90108-283-00C	F-27
44301-300-000	F-7	45506-300-003	F-4	50711-341-670	F-15					90114-268-020	F-2
44311-300-000	F-7	45512-300-003	F-4	50712-341-670	F-15					90114-300-000	F-4
44601-300-040	F-7	45513-341-770	F-4	50712-377-000	F-15					90116-283-010	F-8
44606-283-000	F-7	45513-341-771	F-4	50715-377-000	F-15					90119-300-000	F-17
		45517-300-003	F-4								
44606-300-003	F-7	45520-300-000	F-4	51000							
44607-283-000	F-7	45521-300-010	F-4	51400-341-701	F-8						
		45522-300-010	F-5	51400-341-702	F-8						
44607-300-003	F-7	45526-341-000	F-4	51401-341-700	F-8						
44608-283-000	F-7	45527-300-000	F-4	51410-341-702	F-8						
		45530-377-305	F-4	51412-340-000	F-8						

PART NO. INDEX



Part No.	Block	Part No.	Block	Part No.	Block
95001-55130-40	F-11	99003-30000	F-29		
95001-55190-40	F-11	99003-40000	F-29		
95001-55240-40	F-11	99003-50000	F-29		
95001-55350-40	F-11	99005-02000	F-29		
95002-02070	E-25	99006-12000	F-29		
95002-02100	F-11	99006-26000	F-29		
95011-31000	F-15	99007-45000	F-29		
95011-61000	F-15	99008-02000	F-29		
95014-19000	F-17	99114-246-1050	E-25		
95014-41000	F-8	99114-246-1100	E-25		
95014-61100	F-24	99124-076-0400	E-25		
95014-62200	F-24				
95014-72400	F-27				
95014-74320	F-16				
95014-75140	E-9				
95015-52000	F-16				
95015-62000	F-15				
95015-71100	F-15				
95015-83000	F-15				
95015-91000	F-15				
95700-06020	E-9				
95700-06028	E-14				
95700-06036	E-4				
	E-15				
95700-06040	E-6				
	E-14				
	E-23				
	E-24				
95700-06050	E-14				
	E-24				
95700-06056	E-11				
	E-23				
95700-06080	E-23				
95700-06090	E-4				
95700-06100	E-23				
	E-24				
96000					
96100-60030	E-9				
96100-62040	E-18				
96120-63040	F-17				
96120-63050	F-17				
96140-63020	F-7				
96201-30001	F-19				
96211-08000	E-20				
	F-9				
98000					
98069-58711	E-4				
98069-58721	E-4				
98200-10500	F-25				
98200-10700	F-25				
98200-11500	F-25				
99000					
99001-10120	F-29				
99001-14170	F-29				
99002-13500	F-29				
99003-10000	F-29				
99003-20000	F-29				

CONTENTS



Block No.	Nomenclature	Page
ENGINE GROUP		
E- 1	Cylinder Head Cover	K 2
E- 2	Valve • Rocker Arm	K 3
E- 3	Camshaft • Camshaft Holder	K 4
E- 4	Cylinder Head • Insulator	K 5
E- 5	Cylinder • Piston	K 6
E- 6	Cam Chain • Tensioner	K 7
E- 7	Contact Breaker • Spark Advancer	K 8
E- 8	Clutch Cover	K 9
E- 9	Clutch	K 10
E-10	Generator	K 11
E-11	Starting Motor	K 12
E-12	Mission Cover • Rear Cover	K 13
E-13	Gear Shift Spindle • Drum Stopper	K 14
E-14	Oil Filter • Oil Pan	K 15
E-15	Oil Pump	K 16
E-16	Primary Chain • Tensioner	L 1
E-17	Crankshaft	L 2
E-18	Transmission	L 3
E-19	Gear Shift Fork • Drum	L 4
E-20	Kick Starter • Spindle	L 5
E-21	Final Driven Shaft • Drive Sprocket	L 6
E-22	Crankcase	L 7
E-23	Bolt • Washer (Upper crankcase)	L 8
E-24	Bolt • Washer (Lower crankcase)	L 9
E-25	Carburetor	L 10, L 11

FRAME GROUP

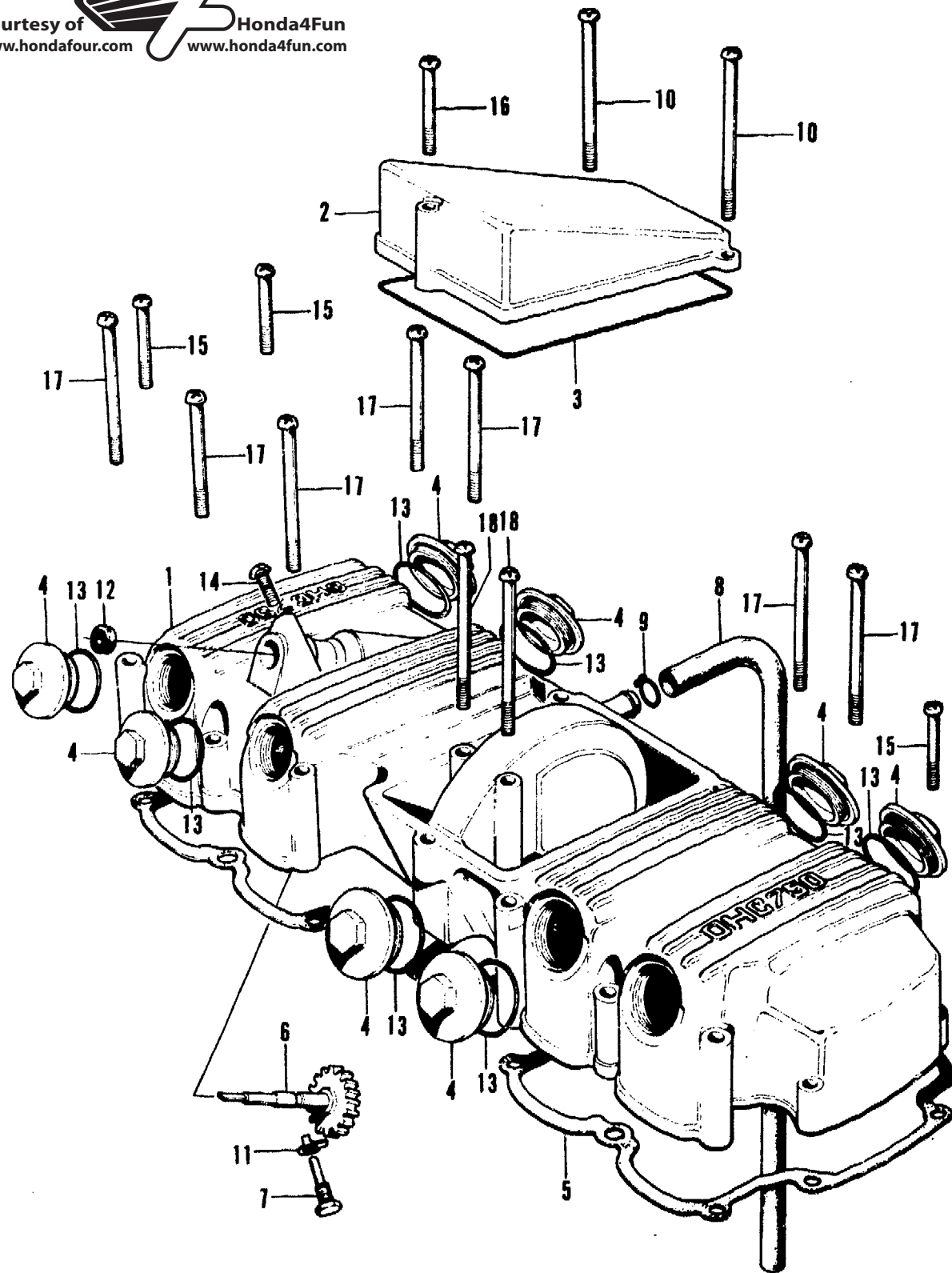
F- 1	R/H Handle Switch • Cable	L 12
F- 2	L/H Handle Switch • Cable	L 13
F- 3	Handle • Top Bridge	L 14
F- 4	Brake Master Cylinder	L 15
F- 5	Front Brake Hose	L 16
F- 6	Front Brake Caliper • Disk	M 1
F- 7	Front Wheel	M 2
F- 8	Front Fork	M 3

Block No.	Nomenclature	Page
F- 9	Steering Stem	M 4
F-10	Front Fender	M 5
F-11	Fuel Tank • Cock	M 6, M 7
F-12	Double Seat	M 8
F-13	Air Cleaner	M 9
F-14	Oil Tank • Tank & Battery Cover	M 10
F-15	Exhaust Muffler	M 11
F-16	Rear Brake Panel • Pedal	M 12
F-17	Rear Wheel • Driven Sprocket	M 13
F-18	Rear Cushion	M 14
F-19	Rear Fork • Chain Case	M 15
F-20	Rear Fender	M 16
F-21	Speedometer • Tachometer	N 1
F-22	Head Light	N 2
F-33	Winker (CB750K3 • CB750K4)	N 3
F-23-1	Winker (CB750K5)	N 4
F-24	Wire Harness • Ignition Coil	N 5
F-25	Battery • Electric Base Plate	N 6, N 7
F-26	Tail Light	N 8
F-27	Stand • Step	N 9
F-28	Frame Body	N 10
F-29	Tool	N 11
	PART NO. INDEX	J 4-J 8

E-1 Cylinder Head Cover

E-1 Cylinder Head Cover

Courtesy of  Honda4Fun
www.hondafour.com www.honda4fun.com

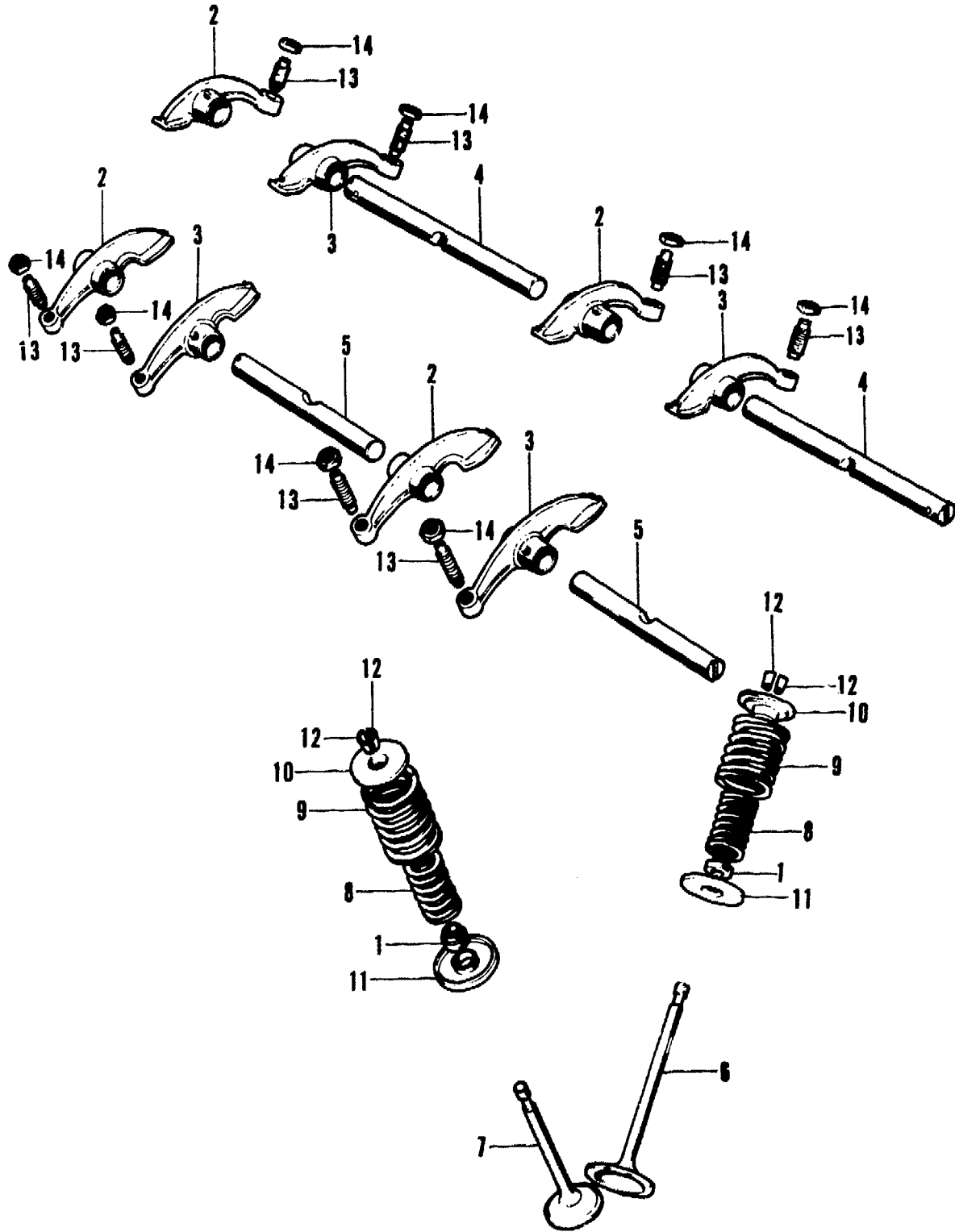


Ref. No.	Part No.	Description	Reqd. No.			Serial No.	Area Code
			CB750	K3	K4		
1	12310-300-040	COVER, CYLINDER HEAD 12310-300-050	1			2304500	
	12310-300-050	COVER, CYLINDER HEAD 12310-300-060	1			2304501	2357330
	12310-300-060	COVER, CYLINDER HEAD	1		1	2357331	
2	12321-300-030	COVER, HEAD BREATHER	1	1	1		
3	12329-300-020	GASKET, BREATHER COVER	1	1	1		
4	12361-300-000	CAP, TAPPET ADJUSTING HOLE	8	8	8		
5	12391-300-030	GASKET, CYLINDER HEAD COVER 12391-300-040	1				
	12391-300-040	GASKET, CYLINDER HEAD COVER	1	1			
6	12431-300-010	GEAR, TACHOMETER	1	1	1		
7	12435-300-003	BOLT, TACHOMETER GEAR STOPPER	1	1	1		
8	15763-300-303	TUBE C, BREATHER	1	1	1		
9	15772-292-010	CLIP, BREATHER TUBE	1	1	1		
10	90018-300-000	SCREW, PAN, 6X75	2	2	2		
11	90439-300-000	WASHER, LOCK	1	1	1		
12	91211-286-003	OIL SEAL, 4.8X14.5X4	1	1	1		
13	91302-001-020	O-RING, 30.8MM	8	8	8		
14	93500-05025-0A	SCREW, PAN, 5X25	1	1	1		
15	93500-06040	SCREW, PAN, 6X40	4	4	4		
16	93500-06050	SCREW, PAN, 6X50	1	1	1		
17	93500-06063	SCREW, PAN, 6X63	10	10	10		
18	93500-06080	SCREW, PAN, 6X80	2	2	2		

E-2 Valve • Rocker Arm

E-2 Valve • Rocker Arm

Courtesy of  Honda4Fun
www.hondafour.com www.honda4fun.com



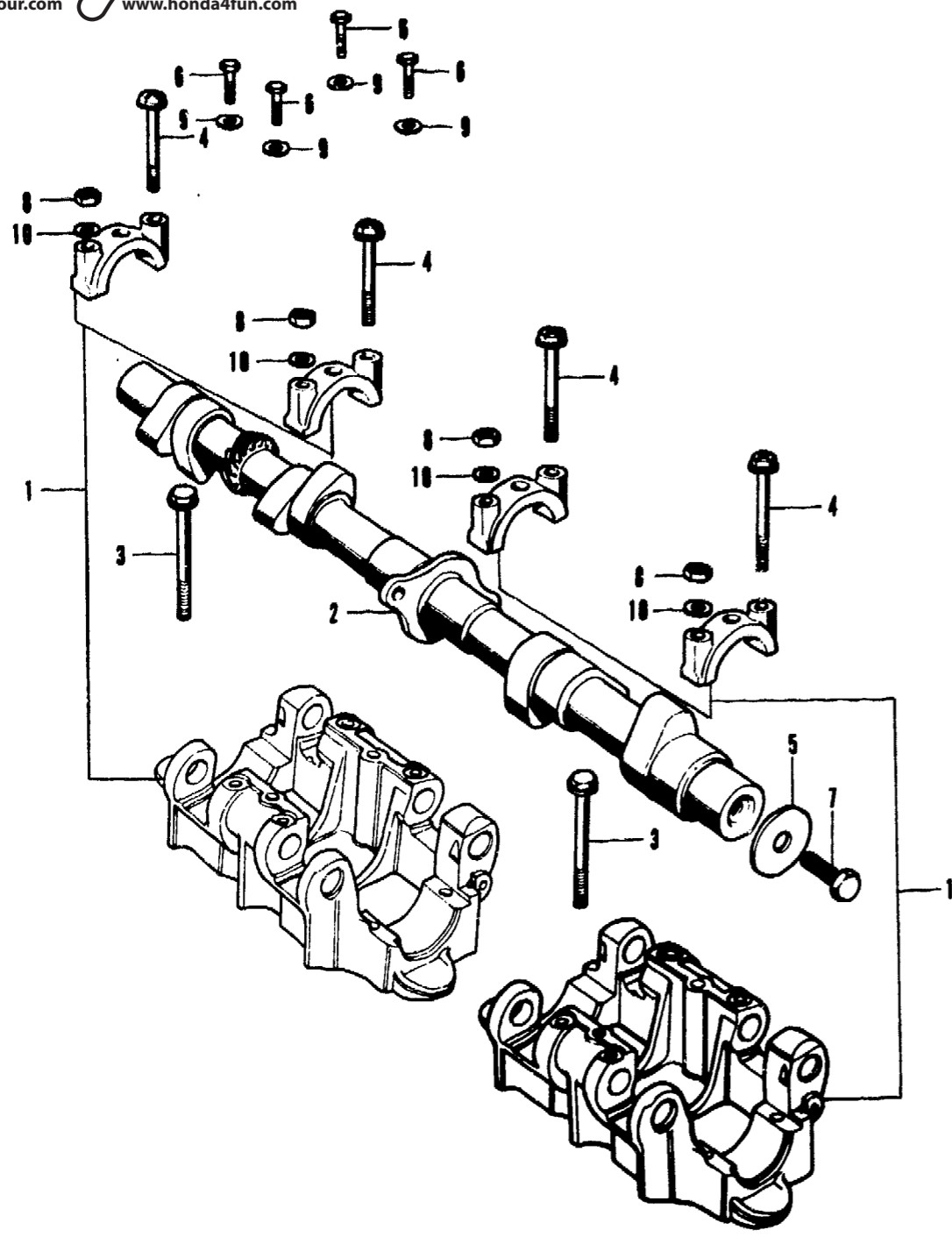
Ref. No.	Part No.	Description	Reqd. No.			Serial No.	Area Code
			CB750 K3	K4	K5		
1	12209-300-000	SEAL, VALVE STEM 12209-300-003	8			2228679	
	12209-300-003	SEAL, VALVE STEM	8	8	8	2228680	
2	14431-300-030	ARM A, VALVE ROCKER	4	4	4		
3	14432-300-030	ARM B, VALVE ROCKER	4	4	4		
4	14461-300-020	SHAFT, IN. ROCKER ARM	2	2	2		
5	14462-300-010	SHAFT, EX. ROCKER ARM	2	2	2		
6	14711-300-005	VALVE, IN. (MITSUBISHI)	4	4	4		
7	14721-300-005	VALVE, EX. (MITSUBISHI)	4	4	4		
8	14751-300-000	SPRING, VALVE (INNER) 14751-300-003	8			2228679	
	14751-300-003	SPRING, VALVE (INNER)	8	8	8	2228680	
9	14761-300-000	SPRING, VALVE (OUTER) 14761-300-003	8			2228679	
	14761-300-003	SPRING, VALVE (OUTER)	8	8	8	2228680	
10	14771-551-020	RETAINER, VALVE SPRING	8	8	8		
11	14775-300-000	SEAT, VALVE SPRING	8	8	8		
12	14781-551-000	COTTER, VALVE	16	16	16		
13	90012-300-000	SCREW, TAPPET ADJUSTING	8	8	8		
14	90205-300-000	NUT, TAPPET ADJUSTING	8	8	8		

K 4

E-3 Camshaft • Camshaft Holder

E-3 Camshaft • Camshaft Holder

Courtesy of Honda4Fun
www.hondafour.com www.honda4fun.com



Ref. No.	Part No.	Description	Reqd. No.			Serial No.	Area Code
			CB750	K3	K4		
1	12010-300-040	HOLDER SET, CAMSHAFT	2	2	2		
2	14101-300-020	CAMSHAFT	1	1	1		
3	90052-300-000	BOLT, SHAFT STOPPER	4	4	4		
4	90054-300-000	BOLT, FLANGE, 6X58	4	4	4		
5	90453-300-000	WASHER, THRUST, 8MM	1	1	1		
6	92000-05016-0A	BOLT, HEX., 5X16	8	8	8		
7	92100-08020	BOLT, HEX., 8X20	1	1	1		
8	94001-06000	NUT, HEX., 6MM	4	4	4		
9	94101-05000	WASHER, PLAIN, 5MM	8	8	8		
10	94101-06000	WASHER, PLAIN, 6MM	4	4	4		

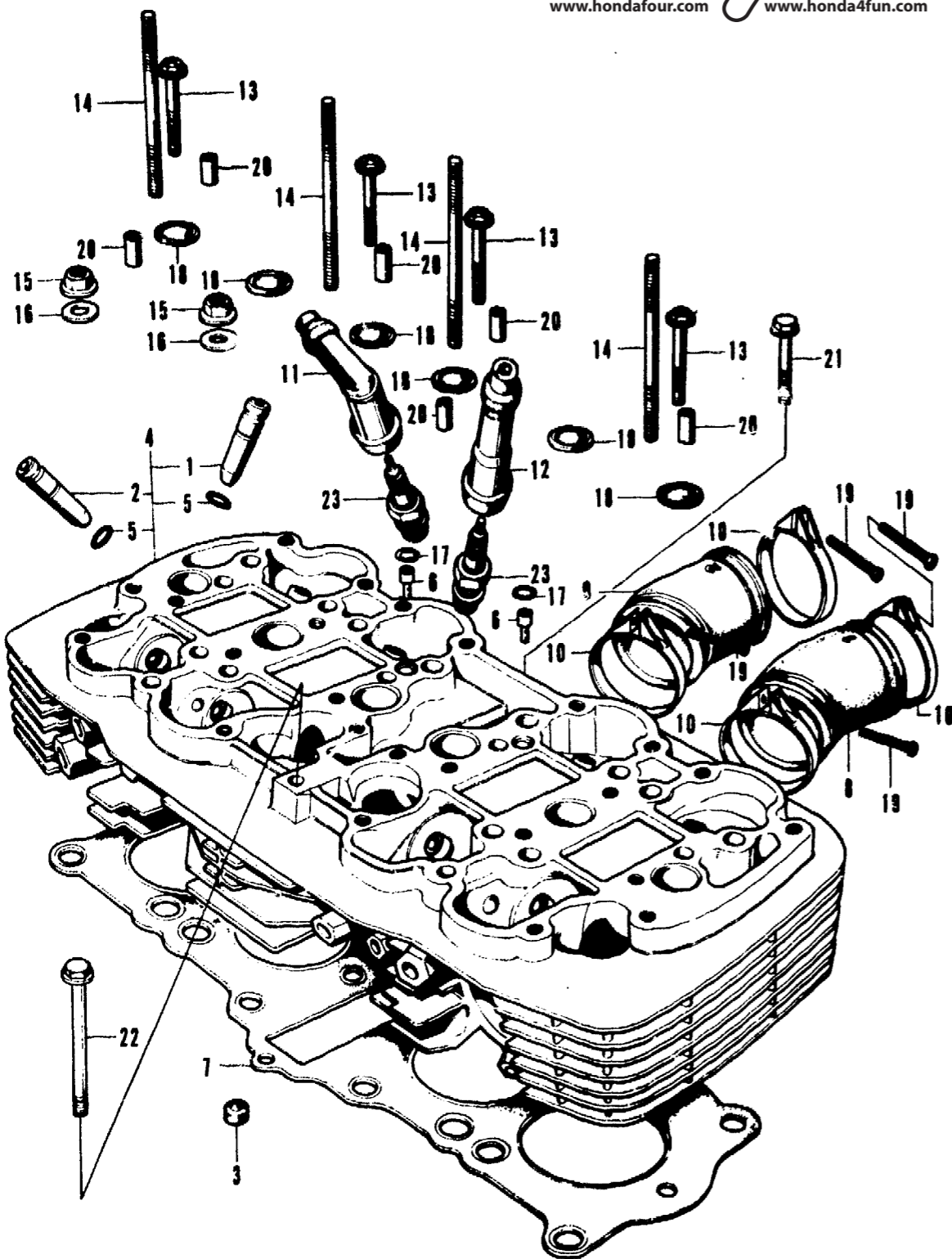
Courtesy of Honda4Fun
www.hondafour.com www.honda4fun.com

E-4 Cylinder Head - Insulator

E-4 Cylinder Head - Insulator



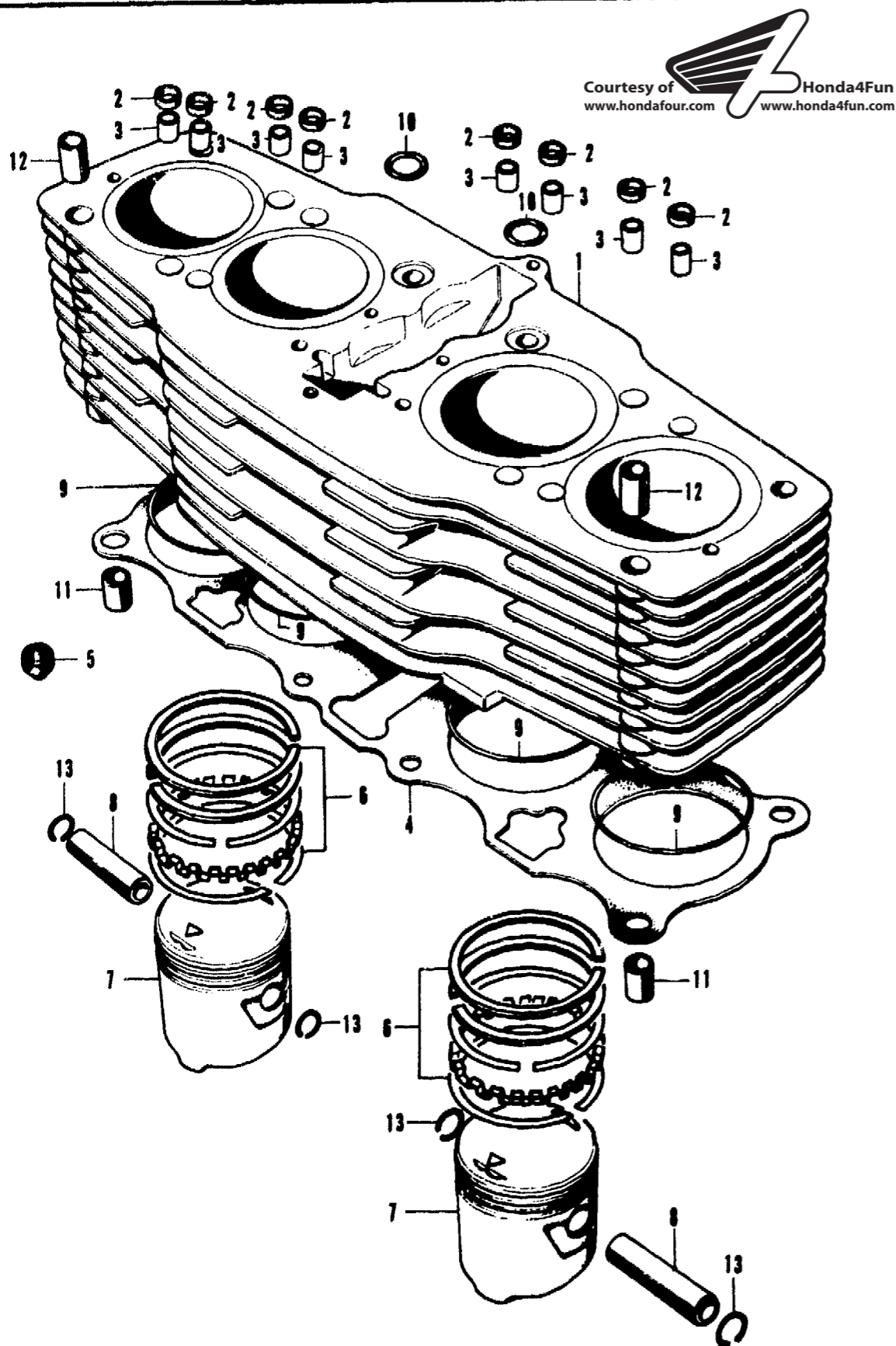
 Courtesy of www.hondafour.com www.honda4fun.com



Ref. No.	Part No.	Description	Reqd. No.			Serial No.	Area Code
			CB750	K3	K4		
1	12025-300-300	GUIDE, IN. VALVE	4	4	4		
2	12027-300-320	GUIDE, EX. VALVE	4			2228679	
	12027-300-330	GUIDE, EX. VALVE	4	4	4	2228680	
3	12195-300-000	RUBBER, INSERT	8			2228679	
			2	2	2	2228680	
4	12200-300-090	HEAD COMP., CYLINDER	1			2228679	
	12200-300-395	HEAD COMP., CYLINDER	1			2228679	
	12200-300-100	HEAD COMP., CYLINDER	1			2228680	
	12200-300-405	HEAD COMP., CYLINDER	1	1	1	2228680	
5	12211-250-310	CLIP, VALVE GUIDE	8	8	8		
6	12238-300-010	ORIFICE, OIL CONTROL	2	2	2		
7	12251-300-040	GASKET, CYLINDER HEAD	1			2304500	
	12251-300-050	GASKET, CYLINDER HEAD	1			2304501	2352922
	12251-300-354	GASKET, CYLINDER HEAD	1			2304501	2352922
	12251-300-070	GASKET, CYLINDER HEAD	1			2352923	
					1		
8	16211-300-030	INSULATOR A, CARBURETOR	2	2	2		
9	16212-300-030	INSULATOR B, CARBURETOR	2	2	2		
10	17255-300-010	BAND, CARBURETOR INSULATOR	8	8	8		
11	30700-300-010	CAP ASSY. A, NOISE SUPPRESSER	2	2	2		
12	30710-300-010	CAP ASSY. B, NOISE SUPPRESSER	2	2	2		
13	90049-300-000	BOLT, SPECIAL, 6X36	4	4	4		
14	90055-300-000	BOLT, STUD, 6X58	4	4	4		
15	90236-300-000	NUT, FLANGE, 8MM	16	16	16		
16	90485-035-000	WASHER, 14MM	16	16	16		
17	91305-323-000	O-RING, 5.8X1.9	4	4	4		
18	91318-300-013	RUBBER, SEALING	6	6	6		
19	93500-04022-0A	SCREW, PAN, 4X22	8	8	8		
20	94301-08140	PIN A, DOWEL, 8X14	6	6	6		
21	95700-06036	BOLT, FLANGE 6X36	1	1	1		
22	95700-06090	BOLT, FLANGE, 6X90	1	1	1		
23	98069-58711	PLUG, SPARK (O-8ES NGK)	4	4	4		
	98069-58721	PLUG, SPARK (X-24ES ND)	4	4	4		

E-5 Cylinder • Piston

E-5 Cylinder • Piston

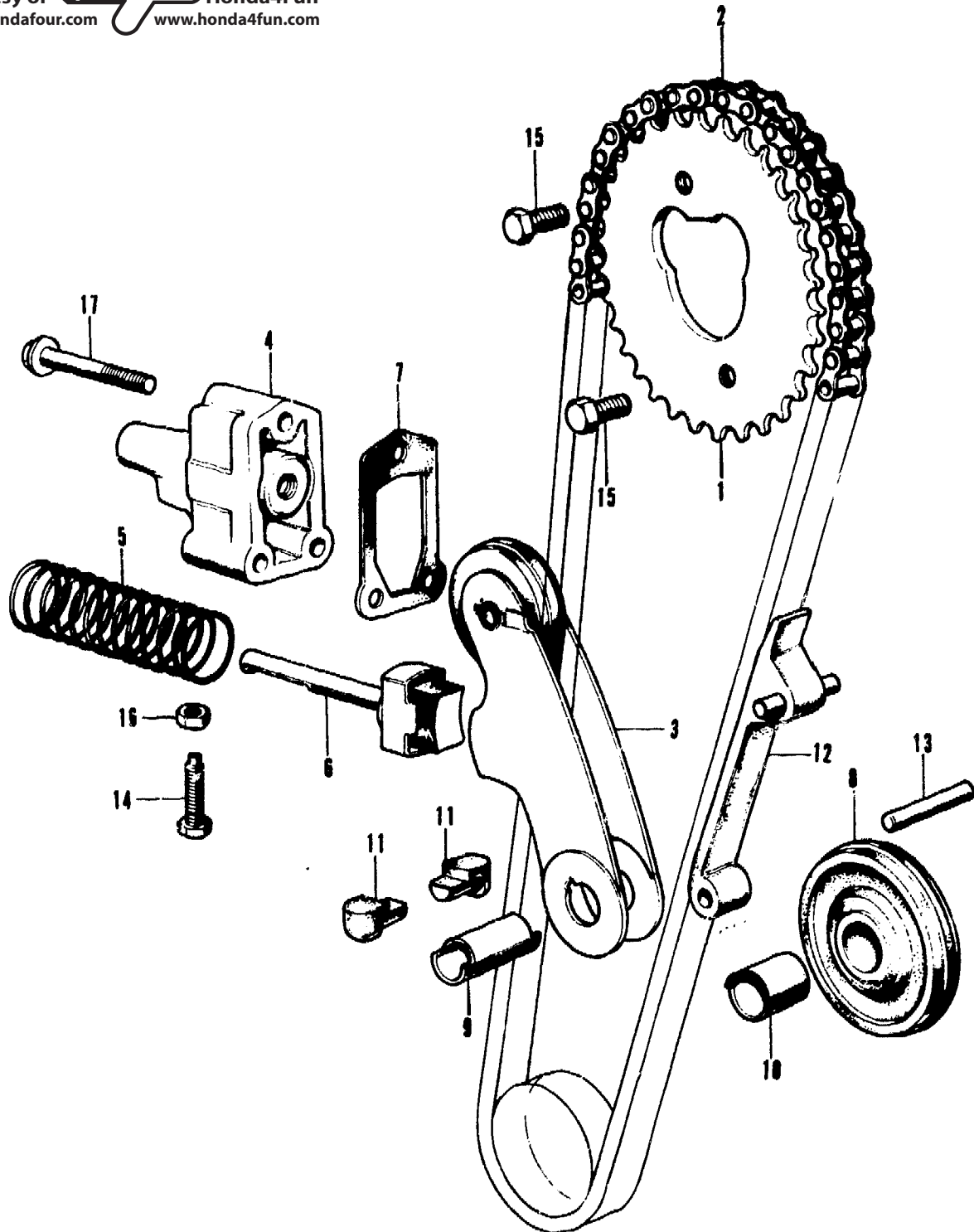


Ref. No.	Part No.	Description	Reqd. No.			Serial No.	Area Code
			CB750	K3	K4		
1	12100-300-030	CYLINDER COMP. 12100-300-040	1	1		2304500	
	12100-300-040	CYLINDER COMP.	1			2304501	2352922
	12100-300-050	CYLINDER COMP.	1	1		2352923	
2	12115-300-000	PACKING, CYLINDER STUD BOLT	8	8		2352923	
3	12116-300-000	PIN, SPECIAL KNOCK, 12MM	8	8		2352923	
4	12191-300-020	GASKET, CYLINDER 12191-300-030	1	1		2304500	
	12191-300-030	GASKET, CYLINDER	1	1		2304501	
5	12195-300-000	RUBBER, INSERT	20	20	20		
6	13011-300-024	RING SET, PISTON (STD. RIKEN)	4	4	4		
	13021-300-024	RING SET, PISTON (0.25 RIKEN)	(4)	(4)	(4)		
	13031-300-024	RING SET, PISTON (0.50 RIKEN)	(4)	(4)	(4)		
	13041-300-024	RING SET, PISTON (0.75 RIKEN)	(4)	(4)	(4)		
	13051-300-024	RING SET, PISTON (1.00 RIKEN)	(4)	(4)	(4)		
7	13101-300-030	PISTON (STD.)	4	4	4		
	13102-300-030	PISTON (0.25)	(4)	(4)	(4)		
	13103-300-030	PISTON (0.50)	(4)	(4)	(4)		
	13104-300-030	PISTON (0.75)	(4)	(4)	(4)		
	13105-300-030	PISTON (1.00)	(4)	(4)	(4)		
8	13111-300-000	PIN, PISTON	4	4	4		
9	91304-286-000	O-RING, 61.8X2.0	4	4	4		
10	91309-035-000	O-RING, 11X2.5	2	2		2304500	
	91310-300-000	O-RING, 11X2.5	2	2		2304501	
11	94301-12150	PIN, KNOCK 12X15	2	2	2		
12	94301-12220	PIN, KNOCK 12X22	2	2	2		
13	94601-15000	CLIP, PISTON PIN, 15MM	8	8	8		

E-6 Cam Chain - Tensioner

E-6 Cam Chain - Tensioner

Courtesy of  Honda4Fun
www.hondafour.com www.honda4fun.com



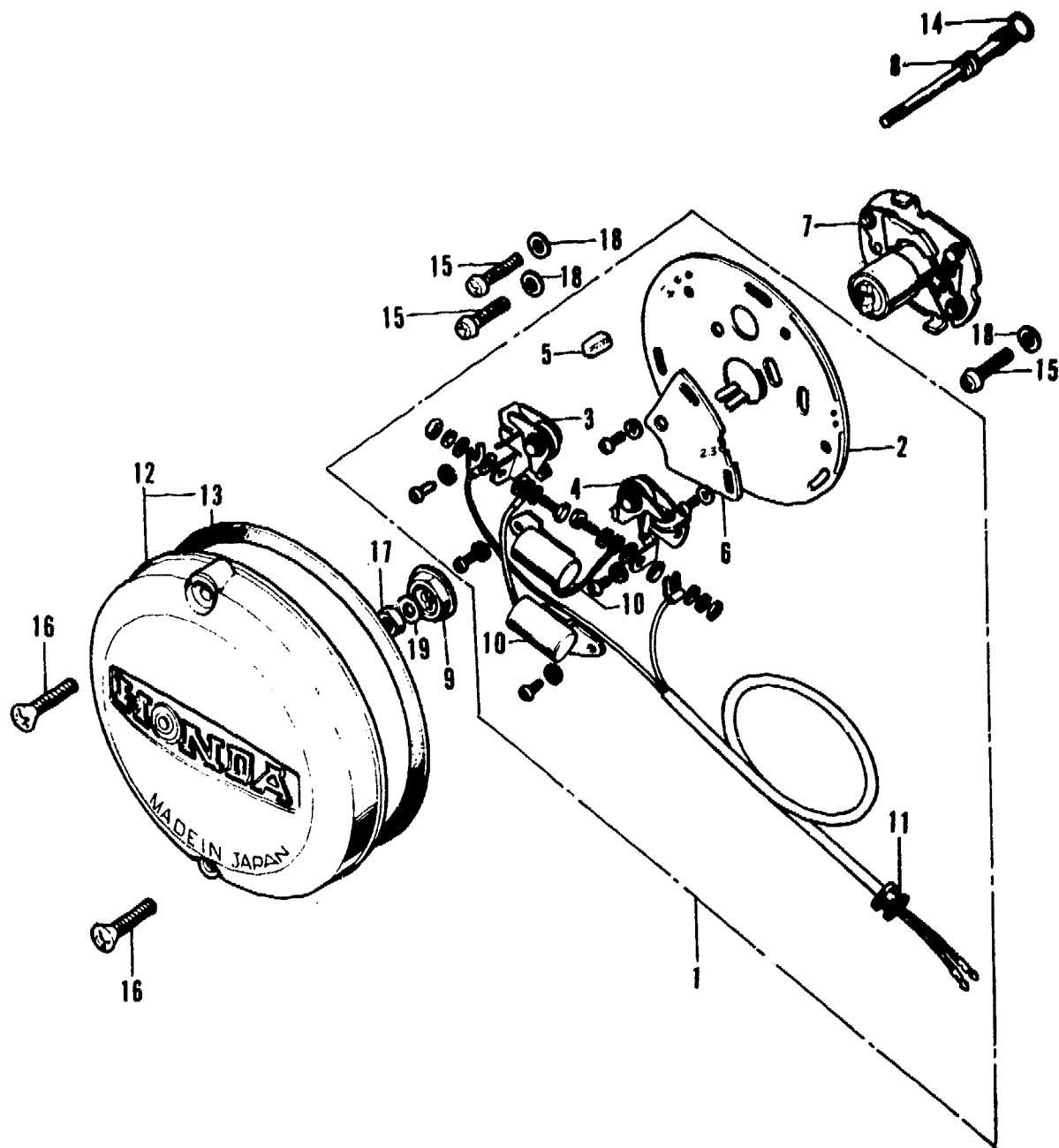
Ref. No.	Part No.	Description	Reqd. No.			Serial No.	Area Code
			CH750	K3	K4		
1	14321-300-010	SPROCKET, CAM 14321-392-000	1	1	1		
2	14401-286-003	CHAIN, CAM (DK219T-94L) (ENDLESS DA100)	1	1	1		
3	14500-300-000	TENSIONER COMP., CAM CHAIN	1	1	1		
4	14530-300-010	HOLDER COMP., CAM CHAIN TENSIONER	1	1	1		
5	14541-300-000	SPRING, CAM CHAIN TENSIONER	1	1	1		
6	14550-300-030	BAR COMP., CAM CHAIN TENSIONER PUSH	1	1	1		
7	14592-300-000	GASKET, CAM CHAIN TENSIONER HOLDER	1	1	1		
8	14601-312-000	ROLLER, CAM CHAIN GUIDE	1	1	1		
9	14605-286-020	PIN, CAM CHAIN ROLLER	1	1	1		
10	14606-286-000	COLLAR, CAM CHAIN ROLLER	1	1	1		
11	14607-300-000	RUBBER, CAM CHAIN ROLLER PIN	2	2	2		
12	14611-300-000	GUIDE, CAM CHAIN	1	1	1		
13	14612-286-000	PIN, CAM CHAIN GUIDE	1	1	1		
14	90009-300-010	BOLT, TENSIONER ADJUSTING	1	1	1		
15	90081-246-000	BOLT, HEX., KNOCK, 7X12	2	2	2		
16	94002-06000	NUT, HEX., 6MM	1	1	1		
17	95700-06040	BOLT, FLANGE, 6X40	3	3	3		

Courtesy of  Honda4Fun
www.hondafour.com www.honda4fun.com

E-7 Contact Breaker · Spark Advancer

E-7 Contact Breaker · Spark Advancer

Courtesy of  Honda4Fun
www.hondafour.com www.honda4fun.com



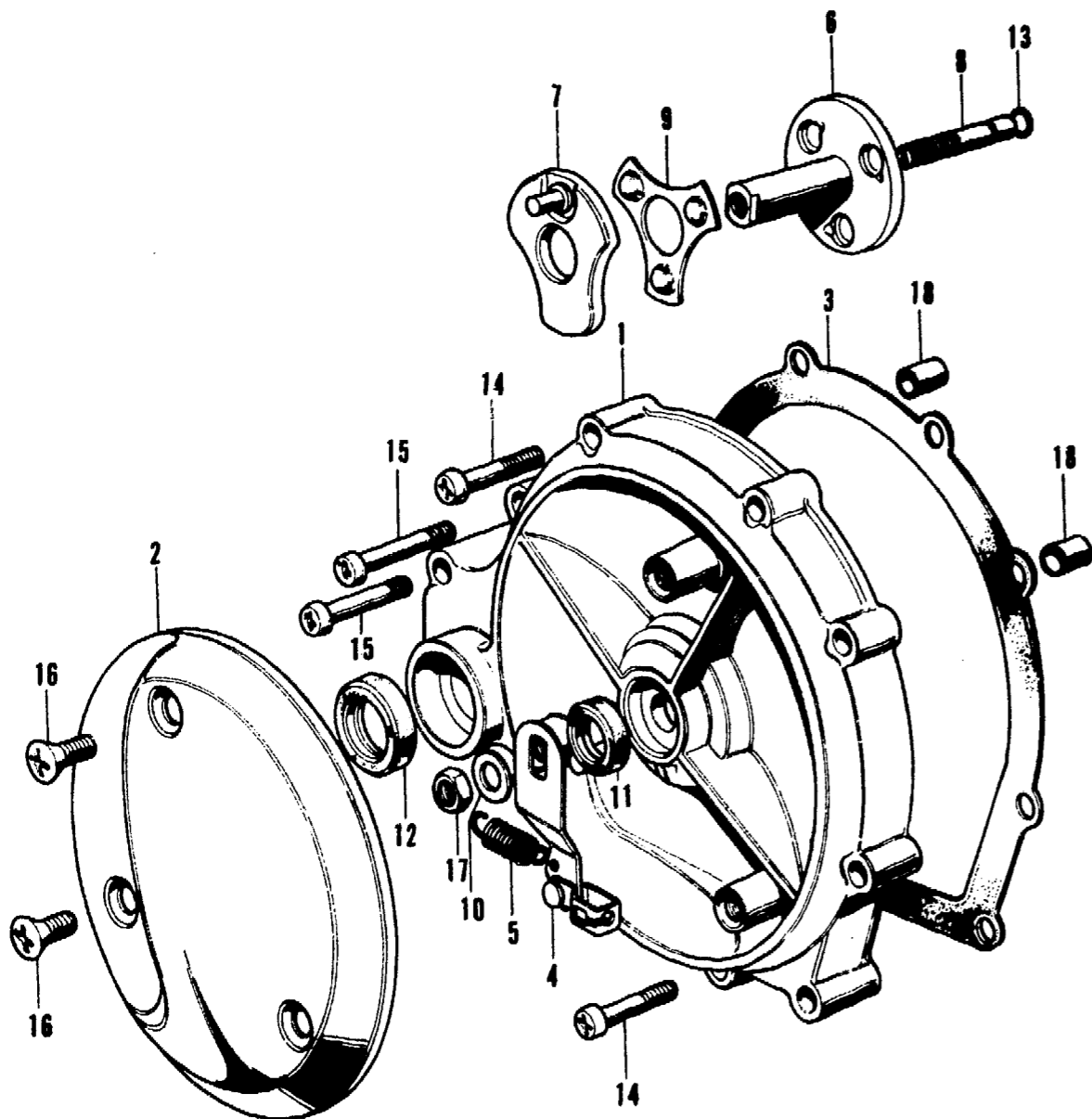
Ref. No.	Part No.	Description	Reqd. No.			Serial No.	Area Code
			CB750	K3	K4 K5		
1	30200-300-015	BREAKER ASSY., CONTACT (HITACHI)	1	1	1		
	30200-300-154	BREAKER ASSY., CONTACT (TOYO)	1	1	1		
2	30201-300-015	PLATE, CONTACT BREAKER BASE (HITACHI)	1	1	1		
	30201-300-154	PLATE, CONTACT BREAKER BASE (TOYO)	1	1	1		
3	30203-300-005	BREAKER, 1&4 CYLINDER CONTACT (HITACHI)	1	1	1		
	30203-300-154	BREAKER, 1&4 CYLINDER CONTACT (TOYO)	1	1	1		
4	30204-300-005	BREAKER, 2&3 CYLINDER CONTACT (HITACHI)	1	1	1		
	30204-300-154	BREAKER, 2&3 CYLINDER CONTACT (TOYO)	1	1	1		
5	30205-003-005	FELT, OIL (HITACHI)	1	1	1		
	30205-300-154	FELT, OIL (TOYO)	1	1	1		
6	30215-300-005	PLATE, BREAKER SHIFT (HITACHI)	1	1	1		
	30215-300-154	PLATE, BREAKER SHIFT (TOYO)	1	1	1		
7	30220-300-005	ADVANCER ASSY., SPARK (HITACHI)	1	1	1		
	30220-300-154	ADVANCER ASSY., SPARK (TOYO)	1	1	1		
8	30231-300-010	SHAFT, SPARK ADVANCER	1	1	1		
9	30233-300-000	WASHER, SPECIAL	1	1	1		
10	30250-300-005	CONDENSER COMP. (HITACHI)	2	2	2		
	30250-300-154	CONDENSER COMP. (TOYO)	2	2	2		
11	30254-300-300	GROMMET, PRIMARY CORD	1	1	1		
12	30370-300-020	COVER COMP., POINT	1	1	1		
13	30372-300-300	GASKET, POINT COVER	1	1	1		
14	91301-300-000	O-RING, 6X2.3	1	1	1		
15	93500-05012-0A	SCREW, PAN, 5X12	3	3	3		
16	93700-06032-02	SCREW, OVAL, 6X32	2	2	2		
17	94002-06000	NUT, HEX., 6MM	1	1	1		
18	94101-05000	WASHER, PLAIN, 5MM	3	3	3		
19	94101-06000	WASHER, PLAIN, 6MM	1	1	1		

E-8 Clutch Cover

E-8 Clutch Cover

Courtesy of  Honda4Fun
www.hondafour.com www.honda4fun.com

Ref. No.	Part No.	Description	Reqd. No.			Serial No.	Area Code
			CB750	K3	K4		
1	11342-300-050	COVER COMP., CLUTCH	1	1	1		
2	11348-300-010	COVER, CLUTCH ADJUSTING	1	1	1		
3	11396-300-303	GASKET, CLUTCH COVER	1	1	1		
4	22810-300-000	LEVER COMP., CLUTCH	1	1	1		
5	22815-300-070	SPRING, CLUTCH LEVER	1	1	1		
6	22820-300-000	SHAFT, CLUTCH RELIESE	1	1	1		
7	22830-300-000	CAM COMP., CLUTCH LIFTER	1	1	1		
8	22841-300-000	BOLT, CLUTCH ADJUSTING	1	1	1		
9	22860-300-006	RETAINER COMP., CLUTCH BALL	1	1	1		
10	90402-822-000	WASHER, HEAD, 8MM	1	1	1		
11	91202-216-000	OIL SEAL, SB TYPE, 14X24X5	1	1	1		
12	91204-286-003	OIL SEAL, 18X29X7	1	1	1		
13	91301-283-000	O-RING, 5X2.4	1	1	1		
14	93500-06028	SCREW, PAN, 6X28	7	7	7		
15	93500-06036	SCREW, PAN, 6X36	3	3	3		
16	93700-06016-02	SCREW, OVAL, 6X16	3	3	3		
17	94002-08000-0S	NUT, HEX., 8MM	1	1	1		
18	94301-08140	PIN A, DOWEL, 8X14	2	2	2		



8300-8

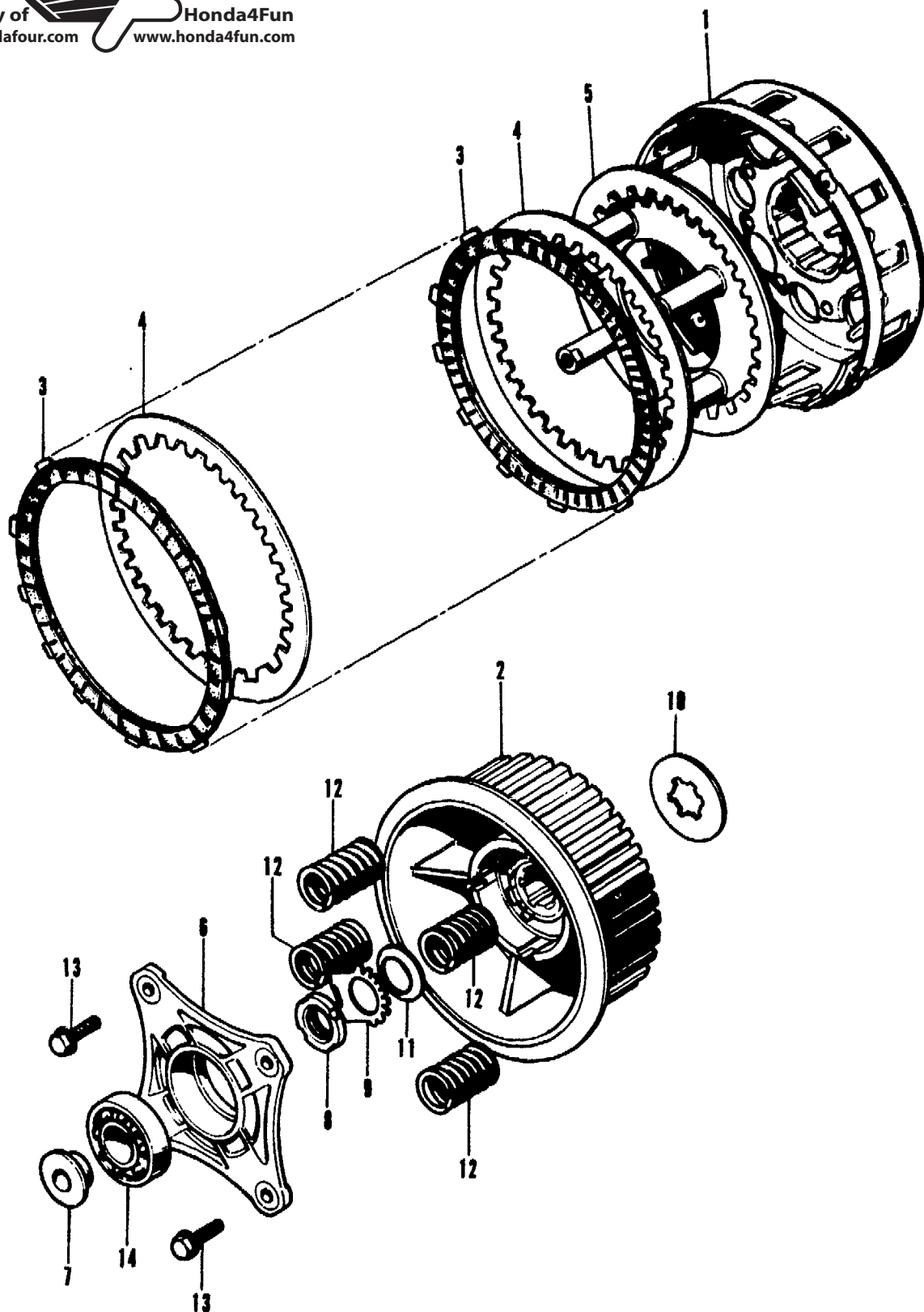
Courtesy of  Honda4Fun
www.hondafour.com www.honda4fun.com

K 10

E-9 Clutch

E-9 Clutch

Courtesy of  Honda4Fun
www.hondafour.com www.honda4fun.com



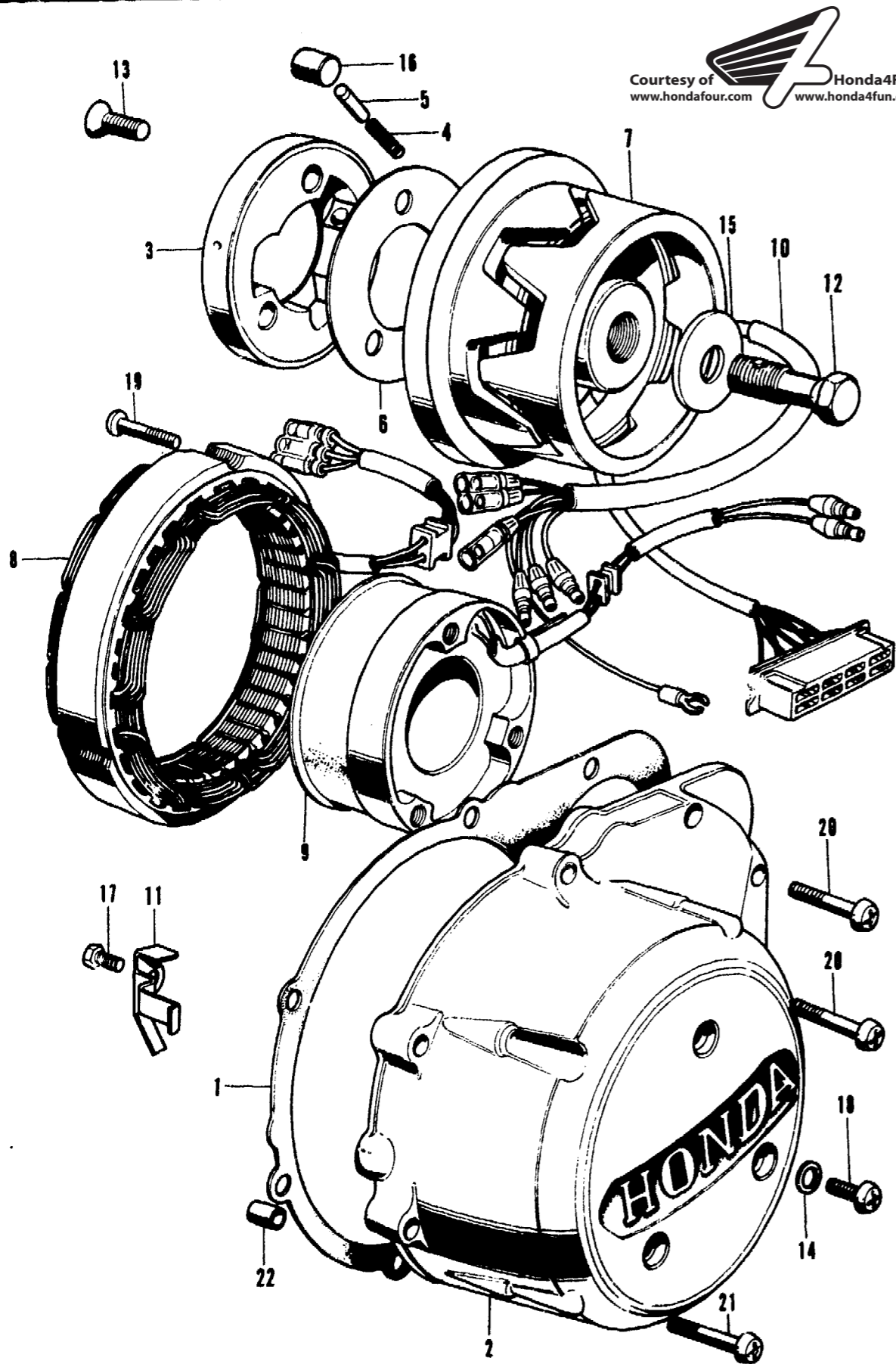
Ref. No.	Part No.	Description	Reqd. No.			Serial No.	Area Code
			CB750	K3	K4		
1	22100-300-020	OUTER COMP., CLUTCH	1	1	1		
2	22120-300-040	CENTER, CLUTCH	1	1	1		
3	22201-300-000	DISK, CLUTCH FRICTION	7	7	7		
4	22321-283-000	PLATE B, CLUTCH	6	6	6		
5	22350-300-030	PLATE, CLUTCH PRESSURE	1	1	1		
6	22360-300-010	PLATE, CLUTCH LIFTER	1	1	1		
7	22846-300-000	PIECE, CLUTCH LIFTER	1	1	1		
8	90231-200-010	NUT, LOCK, 16MM	1	1	1		
9	90431-292-000	WASHER, LOCK, 16MM	1	1	1		
10	90432-300-000 90432-300-303	WASHER, SPLINE, 25MM	1	1	1		
11	90481-292-000	WASHER, OIL FILTER ROTOR LOCK	1	1	1		
12	95014-75140	SPRING 14, CLUTCH	4	4	4		
13	95700-06020	BOLT, FLANGE, 6X20	4	4	4		
14	96100-60030	BEARING, RADIAL BALL, 6003	1	1	1		

300-9A

Courtesy of  Honda4Fun
www.hondafour.com www.honda4fun.com

E-10 Generator

E-10 Generator



Courtesy of  Honda4Fun
www.hondafour.com www.honda4fun.com

Ref. No.	Part No.	Description	Reqd. No.			Serial No.	Area Code
			CB750	K3	K4		
1	11397-300-303	GASKET, DYNAMO COVER	1	1	1		
2	11631-300-040	COVER, DYNAMO	1	1	1		
3	28120-300-000	OUTER, STARTING CLUTCH	1	1	1		
4	28125-516-030	SPRING, STARTING CLUTCH ROLLER	3	3	3		
5	28126-516-020	CAP, STARTING CLUTCH ROLLER SPRING	3	3	3		
6	28128-516-000	PLATE, STARTING CLUTCH SIDE	1	1	1		
7	31101-300-035	ROTER COMP. (HITACHI)	1	1	1		
8	31102-300-035	STATOR COMP. (HITACHI)	1	1	1		
9	31103-300-035	COIL COMP., FIELD (HITACHI)	1	1	1		
10	31110-300-154	HARNES, A.C. GENERATOR WIRE	1	1	1		
11	32116-300-010	PLATE, A.C. GENERATOR CORD SET	1	1	1		
12	90014-300-010	BOLT, ROTOR SET	1	1	1		
13	90053-300-000	SCREW, FLAT, 8X22	3	3	3		
14	90425-300-000	WASHER, 11MM	3	3	3		
15	90428-300-010	WASHER, 12MM	1	1	1		
16	91101-516-000	ROLLER, 15X13	3	3	3		
17	92000-06016	BOLT, HEX., 6X16	1	1	1		
18	93500-06020	SCREW, PAN, 6X20	3	3	3		
19	93500-06028	SCREW, PAN, 6X28	4	4	4		
20	93500-06032	SCREW, PAN, 6X32	7	7	7		
21	93500-06036	SCREW, PAN, 6X36	1	1	1		
22	94301-08140	PIN A, OOWEL, 8X14	1	1	1		

B300-10

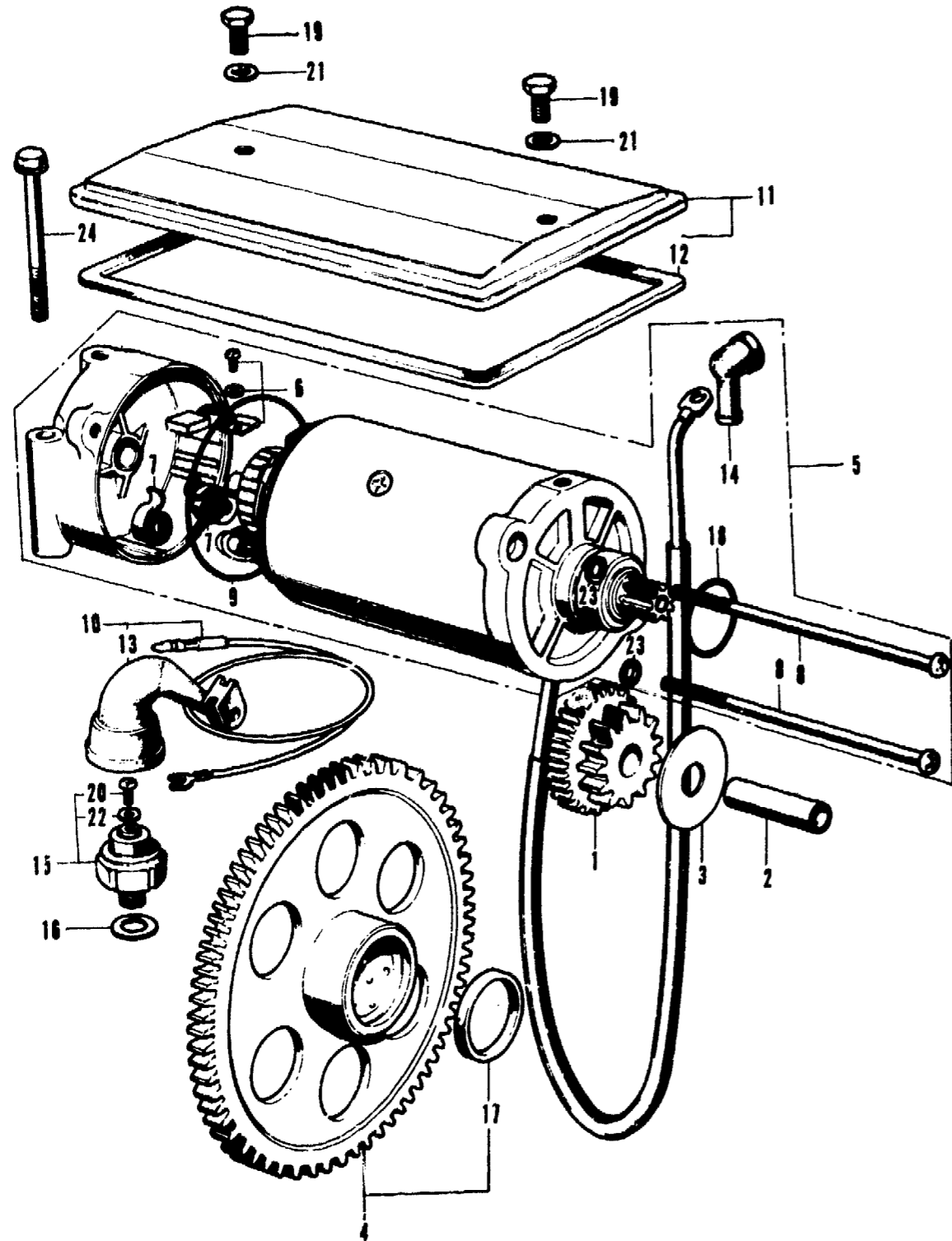
Courtesy of  Honda4Fun
www.hondafour.com www.honda4fun.com

K 12

E-11 Starting Motor

E-11 Starting Motor

Courtesy of  Honda4Fun
www.honda4fun.com



Ref. No.	Part No.	Description	Reqd. No.			Serial No.	Area Code
			CB750	K3	K4		
1	28101-300-000	GEAR, STARTING MOTOR REDUCTION	1	1	1		
2	28106-300-000	SHAFT, STARTER REDUCTION GEAR	1	1	1		
3	28109-300-000	PLATE, STARTING GEAR SETTING	1	1	1		
4	28110-300-000	GEAR COMP., STARTING CLUTCH	1	1	1		
5	31200-300-030	MOTOR ASSY., STARTING	1	1	1		
6	31201-292-158	BRUSH SET, CARBON (MITSUBA)	1	1	1		
7	31204-292-158	SPRING, CARBON BRUSH (MITSUBA)	2	2	2		
8	31205-286-158	BOLT, STARTER MOTOR COVER SETTING (MITSUBA)	2	2	2		
9	31206-286-158	O-RING (MITSUBA)	1	1	1		
10	31270-300-154	CORD ASSY., OIL PRESSURE SWITCH	1	1	1		
11	31280-300-000	COVER COMP., STARTING MOTOR	1	1	1		
12	31282-300-020	PACKING, STARTING MOTOR COVER	1	1	1		
13	31283-300-000	GROMMET, OIL PRESSURE SWITCH CORD	1	1	1		
14	32411-253-000	COVER, STARTING MOTOR TERMINAL	1	1	1		
15	35500-300-000	SWITCH ASSY., OIL PRESSURE	1	1	1		
16	90545-300-000	WASHER, OIL BOLT	1	1	1		
17	91215-300-003	OIL SEAL, 25X33X4	1	1	1		
18	91309-300-000	O-RING, 24.4X3.1	1	1	1		
19	92000-06012-02	BOLT, HEX., 6X12	2	2	2		
20	93500-04005-0A	SCREW, PAN, 4X5	1	1	1		
21	94101-06200	WASHER, PLAIN, 6MM	2	2	2		
22	94111-04000	WASHER, SPRING, 4MM	1	1	1		
23	94111-06000	WASHER, SPRING, 6MM	2	2	2		
24	95700-06056	BOLT, FLANGE, 6X56	2	2	2		

300-11A

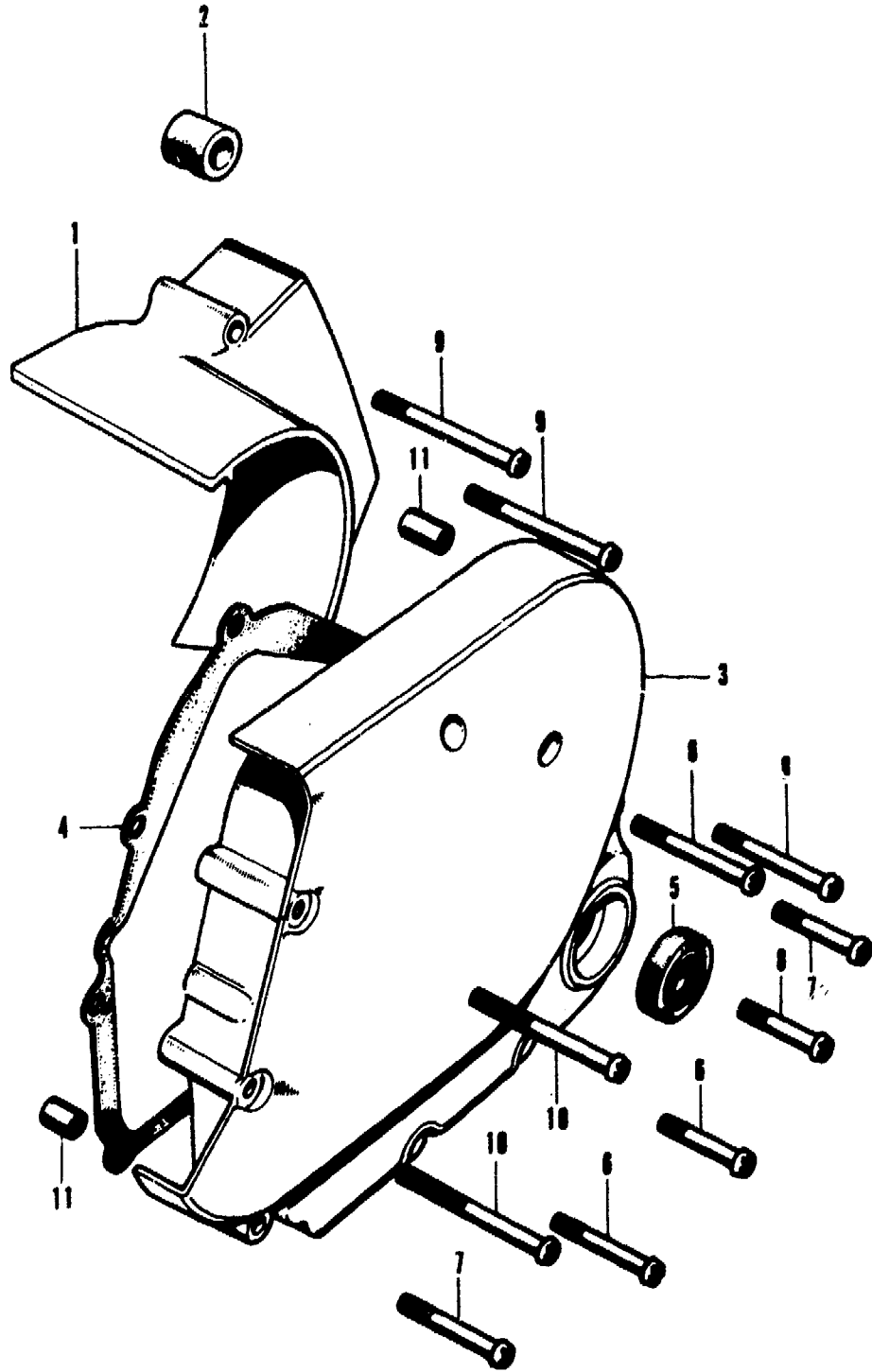
Courtesy of  Honda4Fun
www.honda4fun.com

K 13

E-12 Mission Cover - Rear Cover

E-12 Mission Cover - Rear Cover

Courtesy of  Honda4Fun
www.honda4fun.com



Ref. No.	Part No.	Description	Reqd. No.			Serial No.	Area Code
			CB750	K3	K4		
1	11351-300-060	COVER, L. CRANKCASE RR.	1	1	1		
2	11354-300-010	RUBBER, FINAL CHAIN GUIDE	1	1	1		
3	11360-300-040	COVER, CRANKCASE MISSION	1	1		2348092	
	11360-300-050	COVER, CRANKCASE MISSION	1	1		2348093	
4	11395-300-040	GASKET, MISSION COVER	1	1	1		
5	91206-286-013	OIL SEAL, 14X28X7 (ARAT)	1	1	1		
6	93500-06032	SCREW, PAN, 6X32	2	2	2		
7	93500-06036	SCREW, PAN, 6X36	2	2	2		
8	93500-06040	SCREW, PAN, 6X40	3	3	3		
9	93500-06050	SCREW, PAN, 6X50	2	2	2		
10	93500-06056	SCREW, PAN, 6X56	2	2	2		
11	94301-08140	PIN A, DOWEL, 8X14	2	2	2		

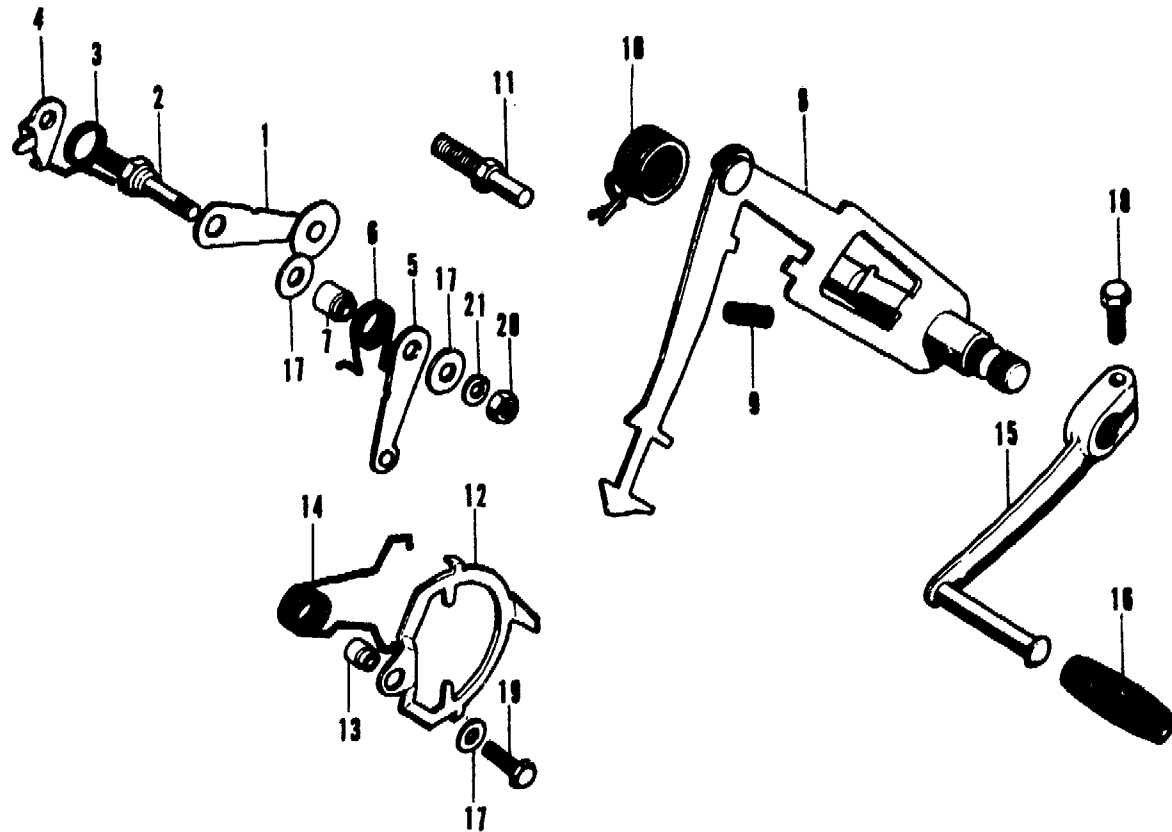
Courtesy of  Honda4Fun
www.honda4fun.com

K 14

E-13 Gear Shift Spindle • Drum Stopper

E-13 Gear Shift Spindle • Drum Stopper

Courtesy of  Honda4Fun
www.hondafour.com www.honda4fun.com



Ref. No.	Part No.	Description	Reqd. No.			Serial No.	Area Code
			CB750	K3	K4		
1	24430-300-040	STOPPER, SHIFT DRUM	1	1	1		
2	24434-300-000	SHAFT, SHIFT DRUM STOPPER PIVOT	1	1	1		
3	24435-300-030	SPRING, SHIFT DRUM STOPPER	1	1	1		
4	24436-300-010	PLATE, SHIFT FORK SHAFT STOPPER	1	1	1		
5	24440-300-020	ARM COMP., NEUTRAL STOPPER	1	1	1		
6	24445-300-020	SPRING, NEUTRAL STOPPER	1	1	1		
7	24447-300-000	PIVOT, NEUTRAL STOPPER	1	1	1		
8	24610-300-010	SPINDLE COMP., GEAR SHIFT	1	1	1		
9	24641-300-000	SPRING, GEAR SHIFT ARM	1	1	1		
10	24651-300-020	SPRING, GEAR SHIFT RETURN	1	1	1		
11	24652-300-000	PIN, SHIFT RETURN SPRING	1	1	1		
12	24661-300-000	STOPPER, GEAR SHIFT POSITIVE	1	1	1		
13	24663-300-000	COLLAR, STOPPER ARM	1	1	1		
14	24666-300-000	SPRING, POSITIVE STOPPER	1	1	1		
15	24701-300-020	PEDAL, GEAR CHANGE	1	1	1		
16	24781-205-000	RUBBER, GEAR CHANGE PEDAL	1	1	1		
17	90417-001-000	WASHER, SHIFT DRUM SIDE	3	3	3		
18	92000-06020	BOLT, HEX., 6X20	1	1	1		
19	92000-06025	BOLT, HEX., 6X25	1	1	1		
20	94001-06000	NUT, HEX., 6MM	1	1	1		
21	94111-06000	WASHER, SPRING, 6MM	1	1	1		

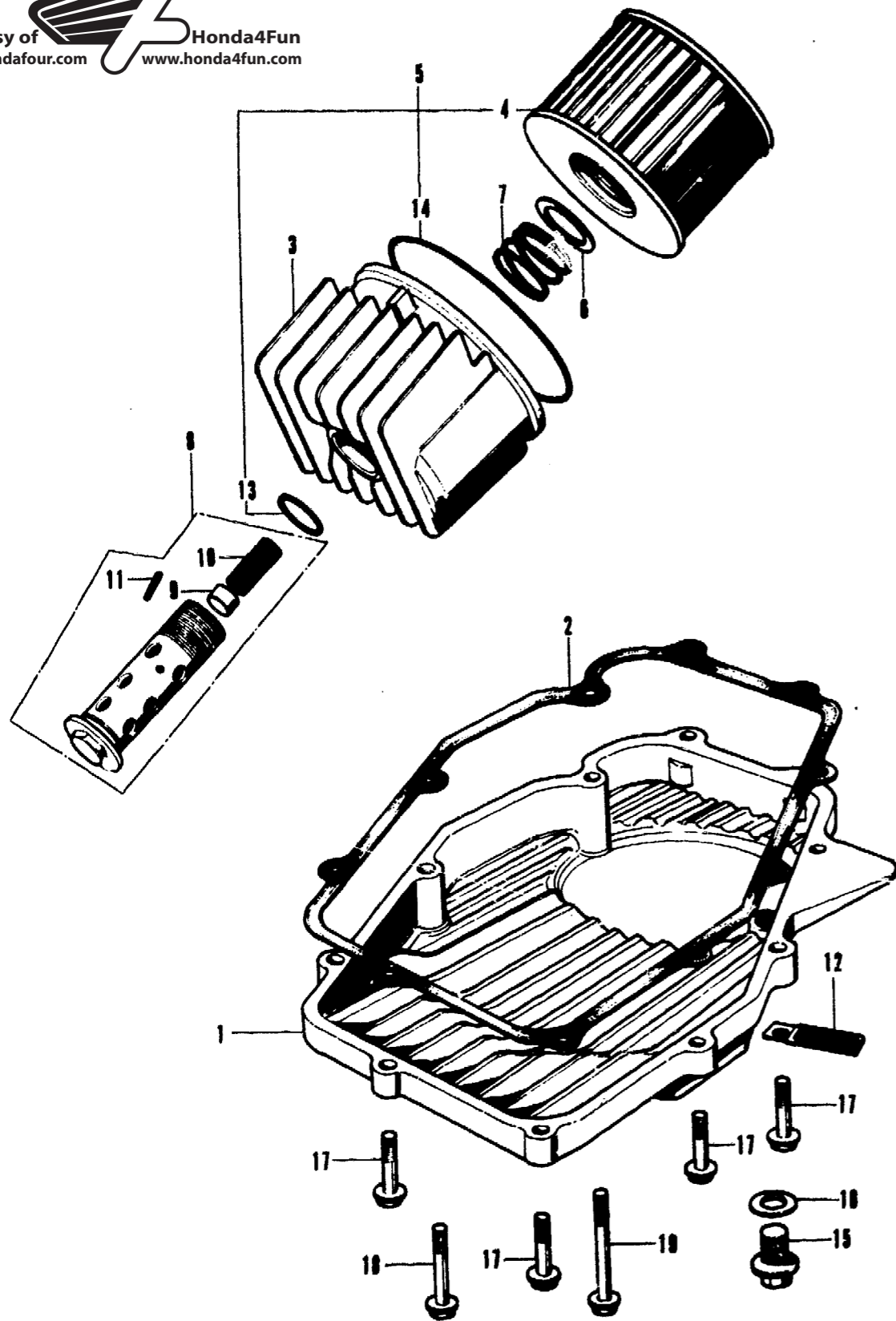
300-13A

Courtesy of  Honda4Fun
www.hondafour.com www.honda4fun.com

E-14 Oil Filter • Oil Pan

E-14 Oil Filter • Oil Pan

Courtesy of Honda4Fun
www.hondafour.com www.honda4fun.com



Ref. No.	Part No.	Description	Reqd. No.			Serial No.	Area Code
			CB750	K3	K4 K5		
1	11210-300-050	PAN, OIL	1	1	1		
2	11398-300-303	GASKET, OIL PAN	1	1	1		
3	15411-300-010	CASE, OIL FILTER	1	1	1		
4	15412-300-024	ELEMENT, OIL FILTER (TOKYO ROKI)	1	1	1		
	15412-300-325						
5	15412-300-325	ELEMENT SET, OIL	1	1	1		
6	15414-300-000	SEAT, OIL FILTER SPRING	1	1	1		
7	15415-300-000	SPRING, OIL FILTER ELEMENT SET	1	1	1		
8	15420-300-020	BOLT COMP., OIL FILTER CENTER	1	1	1		
9	15473-300-300	VALVE, CHECK	1	1	1		
10	15474-300-310	SPRING, CHECK VALVE	1	1	1		
11	15477-300-300	PIN, SPRING SET	1	1	1		
12	32111-300-000	CLAMPER, CORD	1	1	1		
13	91304-028-000	O-RING, 15X2.5	1	1	1		
14	91316-300-003	O-RING, 89X4.5	1	1	1		
	91316-300-005	O-RING, 89X4.5	1	1	1		
15	92800-12000	BOLT, DRAIN PLUG, 12MM	1	1	1		
16	94109-12000	WASHER, DRAIN PLUG 12MM	1	1	1		
17	95700-06028	BOLT, FLANGE, 6X28	8	8	8		
18	95700-06040	BOLT, FLANGE, 6X40	1	1	1		
19	95700-06050	BOLT, FLANGE, 6X50	1	1	1		

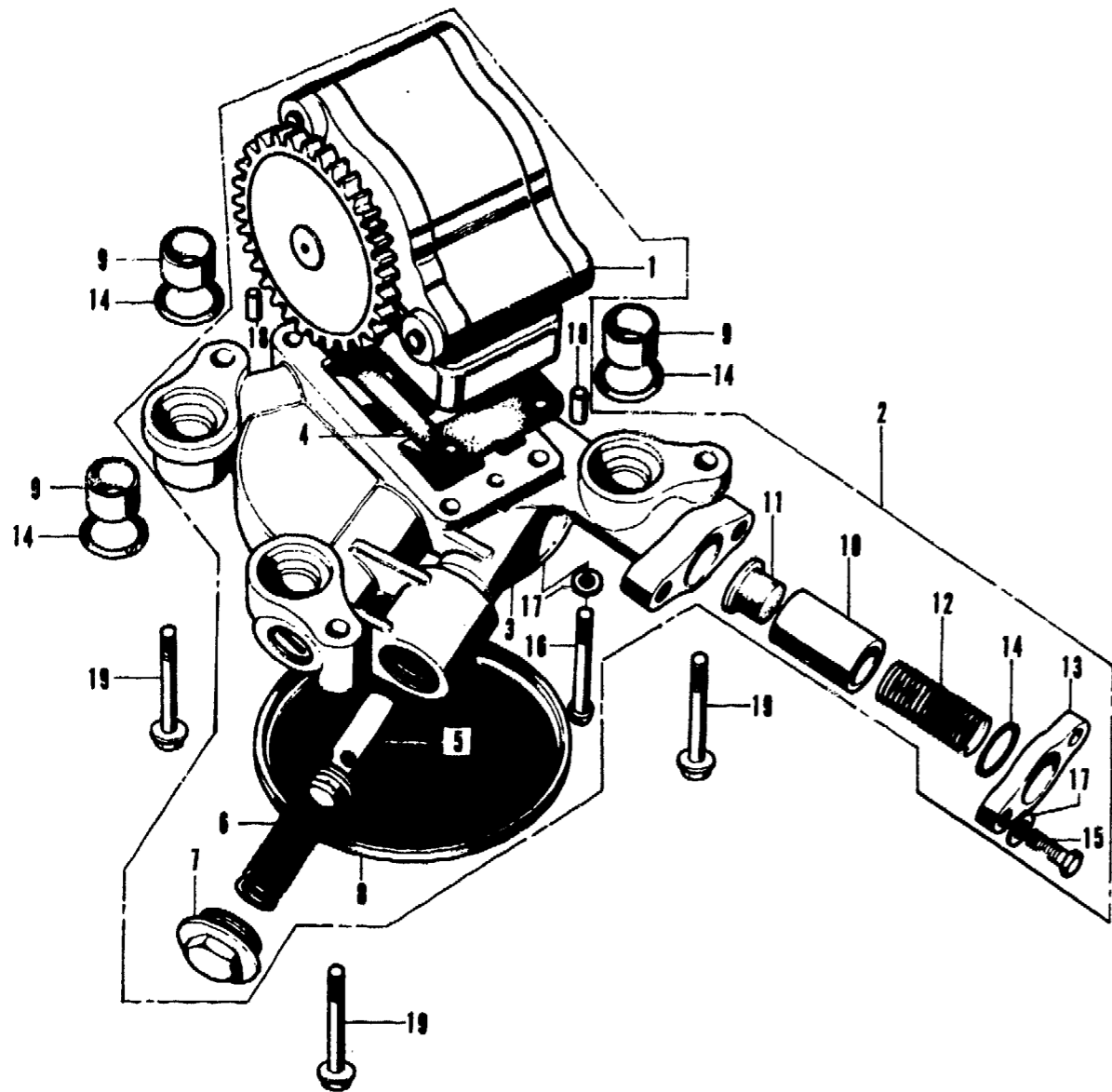
300-14A

Courtesy of Honda4Fun
www.hondafour.com www.honda4fun.com

E-15 Oil Pump

E-15 Oil Pump

Courtesy of  Honda4Fun
www.hondafour.com www.honda4fun.com



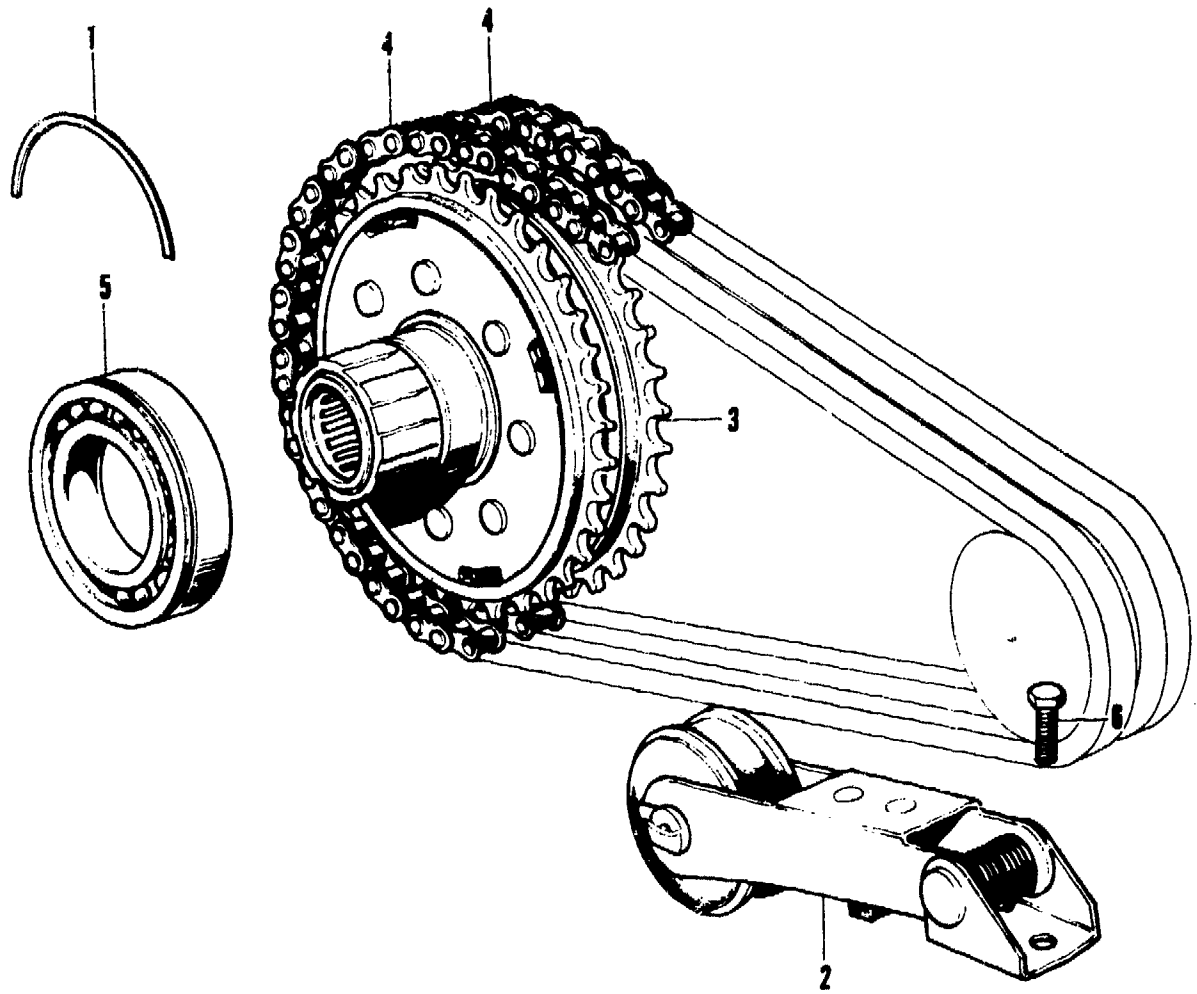
Ref. No.	Part No.	Description	Reqd. No.			Serial No.	Area Code
			CB750	K3	K4		
1	15010-300-000	BODY ASSY., OIL PUMP	1	1	1		
2	15100-300-000	PUMP ASSY., OIL	1	1	1		
3	15105-300-010	BASE COMP., OIL PUMP	1	1	1		
4	15135-300-010	GASKET, OIL PUMP	1	1	1		
5	15140-300-010	VALVE, RELIEF	1	1	1		
6	15145-300-000	SPRING, RELIEF VALVE	1	1	1		
7	15147-300-000	CAP, RELIEF SPRING	1	1	1		
8	15150-300-000	SCREEN, OIL STRAINER	1	1	1		
9	15155-300-000	COLLAR, O-RING	3	3	3		
10	15161-300-000	VALVE, OIL LEAK STOPPER	1	1	1		
11	15166-300-000	SEAL, OIL LEAK STOPPER	1	1	1		
12	15171-300-010	SPRING, OIL LEAK STOPPER	1	1	1		
13	15176-300-000	CAP, OIL LEAK STOPPER	1	1	1		
14	91304-028-000	O-RING, 15X2.5	4	4	4		
15	92000-06020	BOLT, HEX., 6X20	2	2	2		
16	93500-06032	SCREW, PAN, 6X32	4	4	4		
17	94101-06000	WASHER, PLAIN, 6MM	6	6	6		
18	94302-04080	PIN, KNOCK, 4X8	2	2	2		
19	95700-06036	BOLT, FLANGF, 6X36	3	3	3		

E-16 Primary Chain - Tensioner

E-16 Primary Chain - Tensioner

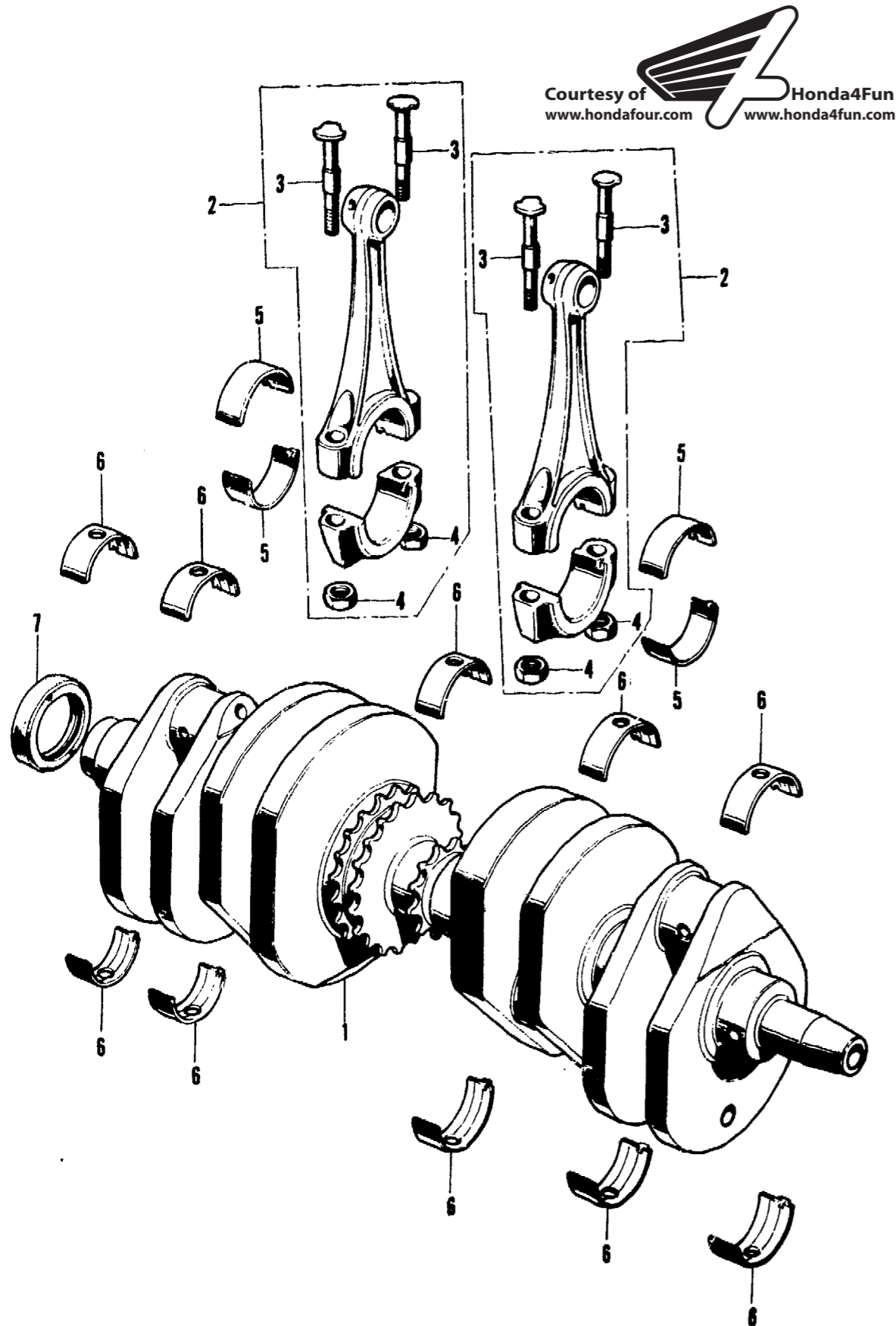
Courtesy of  Honda4Fun
 www.hondafour.com www.honda4fun.com

Ref. No.	Part No.	Description	Reqd. No.			Serial No.	Area Code
			CB750	K3	K5		
1	13496-300-000	RING B; BALL BEARING SET	1	1	1		
2	13620-300-010	TENSIONER COMP.; PRIMARY CHAIN	1	1	1		
3	23110-300-030	SPROCKET COMP.; PRIMARY DRIVEN	1	1	1		
4	23131-300-015	CHAIN; PRIMARY (68L TAKASAGO)	2	2	2		
5	91004-300-000	BEARING; SPECIAL BALL; 6008	1	1	1		
6	92000-06016	BOLT; HEX.; 6X16	1	1	1		



E-17 Crankshaft

E-17 Crankshaft



Courtesy of Honda4Fun
www.hondafour.com www.honda4fun.com

Ref. No.	Part No.	Description	Reqd. No.			Serial No.	Area Code
			CB750	K3	K4		
1	13000-300-050	CRANKSHAFT ASSY.	1	1	1		
2	13201-300-000	ROD COMP. A; CONNECTING	4	4	4		
	13202-300-000	ROD COMP. B; CONNECTING 13204-300-000	4	4	4		
	13203-300-000	ROD COMP. C; CONNECTING 13204-300-000	4	4	4		
	13204-300-000	ROD COMP. D; CONNECTING	4	4	4		
	13205-300-000	ROD COMP. E; CONNECTING 13206-300-000	4	4	4		
	13206-300-000	ROD COMP. F; CONNECTING	4	4	4		
	13207-300-000	ROD COMP. G; CONNECTING 13208-300-000	4	4	4		
	13208-300-000	ROD COMP. H; CONNECTING	4	4	4		
	13209-300-000	ROD COMP. J; CONNECTING	4	4	4		
	13210-300-000	ROD COMP. K; CONNECTING 13208-300-000	4	4	4		
	3	13213-300-020	BOLT; CONNECTING ROD 13213-333-003	8			
13213-333-003		BOLT; CONNECTING ROD (TOKAI)	8			2304500	
4	13214-300-000	NUT; CONNECTING ROD	8	8	8		
5	13215-300-013	BEARING A; CONNECTING ROD (DAIDO)	8	8	8		2304501
	13216-300-013	BEARING B; CONNECTING ROD (DAIDO)	8	8	8		
	13217-300-013	BEARING C; CONNECTING ROD (DAIDO)	8	8	8		
	13218-300-013	BEARING D; CONNECTING ROD (DAIDO)	8	8	8		
	6	13315-300-013	BEARING A; CRANKSHAFT (DAIDO)	10	10	10	
	13316-300-013	BEARING B; CRANKSHAFT (DAIDO)	10	10	10		
	13317-300-013	BEARING C; CRANKSHAFT (DAIDO)	10	10	10		
	13318-300-013	BEARING D; CRANKSHAFT (DAIDO)	10	10	10		
7	91201-300-003	OIL SEAL; 30X42X8	1	1	1		

Selection table of connecting rod bearing

(Oil clearance 20~48μ)

Crank pin allowance 36μ		Connecting rod allowance 38μ		
		3	4	5
0		~-0.005	-0.005~-0.010	-0.010~-0.015
3	+0.024 +0.016	B (BROWN)	B (BROWN)	A (BLACK)
2	+0.016 +0.008	C (GREEN)	C (GREEN)	B (BROWN)
1	+0.008 0	D (YELLOW)	D (YELLOW)	C (GREEN)

Selection table of crankshaft bearing

(Oil clearance 20~48μ)

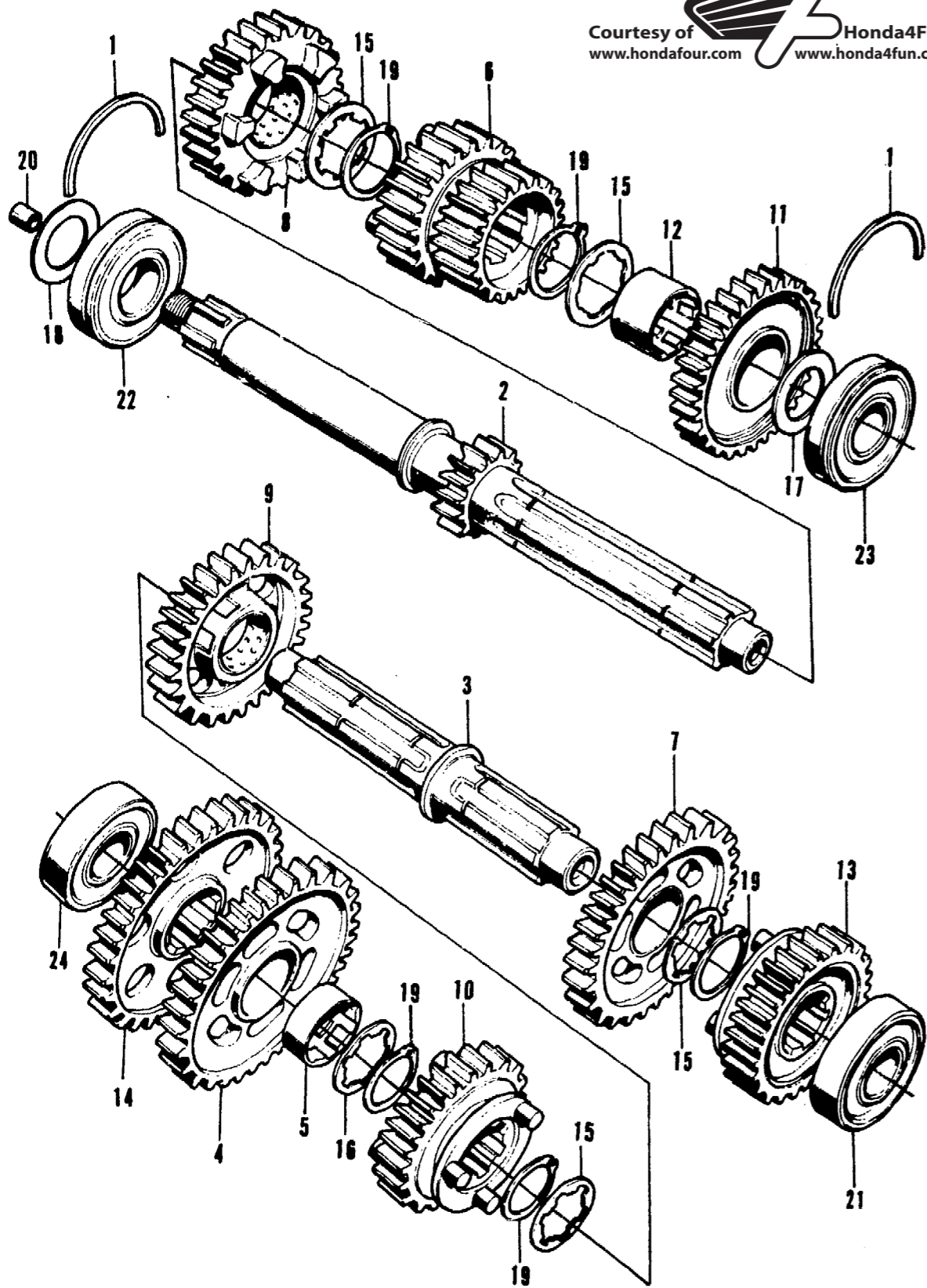
Crankshaft Journal allowance 36μ		Crankcase allowance 38μ		
		A	B	C
0		~-0.005	-0.005~-0.010	-0.010~-0.015
C	+0.024 +0.016	B (BROWN)	B (BROWN)	A (BLACK)
B	+0.016 +0.008	C (GREEN)	C (GREEN)	B (BROWN)
A	+0.008 0	D (YELLOW)	D (YELLOW)	C (GREEN)

B300-17

Courtesy of Honda4Fun
www.hondafour.com www.honda4fun.com

E-18 Transmission

Courtesy of  Honda4Fun
www.hondafour.com www.honda4fun.com



B300-18

E-18 Transmission

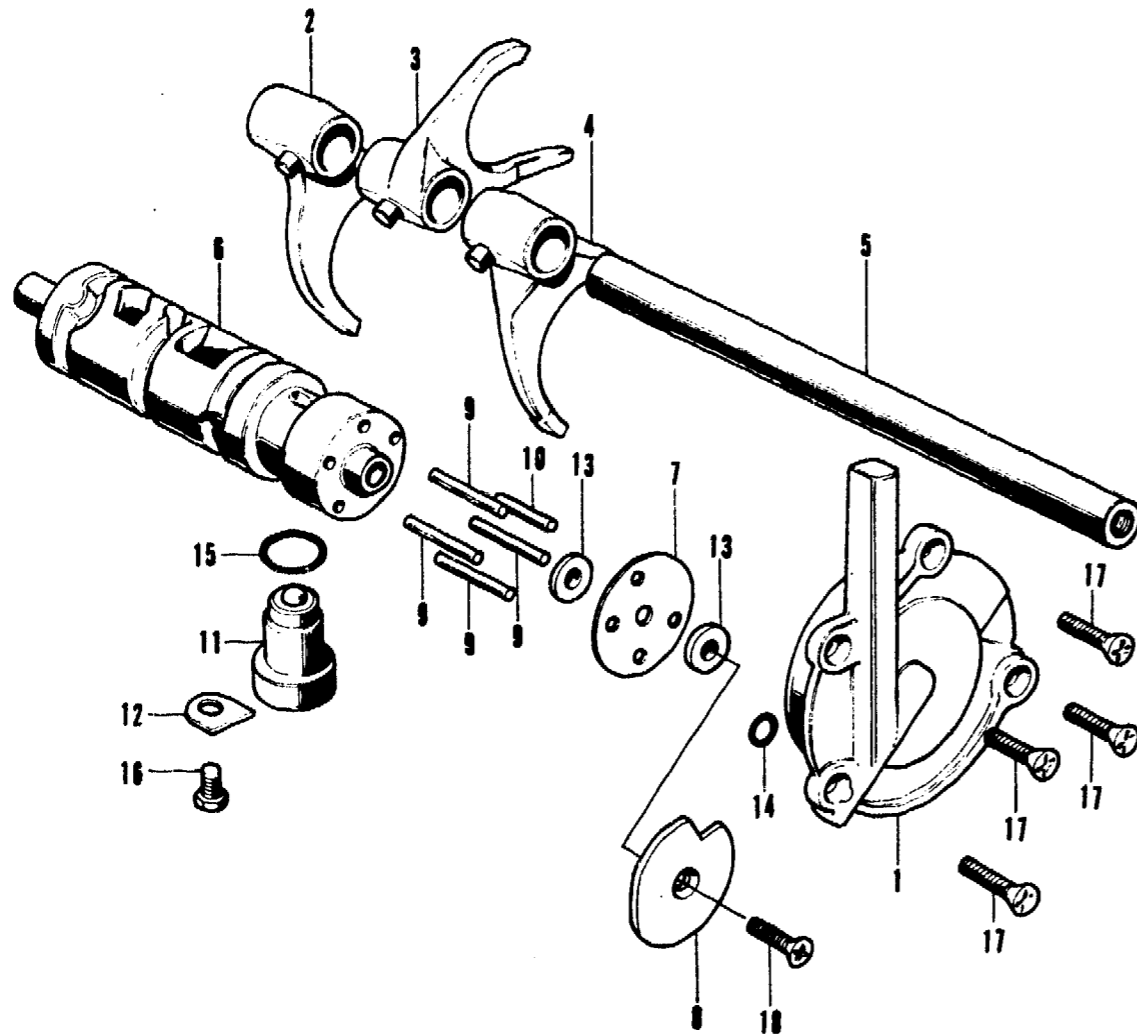
Ref. No.	Part No.	Description	Reqd. No.			Serial No.	Area Code
			CB750	K3	K4		
1	13495-300-000	RING A; BALL BEARING SET	2	2	2		
2	23210-300-000	MAINSHAFT COMP., TRANSMISSION (18T)	1	1	1		
3	23220-300-010	COUNTERSHAFT, TRANSMISSION	1	1	1		
4	23421-300-050	GEAR, COUNTERSHAFT LOW (45T)	1	1	1		
5	23425-300-010	BUSH, 29X14	1	1	1		
6	23431-300-010	GEAR, MAINSHAFT SECOND, THIRD (24T, 27T)	1	1	1		
7	23440-300-010	GEAR, COUNTERSHAFT SECOND (41T)	1	1	1		
8	23450-300-010	GEAR, MAINSHAFT FOURTH (31T)	1	1	1		
9	23460-300-010	GEAR, COUNTERSHAFT THIRD (36T)	1	1	1		
10	23471-300-010	GEAR, COUNTERSHAFT FOURTH (34T)	1	1	1		
11	23481-300-020	GEAR, MAINSHAFT TOP (33T)	1	1	1		
12	23485-300-020	BUSH, 28X20.5	1	1	1		
13	23491-300-010	GEAR, COUNTERSHAFT TOP (31T)	1	1	1		
14	23501-300-030	GEAR, FINAL DRIVE (48T)	1	1	1		
15	90451-300-000	WASHER, THRUST, 25MM	4	4	4		
16	90452-300-000	WASHER, THRUST, 25MM	1	1	1		
17	90458-292-000	WASHER, THRUST, 20MM	1	1	1		
18	90458-506-810	WASHER A, THRUST, 25MM	1	1	1		
19	90601-300-000	CIR CLIP, 25MM	5	5	5		
20	90809-300-300	PLUG, SPECIAL, 10X10	1	1	1		
21	91001-735-000	BEARING, RADIAL BALL, 6304	1	1	1		
22	91002-300-008	BEARING, SPECIAL BALL, 6205	1	1	1		
23	91003-235-000	BEARING, BALL, MC 6305	1	1	1		
24	96100-62040	BEARING, RADIAL BALL, 6204	1	1	1		

Courtesy of  Honda4Fun
www.hondafour.com www.honda4fun.com

E-19 Gear Shift Fork • Drum

E-19 Gear Shift Fork • Drum

Courtesy of Honda4Fun
www.hondafour.com www.honda4fun.com



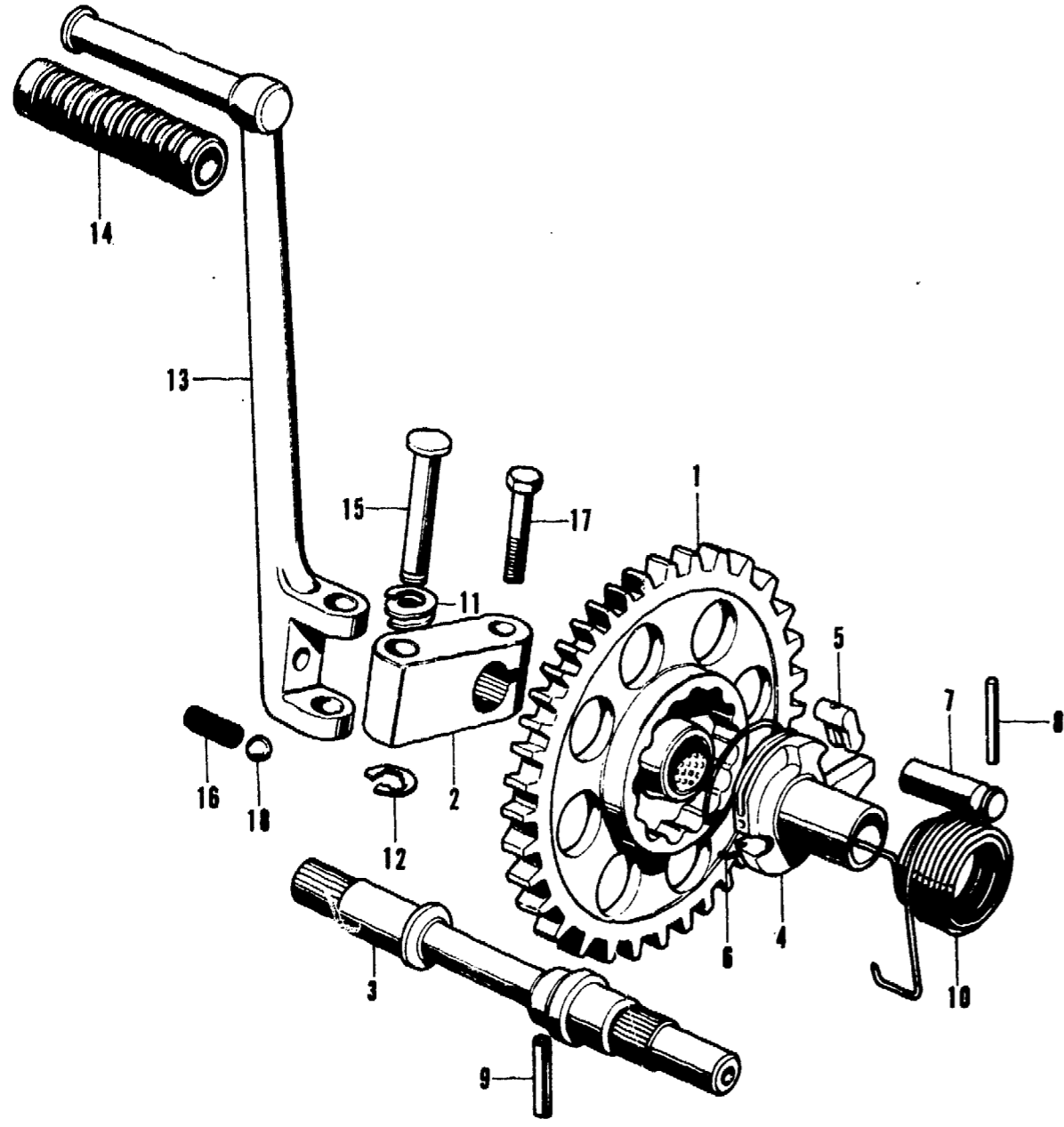
Ref. No.	Part No.	Description	Reqd. No.			Serial No.	Area Code
			CB750	K3	K4		
1	23150-300-010	HOLDER COMP., COUNTERSHAFT BEARING	1	1	1		
2	24211-300-020	FORK, R. GEARSHIFT	1	1	1		
3	24212-300-020	FORK, CENTER GEARSHIFT	1	1	1		
4	24213-300-020	FORK, L. GEARSHIFT	1	1	1		
5	24261-300-030	SHAFT, GEARSHIFT FORK	1	1	1		
6	24301-300-030	DRUM, GEAR SHIFT	1				
	24301-300-040	DRUM, GEAR SHIFT		1		2304500	
					1	2304501	
7	24438-300-000	PLATE, SPACER	1	1	1		
8	24441-300-020	PLATE, NEUTRAL STOPPER	1	1	1		
9	24443-300-000	ROLLER, 4X23.8	4	4	4		
10	24444-300-000	ROLLER, 4X20.6	1	1	1		
11	35752-300-010	SWITCH ASSY., NEUTRAL	1	1	1		
12	35754-300-020	STOPPER, NEUTRAL SWITCH	1	1	1		
13	90436-300-000	WASHER, 20MM	2	2	2		
14	91301-283-000	O-RING, 5X2.4	1	1	1		
15	91311-044-000	O-RING, 18X3	1	1	1		
16	92000-06016	BOLT, HEX., 6X16	1	1	1		
17	93600-06020	SCREW, FLAT, 6X20	4	4	4		
18	93600-06025	SCREW, FLAT, 6X25	1	1	1		

Courtesy of Honda4Fun
www.hondafour.com www.honda4fun.com

E-20 Kick Starter • Spindle

E-20 Kick Starter • Spindle

Courtesy of  Honda4Fun
www.hondafour.com www.honda4fun.com



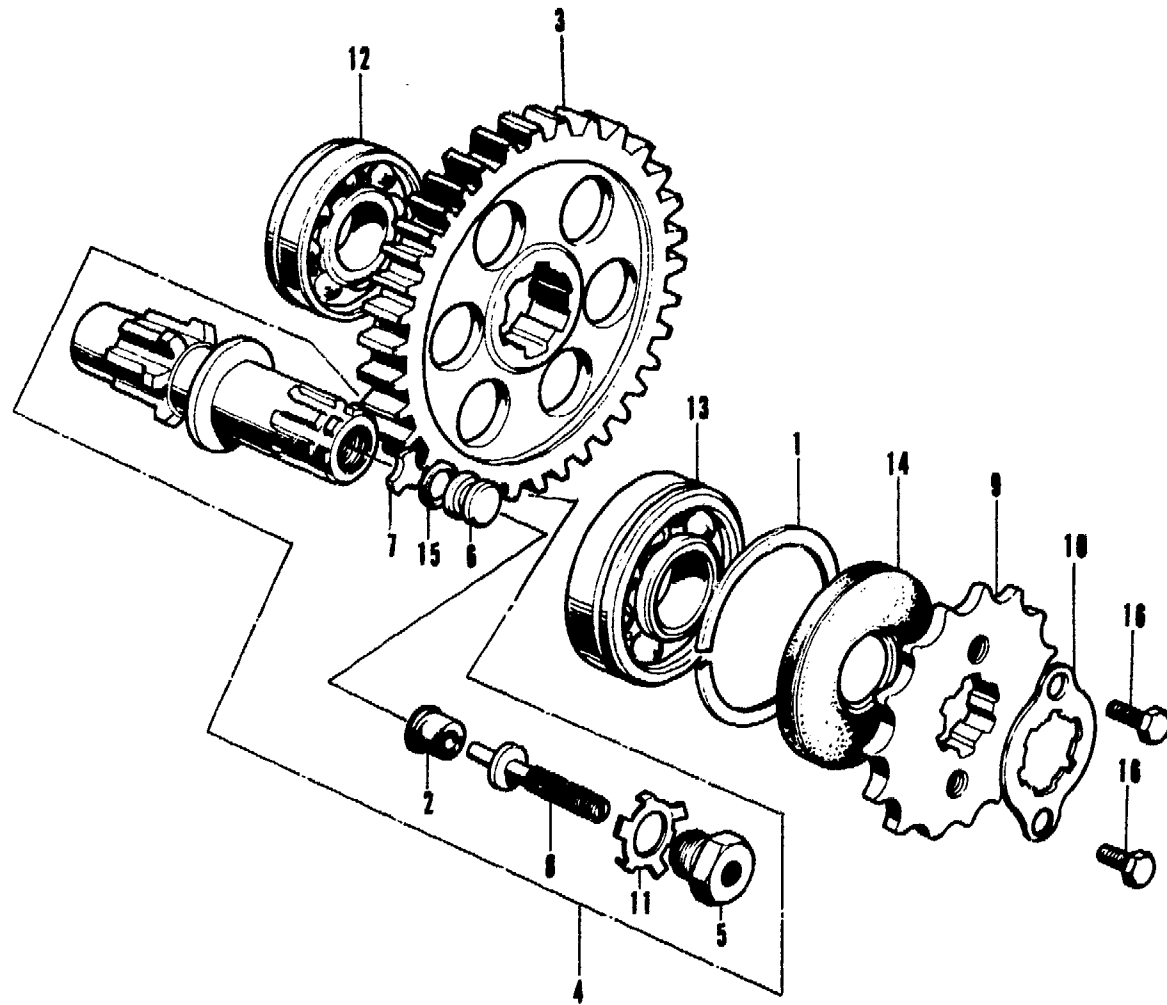
Ref. No.	Part No.	Description	Reqd. No.			Serial No.	Area Code
			CB750	K3	K4		
1	28210-300-000	GEAR, KICK STARTER	1	1	1		
2	28241-300-010	JOINT, KICK STARTER	1	1	1		
3	28250-300-020	SPINDLE, KICK STARTER	1	1	1		
4	28251-300-030	FLANGE, KICK STARTER	1	1	1		
5	28252-300-020	PAWL, KICK STARTER	1	1	1		
6	28253-300-000	SPRING, KICK STARTER RACHET	1	1	1		
7	28254-300-000	PIN, KICK STOPPER	1	1	1		
8	28255-300-000	PIN, 4X37	1	1	1		
9	28256-300-000	PIN, 6X35	1	1	1		
10	28261-300-010	SPRING, KICK STARTER RETURN	1	1	1		
11	28292-250-010	SPRING, KICK STARTER	1	1	1		
12	28293-250-000	CLIP, KICK STARTER KNUCKLE PIN	1	1	1		
13	28300-300-000	ARM ASSY., KICK STARTER	1	1	1		
14	28311-329-000	RUBBER, KICK STARTER	1	1	1		
15	28321-300-000	PIN, KICK STARTER KNUCKLE	1	1	1		
16	28333-300-000	SPRING, KICK STARTER STOPPER	1	1	1		
17	92000-08028-0A	BOLT, HEX., 8X28	1	1	1		
18	96211-08000	BALL, STEEL, #8	1	1	1		

Courtesy of  Honda4Fun
www.hondafour.com www.honda4fun.com

E-21 Final Driven Shaft - Drive Sprocket

E-21 Final Driven Shaft - Drive Sprocket

Courtesy of  Honda4Fun
www.hondafour.com www.honda4fun.com



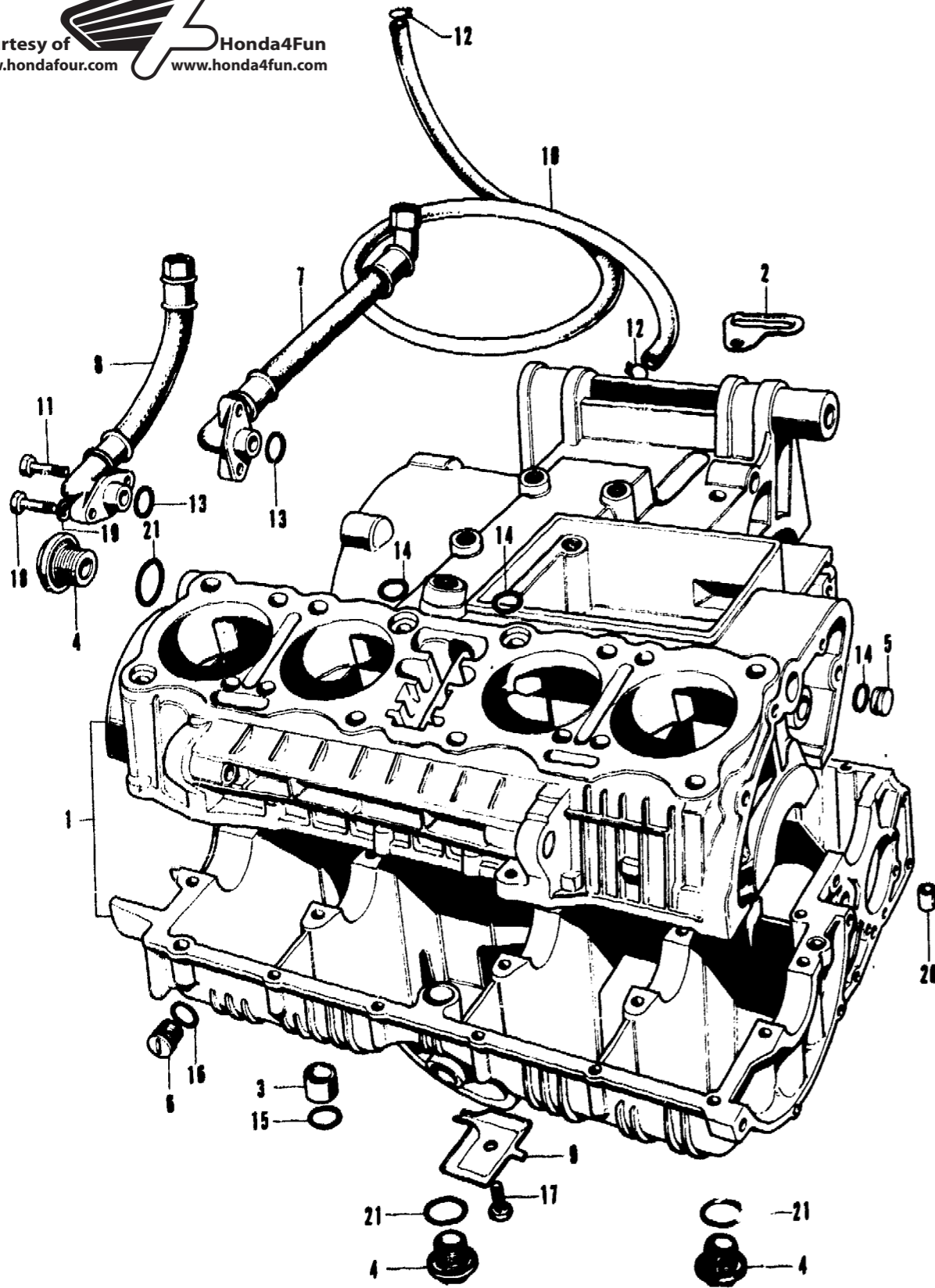
Ref. No.	Part No.	Description	Reqd. No.			Serial No.	Area Code
			CB750	K3	K4		
1	13491-300-000	RING, BEARING SET, 66.5MM	1	1	1		
2	23314-319-300	RUBBER, ORIFICE	1	1	1		
3	23511-300-020	GEAR, FINAL DRIVEN (56T)	1	1	1		
4	23520-300-030	SHAFT, FINAL DRIVEN	1	1	1		
5	23523-300-310	PLUG, FINAL SHAFT	1	1	1		
6	23524-300-310	ELEMENT, OIL RESERVE	1	1	1		
7	23525-300-000	PLATE, STOPPER	1	1	1		
8	23526-300-300	SCREW, ADJUSTING	1	1	1		
9	23801-300-620	SPROCKET, DRIVE (18T)	1	1	1		
10	23811-292-000	PLATE, DRIVE SPROCKET FIXING	1	1	1		
11	90433-300-010	WASHER, LOCK, 14MM	1	1	1		
12	91006-300-008	BEARING, SPECIAL BALL, 6205	1	1	1		
13	91008-300-008	BEARING, BALL, 5206	1	1	1		
14	91205-300-005	OIL SEAL, 25X62X7	1	1	1		
15	91313-300-003	O-RING, 6.4X3.0	1	1	1		
16	92000-06016	BOLT, HEX., 6X16	2	2	2		

Courtesy of  Honda4Fun
www.hondafour.com www.honda4fun.com

E-22 Crankcase

E-22 Crankcase

Courtesy of  Honda4Fun
www.hondafour.com www.honda4fun.com

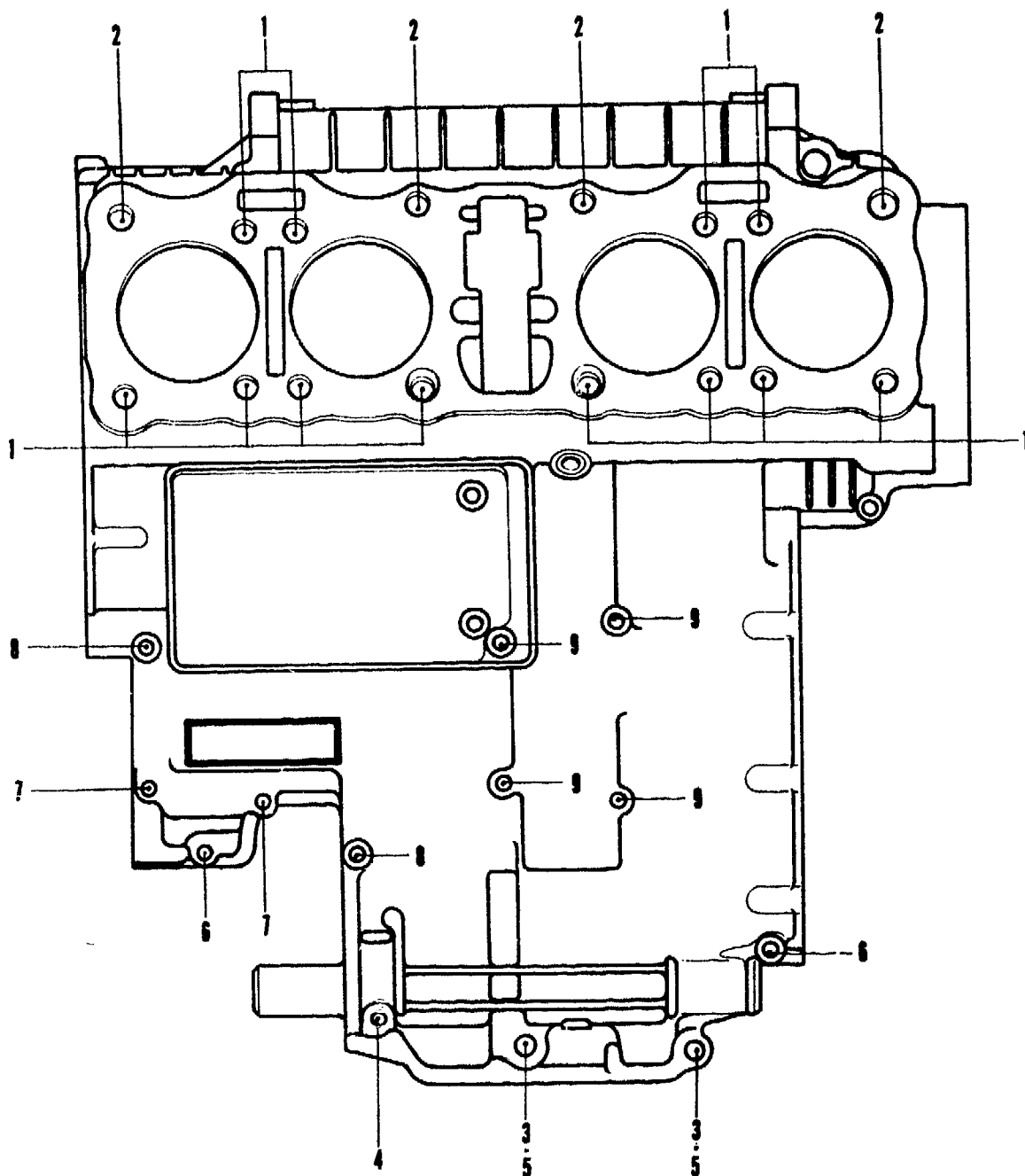


Ref. No.	Part No.	Description	Reqd. No.			Serial No.	Area Code
			CB750	K3	K4		
1	11010-300-110	CRANKCASE SET 11000-300-305	1	1	1		
2	11355-300-000	GUIDE, OVER FLOW	1	1	1		
3	15326-300-000	COLLAR, OIL PATH, 18MM	1	1	1		
4	15331-300-000	CAP, OIL PATH	3	3	3		
5	15336-300-010	PLUG, OIL PATH	1	1	1		
6	15337-300-010	PLUG, OIL TUBE	1	1	1		
7	15510-300-017	HOSE A COMP., OIL	1	1	1		
8	15520-300-007	HOSE B COMP., OIL	1	1	1		
9	15621-300-000	GUIDE, FINAL SHAFT OIL	1	1	1		
10	15761-300-020	TUBE A, BREATHER	1	1	1		
11	90040-300-000	BOLT, SPECIAL, 6X25	1	1	1		
12	90603-300-000	CLIP, FUEL TUBE, 9.7MM	2	2	2		
13	91304-028-000	O-RING, 15X2.5	2	2	2		
14	91309-035-000	O-RING, 11X2.5	3	3	3		
15	91311-044-000	O-RING, 18X3	1	1	1		
16	91319-300-000	O-RING, 13X2.5	1	1	1		
17	92000-06016	BOLT, HEX., 6X16	1	1	1		
18	92000-06025	BOLT, HEX., 6X25	3	3	3		
19	94101-06000	WASHER, PLAIN, 6MM	4	4	4		
20	94301-10160	PIN A, DOWEL, 10X16	2	2	2		
21	94608-40000	O-RING, 19.4X2.8	3	3	3		

Courtesy of  Honda4Fun
www.hondafour.com www.honda4fun.com

E-23 Bolt · Washer (Upper crankcase)

E-23 Bolt · Washer (Upper crankcase)



Ref. No.	Part No.	Description	Reqd. No.			Serial No.	Area Code
			CB750	K3	K4		
1	90033-300-020	BOLT, A, CYLINDER STUD 90033-300-030	12				
			12			2304500	
	90033-300-030	BOLT A, CYLINDER STUD	12			2304501	
				12			
2	90034-300-020	BOLT B, CYLINDER STUD 90034-300-030	4				
			4			2304500	
	90034-300-030	BOLT B, CYLINDER STUD	4			2304501	
				4			
3	90046-300-000	BOLT, HEX., 8X56	2	2	2		
4	90048-300-000	BOLT, HEX., 10X82	1	1	1		
5	90485-035-000	WASHER, 14MM	2	2	2		
6	95700-06040	BOLT, FLANGE, 6X40	2	2	2		
7	95700-06056	BOLT, FLANGE, 6X56	2	2	2		
8	95700-06080	BOLT, FLANGE, 6X80	2	2	2		
9	95700-06100	BOLT, FLANGE, 6X100	4	4	4		

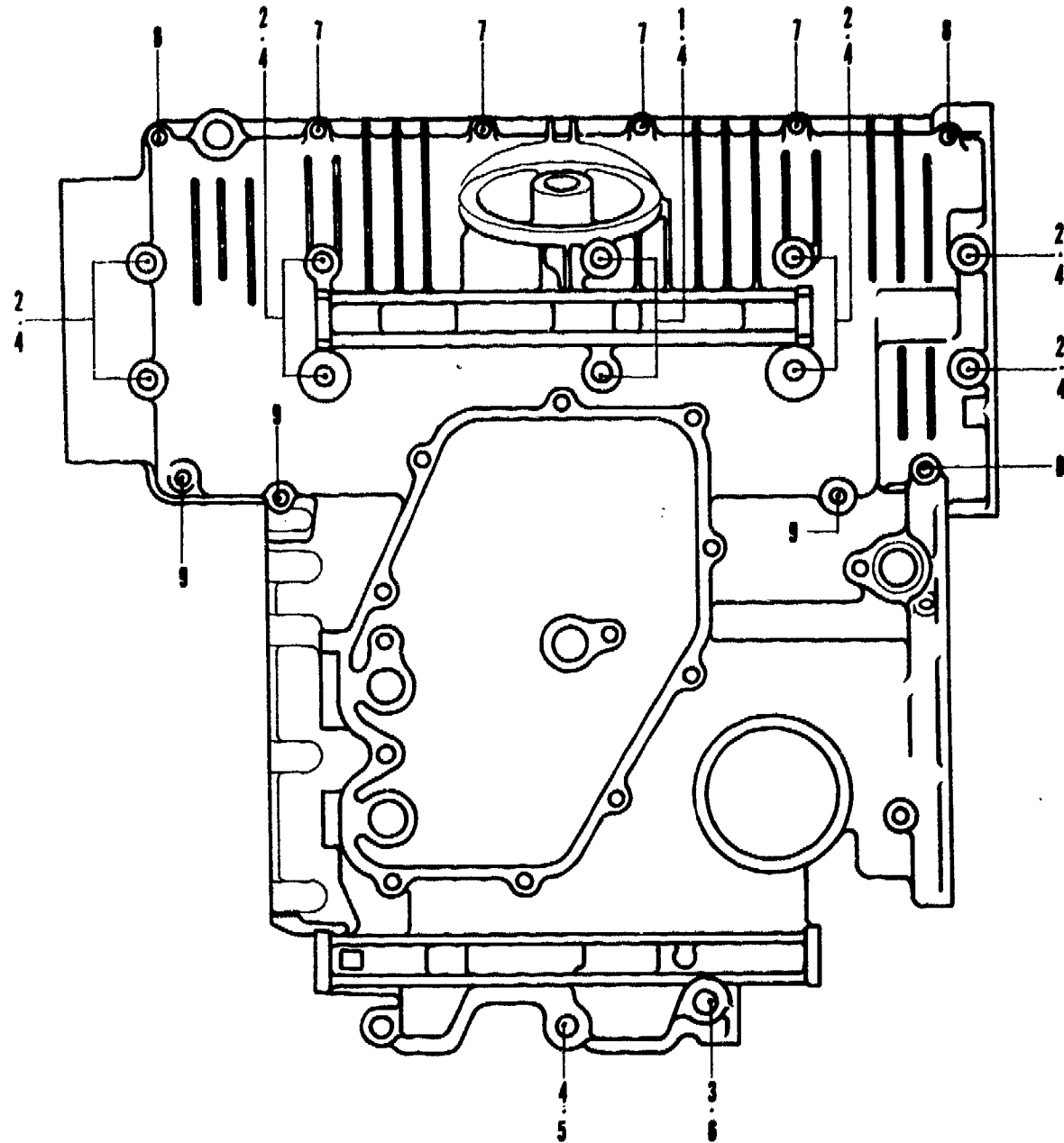


E-24 Bolt - Washer (Lower crankcase)

E-24 Bolt - Washer (Lower crankcase)

Courtesy of  Honda4Fun
 www.hondafour.com www.honda4fun.com

Ref. No.	Part No.	Description	Reqd. No.			Serial No.	Area Code
			CB750 K3	K4	K5		
1	90041-300-000	BOLT, HEX., 8X140	2	2	2		
2	90042-300-000	BOLT, HEX., 8X120	8	8	8		
3	90403-300-000	WASHER, 10X2.3	1	1	1		
4	90485-035-000	WASHER, 14MM	11	11	11		
5	94001-08000-0S	NUT, HEX., 8MM	1	1	1		
6	94001-10000-0S	NUT, HEX., 10MM	1	1	1		
7	95700-06040	BOLT, FLANGE, 5X40	4	4	4		
8	95700-06050	BOLT, FLANGE, 6X50	3	3	3		
9	95700-06100	BOLT, FLANGE, 6X100	3	3	3		

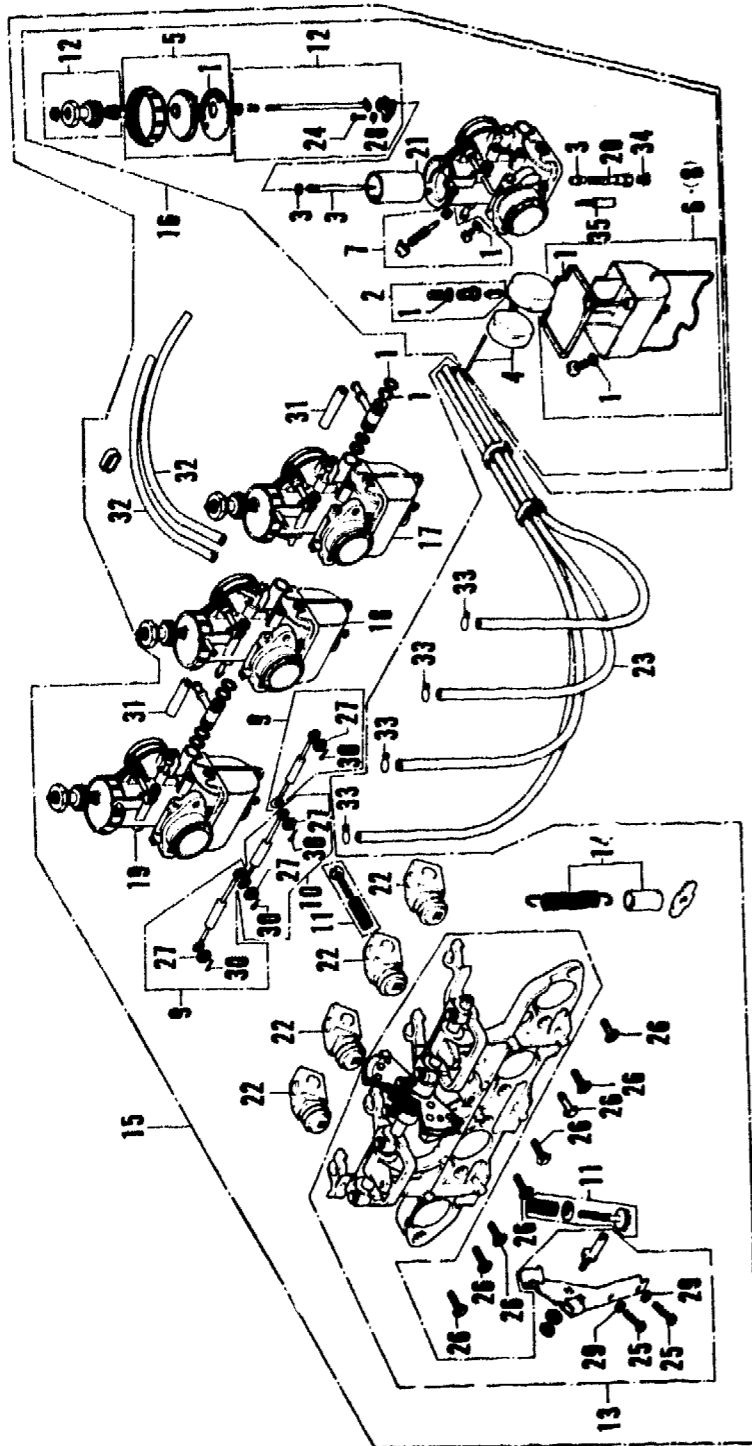


Courtesy of  Honda4Fun
 www.hondafour.com www.honda4fun.com

E-25 Carburetor

E-25 Carburetor

Courtesy of Honda4Fun
www.hondafour.com www.honda4fun.com



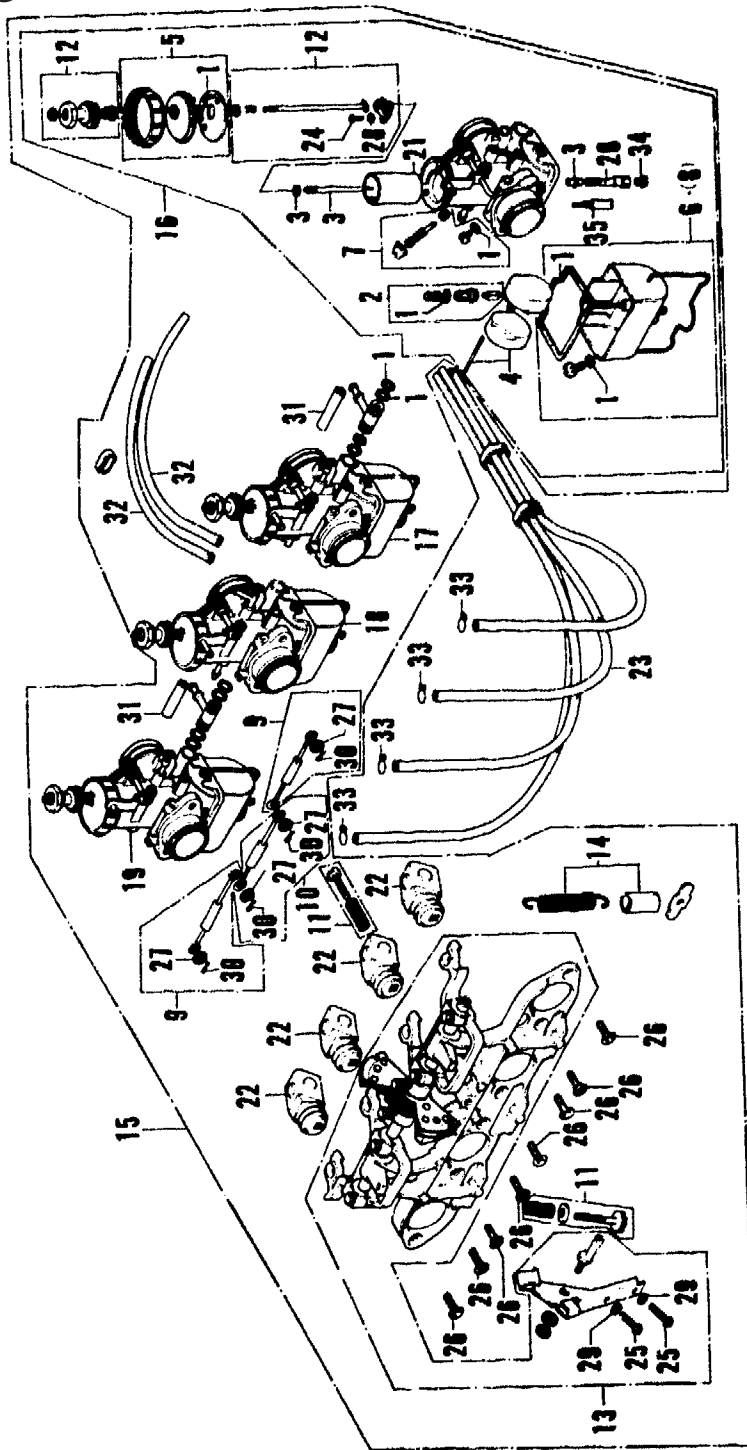
Ref. No.	Part No.	Description	Reqd. No.			Serial No.	Area Code
			CB750	K3	K4		
1	16010-300-014	GASKET SET	4	4	4		
2	16011-302-004	VALVE SET, FLOAT (KEIHIN)	4	4	4		
3	16012-300-014	NEEDLE SET, JET	4	4	4		
4	16013-300-004	FLOAT SET	4	4	4		
5	16014-300-014	TOP SET	4	4	4		
6	16015-300-004	CHAMBER SET A, FLOAT	2	2	2		
7	16016-300-024	SCREW SET A	4	4	4		
8	16023-300-004	CHAMBER SET B, FLOAT	2	2	2		
9	16025-300-004	ROD SET A, CHOKE	2	2	2		
10	16026-300-004	ROD SET B, CHOKE	1	1	1		
11	16028-300-004	SCREW SET B	1	1	1		
12	16032-300-004	ROD SET, THROTTLE	4	4	4		
13	16035-300-004	PLATE SET, STAY	1	1	1		
14	16036-300-004	TUBE SET, PROTECT	1	1	1		
15	16100-300-034	CARBURETOR ASSY.	1	1			
	16100-300-670	CARBURETOR ASSY.			1		
16	16101-300-034	CARBURETOR ASSY. A	1				
	16101-300-044	CARBURETOR ASSY. A		1		2304501	2304500
	16101-300-670	CARBURETOR ASSY. 1			1		
17	16102-300-034	CARBURETOR ASSY. B	1				
	16102-300-044	CARBURETOR ASSY. B		1		2304501	2304500
	16102-300-670	CARBURETOR ASSY. 2			1		
18	16103-300-034	CARBURETOR ASSY. C	1				
	16103-300-044	CARBURETOR ASSY. C		1		2304501	2304500
	16103-300-670	CARBURETOR ASSY. 3			1		
19	16104-300-034	CARBURETOR ASSY. D	1				
	16104-300-044	CARBURETOR ASSY. D		1		2304501	2304500
	16104-300-670	CARBURETOR ASSY. 4			1		
20	16139-300-004	HOLDER, NEEDLE JET	4	4	4		
21	16141-300-014	VALVE, THROTTLE	4	4	4		
22	16154-300-004	CAP, DUST	4	4	4		
23	16290-300-010	TUBE, OVER FLOW	1	1	1		

Courtesy of Honda4Fun
www.hondafour.com www.honda4fun.com

E-25 Carburetor

E-25 Carburetor

Courtesy of  Honda4Fun
www.honda4fun.com

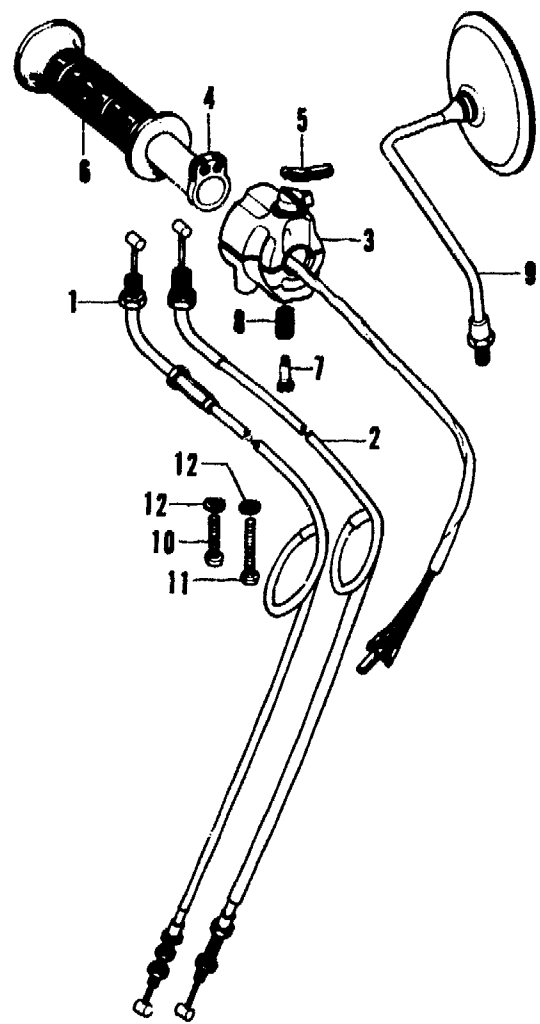


Ref. No.	Part No.	Description	Reqd. No.			Serial No.	Area Code
			CB750 K3	K4	K5		
24	93500-03010-0A	SCREW, PAN, 3X10	8	8	8		
25	93500-06012	SCREW, PAN, 6X12	2	2	2		
26	93600-06016	SCREW, FLAT, 6X16	8	8	8		
27	94101-05000	WASHER, PLAIN, 5MM	4	4	4		
28	94111-03000	WASHER, SPRING, 3MM	8	8	8		
29	94111-06000	WASHER, SPRING, 6MM	2	2	2		
30	94201-10080	PIN, SPLIT, 1.0X10	4	4	4		
31	95001-35026-40	TUBE, 3.5X26	2	2	2		
32	95001-35240-40	TUBE, FUEL, 3.5X240	2	2	2		
33	95002-02070	CLIP B7, TUBE	4	4	4		
34	99114-246-1100	JET, MAIN (#110)	4				
	99114-246-1050	JET, MAIN (#105)	4			2304501	2304500
35	99124-076-0400	JET, SLOW, (#40)	4	4	4		

Courtesy of  Honda4Fun
www.honda4fun.com

F-1 R/H Handle Switch • Cable

F-1 R/H Handle Switch • Cable



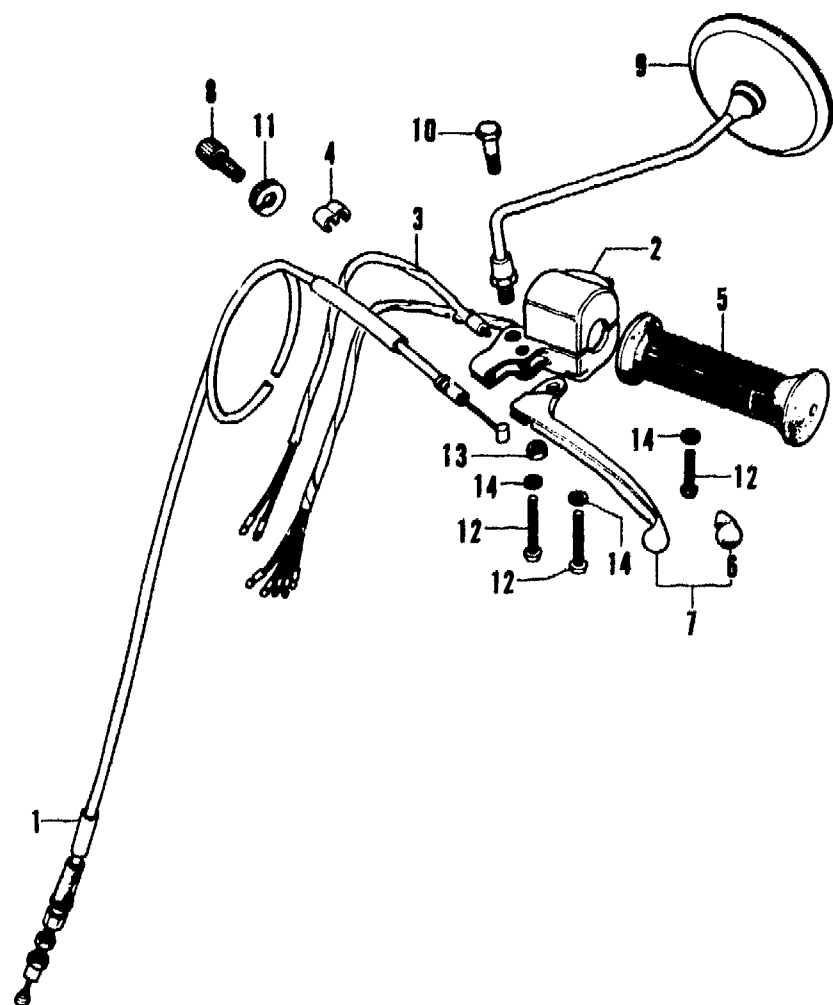
Ref. No.	Part No.	Description	Reqd. No.			Serial No.	Area Code
			CB750	K3	K4		
1	17910-341-000	CABLE COMP. A> THROTTLE	1	1	1		
2	17920-341-000	CABLE COMP. B> THROTTLE	1	1	1		
3	35300-341-671	SWITCH ASSY.> STARTER LIGHTING & KILL	1	1			
	35150-374-671	SWITCH ASSY.> STARTER KILL				1	
4	53141-300-010	PIPE> THROTTLE GRIP	1	1	1		
5	53163-300-020	ADJUSTER> THROTTLE GRIP	1	1			
6	53165-342-670	RUBBER> R. GRIP	1	1	1		
7	53190-300-000	BOLT> THROTTLE GRIP ADJUSTING	1	1			
8	53191-300-000	SPRING> THROTTLE ADJUSTER	1	1			
9	88100-333-004	MIRROR> R. BACK	1	1	1		
10	93500-05025-0A	SCREW> PAN. 5X25	1	1	1		
11	93500-05032-0A	SCREW> PAN. 5X32	1	1	1		
12	94111-05000	WASHER> SPRING 5MM	2	2	2		



L 13

F-2 L/H Handle Switch - Cable

F-2 L/H Handle Switch - Cable



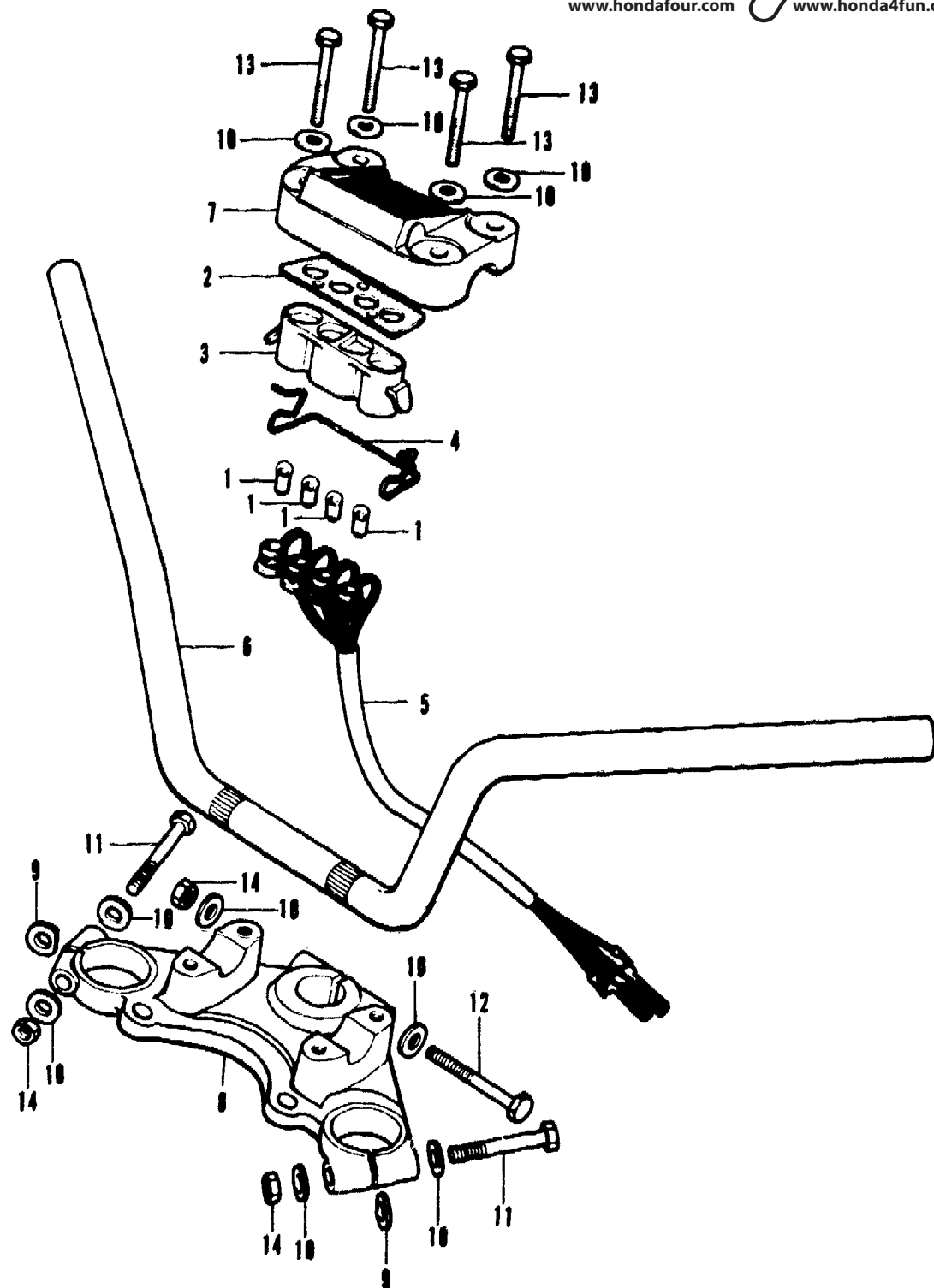
Ref. No.	Part No.	Description	Reqd. No.			Serial No.	Area Code
			CB750	K3	K4		
1	22870-341-010	CABLE COMP., CLUTCH	1	1	1		
2	35250-341-678	SWITCH ASSY., WINKER HORN	1	1			
	35200-374-671	SWITCH ASSY., WINKER HORN			1		
3	35360-341-000	SWITCH ASSY., CLUTCH LEVER	1	1	1		
4	45465-341-700	CLIP, WIRE	1	1	1		
5	53166-342-670	RUBBER, L. GRIP	1	1	1		
6	53180-286-000	CAP, CONTROL LEVER	1	1			2436284
7	53190-286-670	LEVER COMP., L. STEERING HANDLE	1	1			2436284
	53190-369-700	LEVER COMP., L. STEERING HANDLE	1	1			2436285
8	53192-268-000	BOLT, CLUTCH WIRE ADJUSTING	1	1	1		
9	88120-333-004	MIRROR, L. BACK	1	1	1		
10	90114-268-020	BOLT, HANDLE LEVER PIVOT	1	1	1		
11	90321-315-670	NUT, FIXING	1	1	1		
12	93500-05028-0A	SCREW, PAN, 5X28	3	3	3		
13	94001-06000	NUT, HEX., 6MM	1	1	1		
14	94111-05000	WASHER, SPRING, 5MM	3	3	3		



F-3 Handle • Top Bridge

F-3 Handle • Top Bridge

Courtesy of  Honda4Fun
www.hondafour.com www.honda4fun.com

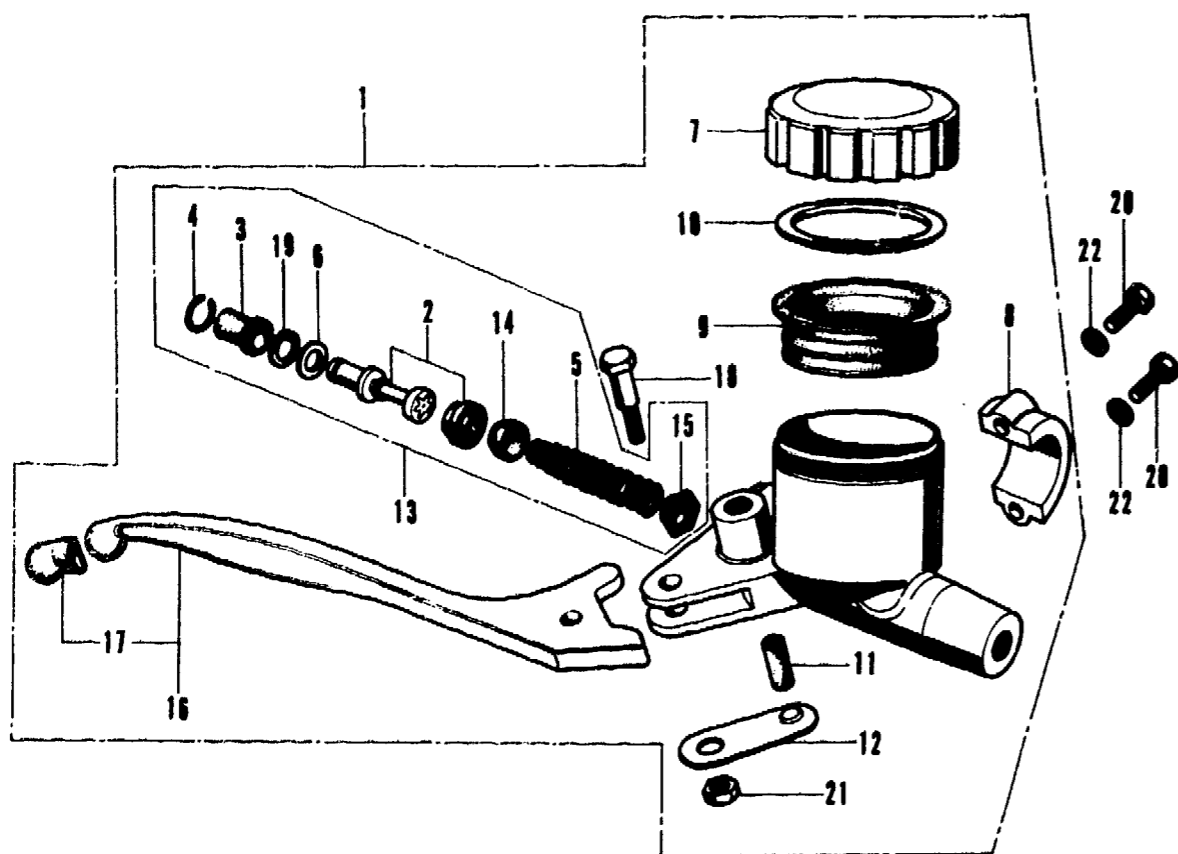


Ref. No.	Part No.	Description	Reqd. No.			Serial No.	Area Code
			CB750	K3	K4		
1	34902-259-000	BULB, DUSH (12V 3.4W)	4	4	4		
2	37576-323-000	BASE, LAMP SOCKET	1	1	1		
3	37577-341-000	SOCKET, PILOT LAMP	1	1	1		
4	37579-341-010	SPRING, LAMP SOCKET SET	1	1	1		
5	37581-323-000	CORD COMP., PILOT LAMP	1	1			
	37581-374-670	CORD COMP., PILOT LAMP			1		
6	53100-341-700	PIPE, STEERING HANDLE	1	1	1		
7	53133-323-000	HOLDER, UPPER	1	1			
	53133-374-670	HOLDER, UPPER			1		
8	53230-341-700	BRIDGE, FORK TOP	1	1	1		
9	53235-300-000	SPACER, FORK TOP BRIDGE	2	2	2		
10	90555-283-000	WASHER, SPECIAL, 8MM	10	10	10		
11	92000-08056-08	BOLT, HEX., 8X56	2	2	2		
12	92000-08074-08	BOLT, HEX., 8X74	1	1	1		
13	93100-08040-08	BOLT, HEX., 8X40	4	4	4		
14	94001-08020-0S	NUT, HEX., 8MM	3	3	3		

F-4 Brake Master Cylinder

F-4 Brake Master Cylinder

Courtesy of Honda4Fun
 www.hondafour.com www.honda4fun.com



Ref. No.	Part No.	Description	Reqd. No.			Serial No.	Area Code
			CB750	K3	K4		
1	45500-341-770	CYLINDER ASSY., MASTER	1				
	45500-341-771	CYLINDER ASSY., MASTER		1	1		
2	45502-300-305	PISTON SET	1	1	1		
3	45504-300-003	BOOT	1	1	1		
4	45505-300-003	STOPPER, BOOT	1	1	1		
5	45506-300-003	SPRING COMP.	1	1	1		
6	45512-300-003	WASHER, 10.5MM	1	1	1		
7	45513-341-770	CAP, OIL CUP	1				
	45513-341-771	CAP, OIL CUP		1	1		
8	45517-300-003	HOLDER, MASTER CYLINDER	1	1	1		
9	45520-300-000	DIAPHRAGM	1	1	1		
10	45521-300-010	PLATE, DIAPHRAGM	1	1	1		
11	45526-341-000	BUSH, R. HANDLE LEVER	1	1	1		
12	45527-300-000	PLATE, LEVER BUSH SETTING	1	1	1		
13	45530-377-305	CYLINDER SET, MASTER	1	1	1		
14	46125-533-003	CUP, PRIMARY	1	1	1		
15	46140-533-003	VALVE, CHECK	1	1	1		
16	53170-300-000	LEVER COMP., R. STEERING HANDLE	1	1	1		
17	53180-286-000	CAP, CONTROL LEVER	1				2436284
18	90114-300-000	BOLT, HANDLE LEVER PIVOT	1	1	1		
19	90651-377-003	CIR CLIP, INTERNAL, 18MM	1	1	1		
20	92000-06025-02	BOLT, HEX., 6X25	2	2	2		
21	94002-06000	NUT, HEX., 6MM	1	1	1		
22	94101-06000	WASHER, PLAIN, 6MM	2	2	2		

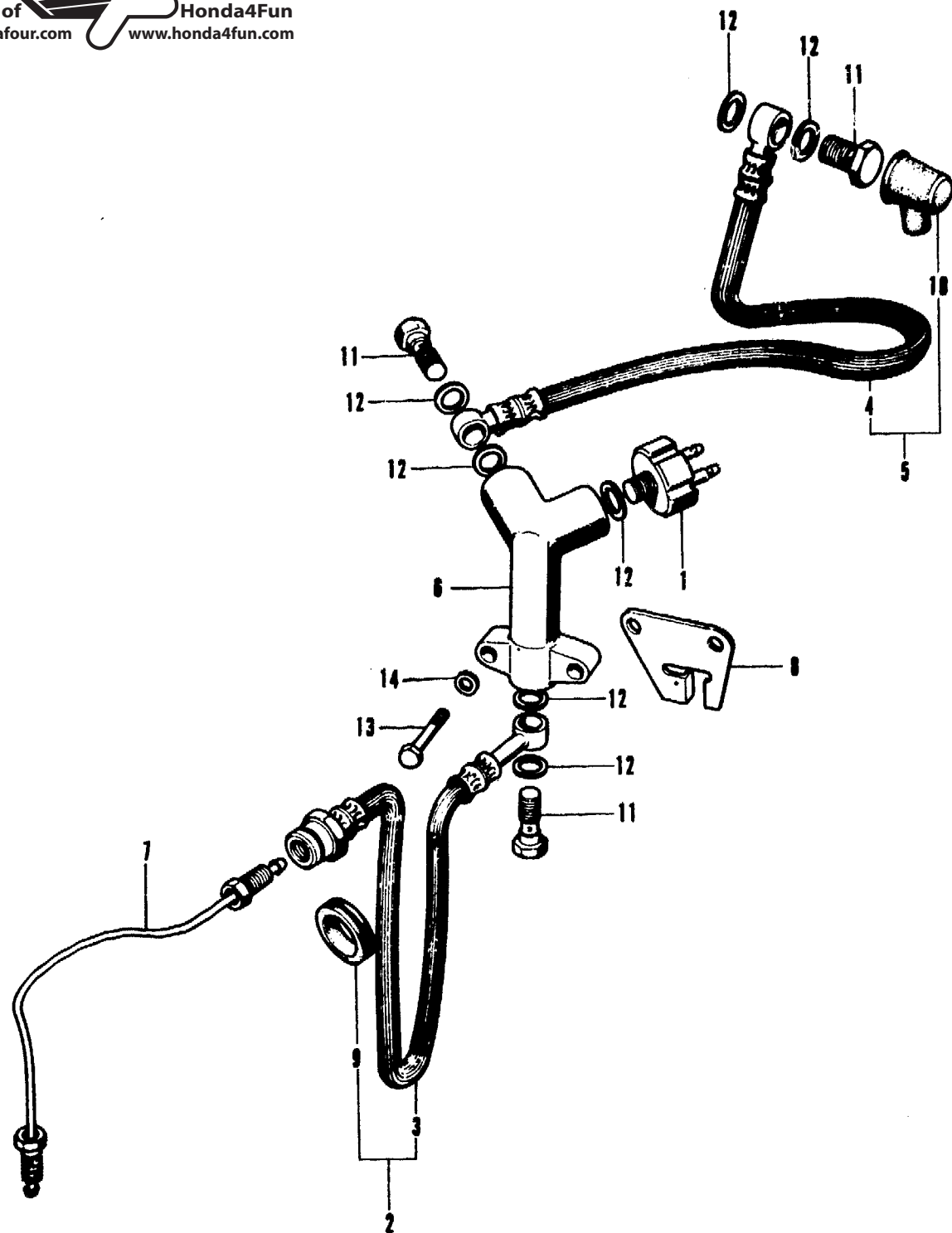
Courtesy of Honda4Fun
 www.hondafour.com www.honda4fun.com

L 16

F-5 Front Brake Hose

F-5 Front Brake Hose

Courtesy of  Honda4Fun
www.hondafour.com www.honda4fun.com



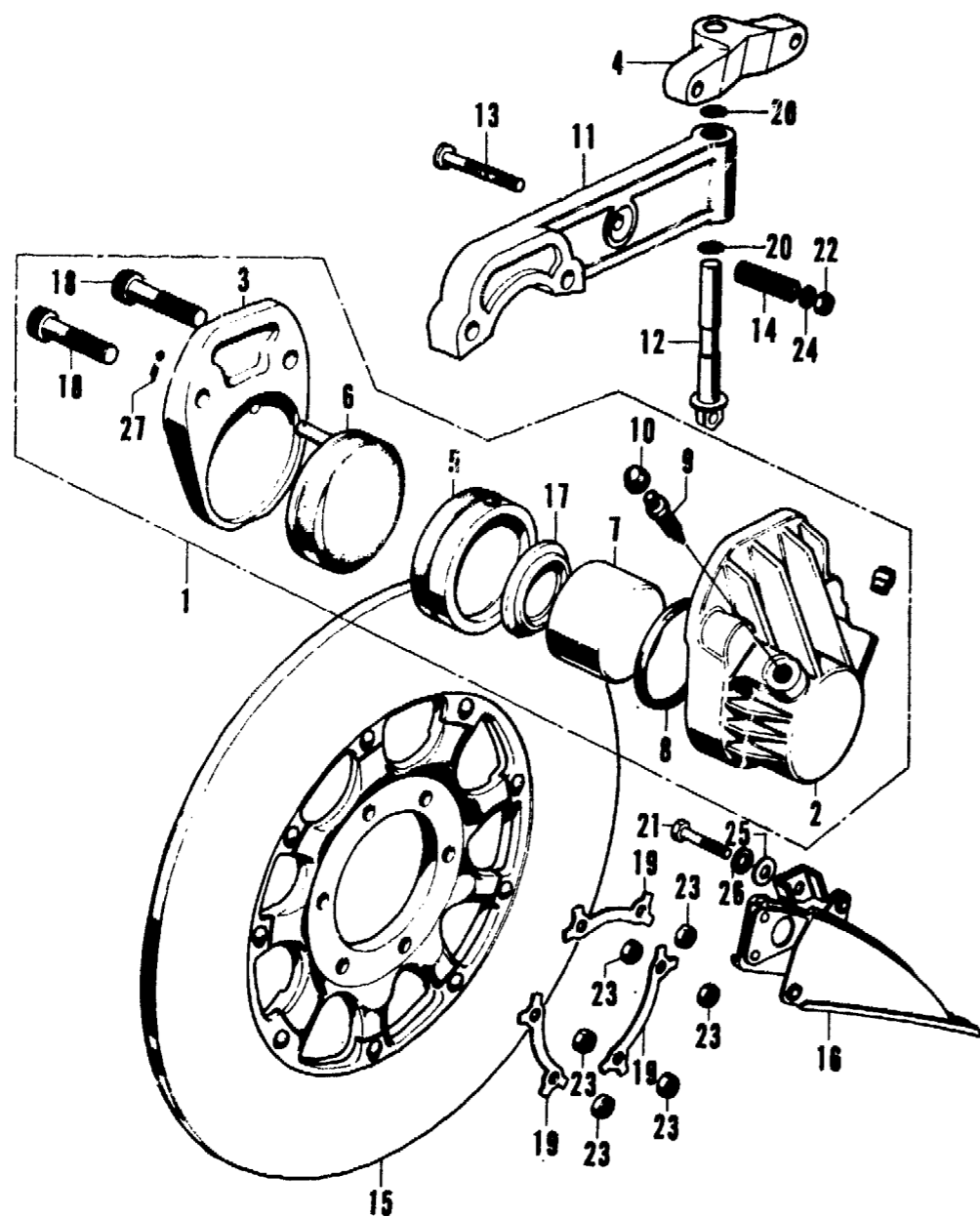
Ref. No.	Part No.	Description	Reqd. No.			Serial No.	Area Code
			CB750	K3	K4		
1	35350-300-016	SWITCH, STOP (NAILS)	1	1	1		
2	45125-300-003	HOSE ASSY. A; FR. BRAKE (NICHIRIN)			1	2528015	
3	45125-300-020	HOSE A; FR. BRAKE	1	1	1		2528014
4	45126-341-000	HOSE B; FR. BRAKE 45126-341-003	1	1	1		2528014
5	45126-341-003	HOSE ASSY. B; FR. BRAKE (NICHIRIN)			1	2528015	
6	45127-300-020	JOINT, THREE WAY	1	1	1		
7	45128-341-670	PIPE B; FR. BRAKE	1	1	1		
8	45129-300-000	GUIDE; FR. BRAKE HOSE	1	1	1		
9	45146-300-000	GROMMET; BRAKE HOSE	1	1	1		
10	45522-300-010	BOOT; MASTER CYLINDER	1	1	1		
11	90145-300-000	BOLT; OIL	3	3	3		
12	90545-300-000	WASHER; OIL BOLT	7	7	7		
13	92000-06028	BOLT; HEX.; 6X28	2	2	2		
14	94111-06000	WASHER; SPRING; 6MM	2	2	2		

B300-44A

Courtesy of  Honda4Fun
www.hondafour.com www.honda4fun.com

F-6 Front Brake Caliper - Disk

F-6 Front Brake Caliper - Disk Caliper



Ref. No.	Part No.	Description	Reqd. No.			Serial No.	Area Code
			CB750	K3	K4		
1	45100-341-003	CALIPER ASSY. (TOKIKO)	1	1	1		
2	45101-300-053	CALIPER A (TOKIKO)	1	1	1		
3	45102-300-043	CALIPER B (TOKIKO)	1	1	1		
4	45104-317-700	JOINT, CALIPER HOLDER	1	1	1		
5	45105-341-000	PAD COMP. A	1	1	1		
6	45106-341-000	PAD B	1	1	1		
7	45107-300-003	PISTON (TOKIKO)	1	1	1		
8	45108-300-003	SEAL, PISTON (TOKIKO)	1	1	1		
9	45109-300-003	BLEEDER	1	1	1		
10	45110-300-003	CAP, BLEEDER SCREW (TOKIKO)	1	1	1		
11	45115-341-670	HOLDER, CALIPER	1	1	1		
12	45116-323-020	PIN, CALIPER HOLDER	1	1	1		
13	45117-341-700	BOLT, CALIPER ADJUSTING	1	1	1		
14	45119-300-020	SPRING, CALIPER ADJUSTING	1	1	1		
15	45120-341-000	DISK COMP., FR. BRAKE	1	1	1		
16	45140-341-670	COVER COMP., DISK	1	1	1		
17	45151-300-000	SEAT, PAD	1	1	1		
18	90165-300-023	BOLT, CALIPER SETTING (TOKIKO)	2	2	2		
19	90522-300-010	WASHER, TONGUED, 8MM	3	3	3		
20	91259-300-000	O-RING, 10X1.7	2	2	2		
21	92200-08035-0A	BOLT, HEX., 8X35	1	1	1		
22	94001-06000	NUT, HEX., 6MM	1	1	1		
23	94001-08000-0S	NUT, HEX., 8MM	6	6	6		
24	94101-06000	WASHER, PLAIN, 6MM	1	1	1		
25	94101-08000	WASHER, PLAIN, 8MM	1	1	1		
26	94111-08000	WASHER, SPRING, 8MM	1	1	1		
27	94201-16120	PIN, SPLIT, 1.6X12	1	1	1		

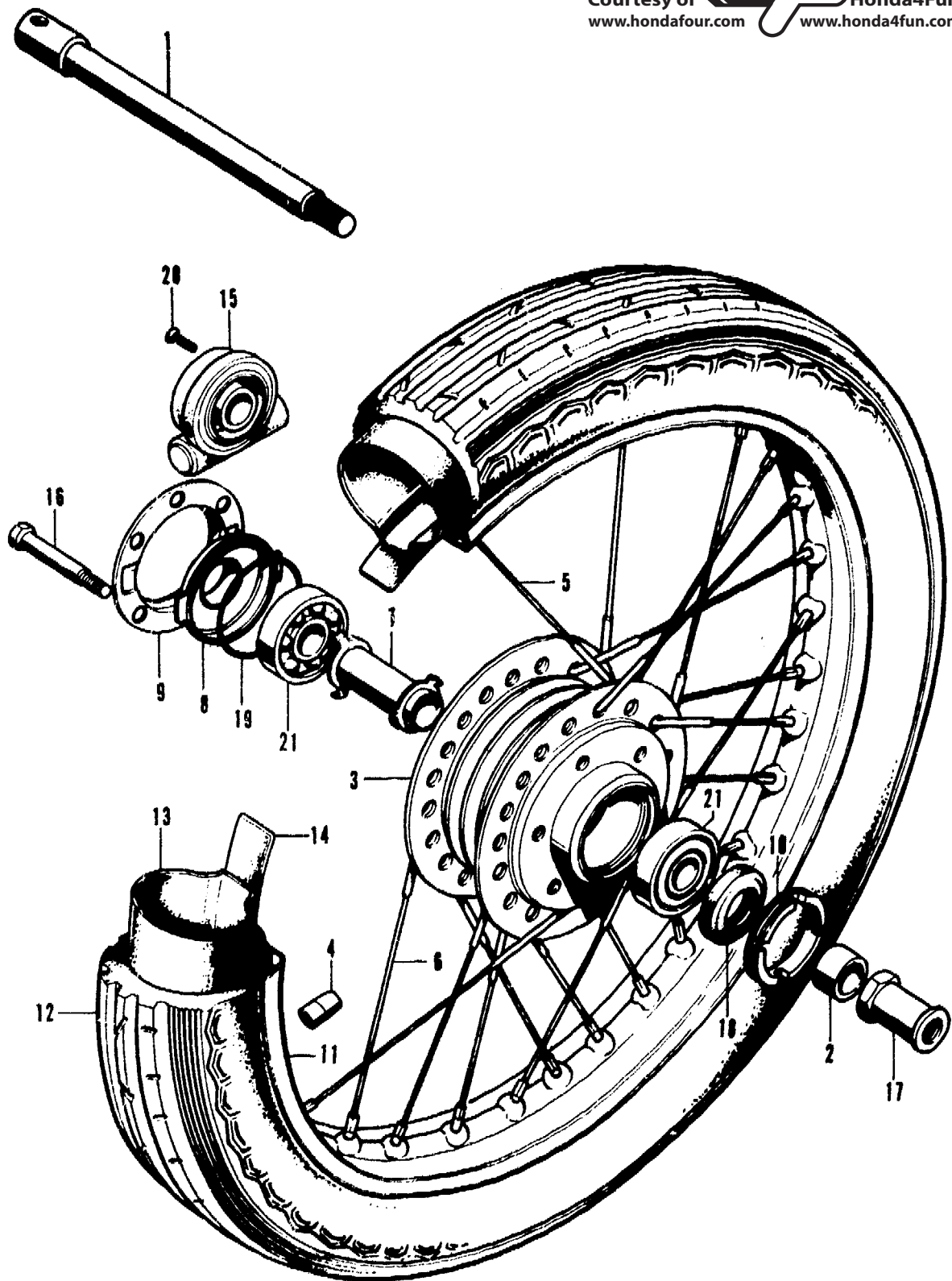


M 2

F-7 Front Wheel

F-7 Front Wheel

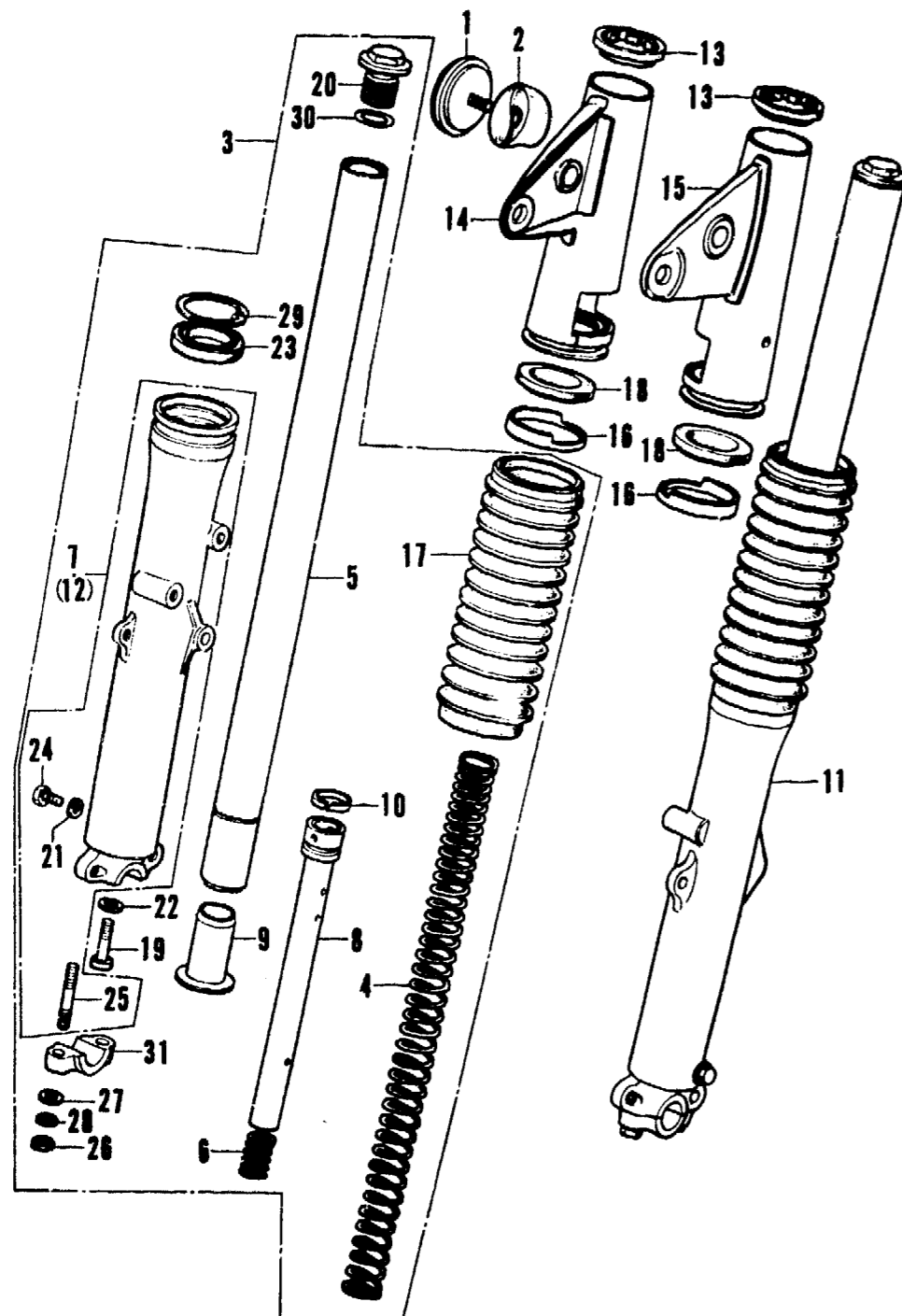
Courtesy of  Honda4Fun
www.hondafour.com www.honda4fun.com



Ref. No.	Part No.	Description	Reqd. No.			Serial No.	Area Code
			CB750 K3	K4	K5		
1	44301-300-000	AXLE, FR. WHEEL	1	1	1		
2	44311-300-000	COLLAR, FR. WHEEL SIDE	1	1	1		
3	44601-300-040	HUB, FR. WHEEL	1	1	1		
4	44606-283-000	BALANCER (20G)	N	N	N		
	44607-283-000	BALANCER (15G)	N	N	N		
	44608-283-000	BALANCER (10G)	N	N	N		
	44609-283-000	BALANCER (5G)	N	N	N		
5	44606-300-003	SPOKE A, FR. (DAIDO)	20	20	20		
6	44607-300-003	SPOKE B, FR. (DAIDO)	20	20	20		
7	44620-300-020	COLLAR, FR. AXLE DISTANCE	1	1	1		
8	44641-341-000	RETAINER, GEAR BOX	1	1	1		
9	44642-300-020	COVER, GEAR BOX RETAINER	1	1	1		
10	44643-300-000	RETAINER, FR. WHEEL BEARING	1	1	1		
11	44701-300-013	RIM, FR. WHEEL (19 DAIDO)	1	1	1		
12	44711-300-013	TIRE, FR. WHEEL (3.25-19 BS)	1	1	1		2521018
	44711-300-014	TIRE, FR. WHEEL (3.25-19) (DUNLOP)	1	1	1		2521018
	44711-341-003	TIRE, FR. WHEEL (3.25H19) (BS)	1				2521019
	44711-341-004	TIRE, FR. WHEEL (3.25H19) (DUNLOP)	1				2521019
13	44712-300-000	TUBE, FR. WHEEL (3.25-19)	1	1	1		
14	44713-300-000	FLAP, FR. TUBE (19)	1	1	1		
15	44800-300-030	BOX ASSY., SPEEDOMETER GEAR	1	1	1		
16	90122-300-020	BOLT, 8X102	6	6	6		
17	90305-300-000	NUT, FR. AXLE	1	1	1		
18	91252-300-003	DUST SEAL, 22X36X8	1	1	1		
19	91302-300-000	O-RING, 58X2	1	1	1		
20	93700-05015-0A	SCREW, OVAL, 5X15	1	1	1		
21	96140-63020	BEARING, BALL, 6302	2	2	2		

F-8 Front Fork

F-8 Front Fork



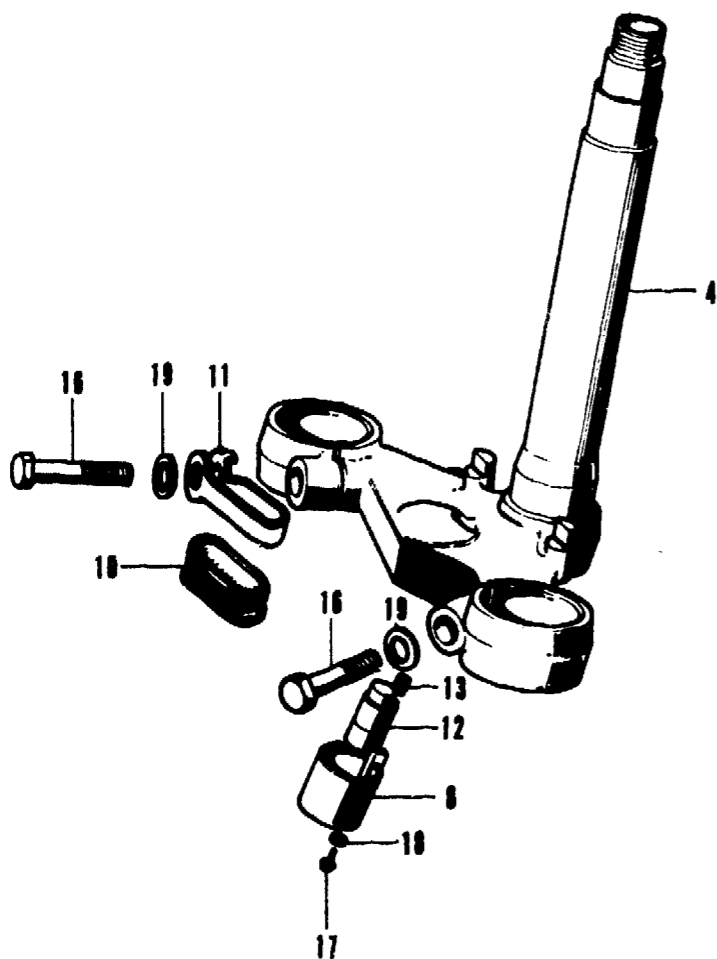
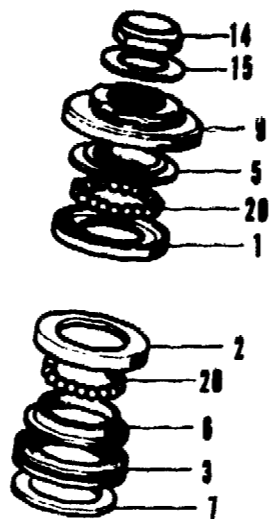
Ref. No.	Part No.	Description	Reqd. No.			Serial No.	Area Code
			CB750	K3	K4		
1	33741-340-670	REFLECTOR, FR. REFLEX	2	2	2		
2	33743-341-670	BASE, FR. REFLEX REFLECTOR	2	2	2		
3	51400-341-701	FORK ASSY., R. FR. 51400-341-702	1	1	1	2531136	
	51400-341-702	FORK ASSY., R. FR.			1	2531137	
4	51401-341-700	SPRING, FR. CUSHION	2	2	2		
5	51410-341-702	PIPE, FR. FORK	2	2	2		
6	51412-340-000	SPRING, FR. FORK REBOUND	2	2	2		
7	51421-341-701	CASE, R. FR. FORK BOTTOM	1	1	1		
8	51430-341-701	PIPE COMP., BOTTOM	1	1	1		
9	51432-340-000	PIECE, OIL LOCK	2	2	2		
10	51437-329-010	RING, PISTON	2	2	2		
11	51500-341-701	FORK ASSY., L. FR. 51500-341-702	1	1	1	2531136	
	51500-341-702	FORK ASSY., L. FR.			1	2531137	
12	51521-341-701	CASE, L. FR. FORK BOTTOM	1	1	1		
13	51601-300-000	CUSHION, FORK COVER UPPER	2	2	2		
14	51602-341-701XM	COVER, R. FR. FORK UPPER	1	1	1		
15	51606-341-701XM	COVER, L. FR. FORK UPPER	1	1	1		
16	51608-300-000	RIB, FR. FORK	2	2	2		
17	51611-300-000	BOOT, FR. FORK	2	2	2		
18	51622-292-010	CUSHION, FR. FORK COVER LOWER	2	2	2		
19	90116-283-010	BOLT, SOCKET, 8MM	2	2	2		
20	90123-300-000	BOLT, FR. FORK	2	2	2		
21	90543-273-000	PACKING, FR. FORK DRAIN COCK	2	2	2		
22	90544-283-000	WASHER, SPECIAL, 8MM	2	2	2		
23	91255-300-023	OIL SEAL, 35X48X11 91255-300-033	2	2	2	2531136	
	91255-300-025	OIL SEAL, 35X48X11 91255-300-033	2	2	2	2531136	
	91255-300-033	OIL SEAL, 35X48X11			2	2531137	
24	92000-06010	BOLT, HEX., 6X10	2	2	2		
25	92700-08050-30	BOLT, STUD, 8X50	4	4	4		
26	94030-08000	NUT, HEX., 8MM	4	4	4		
27	94101-08000	WASHER, PLAIN, 8MM	4	4	4		
28	94111-08000	WASHER, SPRING, 8MM	4	4	4		
29	94521-48000	CIR CLIP, INTERNAL, 48MM	2	2	2		
30	94608-50000	O-RING, 23X2.8	2	2	2		
31	95014-41000	HOLDER IC, FR. FORK AXLE	2	2	2		



F-9 Steering Stem

F-9 Steering Stem

Courtesy of  Honda4Fun
www.hondafour.com www.honda4fun.com



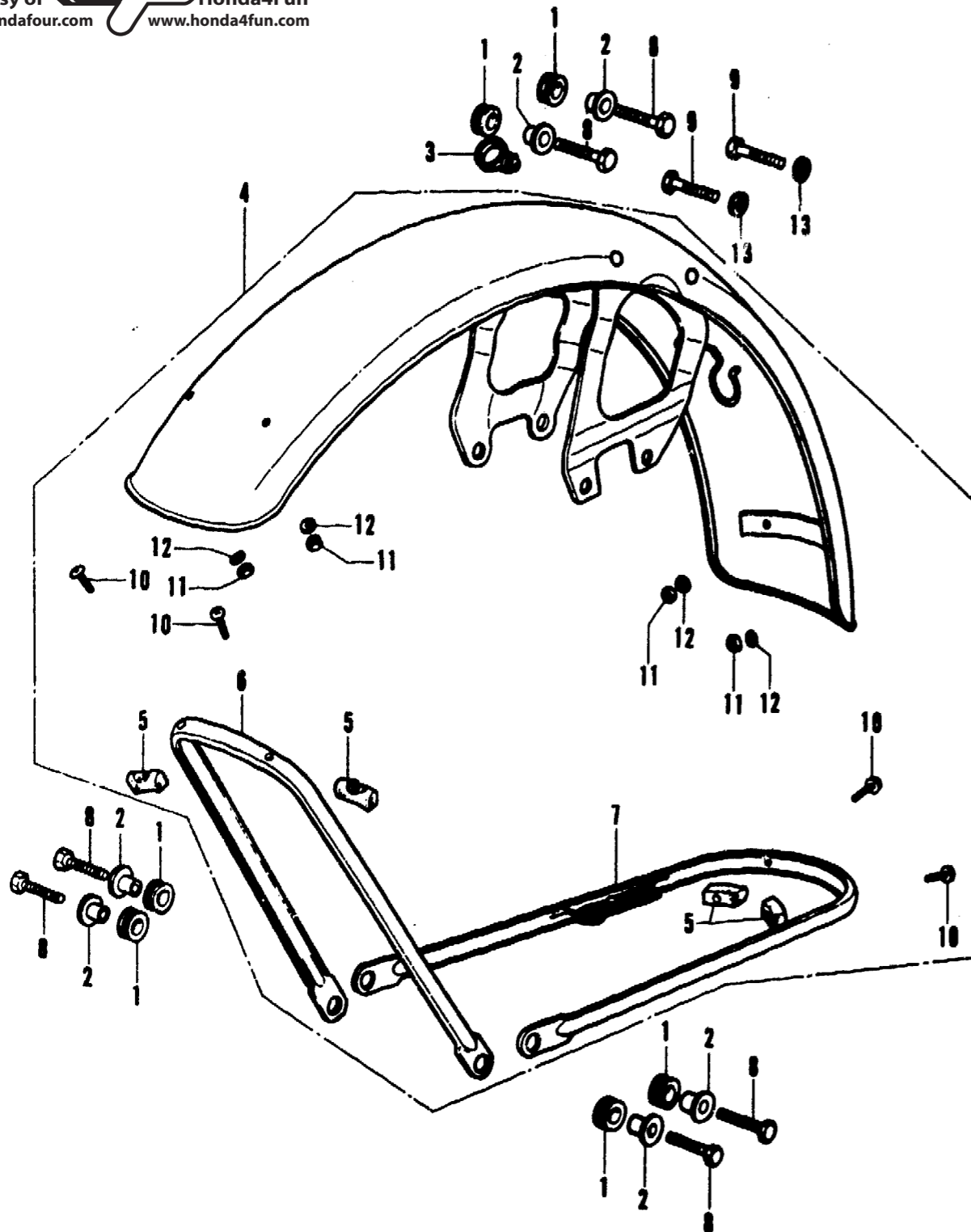
Ref. No.	Part No.	Description	Reqd. No.			Serial No.	Area Code
			CR750	K3	K4		
1	50301-268-305	RACE, STEERING TOP BALL	1	1	1		
2	50302-268-305	RACE, STEERING BOTTOM BALL	1	1	1		
3	53124-250-000	SEAL, STEERING HEAD DUST	1	1	1		
4	53200-300-030B	STEM COMP., STEERING	1	1	1		
5	53211-268-305	RACE, STEERING TOP CONE	1	1	1		
6	53212-250-305	RACE, STEERING BOTTOM CONE	1	1	1		
7	53215-250-000	WASHER, STEERING HEAD DUST SEAL	1	1	1		
8	53215-317-000	COVER COMP., HANDLE LOCK CASE	1	1	1		
9	53220-286-000	THREAD COMP., STEERING HEAD TOP	1	1	1		
10	53225-333-000	GUIDE, INNER CABLE	1	1	1		
11	53226-341-700	BRACKET, CABLE GUIDE	1	1	1		
12	53600-230-000	LOCK COMP., STEERING HANDLE (TOYO)	1	1	1		
13	53631-268-020	SPRING, HANDLE LOCK	1	1	1		
14	90304-323-670	NUT, STEERING STEM	1	1	1		
15	90503-283-000	WASHER, STEERING STEM	1	1	1		
16	92000-10040-0A	BOLT, HEX., 10X40	2	2	2		
17	93500-03008-0A	SCREW, PAN, 3X8	1	1	1		
18	94101-03000	WASHER, PLAIN, 3MM	1	1	1		
19	94102-10000	WASHER, PLAIN, 10MM	2	2	2		
20	96211-08000	BALL, STEEL, #8	37	37	37		

Courtesy of  Honda4Fun
www.hondafour.com www.honda4fun.com

F-10 Front Fender

F-10 Front Fender

Courtesy of  Honda4Fun
www.hondafour.com www.honda4fun.com



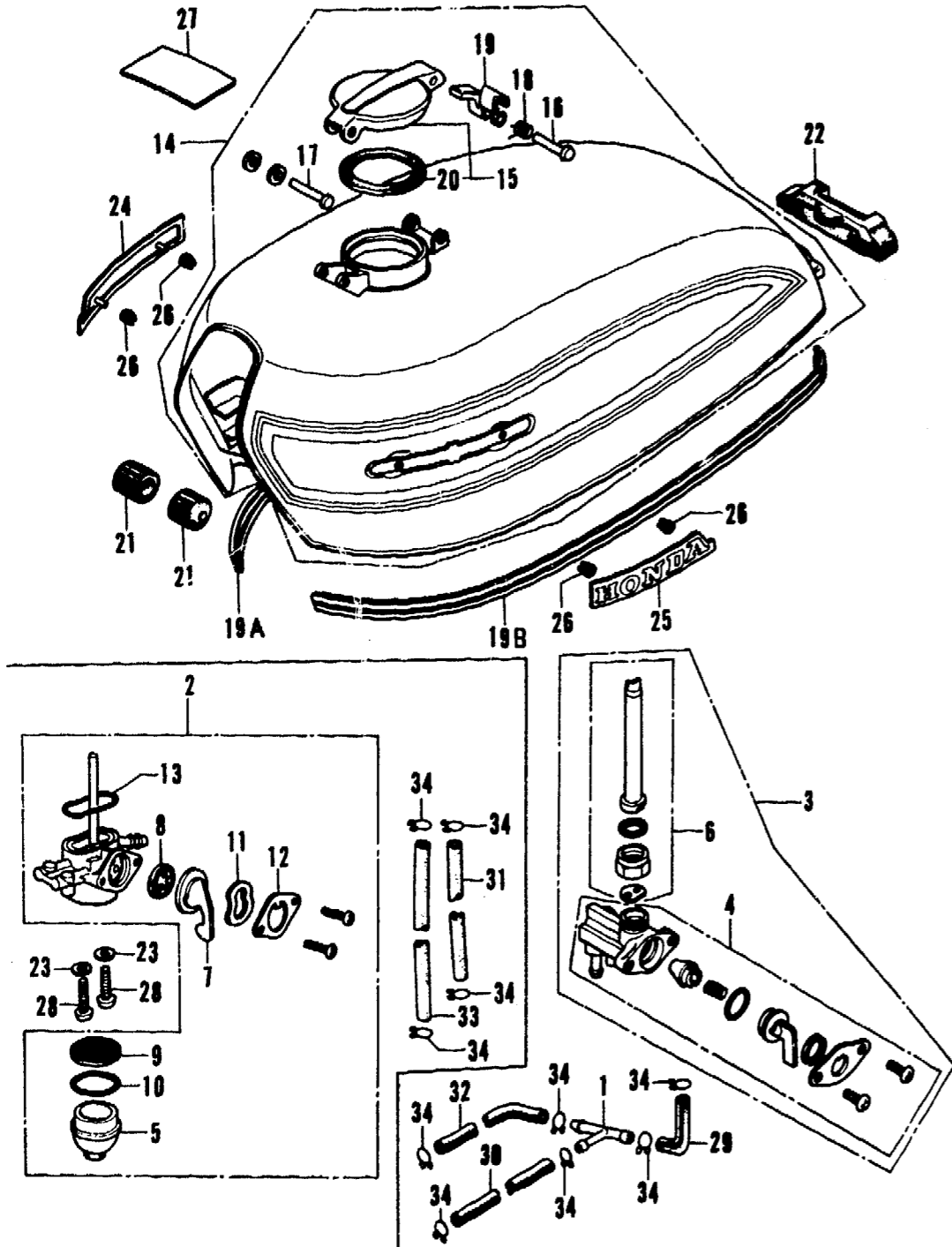
Ref. No.	Part No.	Description	Reqd. No.			Serial No.	Area Code
			CB750	K3	K4		
1	40513-310-000	RUBBER, CHAIN CASE MOUNT	6	6	6		
2	40514-310-000	COLLAR, CHAIN CASE	6	6	6		
3	45451-283-000	GROMMET, WIRE	1	1	1		
4	61100-341-700XH	FENDER COMP., FR.	1	1	1		
5	61102-300-000	PIECE, FENDER SETTING	4	4	4		
6	61111-341-700	STAY A, FR. FENDER	1	1	1		
7	61112-341-700	STAY B, FR. FENDER	1	1	1		
8	92000-06022	BOLT, HEX., 6X22	6	6	6		
9	92200-06025	BOLT, HEX., 6X25	2	2	2		
10	93700-05025-08	SCREW, OVAL, 5X25	4	4	4		
11	94001-05000-0S	NUT, HEX., 5MM	4	4	4		
12	94111-05000	WASHER, SPRING, 5MM	4	4	4		
13	94111-06000	WASHER, SPRING, 6MM	2	2	2		

Courtesy of  Honda4Fun
www.hondafour.com www.honda4fun.com

F-11 Fuel Tank - Cock

F-11 Fuel Tank - Cock

Courtesy of Honda4Fun
www.hondafour.com www.honda4fun.com



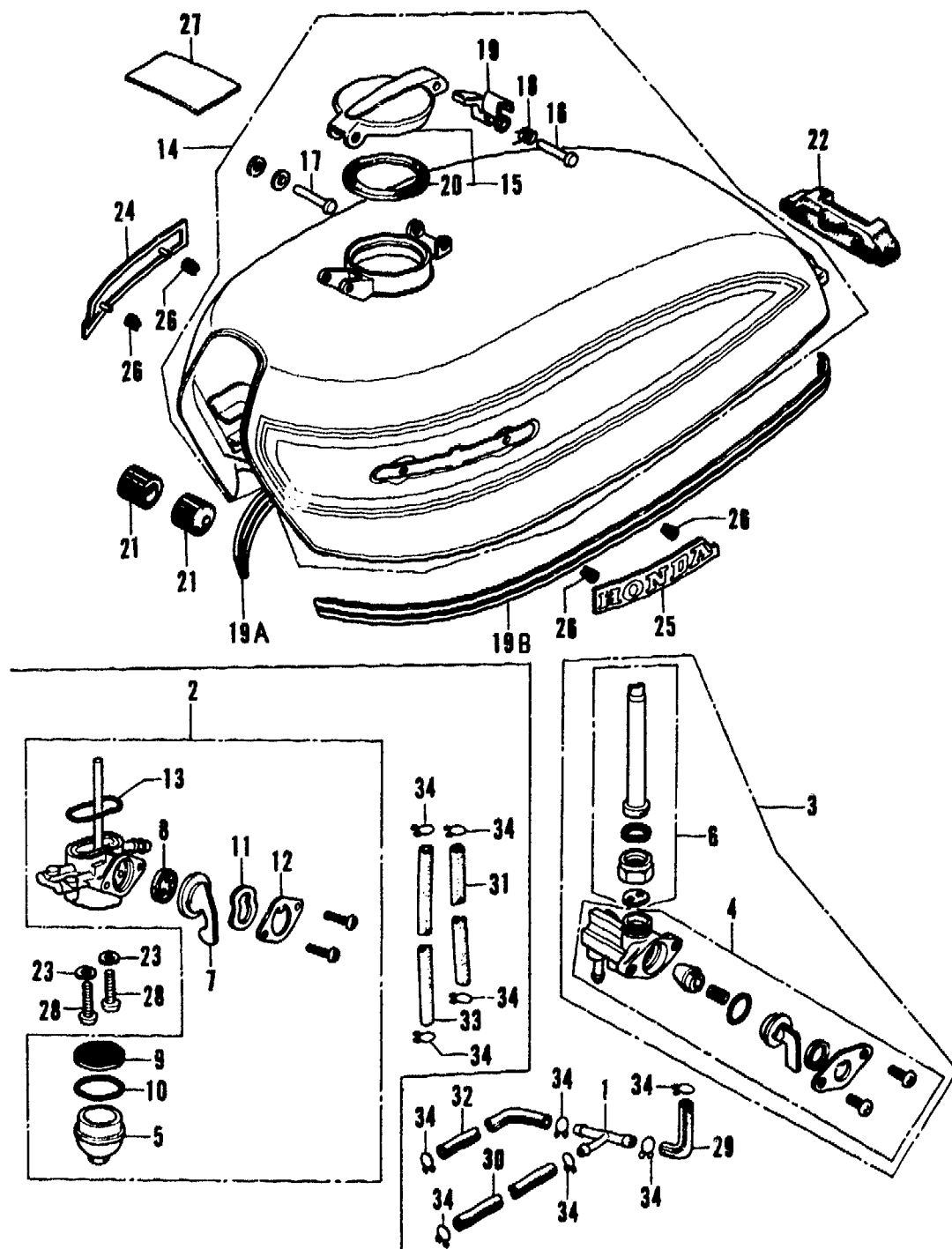
Ref. No.	Part No.	Description	Reqd. No.			Serial No.	Area Code
			CB750	K3	K4		
1	16235-657-000	JOINT, FUEL					1
2	16950-300-020	COCK ASSY., FUEL	1	1			
3	16950-341-671	COCK ASSY., FUEL					1
4	16951-341-671	BODY SET					1
5	16952-268-000	CUP, FUEL STRAINER	1	1			
6	16952-341-671	STRAINER SET					1
7	16953-268-020	LEVER, FUEL COCK	1	1			
8	16955-268-020	GASKET, COCK VALVE	1	1			
9	16957-268-010	SCREEN, FUEL STRAINER	1	1			
10	16958-268-010	O-RING	1	1			
11	16960-268-010	SPRING, COCK LEVER	1	1			
12	16961-268-010	PLATE, FUEL COCK LEVER SETTING	1	1			
13	16997-273-006	O-RING, 23MM	1	1			
14	17500-341-700LV	TANK ASSY., FUEL	1				
	17500-341-700LY	TANK ASSY., FUEL	1				
	17500-341-700QQ	TANK ASSY., FUEL	1				
	17500-341-702LV	TANK COMP., FUEL					1
	17500-341-702TC	TANK COMP., FUEL					1
	17500-341-702TD	TANK COMP., FUEL					1
	17500-341-770MV	TANK COMP., FUEL					1
	17500-341-770UE	TANK COMP., FUEL					1
15	17510-323-310	CAP COMP., FUEL TANK	1	1	1		
16	17513-300-300	PIN, FUEL FILLER CAP CHECK	1	1	1		
17	17514-323-300	PIN B, FUEL FILLER CAP	1	1	1		
18	17515-300-300	SPRING, FUEL FILLER CAP CHECK	1	1	1		
19	17517-300-340	CHECK, FUEL FILLER CAP	1	1	1		
19A	17521-300-010	MOLE, R. FUEL TANK	1	1	1		
19B	17522-300-010	MOLE, L. FUEL TANK	1	1	1		
20	17534-323-300	GASKET, FUEL FILLER CAP	1	1	1		
21	17611-283-010	CUSHION, FUEL TANK FR.	2	2	2		
22	17613-292-000	CUSHION, FUEL TANK RR.	1	1	1		
23	17993-250-000	GASKET, FUEL COCK	2	2			
24	87121-341-700	EMBLEM, R. FUEL TANK	1	1	1		

Courtesy of Honda4Fun
www.hondafour.com www.honda4fun.com

F-11 Fuel Tank - Cock

F-11 Fuel Tank - Cock

Courtesy of  Honda4Fun
www.honda4fun.com



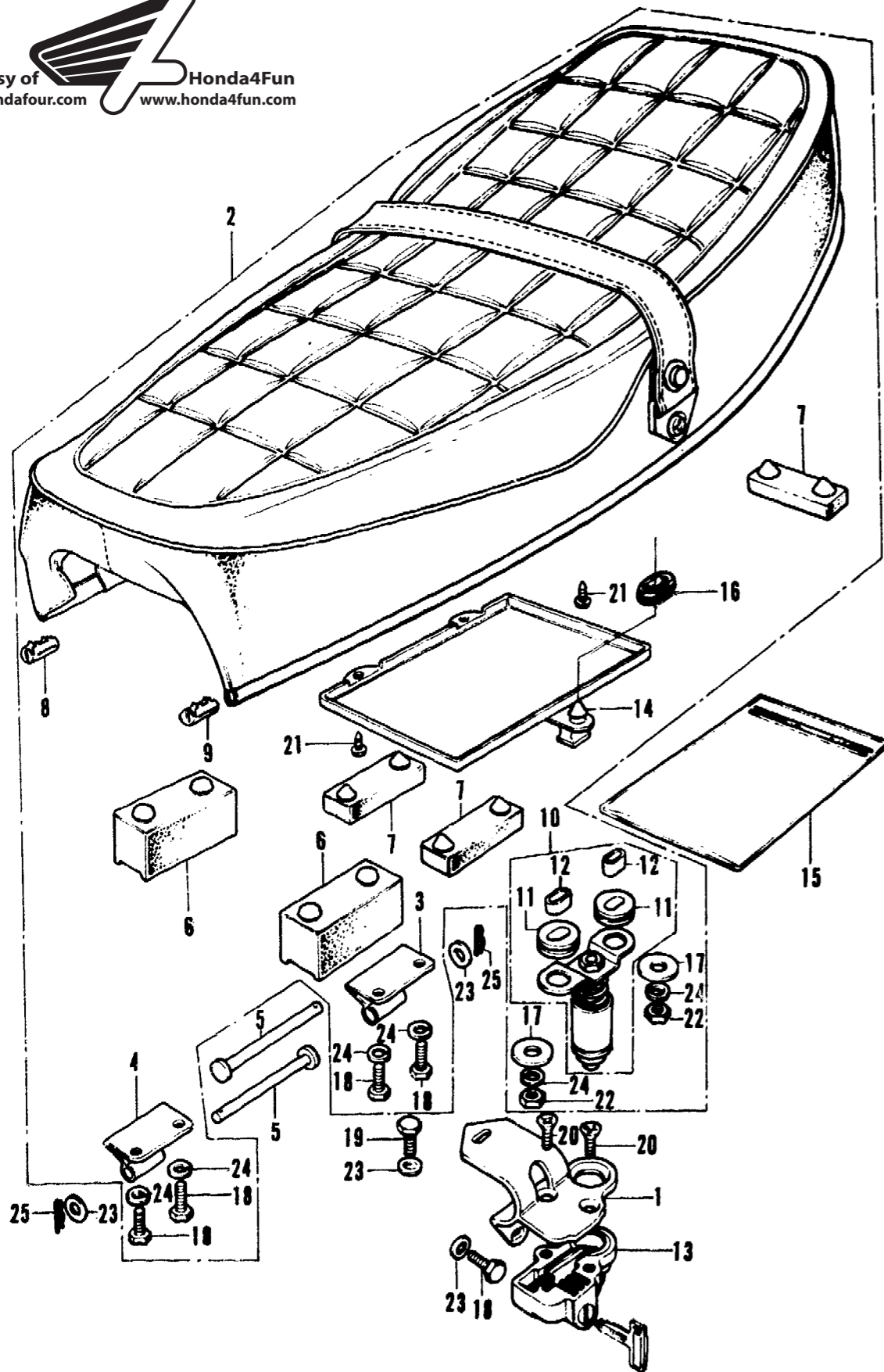
Ref. No.	Part No.	Description	Reqd. No.			Serial No.	Area Code
			CB750 K3	K4	K5		
25	87122-341-700	EMBLEM, L. FUEL TANK	1	1	1		
26	87311-516-000	NUT, RR. EMBLEM ATTACHING	4	4	4		
27	87560-323-670A	MARK, DRIVE CAUTION	1	1	1		
	87560-323-670B	MARK, DRIVE CAUTION	1	1	1		
28	93500-06028	SCREW, PAN, 6X28	2	2			
29	95001-55040-40	TUBE, FUEL, 5.5X40			1		
30	95001-55130-40	TUBE, FUEL, 5.5X130			1		
31	95001-55190-40	TUBE, FUEL, 5.5X190	1	1			
32	95001-55240-40	TUBE, FUEL, 5.5X240			1		
33	95001-55350-40	TUBE, FUEL, 5.5X350	1	1			
34	95002-02100	CLIP B10, TUBE	4	4	6		

Courtesy of  Honda4Fun
www.honda4fun.com

F-12 Double Seat

F-12 Double Seat

Courtesy of  Honda4Fun
www.hondafour.com www.honda4fun.com



Ref. No.	Part No.	Description	Reqd. No.			Serial No.	Area Code
			CB750	K3	K4		
1	50223-341-000	PLATE, SEAT LOCK SET	1	1	1		
2	77200-341-700	SEAT ASSY.	1				
	77200-341-701	SEAT ASSY.		1	1		
3	77201-300-010	HINGE, SEAT	1	1	1		
4	77201-341-000	HINGE A, SEAT	1	1	1		
5	77203-300-000	BAR, SEAT HINGE	2	2	2		
6	77204-292-000	RUBBER, SEAT SETTING	2	2	2		
7	77205-292-010	RUBBER B, SEAT SETTING	3	3	3		
8	77211-323-300	GARNISH, R, SEAT MOLE	1	1	1		
9	77212-323-300	GARNISH, L, SEAT MOLE	1	1	1		
10	77220-340-011	BAR ASSY., SEAT LOCK	1	1	1		
11	77228-340-001	RUBBER, LOCK BAR CUSHION	2	2	2		
12	77229-340-001	COLLAR, SEAT LOCK BAR	2	2	2		
13	77230-347-003	LOCK ASSY., SEAT (TOYOSHA)	1	1	1		
14	77250-342-300	LID, SEAT UNDER	1	1	1		
15	77251-342-000	BAG, SERVICE BOOK	1	1	1		
16	83551-300-000	GROMMET, AIR CLEANER CASE	1	1	1		
17	90514-700-000	WASHER, TANK COLLAR LOCK	2	2	2		
18	92000-06012	BOLT, HEX., 6X12	5	5	5		
19	92000-06016	BOLT, HEX., 6X16	1	1	1		
20	93600-06016-07	SCREW, FLAT, 6X16	2	2	2		
21	93903-25080	SCREW, TAPPING, 5X8	2	2	2		
22	94001-06000	NUT, HEX., 6MM	2	2	2		
23	94101-06000	WASHER, PLAIN, 6MM	4	4	4		
24	94111-06000	WASHER, SPRING, 6MM	6	6	6		
25	94251-06000	PIN, LOCK, 6MM	2	2	2		

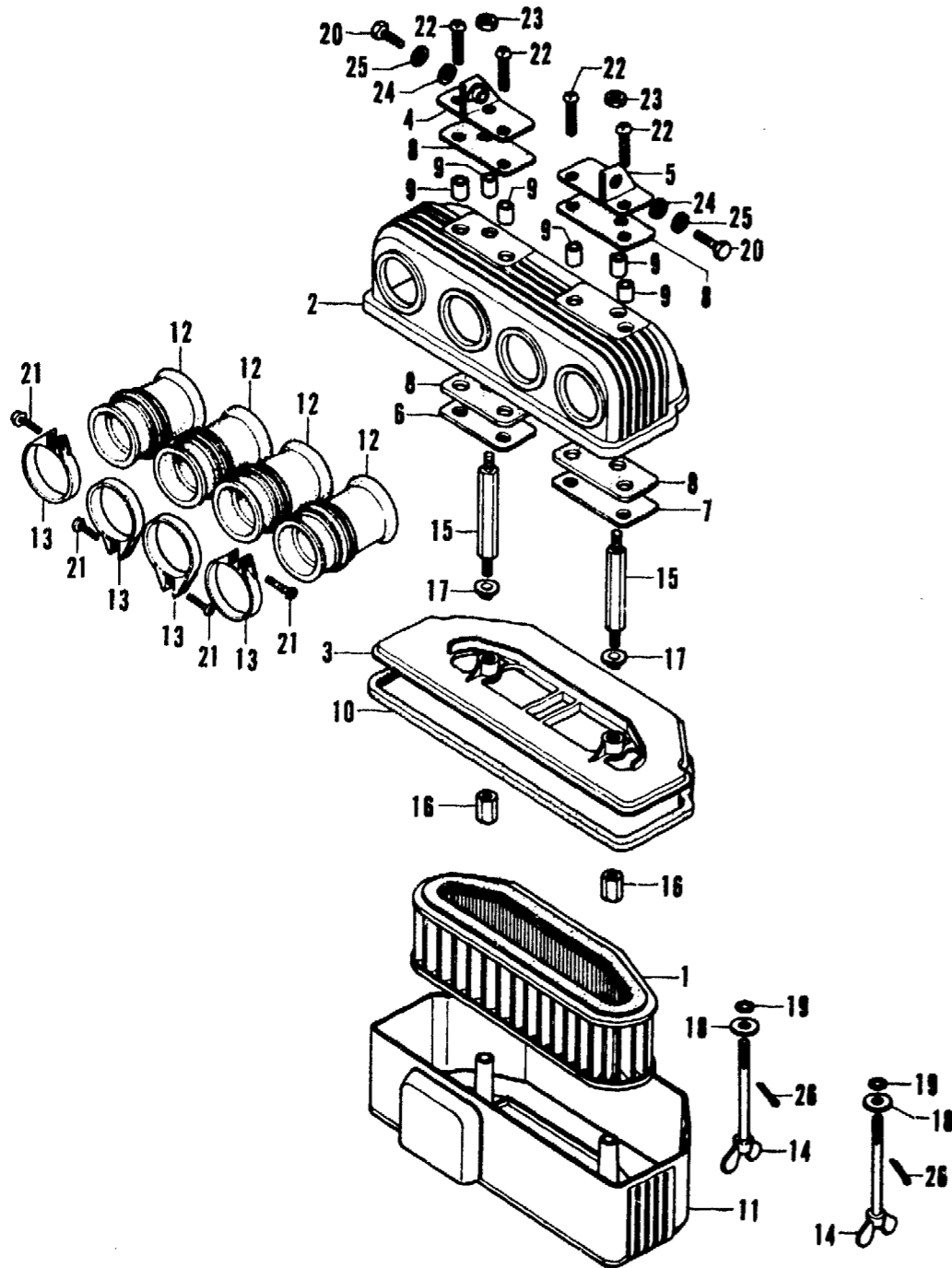
B300-51

Courtesy of  Honda4Fun
www.hondafour.com www.honda4fun.com

F-13 Air Cleaner

F-13 Air Cleaner

Courtesy of Honda4Fun
www.hondafour.com www.honda4fun.com



Ref. No.	Part No.	Description	Reqd. No.			Serial No.	Area Code
			CB750 K3	K4	K5		
1	17211-341-000	ELEMENT, AIR CLEANER	1	1	1		
2	17212-341-000	CASE, AIR CLEANER	1	1	1		
3	17213-300-000B	SEPARATOR, AIR CLEANER	1	1	1		
4	17215-300-030	STAY, R. AIR CLEANER CASE	1	1	1		
5	17216-300-030	STAY, L. AIR CLEANER CASE	1	1	1		
6	17217-300-330	PLATE, R. AIR CLEANER CASE	1	1	1		
7	17218-300-330	PLATE, L. AIR CLEANER CASE	1	1	1		
8	17219-300-010	RUBBER, CLEANER CASE MOUNT	4	4	4		
9	17220-300-010	COLLAR, CLEANER CASE SETTING	6	6	6		
10	17221-341-000	GASKET, AIR CLEANER CASE	1	1	1		
11	17231-341-010	COVER, AIR CLEANER	1	1	1		
12	17253-341-300	TUBE, AIR CLEANER CONNECTING	4	4	4		
13	17255-230-000	BAND, CLEANER CONNECTING TUBE	4	4	4		
14	90143-300-020	BOLT, AIR CLEANER COVER	2	2	2		
15	90144-300-020	BOLT, AIR CLEANER CASE	2	2	2		
16	90301-300-000	NUT, AIR CLEANER CASE SET	2	2	2		
17	90554-240-000	WASHER B, CHAIN CASE SETTING	2	2	2		
18	90581-701-000	WASHER, 18MM	2	2	2		
19	91301-704-000	O-RING, 6MM	2	2	2		
20	92000-06012	BOLT, HEX., 6X12	2	2	2		
21	93500-04020-0A	SCREW, PAN, 4X20	4	4	4		
22	93500-06020	SCREW, PAN, 6X20	4	4	4		
23	94001-06000	NUT, HEX., 6MM	2	2	2		
24	94101-06000	WASHER, PLAIN, 6MM	2	2	2		
25	94111-06000	WASHER, SPRING, 6MM	2	2	2		
26	94201-20150	PIN, SPLIT, 2.0X15	2	2	2		

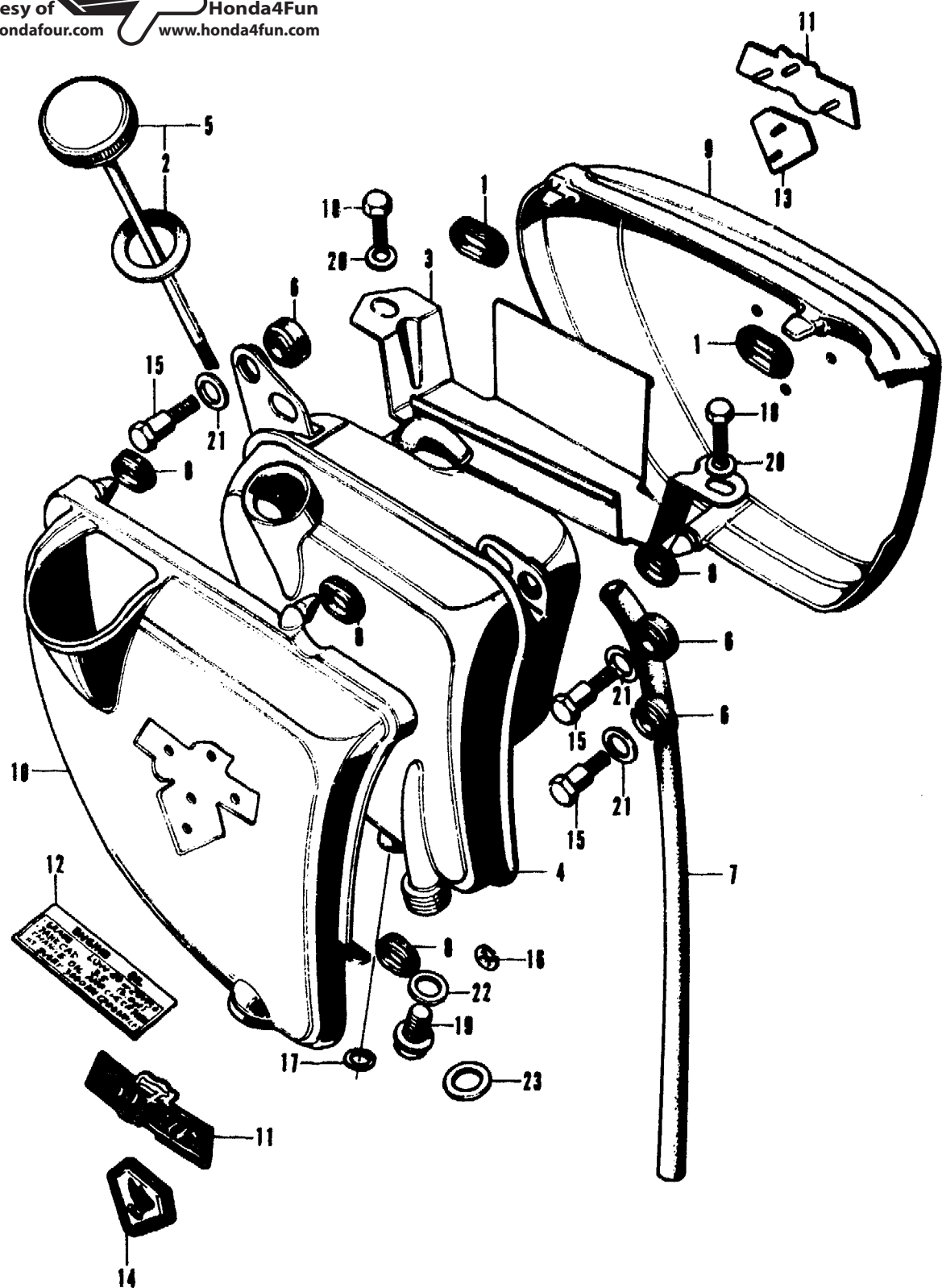
Courtesy of Honda4Fun
www.hondafour.com www.honda4fun.com

M 10

F-14 Oil Tank • Tank & Battery Cover

F-14 Oil Tank • Tank & Battery Cover

Courtesy of  Honda4Fun
www.hondafour.com www.honda4fun.com



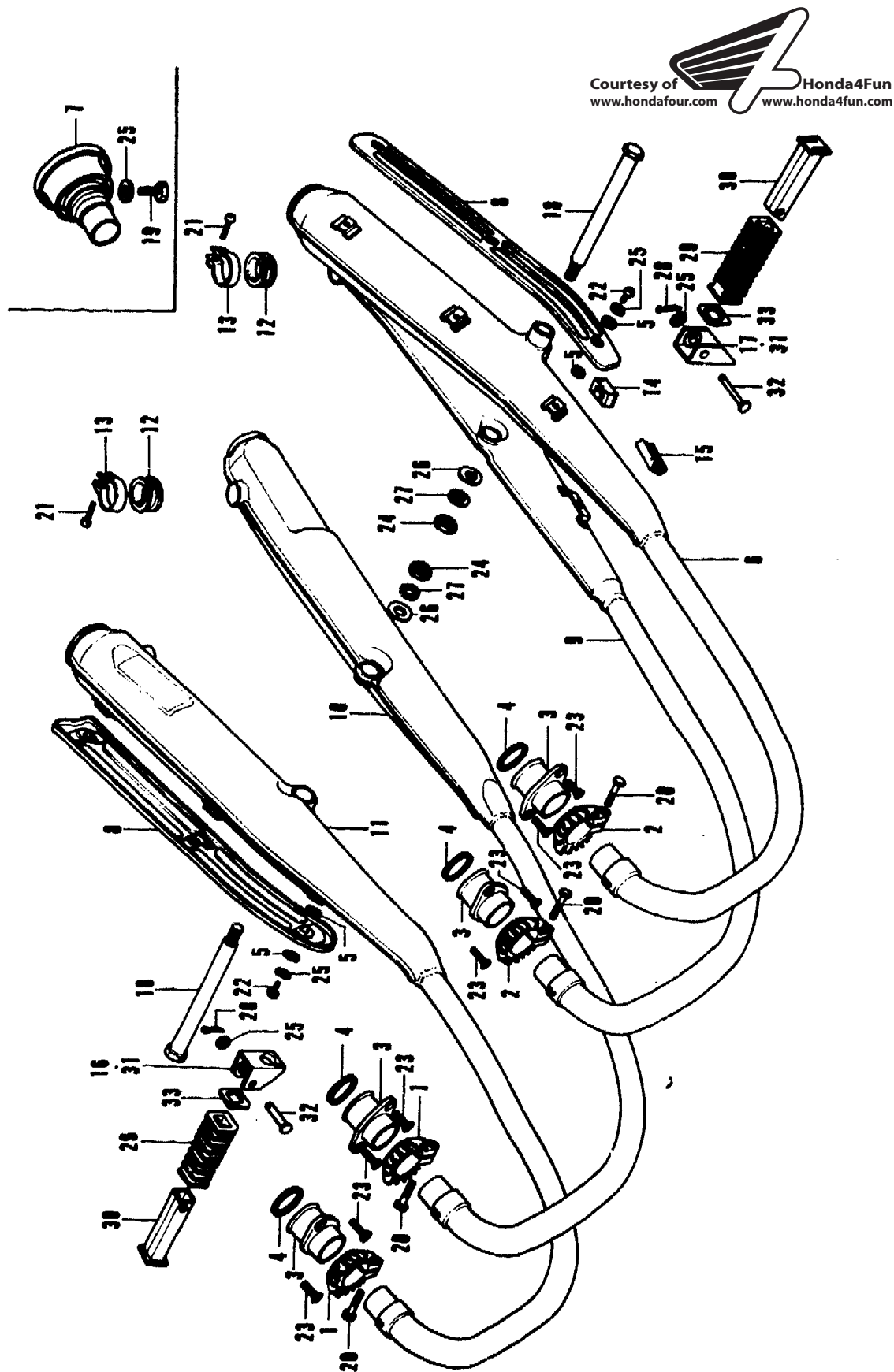
Ref. No.	Part No.	Description	Reqd. No.			Serial No.	Area Code
			CB750	K3	K4		
1	17247-303-000	GROMMET A, AIR CLEANER CASE	2	2	2		
2	17631-253-000	PACKING, FUEL FILLER CAP	1	1	1		
3	50341-300-010	TRAY, TOOL	1	1	1		
4	55100-300-0608	TANK COMP., OIL	1	1	1		
5	55105-300-010	CAP, OIL TANK	1	1	1		
6	55106-300-000	RUBBER, OIL TANK	3	3	3		
7	55107-300-000	PIPE, OIL TANK BREATHER	1	1	1		
8	83551-300-000	GROMMET, AIR CLEANER CASE	4	4	4		
9	83600-341-701LV	COVER, BATTERY	1	1			
	83600-341-701LY	COVER, BATTERY	1				
	83600-341-701QQ	COVER, BATTERY	1				
	83600-341-701TC	COVER, BATTERY		1			
	83600-341-701TD	COVER, BATTERY		1			
	83600-341-701MV	COVER, BATTERY			1		
	83600-341-701UE	COVER, BATTERY			1		
10	83700-341-701LV	COVER, OIL TANK	1	1			
	83700-341-701LY	COVER, OIL TANK	1				
	83700-341-701QQ	COVER, OIL TANK	1				
	83700-341-701TC	COVER, OIL TANK		1			
	83700-341-701TD	COVER, OIL TANK		1			
	83700-341-701MV	COVER, OIL TANK			1		
	83700-341-701UE	COVER, OIL TANK			1		
11	87123-341-673	EMBLEM A, BATTERY COVER	2	2	2		
12	87125-300-010	PLATE, OIL CAUTION	1	1	1		
13	87126-341-000	EMBLEM B, BATTERY COVER	1	1	1		
14	87127-341-000	EMBLEM B, OIL TANK COVER	1	1	1		
15	90141-300-000	BOLT A, 6MM	3	3	3		
16	90313-567-000	NUT, SPEED, 3MM	10	10	10		
17	90441-512-000	WASHER, SEALING, 12MM	1	1	1		
18	92000-06012	BOLT, HEX., 6X12	2	2	2		
19	92800-12000	BOLT, DRAIN PLUG, 12MM	1	1	1		
20	94101-06000	WASHER, PLAIN, 6MM	2	2	2		
21	94101-08000	WASHER, PLAIN, 8MM	3	3	3		
22	94109-12000	WASHER, DRAIN PLUG 12MM	1	1	1		
23	94109-14000	WASHER, DRAIN PLUG, 14MM	1	1	1		

300-53A

Courtesy of  Honda4Fun
www.hondafour.com www.honda4fun.com

F-15 Exhaust Muffler

F-15 Exhaust Muffler



Courtesy of  Honda4Fun
www.hondafour.com www.honda4fun.com

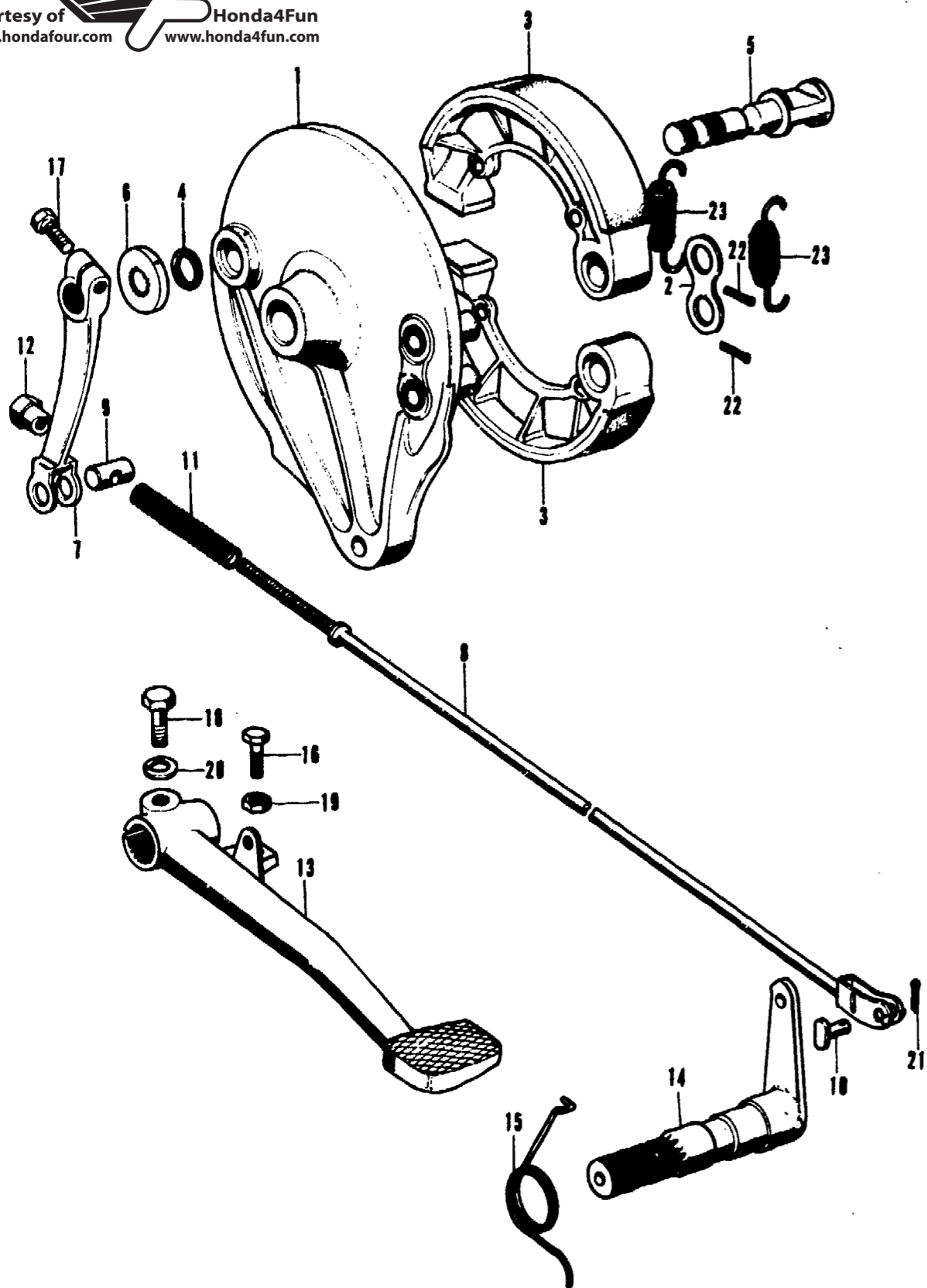
Ref. No.	Part No.	Description	Reqd. No.			Serial No.	Area Code
			CB750	K3	K4		
1	18231-300-010	JOINT, R. EX. PIPE	2	2	2		
2	18232-300-010	JOINT, L. EX. PIPE	2	2	2		
3	18236-300-030	FRANGE, EX. PIPE	4	4	4		
4	18291-254-000	GASKET, EX. PIPE	4	4	4		
5	18292-290-000	GASKET, PROTECTOR	12	12	12		
6	18300-341-000	MUFFLER COMP. 1, EX.	1	1	1		
7	18311-341-300	PIPE, EX. DIFFUSER	4	4	4		
8	18315-300-020	PROTECTOR, MUFFLER	2	2	2		
9	18350-341-000	MUFFLER COMP. 2, EX.	1	1	1		
10	18400-341-000	MUFFLER COMP. 3, EX.	1	1	1		
11	18450-341-000	MUFFLER COMP. 4, EX.	1	1	1		
12	18472-300-000	TUBE, MUFFLER CONNECTING	2	2	2		
13	18473-300-000	BAND, MUFFLER CONNECTING	2	2	2		
14	50524-001-000	RUBBER, MAIN STAND STOPPER	1	1	1		
	95011-61000	RUBBER A, STAND STOPPER	1	1	1		
15	50543-283-000	RUBBER, SIDE STAND STOPPER	1	1	1		
16	50711-341-670	BRACKET, R. PILLION STEP				1	
17	50712-341-670	BRACKET, L. PILLION STEP				1	
18	90146-300-020	BOLT, PILLION STEP	2	2	2		
19	92000-06012	BOLT, HEX., 6X12	4	4	4		
20	92000-08032-0A	BOLT, HEX., 8X32	4	4	4		
21	93500-05016-0A	SCREW, PAN, 5X16	2	2	2		
22	93500-06012-49	SCREW, PAN, 6X12	6	6	6		
23	93600-08022	SCREW, FLAT, 8X22	8	8	8		
24	94030-12000	NUT, HEX., 12MM	2	2	2		
25	94101-06000	WASHER, PLAIN, 6MM	12	12	12		
26	94102-12000	WASHER, PLAIN, 12MM	2	2	2		
27	94111-12000	WASHER, SPRING, 12MM	2	2	2		
28	94201-16150	PIN, SPLIT, 1.6X15	2	2	2		
29	95011-31000	RUBBER A, PILLION STEP	2	2			
	50710-377-000	RUBBER, PILLION STEP				2	
30	95015-62000	BAR B, PILLION STEP	2	2			
	50715-377-000	BAR, PILLION STEP				2	
31	95015-71100	BRACKET A, PILLION STEP	2	2			
32	95015-83000	PIN C, PILLION STEP	2	2	2		
33	95015-91000	WASHER, PILLION STEP	2	2			
	50712-377-000	WASHER, PILLION STEP				2	

M 12

F-16 Rear Brake Panel - Pedal

F-16 Rear Brake Panel - Pedal

Courtesy of  Honda4Fun
www.hondafour.com www.honda4fun.com



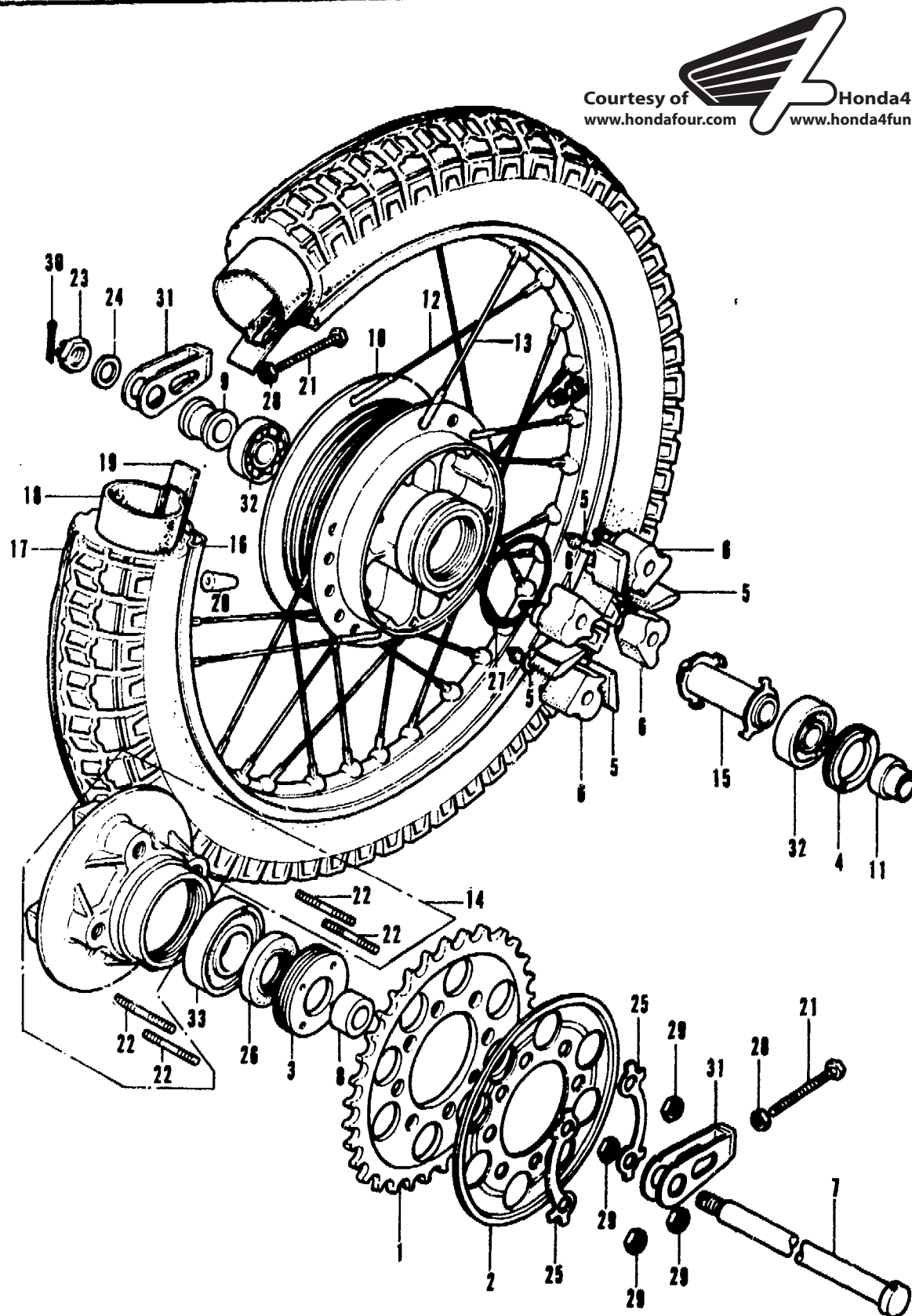
Ref. No.	Part No.	Description	Reqd. No.			Serial No.	Area Code
			CB750	K3	K4		
1	43100-341-000	PANEL, RR. BRAKE	1	1		2358732	
	43100-341-010	PANEL, RR. BRAKE	1	1		2358733	
2	43102-319-000	WASHER, ANCHOR PIN	1	1	1		
3	43120-300-010	SHOE COMP., RR. BRAKE	2	2	2		
4	43134-300-000	DUST SEAL, BRAKE CAM	1	1	1		
5	43141-341-000	CAM, RR. BRAKE	1	1	1		
6	43145-341-000	PLATE, BRAKE INDICATER	1	1	1		
7	43410-341-700	ARM, RR. BRAKE	1	1	1		
8	43451-341-000	ROD COMP., RR. BRAKE	1	1	1		
9	43453-250-000	JOINT, RR. BRAKE ARM	1	1	1		
10	43471-292-010	PIN, BRAKE ROD JOINT	1	1	1		
	95015-52000	PIN B, BRAKE ROD JOINT	1	1	1		
11	43472-212-000	SPRING, RR. BRAKE ROD	1	1	1		
12	43486-250-000	NUT, RR. BRAKE ADJUSTING	1	1	1		
13	46500-341-670	PEDAL, BRAKE	1	1	1		
14	46510-300-010	SPINDLE COMP., RR. BRAKE	1	1	1		
15	46514-300-000	SPRING, BRAKE PEDAL	1	1	1		
16	92000-06020	BOLT, HEX., 6X20	1	1	1		
17	92000-08022-0A	BOLT, HEX., 8X22	1	1	1		
18	92000-08028-0A	BOLT, HEX., 8X28	1	1	1		
19	94002-06000	NUT, HEX., 6MM	1	1	1		
20	94111-08000	WASHER, SPRING, 8MM	1	1	1		
21	94201-16150	PIN, SPLIT, 1.6X15	1	1	1		
22	94201-25200	PIN, SPLIT, 2.5X20	2	2	2		
23	95014-74320	SPRING, BRAKE SHOE	2	2		2358733	
	43151-346-000	SPRING, RR. BRAKE SHOF	2	2		2358734	

300-55A
B300-55

Courtesy of  Honda4Fun
www.hondafour.com www.honda4fun.com

F-17 Rear Wheel - Driven Sprocket

F-17 Rear Wheel - Driven Sprocket



Courtesy of  Honda4Fun
www.hondafour.com www.honda4fun.com

Ref. No.	Part No.	Description	Reqd. No.			Serial No.	Area Code
			CB750	K3	K4		
1	41201-300-870	SPROCKET, FINAL DRIVEN (48T)	1	1	1		
2	41211-341-000	PLATE, SPROCKET SIDE	1	1	1		
3	41231-283-000	RETAINER, RR. WHEEL BEARING	1	1	1		
4	41231-300-020	RETAINER, RR. WHEEL BEARING	1	1	1		
5	41241-300-040	DAMPER, R. RR. WHEEL	4	4	4		
6	41242-300-020	DAMPER, L. RR. WHEEL	4	4	4		
7	42301-300-010	AXLE, RR. WHEEL	1	1	1		
8	42311-300-010	COLLAR, RR. WHEEL SIDE	1	1	1		
9	42313-300-020	COLLAR, RR. BRAKE PANEL SIDE	1	1	1		
10	42601-300-030	HUB COMP., RR. WHEEL	1	1	1		
11	42605-300-000	SLEEVE, RR. AXLE	1	1	1		
12	42606-300-003	SPOKE A, RR. (DA100)	20	20	20		
13	42607-300-003	SPOKE B, RR. (DA100)	20	20	20		
14	42609-341-000	FLANGE COMP., FINAL DRIVEN	1	1	1		
15	42620-300-010	COLLAR, RR. AXLE DISTANCE	1	1	1		
16	42701-300-013	RIM, RR. WHEEL (DA100)	1	1	1		
17	42711-300-013	TIRE, RR. WHEEL 42711-341-003	1	1	1		2521018
	42711-300-014	TIRE, RR. WHEEL 42711-341-004	1	1	1		2521018
	42711-341-003	TIRE, RR. WHEEL (4.00H18, BS)	1			2521019	
	42711-341-004	TIRE, RR. WHEEL (4.00H18) (DUNLOP)	1			2521019	
18	42712-300-000	TUBE, RR. WHEEL (4.00-18)	1	1	1		
19	42713-300-000	FLAP, RR. TUBE	1	1	1		
20	44606-283-000	BALANCER (20G)	N	N	N		
	44607-283-000	BALANCER (15G)	N	N	N		
	44608-283-000	BALANCER (10G)	N	N	N		
	44609-283-000	BALANCER (5G)	N	N	N		
21	90119-300-000	BOLT, CHAIN ADJUSTING	2	2	2		
22	90128-341-000	BOLT, STUD, 12X54	4	4	4		
23	90306-268-000	NUT, RR. WHEEL AXLE	1	1	1		
24	90523-292-000	WASHER 18.5X34	1	1	1		
25	90523-300-000	WASHER, TONGUED, 12MM	2	2	2		
26	90753-283-000	OIL SEAL, 34X55X9	1	1	1		
27	91258-300-013	O-RING, 68X2.6	1	1	1		
28	94002-08000-0S	NUT, HEX., 8MM	2	2	2		
29	94030-12000	NUT, HEX., 12MM	4	4	4		
30	94201-40300	PIN, SPLIT, 4.0X30	1	1	1		
31	95014-19000	ADJUSTER K, CHAIN	2	2	2		
32	96120-63040	BEARING, BALL, 6304	2	2	2		
33	96120-63050	BEARING BALL 6305	1	1	1		

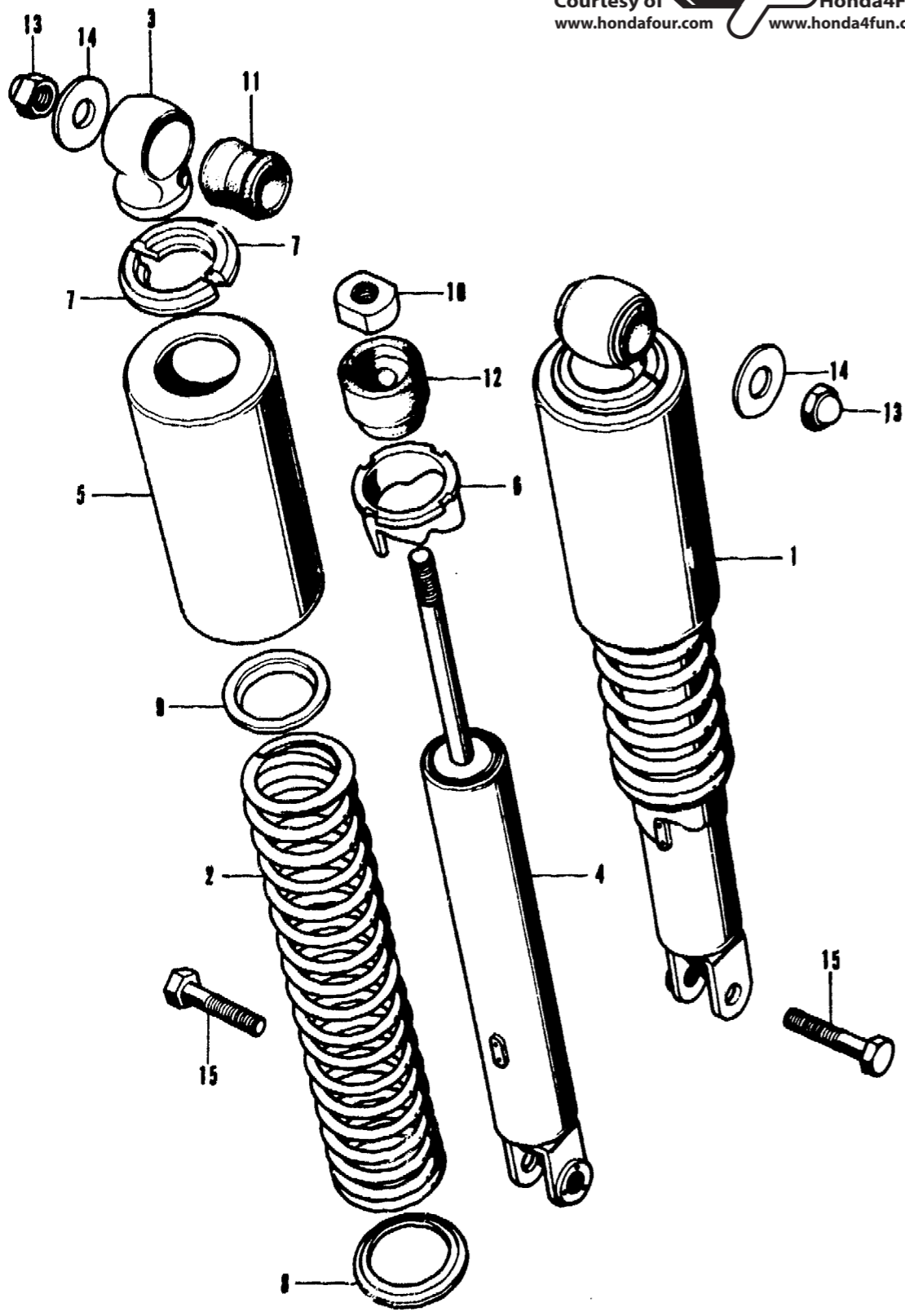
300-56A

Courtesy of  Honda4Fun
www.hondafour.com www.honda4fun.com

M 14

F-18 Rear Cushion

F-18 Rear Cushion



Courtesy of  Honda4Fun
www.hondafour.com www.honda4fun.com

Ref. No.	Part No.	Description	Reqd. No.			Serial No.	Area Code
			CP750	K3	K4 K5		
1	52400-341-670XW	CUSHION ASSY., RR.	2	2	2		
2	52401-341-000	SPRING, RR. CUSHION	2	2	2		
3	52403-312-000	JOINT, UPPER	2	2	2		
4	52410-341-670	DAMPER ASSY., RR.	2	2	2		
5	52421-300-000XW	CASE, RR. CUSHION UPPER	2	2	2		
6	52422-329-000	ADJUSTER, RR. CUSHION SPRING	2	2	2		
7	52424-331-003	STOPPER, SPRING SEAT (SHOWA)	4	4	4		
8	52458-329-000	SEAT, RR. CUSHION SPRING UNDER	2	2	2		
9	52459-312-003	SEAT, RR. CUSHION SPRING	2	2	2		
10	52482-312-000	NUT, LOCK, 10MM	2	2	2		
11	52484-292-000	RUBBER, JOINT	2	2	2		
12	52517-312-000	RUBBER, RR. CUSHION STOPPER	2	2	2		
13	90309-315-000	NUT, RR. CUSHION UPPER	2	2	2		
14	90521-292-000	WASHER, 10.3MM	2	2	2		
15	93200-10032-0B	BOLT, HEX., 10X32	2	2	2		

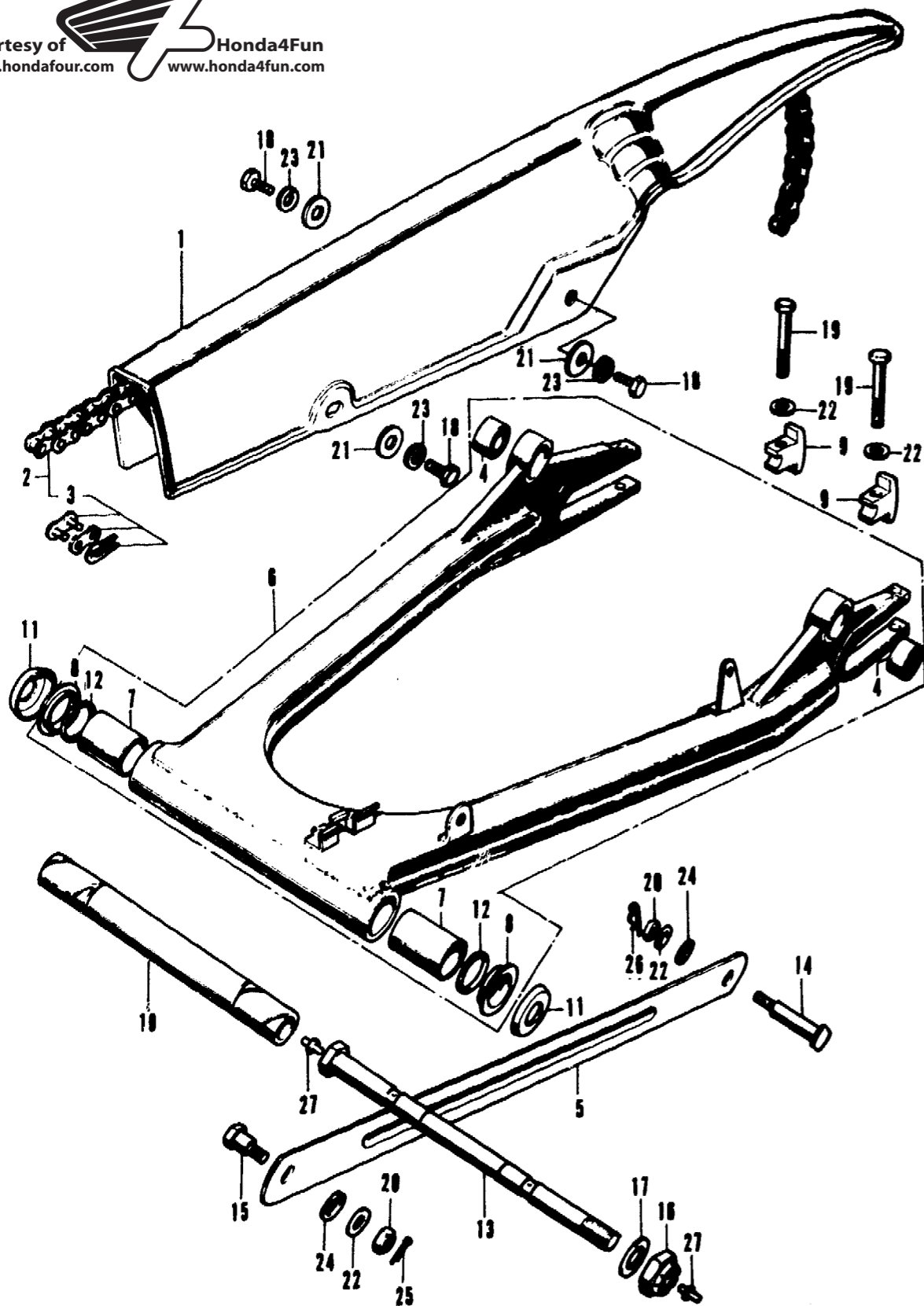
B300-58B

Courtesy of  Honda4Fun
www.hondafour.com www.honda4fun.com

F-19 Rear Fork • Chain Case

F-19 Rear Fork • Chain Case

Courtesy of  Honda4Fun
www.hondafour.com www.honda4fun.com



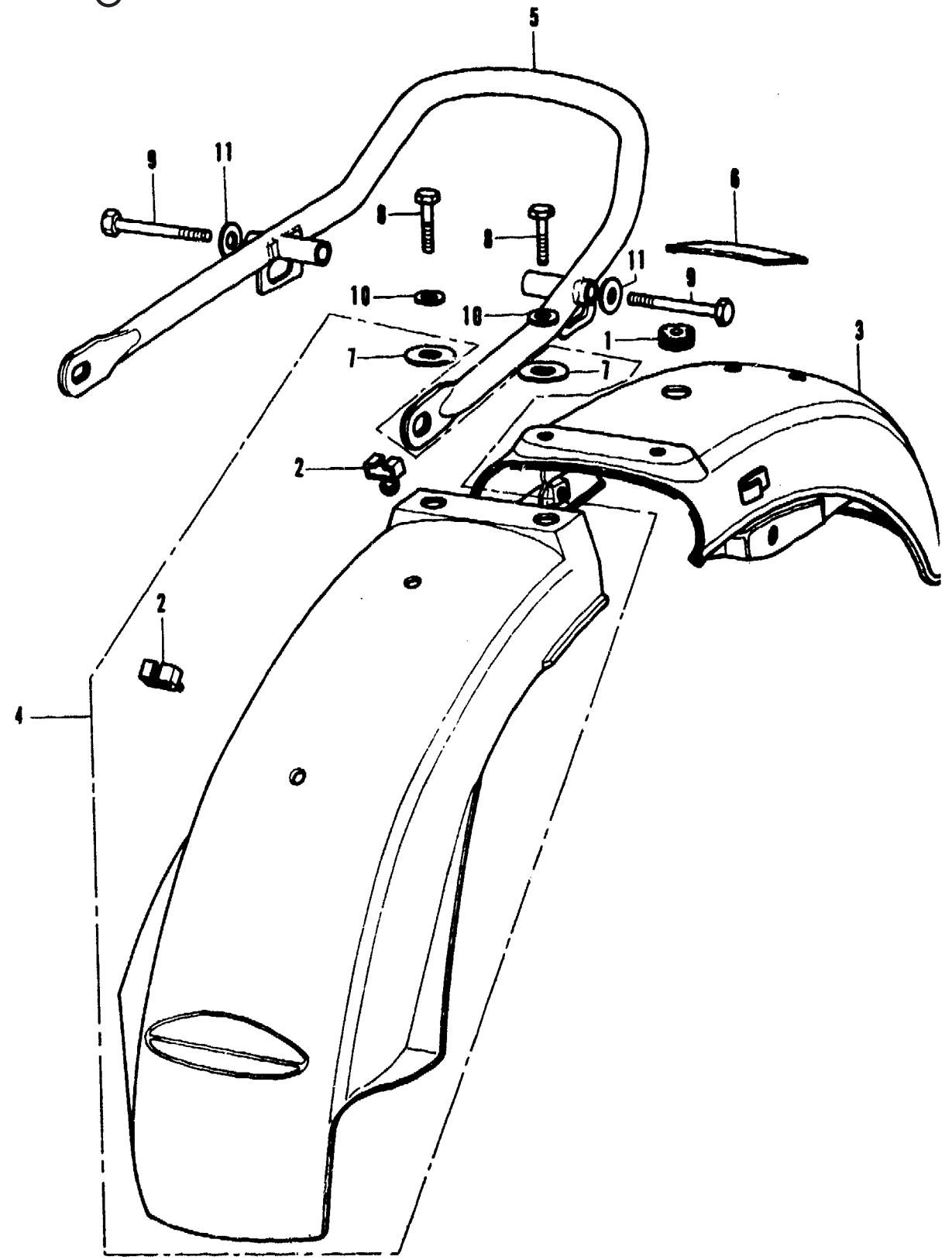
Ref. No.	Part No.	Description	Reqd. No.			Serial No.	Area Code
			CB750	K3	K4		
1	40510-341-010B	CASE, DRIVE CHAIN	1	1	1		
2	40530-341-305	CHAIN, DRIVE (100L DAIDO)	1	1	1		
3	40531-341-305	JOINT, DRIVE CHAIN (STAKING TYPE)	1	1	1		
4	40548-268-000	BUSH, RR. CUSHION UNDER RUBBER	2	2	2		
5	43431-286-010	ARM, RR. BRAKE STOPPER	1	1	1		
6	52100-341-000B	FORK COMP., RR.	1	1	1		
7	52108-300-300	BUSH, RR. FORK PIVOT	2	2	2		
8	52109-283-300	BUSH, RR. FORK PIVOT THRUST	2	2	2		
9	52136-300-000	STOPPER, CHAIN ADJUSTER	2	2	2		
10	52141-300-000	COLLAR, RR. FORK CENTER	1	1	1		
11	52144-283-010	CAP, RR. FORK DUST SEAL	2	2	2		
12	52145-283-000	RING, RR. FORK FELT	2	2	2		
13	90121-300-000	BOLT, RR. FORK PIVOT	1	1	1		
14	90127-323-000	BOLT, RR. BRAKE STOPPER ARM	1	1	1		
15	90133-286-000	BOLT, RR. BRAKE STOPPER ARM	1	1	1		
16	90354-268-000	NUT, SELF LOCK, 14MM	1	1	1		
17	90526-268-000	WASHER, RR. FORK PIVOT BOLT	1	1	1		
18	92000-06014	BOLT, HEX., 6X14	3	3	3		
19	92000-08040-0A	BOLT, HEX., 8X40	2	2	2		
20	94001-08000-0S	NUT, HEX., 8MM	2	2	2		
21	94101-06000	WASHER, PLAIN, 6MM	3	3	3		
22	94101-08000	WASHER, PLAIN, 8MM	4	4	4		
23	94111-06000	WASHER, SPRING, 6MM	3	3	3		
24	94111-10000	WASHER, SPRING, 10MM	2	2	2		
25	94201-20180	PIN, SPLIT, 2.0X18	1	1	1		
26	94251-08000	PIN, LOCK, 8MM	1	1	1		
27	96201-30001	NIPPLE A.45, GREASE	2	2	2		

M 16

F-20 Rear Fender

F-20 Rear Fender

Courtesy of  Honda4Fun
 www.hondafour.com www.honda4fun.com



Ref. No.	Part No.	Description	Reqd. No.			Serial No.	Area Code
			CB750	K3	K4		
1	32983-011-000	GROMMET, WIRE CORD	1	1	1		
2	32985-300-000	GROMMET, WIRE CORD	2	2	2		
3	80100-341-000	FENDER COMP. A, RR.	1	1	1		
4	80105-341-000	FENDER B, RR.	1	1	1		
5	84101-341-700	BUMPER, RR.	1	1			
	84101-341-770	BUMPER, RR.			1		
6	87505-341-670	MARK, TIRE CAUTION	1	1			2521018
	87505-341-671	MARK, TIRE CAUTION			1		2521019
7	90513-323-000	WASHER, 6X9	2	2	2		
8	92000-06028	BOLT, HEX., 6X28	2	2	2		
9	93000-08080-08	BOLT, HEX., 8X80	2	2	2		
10	94101-06000	WASHER, PLAIN, 6MM	2	2	2		
11	94102-08200	WASHER, PLAIN, 8MM	2	2	2		

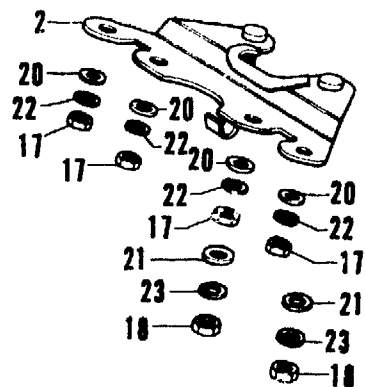
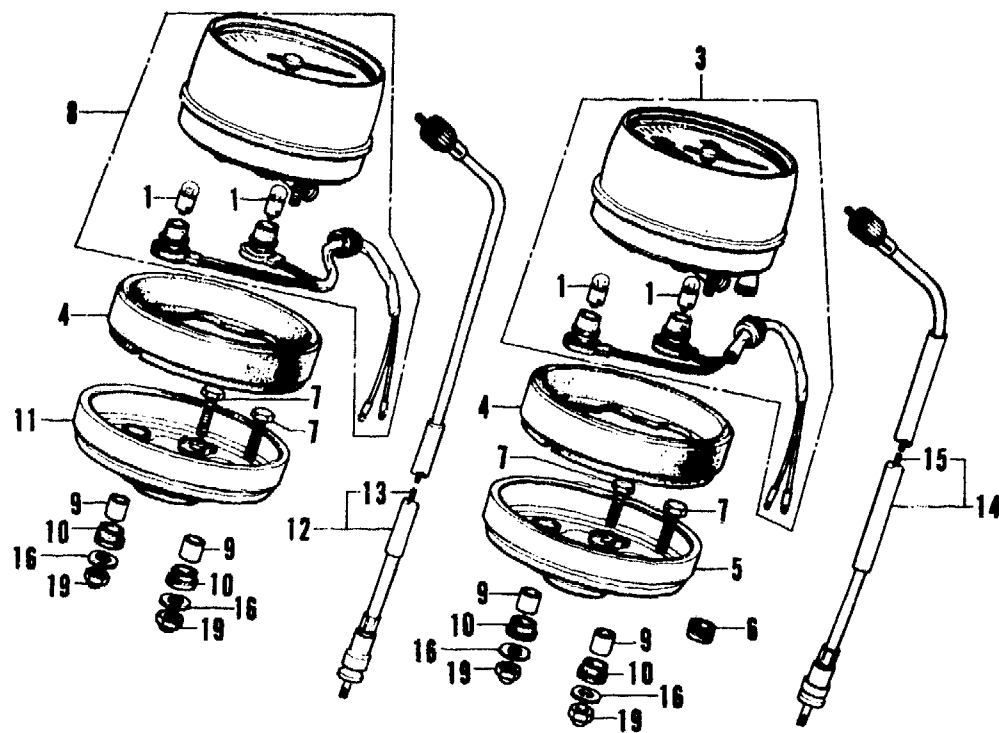
8300-60

Courtesy of  Honda4Fun
 www.hondafour.com www.honda4fun.com

F-21 Speedometer • Tachometer

F-21 Speedometer • Tachometer

Courtesy of  Honda4Fun
 www.hondafour.com www.honda4fun.com



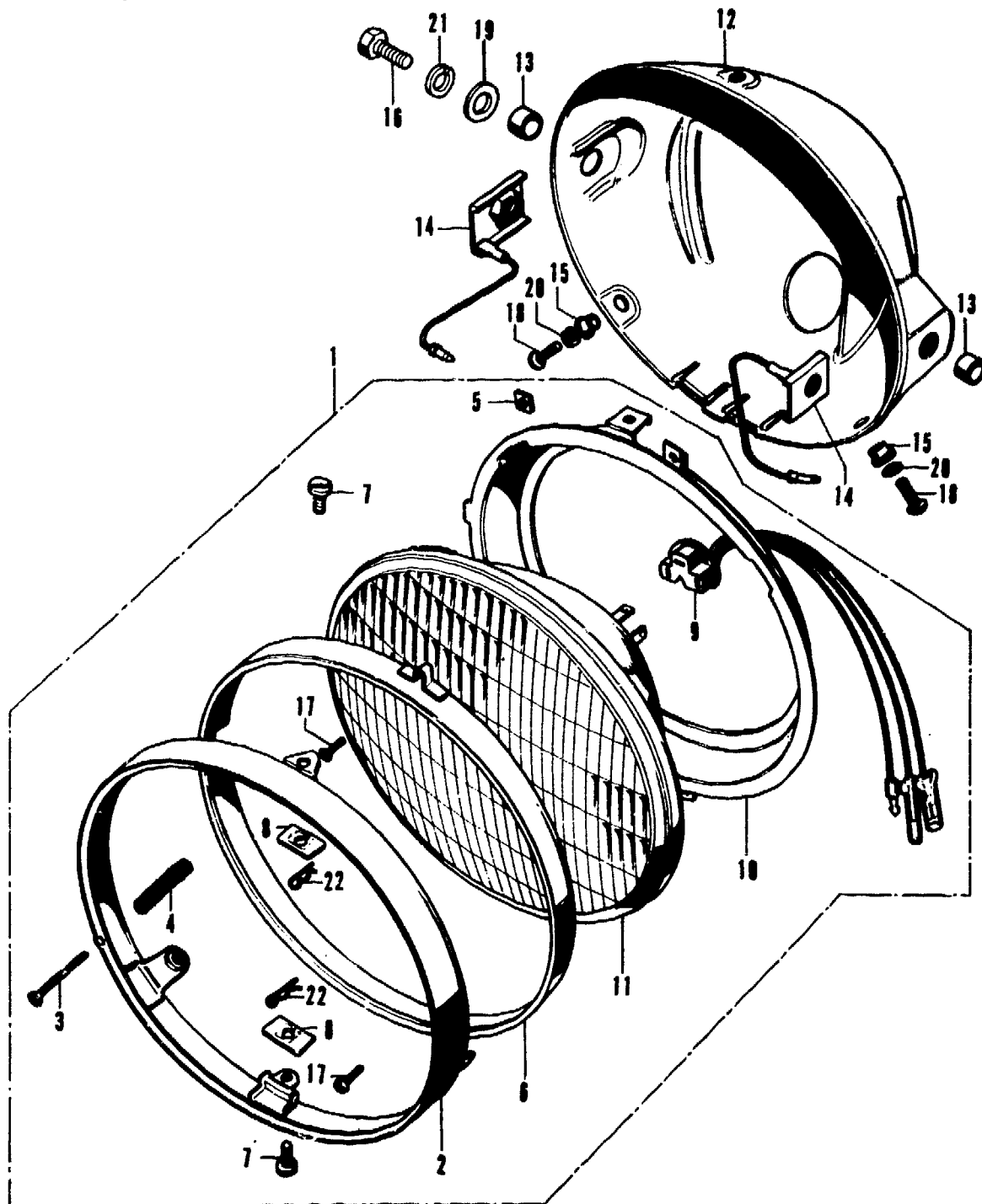
Ref. No.	Part No.	Description	Reqd. No.			Serial No.	Area Code
			CB750	K3	K4		
1	34902-259-000	BULB, DUSH (12V 3.4W)	4	4	4		
2	37211-341-700	PLATE, METER SET	1	1	1		
3	37230-341-700	SPEEDOMETER ASSY.	1				
	37230-341-701	SPEEDOMETER ASSY.		1			
	37230-341-671	SPEEDOMETER ASSY. (MILE)			1		
4	37235-323-700	CUSHION, SPEEDOMETER	2	2	2		
5	37236-323-700	PLATE, SPEEDOMETER UNDER	1	1	1		
6	37237-323-700	GROMMET, METER PLATE	1	1	1		
7	37238-323-700	BOLT, METER SET, 6MM	4	4	4		
8	37240-341-700	TACHOMETER ASSY.	1	1	1		
9	37243-323-700	COLLAR, METER SET	4	4	4		
10	37244-307-670	RUBBER, METER SET	4	4	4		
11	37246-323-700	PLATE, TACHOMETER UNDER	1	1	1		
12	37260-300-000	CABLE ASSY., TACHOMETER	1	1	1		
13	37261-300-000	CABLE, TACHOMETER INNER	1	1	1		
14	44830-300-672	CABLE ASSY., SPEEDOMETER	1	1	1		
15	44831-300-672	CABLE, SPEEDOMETER INNER	1	1	1		
16	90545-323-700	WASHER, 6.5X18	4	4	4		
17	94001-06070	NUT, HEX., 6MM	4	4	4		
18	94001-08070	NUT, HEX., 8MM	2	2	2		
19	94021-06020	NUT, HEX. CAP, 6MM	4	4	4		
20	94101-06700	WASHER, PLAIN, 6MM	4	4	4		
21	94101-08700	WASHER, PLAIN, 8MM	2	2	2		
22	94111-06700	WASHER, SPRING, 6MM	4	4	4		
23	94111-08700	WASHER, SPRING, 8MM	2	2	2		

Courtesy of  Honda4Fun
 www.hondafour.com www.honda4fun.com

F-22 Head Light

F-22 Head Light

Courtesy of  Honda4Fun
www.hondafour.com www.honda4fun.com



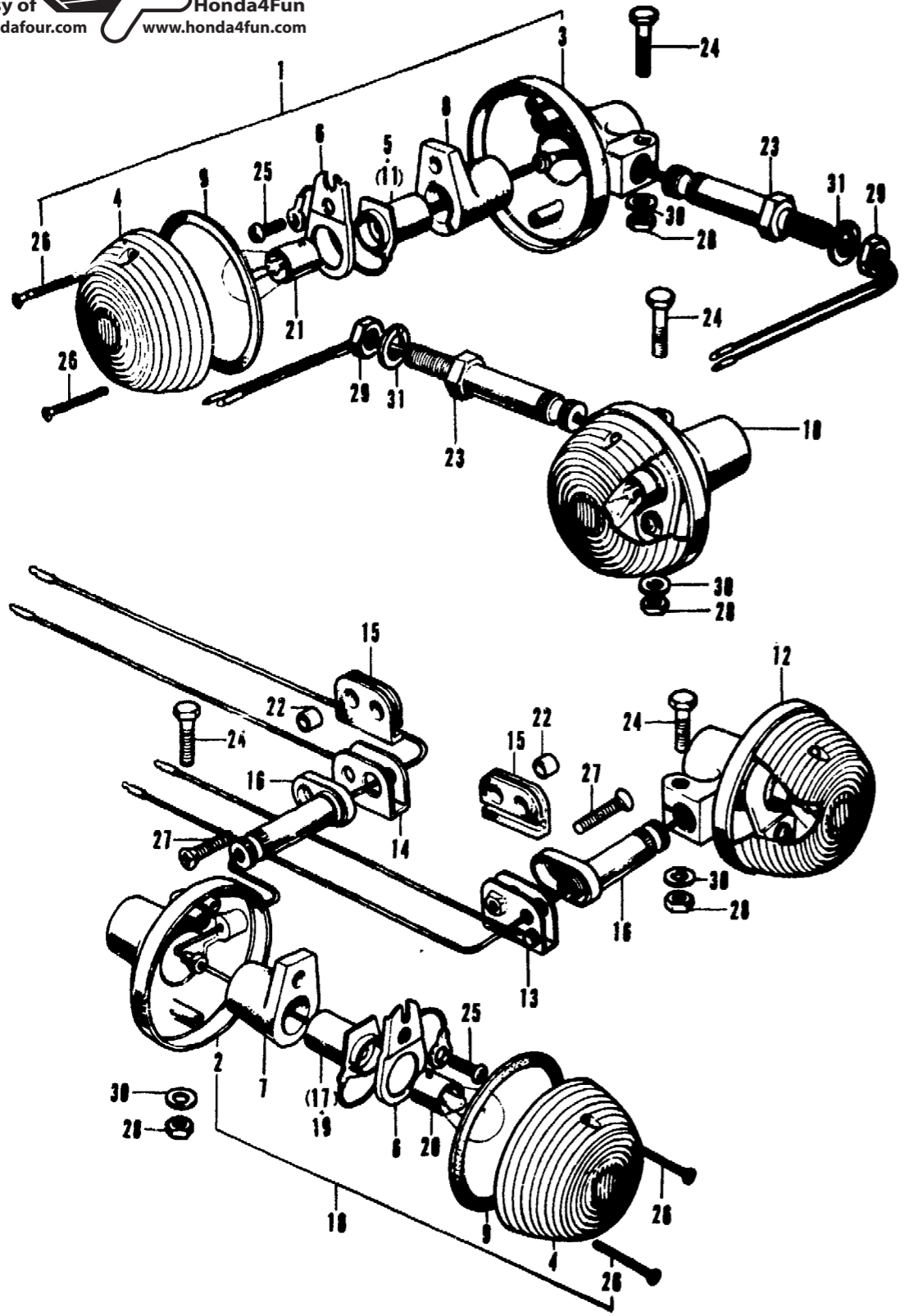
Ref. No.	Part No.	Description	Reqd. No.			Serial No.	Area Code
			CB750	K3	K4		
1	33100-341-701	LIGHT ASSY., HEAD (12V. 50/40W)	1	1	1		
2	33101-300-673	RIM, HEAD LIGHT	1	1	1		
3	33103-300-003	SCREW, HEAD LIGHT BEAM ADJUSTING	1	1	1		
4	33107-300-003	SPRING, HEADLIGHT BEAM ADJUSTING	1	1	1		
5	33117-292-003	NUT, BEAM ADJUST (STANLEY)	1	1	1		
6	33121-300-672	RING, RETAINING	1	1	1		
7	33125-292-670	SCREW, UNIT HOLDER	2	2	2		
8	33128-292-670	NUT, UNIT HOLDER	2	2	2		
9	33130-341-701	SOCKET, HEAD LIGHT CORD	1	1	1		
10	33153-300-671	RING, MOUNTING	1	1	1		
11	33321-341-701	UNIT, SEALD BEAM	1	1	1		
12	61301-300-0108	CASE, HEAD LIGHT	1	1	1		
13	61302-300-000	COLLAR, HEADLIGHT CASF	2	2	2		
14	61303-336-000	WASHER, HEADLIGHT CASE	2	2	2		
15	61304-292-000	COLLAR, HEADLIGHT SETTING	3	3	3		
16	92000-10025-08	BOLT, HEX., 10X25	2	2	2		
17	93500-03010-08	SCREW, PAN, 3X10	2	2	2		
18	93500-05016-08	SCREW, PAN, 5X16	3	3	3		
19	94101-10200	WASHER, PLAIN, 10MM	2	2	2		
20	94111-05000	WASHER, SPRING, 5MM	3	3	3		
21	94111-10800	WASHER, SPRING, 10MM	2	2	2		
22	94251-05000	PIN, LOCK, 5MM	2	2	2		

Courtesy of  Honda4Fun
www.hondafour.com www.honda4fun.com

F-23 Winker (CB750K3-CB750K4)

F-23 Winker (CB750K3-CB750K4)

Courtesy of  Honda4Fun
www.hondafour.com www.honda4fun.com

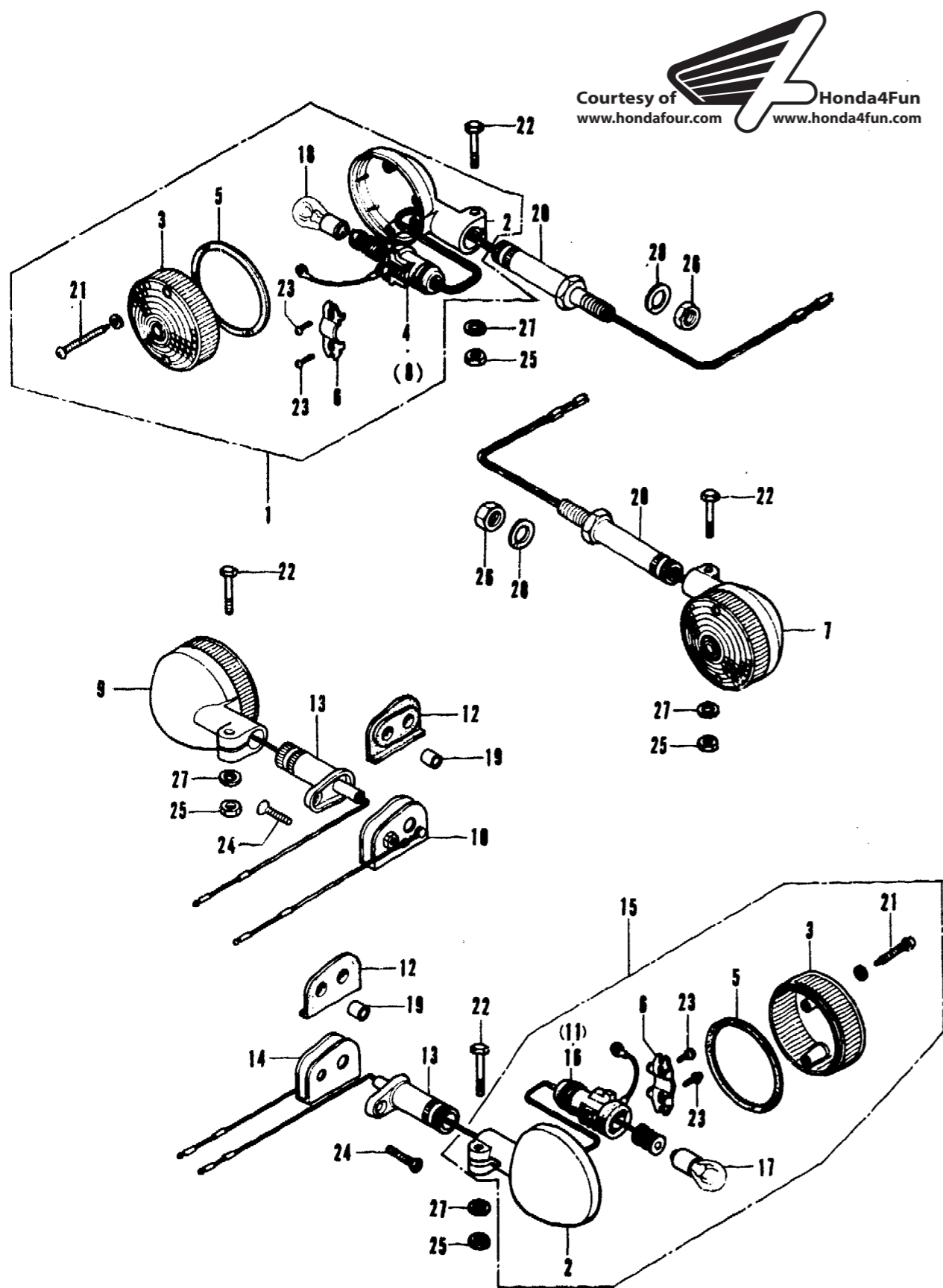


Ref. No.	Part No.	Description	Reqd. No.			Serial No.	Area Code
			CB750 K3	K4	K5		
1	33400-341-702	WINKER ASSY., R. FR.	1	1			
2	33401-292-003	BASE, WINKER	2	2			
3	33401-341-701	BASE, R. FR. WINKER	2	2			
4	33402-268-671	LENS, FR. WINKER	4	4			
5	33402-341-702	SOCKET, R. FR. WINKER	1	1			
6	33407-284-000	HOLDER, FR. WINKER SOCKET	4	4			
7	33408-284-000	RUBBER, WINKER CUSHION	2	2			
8	33408-341-701	RUBBER, WINKER CUSHION	2	2			
9	33443-268-671	PACKING, FR. WINKER LENS	4	4			
10	33450-341-702	WINKER ASSY., L. FR.	1	1			
11	33453-341-702	SOCKET COMP., L. FR. WINKER	1	1			
12	33600-300-000	WINKER ASSY., R. RR.	1	1			
13	33604-323-670	STOPPER, R. RR. WINKER	1	1			
14	33605-323-670	STOPPER, L. RR. WINKER	1	1			
15	33606-074-010	RUBBER, RR. WINKER MOUNT	2	2			
16	33607-323-670	STAY, R. RR. WINKER	2	2			
17	33610-300-000	SOCKET COMP., R. RR. WINKER	1	1			
18	33650-300-000	WINKER ASSY., L. RR.	1	1			
19	33660-300-000	SOCKET COMP., L. RR. WINKER	1	1			
20	34905-268-671	BULB, WINKER (12V 25W)	2	2			
21	34906-313-671	BULB, TAIL & STOP LIGHT (12V 23/8W)	2	2			
22	80108-061-000	COLLAR A, RR. FENDER	2	2			
23	90154-341-670	BOLT, FR. WINKER SETTING	2	2			
24	93000-06028-02	BOLT, HEX., 6X28	4	4			
25	93500-05008-0A	SCREW, PAN, 5X8	4	4			
26	93700-03025-0B	SCREW, OVAL, 3X25	8	8			
27	93700-06025-02	SCREW, OVAL, 6X25	2	2			
28	94001-06000	NUT, HEX., 6MM	4	4			
29	94001-12000-0S	NUT, HEX., 12MM	2	2			
30	94101-06000	WASHER, PLAIN, 6MM	4	4			
31	94111-12000	WASHER, SPRING, 12MM	2	2			

Courtesy of  Honda4Fun
www.hondafour.com www.honda4fun.com

F-23-1 Winker (CB750K5)

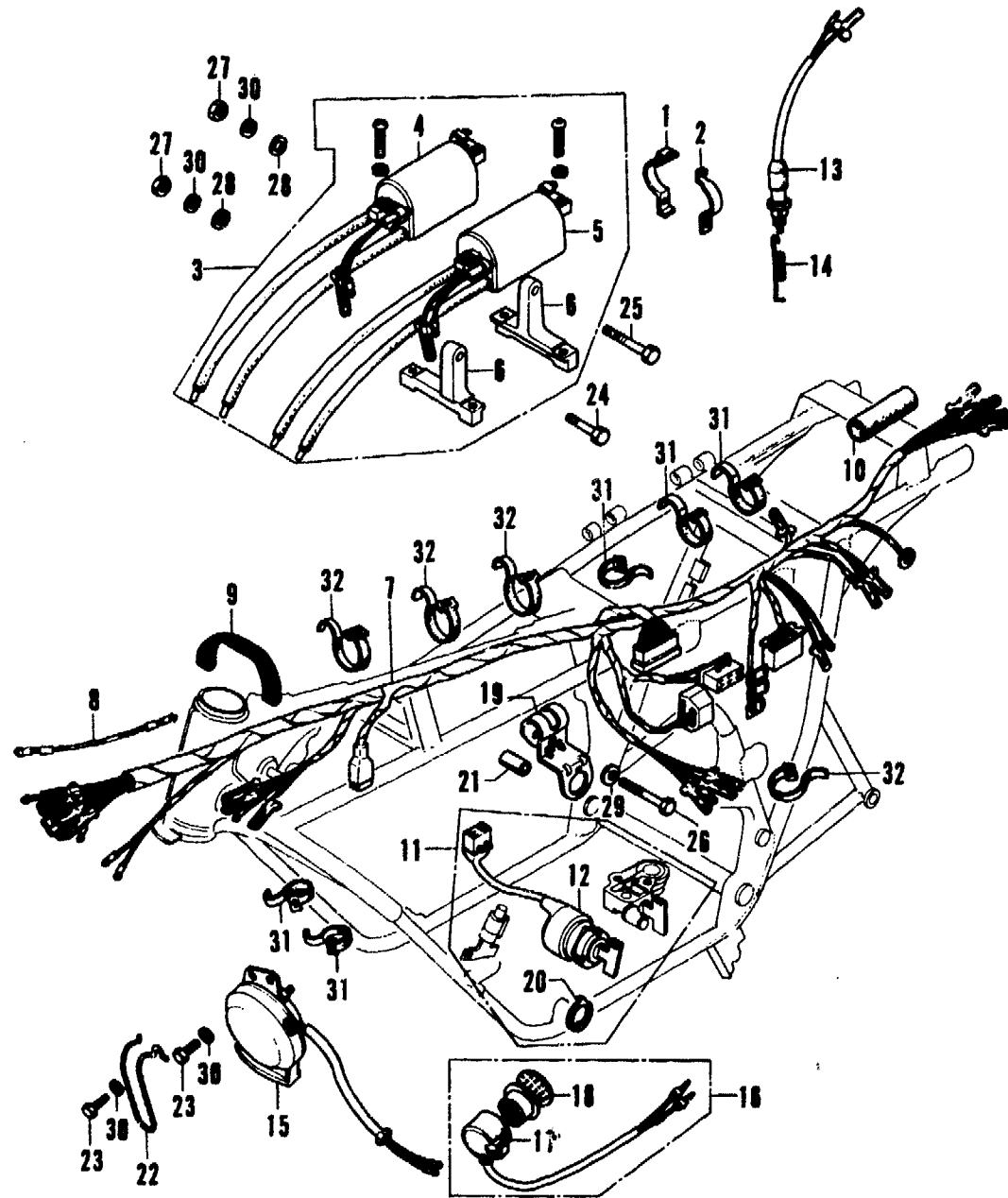
F-23-1 Winker (CB750K5)



Ref. No.	Part No.	Description	Reqd. No.			Serial No.	Area Code
			CB750	K3	K4		
1	33400-377-671	WINKER ASSY., R. FR.					
2	33401-377-671	BASE, R. FR. WINKER					
3	33402-377-671	LENS, FR. WINKER					
4	33405-377-671	SOCKET COMP., R. FR. WINKER					
5	33406-377-671	PACKING, WINKER LENS					
6	33407-377-671	HOLDER, FR. WINKER SOCKET					
7	33450-377-671	WINKER ASSY., L. FR.					
8	33455-377-671	SOCKET COMP., L. FR. WINKER					
9	33600-374-671	WINKER ASSY., R. RR.					
10	33604-374-670	STOPPER, R. RR. WINKER					
11	33605-374-671	SOCKET COMP., R. RR. WINKER					
12	33606-374-670	RUBBER, RR. WINKER MOUNT					
13	33607-374-670	STAY, R. RR. WINKER					
14	33609-374-670	STOPPER, L. RR. WINKER					
15	33650-374-671	WINKER ASSY., L. RR.					
16	33655-374-671	SOCKET COMP., L. RR. WINKER					
17	34905-268-671	BULB, WINKER (12V 25W)					
18	34906-313-671	BULB, TAIL & STOP LIGHT (12V 23/8W)					
19	80108-061-000	COLLAR A, RR. FENDER					
20	90154-374-670	BOLT, FR. WINKER SETTING					
21	90192-377-671	SCREW, PAN, 4X25					
22	93000-06035-02	BOLT, HEX., 6X35					
23	93500-03006-0A	SCREW, PAN, 3X6					2525946
	93500-03008-0H	SCREW, PAN, 3X8					2525947
24	93700-06025-02	SCREW, OVAL, 6X25					
25	94001-06000	NUT, HEX., 6MM					
26	94002-12000	NUT, HEX., 12MM					
27	94101-06000	WASHER, PLAIN, 6MM					
28	94111-12000	WASHER, SPRING, 12MM					

F-24 Wire Harness - Ignition Coil

F-24 Wire Harness - Ignition Coil

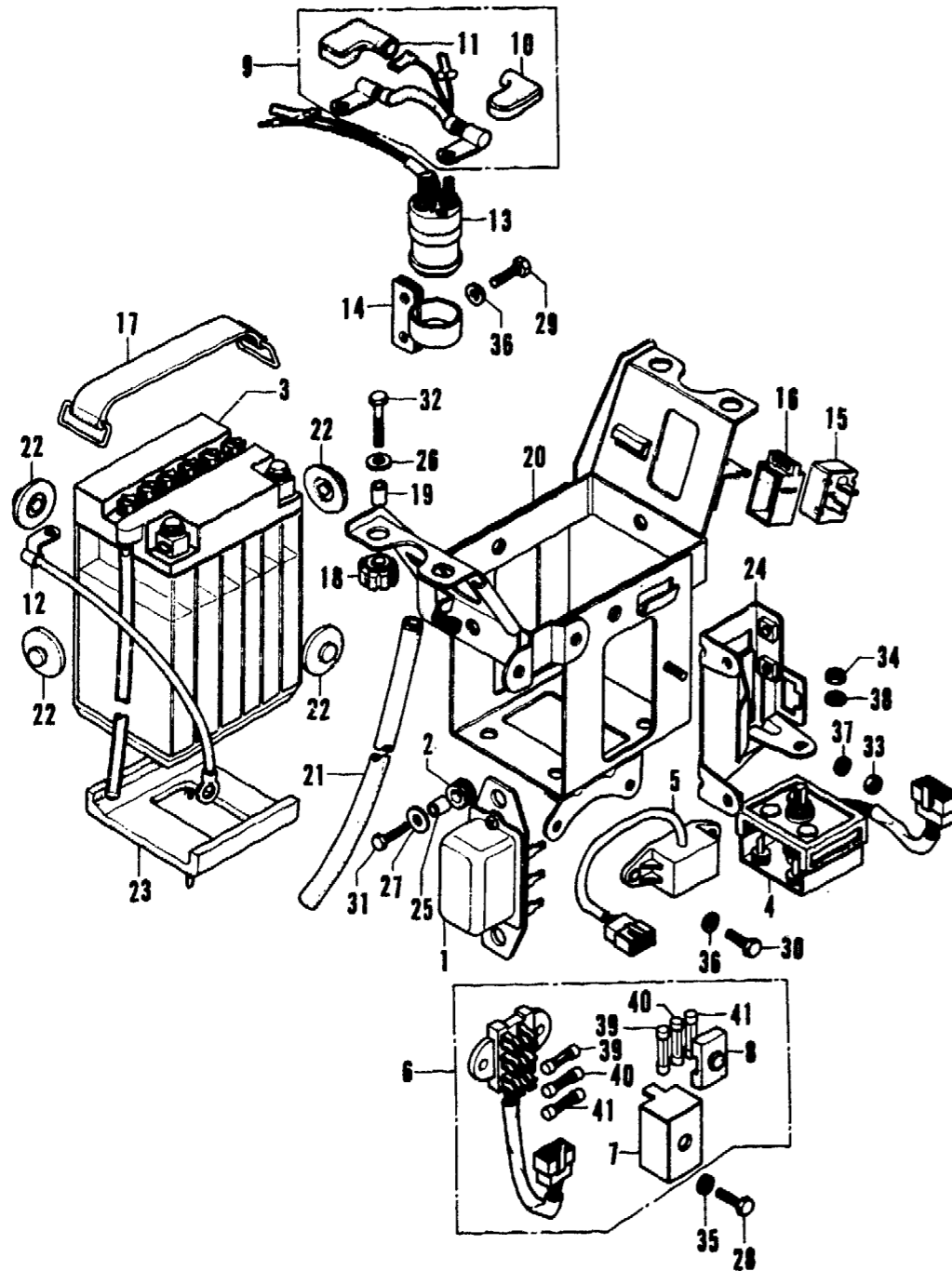


Ref. No.	Part No.	Description	Reqd. No.			Serial No.	Area Code
			CB750	K3	K4		
1	30151-300-000	BAND A, IGNITION COIL SETTING	1	1	1		
2	30152-300-000	BAND B, IGNITION COIL SETTING	1	1	1		
3	30500-300-013	COIL ASSY., IGNITION (TOYO)	1	1	1		
4	30501-300-003	COIL, R. IGNITION (TOYO)	1	1	1		
5	30502-300-003	COIL, L. IGNITION (TOYO)	1	1	1		
6	30511-300-000	BRACKET, IGNITION COIL	2	2	2		
7	32100-341-702	HARNESS, WIRE	1	1			2346793
	32100-341-703	HARNESS, WIRE	1	1			2346794
8	32107-341-670	SUB CORD B, WIRE HARNESS	1	1			2346794
9	32125-341-700	BAND, WIRE HARNESS SET	1	1	1		
10	33720-300-000	TUBE, WIRE CORD	1	1	1		
11	35020-341-700	SWITCH KIT, MAIN	1	1			
	35020-341-701	SWITCH SET, COMBINATION			1		
12	35100-341-700	SWITCH, MAIN	1	1			
	35100-374-000	SWITCH ASSY., COMBINATION			1		
13	35350-336-000	SWITCH ASSY., STOP	1	1	1		
14	35357-300-000	SPRING, STOP SWITCH	1	1	1		
15	38100-300-023	HORN ASSY. (MITSUBA)	1	1	1		
16	38400-341-674	BUZZER ASSY., WINKER	1	1	1		
17	38402-341-671	COVER, BUZZER	1	1	1		
18	38403-341-672	PLATE, WINKER BUZZER	1	1	1		
19	50375-300-000B	BRACKET, COMBINATION SWITCH	1	1	1		
20	50376-300-000	WASHER, COMBINATION SWITCH	1	1	1		
21	50377-300-000	COLLAR, COMBINATION SWITCH	1	1	1		
22	50462-323-000	CLAMP, TACHOMETER CABLE	1	1	1		
23	92000-06016	BOLT, HEX., 6X16	2	2	2		
24	92000-06025	BOLT, HEX., 6X25	1	1	1		
25	92000-06032	BOLT, HEX., 6X32	1	1	1		
26	92000-08040-0A	BOLT, HEX., 8X40	1	1	1		
27	94001-06000	NUT, HEX., 6MM	2	2	2		
28	94101-06000	WASHER, PLAIN, 6MM	2	2	2		
29	94101-08000	WASHER, PLAIN, 8MM	1	1	1		
30	94111-06000	WASHER, SPRING, 6MM	4	4	4		
31	95014-61100	BAND A1, WIRE	5	5	5		
32	95014-62200	BAND B2, WIRE	4	4	4		

F-25 Battery · Electric Base Plate

F-25 Battery · Electric Base Plate

Courtesy of Honda4Fun
www.hondafour.com www.honda4fun.com



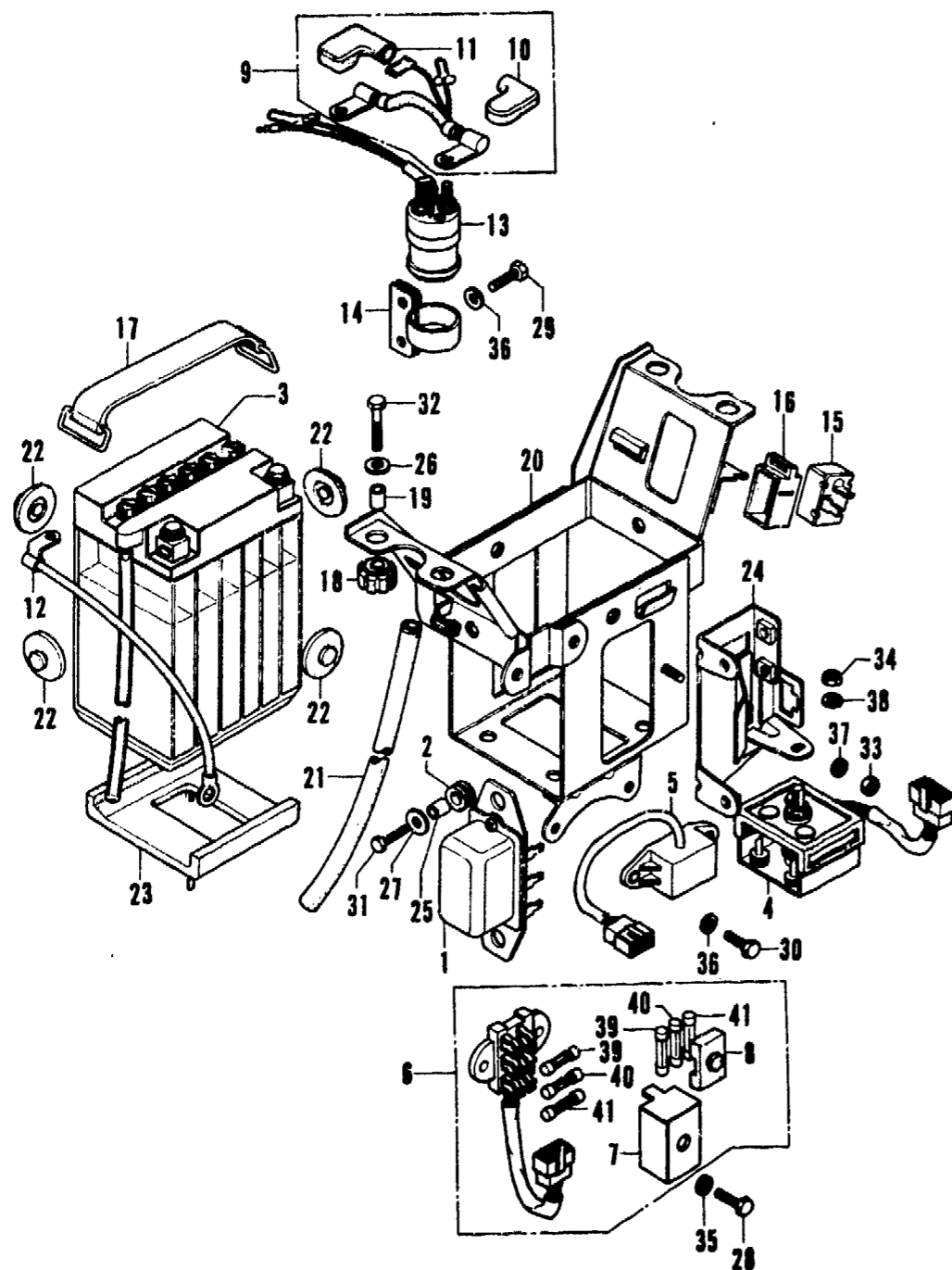
Ref. No.	Part No.	Description	Reqd. No.			Serial No.	Area Code
			CB750	K3	K4		
1	31400-300-035	REGULATOR ASSY. (HITACHI)	1	1	1		
2	31403-300-000	RUBBER; REGULATOR CUSHION	2	2	2		
3	31500-300-670	BATTERY ASSY.	1	1	1		
4	31700-341-015	RECTIFIER ASSY.	1	1	1		
5	31800-341-701	SAFETY UNIT; STARTING	1	1	1		
6	32110-341-702	BOX ASSY.; FUSE	1	1	1		
7	32117-341-702	COVER; FUSE BOX	1	1	1		
8	32118-341-702	GROMMET; FUSE	1	1	1		
9	32401-300-010	CABLE; STARTER BATTERY	1	1	1		
	32401-341-000	CABLE; STARTER BATTERY		1		2503720	
10	32412-300-010	COVER A; BATTERY TERMINAL	1	1	1		
11	32413-300-010	COVER B; BATTERY TERMINAL	1	1	1		
12	32601-300-000	CABLE; BATTERY EARTH	1	1	1		
13	35850-306-670	SWITCH ASSY.; STARTER MAGNETIC	1	1	1		
14	35851-300-000	STAY; STARTER MAGNETIC SWITCH	1	1	1		
15	38300-292-670	RELAY ASSY.; WINKER (SIGNAL STAT)	1	1	1		
16	38306-292-670	SUSPENSION; WINKER RELAY	1	1	1		
17	50322-300-010	BAND; BATTERY	1	1	1		
18	50323-300-010	RUBBER A; BATTERY	4	4	4		
19	50324-300-000	COLLAR; BATTERY BOX	4	4	4		
20	50325-341-700	BOX; BATTERY	1	1	1		
21	50326-341-670	TUBE ASSY.; BATTERY		1	1		
22	50327-300-000	RUBBER B; BATTERY	4	4	4		
23	50329-300-010	RUBBER C; BATTERY	1	1	1		
24	50330-341-000	PLATE; ELECTRIC BASE	1	1	1		
25	84706-286-000	COLLAR; NUMBER BRACKET SET	2	2	2		
26	90514-700-000	WASHER; TANK COLLAR LOCK	4	4	4		
27	90581-701-000	WASHER; 18MM	2	2	2		
28	92000-05014-0A	BOLT; HEX.; 5X14	2	2	2		
29	92000-06012	BOLT; HEX.; 6X12	2	2	2		

Courtesy of Honda4Fun
www.hondafour.com www.honda4fun.com

F-25 Battery • Electric Base Plate

F-25 Battery • Electric Base Plate

Courtesy of  Honda4Fun
 www.hondafour.com www.honda4fun.com

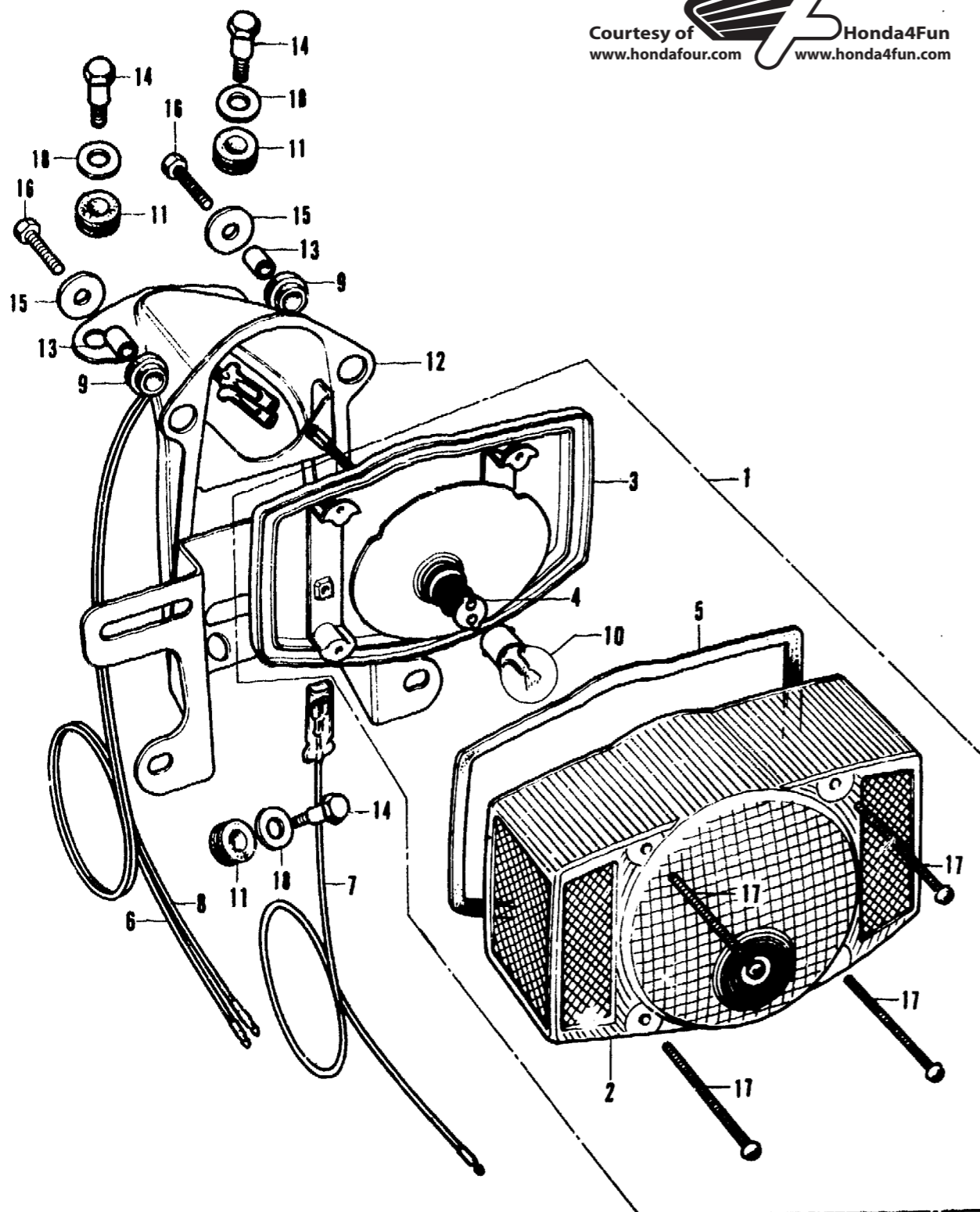


Ref. No.	Part No.	Description	Reqd. No.			Serial No.	Area Code
			CH750	K3	K4		
30	92000-06016	BOLT, HEX., 6X16	2	2	2		
31	92000-06020	BOLT, HEX., 6X20	2	2	2		
32	92000-06025	BOLT, HEX., 6X25	4	4	4		
33	94001-06000	NUT, HEX., 6MM	1	1	1		
34	94001-08000-0S	NUT, HEX., 8MM	1	1	1		
35	94101-05000	WASHER, PLAIN, 5MM	2	2	2		
36	94101-06000	WASHER, PLAIN, 6MM	4	4	4		
37	94111-06000	WASHER, SPRING, 6MM	1	1	1		
38	94111-08000	WASHER, SPRING, 8MM	1	1	1		
39	98200-10500	FUSE, 5A	2	2	2		
40	98200-10700	FUSE, 7A	2	2	2		
41	98200-11500	FUSE, 15A	2	2	2		

Courtesy of  Honda4Fun
 www.hondafour.com www.honda4fun.com

F-26 Tail Light


 Courtesy of www.hondafour.com www.honda4fun.com



300-76B

F-26 Tail Light

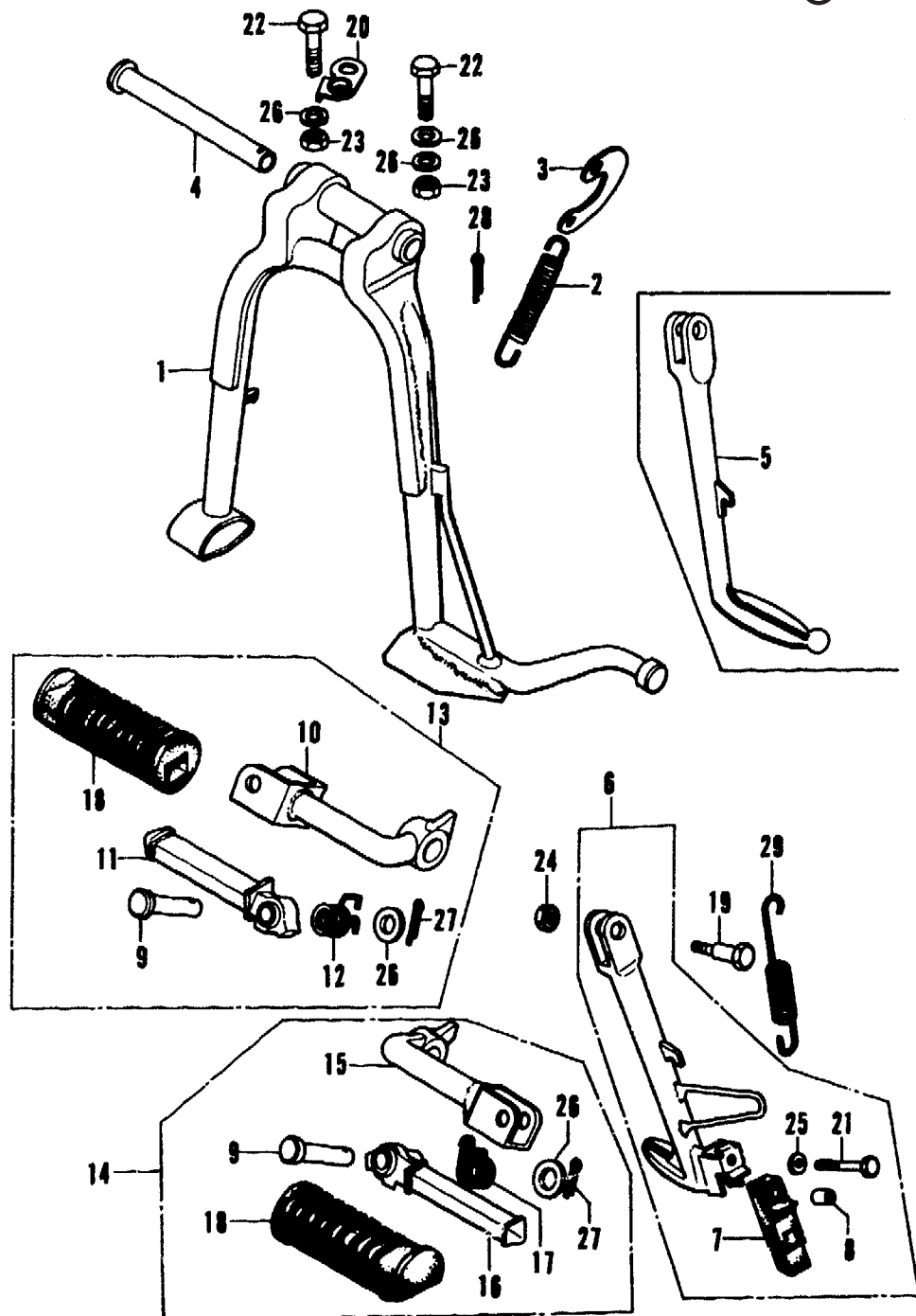
Ref. No.	Part No.	Description	Reqd. No.			Serial No.	Area Code
			CB750	K3	K4		
1	33701-341-671	LIGHT UNIT, TAIL	1	1	1		
2	33702-341-671	LENS, TAILLIGHT	1	1	1		
3	33703-341-671	BASE COMP., TAIL LIGHT	1	1	1		
4	33708-341-671	CORD COMP., TAILLIGHT	1	1	1		
5	33709-341-671	PACKING, TAILLIGHT	1	1	1		
6	33711-323-000	CORD, TAIL LIGHT SUB	1	1	1		
7	33712-300-003	CORD, TAIL LIGHT EARTH (STANLEY)	1	1	1		
8	33713-323-000	CORD, STOP LIGHT SUB	1	1	1		
9	33719-077-671	PACKING B, TAIL LIGHT BASE	2	2	2		
10	34906-341-671	BULB, TAIL & STOP LIGHT (12V 32/3CP)	1	1	1		
11	80101-283-000	RUBBER, RR. FENDER CUSHION	4	4	4		
12	84701-341-670XW	BRACKET, NUMBER PLATE	1	1	1		
13	84706-341-000	COLLAR, NUMBER PLATE BRACKET	2	2	2		
14	90162-292-000	BOLT, FR. FENDER SETTING	4	4	4		
15	90581-310-000	WASHER, PLAIN, 20MM	2	2	2		
16	92000-05020-08	BOLT, HEX., 5X20	2	2	2		
17	93500-04055-4J	SCREW, PAN, 4X55	4	4	4		
18	94101-08200	WASHER, PLAIN, 8MM	4	4	4		


 Courtesy of www.hondafour.com www.honda4fun.com

F-27 Stand • Step

F-27 Stand • Step


 Courtesy of www.honda4fun.com



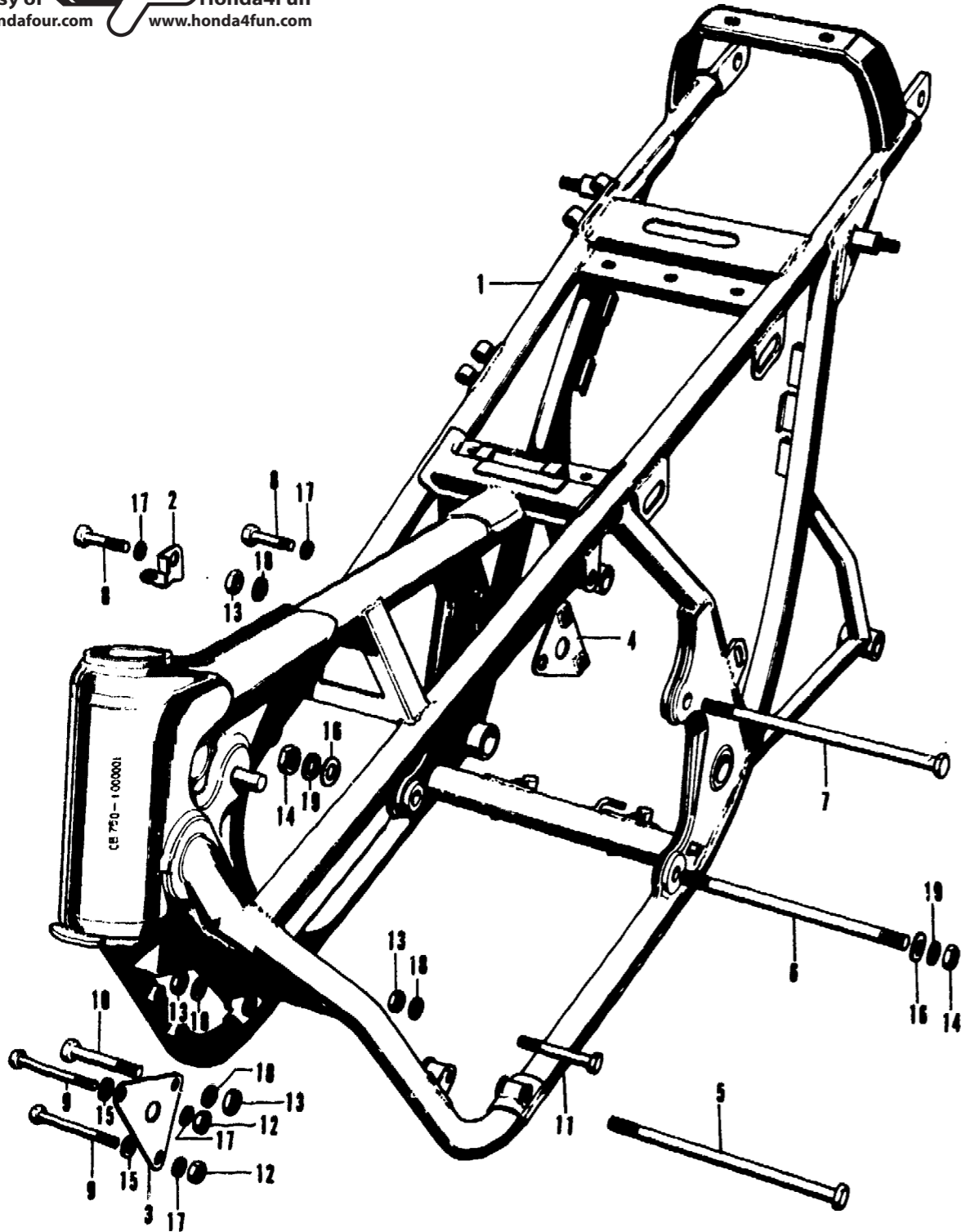
Ref. No.	Part No.	Description	Reqd. No.			Serial No.	Area Code
			CB750	K3	K4		
1	50500-300-020B	STAND COMP., MAIN	1	1	1		
2	50522-300-010	SPRING, MAIN STAND 95014-71700	1	1	1		
3	50523-300-010	PLATE, MAIN STAND SPRING	1	1	1		
4	50526-300-000	PIPE, MAIN STAND PIVOT	1	1	1		
5	50530-341-670	BAR, SIDE STAND	1	1			
6	50540-341-670	BAR ASSY., SIDE STAND					1
7	50548-356-700	RUBBER, STAND					1
8	50549-356-700	COLLAR, STAND RUBBER SET					1
9	50603-033-000	PIN, STEP BAR JOINT	2	2	2		
10	50615-341-670	BAR COMP., R. STEP	1	1	1		
11	50616-310-000	ARM COMP., R. STEP	1	1	1		
12	50617-300-670	SPRING, R. STEP RETURN	1	1	1		
13	50630-341-670	STEP ASSY., R.	1	1	1		
14	50640-300-670B	STEP ASSY., L.	1	1	1		
15	50641-300-670B	BAR COMP., L. STEP	1	1	1		
16	50642-310-000	ARM COMP., L. STEP	1	1	1		
17	50644-300-670	SPRING, L. STEP RETURN	1	1	1		
18	50661-310-000	RUBBER, STEP	2	2	2		
19	90108-283-000	SCREW, SIDE STAND PIVOT	1	1	1		
20	90514-323-000	WASHER, BATTERY BREATHER GUIDE	1	1	1		
21	92000-0602B	BOLT, HEX., 6X2B					1
22	92000-08040-0A	BOLT, HEX., 8X40	2	2	2		
23	94001-08000-0S	NUT, HEX., 8MM	2	2	2		
24	94002-10000-0S	NUT, HEX., 10MM	1	1	1		
25	94101-06000	WASHER, PLAIN, 6MM					1
26	94101-08000	WASHER, PLAIN, 8MM	5	5	5		
27	94201-16150	PIN, SPLIT, 1.6X15	2	2	2		
28	94201-25300	PIN, SPLIT, 2.5X30	1	1	1		
29	95014-72400	SPRING D, SIDE STAND	1	1	1		

N 10

F-28 Frame Body

F-28 Frame Body

Courtesy of  Honda4Fun
www.hondafour.com www.honda4fun.com



Ref. No.	Part No.	Description	Reqd. No.			Serial No.	Area Code
			CB750	K3	K4		
1	50010-341-010B	FRAME BODY SET	1	1	1		
2	50156-300-020	BRACKET, STOP SWITCH	1	1	1		
3	50351-300-040B	BRACKET, FR. ENGINE HANGER	1	1	1		
4	50356-300-010B	BRACKET, RR. ENGINE HANGER	1	1	1		
5	90152-300-010	BOLT A, ENGINE HANGER	1	1	1		
6	90155-300-000	BOLT, RR. ENGINE HANGER LOWER	1	1	1		
7	90156-300-000	BOLT C, ENGINE HANGER	1	1	1		
8	92000-08045-0A	BOLT, HEX., 8x45	2	2	2		
9	92200-08056-0A	BOLT, HEX., 8x56	2	2	2		
10	92200-10050-0A	BOLT, HEX., 10x50	1	1	1		
11	92200-10080-0A	BOLT, HEX., 10x80	1	1	1		
12	94001-08000-0S	NUT, HEX., 8MM	2	2	2		
13	94030-10200	NUT, HEX., 10MM	4	4	4		
14	94030-12200	NUT, HEX., 12MM	2	2	2		
15	94101-08000	WASHER, PLAIN, 8MM	2	2	2		
16	94101-12000	WASHER, PLAIN, 12MM	2	2	2		
17	94111-08000	WASHER, SPRING, 8MM	4	4	4		
18	94111-10000	WASHER, SPRING, 10MM	4	4	4		
19	94111-12000	WASHER, SPRING, 12MM	2	2	2		

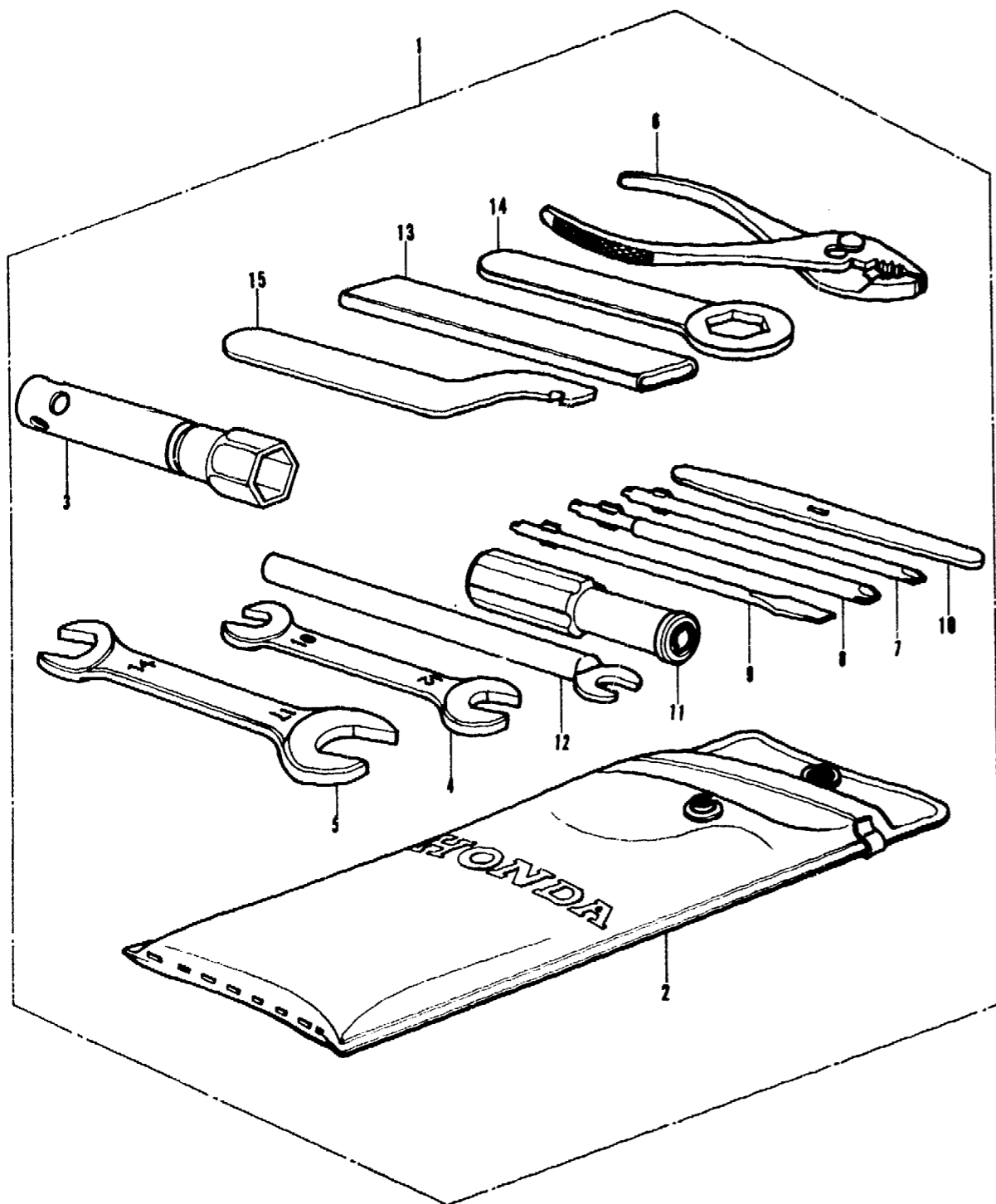
B300-70
300-70A

Courtesy of  Honda4Fun
www.hondafour.com www.honda4fun.com

F-29 Tool

F-29 Tool

Courtesy of Honda4Fun
www.hondafour.com www.honda4fun.com



Ref. No.	Part No.	Description	Reqd. No.			Serial No.	Area Code
			CB750	K3	K4		
1	89010-341-010	TOOL SET	1	1	1		
2	89101-300-010	BAG, TOOL	1	1		2346793	
	99008-02000	BAG, TOOL, 200MM	1			2346794	
					1		
3	89216-300-000	WRENCH, SPERK PLUG	1	1	1		
4	99001-10120	SPANNER, 10X12	1	1	1		
5	99001-14170	SPANNER, 14X17	1	1	1		
6	99002-13500	PLIERS, 135	1	1	1		
7	99003-10000	DRIVER, PLUS, #2	1	1	1		
8	99003-20000	DRIVER, PLUS, #3	1	1	1		
9	99003-30000	DRIVER, MINUS, #2	1	1	1		
10	99003-40000	LEVER	1	2	1		
11	99003-50000	GRIP	1	1	1		
12	99005-02000	BAR B, HANDLE	1	1	1		
13	99006-12000	HANDLE, EYE WRENCH, 120MM	1	1	1		
14	99006-26000	WRENCH, EYE, 26MM	1	1	1		
15	99007-45000	SPANNER, PIN, 45MM	1	1	1		

Courtesy of Honda4Fun
www.hondafour.com www.honda4fun.com