



HONDA

CB750·CB750K1



Courtesy of



Honda4Fun

www.honda4fun.com

www.honda4fun.com

PARTS LIST

HONDA GENUINE PARTS

4

PARTS LIST

FOR

HONDA

CB750 • CB750K1 • CB750P

FOREWORD

This parts list contains all the spare parts for the CB750, CB750K1, and CB750P models and is to be used for ordering spare parts. The frame number must be forwarded together with any parts order. The reason for this is that it is necessary to verify that the parts being ordered are applicable to the model series intended.

No supplement to this parts list will be issued. In case of any change to its content, no notification or supplement will be issued for this parts list. However, a revised edition of this parts list will be issued to maintain it up-to-date. The revised edition can be identified by the revision No. on the cover. To check on the latest parts list revision, please contact your nearest distributor.

This book is a courtesy of Honda4Fun (www.honda4fun.com - www.honda4fun.com).

June 21, 1971

HONDA MOTOR CO., LTD.

GROUP INDEX

INSTRUCTION
FOR
USE OF PARTS LIST

II ~ III

ENGINE GROUP

2 ~ 63

FRAME GROUP

64 ~ 155

POLICE MODELS

158 ~ 179

PART NO. INDEX

(1) ~ (12)

INSTRUCTION FOR USE OF PARTS LIST

DESCRIPTION OF PARTS LIST

1. Make-up of the Part Number

The following example is the definition of part number.

(Example)

	61301	200	01	0	CQ
Function and Component No.	_____		_____	_____	_____
Model Code No.	_____		_____	_____	_____
Modification Designation	_____		_____	_____	_____
Subcontractor Designation	_____		_____	_____	_____
Color Code	_____		_____	_____	_____

2. Abbreviations

The abbreviations used in this parts list are as follows.

ASSY.	Assemble
COMP.	Complete
hex.	hexagonal
22T	22 teeth

3. Dimensions

All dimensions are in millimeters except for the steel balls and wheels.

Parts	Example	Interpretation
Bolt (Screw)	6x13	6 mm diameter, 13 mm length
Pin	8x14	8 mm diameter, 14 mm length
O-Ring	9.5 x 1.5	9.5 mm diameter, 1.5 mm thickness
Oil seal	14 x 24 x 5	14 mm inside diameter, 24 mm outside diameter, 5 mm thickness
Tube	6 x 130	6 mm inside diameter, 130 mm length

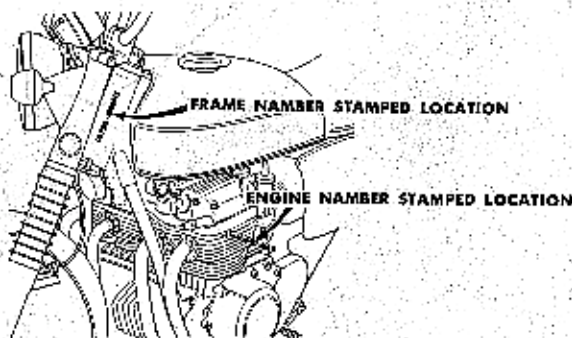
4. Quantity used

In the column "Reqd. No." is shown the quantity of parts used in the respective group.

5. Applicable Serial No.

The serial numbers to which the part is applicable are shown in the column headed with "No. used on".

Engine group will show the engine serial numbers and the frame serial numbers. Serial numbers are stamped in the following locations.



The initial serial numbers for models are as follows, however they are not indicated in the column headed with "From".

CB750 Engine No. CB750E-1000001

Frame No. CB750-1000001

* Engine and frame numbers for CB750 and CB750K1 are stamped with serial numbers.

6. Parts with O marks:

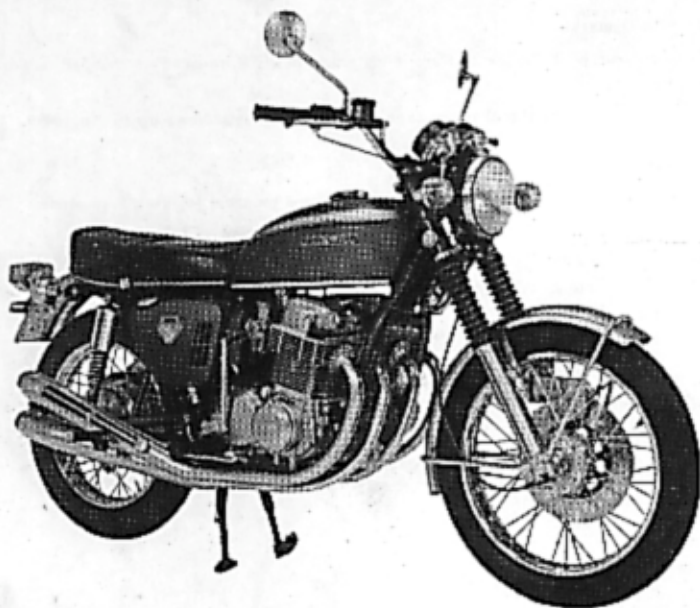
Those parts marked O in the text are items either newly introduced or changed in this issue.

7. This Parts List covers the changes announced by the Parts News up to No. 0099.

8. For reference:

Frame numbers listed below are the initial serial/frame numbers for each area model.

A: U.S.A. type.....	CU750-1000001~
E: England type.....	CB750-1033369~
G: German type.....	CB750-1005084~
F: French type.....	CB750-10001495~
U: Australia type.....	CB750-1005130~
H: Netherlands type.....	CB750-1031084~
D: General export type.....	CB750-1066902~
E.D.: European direct sales type.....	CB750-1085582~



CB750

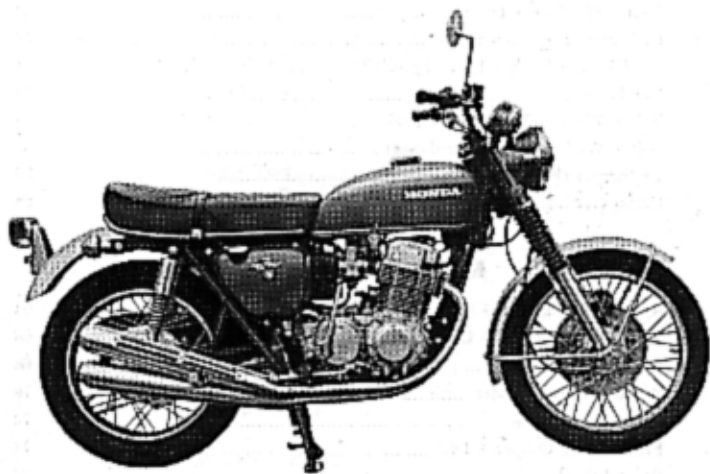
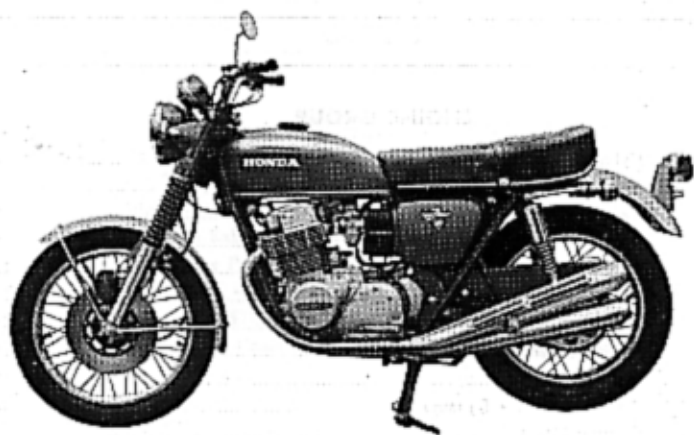
Courtesy of



Honda4Fun

www.honda4fun.com

www.honda4fun.com



CB750K1

Courtesy of



Honda4Fun

www.honda4fun.com

www.honda4fun.com

CONTENTS

Block No.	Nomenclature	Page
-----------	--------------	------

ENGINE GROUP

E - 1	Cylinder Head Cover	2
E - 2	Valve • Rocker Arm	4
E - 3	Camshaft • Holder	6
E - 4	Cylinder Head • Insulator	8
E - 5	Cylinder • Piston	12
E - 6	Cam Chain • Tensioner	14
E - 7	Contact Breaker • Spark Advancer	16
E - 8	Clutch Cover	18
E - 9	Clutch	20
E - 10	A.C. Generator • Dynamo Cover	22
E - 11	Starting Motor	24
E - 12	Mission Cover • Rear Cover	26
E - 13	Gear Shift • Drum Stopper	28
E - 14	Oil Filter • Oil Pan	30
E - 15	Oil Pump	32
E - 16	Primary Tensioner	34
E - 17	Crankshaft	36
E - 18	Transmission	38
E - 19	Gear Shift Fork • Drum	40
E - 20	Kick Starter • Spindle	42
E - 21	Final Driven Shaft • Drive Sprocket	44
E - 22	Crankcase	46
E - 23	Bolt • Washer (Upper crankcase)	48
E - 24	Bolt • Washer (Lower crankcase)	50
E - 25	Carburetor (KEIHIN)	52
E - 26	Carburetor	58

FRAME GROUP

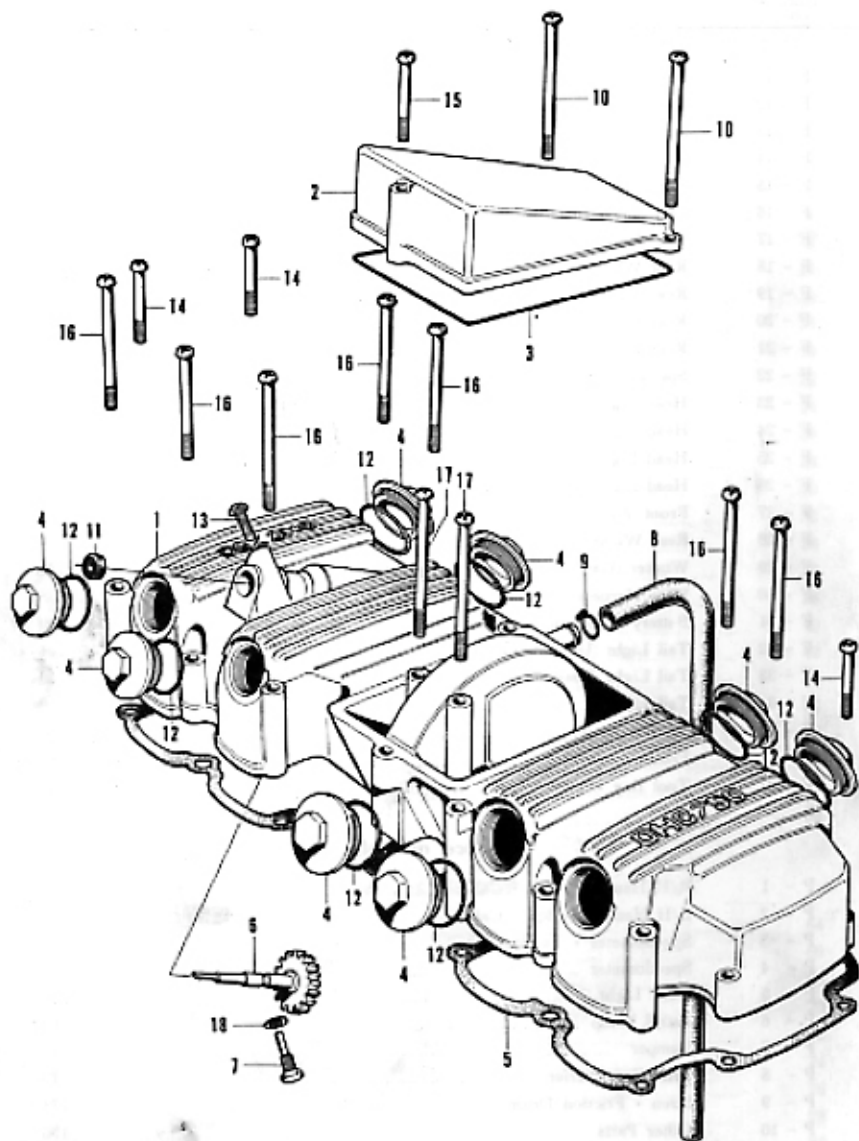
F - 1	R/H Handle Switch • Cable	64
F - 2	L/H Handle Switch • Cable	66
F - 3	Handle • Top Bridge	68
F - 4	Brake Master Cylinder	70
F - 5	Front Brake Hose	72
F - 6	Front Brake Caliper • Disk	74
F - 7	Front Wheel	76
F - 8	Front Cushion	78
F - 9	Steering Stem	82
F - 10	Front Fender	84

Block No.	Nomenclature	Page
F - 11	Fuel Tank • Cock	86
F - 12	Double Seat	90
F - 13	Air Cleaner Case • Element	92
F - 14	Oil Tank • Tank & Battery Cover	96
F - 15	Right Side Exhaust Muffler	100
F - 16	Left Side Exhaust Muffler	104
F - 17	Rear Brake Pedal • Panel	108
F - 18	Rear Wheel • Driven Sprocket	110
F - 19	Rear Cushion	114
F - 20	Rear Fork • Chain Case	116
F - 21	Rear Fender	120
F - 22	Speedometer • Tachometer	122
F - 23	Head Light (Used in Australia & General export)	124
F - 24	Head Light (Used in England - Germany & E.D.)	126
F - 25	Head Light (Used in France & Netherlands)	128
F - 26	Head Light (Used in U.S.A.)	130
F - 27	Front Winker	132
F - 28	Rear Winker	134
F - 29	Winker (Used in Germany & Netherlands)	136
F - 30	Wipe Harness	138
F - 31	Battery • Electric	140
F - 32	Tail Light (Used in England)	144
F - 33	Tail Light (Used in Germany & Netherlands)	146
F - 34	Tail Light	148
F - 35	Stand • Step	150
F - 36	Frame	152
F - 37	Tool Bag • Tool	154

Police models

P - 1	R/H Handle Switch • Cable	158
P - 2	L/H Handle Switch • Cable	160
P - 3	Speedometer • Tachometer	162
P - 4	Speedometer	164
P - 5	Head Light	166
P - 6	Patrol Lamp	168
P - 7	Bumper	170
P - 8	Brief Box Carrier	172
P - 9	Siren • Friction Drum	174
P - 10	Other Parts	176
	Index	(1)

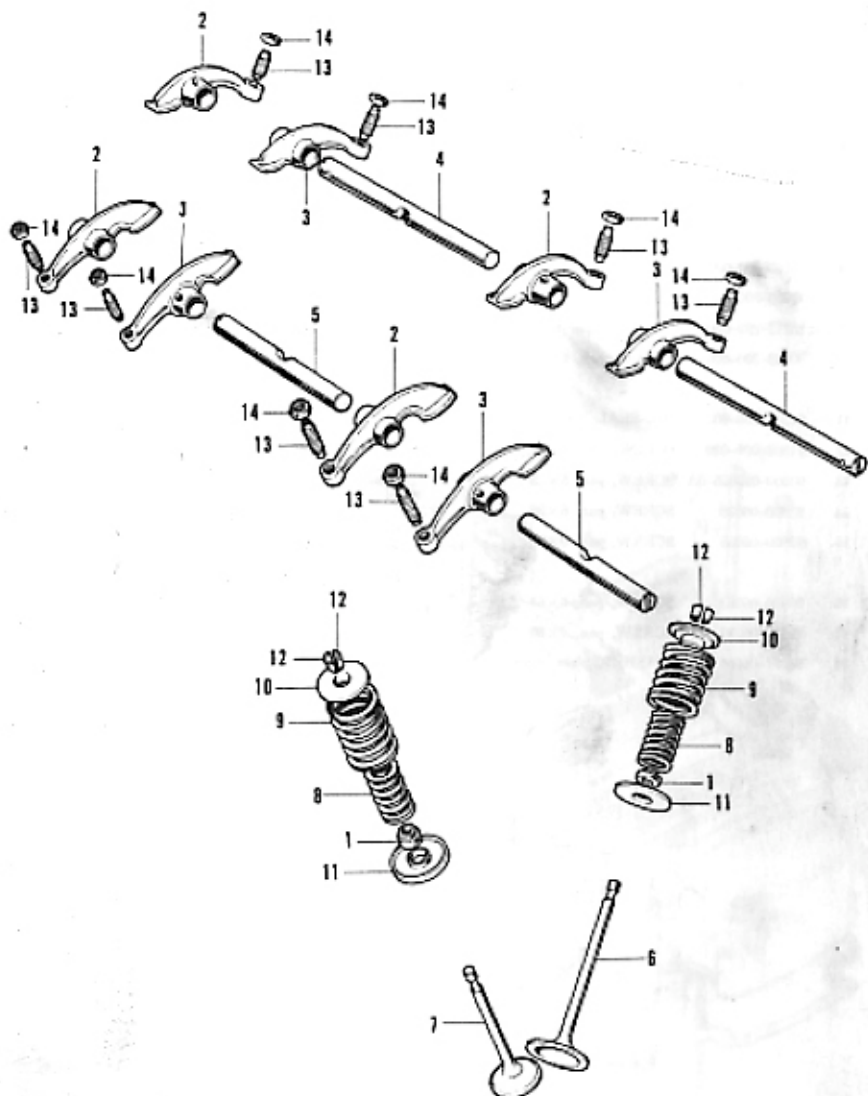
E-1 Cylinder Head Cover



E-1 Cylinder Head Cover

Ref. No.	Part No.	Description	Reqd. No. CB750	Remarks
1	12310-300-030	(Superseded by 12310-300-040)		
	12310-300-040	COVER, cylinder head	1	
2	12321-300-010	COVER, head breather.....	1	~1010037
	12321-300-020	COVER, head breather.....	1	CB750E-1010338~
3	12329-300-020	GASKET, breather cover	1	
4	12361-300-000	CAP, tappet adjusting hole	8	
5	12391-300-030	GASKET, cylinder head cover	1	
6	12431-300-010	GEAR, tachometer	1	
7	12435-300-003	BOLT, tachometer gear stopper	1	
8	15763-300-000	TUBE C, breather	1	~1044805
	15763-300-303	TUBE C, breather	1	CB750E-1044806~
9	15772-292-010	CLIP, breather tube	1	
10	90018-300-000	SCREW, pan, 6 x 75	2	
11	91211-280-003	OIL-SEAL, 4.8x14.5x4 (ARAI)	1	
12	91302-001-020	O-RING, 30.8 mm	8	
13	93500-050025-0A	SCREW, pan, 5 x 25	1	
14	93500-06036	SCREW, pan, 6 x 36	4	
15	93500-06056	SCREW, pan, 6 x 56	1	
16	93500-06063	SCREW, pan, 6 x 63	10	
17	93500-06080	SCREW, pan, 6 x 80	2	
18	94101-06000	WASHER, plain, 6 mm.....	1	

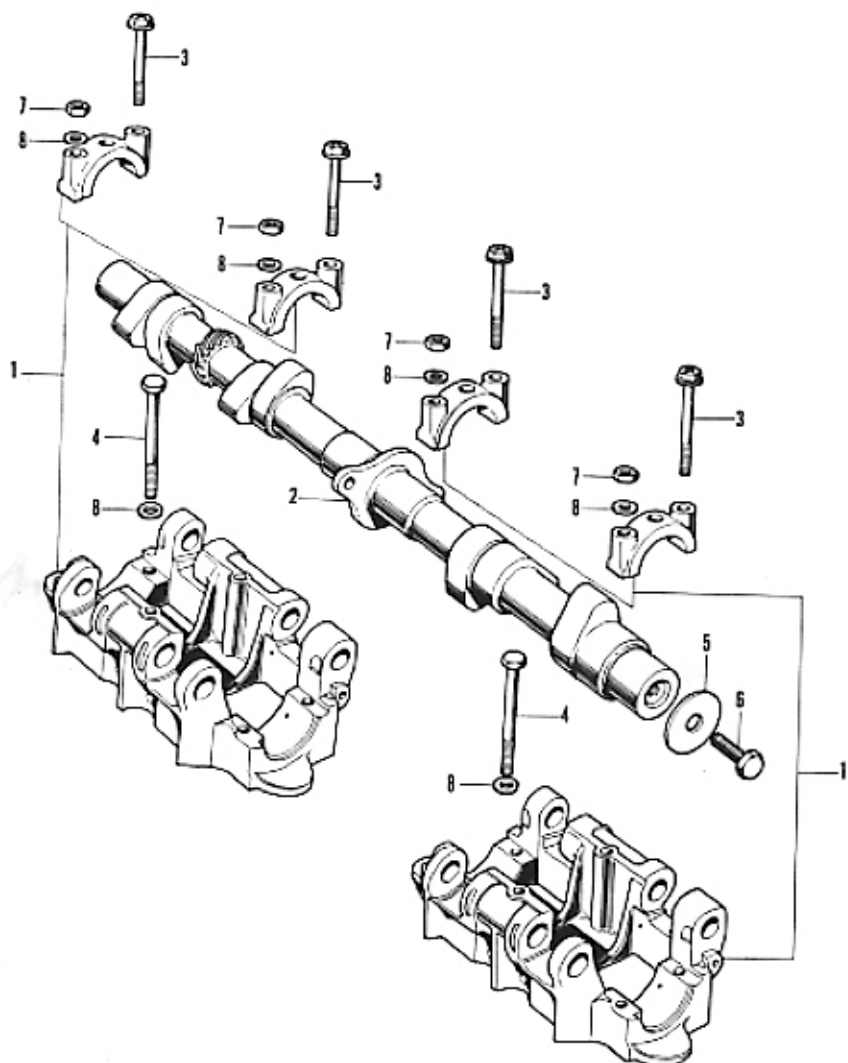
E-2 Valve · Rocker Arm



E-2 Valve - Rocker Arm

Ref. No.	Part No.	Description	Reqd. No. CB750	Remarks
1	1229-300-000	SEAL, valve stem	5	~1014995
		(Available for inlet side only).....	4	CB750E-1014995~
2	14431-300-030	ARM A, valve rocker	4	
3	14432-300-030	ARM B, valve rocker	4	
4	14461-300-000	SHAFT, inlet rocker arm	2	~1010337
	14461-300-010	SHAFT, inlet rocker arm	2	CB750E-1010338~
5	14462-300-000	SHAFT, exhaust rocker arm	2	
6	14711-300-005	VALVE, inlet (MITSUBISHI)	4	
7	14721-300-005	VALVE, exhaust (MITSUBISHI)	4	
8	14761-300-000	SPRING, valve inner.....	5	
9	14761-300-000	SPRING, valve outer.....	5	
10	14771-551-020	RETAINER, valve spring	5	
11	14775-300-000	SEAT, valve spring	5	
12	14781-551-000	COTTER, valve	16	
13	90012-300-000	SCREW, tappet adjusting.....	5	
14	90206-250-000	NUT, tappet adjusting	5	

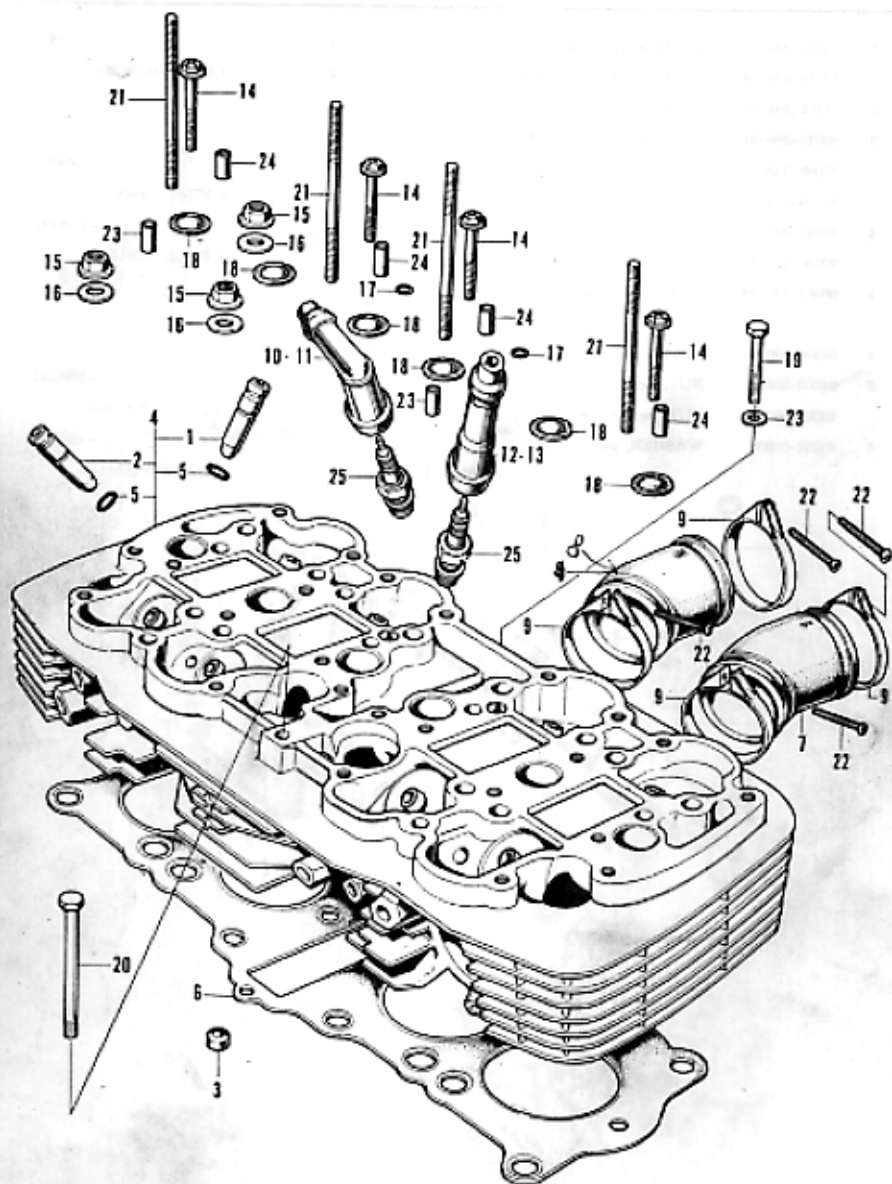
E-3 Camshaft - Holder



E-3 Camshaft - Holder

Ref. No.	Part No.	Description	Reqd. No. CB750	Remarks
1	12010-300-020	HOLDER-SET, camshaft.....	2	~1010337
	12010-300-030	HOLDER-SET, camshaft.....	2	CB750E-1010338-
2	14101-300-020	CAMSHAFT	1	
3	90043-300-000	(Superseded by 92000-05056)		
	92000-05056	BOLT, hex, 6x56.....	4	~1064902
	95700-06000	BOLT, flange, 6x60.....	4	CB750E-1064903~
4	90051-300-000	BOLT, hex, 6x63.....	4	~1025143
	90052-300-000	BOLT, stopper, rocker arm shaft.....	4	CB750E-1025144~
5	90453-300-000	WASHER, thrust, 8 mm.....	1	
6	92100-06020	BOLT, hex, 8x20.....	1	
7	94002-06000	NUT, hex, 6 mm.....	4	~1025143
	94001-06000	NUT, hex, 6 mm.....	4	CB750E-1025144~
8	94101-06000	WASHER, plain, 6 mm.....	8	~1025143
			4	CB750E-1025144~

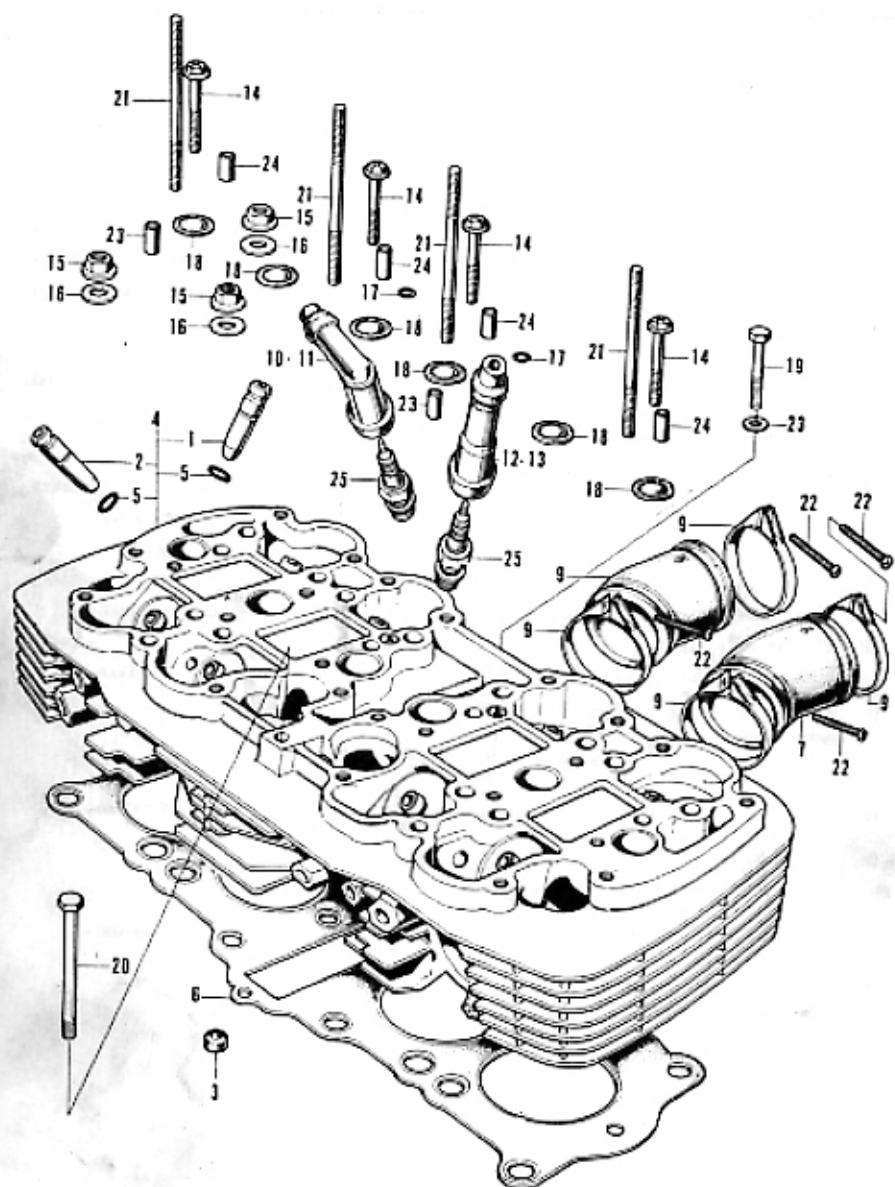
E-4 Cylinder Head - Insulator



E-4 Cylinder Head - Insulator

Ref. No.	Part No.	Description	Reqd. No. CB750	Remarks
1	12025-300-300	GUIDE, inlet valve	4	
2	12027-300-300	GUIDE, exhaust valve	4	~104495
	12027-300-310	GUIDE, exhaust valve	4	CB750E-104496~
3	12195-300-000	(Superseded by 12620-286-000)		
	12620-286-000	RUBBER, insert	12	~1026143
			8	CB750E-1026144~
4	12300-300-040	(Superseded by 12300-300-060)	1	~1026143
	12300-300-060	HEAD COMP., cylinder	1	CB750E-1026144~1044806
	12300-300-070	HEAD COMP., cylinder	1	CB750E-1044806~
5	12211-250-310	CLIP, valve guide	6	
6	12251-300-020	(Superseded by 12251-300-030)	1	~1026143
	12251-300-030	GASKET, cylinder head	1	CB750E-1026144~
7	16211-300-020	(Superseded by 16211-300-305)		
	16211-300-305	INSULATOR A, carburetor	2	~1044806
	16211-300-020	INSULATOR A, carburetor	2	CB750E-1044806~
8	16212-300-020	(Superseded by 16212-300-305)		
	16212-300-305	INSULATOR B, carburetor	2	~1044806
	16212-300-020	INSULATOR B, carburetor	2	CB750E-1044806~
9	17255-300-020	BAND, connecting tube	8	~1044806
	17255-300-010	BAND, insulator	8	CB750E-1044806~
10	30700-300-000	(Superseded by 30700-300-010)		
	30700-300-010	CAP ASSY. A, noise suppresser (Used in U.S.A.)	2	
11	30700-300-020	CAP ASSY. A, noise suppresser (Not used in U.S.A.)	2	CB750E-1003480~
12	30710-300-000	(Superseded by 30710-300-010)		
	30710-300-010	CAP ASSY. B, noise suppresser (Used in U.S.A.)	2	
13	30710-300-020	CAP ASSY. B, noise suppresser (Not used in U.S.A.)	2	CB750E-1003480~
14	90049-300-000	BOLT, special, 6x36	6	
15	90236-300-000	NUT, 8 mm	16	

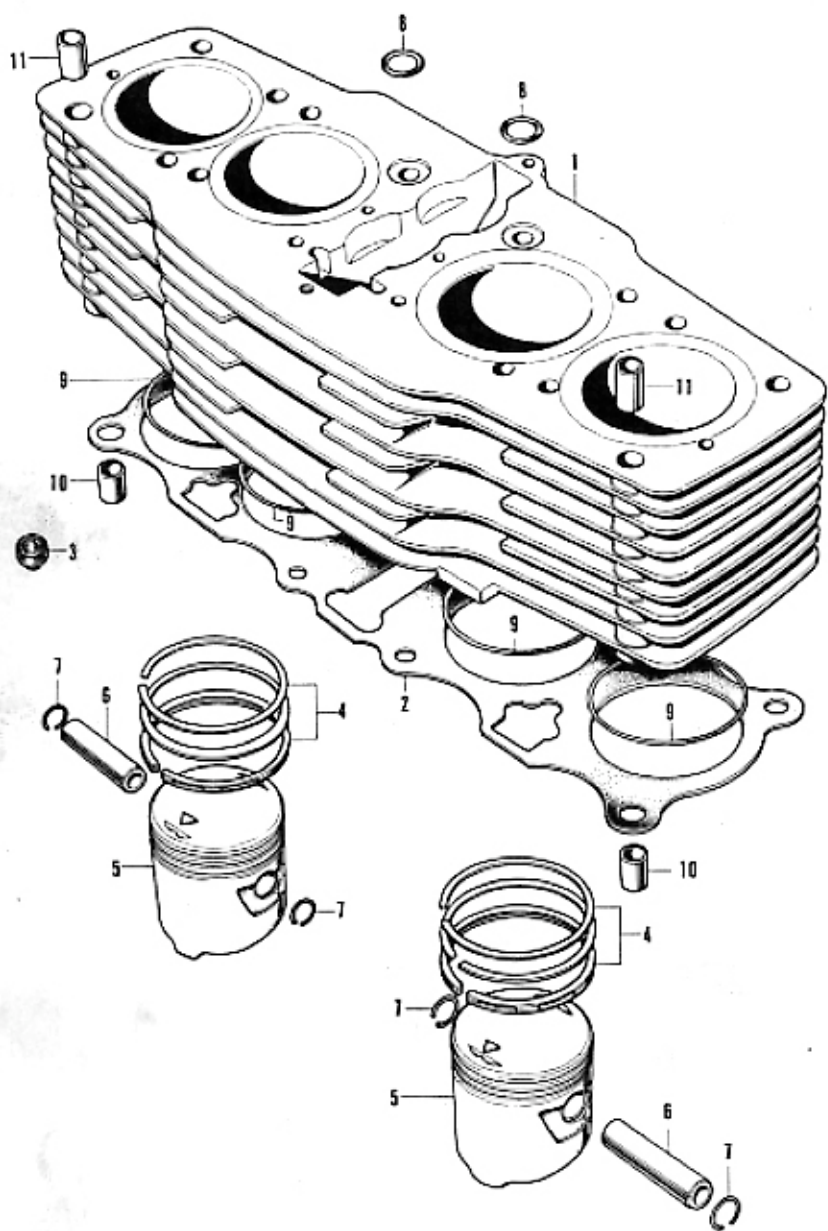
E-4 Cylinder Head - Insulator



E-4 Cylinder Head - Insulator

Ref. No.	Part No.	Description	Req. No. CB750	Remarks
16	90485-035-000	WASHER, 14 mm	16	
17	91317-500-003	O-RING, 3.7 x 1.7 (ARAI)	4	
18	91318-300-013	RUBBER, sealing (ARAI)	6	
19	92000-00036	BOLT, hex, 6 x 36	1	~1064902
	96700-00036	BOLT, flange, 6 x 36	1	CB750E-1054903-
20	92000-06090	BOLT, hex, 6 x 90	1	CB750E-1026144-1064902
	96700-06090	BOLT, flange, 6 x 90	1	CB750E-1054903-
21	92700-06056	BOLT, stud, 6 x 56	4	
22	93500-04022	SCREW, pan, 4 x 22	8	
23	94101-06000	WASHER, plain, 6 mm	1	~1064902
24	94301-06140	PIN, dowel, 8 x 14	6	
25	98069-58711	PLUG, spark (NGK D-8ES)	4	
	98069-58721	PLUG, spark (DENSO X-24ES)	4	

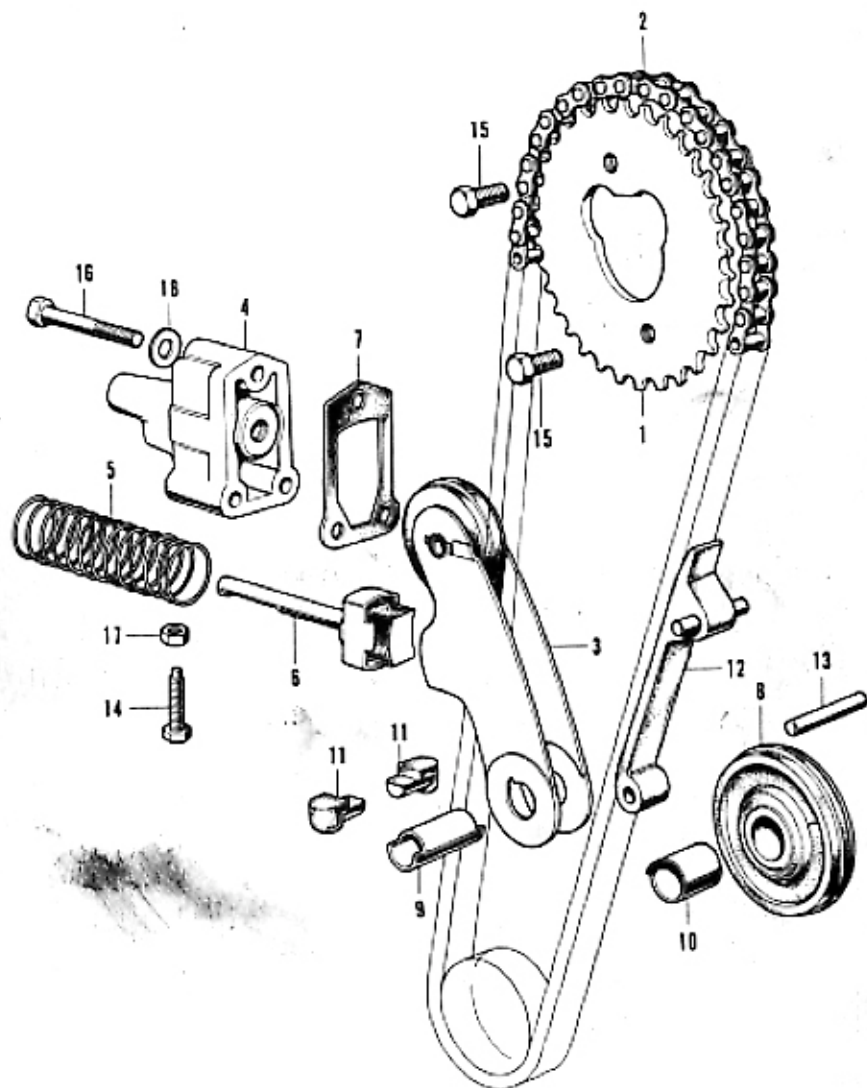
E-5 Cylinder · Piston



E-5 Cylinder - Piston

Ref. No.	Part No.	Description	Reqd. No. CB750	Remarks
1	12100-300-020	CYLINDER COMP.	1	-1026143
	12100-300-030	CYLINDER COMP.	1	CB750E-1C05144~
2	12191-300-020	GASKET, cylinder.....	1	
3	12195-300-000	(Superseded by 12520-286-000)		
	12020-286-000	RUBBER, insert.....	22	-1026143
			21	CB750E-1C05144~
4	13011-300-013	RING-SET, piston (STD.)	4	
	13021-300-013	RING-SET, piston (0.25)	4	
	13031-300-013	RING-SET, piston (0.50)	4	
	13041-300-013	RING-SET, piston (0.75)	4	
	13051-300-013	RING-SET, piston (1.00)	4	
5	13101-300-020	PISTON (STD.)	4	
	13102-300-020	PISTON (0.25).....	4	
	13103-300-020	PISTON (0.50).....	4	
	13104-300-020	PISTON (0.75)	4	
	13105-300-020	PISTON (1.00).....	4	
6	13111-300-000	PIN, piston	4	
7	13115-250-010	CLIP, piston pin.....	8	
8	91303-035-000	PACKING, rubber, 16 mm	2	
9	91304-286-000	O-RING, 61.8 x 2.0	4	
10	94301-12150	PIN, dowel, 12 x 15.....	2	
11	94301-12220	PIN, dowel, 12 x 22.....	2	

E-6 Cam Chain - Tensioner

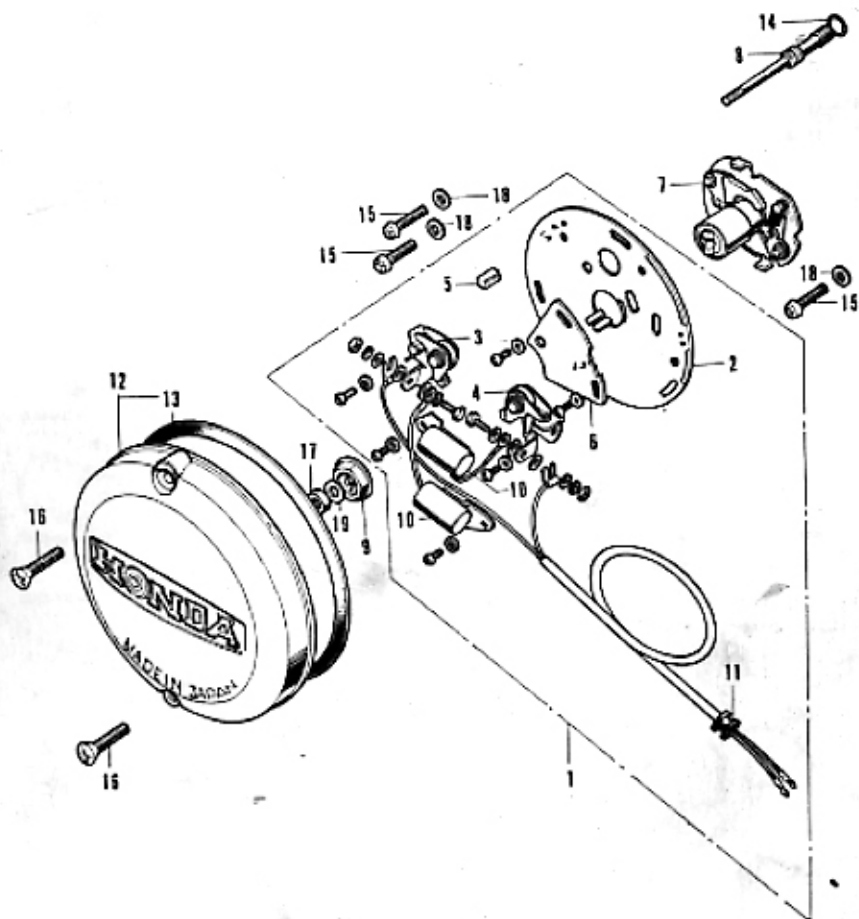


E-6 Cam Chain - Tensioner

Ref. No.	Part No.	Description	Reqd. No. CB750	Remarks
1	14321-300-010	SPROCKET, cam (34T)	1	
2	14401-285-003	CHAIN, cam (DK219T-94L Endless)	1	
3	14500-300-000	TENSIONER COMP, cam chain	1	
4	14530-300-010	HOLDER COMP, cam chain tensioner	1	
5	14541-253-000	SPRING, tensioner	1	
6	14550-300-000	BAR COMP, push	1	~1044806
	14550-300-000	BAR COMP, push	1	CB750E-1044806~
7	14592-300-000	GASKET, tensioner holder	1	
8	14601-312-000	ROLLER, cam chain guide	1	
9	14605-286-020	PIN, cam chain roller	1	
10	14606-286-000	COLLAR, cam chain roller	1	
11	14607-300-000	RUBBER, cam chain roller pin	2	
12	14611-312-000	GUIDE, cam chain	1	
13	14612-285-000	PIN, cam chain guide	1	
14	90009-300-000	BOLT, tensioner adjusting	1	~1044805
	90009-300-010	BOLT, tensioner adjusting	1	CB750E-1044805~
15	90061-245-000	BOLT, hex., knock, 7x12	2	
16	92000-06205	BOLT, hex., 6x36	3	~1064902
	95700-00205	BOLT, flange, 6x36	3	CB750E-1064903~
17	94001-06300	NUT, hex., 6mm	1	~1064902
18	94101-05000	WASHER, plain, 6mm	3	



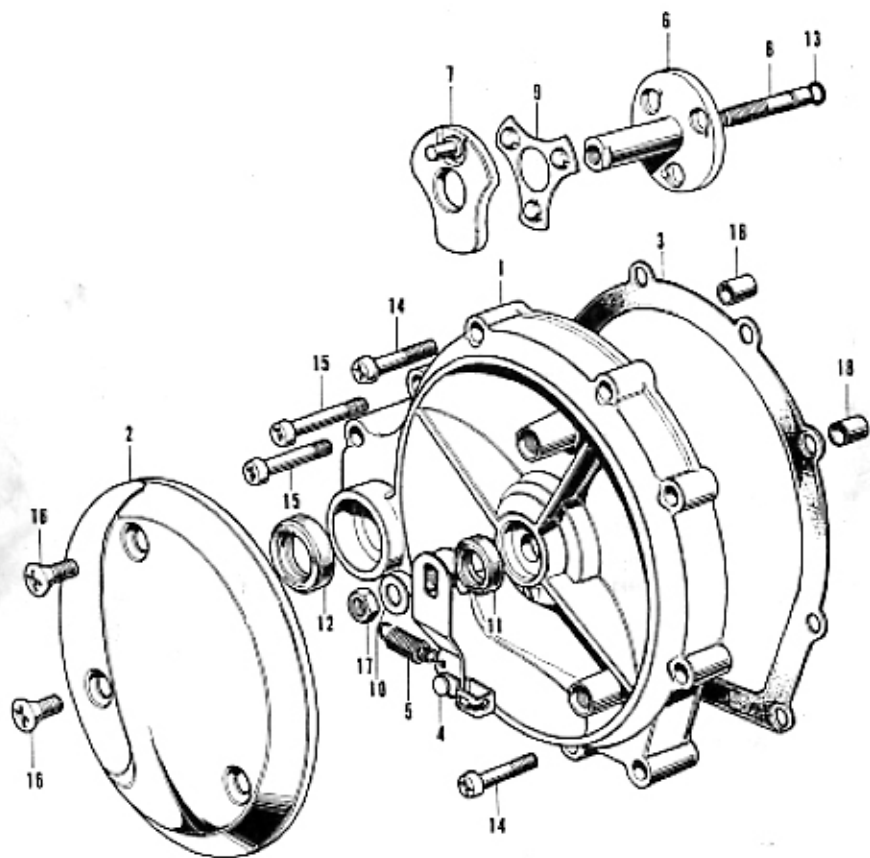
E-7 Contact Breaker - Spark Advancer



E-7 Contact Breaker - Spark Advancer

Ref. No.	Part No.	Description	Reqd. No. CB750	Remarks
1	30200-300-006	BREAKER ASSY., contact (HITACHI).....	1	~1024073
	30200-300-015	BREAKER ASSY., contact (HITACHI).....	1	CB750E-1024074~
2	30201-300-006	PLATE, contact breaker (HITACHI).....	1	~1024073
	30201-300-015	PLATE, contact breaker (HITACHI).....	1	CB750E-1024074~
3	30203-300-005	BREAKER, right contact (HITACHI).....	1	
4	30204-300-005	BREAKER, left contact (HITACHI).....	1	
5	30205-003-005	FELT, oil (HITACHI).....	1	
6	30215-300-005	PLATE, shift breaker (HITACHI).....	1	
7	30220-300-005	ADVANCER ASSY., spark (HITACHI) ...	1	
8	30231-300-010	SHAFT, advancer.....	1	
9	30233-300-000	WASHER, special, advancer shaft.....	1	
10	30250-300-006	CONDENSER COMP. (HITACHI).....	2	
11	30254-300-300	GROMMET, primary cord.....	1	
12	30370-300-020	COVER COMP, point.....	1	
13	30372-300-300	GASKET, point cover.....	1	
14	91301-300-000	O-RING, 6x2.3.....	1	
15	93500-05012-0A	SCREW, pan, 5x12.....	3	
16	93700-05032-02	SCREW, oval, 6x32.....	2	
17	94002-06000	NUT, hex, 6 mm.....	1	
18	94101-05000	WASHER, plain, 5 mm.....	3	
19	94101-06000	WASHER, plain, 6 mm.....	1	

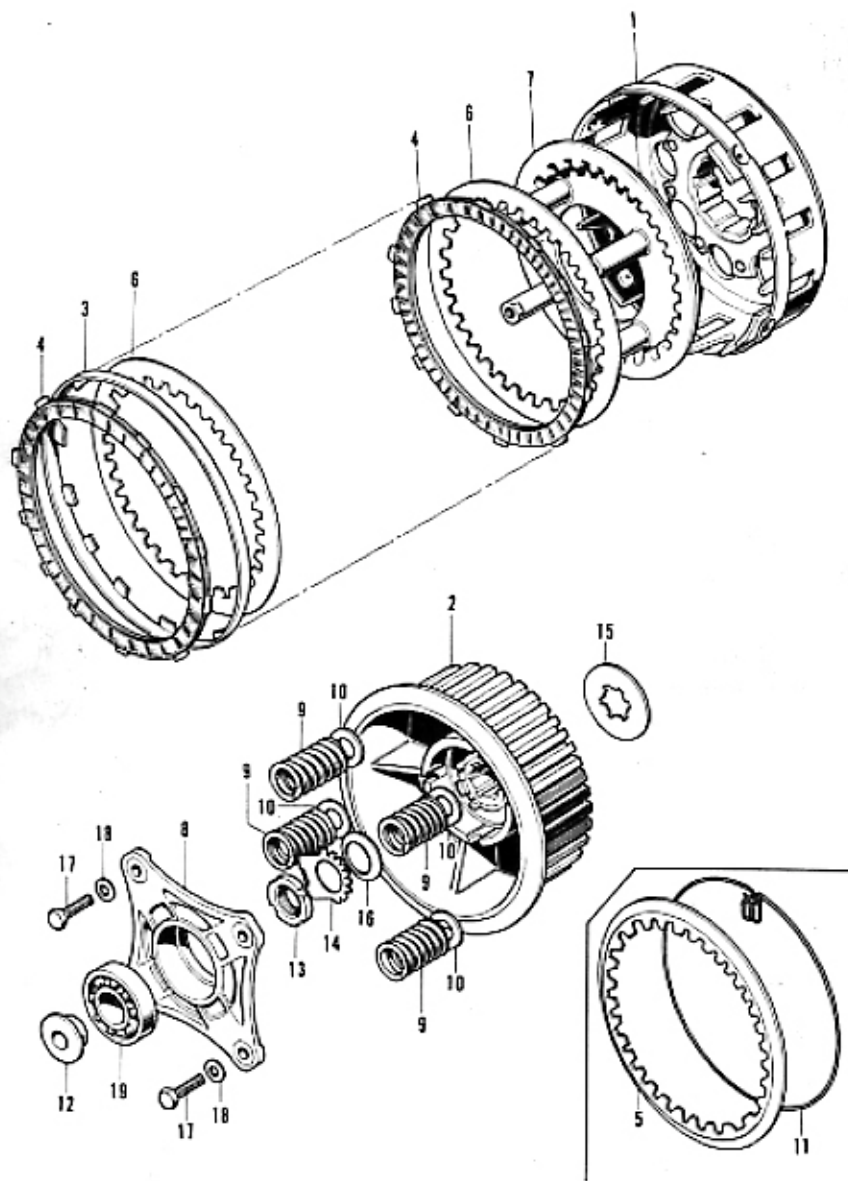
E-8 Clutch Cover



E-8 Clutch Cover

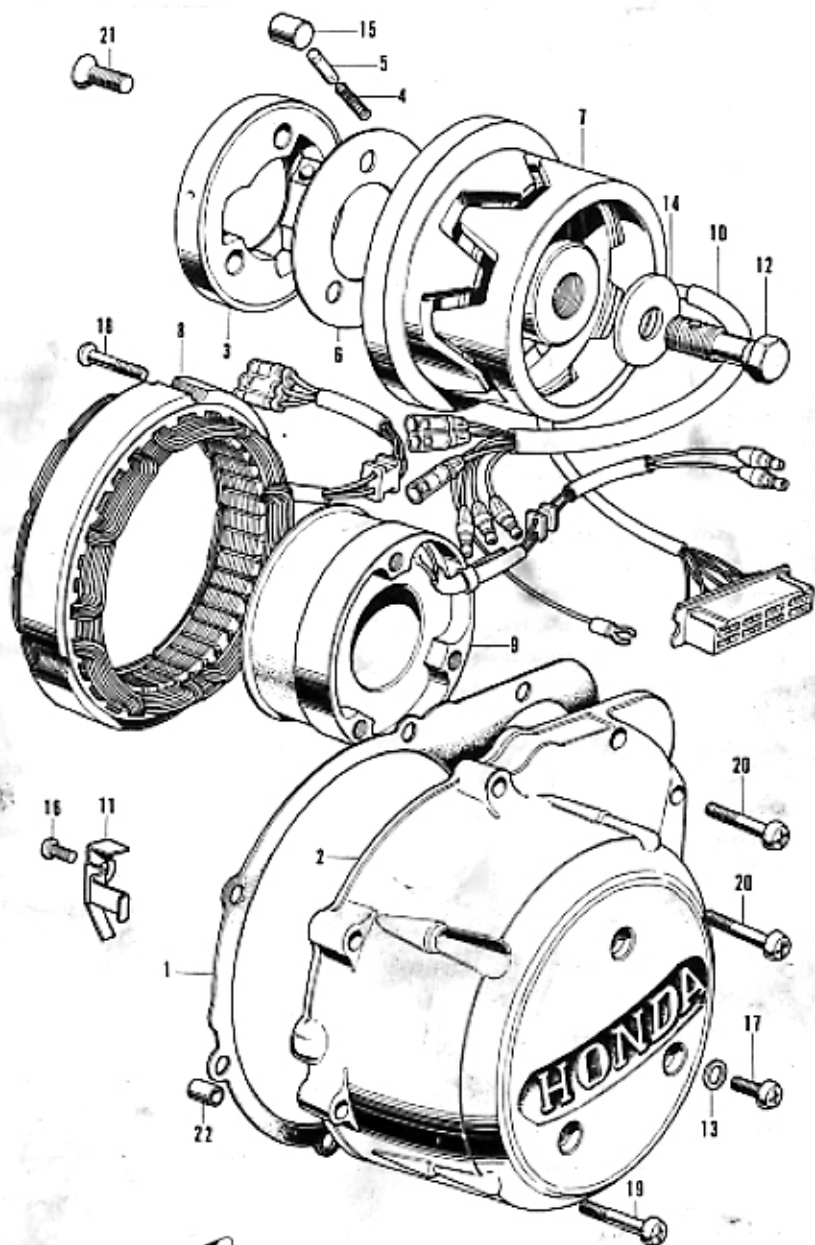
Ref. No.	Part No.	Description	Reqd. No. CB750	Remarks
1	11342-300-040	COVER, clutch	1	~1007414
	11342-300-060	COVER, clutch	1	CB750E-1007415~
2	11348-300-010	COVER, clutch adjusting	1	
3	11396-300-040	GASKET, clutch cover	1	~1007414
	11396-300-050	(Superseded by 11396-300-303)		
	11396-300-303	GASKET, clutch cover	1	CB750E-1007415~
4	22810-300-000	LEVER COMP., clutch	1	
5	22815-300-000	SPRING, clutch lever	1	
6	22820-300-000	SHAFT, clutch release	1	
7	22830-300-000	CAM COMP., clutch lifter	1	
8	22841-500-000	BOLT, clutch adjusting	1	
9	22860-300-006	RETAINER COMP., clutch ball	1	
10	90402-822-000	WASHER, head, 8 mm	1	
11	91202-216-000	OIL-SEAL, 14 x 24 x 5	1	
12	91204-286-003	OIL-SEAL, 18 x 29 x 7 (ARAI)	1	
13	91301-283-000	O-RING, 6 x 2.4	1	
14	93500-09028	SCREW, pan, 6 x 28	5	
15	93500-09036	SCREW, pan, 6 x 36	3	
16	93700-06016-02	SCREW, oval, 6 x 16	3	
17	94003-08000-0S	NUT, hex., 8 mm	1	
18	94301-08140	PIN, dowel, 8 x 14	2	

E-9 Clutch



E-9 Clutch

Ref. No.	Part No.	Description	Reqd. No. CB750	Remarks
1	22100-300-010	OUTER COMP., clutch	1	~1056079
	22100-300-020	OUTER COMP., clutch	1	CB750E-1056080~
2	22120-300-010	(Superseded by 22120-300-020)		
	22120-300-020	CENTER, clutch	1	
3	22151-300-000	RING, clutch outer	1	~1056079
4	22201-300-000	DISK, clutch friction	7	
5	22311-292-000	PLATE A, clutch	1	~1001759
6	22321-283-000	PLATE B, clutch	6	
7	22350-300-010	PLATE, clutch pressure	1	
8	22360-300-010	PLATE, clutch lifter	1	
9	22401-275-000	SPRING, clutch	4	~1006451
	22401-300-000	SPRING, clutch	4	CB750E-1006452~1042805
	22401-258-000	SPRING, clutch	4	CB750E-1042805~
10	22402-300-303	SEAT, clutch spring	4	CB750E-1003098~1006451
11	22431-300-000	RING, clutch plate stopper	1	~1001759
12	22846-300-000	PIECE, clutch lifter	1	
13	90231-200-010	NUT, lock, 15 mm	1	
14	90431-292-000	WASHER, lock, 16 mm	1	
15	90432-300-300	WASHER, spline, 25 mm	1	~1044905
	90432-300-000	WASHER, spline, 25 mm	1	CB750E-1044906~
16	90481-292-000	WASHER, oil filter rotor lock	1	
17	92000-06022	BOLT, hex 7/6x22	4	~1064902
	95700-06020	BOLT, flange, 6x20	4	CB750E-1064903~
18	94101-06000	WASHER, plain, 6mm	4	~1064902
19	95100-60030	BEARING, ball, 6003	1	

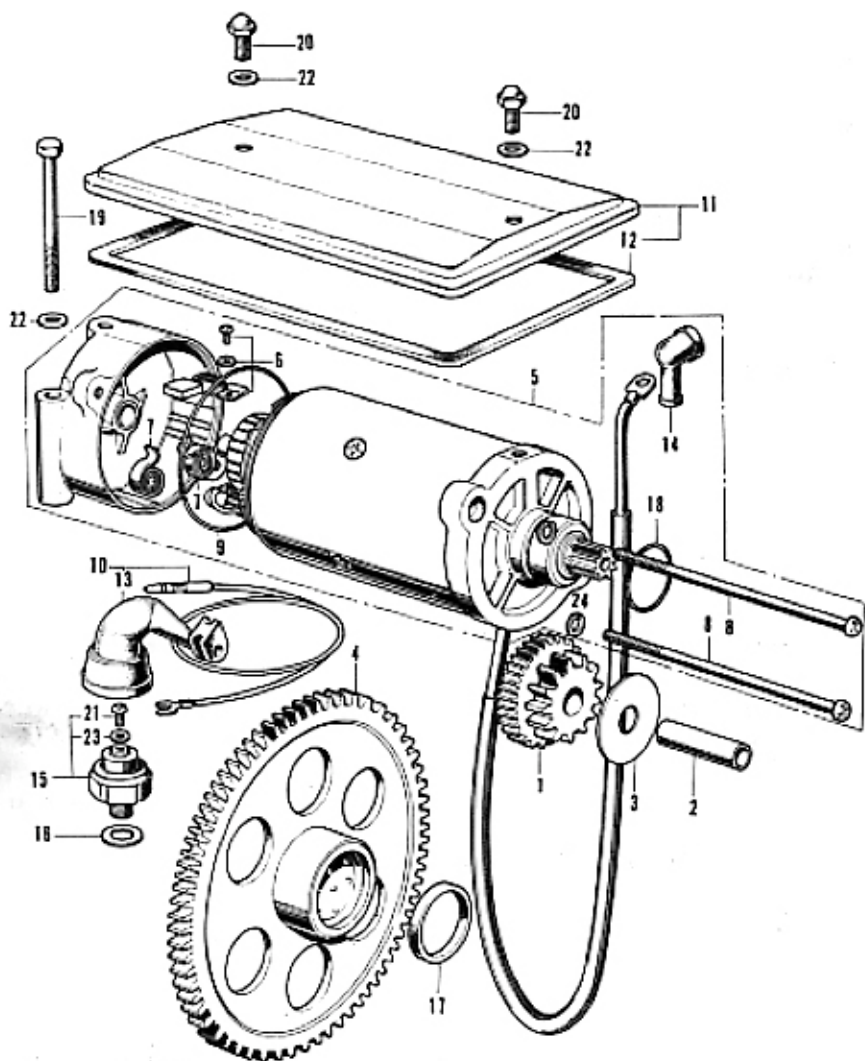


E-10 A. C. Generator - Dynamo Cover

Ref. No.	Part No.	Description	Reqd. No. CB750	Remarks
1	11397-300-030	(Superseded by 11397-300-303)		
	11397-300-303	GASKET, dynamo cover	1	
2	11631-300-040	COVER, dynamo	1	
3	28120-300-030	CLUTCH, starting	1	
4	28125-516-030	SPRING, starting clutch roller	3	
5	28126-516-030	CAP, starting clutch roller spring	3	
6	28128-516-000	PLATE, starting clutch side	1	
7	31101-300-035	ROTOR COMP., (HITACHI)	1	
8	31102-300-035	STATOR COMP., (HITACHI)	1	
9	31103-300-035	COIL COMP., field (HITACHI)	1	
10	31110-300-000	HARNES, A.C. generator wire	1	
11	33116-300-010	PLATE, A.C. generator cord setting	1	
12	90014-300-000	BOLT, rotor set	1	~1001080
	90014-300-010	BOLT, rotor set	1	CB750E-1001081~
13	90425-300-000	WASHER, 11 mm	3	
14	90428-300-000	WASHER, 10 mm	1	~1001080
	90428-300-010	WASHER, 12 mm	1	CB750E-1001081~
15	91101-516-000	ROLLER, 15x13	3	
16	93500-06012	SCREW, pan, 6x12	1	
17	93500-06020	SCREW, pan, 6x20	3	
18	93500-06028	SCREW, pan, 6x28	4	
19	93500-06032	SCREW, pan, 6x32	7	
20	93500-06036	SCREW, pan, 6x36	3	
21	90500-08022	SCREW, flat, 8x22	3	~1020143
	90553-300-000	SCREW, flat, 8x22	3	CB750E-1026144~
22	94301-08140	PIN, dowel, 8x14	2	



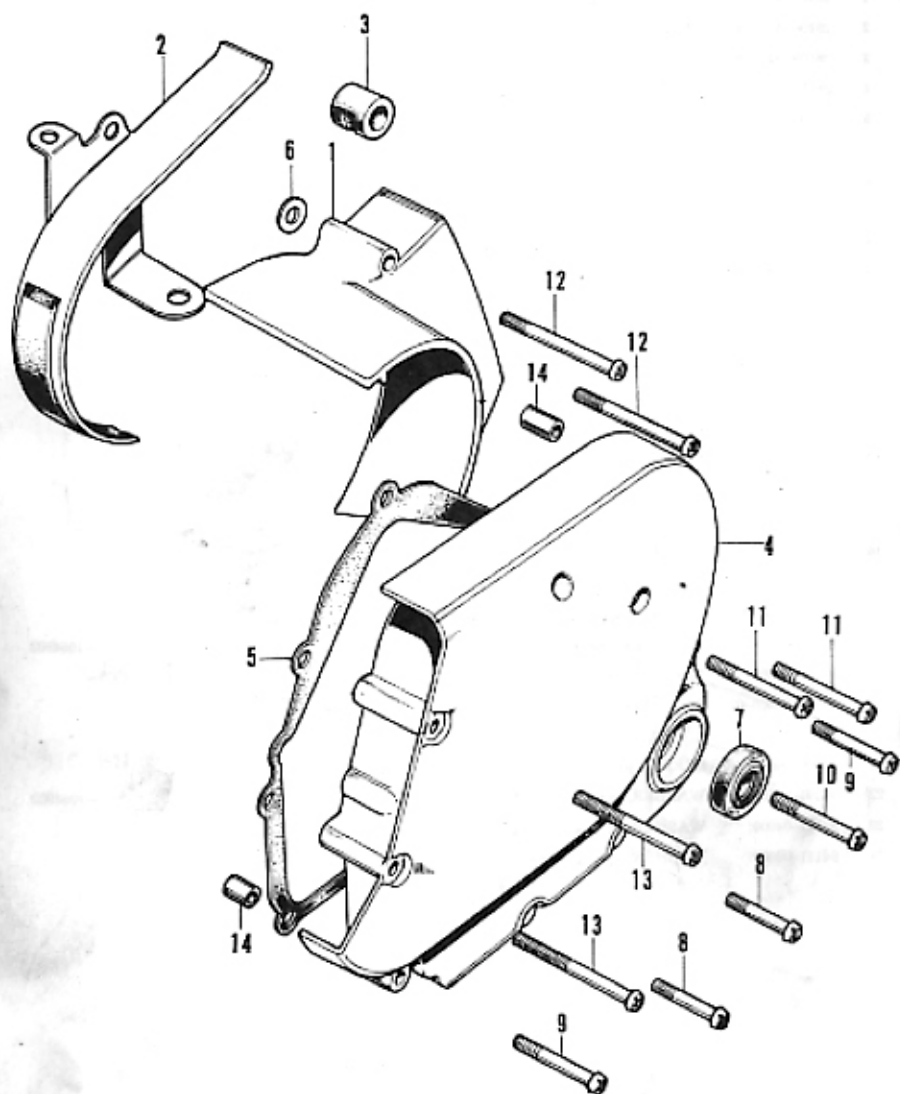
E-11 Starting Motor



E-11 Starting Motor

Ref. No.	Part No.	Description	Req'd. No. CB750	Remarks
1	28101-300-000	GEAR, starting motor reduction	1	
2	28105-300-000	SHAFT, starter reduction gear	1	
3	28109-300-000	PLATE, starting gear setting	1	
4	28110-300-000	GEAR COMP., starting clutch	1	
5	31200-300-030	MOTOR ASSY., starting	1	
6	31201-292-158	BRUSH-SET, carbon (MITSUBA)	1	
7	31204-292-158	SPRING, carbon brush (MITSUBA)	2	
8	31205-286-158	BOLT, gear cover setting (MITSUBA)	2	
9	31206-286-158	O-RING (MITSUBA)	1	
10	31270-300-000	CORD ASSY., oil pressure switch	1	
11	31280-300-000	COVER COMP., starting motor	1	
12	31282-300-030	PACKING, starting motor cover	1	
13	31283-300-000	GROMMET, oil pressure switch cord	1	
14	32411-253-000	COVER, starting motor terminal	1	
15	35500-300-000	SWITCH ASSY., oil pressure	1	
16	90543-300-000	WASHER, oil bolt	1	
17	91215-300-003	OIL-SEAL, 25×33×4 (ARAI)	1	
18	91309-300-000	O-RING, 24.4×3.1	1	
19	92000-06056	BOLT, hex, 6×56	2	-1064902
	95700-06056	BOLT, flange, 6×56	2	CB750E-1064903~
20	92800-06008-02	BOLT, hex, cap, 6×8	2	
21	93500-04005-0A	SCREW, pan, 4×5	1	
22	94101-06000	WASHER, plain, 6 mm	2	~1064902
23	94111-04000	WASHER, spring, 4 mm	1	
24	94111-06000	WASHER, spring, 6 mm	2	

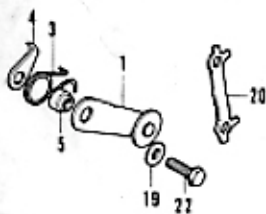
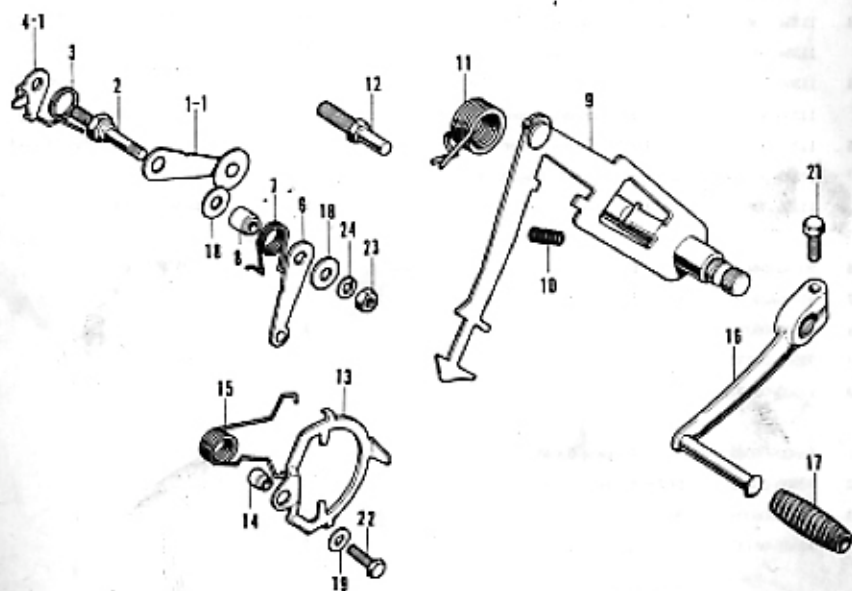
E-12 Mission Cover - Rear Cover



E-12 Mission Cover - Rear Cover

Ref. No.	Part No.	Description	Reqd. No. CB750	Remarks
1	11351-300-020	COVER, left crankcase rear	1	-1005143
	11351-300-040	COVER, left crankcase rear	1	CB750E-1020144~1044805
	11351-300-050	COVER, left crankcase rear	1	CB750E-1044806~
2	11353-300-010	PROTECTOR, case	1	CB750E-1020144~1044805
3	11354-300-000	(Superseded by 11354-300-010)	1	CB750E-1020144~1044805
	11354-300-010	RUBBER, final chain guide	1	CB750E-1044806~
4	11360-300-030	(Superseded by 11360-300-040)	1	~1007414
	11360-300-040	COVER, crankcase mission.....	1	CB750E-1007415~
5	11395-300-020	GASKET, mission cover	1	-1007414
	11395-300-030	(Superseded by 11395-300-033)		
	11395-300-033	GASKET, mission cover	1	CB750E-1007415~
6	90545-044-000	WASHER, crank arm	1	CB750E-1044806~
7	91296-286-013	OIL-SEAL, 14x28x7	1	
8	93500-05028	SCREW, pan, 6x28	2	
9	93500-06032	SCREW, pan, 6x32	2	
10	93500-06040	SCREW, pan, 6x40	1	
11	93500-06045	SCREW, pan, 6x45	2	
12	93500-06050	SCREW, pan, 6x50	2	
13	93500-06056	SCREW, pan, 6x56	2	
14	94001-08140	PIN, dowel, 8x14	2	

E-13 Gear Shift - Drum Stopper

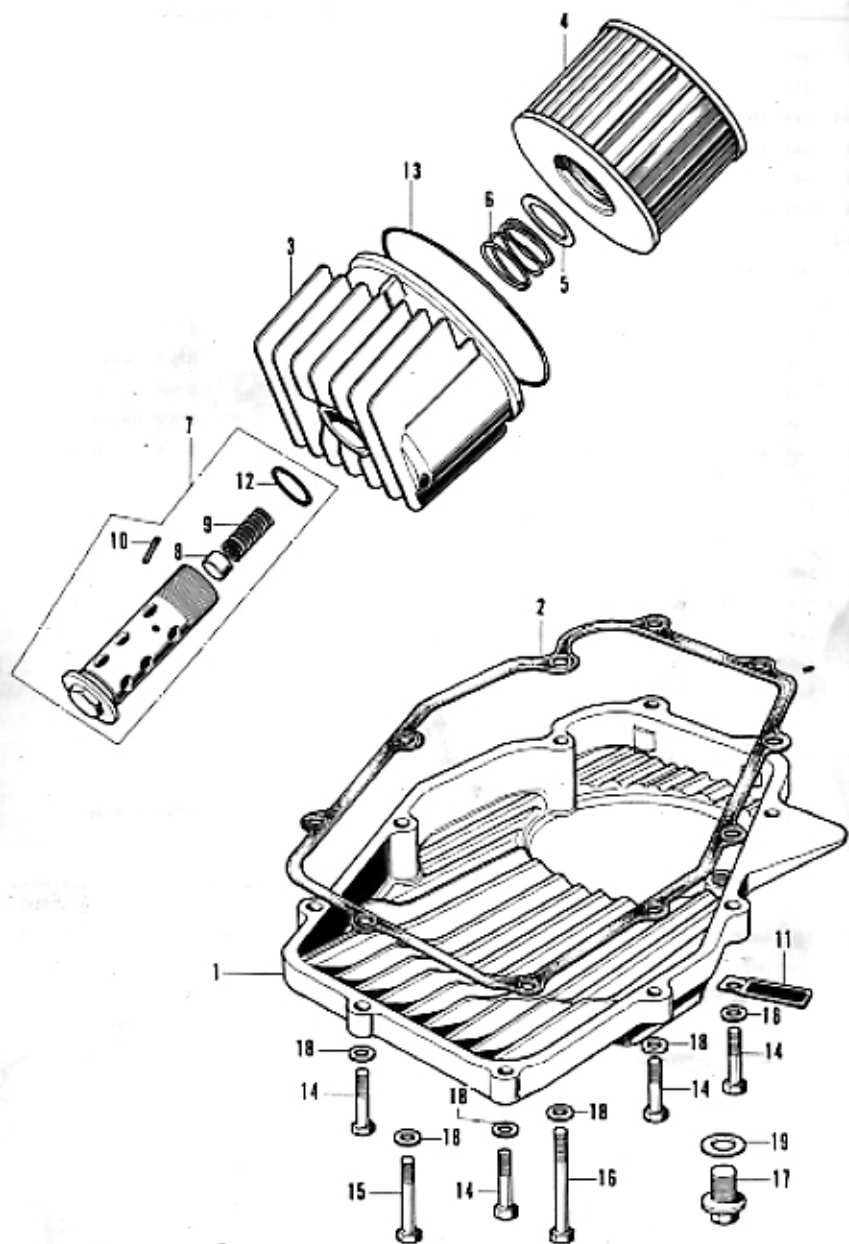


E-13 Gear Shift - Drum Stopper

Ref. No.	Part No.	Description	Qty.	Remd. No. CB750	Remarks
1	2430-300-000	STOPPER, shift drum	1		~1009434
	2430-300-030	STOPPER, shift drum	1		CB750E-1000425~1005143
1-1	2430-300-040	STOPPER, shift drum	1		CB750E-1026144~
2	2434-300-000	SHAFT, shift drum stopper pivot	1		CB750E-1005144~
3	2435-300-000	SPRING, shift drum stopper	1		
4	2436-300-000	PLATE, shift fork shaft stopper	1		~1026143
4-1	2436-300-010	PLATE, shift fork shaft stopper	1		CB750E-1026144~
5	2437-300-000	PIVOT, stopper arm	1		~1005143
6	2440-300-010	ARM COMP., neutral stopper	1		CB750E-1026144~1044967
	2440-300-020	ARM COMP., neutral stopper	1		CB750E-1044968~
7	2445-300-010	SPRING, neutral stopper	1		CB750E-1005144~1044967
	2445-300-020	SPRING, neutral stopper	1		CB750E-1044968~
8	2447-300-000	PIVOT, neutral stopper	1		CB750E-1026144~
9	2450-300-010	SPINDLE COMP., gear shift	1		
10	2451-300-000	SPRING, gear shift arm	1		
11	2461-300-020	SPRING, gear shift return	1		
12	2462-300-000	PIN, gear shift return spring	1		
13	24661-300-000	STOPPER, gear shift positive	1		
14	24663-300-000	COLLAR, stopper arm	1		
15	24666-300-000	SPRING, positive stopper	1		
16	24701-300-020	PEDAL, gear change	1		
17	24781-205-000	RUBBER, change pedal	1		
18	90417-001-000	WASHER, shift drum side	2		CB750E-1005144~
19	90417-041-000	WASHER, shift drum side	2		
20	90425-300-000	WASHER, twin	1		~1005143
21	92000-06020	BOLT, hex, 6x20	1		
22	92000-06025	BOLT, hex, 6x25	2		~1026143
			1		CB750E-1005144~
23	94001-06000	NUT, hex, 6mm	1		CB750E-1026144~
24	94111-06000	WASHER, spring, 6mm	1		CB750E-1026144~



E-14 Oil Filter · Oil Pan

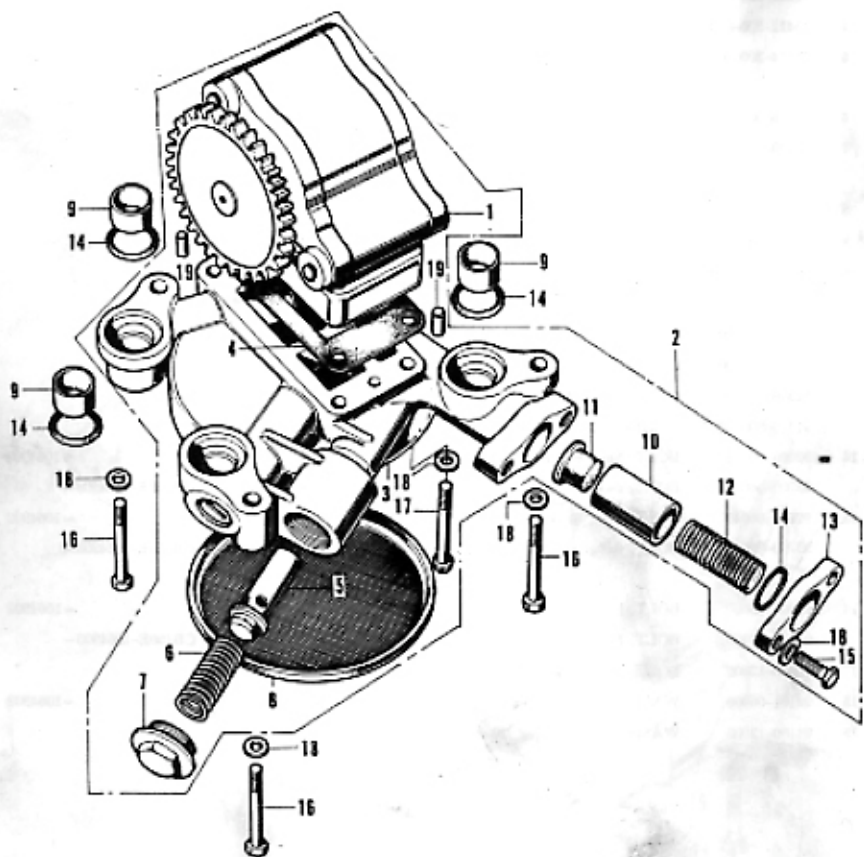


E-14 Oil Filter - Oil Pan

Ref. No.	Part No.	Description	Reqd. No. CB750	Remarks
1	11210-300-040	PAN, oil	1	~1007414
	11210-300-050	PAN, oil	1	CB750E-1007415-
2	11398-300-030	GASKET, oil pan	1	~1007414
	11398-300-040	(Superseded by 11398-300-303)		
	11398-300-303	GASKET, oil pan	1	CB750E-1007415-
3	15411-300-000	(Superseded by 15411-300-010)		
	15411-300-010	CASE, oil filter	1	
4	15412-300-024	ELEMENT, oil filter (TOKYO ROKI)	1	
5	15414-300-000	SEAT, oil filter spring	1	
6	15415-300-000	SPRING, filter element setting	1	
7	15420-300-010	(Superseded by 15420-300-020)		
	15420-300-020	BOLT COMP., oil filter center	1	
8	15473-300-300	VALVE, check	1	
9	15474-300-310	SPRING, check valve	1	
10	15477-300-300	PIN, spring setting	1	
11	32111-300-000	CLAMPER, cord	1	
12	91304-028-000	O-RING, 15x2.5	1	
13	91316-300-003	O-RING, 89x4.5 (ARA1)	1	
	91316-300-005	O-RING, 89x4.5 (N.O.K.)	1	
14	92500-06028	BOLT, hex., 6x28	8	~1064902
	95700-06028	BOLT, flange, 6x28	8	CB750E-1064903-
15	92500-06040	BOLT, hex., 6x40	1	~1064902
	95700-06040	BOLT, flange, 6x40	1	CB750E-1064903-
16	92000-06050	BOLT, hex., 6x50	1	~1064902
	95700-06050	BOLT, flange, 6x50	1	CB750E-1064903~
17	92800-12000	BOLT, drain plug, 12 mm	1	
18	94101-06000	WASHER, plain, 6 mm	10	~1064902
19	94109-12000	WASHER, drain plug, 12 mm	1	



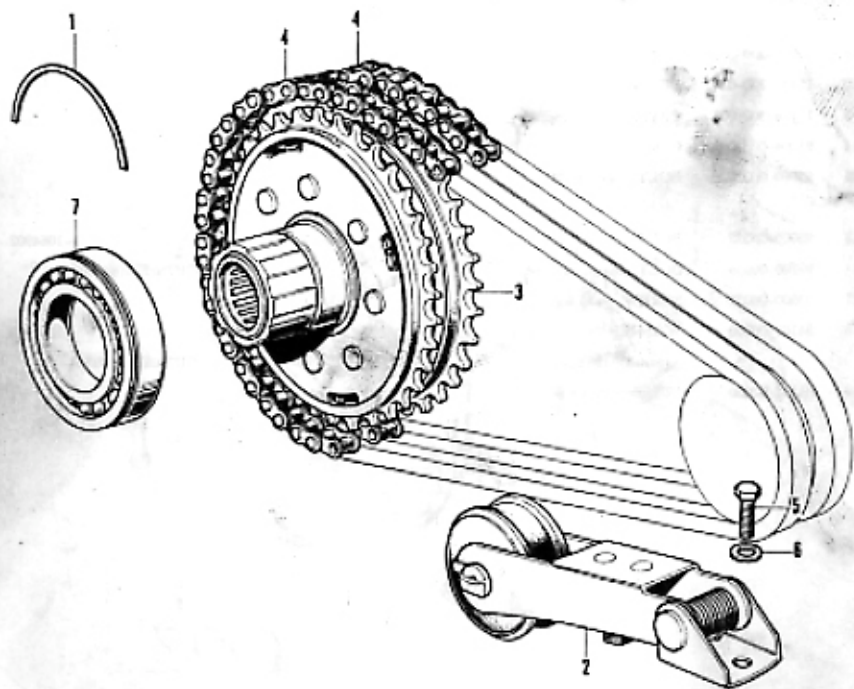
E-15 Oil Pump



E-15 Oil Pump

Ref. No.	Part No.	Description	Reqd. No. CB750	Remarks
1	15010-300-000	BODY ASSY., oil pump	1	
2	15100-300-000	PUMP ASSY.	1	
3	15105-300-010	BASE COMP., oil pump	1	
4	15135-300-010	GASKET, oil pump	1	
5	15140-300-010	VALVE, relief	1	
6	15145-300-000	SPRING, relief valve	1	
7	15147-300-000	CAP, relief spring	1	
8	15150-300-000	SCREEN, oil strainer	1	
9	15155-300-000	COLLAR, o-ring	3	
10	15161-300-000	VALVE, oil leak stopper	1	
11	15166-300-000	SEAL, oil leak stopper	1	
12	15171-300-010	SPRING, oil leak stopper	1	
13	15176-300-000	CAP, oil leak stopper	1	
14	91304-028-000	O-RING, 15x25	4	
15	92000-06000	BOLT, hex., 6x20	2	
16	93000-06032	BOLT, hex., 6x32	3	~1064902
	95700-06036	BOLT, flange, 6x36	3	CB750E-1064903~
17	93500-06032	SCREW, pan, 6x32	4	
18	94101-06000	WASHER, plain, 6mm	9	~1064902
		(Quantity change)	6	CB750E-1064903~
19	94302-04080	PIN, dowel, 4x8		

E-16 Primary Tensioner

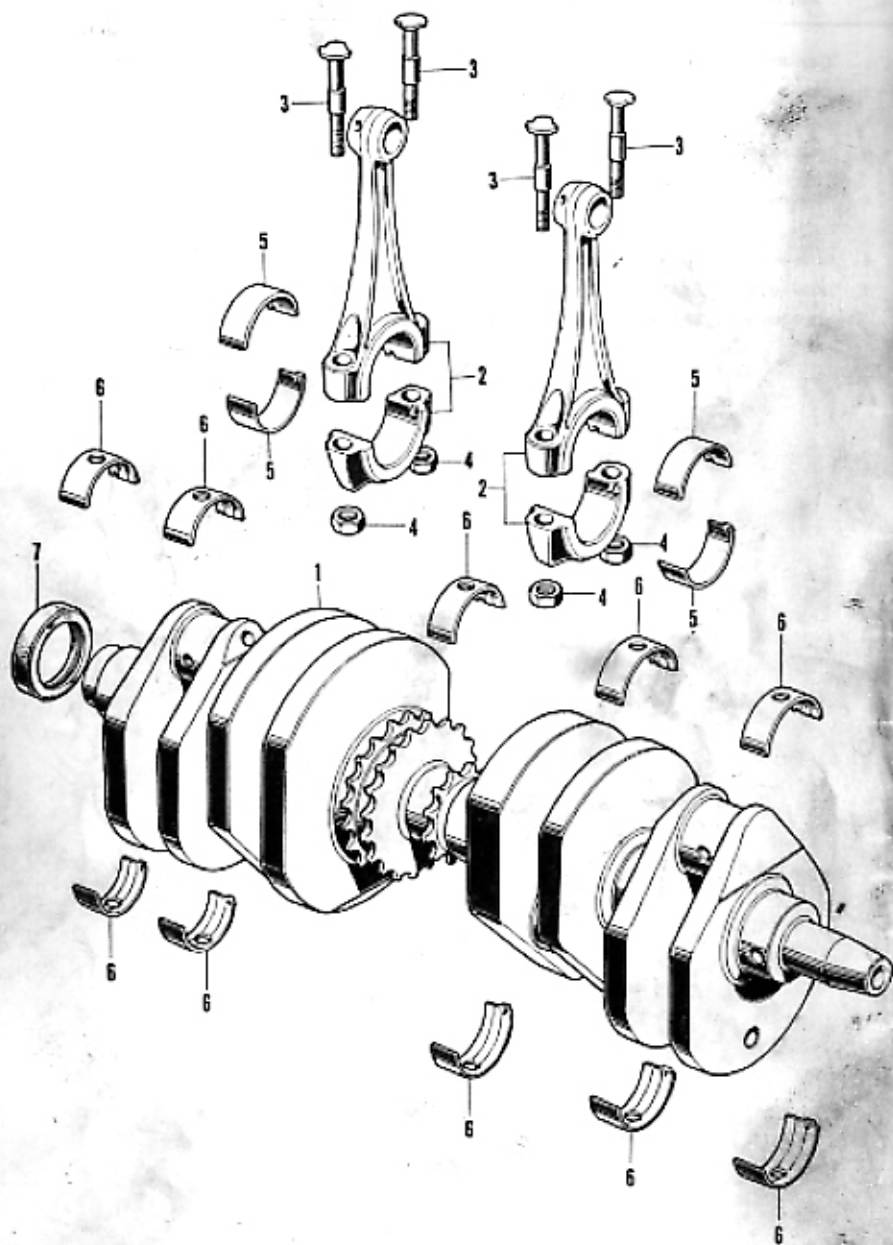


E-16 Primary Tensioner

Ref. No.	Part No.	Description	Reqd. No. Cb750	Remarks
1	13496-300-000	RING II, ball bearing set.....	1	CB750E-1005307-
2	13620-300-010	TENSIONER COMP., primary chain	1	
3	23110-300-000	SPROCKET COMP., primary driven	1	
4	23131-300-015	CHAIN, primary..... (TAKASAGO 68L-Endless)	2	
5	92000-06016	BOLT, hex., 6x16.....	1	
6	94101-06000	WASHER, plain, 6 mm.....	1	
7	90100-60080	BEARING, ball, 6008	1	~1006306
	91004-300-000	BEARING, special, ball, 6008.....	1	CB750E-1005307



E-17 Crankshaft



E-17 Crankshaft

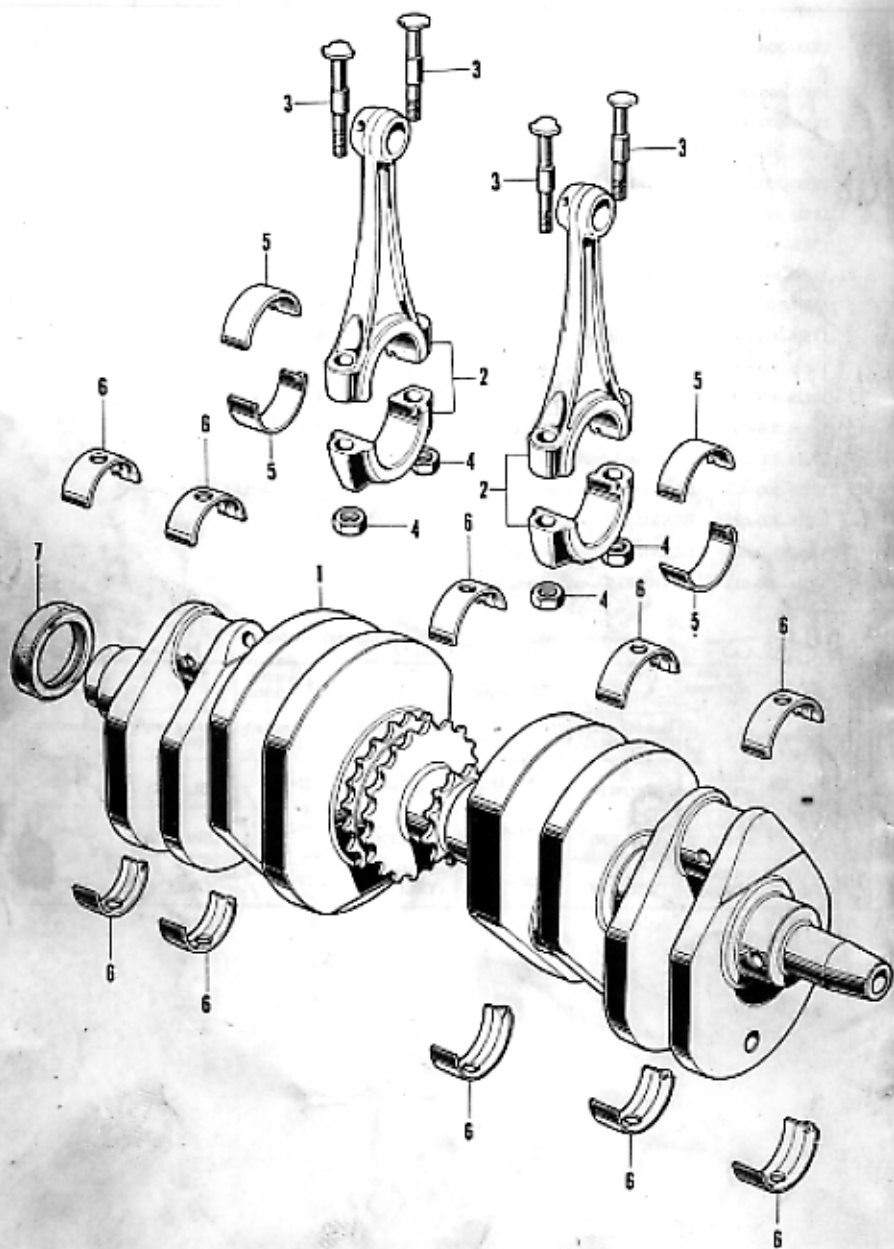
Ref. No.	Part No.	Description	Reqd. No. CB750	Remarks
1	13000-300-040	(Superseded by 13000-300-050 with 90014-300-010 & 90128-300-010)	1	-1001080
	13000-300-060	CRANKSHAFT COMP.	1	CB750E-1001081~
2	13201-300-000	ROD COMP. A, connecting	4	
	13202-300-000	ROD COMP. B, connecting	4	
	13203-300-000	ROD COMP. C, connecting	4	
	13204-300-000	ROD COMP. D, connecting	4	
	13205-300-000	ROD COMP. E, connecting	4	
	13206-300-000	ROD COMP. F, connecting	4	
	13207-300-000	ROD COMP. G, connecting	4	
	13208-300-000	ROD COMP. H, connecting	4	
	13209-300-000	ROD COMP. J, connecting	4	
	13210-300-000	ROD COMP. K, connecting	4	
3	13213-300-020	BOLT, connecting rod	8	
4	13214-300-000	NUT, connecting rod	8	
5	13215-300-013	BEARING A, connecting rod (DAIDO)	(8)	<i>Brassine</i>
	13216-300-013	BEARING B, connecting rod	(8)	
	13217-300-013	BEARING C, connecting rod	(8)	
	13218-300-013	BEARING D, connecting rod	(8)	

Selection table of connecting rod big end bearing

Crank pin allowance		Connecting rod allowance					
		3	36 μ +0 -0.005	4	46 μ -0.005 -0.010	5	36 μ -0.010 -0.015
Connecting rod allowance		Bearing mark (color)	Clearance (μ)	Bearing mark (color)	Clearance (μ)	Bearing mark (color)	Clearance (μ)
3	36 μ +0.024 +0.015	B (BROWN)	20-41	B (BROWN)	22-43	A (BLACK)	25-46
2	39 μ +0.016 +0.008	C (GREEN)	20-41	C (GREEN)	22-43	B (BROWN)	25-46
1	39 μ +0.008 -0	D (YELLOW)	20-41	D (YELLOW)	25-46	C (GREEN)	22-43

Bravo

E-17 Crankshaft



E-17 Crankshaft

Ref. No.	Parts No.	Description	Reqd. No. CB700	Remarks
6	13315-300-013	BEARING A, crankshaft (DAIDO) BLACK	(10)	
	13316-300-013	BEARING B, crankshaft BROWN	(10)	
	13317-300-013	BEARING C, crankshaft GREEN	(10)	
	13318-300-013	BEARING D, crankshaft YELLOW	(10)	

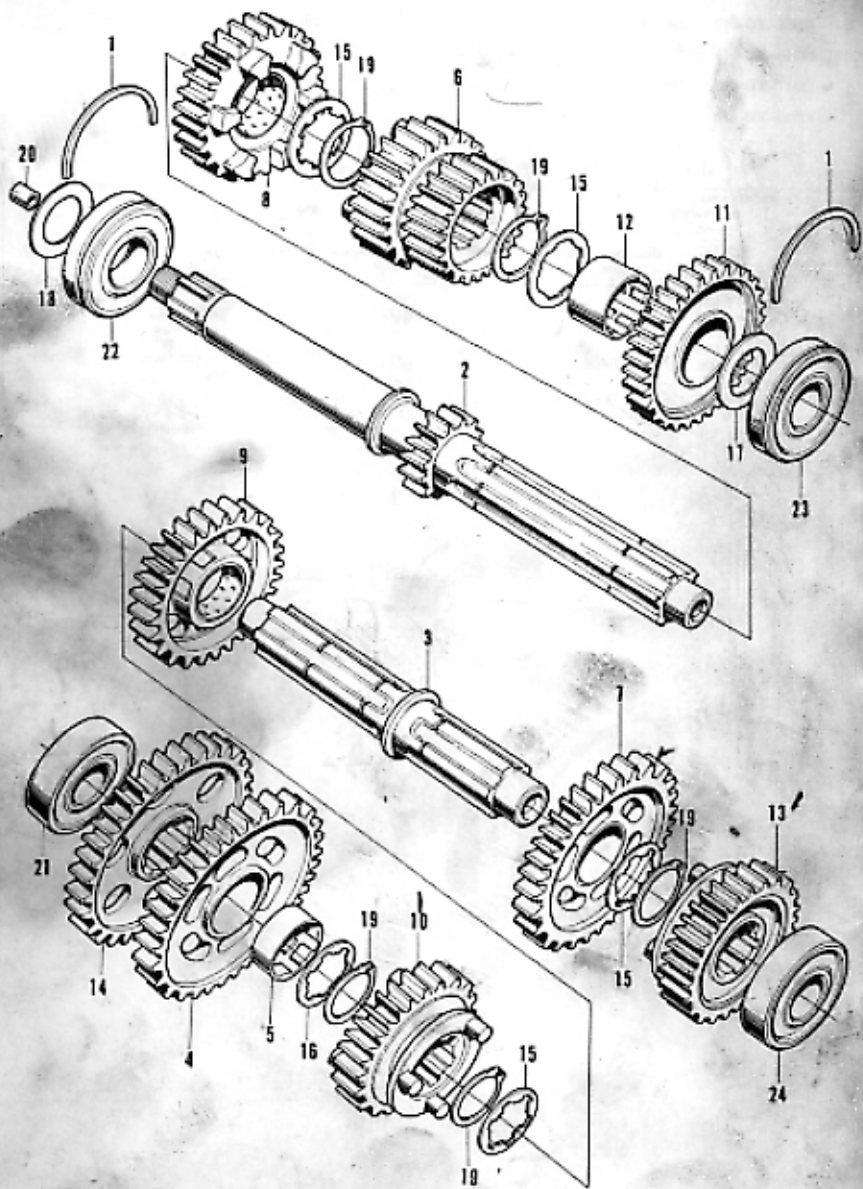
Allen

Selection table of crankshaft journal main bearing

Crankshaft journal allowance		A	36φ +0 -0.005	B	36φ -0.005 -0.010	C	36φ -0.010 -0.015
Crankcase allowance		Bearing mark (color)	Clearance (μ)	Bearing mark (color)	Clearance (μ)	Bearing mark (color)	Clearance (μ)
C	39φ +0.024 +0.016	B (BROWN)	20~41	B (BROWN)	22~43	A (BLACK)	25~46
B	39φ +0.016 +0.008	C (GREEN)	20~41	C (GREEN)	22~43	B (BROWN)	25~46
A	39φ +0.008 -0	D (YELLOW)	20~41	D (YELLOW)	25~46	C (GREEN)	22~43

7 91201-300-003 OIL-SEAL, 30x42x8 (ARAI) 1

E-18 Transmission

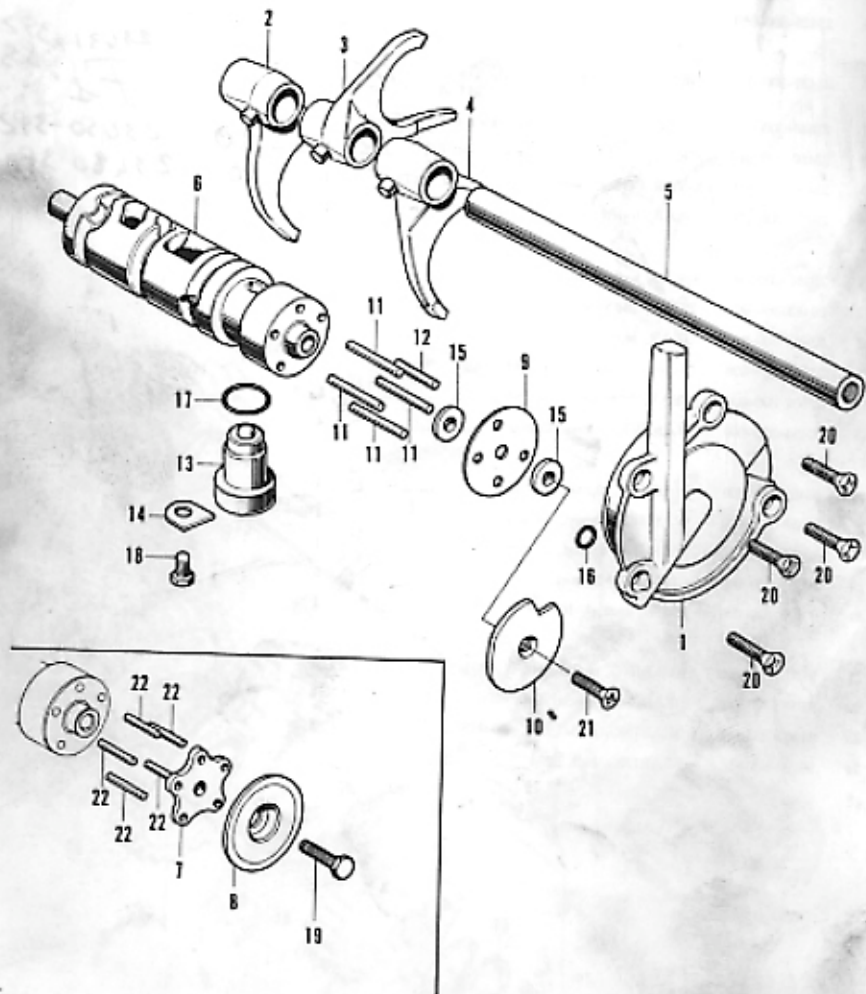


E-18 Transmission

Ref. No.	Part No.	Description	Repl. No. CU760	Remarks
1	13495-300-000	SET-RING A, ball bearing.....	2	
2	23210-300-000	SHAFT COMP., main transmission (18T)...	1	
3	23220-300-010	SHAFT, counter, transmission	1	
4	23421-300-050	GEAR, low, counter shaft (45T)	1	
5	23425-300-010	BUSH, 29 ϕ x 14	1	
6	23431-300-010	GEAR, second & third, main shaft (24T & 27T) <i>OK</i>	1	<i>23631-392-0</i> <i>SS.</i> <i>F1</i>
7	23440-300-010	GEAR COMP., second, counter shaft (41T)	1	
8	23450-300-010	GEAR COMP., fourth, main shaft (31T) <i>22</i>	1	<i>30</i> <i>23450-392-0</i>
9	23460-300-010	GEAR COMP., third, counter shaft (36T) <i>2</i>	1	<i>36</i> <i>23460-392-0</i>
10	23471-300-010	GEAR, fourth, counter shaft (34T)	1	
11	23481-300-020	GEAR, top, main shaft (33T)	1	
12	23485-300-020	BUSH, 28 ϕ x 19	1	
13	23491-300-010	GEAR, top, counter shaft (31T).....	1	
14	23501-300-020	(Superseded by 23501-300-030)		
	23501-300-030	GEAR, final drive (48T)	1	
15	90451-300-000	WASHER, thrust, 25 mm.....	4	
16	90452-300-000	WASHER, thrust, 25 x 33.....	1	
17	90458-292-000	WASHER, thrust, 20 mm.....	1	
18	90458-506-810	WASHER, thrust, 25 mm.....	1	
19	90601-300-000	CIR-CLIP, 25 mm	5	
20	90809-300-300	PLUG, special, 10 x 10	1	
21	91001-035-000	BEARING, radial ball, N-6304	1	
22	91002-300-008	BEARING, special ball, 6216 (N.T.N.).....	1	
23	91003-215-000	BEARING, radial ball, 6304HS	1	
24	91200-62040	BEARING, ball, 6204	1	



E-19 Gear Shift Fork - Drum

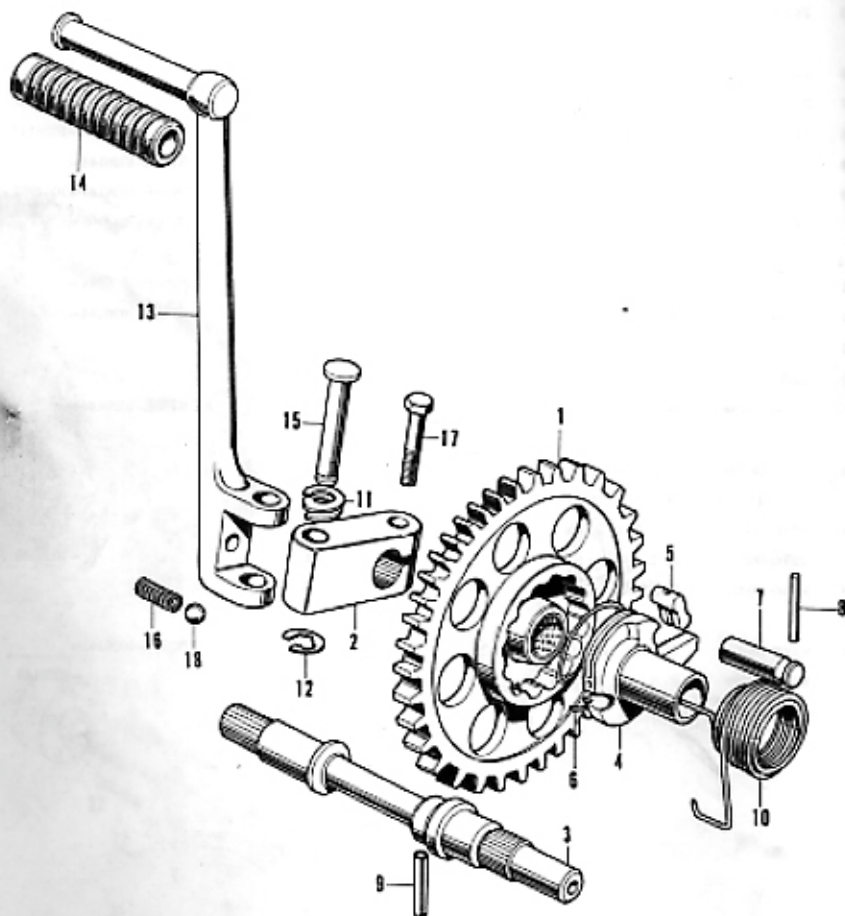


E-19 Gear Shift Fork · Drum

Ref. No.	Part No.	Description	Reqd. No. CB750	Remarks
1	23150-300-010	HOLDER COMP, counter shaft bearing ...	1	
2	24211-300-020	FORK, right gear shift.....	1	
3	24212-300-020	FORK, center gear shift	1	
4	24213-300-020	FORK, left gear shift	1	
5	24251-300-030	SHAFT, gear shift fork	1	
6	24301-300-030	DRUM, gear shift	1	
7	24321-300-000	PLATE, drum stopper	1	~1005143
8	24325-300-000	PLATE, gear shift side	1	~1026143
9	24430-300-000	PLATE, spacer	1	CB750E-1026144~
10	24441-300-010	PLATE, neutral stopper	1	CB750E-1005144~1044967
	24441-300-020	PLATE, neutral stopper	1	CB750E-1044968~
11	24443-300-000	ROLLER, 4x23.5	4	CB750E-1026144~
12	24444-300-000	ROLLER, 4x20.5	1	CB750E-1026144~
13	35752-300-010	SWITCH ASSY, neutral.....	1	
14	35754-300-020	STOPPER, neutral switch	1	
15	90436-300-000	WASHER, 20 mm	2	CB750E-1026144~
16	91301-283-000	O-RING, 5x24	1	
17	91311-044-000	O-RING, 18x3	1	
18	92000-05016	BOLT, hex, 6x16	1	
19	92000-09020	BOLT, hex, 6x20	1	~1026143
20	93000-09020	SCREW, flat, 6x20	4	
21	90000-00025	SCREW, flat, 6x25	1	CB750E-1026143~
22	98220-40198	ROLLER, 4x19.8	5	~1005143



E-20 Kick Starter - Spindle



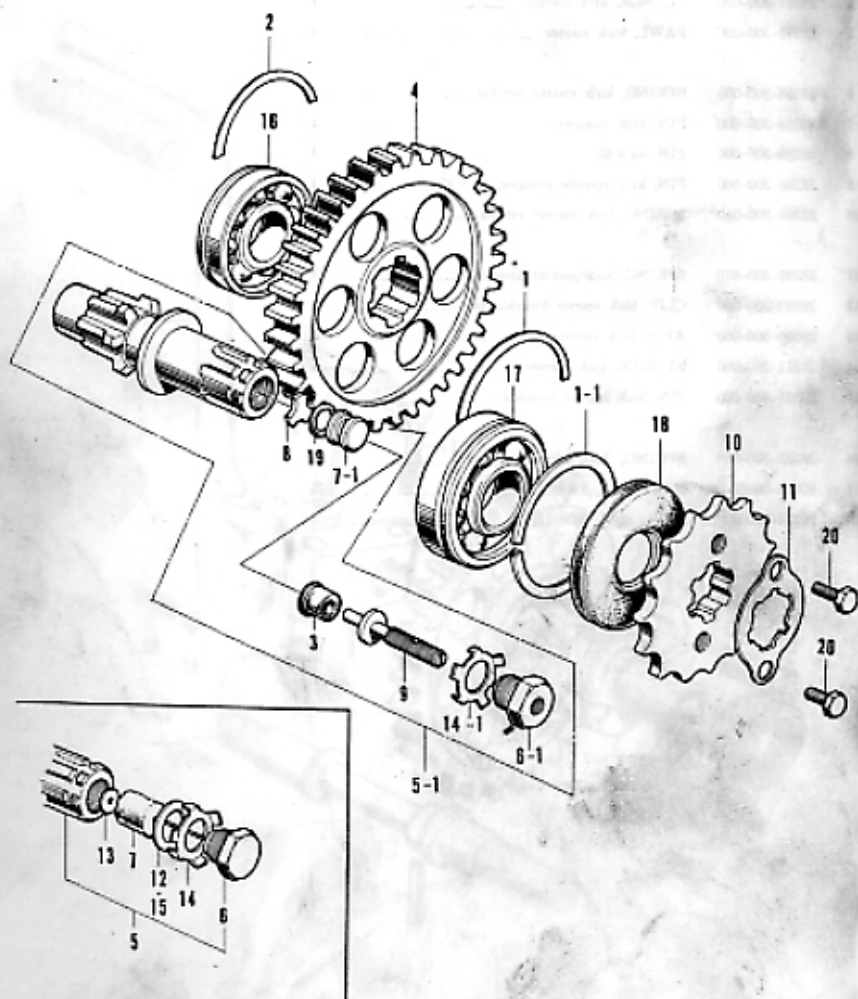
E-20 Kick Starter - Spindle

Ref. No.	Part No.	Description	Reqd. No. CB750	Remarks
1	28210-300-000	GEAR COMP., kick starter (63T).....	1	
2	28241-300-010	JOINT, kick starter	1	
3	28250-300-000	SPINDLE, kick starter	1	
4	28251-300-030	FLANGE, kick starter	1	
5	28252-300-020	PAWL, kick starter	1	
6	28253-300-000	SPRING, kick starter ratchet	1	
7	28254-300-000	PIN, kick stopper	1	
8	28255-300-000	PIN, 4φ×45	1	
9	28256-300-000	PIN, kick spindle stopper, 6φ×35.....	1	
10	28261-300-010	SPRING, kick starter return	1	
11	28292-250-010	SPRING, kick starter knuckle	1	
12	28293-250-000	CLIP, kick starter knuckle pin	1	
13	28300-300-000	ARM, kick starter	1	
14	28311-250-000	RUBBER, kick starter	1	
15	28321-300-000	PIN, kick starter knuckle.....	1	
16	28331-300-000	SPRING, kick starter stopper	1	
17	92000-06028-0A	BOLT, hex, 8×28	1	
18	96211-08000	BALL, steel, RB8 (1/4").....	1	

E-20 Kick Starter - Spindle

Ref. No.	Part No.	Description	Reqd. No. CB750	Remarks
1	28210-300-000	GEAR COMP., kick starter (63T).....	1	
2	28241-300-010	JOINT, kick starter	1	
3	28250-300-000	SPINDLE, kick starter	1	
4	28251-300-030	FLANGE, kick starter	1	
5	28252-300-020	PAWL, kick starter	1	
6	28253-300-000	SPRING, kick starter ratchet	1	
7	28254-300-000	PIN, kick stopper	1	
8	28255-300-000	PIN, 4φ×45	1	
9	28256-300-000	PIN, kick spindle stopper, 6φ×35.....	1	
10	28261-300-010	SPRING, kick starter return	1	
11	28292-250-010	SPRING, kick starter knuckle	1	
12	28293-250-000	CLIP, kick starter knuckle pin	1	
13	28300-300-000	ARM, kick starter	1	
14	28311-250-000	RUBBER, kick starter	1	
15	28321-300-000	PIN, kick starter knuckle.....	1	
16	28331-300-000	SPRING, kick starter stopper	1	
17	92000-06028-0A	BOLT, hex, 8×28	1	
18	96211-08000	BALL, steel, RB8 (1/4").....	1	

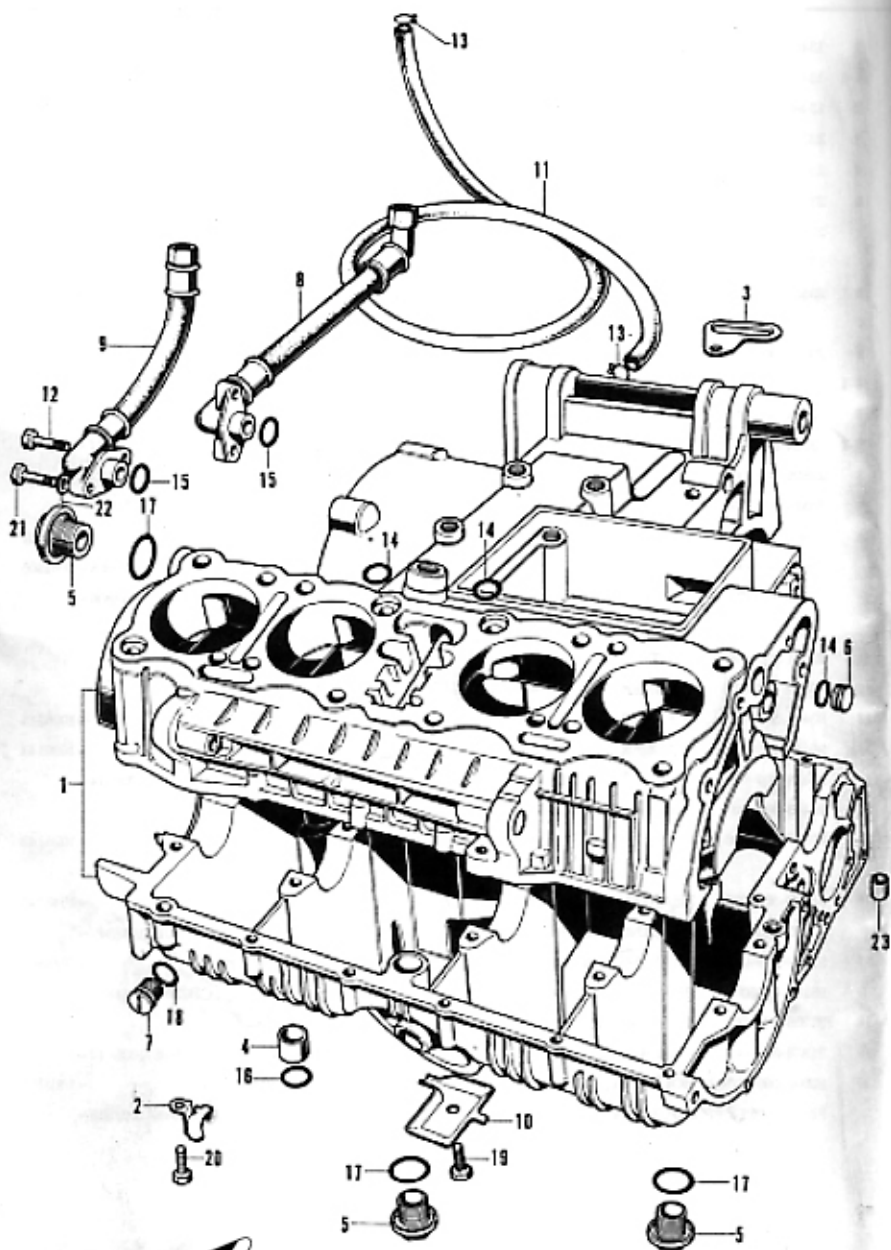
E-21 Final Driven Shaft - Drive Sprocket



E-21 Final Driven Shaft · Drive Sprocket

Ref. No.	Part No.	Description	Reqd. No. CB750	Remarks
1	13491-259-000	SET-RING, bearing, 62 mm	1	~1044805
1-1	13491-300-000	SET-RING, 66.5 mm	1	CB750E-1044806~
2	13495-300-000	SET-RING A, ball bearing	1	~1003000
3	25314-519-300	RUBBER, orifice	1	CB750E-1026144~
4	23511-300-020	GEAR, final driven (56T).....	1	
5	23520-300-000	(Superseded by 23520-300-305)		
	23520-300-305	SHAFT COMP, final driven	1	~1003527
	23520-300-010	(Superseded by 23520-300-020)	1	CB750E-1003528~1026143
5-1	23520-300-020	SHAFT COMP, final driven	1	CB750E-1026144~
6	23523-300-300	PLUG, final shaft	1	~1026143
6-1	23523-300-310	PLUG, final shaft	1	CB750E-1026144~
7	23524-300-300	ELEMENT, oil reserve	1	~1026143
7-1	23524-300-310	ELEMENT, oil reserve	1	CB750E-1026144~
8	23525-300-000	PLATE, stopper	1	CB750E-1068623~
9	23526-300-300	SCREW, adjusting	1	CB750E-1026144~
10	23801-300-305	SPROCKET, drive (16T).....	1	~1003527
	23801-300-000	SPROCKET, drive (16T).....	1	CB750E-1003528~1044806
	23801-300-620	SPROCKET, drive (16T).....	1	CB750E-1044806~
11	23811-292-000	PLATE, drive sprocket fixing	1	
12	90404-300-810	WASHER, final driven (Optional part)	(1)	
13	90405-300-000	WASHER, felt setting	1	~1026143
14	90423-300-000	WASHER, lock, 12 mm	1	~1026143
14-1	90423-300-010	WASHER, lock, 14 mm	1	CB750E-1026144~
15	90443-500-000	(Superseded by 90407-259-000)		
	90407-259-000	WASHER, seal, 12 mm	1	~1026143
16	91002-300-008	BEARING, special ball, 6205 (N.F.N.).....	1	~1048345
	96100-62050	BEARING, ball, 6205	1	CB750E-1048346~
17	91003-250-000	BEARING, ball, 6305HS	1	~1044806
	96100-63050	BEARING, ball, 6305	1	CB750E-1044806~
18	91205-300-005	OIL SEAL, 25×62×7 (N.O.K.).....	1	
19	91313-300-003	O-RING, 6.5×3	1	CB750E-1026144~
20	92000-06012	BOLT, hex., 6×12	2	~1003527
	92000-06016	BOLT, hex., 6×16	2	CB750E-1003528~

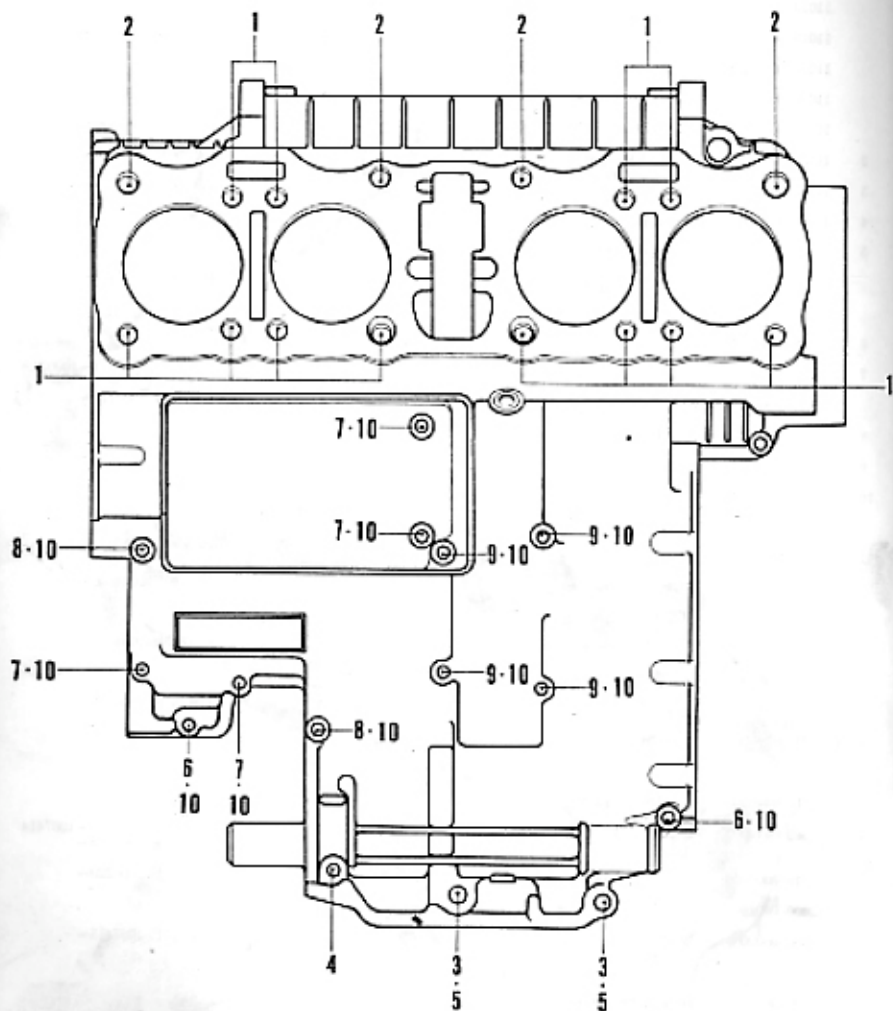
E-22 Crankcase



E-22 Crankcase

Ref. No.	Part No.	Description	Repl. No. CB750	Remarks
1	11010-300-070	CRANKCASE ASSY.	1	~1000219
	11010-300-080	(Superseded by 11010-300-396)		
	11010-300-396	(Superseded by 11010-300-415)		
	11010-300-415	CRANKCASE ASSY. SET	1	CB750E-1000220~1007414
	11010-300-090	(Superseded by 11010-300-405)		
	11010-300-405	CRANKCASE ASSY. SET	1	CB750E-1007415~1044805
	11010-300-110	CRANKCASE ASSY.	1	CB750E-1044806~
2	11204-300-010	STOPPER, bottom plate	1	CB750E-1007415~
3	11325-300-000	GUIDE, overflow	1	CB750E-1048356~
4	15326-300-000	COLLAR, oil path, 18mm	1	
5	15331-300-000	CAP, oil path	1	~1007414
		(Quantity change)	3	CB750E-1007415~
6	15336-300-010	PLUG, oil path	1	
7	15337-300-000	PLUG, oil tube	1	~1000219
	15337-300-010	PLUG, oil tube	1	CB750E-1000220~
8	15610-300-007	HOSE A COMP., oil	1	
9	15620-300-007	HOSE B COMP., oil	1	
10	15621-300-000	GUIDE, final shaft oil	1	
11	15761-300-010	TUBE A, breather	1	~1044805
	15761-300-020	TUBE A, breather	1	CB750E-1044806~
12	90040-300-000	BOLT, special, 6x25	1	
13	90603-300-000	CLIP, fuel tube, 9.7φ	2	CB750E-1064290~
14	91303-008-000	PACKING, rubber, 16mm	4	~1000219
		(Quantity change)	3	CB750E-1000220~
15	91304-008-000	O-RING, 15x2.5	2	
16	91311-044-000	O-RING, 18x3	1	
17	91315-044-000	O-RING, 19.8x2.8	1	~1007414
			3	CB750E-1007415~
18	91319-300-000	O-RING, 13x2.5	1	CB750E-1000220~
19	92000-06016	BOLT, hex., 6x16	1	
20	92000-06020	BOLT, hex., 6x20	1	CB750E-1007415~
21	92000-06025	BOLT, hex., 6x25	3	
22	94101-06000	WASHER, plain, 6mm	3	
23	94301-10160	PIN, dowel, 10x16	2	

E-23 Bolt - Washer (Upper crankcase)

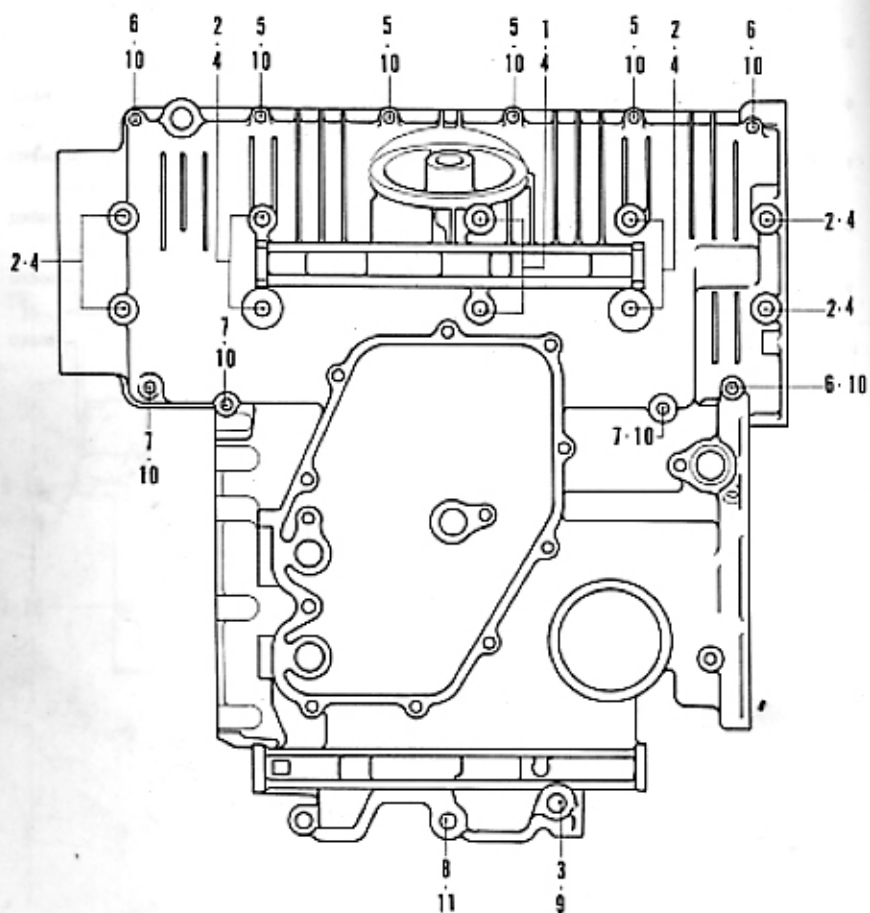


E-23 Bolt · Washer (Upper crankcase)

Ref. No.	Part No.	Description	Reqd. No. CB750	Remarks
1	90033-300-000	BOLT A, cylinder stud.....	12	
2	90034-300-000	BOLT B, cylinder stud.....	4	
3	90045-300-000	BOLT, hex., 8×56	2	
4	90100-08080-0A	BOLT, hex., 8×80	1	~1000140
	90048-300-000	BOLT, hex., 10×82	1	CB750E-1000141-
5	90455-035-000	WASHER, 14 mm	2	
6	90300-05040	BOLT, hex., 6×40	2	~1064902
	95700-06040	BOLT, flange, 6×40	2	CB750E-1064903-
7	90300-06056	BOLT, hex., 6×56	4	~1064902
	95700-06056	BOLT, flange, 6×56	4	CB750E-1064903-
8	90300-06080	BOLT, hex., 6×80	2	~1064902
	95700-06080	BOLT, flange, 6×80	2	CB750E-1064903-
9	90300-06100	BOLT, hex., 6×100	4	~1064902
	95700-06100	BOLT, flange, 6×100	4	CB750E-1064903-
10	94101-06000	WASHER, plain, 6 mm.....	12	~1064902



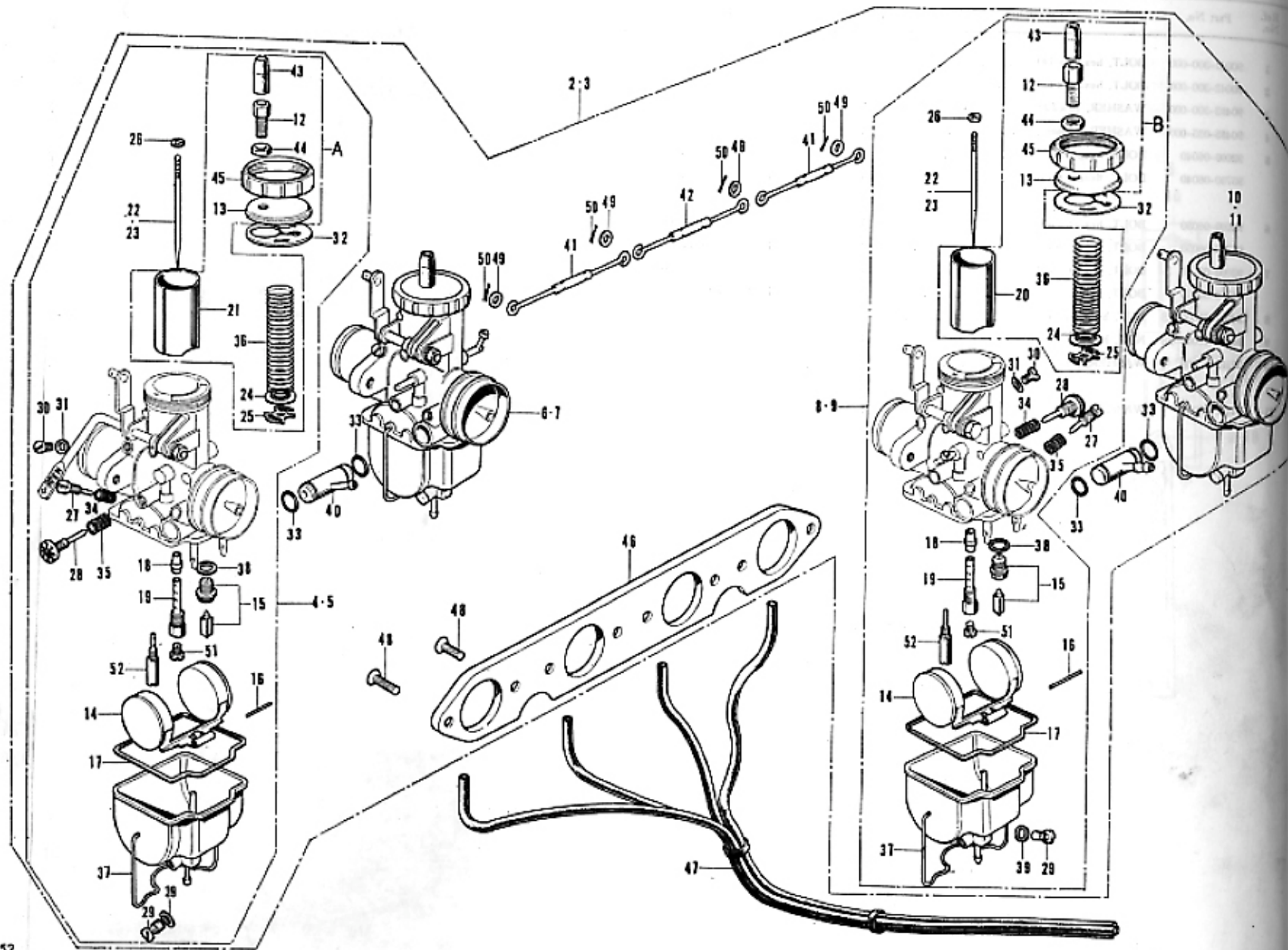
E-24 Bolt · Washer (Lower crankcase)



E-24 Bolt · Washer (Lower crankcase)

Ref. No.	Part No.	Description	Reqd. No. CB750	Remarks
1	90041-300-000	BOLT, hex., 8×140	2	
2	90042-300-000	BOLT, hex., 8×120	8	
3	90403-300-000	WASHER, 10×2.31	1	
4	90485-035-000	WASHER, 14 mm	11	
5	92000-06040	BOLT, hex., 6×40	4	~1064902
	95700-06040	BOLT, flange, 6×40	4	CB750E-1064900~
6	92000-06050	BOLT, hex., 6×50	3	~1064902
	95700-06050	BOLT, flange, 6×50	3	CB750E-1064900~
7	92000-06100	BOLT, hex., 6×100	3	~1064902
	95700-06100	BOLT, flange, 6×100	3	CB750E-1064900~
8	94001-08000-0S	NUT, hex., 8 mm	1	
9	94001-10000-0S	NUT, hex., 10 mm	1	
10	94101-06000	WASHER, plain, 6 mm	10	
11	94101-08000	WASHER, plain, 8 mm	1	

E-25 Carburetor (KEIHIN)



E-25 Carburetor (KEIHIN)

Ref. No.	Part No.	Description	Reqd. No. CB750	Remarks
1	06161-300303	(Superseded by 06161-300313)		
	06161-300313	TOP ASSY., carburetor (A×2+B×2).....	1	~1044812
2	16100-300-014	(Replaced with 16100-300-303)		~1017629
	16100-300-303	(Superseded by 16100-300-313)		
	16100-300-313	CARBURETOR ASSY. (Not used in France & Germany)	1	CB750E-1017630~1044812
3	16100-300-610	(Replaced with 16100-300-304)		CB750E-1003495~1017629
	16100-300-304	CARBURETOR ASSY. (Used in France & Germany)	1	CB750E-1017630~1044812
4	16101-300-014	(Replaced with 16101-300-303)		~1017629
	16101-300-303	(Superseded by 16101-300-313)		
	16101-300-313	CARBURETOR ASSY. I	1	CB750E-1017630~1044812
		(Not used in France & Germany)		
5	16101-300-610	(Replaced with 16101-300-304)		CB750E-1003495~1017629
	16101-300-304	CARBURETOR ASSY. I	1	CB750E-1017630~1044812
		(Used in France & Germany)		
6	16102-300-014	(Replaced with 16102-300-303)		~1017629
	16102-300-303	(Superseded by 16102-300-313)		
	16102-300-313	CARBURETOR ASSY. II	1	CB750E-1017630~1044812
		(Not used in France & Germany)		
7	16102-300-610	(Replaced with 16102-300-304)		CB750E-1003495~1017629
	16102-300-304	CARBURETOR ASSY. II	1	CB750E-1017630~1044812
		(Used in France & Germany)		
8	16103-300-014	(Replaced with 16103-300-303)		~1017629
	16103-300-303	(Superseded by 16103-300-313)		
	16103-300-313	CARBURETOR ASSY. III.....	1	CB750E-1017630~1044812
		(Not used in France & Germany)		
9	16103-300-610	(Replaced with 16103-300-304)		CB750E-1003492~1017629
	16103-300-304	CARBURETOR ASSY. III.....	1	CB750E-1017630~1044812
		(Used in France & Germany)		
10	16104-300-014	(Replaced with 16104-300-303)		~1017629
	16104-300-303	(Superseded by 16104-300-313)		
	16104-300-313	CARBURETOR ASSY. IV.....	1	CB750E-1017630~1044812
		(Not used in France & Germany)		
11	16104-300-610	(Replaced with 16104-300-304)		CB750E-1003495~
	16104-300-304	CARBURETOR ASSY. IV.....	1	~1044812
		(Used in France & Germany)		
12	16118-025-004	(Replaced with 16118-300-303)		~1017629
	16118-300-303	ADJUSTER, cable	4	CB750E-1017630~1044812
13	16119-300-004	(Replaced with 16119-300-303)		~1017629
	16119-300-303	TOP	4	CB750E-1017630~1044812
14	16122-259-014	FLOAT	4	~1044812
15	16125-235-004	VALVE-SET, float.....	4	~1044812

E-25 Carburetor (KEIHIN)

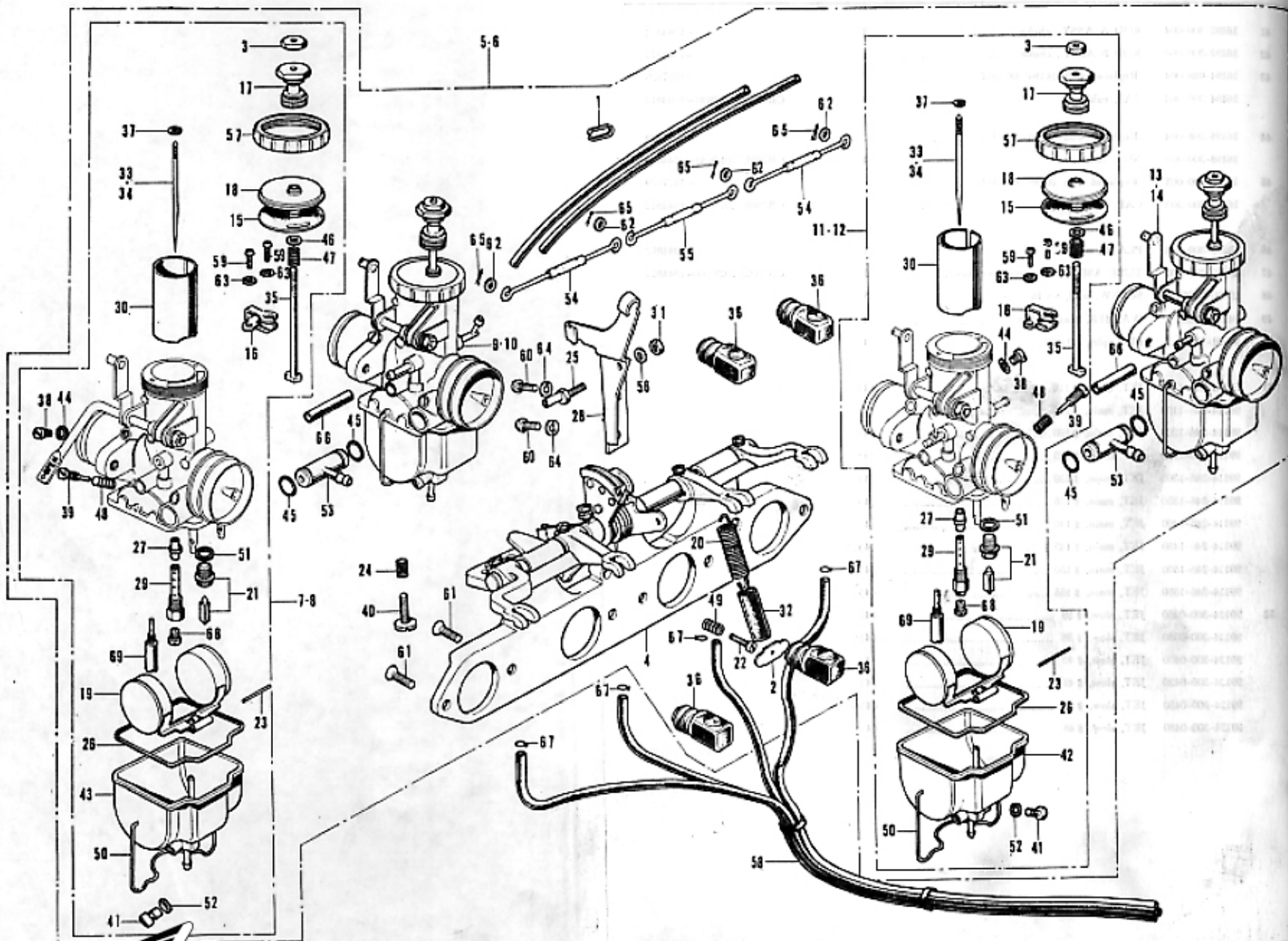
Ref. No.	Part No.	Description	Reqd. No. CB750	Remarks
16	16126-259-004	PIN, float arm	4	~1044812
17	16129-268-004	WASHER, float chamber	4	~1044812
18	16133-300-004	JET, needle	4	~1044812
19	16139-300-004	HOLDER, needle jet	4	~1044812
20	16141-300-004	(Replaced with 16141-300-313)		~1017629
	16141-300-313	(Superseded by 16141-300-313)		
	16141-300-313	VALVE, right throttle	2	CB750E-1017630-1044812
21	16145-300-004	(Replaced with 16146-300-313)		~1012629
	16146-300-313	(Superseded by 16146-300-313)		
	16145-300-313	VALVE, left throttle	2	CB750E-1017630-1044812
22	16151-300-004	NEEDLE, jet	4	~1044812
		(Not used in France & Germany)		
23	16151-300-610	NEEDLE, jet	4	~1044812
		(Used in France & Germany)		
24	16151-300-303	WASHER, guide	4	~1044812
25	16156-259-004	PLATE, needle setting	4	~1044812
26	16157-259-004	CLIP, bar	4	~1044812
27	16162-202-004	SCREW, air	4	~1044812
28	16163-300-004	SCREW, throttle stop	4	~1044812
29	16164-202-004	SCREW, drain	4	~1044812
30	16161-690-004	SCREW, plug	4	~1044812
31	16170-300-004	WASHER, plain	4	~1044812
32	16171-275-004	WASHER, top	4	~1044812
33	16173-044-004	O-RING, 7.8x1.9	4	~1044812
34	16181-202-004	SPRING, air screw	4	~1044812
35	16182-011-004	SPRING, throttle stop screw	4	~1044812
36	16185-300-004	(Replaced with 16185-300-304)		~1017629
	16185-300-304	SPRING, throttle	4	CB750E-1017630-1044812
37	16187-259-014	CLIP, float chamber setting	4	~1044812
38	16188-259-004	WASHER, plain	4	~1044812
39	16189-056-004	WASHER, plain, 6φ	4	~1044812
40	16191-300-004	JOINT, fuel tube T-type	2	~1044812

E-25 Carburetor (KEIHIN)

Ref. No.	Part No.	Description	Reqd. No. CB750	Remarks
41	16192-300-004	ROD A ASSY., choke	2	~1044812
42	16193-300-004	ROD B ASSY., choke	1	~1044812
43	16194-028-004	(Replaced with 16194-300-304)		~1017629
	16194-300-304	CAP, rubber.....	4	CB750E-1017630~1044812
44	16198-208-004	(Replaced with 16198-300-303)		~1017629
	16198-300-303	NUT, hex.....	4	CB750E-1017630~1044812
45	16199-300-004	(Replaced with 16199-300-303)		~1017629
	16199-300-303	CAP	4	CB750E-1017630~1044812
46	16273-300-004	PLATE, stay	1	~1044812
47	16290-300-000	TUBE ASSY., carburetor overflow	1	CB750E-1029794~1044812
48	93600-06010	SCREW, oval, 6x16	8	
49	94101-06000	WASHER, plain, 5mm.....	4	
50	94201-10100	PIN, split, 1.0x10	4	
51	99114-246-1100	JET, main, # 110	(4)	
	99114-246-1150	JET, main, # 115	(4)	
	99114-246-1200	JET, main, # 120	(4)	
	99114-246-1250	JET, main, # 125	(4)	
	99114-246-1300	JET, main, # 130	(4)	
	99114-246-1350	JET, main, # 135	(4)	
	99114-246-1400	JET, main, # 140	4	
	99114-246-1450	JET, main, # 145	(4)	
	99114-246-1500	JET, main, # 150	(4)	
	99114-246-1550	JET, main, # 155	(4)	
52	99124-300-0350	JET, slow, # 35	(4)	
	99124-300-0380	JET, slow, # 38	(4)	
	99124-300-0400	JET, slow, # 40	4	
	99124-300-0420	JET, slow, # 42	(4)	
	99124-300-0450	JET, slow, # 45	(4)	
	99124-300-0480	JET, slow, # 48	(4)	

E-26 Carburetor (KEIHIN)

(MINI) 1000cc 2-C-2



E-26 Carburetor (KEIHIN)

Ref. No.	Part No.	Description	Repl. No. CB750	Remarks
1	16064-300-004	BAND, carburetor breather pipe setting	1	CB750E-1044813~
2	16066-300-004	PLATE, spring setting	1	CB750E-1044813~
3	16070-300-004	NUT, special	4	CB750E-1044813~
4	16094-300-004	PLATE, carburetor setting	1	CB750E-1044813~
5	16100-300-024	CARBURETOR ASSY. (Not used in France & Germany)	1	CB750E-1044813~
6	16100-300-620	CARBURETOR ASSY. (Used in France & Germany)	1	CB750E-1044813~
7	16101-300-024	CARBURETOR ASSY. A	1	CB750E-1044813~
		(Not used in France & Germany)		
8	16101-300-620	CARBURETOR ASSY. A	1	CB750E-1044813~
		(Used in France & Germany)		
9	16102-300-024	CARBURETOR ASSY. B	1	CB750E-1044813~
		(Not used in France & Germany)		
10	16102-300-620	CARBURETOR ASSY. B	1	CB750E-1044813~
		(Used in France & Germany)		
11	16103-300-024	CARBURETOR ASSY. C	1	CB750E-1044813~
		(Not used in France & Germany)		
12	16103-300-620	CARBURETOR ASSY. C	1	CB750E-1044813~
		(Used in France & Germany)		
13	16104-300-024	CARBURETOR ASSY. D	1	CB750E-1044813~
		(Not used in France & Germany)		
14	16104-300-620	CARBURETOR ASSY. D	1	CB750E-1044813~
		(Used in France & Germany)		
15	16110-300-004	WASHER, top.....	4	CB750E-1044813~
16	16115-300-004	PLATE, needle clip	4	CB750E-1044813~
17	16117-300-004	ADJUSTER, cable	4	CB750E-1044813~
18	16119-300-014	TOP	4	CB750E-1044813~
19	16122-259-014	FLOAT	4	CB750E-1044813~
20	16123-300-004	SPRING, throttle return	1	CB750E-1044813~
21	16125-235-004	VALVE-SET, float.....	4	CB750E-1044813~
22	16125-300-004	SCREW, choke stop	1	CB750E-1044813~
23	16126-259-004	PIN, float arm.....	4	CB750E-1044813~
24	16126-300-004	SPRING, throttle stop	1	CB750E-1044813~
25	16127-300-004	PIN, screw stopper	1	CB750E-1044813~

E-26 Carburetor (KEIHIN)

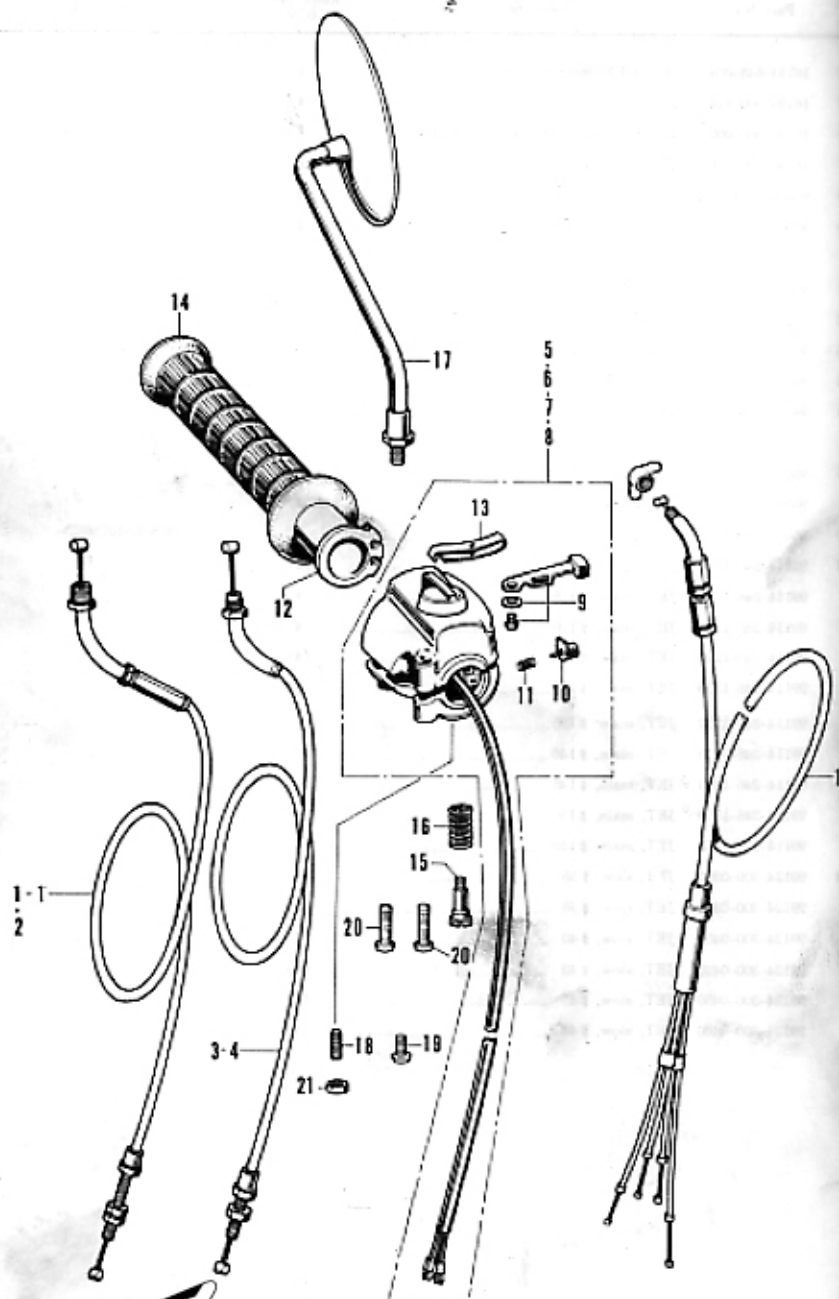
Ref. No.	Part No.	Description	Reqd. No. CB750	Remarks
26	16129-308-004	WASHER, float chamber.....	4	CB750E-1044813~
27	16133-300-004	JET, needle.....	4	CB750E-1044813~
28	16134-300-004	STAY, throttle cable.....	1	CB750E-1044813~
29	16139-300-004	HOLDER, needle jet.....	4	CB750E-1044813~
30	16141-300-014	VALVE, throttle.....	4	CB750E-1044813~
31	16147-548-004	NUT, hex., 6 mm.....	1	CB750E-1044813~
32	16150-300-000	TUBE, protector.....	1	CB750E-1044813~
33	16151-300-004	NEEDLE, jet (Not used in France, Germany & Netherlands)	4	CB750E-1044813~
34	16151-300-610	NEEDLE, jet (Used in France, Germany & Netherlands)	4	CB750E-1044813~
35	16152-300-004	ROD, throttle.....	4	CB750E-1044813~
36	16154-300-004	CAP, dust.....	4	CB750E-1044813~
37	16157-239-004	CLIP, bar.....	4	CB750E-1044813~
38	16161-690-004	SCREW, plug.....	4	CB750E-1044813~
39	16162-202-004	SCREW, air.....	4	CB750E-1044813~
40	16163-300-014	SCREW, throttle stop.....	1	CB750E-1044813~
41	16164-202-004	SCREW, drain.....	4	CB750E-1044813~1070372
	16162-304-004	SCREW, drain.....	4	CB750E-1070373~
42	16167-300-004	CHAMBER A, float.....	2	CB750E-1044813~1070372
	16167-300-014	CHAMBER A, float.....	2	CB750E-1070373~
43	16168-300-004	CHAMBER B, float.....	2	CB750E-1044813~1070372
	16168-300-014	CHAMBER B, float.....	2	CB750E-1070373~
44	16170-300-004	WASHER, plain.....	4	CB750E-1044813~
45	16173-044-004	O-RING, 7.8x1.9.....	8	CB750E-1044813~
46	16179-500-004	WASHER, 4.5x0.5.....	1	CB750E-1044813~
47	16181-001-004	SPRING, air screw.....	4	CB750E-1044813~
48	16181-202-004	SPRING, air screw.....	4	CB750E-1044813~
49	16186-512-004	SPRING, stop screw.....	1	
50	16187-239-014	CLIP, float chamber setting.....	4	
51	16188-259-004	WASHER, plain.....	4	
52	16189-066-004	WASHER, plain, 6 mm.....	4	~1070372
	16175-001-004	O-RING, 4.47φx1.78.....	4	CB750E-1070373~
53	16191-300-004	JOINT, fuel tube, T-type.....	2	
54	16192-300-004	ROD A ASSY., choke.....	2	
55	16193-300-004	ROD B ASSY., choke.....	1	

E-26 Carburetor (KEIHIN)

Ref. No.	Part No.	Description	Reqd. No. CB700	Remarks
56	16193-548-004	WASHER, interior tooth	1	
57	16199-300-014	CAP	4	
58	16290-300-000	TUBE ASSY., carburetor overflow	1	~1075861
	16290-300-010	TUBE ASSY., carburetor overflow	1	CB750E-1075862~
59	93500-03010-0A	SCREW, pan, 3x10	8	
60	93500-06012	SCREW, pan, 6x12	2	
61	93600-06016	SCREW, oval, 6x16	8	
62	94101-05000	WASHER, plain, 6 mm	5	
63	94111-03000	WASHER, spring, 3 mm	8	
64	94111-06000	WASHER, spring, 6 mm	2	
65	94201-10080	PIN, split, 1.0x8	4	
66	95001-35026	TUBE, fuel, 3.5x26	2	
	95001-35026-40	TUBE, fuel, 3.5x26	2	
67	95002-02070	CLIP, B7 tube	4	CB750E-1075862~
68	99114-246-1100	JET, main, # 110	(4)	
	99114-246-1150	JET, main, # 115	(4)	
	99114-246-1200	JET, main, # 120	4	
	99114-246-1250	JET, main, # 125	(4)	
	99114-246-1300	JET, main, # 130	(4)	
	99114-246-1350	JET, main, # 135	(4)	
	99114-246-1400	JET, main, # 140	(4)	
	99114-246-1450	JET, main, # 145	(4)	
	99114-246-1500	JET, main, # 150	(4)	
	99114-246-1550	JET, main, # 155	(4)	
69	99124-300-0150	JET, slow, # 95	(4)	
	99124-300-0380	JET, slow, # 38	(4)	
	99124-300-0400	JET, slow, # 40	4	
	99124-300-0420	JET, slow, # 42	(4)	
	99124-300-0450	JET, slow, # 45	(4)	
	99124-300-0480	JET, slow, # 48	(4)	



F-1 R/H Handle Switch - Cable

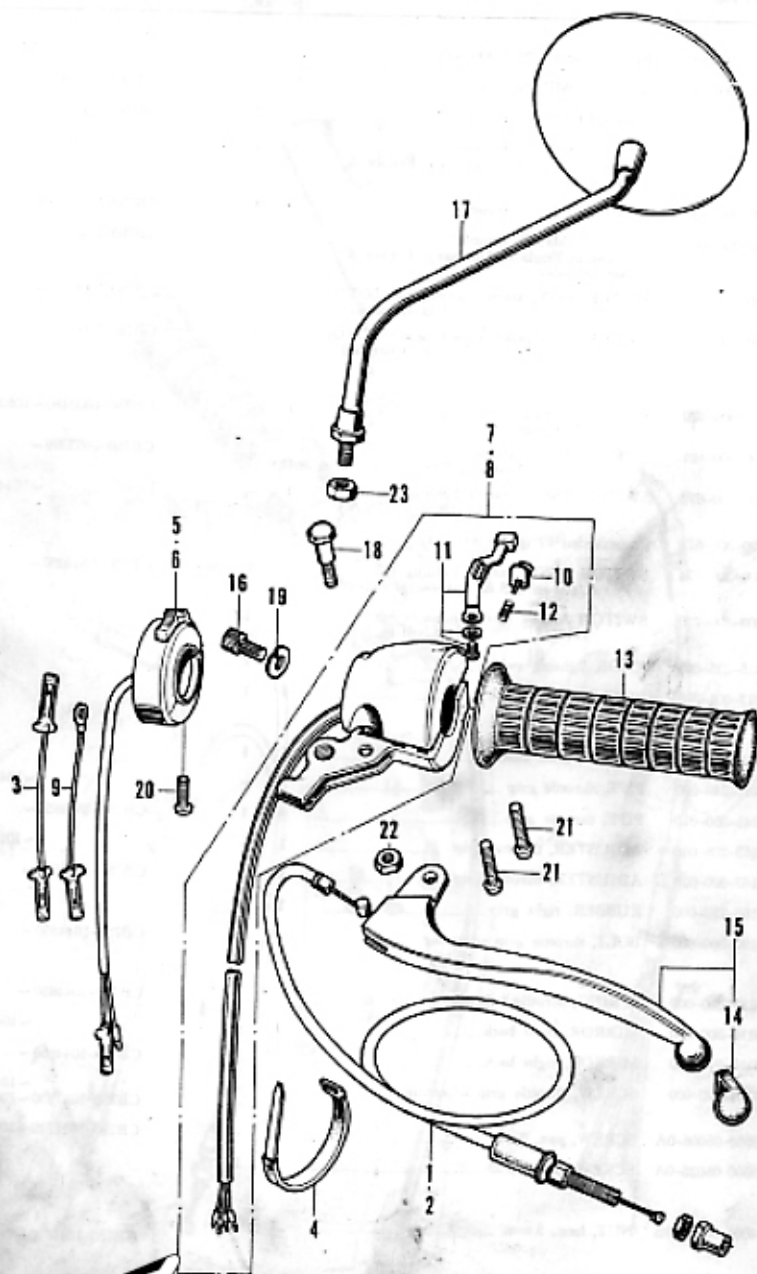


F-1 R/H Handle Switch - Cable

Ref. No.	Part No.	Description	Reqd. No.		Remarks
			CB	CB750T50K1	
1	17910-300-010	(Replaced with 17910-300-030)			~1017341
	17910-300-030	CABLE COMP, throttle	1	-	CB750-1017342~1044649
1-1	17910-300-040	CABLE COMP. A, throttle	-	1	CB750-1044650~
2	17910-300-610	CABLE COMP. A, throttle	-	1	CB750-1053399~
		(Used in England, Germany, France & Netherlands)			
3	17920-300-000	CABLE COMP. B, throttle	-	1	CB750-1044650~
4	17920-300-610	CABLE COMP. B, throttle	-	1	CB750-1053399~
		(Used in England, Germany, France & Netherlands)			
5	35300-300-043	SWITCH ASSY., starter lighting kill (TOYO)	1	-	CB750-1056130~1053398
		(Used in Australia)			
	35300-300-053	SWITCH ASSY., starter lighting kill (TOYO)	-	1	CB750-1053399~
		(Used in Australia)			
6	35300-300-620	SWITCH ASSY., starter dimmer kill	1	-	CB750-1053480~1053398
		(Not used in Australia & U.S.A.)			
	35300-300-621	SWITCH ASSY., starter dimmer kill	-	1	CB750-1053399~
		(Not used in Australia, U.S.A., General & E.D.)			
7	35300-300-672	SWITCH ASSY., starter lighting kill	1	-	~1044649
		(Used in U.S.A.)			
	35300-300-673	(Superseded by 35300-300-674)			
	35300-300-674	SWITCH ASSY., starter lighting kill	-	1	CB750-1044650~
		(Used in U.S.A. & General export)			
8	35300-300-730	SWITCH ASSY., starter dimmer kill	-	1	
		(Used in E.D.)			
9	35315-235-000	KNOB, lighting switch	1	1	
10	35317-001-310	BUTTON, horn push	1	1	
11	35318-259-000	SPRING, horn button	1	1	
12	53141-240-000	PIPE, throttle grip	1	-	~1044649
	53141-300-010	PIPE, throttle grip	-	1	CB750-1044650~
13	53163-305-010	ADJUSTER, throttle grip	1	-	~1011718
	53163-300-010	ADJUSTER, throttle grip	1	1	CB750-1017630~
14	53165-283-000	RUBBER, right grip	1	1	
15	53190-300-000	BOLT, throttle grip adjusting	-	1	CB750-1044650~
16	53191-300-000	SPRING, throttle adjuster	-	1	CB750-1044650~
17	88110-300-000	MIRROR, right back	1	-	~1044649
	88110-074-000	MIRROR, right back	-	1	CB750-1044650~ #
18	90124-292-000	SCREW, throttle grip adjusting	1	-	~1011718
			1	-	CB750-1017630~1044649
19	93500-05005-0A	SCREW, pan, 5x6	1	-	CB750-1011719~1017629
20	93500-05025-0A	SCREW, pan, 5x25	2	2	
21	94001-05000-05	NUT, hex, 5 mm	1	-	~1011718
			1	-	CB750-1017630~1044649

CB750-1053399 and subsequent are available for the other markets except for U.S.A.

F-2 L/H Handle Switch · Cable



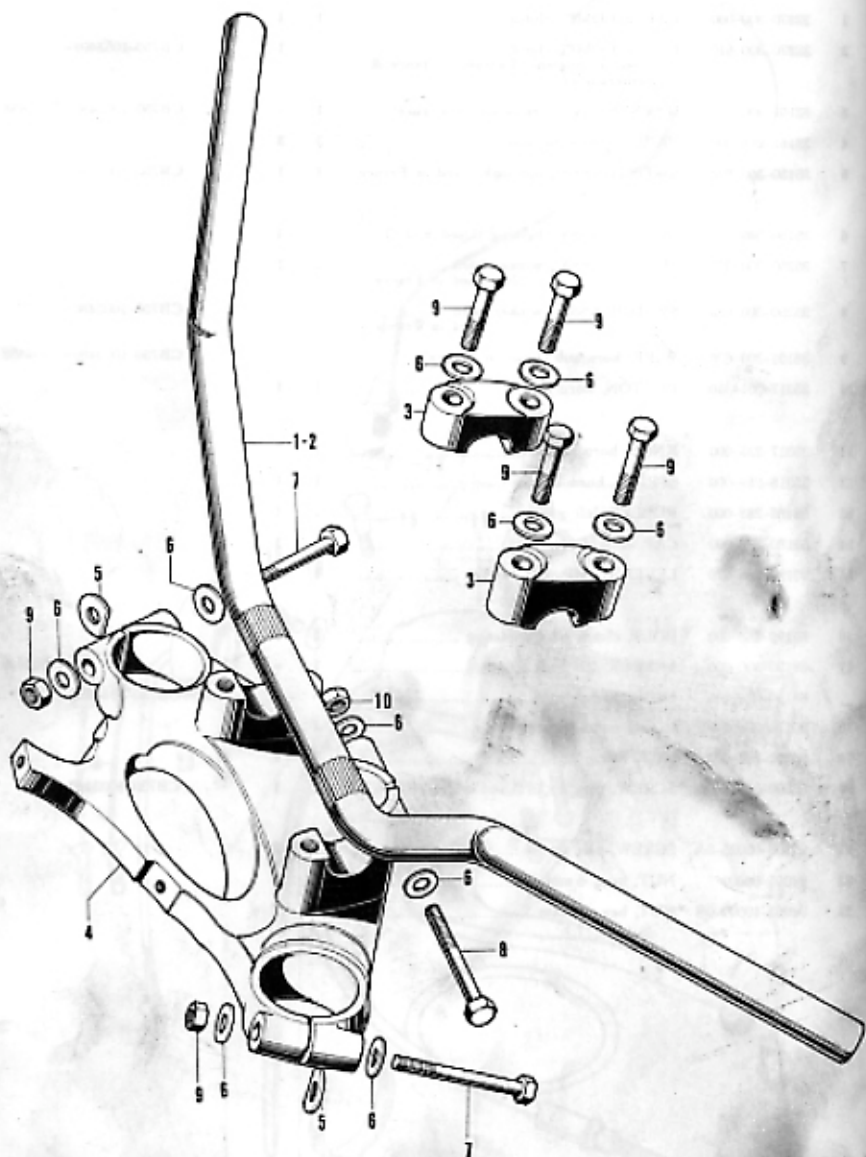
F-2 L/H Handle Switch - Cable

Ref. No.	Part No.	Description	Reqd. No.		Remarks
			CB 750	CB 750R3	
1	22870-300-000	CABLE COMP., clutch.....	1	1	
2	22870-300-610	CABLE COMP., clutch..... (Used in England, Germany, France & Netherlands)	-	1	CB750-1053409~
3	32101-300-620	HARNESS, sub wire (Used in France)	1	-	CB750-1003480-1004558
4	32161-268-000	BAND A, wire harness	3	3	
5	36150-300-620	SWITCH ASSY., optional (Used in France)	1	1	CB750-1003480-
6	35150-300-720	SWITCH ASSY., lighting (Used in E.D.) ...	-	1	
7	35230-300-633	SWITCH ASSY., winker horn	1	1	
		(Not used in France)			
8	35250-300-620	SWITCH ASSY., winker horn	1	1	CB750-1003480-
		(Used in France)			
9	38101-300-630	WIRE, horn sub (Used in France)	1	-	CB750-1003480-1004558
10	35317-001-310	BUTTON, horn push	1	1	
11	35317-235-000	KNOB, horn switch	1	1	
12	35318-259-000	SPRING, horn button	1	1	
13	53166-283-000	RUBBER, left grip.....	1	1	
14	53180-286-000	CAP, control lever.....	1	1	
15	53190-285-670	LEVER COMP., left handle	1	1	
16	53192-298-000	BOLT, clutch wire adjusting	1	1	
17	88120-300-000	MIRROR, left back	1	-	-1044649
	88120-074-000	MIRROR, left back	-	1	CB750-1044630~
18	90114-358-020	BOLT, handle lever pivot	1	1	
19	90321-292-000	NUT, fixing	1	1	
20	93500-04016-0A	SCREW, pan, 4x16 (Used in France & E.D.)	1	1	CB750-1003480-
21	93500-06025-0A	SCREW, pan, 5x25	2	2	
22	94001-06000	NUT, hex, 6 mm	1	1	
23	94001-10000-05	NUT, hex, 10 mm	2	2	


 Courtesy of **Honda4Fun**
www.hondafour.com www.honda4fun.com

* CB750-1053389 and subsequent are available for the other markets except for U.S.A.

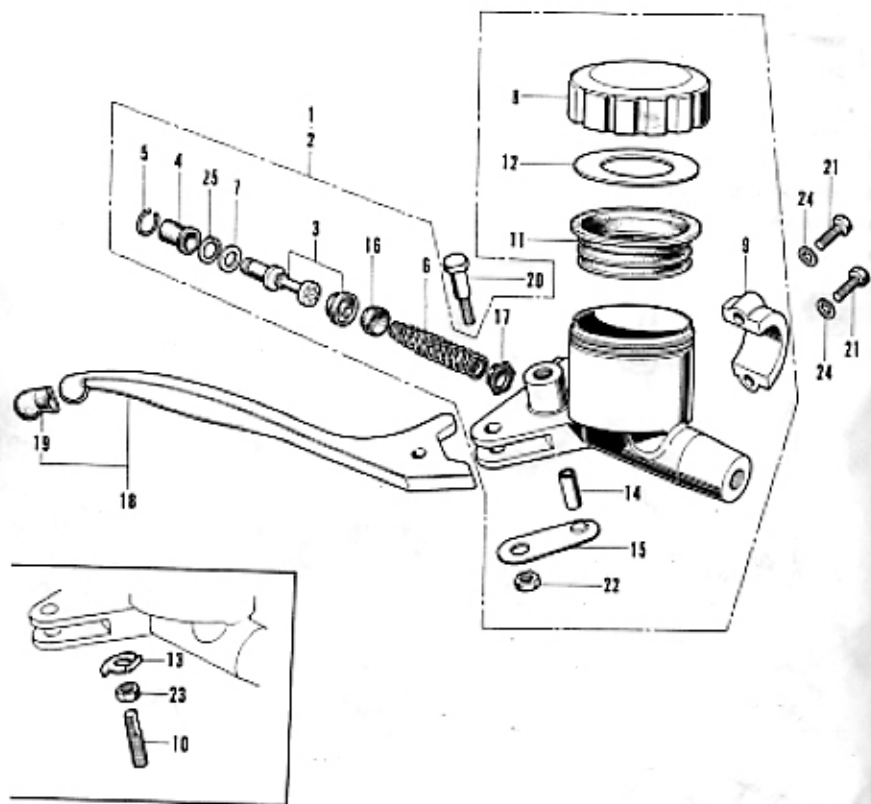
F-3 Handle · Top Bridge



F-3 Handle - Top Bridge

Ref. No.	Part No.	Description	Reqd. No.		Remarks
			CB	CB 750 75081	
1	53100-300-000	PIPE, steering handle	1	1	
2	53100-300-610	PIPE, steering handle	-	1	CB750-1053409-
		(Used in England, Germany, France & Netherlands)			
3	53151-300-000	HOLDER, handle pipe upper	2	2	
4	53230-300-010	BRIDGE, fork top	1	-	--1003433
	53230-300-030	Changing to 53230-300-673	-	-	
	53230-300-673	BRIDGE, fork top	1	1	CB750-1003434-
5	53235-300-000	WASHER, spacer	2	2	
6	90555-283-000	WASHER, special, 8 mm	10	10	
7	92000-08056-0B	BOLT, hex, 8x56	2	2	
8	92000-08074-0B	BOLT, hex, 8x74	1	1	
9	93000-08040-0B	BOLT, hex, 8x40	4	4	
10	94001-08020-0S	NUT, hex, 8 mm	3	3	

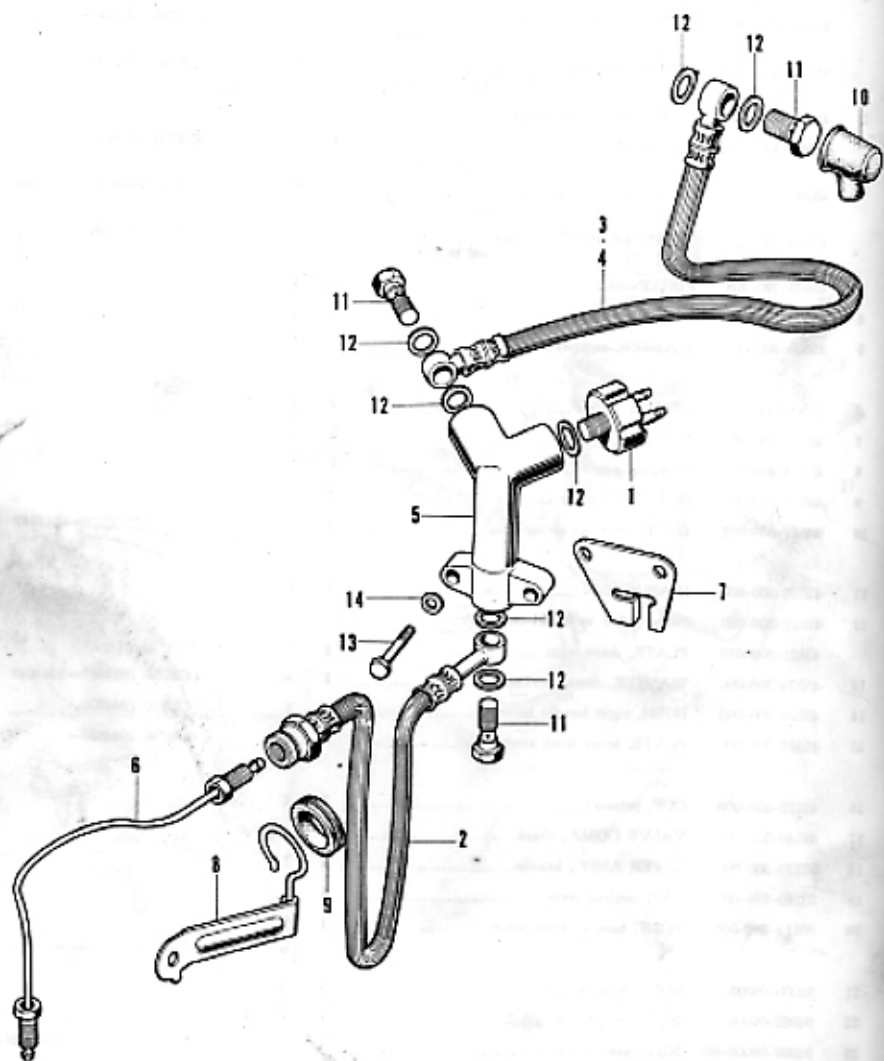
F-4 Brake Master Cylinder



F-4 Brake Master Cylinder

Ref. No.	Part No.	Description	Reqd. No.		Remarks
			CB 750	CB 750K1	
1	45500-300-000	(Superseded by 45500-300-040)	1	-	~1044649
	45500-300-040	CYLINDER ASSY., master (Not used in France)	-	1	CB750-1044650~1071335
	45500-300-060	CYLINDER ASSY., master (Not used in France)	-	1	CB750-1071336~
2	45500-300-620	(Superseded by 45500-300-621)			
	45500-300-621	CYLINDER ASSY., master (Used in France)	1	-	CB750-1003480~1044649
	45500-300-622	CYLINDER ASSY., master (Used in France)	-	1	CB750-1044650~1071335
	45500-300-623	CYLINDER ASSY., master (Used in France)	-	1	CB750-1071336~
3	45500-300-305	PISTON-SET	1	1	
4	45504-300-003	BOOTS	1	1	
5	45505-300-003	WASHER, stopper	1	1	
6	45506-300-003	SPRING COMP.	1	1	
7	45512-300-003	WASHER, 10.5 φ	1	1	
8	45513-300-020	CAP, oil cup	1	1	
9	45517-300-003	HOLDER, master cylinder	1	1	
10	45518-300-003	BOLT, lever adjusting	1	-	~1044649
11	45520-300-000	DIAPHRAGM	1	1	
12	45521-300-000	(Superseded by 45521-300-010)			
	45521-300-010	PLATE, diaphragm	1	1	
13	45525-300-000	WASHER, master cylinder	1	-	CB750-1027587~1044649
14	45526-300-000	BUSH, right handle lever	-	1	CB750-1044650~
15	45527-300-000	PLATE, lever bush setting	-	1	CB750-1044650~
16	46125-533-003	CUP, primary	1	1	
17	46140-533-003	VALVE COMP., check	1	1	
18	53170-300-000	LEVER ASSY., handle	1	1	
19	53180-295-000	GAP, control lever	1	1	
20	90114-300-000	BOLT, handle lever pivot	1	1	
21	92000-06025	BOLT, hex, 6x25	2	2	
22	94002-06000	NUT, hex, 6 mm	1	1	
23	94002-08000-0S	NUT, hex, 8 mm	1	-	~1044649
24	94111-06000	WASHER, spring, 6 mm	2	2	
25	94520-18000	CIR-CLIP, internal, 18 mm	1	1	

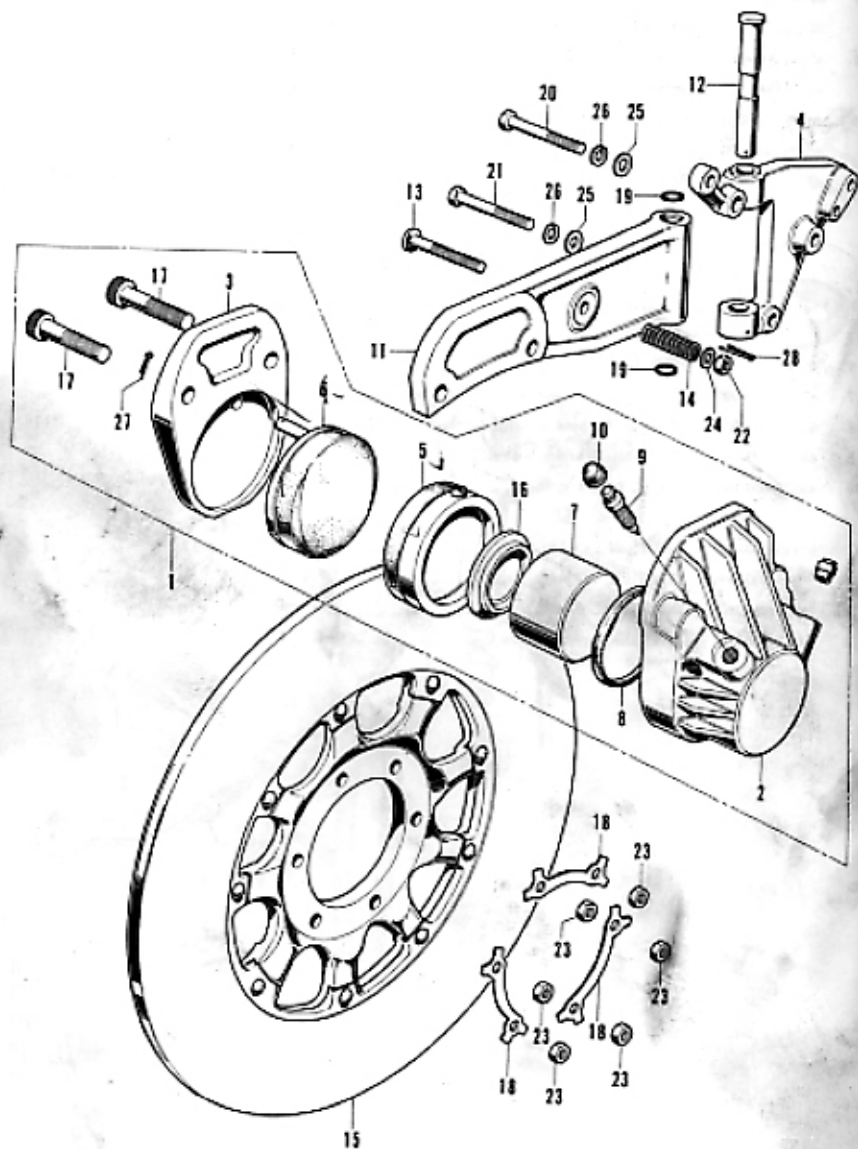
F-5 Front Brake Hose



F-5 Front Brake Hose

Ref. No.	Part No.	Description	Reqd. No.		Remarks
			CB	CB 750 750SL	
1	35350-300-005	SWITCH ASSY., stop	1	1	CB750 ~
	35350-300-016	SWITCH ASSY., stop	-	1	
2	45125-300-010	HOSE A, front brake	1	1	CB750 ~ 1071335
	45125-300-020	HOSE A, front brake	-	1	CB750-1071336~
3	45126-300-020	HOSE B, front brake	1	1	CB750 ~ 1071335
	45126-300-030	HOSE B, front brake	-	1	CB750-1071336~
4	45126-300-610	HOSE B, front brake (Used in England, Germany, France & Neatherlands)	-	1	CB750-1063409-1071335
	45126-300-611	HOSE B, front brake (Used in England, Germany, France & Neatherlands)	-	1	CB750-1071336~
5	45127-300-020	JOINT, three way	1	1	
6	45128-300-010	PIPE B, front brake	1	1	
7	45129-300-000	GUIDE, front brake hose	1	1	CB750-1003951~
8	45145-300-020	CLIP, brake hose	1	1	
9	45146-300-000	GROMMET, brake hose	1	1	
10	45523-300-010	BOOT, master cylinder	1	1	CB750-1002721~
11	90145-300-000	BOLT, oil	3	3	
12	90145-300-000	WASHER, oil bolt	7	7	
13	92000-06028	BOLT, hex., 6x28	4	4	
14	94111-06000	WASHER, spring, 6mm	4	4	

F-6 Front Brake Caliper - Disk



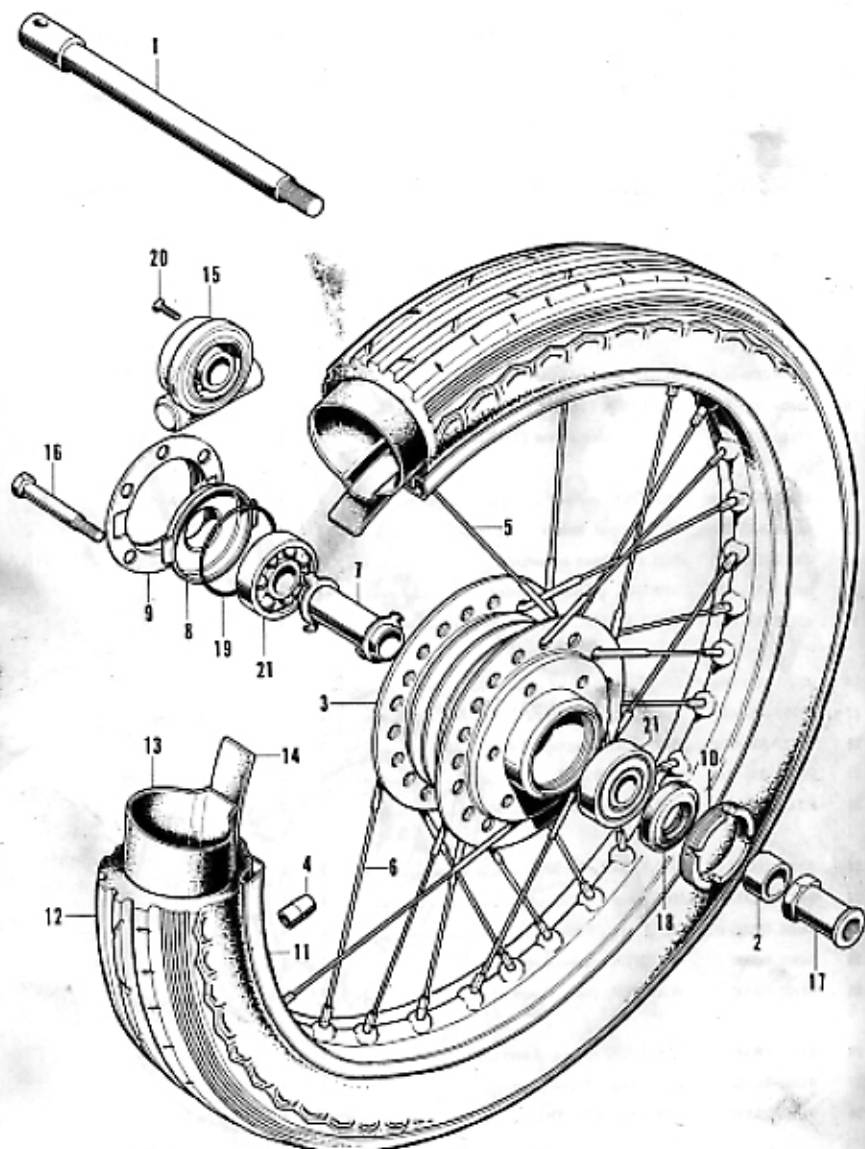
F-6 Front Brake Caliper - Disk

Ref. No.	Part No.	Description	Reqd. No.		Remarks
			CB	CB 750/750K1	
1	45100-300-023	CALIPER ASSY. (TOKIKO).....	1	-	~1044649
	45100-300-023B	CALIPER ASSY. (TOKIKO).....	-	1	CB750-1044650- * *
2	45101-300-033	(Superseded by 45101-300-043)	1	-	~1044649
	45101-300-043	CALIPER A (TOKIKO)	-	1	CB750-1044650-1071335*
	45101-300-063	CALIPER A (TOKIKO)	-	1	CB750-1071336~
3	45102-300-033	(Superseded by 45102-300-043)	1	-	~1044649
	45102-300-043	CALIPER B (TOKIKO)	-	1	CB750-1044650~
4	45104-300-040	JOINT, caliper holder	1	1	
5	45105-300-040	PAD A	1	1	
6	45106-300-040	PAD B	1	1	
7	45107-300-003	PISTON (TOKIKO)	1	1	
8	45108-300-003	SEAL, piston (TOKIKO).....	1	1	
9	45109-300-003	BLEEDER (TOKIKO)	1	1	
10	45110-300-003	CAP, bleeder screw (TOKIKO).....	1	1	
11	45115-300-030	HOLDER, caliper	1	1	
12	45116-300-030	PIN, caliper holder	1	1	
13	45117-300-030	BOLT, caliper adjusting	1	1	
14	45119-300-030	SPRING, caliper adjusting	1	1	
15	45120-300-040	DISK COMP., front brake	1	1	
16	45151-300-000	SEAT, pad	1	1	
17	90165-300-013	BOLT, caliper setting (TOKIKO).....	2	2	
18	90222-300-010	WASHER, tongue, 8 mm	3	3	
19	91258-300-000	O-RING, 10x1.7.....	2	2	
20	92000-08040-A	BOLT, hex., 8x40	2	2	
21	92000-08050-0A	BOLT, hex., 8x50	1	1	
22	94001-06000	NUT, hex., 6 mm	1	1	
23	94001-08000-05	NUT, hex., 8 mm	6	6	
24	94101-06000	WASHER, plain, 6 mm.....	1	1	
25	94101-08000	WASHER, plain, 8 mm.....	3	3	
26	94111-06000	WASHER, spring, 6 mm	1	1	
27	94201-16120	PIN, split, 1.6x12	1	1	
28	94201-25300	PIN, split, 2.5x30	1	1	


 Courtesy of **Honda4Fun**
www.hondafour.com www.honda4fun.com

* CB750-1063399 and subsequent are available for the other markets except for U.S.A.

F-7 Front Wheel



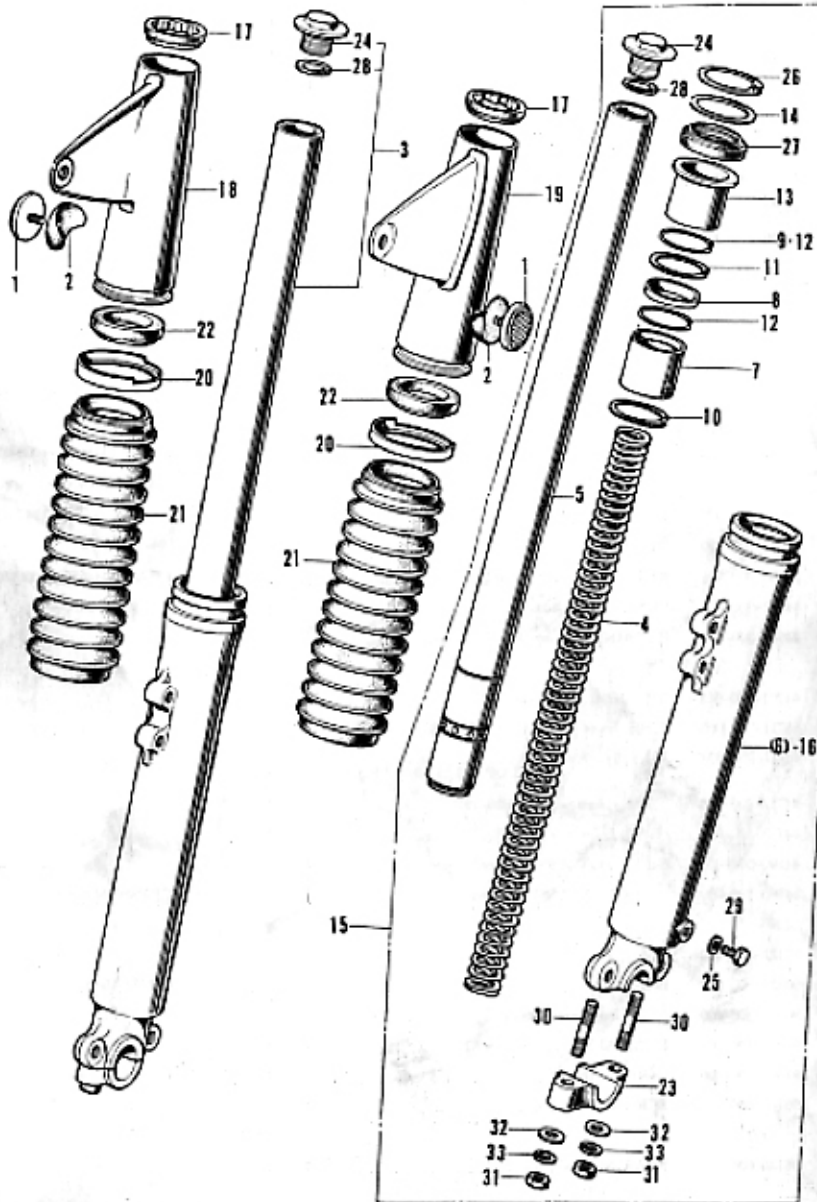
F-7 Front Wheel

Ref. No.	Part No.	Description	Reqd. No.		Remarks
			CB	CB 750 750K1	
1	44301-300-000	AXLE, front wheel	1	1	
2	44311-300-000	COLLAR, front wheel	1	1	
3	44501-300-030	HUB, front wheel	1	-	~1044649
	44501-300-040	HUB, front wheel	-	1	CB750-1044650~ *
4	44506-283-000	BALANCER, wheel (20 g)	(0~2)		
	44507-283-000	BALANCER, wheel (15 g)	(0~2)		
	44508-283-000	BALANCER, wheel (10 g)	(0~2)		
	44509-283-000	BALANCER, wheel (5 g)	(0~2)		
5	44506-300-003	SPOKE A, front (DAIDO)	20	20	
6	44507-300-003	SPOKE B, front (DAIDO)	20	20	
7	44520-300-020	COLLAR, front axle distance	1	1	
8	44541-300-000	RETAINER, gear box	1	-	-1044649
	44541-300-010	(Superseded by 44064-300-000)			
	44064-300-000	RETAINER-SET, gear box	-	1	CB750-1044650~1058489*
	44541-300-020	RETAINER, gear box	-	1	CB750-1058490~
9	44542-300-000	COVER, gear box retainer	1	-	~1044649
	44542-300-010	(Superseded by 44064-300-000)			
	44064-300-000	RETAINER-SET, gear box	-	1	CB750-1044650~1058489*
	44542-300-020	COVER, gear box retainer	-	1	CB750-1058490~
10	44543-300-000	RETAINER, front wheel bearing	1	1	
11	44701-300-013	RIM, front wheel (DAIDO)	1	1	
12	44711-300-003	TIRE, front wheel (B.S. MC 3.25-19 4 P.R.)	1	1	
	44711-300-004	TIRE, front wheel (DUNLOP S 3.25-19 4 P.R.)	1	1	
13	44712-300-000	TUBE, front wheel (3.25-19)	1	1	
14	44713-300-000	FLAP, front tire	1	1	
15	44800-300-020	GEAR BOX ASSY, speedometer	1	-	-1044649
	44800-300-030	GEAR BOX ASSY, speedometer	-	1	CB750-1044650~ *
16	90122-300-010	BOLT, 8x100	6	-	-1044649
	90122-300-020	BOLT, 8x102	-	6	CB750-1044650~ *
17	90305-300-000	NUT, front wheel axle	1	1	
18	91252-300-003	DUST-SEAL, 22368 (ARA1)	1	1	
19	91302-300-000	O-RING, 58x2	-	1	CB750-1058490~
20	93700-05015-0A	SCREW, oval, 5x15	1	1	
21	96140-63020	BEARING, ball, 6302R	2	2	


 Courtesy of **Honda4Fun**
www.honda4fun.com

* CB750-1063099 and subsequent are available for the other markets except for U.S.A.

F-8 Front Cushion

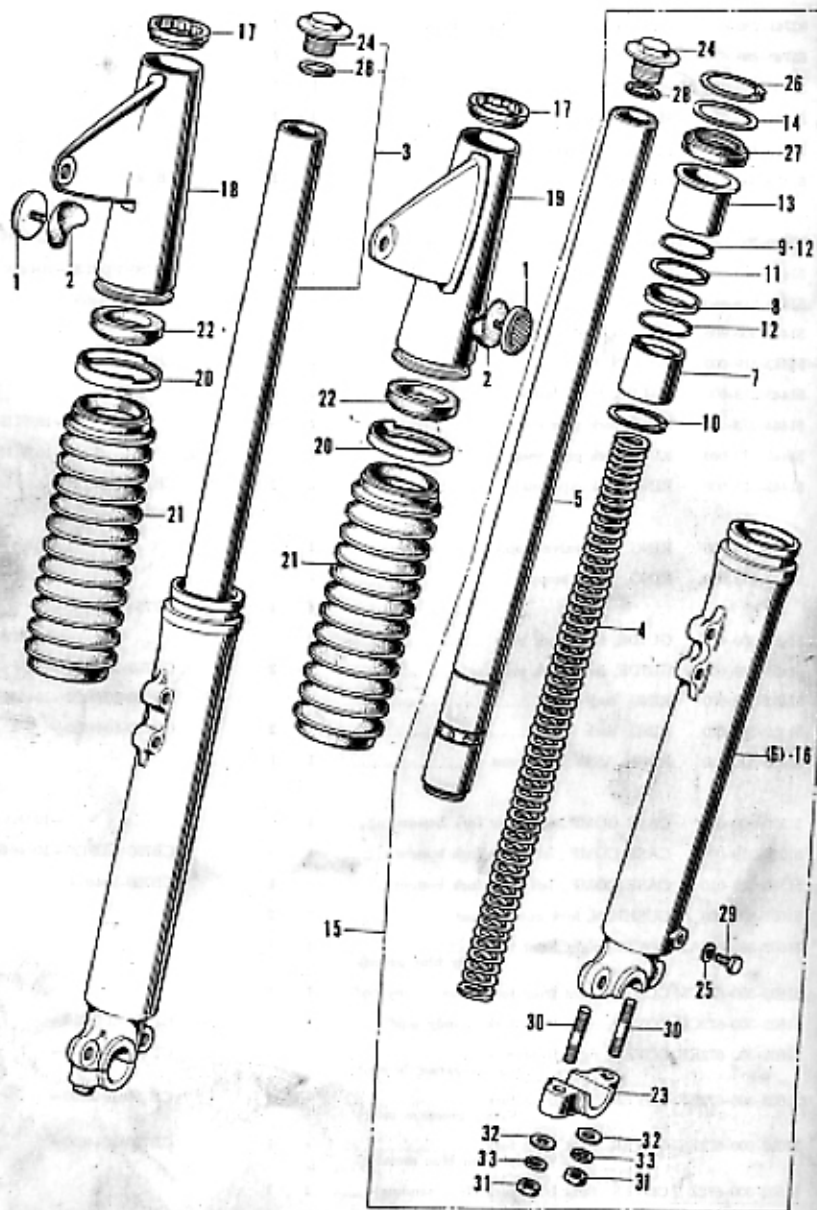


F-8 Front Cushion

Ref. No.	Part No.	Description	Reqd. No.		Remarks
			CB	CB 750 750R1	
1	33741-286-670	REFLECTOR ASSY., front reflex	2	2	
2	33743-286-670	BASE, front reflex reflector	2	2	
3	51400-300-030	FORK ASSY., right front	1	1	
4	51401-300-000	SPRING, front cushion	2	2	
5	51410-300-010	PIPE, front fork	2	-	~1039119
	51410-300-020	PIPE, front fork	2	2	CB750-1039120~
6	51420-300-040	CASE COMP., right front fork bottom	1	-	~1039119
	51420-319-000	CASE COMP., right front fork bottom	1	-	CB750-1039120~1044649
	51420-319-010	CASE COMP., right front fork bottom	-	1	CB750-1044650~
7	51442-300-000	PISTON, front fork	2	-	~1039119
	51442-319-000	PISTON, front fork	2	2	CB750-1039120~
8	51443-273-000	VALVE, front damper	2	2	
9	51444-273-000	RING, fork pipe stopper	2	-	~1039119
10	51445-273-000	RING, fork pipe snap	2	-	~1039119
	51445-319-000	RING, fork pipe snap	2	2	CB750-1039120~
11	51446-273-000	RING, fork valve stopper	2	2	
12	51447-273-000	RING, piston stopper	2	-	~1039119
			4	4	CB750-1039120~
13	51451-300-000	GUIDE, front fork pipe	2	-	~1039119
	51451-319-000	GUIDE, front fork pipe	2	2	CB750-1039120~
14	51452-319-000	RING, back up	2	-	CB750-1039120~1044649
	51452-319-010	RING, back up	-	2	CB750-1044650~
15	51500-300-030	FORK ASSY., left front	1	1	
16	51520-300-040	CASE COMP., left front fork bottom	1	-	~1039119
	51520-319-000	CASE COMP., left front fork bottom	1	-	CB750-1039120~1044649
	51520-319-010	CASE COMP., left front fork bottom	-	1	CB750-1044650~
17	51601-300-000	CUSHION, fork cover upper	2	2	
18	51602-300-672AZ	COVER, right front fork	1	1	
		(Candy blue green)			
	51602-300-672CM	COVER, right front fork (Candy ruby red),	1	1	
	51602-300-672CQ	COVER, right front fork (Candy gold)	1	1	CB750-1039210~
	51602-300-672EE	COVER, right front fork	-	1	CB750-1044650~
		(Candy garnet brown)			
	51602-300-672EF	COVER, right front fork	-	1	CB750-1044650~
		(Valley green metallic)			
	51602-300-672FG	COVER, right front fork	-	1	CB750-1044650~
		(Polynesian blue metallic)			
	51602-300-672Z	COVER, right front fork (Non sanding).....	1	1	



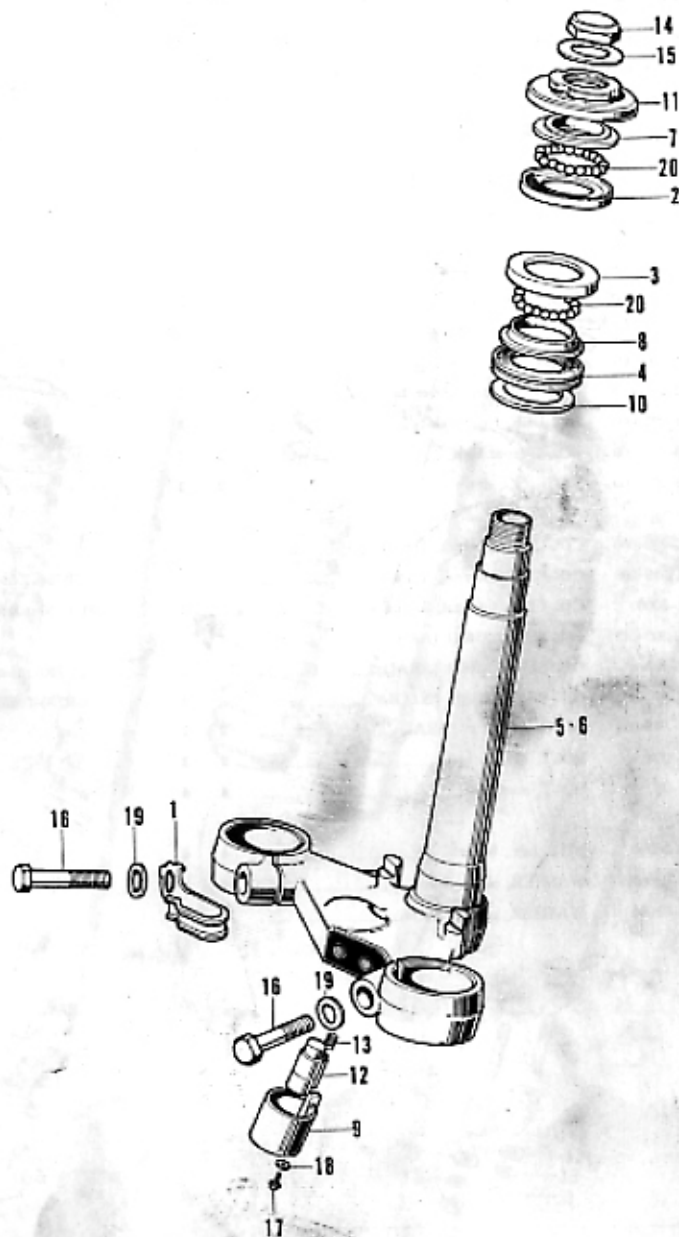
F-8 Front Cushion



F-8 Front Cushion

Ref. No.	Part No.	Description	Reqd. No.		Remarks
			CB	750/750K1	
19	51606-300-672AZ	COVER, left front fork (Candy blue green)	1	1	
	51606-300-672CM	COVER, left front fork (Candy ruby red)...	1	1	
	51606-300-672CQ	COVER, left front fork (Candy gold).....	1	1	CB750-1009210~
	51606-300-672EE	COVER, left front fork..... (Candy garnet brown)	-	1	CB750-1044650~
	51606-300-672EF	COVER, left front fork..... (Candy green metallic)	-	1	CB750-1044650~
	51606-300-672EG	COVER, left front fork..... (Polynesian blue metallic)	-	1	CB750-1044650~
	51606-300-672Z	COVER, left front fork (Non sanding)	1	1	
20	51608-300-000	RIB, front fork	2	2	
21	51611-300-000	BOOT, front fork	2	2	
22	51622-292-010	CUSHION, fork cover lower	2	2	
23	51634-292-000	HOLDER, front axle	2	2	
24	90110-300-000	BOLT, front fork	2	2	
25	90543-273-000	PACKING, drain cock	2	2	
26	90601-292-000	CIR-CLIP, internal, 47 mm	2	-	~1009119
	90601-319-000	CIR-CLIP, internal, 47 mm	2	-	CB750-1009130~1044649
	94521-50000	CIR-CLIP, internal, 50 mm	-	2	CB750-1044650~
27	91255-300-013	OIL-SEAL, 354611 (ARAJ).....	2	-	~1044649
	91255-300-023	OIL-SEAL, 354811 (ARAJ).....	-	2	CB750-1044650~
	91255-300-025	OIL-SEAL, 354811 (N.O.K.)	-	2	CB750-1044650~
28	91256-300-003	O-RING, 23×28 (ARAJ)	2	2	
29	92300-06010	BOLT, hex., 6×10	2	2	
30	92700-08049	BOLT, stud, 8×49	4	4	
31	94000-08000	NUT, hex., 8 mm	4	4	
32	94101-08000	WASHER, plain, 8 mm.....	4	4	
33	94111-08000	WASHER, spring, 8 mm	4	4	

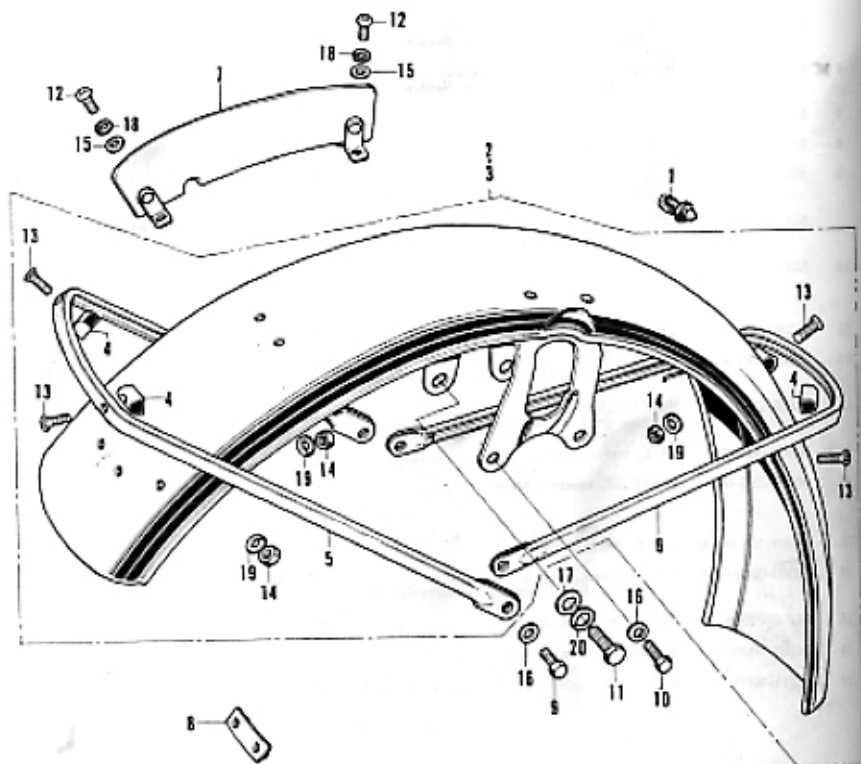
F-9 Steering Stem



F-9 Steering Stem

Ref. No.	Part No.	Description	Reqd. No.		Remarks
			CB	CB 750/750K1	
1	4545-300-000	CLIP, speedometer cable	1	1	
2	5001-268-305	RACE, steering top ball	1	1	
3	5002-268-305	RACE, steering bottom ball	1	1	
4	5314-250-000	DUST-SEAL, steering head	1	1	
5	5320-300-020B	(Superseded by 53000-300-020B)			
	53000-300-020B	STEM COMP., steering (Black) (Not used in Germany & Netherlands)	1	1	~1048852
	53200-300-030B	STEM COMP., steering (Black) (Not used in Germany & Netherlands)	-	1	CB750-1048853~
6	53000-300-610B	STEM COMP., steering (Black) (Used in Germany & Netherlands)	1	1	CB750-1010360-
7	53211-268-305	RACE, steering top cone	1	1	
8	53212-250-305	RACE, steering bottom cone	1	1	
9	53215-230-000	COVER COMP., handle lock case (Not used in Germany & Netherlands)	1	1	~1048852
	53215-317-000	COVER COMP., handle lock case (Not used in Germany & Netherlands)	-	1	CB750-1048853~
10	53215-250-000	WASHER, steering head dust-seal	1	1	
11	53220-295-000	THREAD COMP., steering head top	1	1	
12	53600-230-000	LOCK COMP., handle (Not used in Germany & Netherlands)	1	1	
13	53631-268-020	SPRING, handle lock (Not used in Germany & Netherlands)	1	1	
14	90004-300-000	NUT, steering stem	1	1	
15	90003-283-000	WASHER, steering stem	1	1	
16	92000-10040-0A	BOLT, hex., 10x40	2	2	
17	93500-00008-0A	SCREW, pan, 3x8 (Not used in Germany & Netherlands)	1	1	
18	94101-00000	WASHER, plain, 3 mm	1	1	
19	94102-10000	WASHER, plain, 10 mm	2	2	
20	96211-00000	BALL, steel, RBS (1/4")	37	37	

F-10 Front Fender

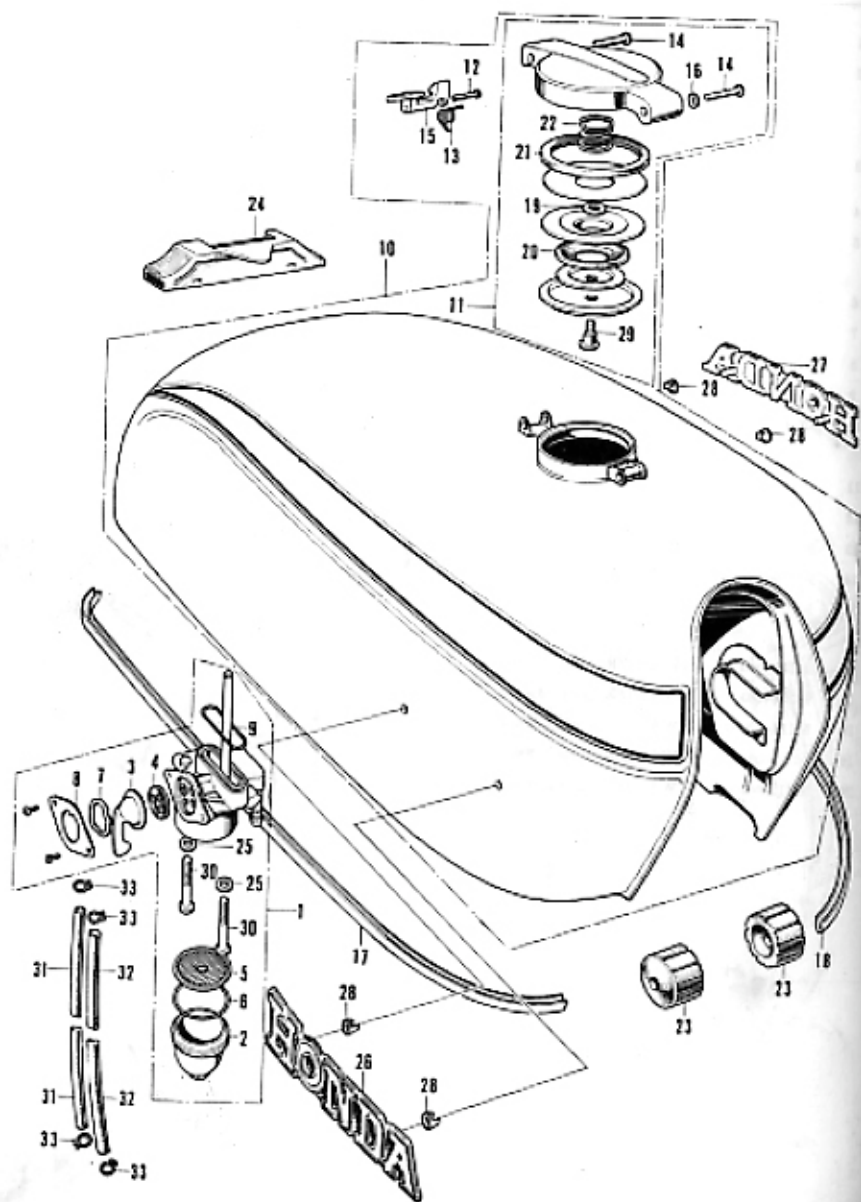


F-10 Front Fender

Ref. No.	Part No.	Description	Reqd. No.		Remarks
			CB	750/750R1	
1	4541-283-000	GROMMET, cable	1	1	CB750-1015593~
2	61100-300-000XW	(Superseded by 61100-300-040XW with 4541-283-000)	1	-	-1015592
	61100-300-040XW	FENDER COMP., front (Chrome)	1	1	CB750-1015593~
		(Not used in England)			
3	61100-300-600XW	FENDER COMP., front (Chrome)	1	1	CB750-1010369~
		(Used in England)			
4	61102-300-000	PIECE, fender setting	4	4	
5	61105-300-000	STAY A, front fender	1	1	
6	61107-300-000	STAY B, front fender	1	1	
7	61131-283-000	PLATE, front number (Used in England) ...	1	1	CB750-1010369~
8	61132-001-811	WASHER, number plate (Used in England)	2	2	CB750-1010369~
9	92000-06012	BOLT, hex., 6x12	4	4	
10	92000-06025	BOLT, hex., 6x25	2	2	
11	92000-08025-0A	BOLT, hex., 8x25	2	2	
12	93500-04012-0B	SCREW, pan, 4x12 (Used in England)	4	4	
13	93700-05025-0B	SCREW, oval, 5x25	4	4	
14	94001-06020-0S	NUT, hex., 5 mm	4	4	
15	94101-04000	WASHER, plain, 4 mm (Used in England)...	4	4	
16	94101-06000	WASHER, plain, 6 mm	6	6	
17	94101-08000	WASHER, plain, 8 mm	2	2	
18	94111-04000	WASHER, spring, 4 mm	4	4	
19	94111-05000	WASHER, spring, 5 mm	4	4	
20	94111-06000	WASHER, spring, 6 mm	2	2	



F-11 Fuel Tank - Cock

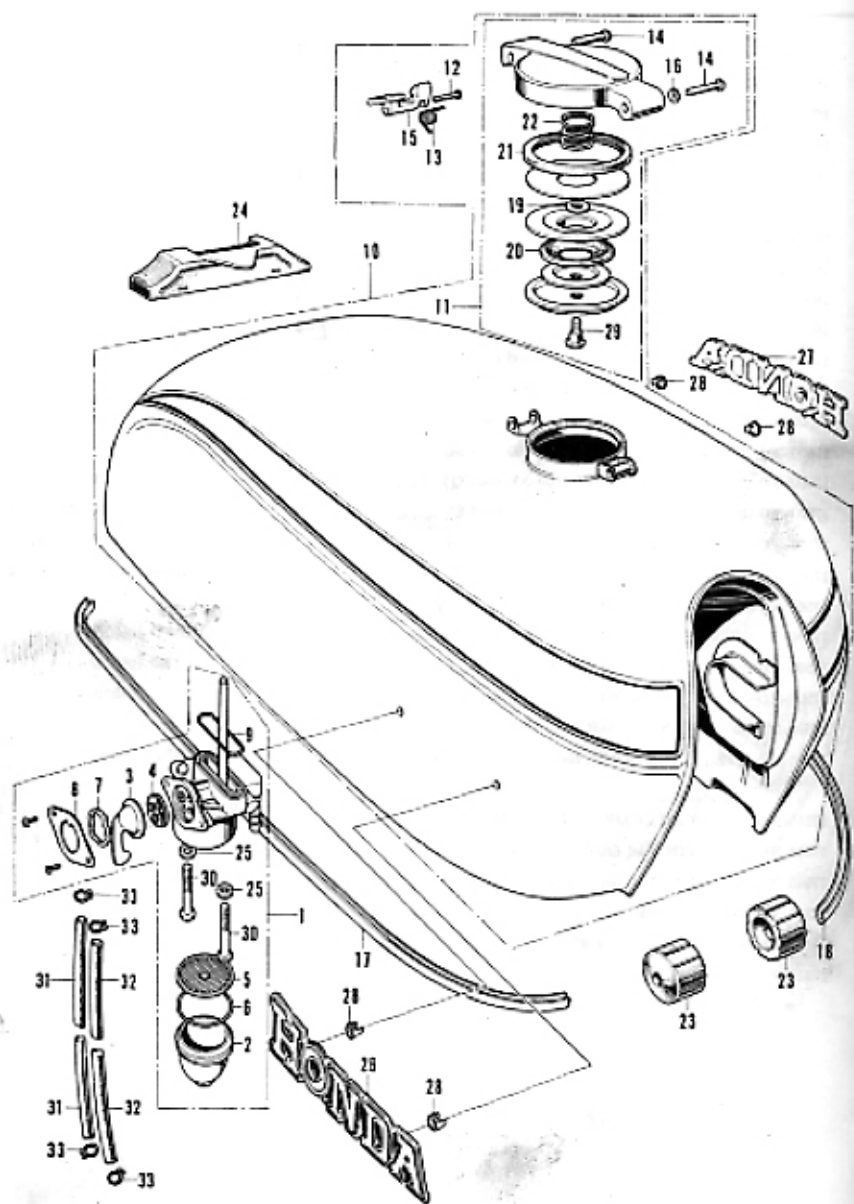


F-11 Fuel Tank - Cock

Ref. No.	Part No.	Description	Reqd. No.		Remarks
			CB	CB 750 750K1	
1	16950-300-000	COCK ASSY., fuel	1	1	
2	16952-268-000	CUP, fuel strainer	1	1	
3	16953-268-020	LEVEL, fuel cock	1	1	
4	16955-268-020	PACKING, fuel cock valve	1	1	
5	16957-268-010	SCREEN, fuel strainer	1	1	
4	16958-268-010	PACKING, fuel strainer	1	1	
7	16960-268-010	SPRING, cock lever	1	1	
8	16961-268-010	PLATE, fuel cock lever setting	1	1	
9	16997-273-006	O-RING, 23 φ	1	1	
10	17500-300-03AAZ (Superseded by 17500-300-03QAZ)				
	17500-300-03CCM (Superseded by 17500-300-03QCM)				
	17500-300-03QAZ (Superseded by 17500-300-04QAZ)		1	1	- 1055209
	17500-300-03QCM (Superseded by 17500-300-04QCM)		1	1	- 1055209
	17500-300-03QCQ (Superseded by 17500-300-04QCQ)		1	1	CB750-1019210-1055209
	17500-300-03QEE (Superseded by 17500-300-04QEE)		-	1	CB750-1044650-1055209*
	17500-300-03QEF (Superseded by 17500-300-04QEF)		-	1	CB750-1044650-1055209*
	17500-300-03QEG (Superseded by 17500-300-04QEG)		-	1	CB750-1044650-1055209*
	17500-300-04QAZ TANK COMP., fuel (Candy blue green) ...		-	1	CB750-1055210~
	17500-300-04QCM TANK COMP., fuel (Candy ruby red)		-	1	CB750-1055210~
	17500-300-04QCQ TANK COMP., fuel (Candy gold)		-	1	CB750-1055210~
	17500-300-04QEE TANK COMP., fuel (Candy garnet brown)...		-	1	CB750-1055210~
	17500-300-04QEF TANK COMP., fuel (Valley green metallic)		-	1	CB750-1055210~
	17500-300-04QEG TANK COMP., fuel (Polynesian blue metallic)		-	1	CB750-1055210~
11	17510-300-163	CAP COMP., fuel filler (TOYOSHIA)	1	1	
12	17513-300-300	PIN, fuel filler cap check	1	1	
13	17515-300-300	SPRING, cap check	1	1	
14	17516-300-300	PIN, fuel filler cap	2	2	
15	17517-300-330	CHECK, fuel filler cap	1	1	
	17517-300-340	CHECK, fuel filler cap	-	1	

* CB750-1063399 and subsequent are available for the other markets except for U.S.A.

F-11 Fuel Tank - Cock

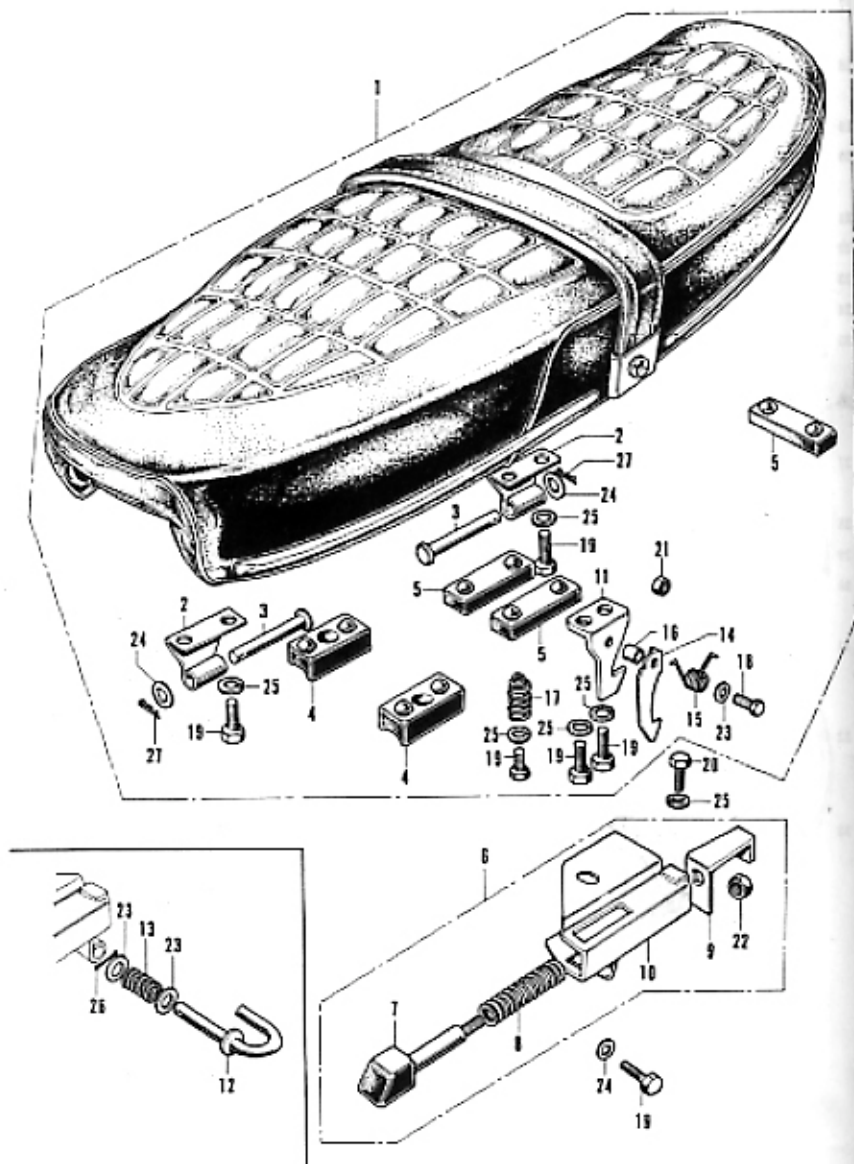


F-11 Fuel Tank - Cock

Ref. No.	Part No.	Description	Repl. No.		Remarks
			CB	CB 750-750K1	
16	17520-300-300	WASHER, fuel filler cap friction	1	1	
17	17521-300-000	MOLE, right fuel tank	1	-	~1044549
	17521-300-010	MOLE, right fuel tank	-	1	CB750-1044650~ * ~1044549
18	17522-300-000	MOLE, left fuel tank	1	-	~1044549
	17522-300-010	MOLE, left fuel tank	-	1	CB750-1044650~ * ~1044549
19	17523-300-000	WASHER, plain	1	1	
20	17524-300-000	SEPARATER A, fuel	1	1	
21	17525-300-000	PACKING, fuel filler cap	1	1	
22	17526-300-000	SPRING, seat	1	1	
23	17511-283-010	CUSHION, fuel tank front	2	2	
24	17513-292-000	CUSHION, fuel tank rear	1	1	
25	17993-250-000	PACKING, fuel cock fixing	2	2	
26	87121-300-020	EMBLEM, right fuel tank	1	-	~1044649
	87121-300-030	EMBLEM, right fuel tank	-	1	CB750-1044650~ * ~1044649
27	87122-300-020	EMBLEM, left fuel tank	1	-	~1044649
	87122-300-030	EMBLEM, left fuel tank	-	1	CB750-1044650~ * ~1044649
28	87311-516-000	NUT, rear ornament clamp	4	4	
29	90167-300-000	SCREW	1	1	
30	93500-00028	SCREW, pan, 6x28	2	2	
31	95001-50160	TUBE, fuel, 5x160	1	1	
	95001-50190	TUBE, fuel, 5x190	-	1	CB750-1044649-1071335
	95001-55350	TUBE, fuel, 5.5x190	-	1	CB750-1071336
32	95001-50280	TUBE, fuel, 5x280	1	1	
	95001-50350	TUBE, fuel 5x350	-	1	CB750-1044649-1071335
	95001-55350	TUBE, fuel, 5.5x350	-	1	CB750-1071336~ ~1071335
33	95002-50000	CLIP, fuel tube, 5φ	4	4	~1071335
	95002-12100	CLIP, B10 tube	-	4	CB750-1071336~ ~1071335

* CB750-1063209 and subsequent are available for the other markets except for U.S.A.

F-12 Double Seat



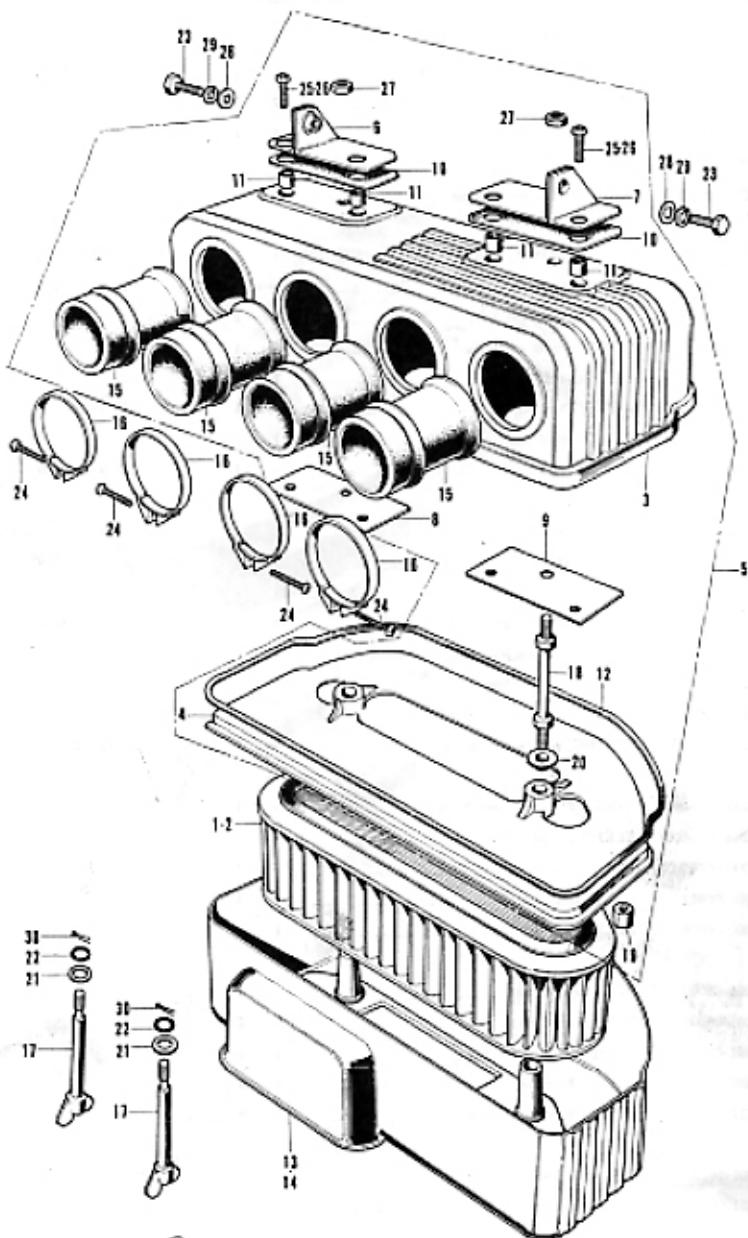
F-12 Double Seat

Ref. No.	Part No.	Description	Reqd. No.		Remarks
			CB	CB 750 750K1	
1	77200-300-000A	SEAT COMP., double (Black)	1	-	~1044649
	77200-300-000A	SEAT COMP., double (Black)	-	1	CB750-1044650-*
2	77201-300-010	HINGE, seat.....	2	2	
3	77203-300-000	BAR, seat hinge	2	2	
4	77204-292-000	RUBBER A, seat setting	2	2	
5	77205-286-000	RUBBER B, seat setting	3	3	
6	77230-300-000	CATCH COMP., seat	1	-	~1044649
	77230-300-010	CATCH COMP., seat	-	1	CB750-1044650~*
7	77231-300-010	SLIDER, seat catch	1	1	
8	77232-300-000	SPRING, seat catch	1	1	
9	77233-300-010	LEVER, seat catch.....	1	-	~1044649
	77233-300-020	LEVER, seat catch.....	-	1	CB750-1044650~*
10	77234-300-010	PLATE, seat catch.....	1	-	~1044649
	77234-300-020	PLATE, seat catch.....	-	1	CB750-1044650~*
11	77235-300-010	HOOK, seat catch	1	-	~1044649
	77235-300-020	HOOK, seat catch	-	1	CB750-1044650~
12	77238-300-000	LEVER, seat catch safety	1	-	~1000263
	77238-300-010	LEVER, seat catch safety	1	1	CB750-1000264~
13	77239-300-000	SPRING, safety lever	1	-	~1000263
	77239-300-010	SPRING, safety lever	1	1	CB750-1000264~
14	77241-300-000	HOOK, seat catch safety	-	1	CB750-1044650~
15	77242-300-000	SPRING, seat safety hook	-	1	CB750-1044650~
16	77243-300-000	COLLAR, seat safety hook	-	1	CB750-1044650~
17	77244-300-000	SPRING, seat lift	-	1	CB750-1044650~
18	92000-05015-0A	BOLT, hex., 5x10	-	1	
19	92000-06012	BOLT, hex., 6x12	7	8	
20	92000-06016	BOLT, hex., 6x16	1	1	
21	94001-05000	NUT, hex., 5 mm	-	1	
22	94001-06000	NUT, hex., 6 mm	1	1	
23	94101-05000	WASHER, plain, 5 mm.....	2	1	
24	94101-06000	WASHER, plain, 6 mm.....	3	3	
25	94111-06000	WASHER, spring, 6 mm	7	8	
26	94201-16120	PIN, split, 16x12	1	1	
27	94251-06000	PIN, lock, 6 mm	2	2	

* CB750-1053399 and subsequent are available for the other markets except for U.S.A.



F-13 Air Cleaner Case - Element

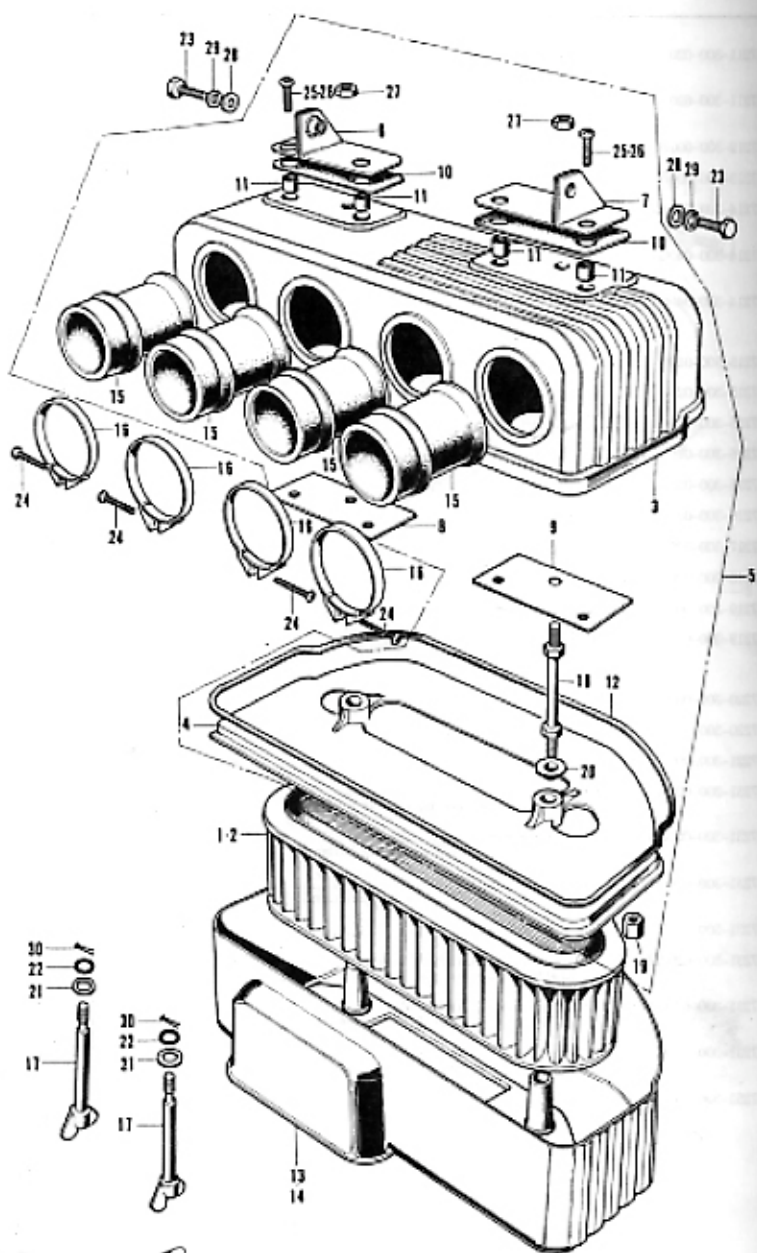


F-13 Air Cleaner Case - Element

Ref. No.	Part No.	Description	Reqd. No. CB CB 750 750CJ	Remarks
1	17211-300-020	ELEMENT, air cleaner (Not used in France, Germany & Netherlands)	1 1	
2	17211-300-020	ELEMENT, air cleaner (Used in France, Germany & Netherlands)	1 1	CB750-1003480~
3	17212-300-000B	CASE, air cleaner (Black)	- 1	CB750-1044650- *
4	17213-300-000B	SEPARATOR, air cleaner (Black).....	- 1	CB750-1044650- *
5	17214-300-040AZ	CASE COMP., air cleaner (Candy blue green)	1 -	~1044649
	17214-300-040CM	CASE COMP., air cleaner (Candy ruby red)	1 -	-1044649
	17214-300-040CQ	CASE COMP., air cleaner (Candy gold) ...	1 -	CB750-1019210~1044649
6	17215-300-010	STAY, right air cleaner case	1 -	~1004006
	17215-300-020	STAY, right air cleaner case	1 -	CB750-1004007~1044649
	17215-300-030	STAY, right air cleaner case	- 1	CB750-1044650- *
7	17216-300-010	STAY, left air cleaner case.....	1 -	~1004006
	17216-300-020	STAY, left air cleaner case.....	1 -	CB750-1004007~1044649
	17216-300-030	STAY, left air cleaner case.....	- 1	CB750-1044650~ *
8	17217-300-320	PLATE, right air cleaner case	- 1	CB750-1044650- *
9	17218-300-320	PLATE, left air cleaner case	- 1	CB750-1044650~ *
10	17219-300-000	RUBBER, case mount	2 -	CB750-1004007~1044649
	17219-300-010	RUBBER, case mount	- 4	CB750-1044650- *
11	17220-300-000	COLLAR, case setting	4 -	CB750-1004007~1044649
	17220-300-010	COLLAR, case setting	- 6	CB750-1044650~ *
12	17221-300-000	PACKING, air cleaner case	- 1	CB750-1044650- *
13	17231-300-020AZ	COVER, air cleaner (Candy blue green) ... (Not used in France, Germany & Netherlands)	1 -	~1044649
	17231-300-020CM	COVER, air cleaner (Candy ruby red) (Not used in France, Germany & Netherlands)	1 -	-1044649
	17231-300-020CQ	COVER, air cleaner (Candy gold) (Not used in France, Germany & Netherlands)	1 -	CB750-1019210~1044649
	17231-300-030B	COVER, air cleaner (Black)	- 1	CB750-1044650~ *
14	17231-300-030AZ	COVER, air cleaner (Candy blue green) ... (Used in France, Germany & Netherlands)	1 -	CB750-1003480~1053398
	17231-300-030CM	COVER, air cleaner (Candy ruby red) (Used in France, Germany & Netherlands)	1 -	CB750-1003480~1053398
	17231-300-030CQ	COVER, air cleaner (Candy gold) (Used in France, Germany & Netherlands)	1 -	CB750-1019210~1053398
15	17253-300-330	TUBE, air cleaner connecting	4 4	

* CB750-1053399 and subsequent are available for the other markets except for U.S.A.

F-13 Air Cleaner Case · Element

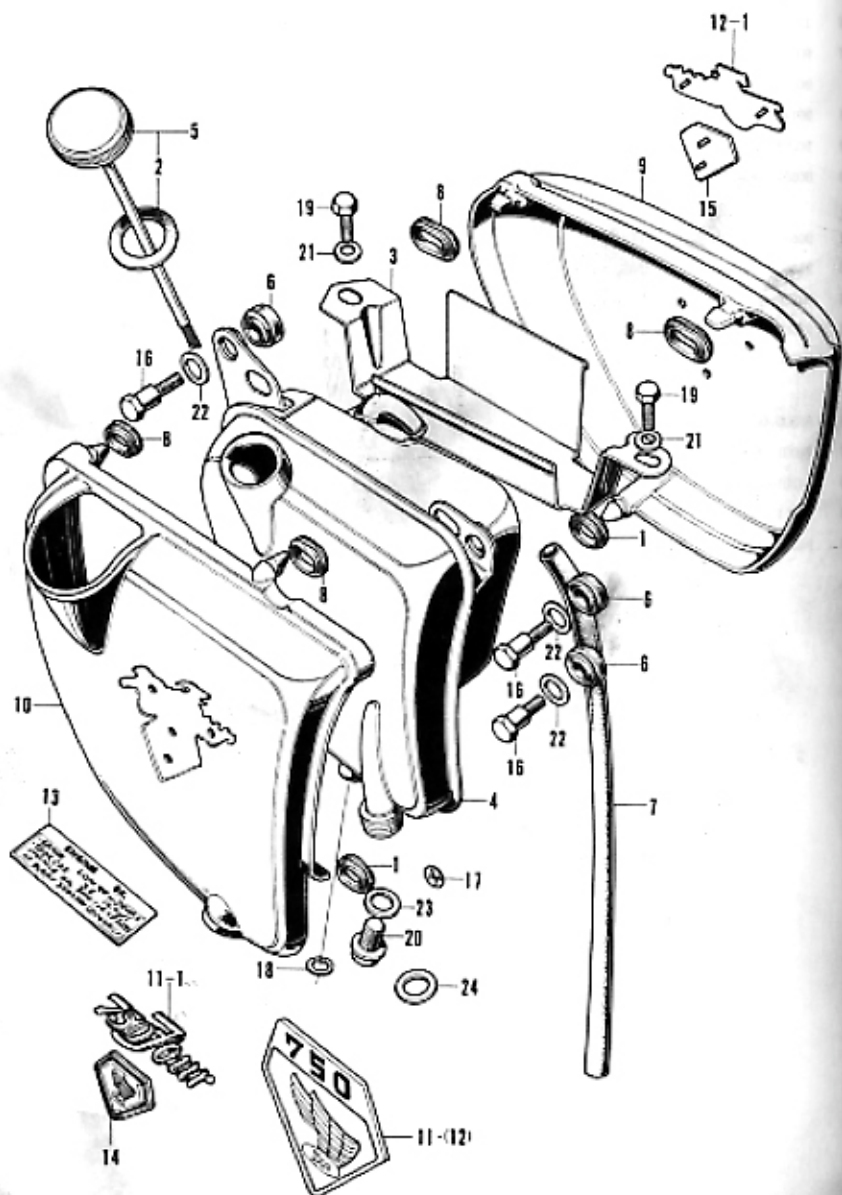


F-13 Air Cleaner Case - Element

Ref. No.	Part No.	Description	Repl. No.		Remarks
			CB 750	CB 750R1	
16	17255-230-000	BAND A, connecting tube	4	4	
17	90143-300-010	BOLT, air cleaner cover	2	-	~1030390
	90143-300-020	BOLT, air cleaner cover	2	2	CB750-1030391~
18	90144-300-020	BOLT, air cleaner case	-	2	CB750-1044650~ *
19	90301-300-000	NUT, air cleaner case	-	2	CB750-1044650~ *
20	90654-240-000	WASHER B, chain case setting	-	2	CB750-1044650~ *
21	90681-701-000	WASHER, 18 mm	2	2	
22	91301-704-000	O-RING, 6 mm	2	2	
23	92000-06012	BOLT, hex, 6x12	2	2	
24	92600-04000-0A	SCREW, pan, 4x20	4	4	
25	92600-06012	SCREW, pan, 6x12	2	-	
26	93500-06016	SCREW, pan, 6x16	4	4	CB750-1004007~
27	94001-06000	NUT, hex, 6 mm	2	2	
28	94101-06000	WASHER, plain, 6 mm	2	2	
29	94111-06000	WASHER, spring, 6 mm	2	2	
30	94201-20150	PIN, split, 2.0x15	2	2	CB750-1030391~

* CB750-1060399 and subsequent are available for the other markets except for U.S.A.

F-14 Oil Tank • Tank & Battery Cover

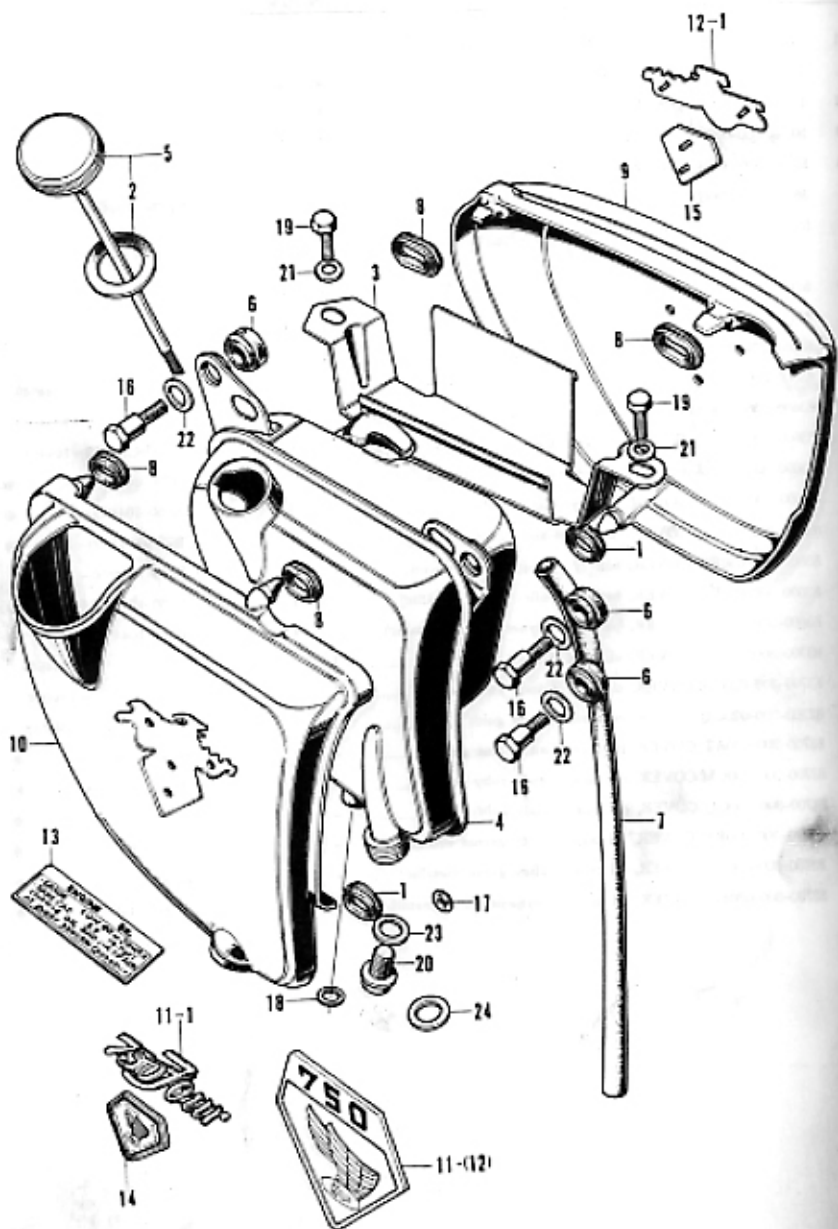


F-14 Oil Tank - Tank & Battery Cover

Ref. No.	Part No.	Description	Reqd. No.		Remarks
			CB	750 750&L1	
1	17247-240-000	(Superseded by 17247-303-000)			
	17247-303-000	GROMMET A, cleaner case	2	2	
2	17631-253-000	PACKING, fuel filter cap	1	1	
3	50341-300-010	TRAY, tool	1	1	
4	55100-300-060B	TANK COMP., oil (Black)	1	-	~1044549
	55100-300-060B	TANK COMP., oil (Black)	-	1	CB750-1044550~ *
5	55106-300-010	CAP, oil tank	1	1	
6	55106-300-000	RUBBER, oil tank	3	3	
7	55107-300-000	PIPE, oil tank breather	1	1	
8	83551-300-000	GROMMET, air cleaner	4	4	
9	83600-300-030AZ	COVER, battery (Candy blue green)	1	-	~1044549
	83600-300-030CM	COVER, battery (Candy ruby red)	1	-	~1044549
	83600-300-030CQ	COVER, battery (Candy gold)	1	-	CB750-1019210~1044549
	83600-300-030AZ	COVER, battery (Candy blue green)	-	1	CB750-1044550~ *
	83600-300-030CM	COVER, battery (Candy ruby red)	-	1	CB750-1044550~ *
	83600-300-030CQ	COVER, battery (Candy gold)	-	1	CB750-1044550~ *
	83600-300-030EE	COVER, battery (Candy garnet brown)	-	1	CB750-1044550~ *
	83600-300-030EF	COVER, battery (Valley green metallic)	-	1	CB750-1044550~ *
	83600-300-030EG	COVER, battery (Polynesian blue metallic)	-	1	CB750-1044550~ *
10	83700-300-020AZ	COVER, oil tank (Candy blue green)	1	-	~1044549
	83700-300-020CM	COVER, oil tank (Candy ruby red)	1	-	~1044549
	83700-300-020CQ	COVER, oil tank (Candy gold)	1	-	~1044549
	83700-300-030AZ	COVER, oil tank (Candy blue green)	-	1	CB750-1044550~ *
	83700-300-030CM	COVER, oil tank (Candy ruby red)	-	1	CB750-1044550~ *
	83700-300-030CQ	COVER, oil tank (Candy gold)	-	1	CB750-1044550~ *
	83700-300-030EE	COVER, oil tank (Candy garnet brown)	-	1	CB750-1044550~ *
	83700-300-030EF	COVER, oil tank (Valley green metallic)	-	1	CB750-1044550~ *
	83700-300-030EG	COVER, oil tank (Polynesian blue metallic)	-	1	CB750-1044550~ *

* CB750-10G389 and subsequent are available for the other markets except for U.S.A.

F-14 Oil Tank • Tank & Battery Cover

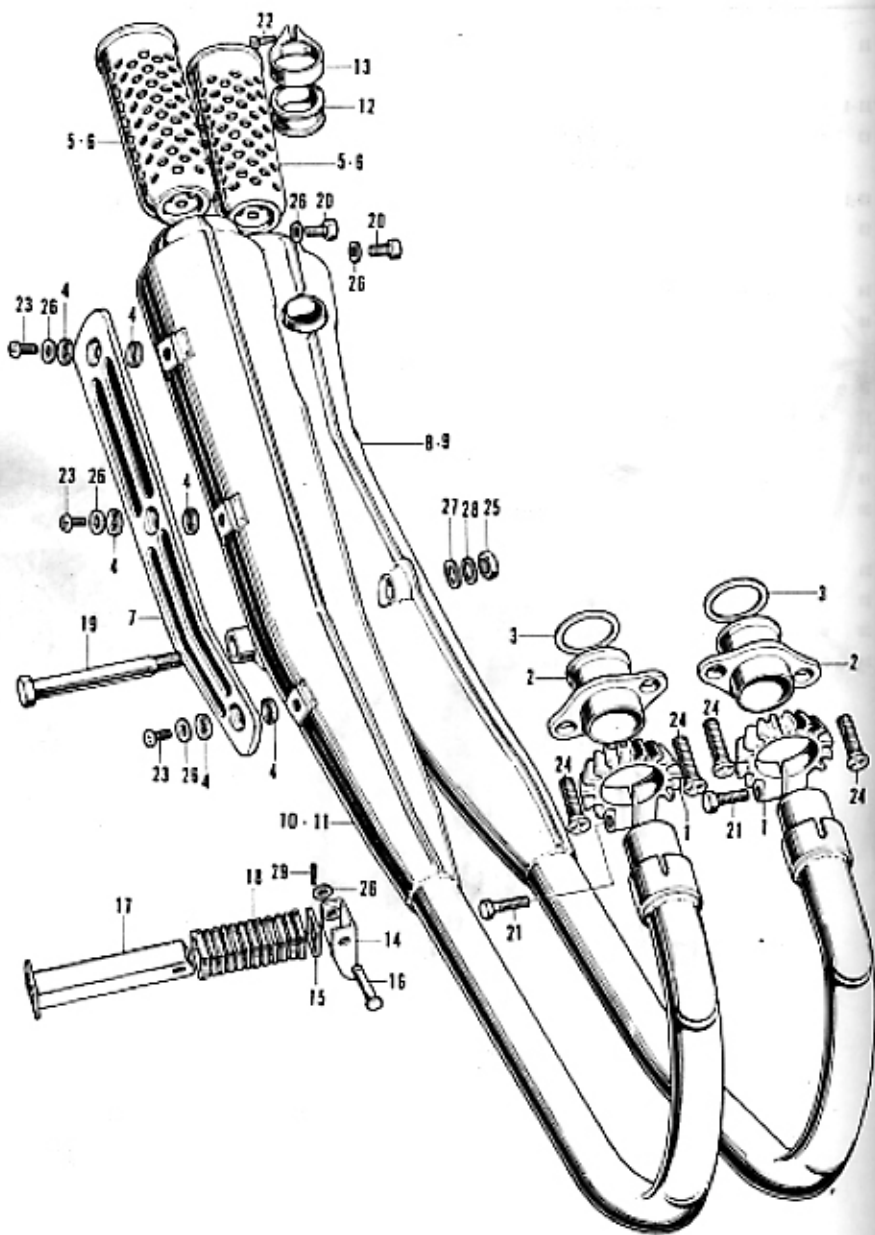


F-14 Oil Tank · Tank & Battery Cover

Ref. No.	Part No.	Description	Reqd. No.		Remarks
			CB	CB 750750K1	
11	87123-300-020B	EMBLEM, right side (Black)	1	-	CB750-1019210~1044649
	87123-300-020DM	EMBLEM, right side (Sunny gold metallic)...	1	-	~1044649
11-1	87123-300-030	EMBLEM A, oil tank cover & battery	-	2	CB750-1044650~ *
12	87124-300-020B	EMBLEM, left side (Black).....	1	-	CB750-1019210~1044649
	87124-300-020DM	EMBLEM, left side (Sunny gold metallic) ...	1	-	~1044649
12-1	87124-300-030	(Superseded by 87123-300-030)	-	1	CB750-1044650~ *
13	87125-300-000	PLATE, oil caution	1	-	~1044649
	87125-300-010	PLATE, oil caution	-	1	CB750-1044650~ *
14	87126-300-000	EMBLEM B, battery cover.....	-	1	CB750-1044650~ *
15	87127-300-000	EMBLEM B, oil tank cover	-	1	CB750-1044650~ *
16	90141-300-000	BOLT A, 6mm	3	3	
17	90313-512-000	NUT, push, 3mm	4	4	
18	90441-512-000	WASHER, sealing, 13mm	1	1	
19	92000-06012	BOLT, hex, 6 x 12	2	2	
20	92800-12000	BOLT, drain plug, 12 mm	1	1	
21	94301-06000	WASHER, plain, 6 mm.....	2	2	
22	94301-08000	WASHER, plain, 8 mm.....	3	3	
23	94309-12000	WASHER, plug, 12 mm	1	1	
24	94309-14000	WASHER, plug, 14 mm	1	1	

* CB750-1053399 and subsequent are available for the other markets except for U.S.A.

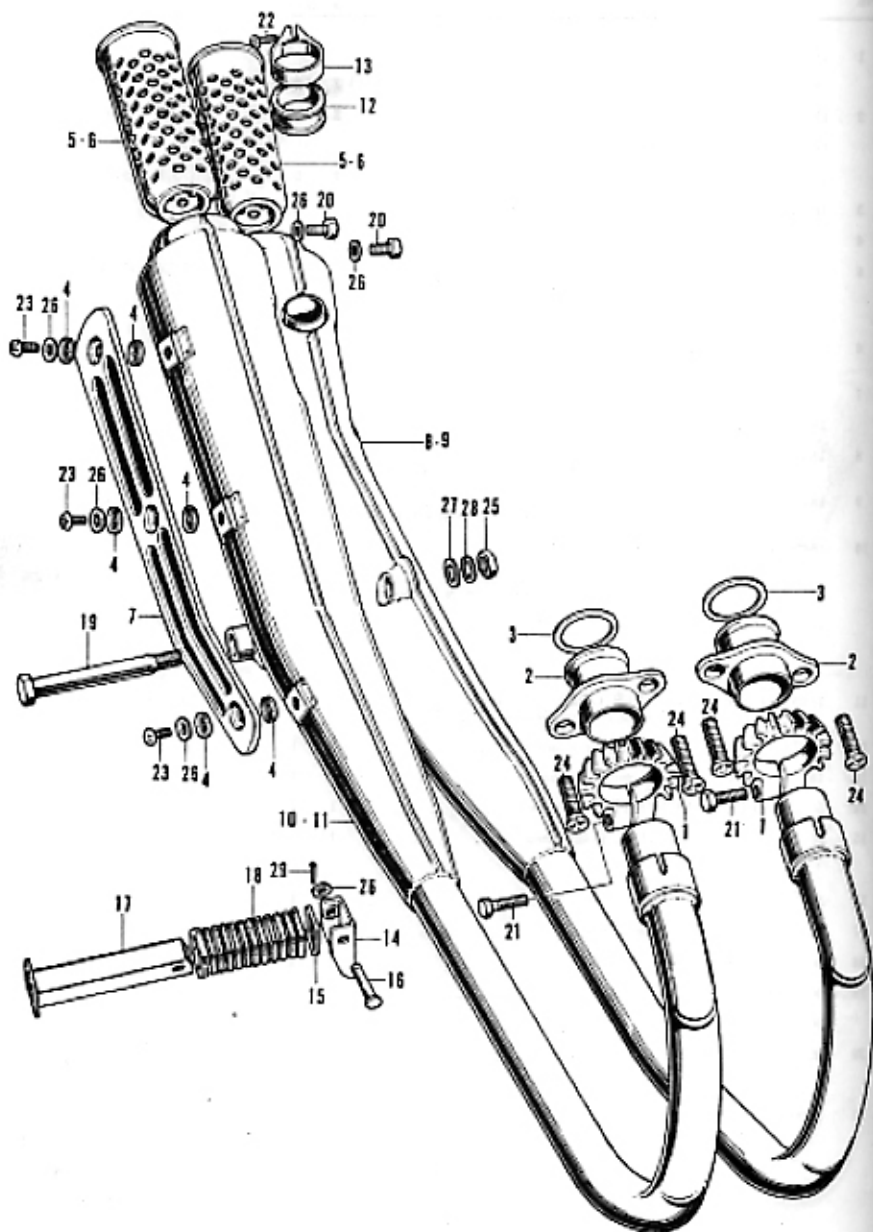
F-15 Right Side Exhaust Muffler



F-15 Right Side Exhaust Muffler

Ref. No.	Part No.	Description	Reqd. No.		Remarks
			CB	CB 750 750K1	
1	18231-300-000	(Superseded by 18231-300-010)			
	18231-300-010	JOINT, right exhaust pipe	2	2	
2	18236-300-010	FLANGE, exhaust	2	-	CB750E-1000001~1005143
	18236-300-030	(Superseded by 18236-300-000)			
	18236-300-000	FLANGE, exhaust	2	2	CB750E-1005144~
3	18291-254-000	GASKET, exhaust pipe	2	2	
4	18292-290-000	PACKING, protector	6	6	
5	18311-300-320	DIFFUSER, exhaust	2	2	CB750-10041@~
		(Not used in France, Germany & Netherlands)			
6	18311-300-630	DIFFUSER, exhaust	2	2	
		(Not used in France, Germany & Netherlands)			
7	18315-300-010	PROTECTOR, muffler	1	-	~1044649
	18315-300-020	PROTECTOR, muffler	-	1	CB750-1044650~
8	18400-300-030	MUFFLER COMP. III, exhaust	1	1	
		(Not used in France, Germany & Netherlands)			
9	18400-300-620	MUFFLER COMP. III, exhaust	1	1	CB750-1003480~
		(Used in France, Germany & Netherlands)			
10	18450-300-030	(Superseded by 18450-300-345)			
	18450-300-345	MUFFLER-SET IV, exhaust	1	-	~1001221
		(Not used in France, Germany & Netherlands)			
	18450-300-640	MUFFLER COMP. IV, exhaust	1	1	CB750-1001222~
		(Not used in France, Germany & Netherlands)			
11	18450-300-620	MUFFLER COMP. IV, exhaust	1	1	CB750-1003480~
		(Used in France, Germany & Netherlands)			
12	18472-300-000	TUBE, muffler connecting	1	1	
13	18473-300-000	BAND, muffler connecting	1	1	
14	50711-300-010	BRACKET, pillion step	1	1	
15	50712-024-000	WASHER, pillion step	1	1	
16	50714-300-000	PIN, pillion step	1	1	
17	50715-283-000	BAR, pillion step	1	1	
18	50731-024-000	RUBBER, pillion step	1	1	
19	90145-300-010	BOLT, pillion step	1	-	~1001223
	90145-300-020	BOLT, pillion step	1	1	CB750-1001222~
20	92000-06012	BOLT, hex., 6x12	2	2	
21	90300-08032-0A	BOLT, hex., 8x32	2	2	

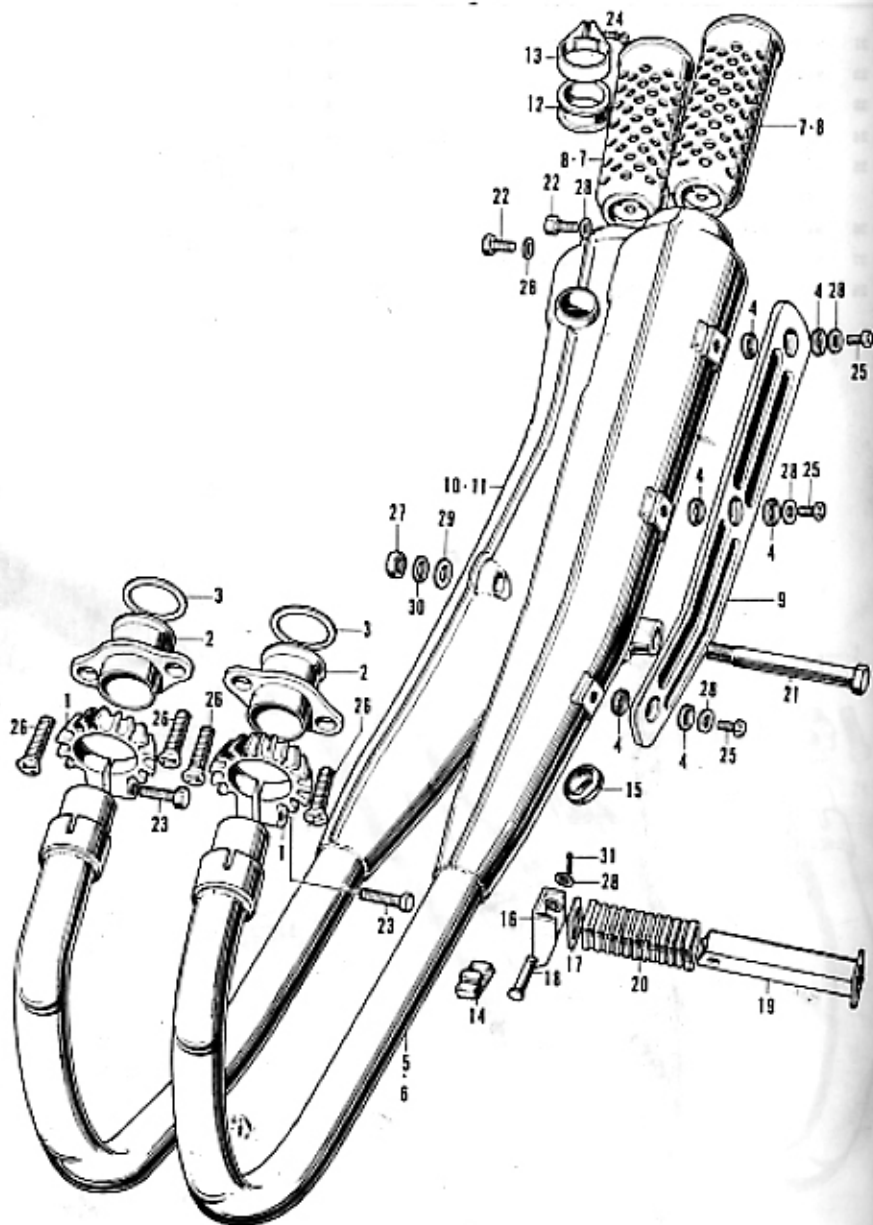
F-15 Right Side Exhaust Muffler



F-15 Right Side Exhaust Muffler

Ref. No.	Part No.	Description	Req'd. No.		Remarks
			CB	750 750CL	
21	90600-06016-0A	SCREW, pan, 5x16	1	1	
22	90600-06012-49	SCREW, pan, 6x12	3	3	
23	90600-08022	SCREW, flat, 8x22	4	4	
24	94030-12000	NUT, hex., 12 mm	1	1	
25	94101-06000	WASHER, plain, 6 mm.....	6	6	
26	94101-12000	WASHER, plain, 12 mm	1	1	
27	94111-12000	WASHER, spring, 12 mm	1	1	
28	94201-16150	PIN, split, 1.6x15	1	1	

F-16 Left Side Exhaust Muffler

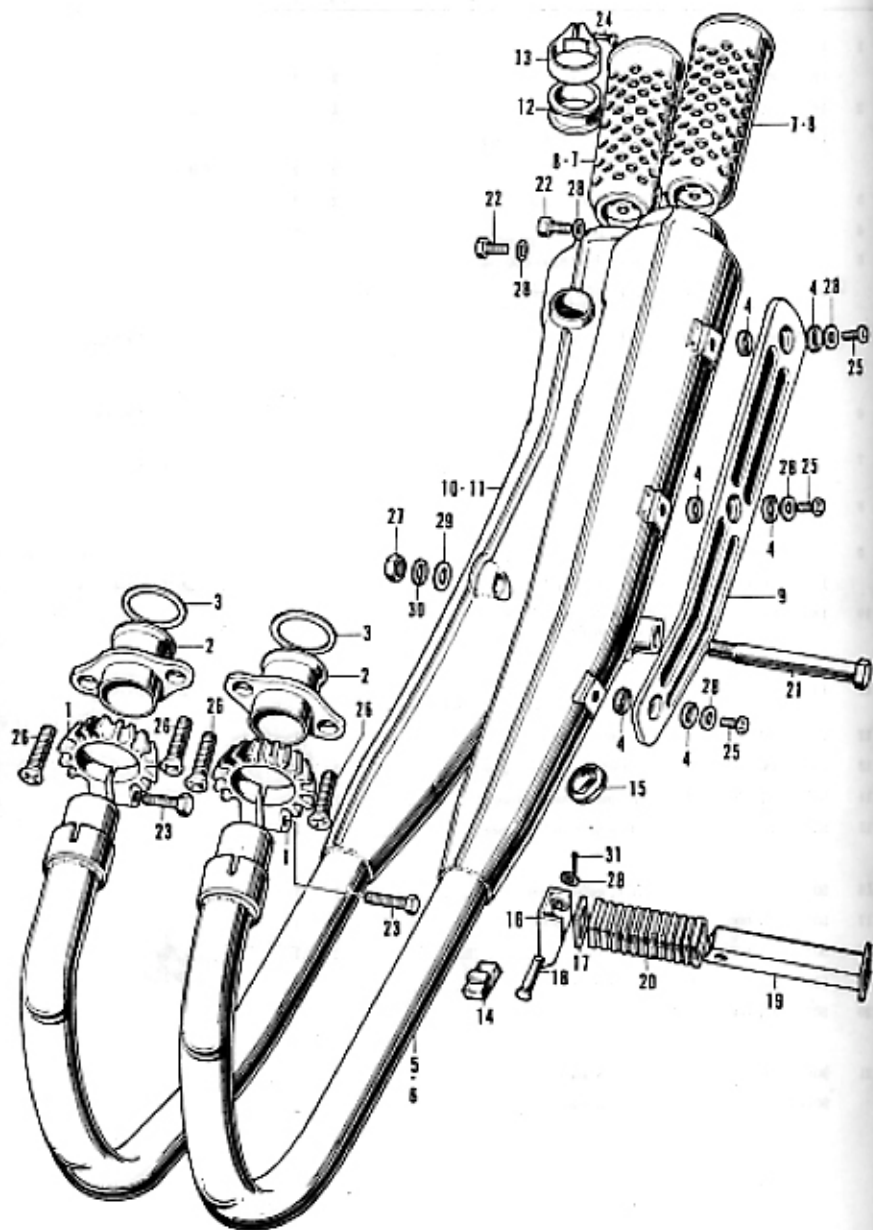


F-16 Left Side Exhaust Muffler

Ref. No.	Part No.	Description	Reqd. No. CB CB 750 750FJ	Remarks
1	18232-300-000	(Superseded by 18232-300-010)		
	18232-300-010	JOINT, left exhaust pipe	2 2	
2	18236-300-010	FLANGE, exhaust	2 -	CB750E-1000001~1026143
	18236-300-020	(Superseded by 18236-300-030)		
	18236-300-030	FLANGE, exhaust	2 2	CB750E-1026144~
3	18291-254-000	GASKET, exhaust pipe	2 2	
4	18292-290-000	PACKING, protector	6 6	
5	18300-300-030	(Superseded by 18300-300-345)		
	18300-300-345	MUFFLER SET I, exhaust	1 -	~1001221
		(Not used in France, Germany & Netherlands)		
	18300-300-040	MUFFLER COMP. I, exhaust	1 1	CB750-1001222~
		(Not used in France, Germany & Netherlands)		
6	18300-300-620	MUFFLER COMP. I, exhaust	1 1	CB750-1003480~
		(Used in France, Germany & Netherlands)		
7	18311-300-320	DIFFUSER, exhaust	2 2	CB750-1004149~
		(Not used in France, Germany & Netherlands)		
8	18311-300-620	DIFFUSER, exhaust	2 2	
		(Used in France, Germany & Netherlands)		
9	18315-300-010	PROTECTOR, muffler	1 -	-1044649
	18315-300-020	PROTECTOR, muffler	- 1	CB750-1044650~
10	18350-300-030	MUFFLER COMP. II, exhaust	1 1	
		(Not used in France, Germany & Netherlands)		
11	18350-300-620	MUFFLER COMP. II, exhaust	1 1	CB750-1003480~
		(Used in France, Germany & Netherlands)		
12	18472-300-000	TUBE, muffler connecting	1 1	
13	18473-300-000	BAND, muffler connecting pipe	1 1	
14	50524-001-000	RUBBER, main stand stopper	1 1	
15	50543-253-000	RUBBER, side stand stopper	1 1	
16	50711-300-010	BRACKET, pillion step	1 1	
17	50712-024-000	WASHER, pillion step	1 1	
18	50714-300-000	PIN, pillion step	1 1	
19	50715-283-000	BAR, pillion step	1 1	
20	50731-024-000	RUBBER, pillion step	1 1	
21	90146-300-010	BOLT, pillion step	1 -	~1001221
	90146-300-020	BOLT, pillion step	1 1	CB750-1001222~



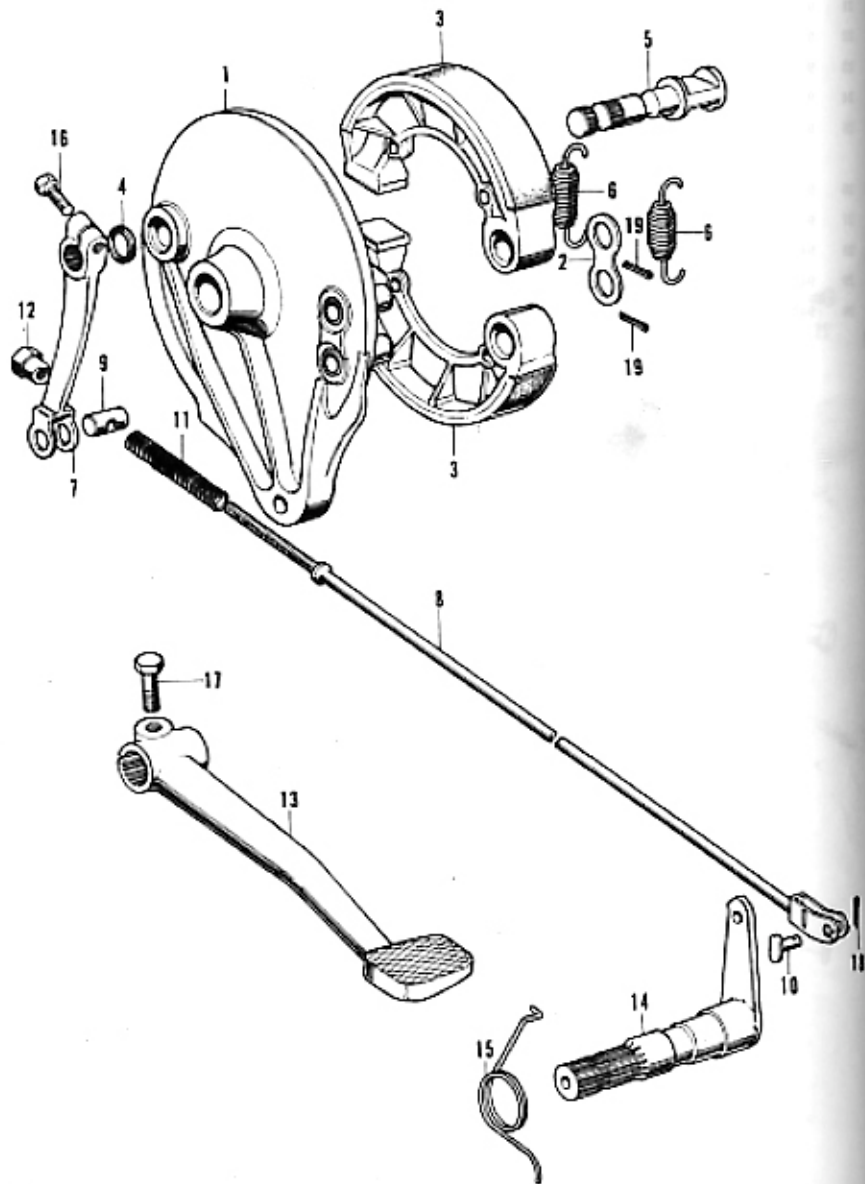
F-16 Left Side Exhaust Muffler



F-16 Left Side Exhaust Muffler

Etl. No.	Part No.	Description	Reqd. No.		Remarks
			CB	CB	
			750	750K1	
21	93000-06012	BOLT, hex., 6×12	2	2	
22	93000-08003-0A	BOLT, hex., 8×32	2	2	
23	93500-05016-0A	SCREW, pan., 6×16	1	1	
24	93500-06012-49	SCREW, pan., 6×12	3	3	
25	93600-08022	SCREW, flat, 8×22	4	4	
26	94030-12000	NUT, hex., 12 mm	1	1	
27	94101-06000	WASHER, plain, 6 mm	6	6	
28	94101-12000	WASHER, plain, 12 mm	1	1	
29	94111-12000	WASHER, spring, 12 mm	1	1	
30	94201-16150	PIN, split, 1.6×15	1	1	

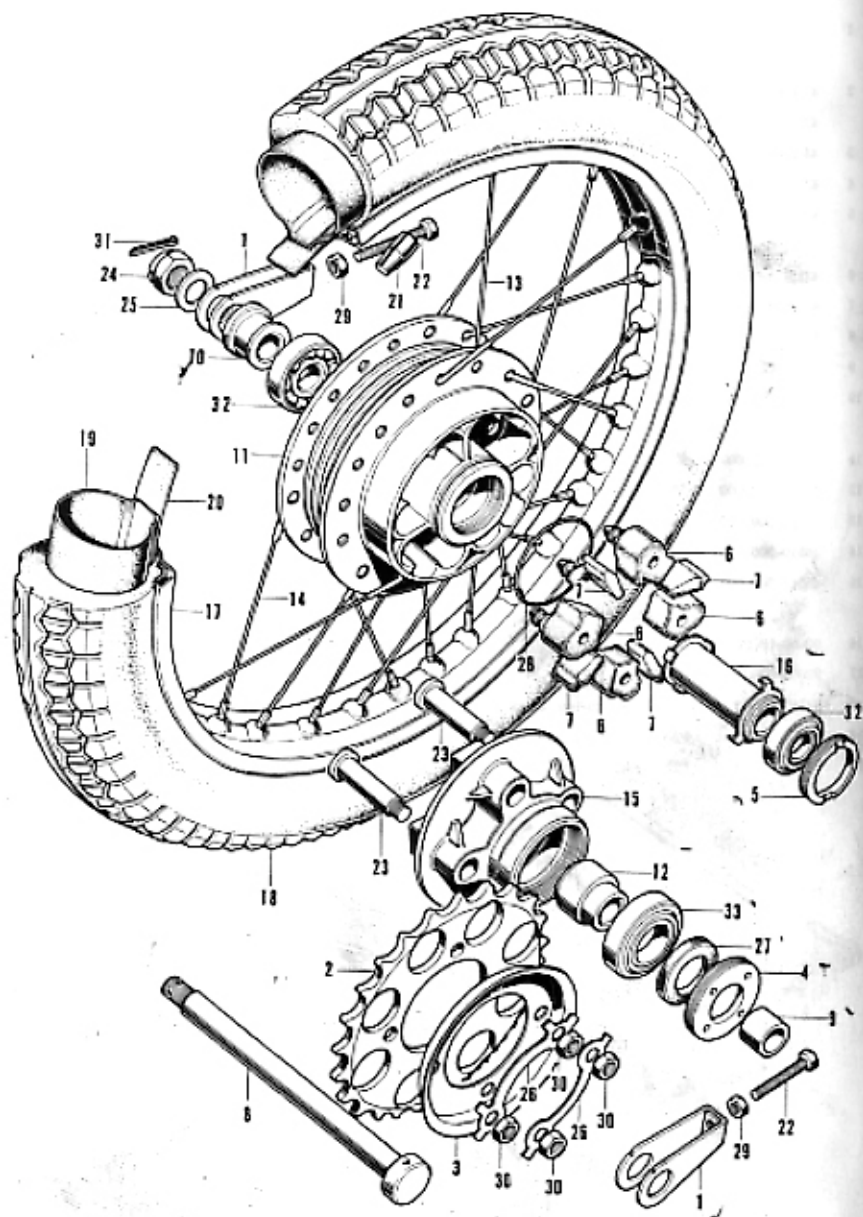
F-17 Rear Brake Pedal - Panel



F-17 Rear Brake Pedal - Panel

Ref. No.	Part No.	Description	Repl. No.		Remarks
			CB	CB 750750K1	
1	4100-300-000	PANEL, rear brake	1	-	-1026020
	4100-300-000	PANEL, rear brake	1	1	CB750-1026021~
2	4106-222-300	WASHER, rear brake anchor pin.....	1	-	-1026020
	4102-319-000	WASHER, rear brake anchor pin.....	1	1	CB750-1026021~
3	4120-300-010	SHOE COMP., rear brake	2	2	
4	4134-300-000	DUST-SEAL, brake cover	1	1	
5	4141-300-010	CAM, rear brake	1	1	
6	4151-281-000	SPRING, brake shoe.....	2	2	
7	4160-300-000	ARM, rear brake	1	1	
8	4345-300-010	ROD COMP., rear brake.....	1	1	
9	4345-250-000	JOINT, rear brake arm	1	1	
10	4371-292-010	PIN, brake rod joint	1	1	
11	4372-212-000	SPRING, rear brake rod	1	1	
12	4346-250-000	NUT, rear brake adjusting	1	1	
13	4650-300-010	PEDAL, rear brake	1	1	
14	46510-300-010	SPINDLE COMP., rear brake	1	1	
15	46514-300-000	SPRING, brake pedal	1	1	
16	9200-08022-0A	BOLT, hex, 8×22	1	1	
17	9200-08028-0A	BOLT, hex, 8×28	1	1	
18	94111-08000	WASHER, spring, 8 mm	1	1	
19	94201-16150	PIN, split, 1.6×15	1	1	
20	94201-25200	PIN, split, 2.5×20	2	2	

F-18 Rear Wheel - Driven Sprocket

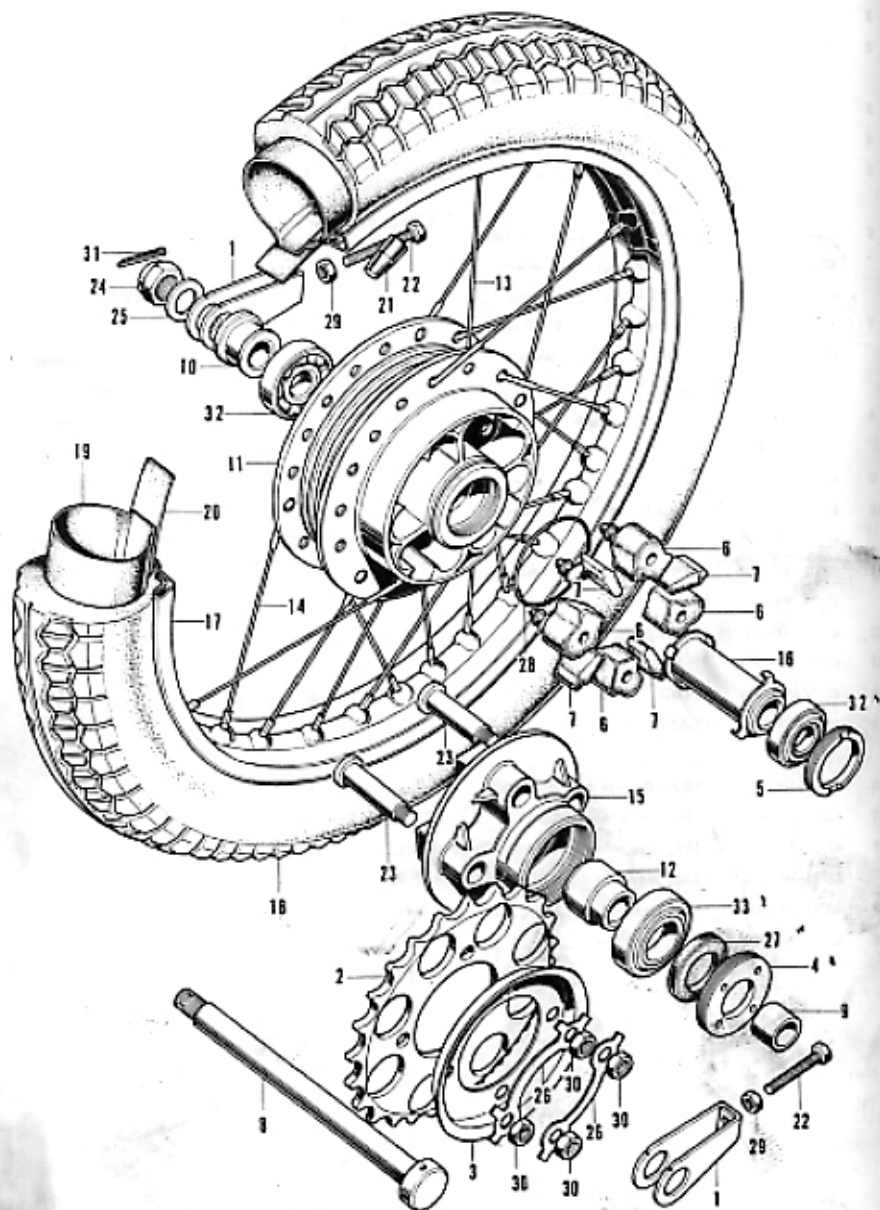


F-18 Rear Wheel - Driven Sprocket

Ref. No.	Part No.	Description	Reqd. No.		Remarks
			CB	750/750R/1	
1	40543-300-000	ADJUSTER, chain	2	2	
2	41205-300-000	SPROCKET, final driven (45T).....	1	-	~1044649
	41201-300-870	SPROCKET, final driven (48T).....	-	1	CB750-1044650~
3	41211-300-000	PLATE, sprocket side	1	1	CB750-1025845~
4	41231-283-000	RETAINER, rear wheel	1	1	
5	41231-300-020	RETAINER, rear wheel	1	1	
6	41241-300-000	(Superseded by 41241-300-030)			
	41241-300-030	DAMPER, right rear wheel	4	-	~1044649
	41241-300-040	DAMPER, right rear wheel	-	4	CB750-1044650~
7	41242-300-000	(Superseded by 41242-300-010)			
	41242-300-010	DAMPER, left rear wheel	4	-	~1044649
	41242-300-020	DAMPER, left rear wheel	-	4	CB750-1044650~
8	42301-300-000	AXLE, rear wheel	1	-	~1044649
	42301-300-010	AXLE, rear wheel	-	1	CB750-1044650~
9	42311-300-010	COLLAR, rear wheel side	1	1	
10	42313-300-020	COLLAR, rear brake panel side	1	1	
11	42601-300-020	HUB COMP., rear wheel	1	1	~1073285
	42601-300-030	HUB COMP., rear wheel	1	1	CB750-1073286~
12	42605-300-000	SLEEVE, rear axle	1	1	
13	42606-300-003	SPOKE A, rear (DAIDO)	20	20	
14	42607-300-003	SPOKE B, rear (DAIDO)	20	20	
15	42610-300-030	FLANGE, final drive.....	1	1	
16	42703-300-010	COLLAR, rear axle distance	1	1	
17	42701-300-013	RIM, rear wheel (DAIDO)	1	1	
18	42711-300-003	TIRE, rear wheel (B.S. MC 400-18 4P.R.)...	1	1	
	42711-300-004	TIRE, rear wheel (DUNLOP S4.00-15 4P.R.)	1	1	
19	42712-300-000	TUBE, rear wheel	1	1	
20	42713-300-000	FLAP, rear tire	1	1	



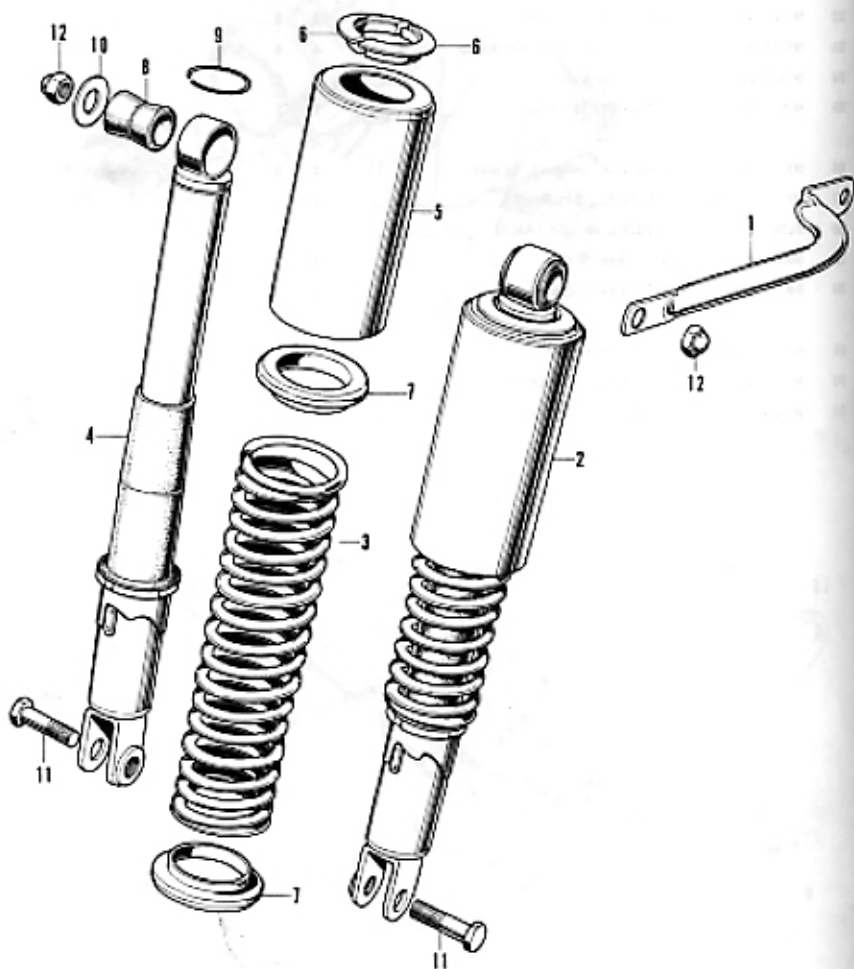
F-18 Rear Wheel • Driven Sprocket



F-18 Rear Wheel - Driven Sprocket

Ref. No.	Part No.	Description	Reqd. No.		Remarks
			CB	CB 750 750K1	
21	44906-283-000	BALANCER, wheel (20g)	(0-2)		
	44907-283-000	BALANCER, wheel (15g)	(0-2)		
	44908-283-000	BALANCER, wheel (10g)	(0-2)		
	44909-283-000	BALANCER, wheel (5g)	(0-2)		
22	90119-300-000	BOLT, chain adjusting	2	2	
23	90118-300-000	BOLT, driven sprocket fixing	4	4	
24	90306-268-000	NUT, rear axle	1	1	
25	90523-292-000	WASHER, 18.5 x 34	1	1	
26	90523-300-000	WASHER, tongued, 12 mm	2	2	
27	90753-283-000	OIL-SEAL, 34x56x9	1	1	
28	91258-300-013	D-RING, 68x2.6 (ARAI)	1	1	
29	94002-08009-0S	NUT, hex., 8 mm	2	2	
30	94030-12000	NUT, hex., 12 mm	4	4	
31	94201-40000	PIN, split, 4.0 x 30	1	1	
32	96120-63040	BEARING, ball, 6304	2	2	
33	96120-63050	BEARING, ball, 6305	1	1	

F-19 Rear Cushion

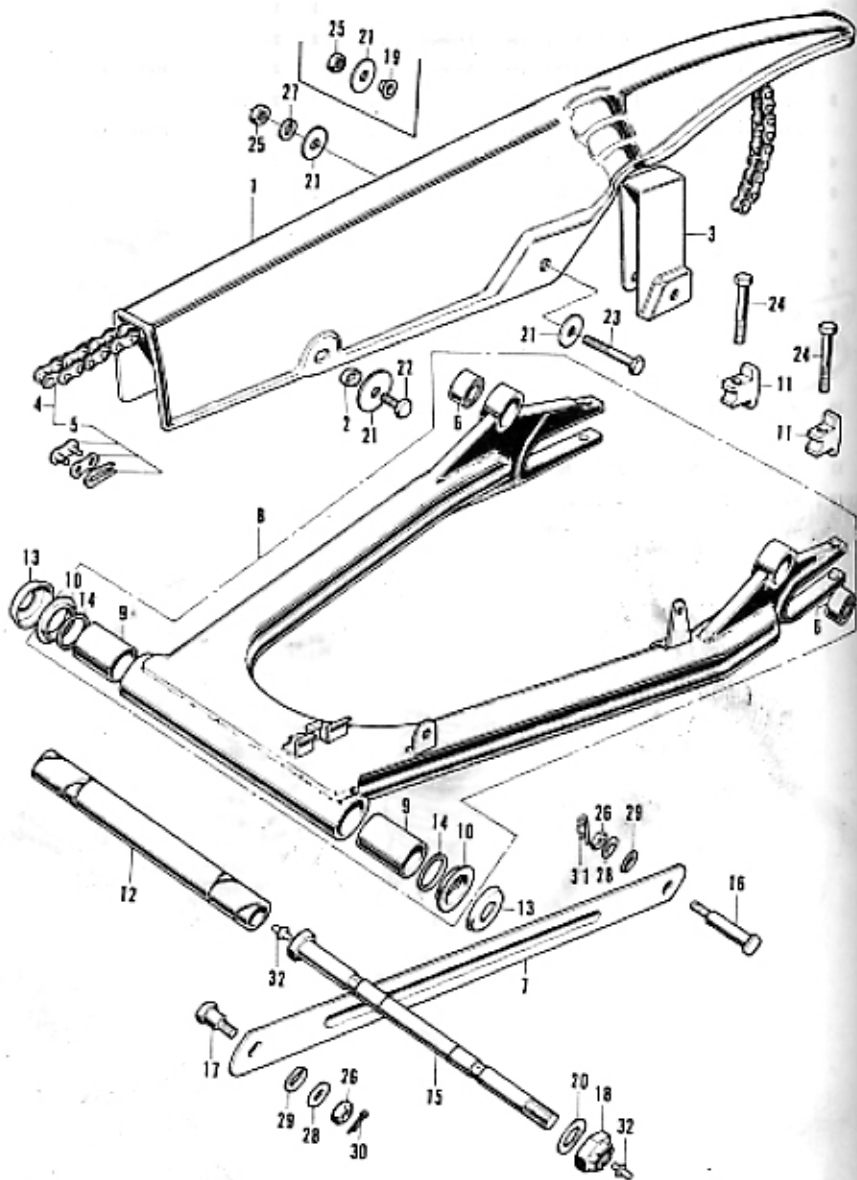


F-19 Rear Cushion

Ref. No.	Part No.	Description	Reqd. No.		Remarks
			CB	CB 750750K1	
1	50316-300-000	GRIP, side	1	1	
2	52400-300-010XW	CUSHION ASSY., rear (Chrome)	2	2	~1048751
	52400-300-020XW	CUSHION ASSY., rear (Chrome)	-	2	CB750-1048752~
3	52401-300-010	SPRING, rear cushion	2	2	~1048751
	52401-300-020	SPRING, rear cushion	-	2	CB750-1048752~
4	52410-300-010	DAMPER ASSY., rear	2	2	
5	52421-300-000XW	CASE, rear cushion upper (Chrome)	2	2	
6	52424-292-000	STOPPER, spring seat	4	4	
7	52429-312-003	SEAT, rear cushion spring	-	4	CB750-1048752~
8	52444-292-000	RUBBER, joint	2	2	
9	52445-300-000	(Superseded by 52446-074-003)			
	52446-074-003	STOPPER	2	2	
10	90621-292-000	WASHER, 10.3 mm	1	1	
11	90300-10032-0B	BOLT, hex., 10x32	2	2	
12	94022-10000	NUT, hex, cap, 10 mm	2	2	



Rear Fork - Chain Case

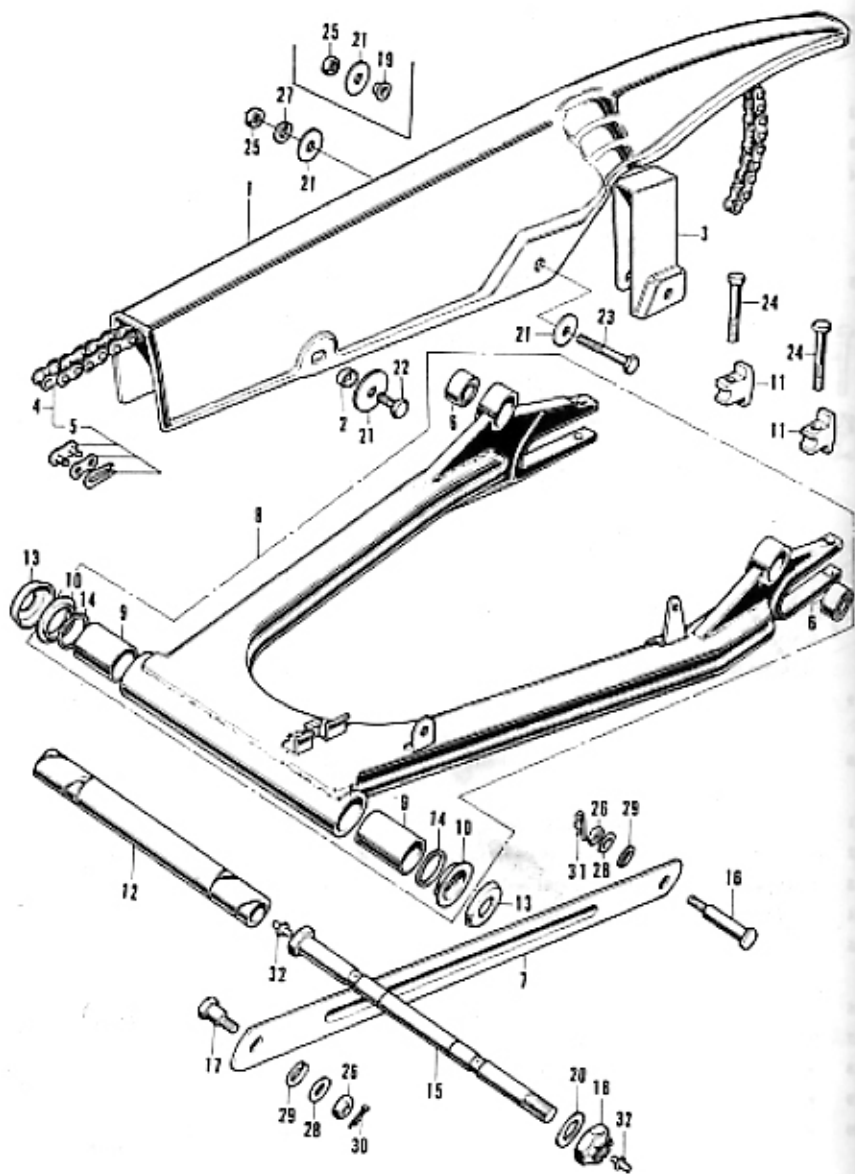


F-20 Rear Fork · Chain Case

Ref. No.	Part No.	Description	Reqd. No.		Remarks
			CH	CB	
			750	750K1	
1	40510-300-090B	CASE, drive chain (Black)	1	-	~1021879
	40510-300-050D	CASE, drive chain (Black)	1	-	CB750-1021880~1044649
	40510-300-060B	CASE, drive chain (Black)	-	1	CB750-1044650~
2	40511-300-000	COLLAR, chain case.....	1	1	
3	40512-300-000	PLATE, drive chain case.....	1	1	CB750-1025845~
4	40530-300-003	CHAIN, drive (DID 50HD-90L Joint type)...	1	-	~1044649
	40530-300-503	CHAIN, drive (CID 50HD-100S Staking type)	-	1	CB750-1044650~
	40530-300-810	CHAIN, drive (DID 50HD-100L Joint type optional parts)	-	(1)	CB750-1044650~
5	40531-300-003	JOINT, drive chain (DID 50HD Joint type)	1	-	~1044649
	40531-300-750	JOINT, drive chain (DID 50HD Staking type)	-	(2)	CB750-1044650~
	40531-300-751	JOINT, drive chain (DID 50HDS Staking type)	-	1	CB750-1070649~
✓	40531-300-305	JOINT, drive chain (DAIDO) (Are available for WHITNEY DRIVE CHAIN only)	1	-	~1044649
	40531-300-315	JOINT, drive chain (DAIDO) (Are available for WHITNEY DRIVE CHAIN only)	-	1	CB750-1044650~
6	40545-258-000	BUSH, rear cushion under rubber	2	2	
7	43431-286-010	ARM, rear brake stopper	1	1	
8	52100-300-030B	FORK COMP., rear (Black)	1	-	~1026844
	52100-300-040B	FORK COMP., rear (Black)	1	-	CB750-1025845~1044649
	52100-300-050B	FORK COMP., rear (Black)	-	1	CB750-1044650~
9	52108-282-300	BUSH, rear fork pivot	2	-	~1026642
	52108-300-300	BUSH, rear fork pivot	2	2	CB750-1026643~
10	52109-283-300	BUSH, rear fork pivot thrust.....	2	2	
11	52136-300-000	STOPPER, chain adjuster	2	2	
12	52141-300-000	COLLAR, rear fork center	1	1	
13	52144-283-010	CAP, rear fork dust seal.....	2	2	
14	52145-283-000	RING, rear fork felt	2	2	
15	90121-300-000	BOLT, fork pivot	1	1	
16	90127-283-000	BOLT, rear brake panel stopper	1	1	
17	90133-286-000	BOLT, rear brake stopper arm	1	1	
18	90354-268-000	NUT, self lock, 14mm	1	1	
19	90512-300-000	WASHER, 6 x 20.....	2	2	
20	90526-268-000	WASHER, rear fork pivot bolt.....	2	2	



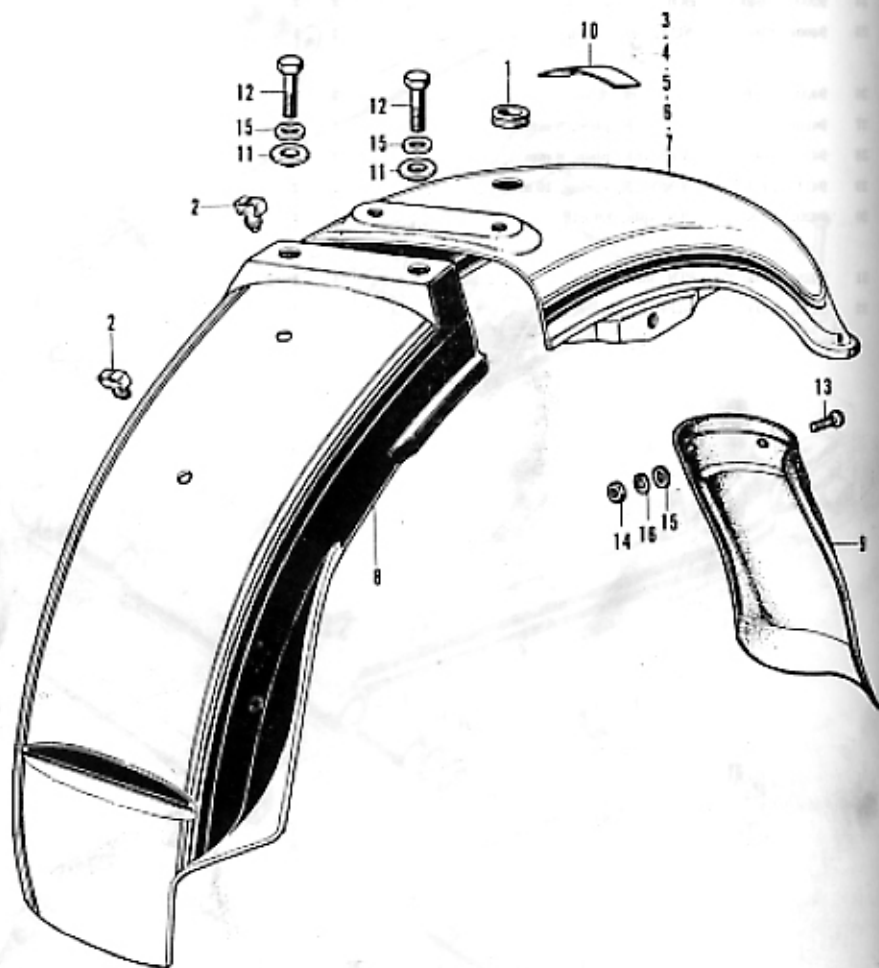
F-20 Rear Fork - Chain Case



F-20 Rear Fork - Chain Case

Ref. No.	Part No.	Description	Reqd. No.		Remarks
			CB	CB 750 750K1	
21	90581-701-000	WASHER, 18 mm	3	3	
22	92000-00012	BOLT, hex., 6x12	1	1	
23	92000-06071	BOLT, hex., 6x71	1	1	
24	92000-08040-0A	BOLT, hex., 8x40	2	2	
25	94001-06000	NUT, hex., 6 mm	1	1	
26	94001-08000-0S	NUT, hex., 8 mm	2	2	
27	94101-06000	WASHER, plain, 6 mm	1	1	
28	94101-08000	WASHER, plain, 8 mm	2	2	
29	94111-10000	WASHER, spring, 10 mm	2	2	
30	94201-20180	PIN, spld., 2.0x18	1	1	
31	94251-08000	PIN, lock, 8 mm	1	1	
32	96201-30000	NIPPLE, grease, A-45	2	2	

F-21 Rear Fender

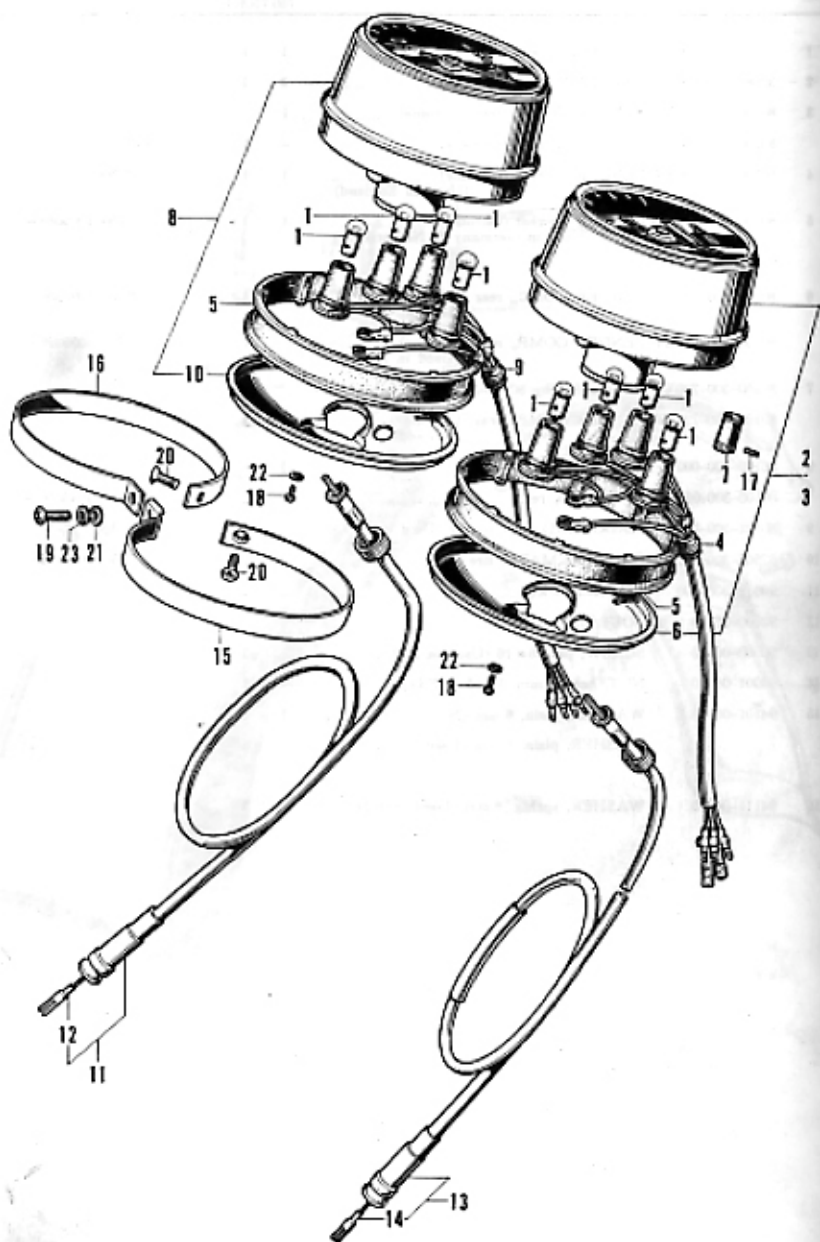


F-21 Rear Fender

Ref. No.	Part No.	Description	Regd. No.		Remarks
			CB	CB	
1	3283-011-000	GROMMET, wire cord	1	1	
2	3285-292-000	GROMMET, wire cord	2	2	
3	80100-300-020XW	FENDER COMP., rear (Chrome).....	1	-	- 1044549
	80100-300-030XW	FENDER A, rear (Chrome)	-	1	CB750-1044650~ *
4	80100-300-600XW	FENDER A, rear (Chrome)	1	1	CB750-1010399~
		(Used in England)			
5	80100-300-610XW	FENDER A, rear (Chrome)	1	1	CB750-1005084~
		(Used in Germany & Netherlands)			
6	80100-300-620XW	FENDER COMP., rear (Chrome).....	1	1	CB750-1003480-1053398
		(Used in France)			
	80100-300-621XW	FENDER COMP., rear (Chrome).....	-	1	CB750-1053399~
		(Used in France)			
7	80100-300-730XW	(Superseded by 80100-300-731XW)			
	80100-300-731XW	FENDER COMP., rear (Chrome).....	-	1	
		(Used in E.D.)			
8	80105-300-000	FENDER B, rear	1	-	- 1044549
	80105-300-010	FENDER B, rear	-	1	CB750-1044650~ *
9	80121-300-730	MADGUARD, rear fender (Used in E.D.)...	-	1	
10	87505-300-670	CAUTION MARK, tire	1	1	CB750-1013499~
11	90512-300-000	WASHER, 6x20.....	2	2	
12	92000-06028	BOLT, hex., 6x28.....	2	2	
13	93500-06016-49	SCREW, pan, 6x16 (Used in E.D.).....	-	3	
14	94001-06000	NUT, hex., 6 mm (Used in E.D.)	-	3	
15	94001-06000	WASHER, plain, 6 mm (Not used in E.D.)...	2	2	
		WASHER, plain, 6 mm (Used in E.D.)	-	5	
16	94111-06000	WASHER, spring, 6 mm (Used in E.D.) ...	-	3	

* CB750-1053399 and subsequent are available for the other markets except for U.S.A.

F-22 Speedometer - Tachometer

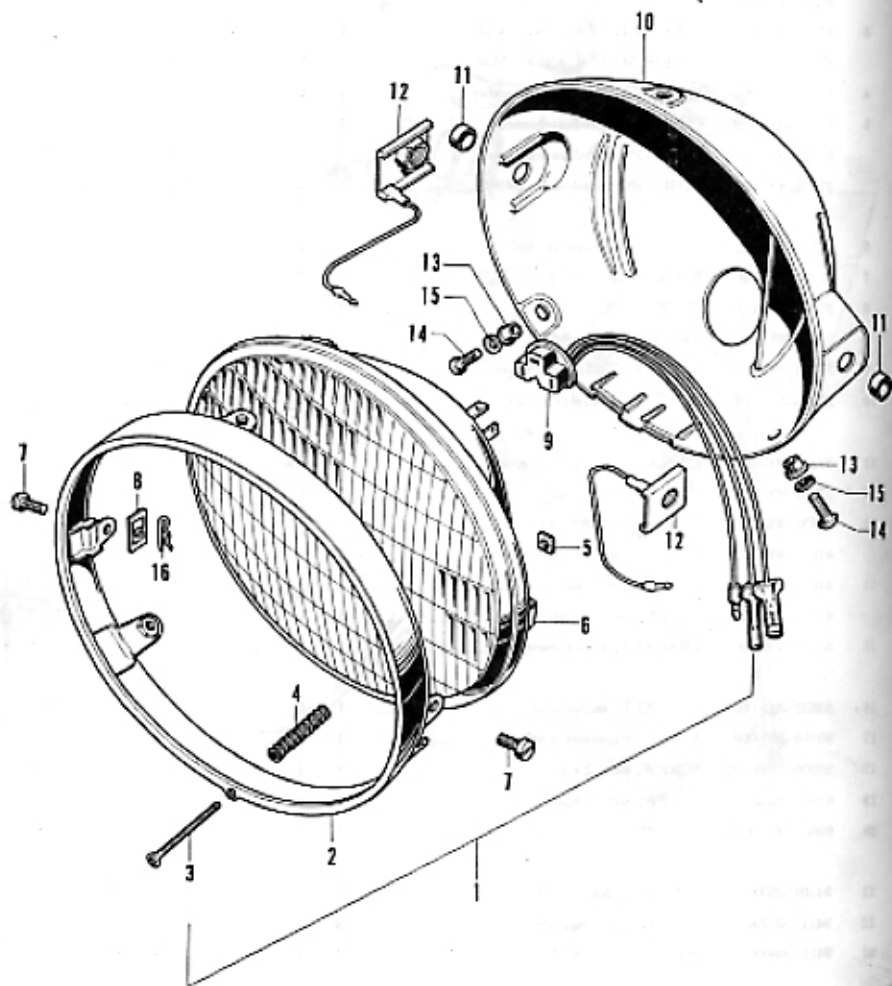


F-22 Speedometer - Tachometer

Ref. No.	Part No.	Description	Reqd. No.		Remarks
			CB	CB 750753K1	
1	34902-250-000	BULB, dash (12V 3W)	8	8	
2	37230-300-621	SPEEDOMETER ASSY, (KM)	1	-	~1044649
	37230-300-622	SPEEDOMETER ASSY, (KM)	-	1	CB750-1044650~
3	37230-300-671	SPEEDOMETER ASSY, (Mile).....	1	-	~1044649
	37230-300-672	SPEEDOMETER ASSY, (Mile).....	-	1	CB750-1044650~
4	37234-300-009	SOCKET COMP., speedometer	1	1	
5	37235-300-009	CUSHION, speedotachometer.....	2	-	~1003433
	37235-300-010	CUSHION, speedotachometer.....	2	-	CB750-1003434~1044649
	37235-300-029	CUSHION, speedotachometer.....	-	2	CB750-1044650~
6	37236-300-009	PLATE, speedometer under	1	1	
7	37237-300-000	KNOB, tripmeter	1	1	
8	37240-300-019	TACHOMETER ASSY.	1	-	~1044649
	37240-300-020	TACHOMETER ASSY.	-	1	CB750-1044650~ L
9	37244-300-009	SOCKET COMP., tachometer	1	1	
10	37246-300-009	PLATE, tachometer under	1	1	
11	37295-300-000	CABLE ASSY., tachometer.....	1	1	
12	37291-300-000	CABLE, inner	1	1	
13	44830-300-010	Changing to 44830-300-672			
	44830-300-672	CABLE ASSY., speedometer	1	1	
14	44831-300-000	(Changing to 44831-300-672)			
	44831-300-672	INNER, speedometer cable	1	1	
15	51231-300-000	BRACKET, speedometer	1	1	
16	51232-300-000	BRACKET, tachometer.....	1	1	
17	90168-300-000	SCREW, tripmeter knob	1	1	
18	93500-00005-0B	SCREW, pan, 3x5.....	4	4	
19	93500-05020-4J	SCREW, pan, 5x20	1	1	
20	93600-05014-0B	SCREW, flat, 5x14	2	2	
21	94101-05000	WASHER, plain, 5 mm.....	1	1	
22	94111-03100	WASHER, spring, 3 mm	4	4	
23	94111-05000	WASHER, spring, 5 mm	1	1	



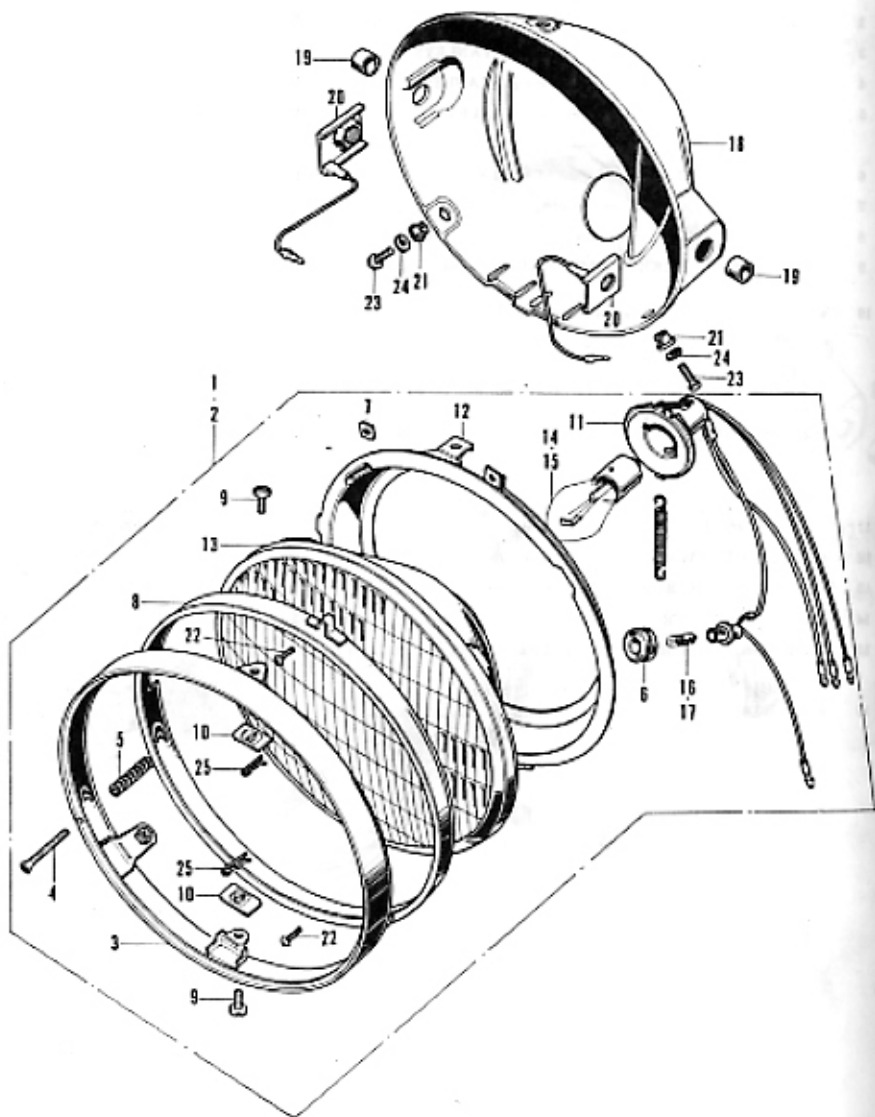
F-23 Head Light
(Used in Australia & General export)



F-23 Head Light
(Used in Australia & General export)

Ref. No.	Part No.	Description	Reqd. No. CB CB 750 750R1	Remarks
1	33100-300-043	LIGHT ASSY., head (STANLEY)	- 1	CB750-1063399~
2	33101-300-043	RIM, head light (STANLEY).....	- 1	CB750-1063399~
2	33103-300-003	SCREW, beam adjusting (STANLEY).....	- 1	CB750-1063399~
4	33107-300-003	SPRING, beam adjusting (STANLEY)	- 1	CB750-1063399~
5	33117-292-003	NUT, beam adjusting (STANLEY)	- 1	CB750-1063399~
6	33125-300-013	UNIT, head light (STANLEY)	- 1	CB750-1063399~
7	33125-292-070	SCREW, unit holder	- 2	CB750-1063399~
8	33128-300-030	NUT, unit holder	- 2	CB750-1063399~
9	33130-300-003	SOCKET COMP., head light cord (STANLEY)	- 1	CB750-1063399~
10	61301-300-010AZ	CASE, head light (Candy blue green).....	- 1	CB750-1063399~
	61301-300-010CM	CASE, head light (Candy ruby red).....	- 1	CB750-1063399~
	61301-300-010CQ	CASE, head light (Candy gold)	- 1	CB750-1063399~
	61301-300-010EE	CASE, head light (Candy garnet brown) ...	- 1	CB750-1063399~
	61301-300-010EF	CASE, head light (Valley green metallic) ...	- 1	CB750-1063399~
	61301-300-010EG	CASE, head light (Polynesian blue metallic)	- 1	CB750-1063399~
11	61302-300-000	COLLAR, head light case	- 2	CB750-1063399~
12	61304-292-000	WASHER, head light setting	- 2	CB750-1063399~
13	61304-292-400	COLLAR, head light setting	- 3	CB750-1063399~
14	93300-05016-0B	SCREW, pan, 5x16	- 3	
15	94111-05000	WASHER, spring, 5 mm	- 3	
16	94251-05000	PIN, lock, 5 mm	- 2	

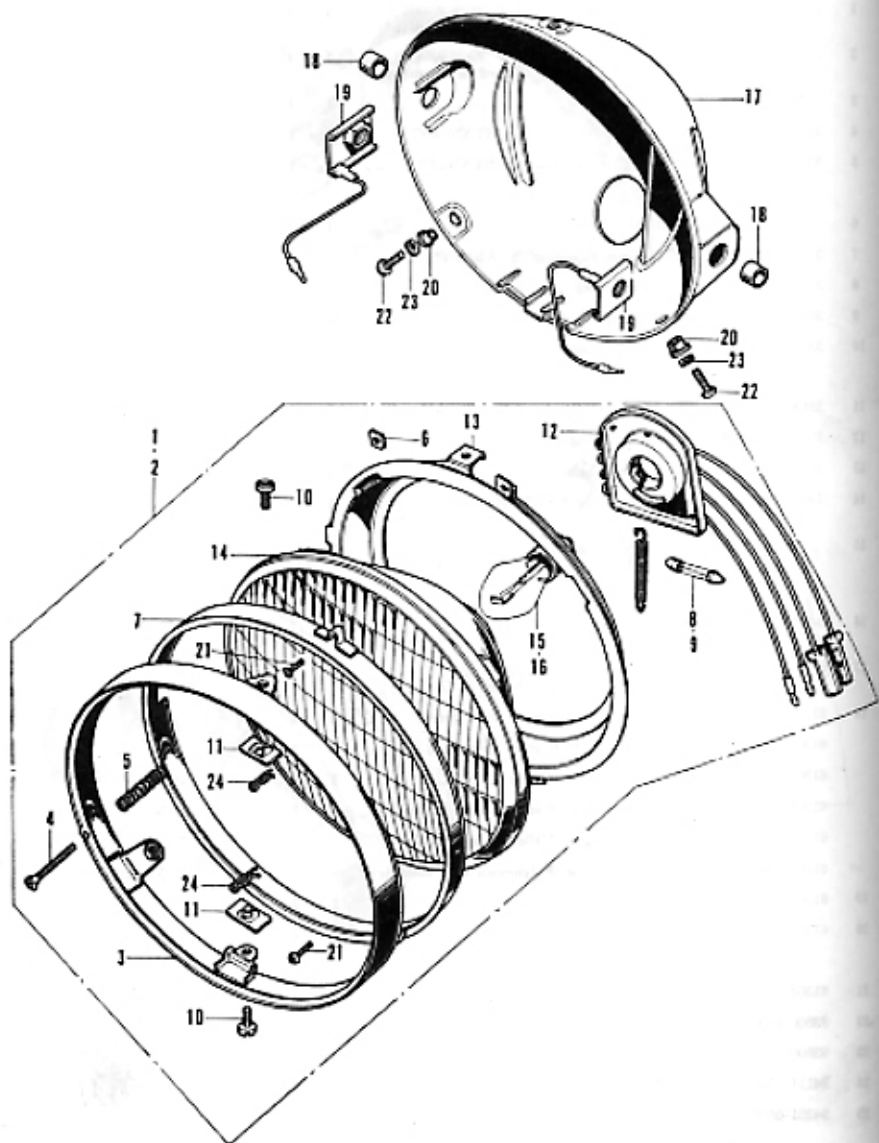
F-24 Head Light
(Used in England • Germany & E.D.)



F-24 Head Light
(Used in England - Germany & E.D.)

Ref. No.	Part No.	Description	Reqd. No. CB CB 750 750K1	Remarks
1	33100-300-600	LIGHT ASSY., head (12V 35/35W-4W)..... (Used in England)	1 1	
2	33100-300-610	LIGHT ASSY., head (12V 35/35W-4W)..... (Used in Germany)	1 1	
3	33101-300-673	RIM, head light	1 1	
4	33103-300-000	SCREW, beam adjusting (STANLEY).....	1 1	
5	33107-300-000	SPRING, beam adjusting (STANLEY)	1 1	
6	33106-568-610	RUBBER, joint	1 1	
7	33117-292-003	NUT, beam adjusting (STANLEY)	1 1	
8	33121-300-672	RING, retaining	1 1	
9	33125-292-670	SCREW, unit holder	2 2	
10	33128-292-670	NUT, unit holder	2 2	
11	33130-300-611	SOCKET COMP., head light & marker light	1 1	
12	33153-300-622	RING, mounting	1 1	
13	33321-533-611	UNIT, head light	1 1	
14	34901-259-611	BULB, head light (12V 35/35W)..... (Used in England)	1 1	
15		BULB, head light (12V 35/35W)..... (To be locally purchased in Germany)	1 1	
16	34902-259-610	BULB, marker light (12V4W)..... (Used in England)	1 1	
17		BULB, marker light (12V4W)..... (To be locally purchased in Germany)		
18	61301-300-010AZ	CASE, head light (Candy blue green).....	1 1	
	61301-300-010CM	CASE, head light (Candy ruby red).....	1 1	
	61301-300-010CQ	CASE, head light (Candy gold).....	1 1	CB750-1019210~
	61301-300-010EE	CASE, head light (Candy garnet brown) ...	- 1	CB750-1063399~
	61301-300-010EF	CASE, head light (Valley green metallic) ...	- 1	CB750-1063399~
	61301-300-010EG	CASE, head light (Polynesian blue metallic)	- 1	CB750-1063399~
19	61302-300-000	COLLAR, head light case	2 2	
20	61303-292-000	WASHER, head light setting	2 2	
21	61304-292-000	COLLAR, head light setting	3 3	
22	93500-03010-0B	SCREW, pan, 3x10	2 2	
23	93500-06016-0B	SCREW, pan, 5x16	3 3	
24	94111-06000	WASHER, spring, 5 mm	3 3	
25	94251-06000	PIN, lock, 5 mm	2 2	

F-25 Head Light
(Used In France & Netherlands)

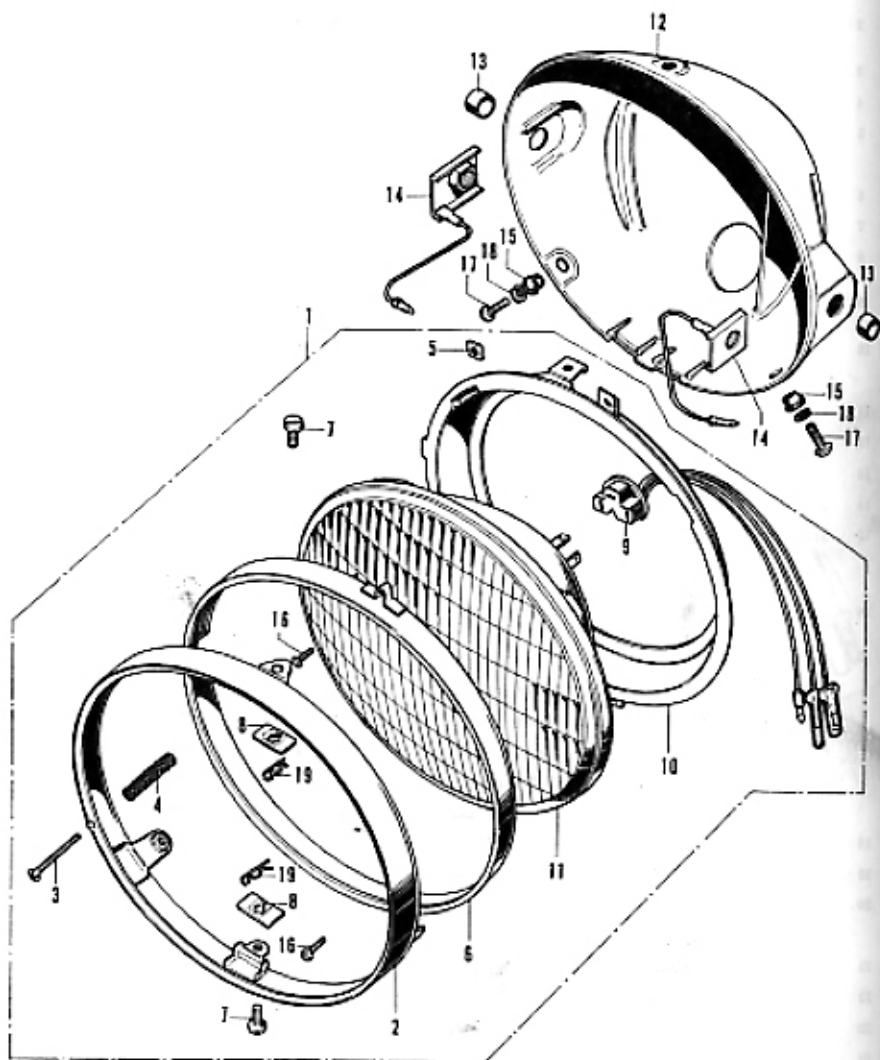


F-25 Head Light
(Used in France & Netherlands)

Ref. No.	Part No.	Description	Reqd. No.		Remarks
			CB	CB 750756K1	
1	33100-300-621	LIGHT ASSY., head (12V 36/45W)..... (Used in France)	1	1	
2	33100-300-690	LIGHT ASSY., head (12V 36/36W)..... (Used in Netherlands)	1	1	
3	33101-300-673	RIM, head light	1	1	
4	33103-300-003	SCREW, beam adjusting	1	1	
5	33107-300-003	SPRING, beam adjusting	1	1	
6	33117-292-003	NUT, beam adjusting	1	1	
7	33121-300-672	RING, retaining	1	1	
8	33123-568-740	BULB, marker light (12V 4W)..... (Used in Netherlands)	1	1	
9		BULB, marker light (12V 4W)..... (To be locally purchased in France)	1	1	
10	33125-292-670	SCREW, unit holder	2	2	
11	33128-292-670	NUT, unit holder	2	2	
12	33130-300-621	SOCKET, head light cord	1	1	
13	33153-300-622	RING, mounting	1	1	
14	33221-533-621	UNIT, head light	1	1	
15	33322-533-721	BULB, head light (12V 36/36W)..... (Used in Netherlands)	1	1	
16		BULB, head light (12V 36/45W)..... (To be locally purchased in France)	1	1	
17	61301-300-010AZ	CASE, head light (Candy blue green).....	1	1	
	61301-300-010CM	CASE, head light (Candy ruby red)	1	1	
	61301-300-010CQ	CASE, head light (Candy gold).....	1	1	CB750-1019210~
	61301-300-010EE	CASE, head light (Candy garnet brown) ...	-	1	CB750-1053399~
	61301-300-010EP	CASE, head light (Valley green metallic) ...	-	1	CB750-1053399~
	61301-300-010EG	CASE, head light (Polynesian blue metallic)...	-	1	CB750-1053399~
18	61302-300-000	COLLAR, head light case	2	2	
19	61303-292-000	WASHER, head light setting	2	2	
20	61304-292-000	COLLAR, head light setting	3	3	
21	93500-00010-0B	SCREW, pan, 3x10	2	2	
22	93500-05016-0B	SCREW, pan, 5x16	3	3	
23	94111-05000	WASHER, spring, 5mm	3	3	
24	94251-05000	PIN, lock, 5mm	2	2	



F-26 Head Light
(Used in U.S.A.)

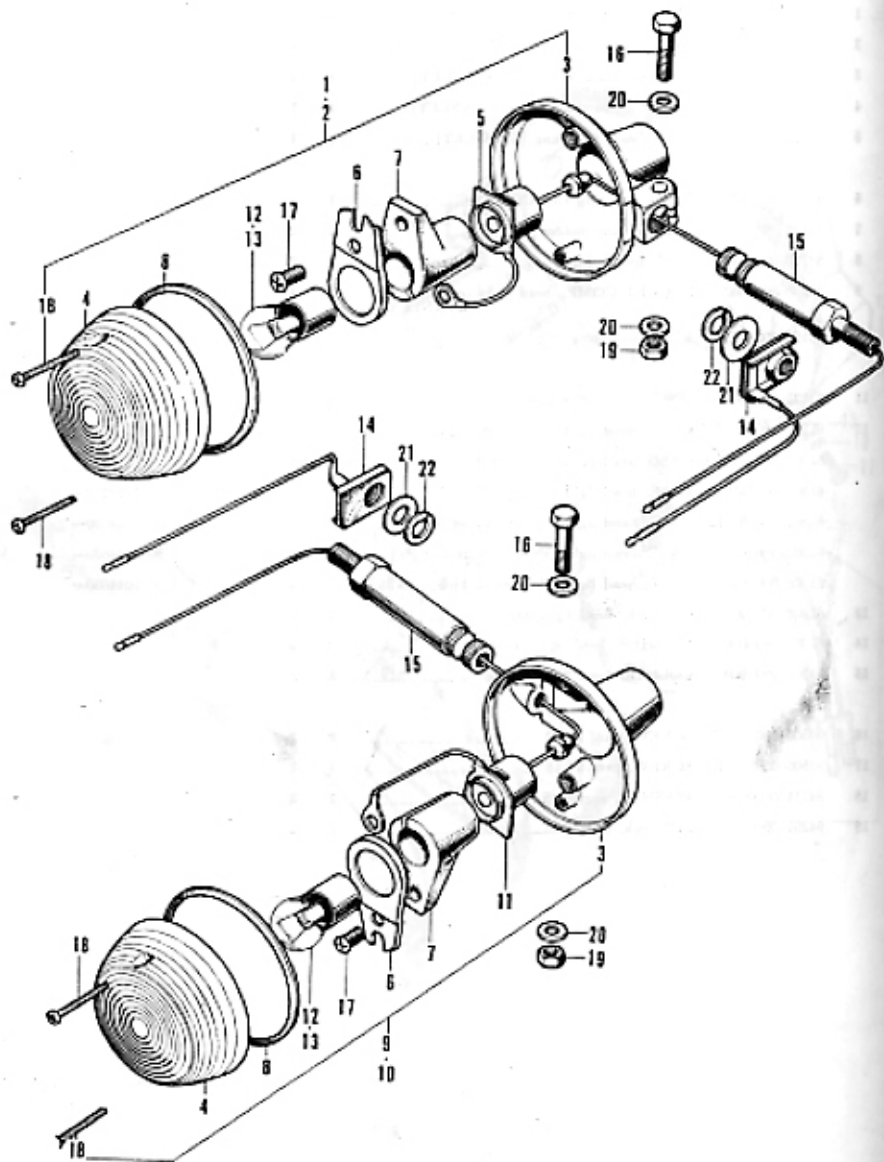


F-26 Head Light (Used in U.S.A.)

Ref. No.	Part No.	Description	Reqd. No.		Remarks
			CB	CB 750750K1	
1	33100-300-673	LIGHT ASSY., head (STANLEY)	1	1	
2	33101-300-673	RIM, head light (STANLEY)	1	1	
3	33103-300-003	SCREW, beam adjusting (STANLEY)	1	1	
4	33107-300-003	SPRING, beam adjusting (STANLEY)	1	1	
5	33117-292-003	NUT, beam adjusting (STANLEY)	1	1	
6	33121-300-672	RING, retaining (STANLEY)	1	1	
7	33125-292-670	SCREW, unit holder	2	2	
8	33128-292-670	NUT, unit holder	2	2	
9	33130-300-003	SOCKET COMP., head light cord (STANLEY)	1	1	
10	33163-300-671	RING, mounting (STANLEY)	1	1	
11	33321-505-003	UNIT, seal beam (STANLEY)	1	1	
12	61301-300-010AZ	CASE, head light (Candy blue green)	1	1	
	61301-300-010CM	CASE, head light (Candy ruby red)	1	1	
	61301-300-010CQ	CASE, head light (Candy gold)	1	1	CB750-1019210~
	61301-300-010EE	CASE, head light (Candy garnet brown) ...	-	1	CB750-1044650~
	61301-300-010EF	CASE, head light (Valley green metallic) ...	-	1	CB750-1044650~
	61301-300-010EG	CASE, head light (Polynesian blue metallic)	-	1	CB750-1044650~
13	61302-300-000	COLLAR, head light case	2	2	
14	61303-292-000	WASHER, head light setting	2	2	
15	61304-292-000	COLLAR, head light setting	3	3	
16	93500-05010-0B	SCREW, pan, 3x10	2	2	
17	93500-05016-0B	SCREW, pan, 5x16	3	3	
18	94111-05000	WASHER, spring, 5 mm	3	3	
19	94251-05000	PIN, lock, 5 mm	2	2	



F-27 Front Winker

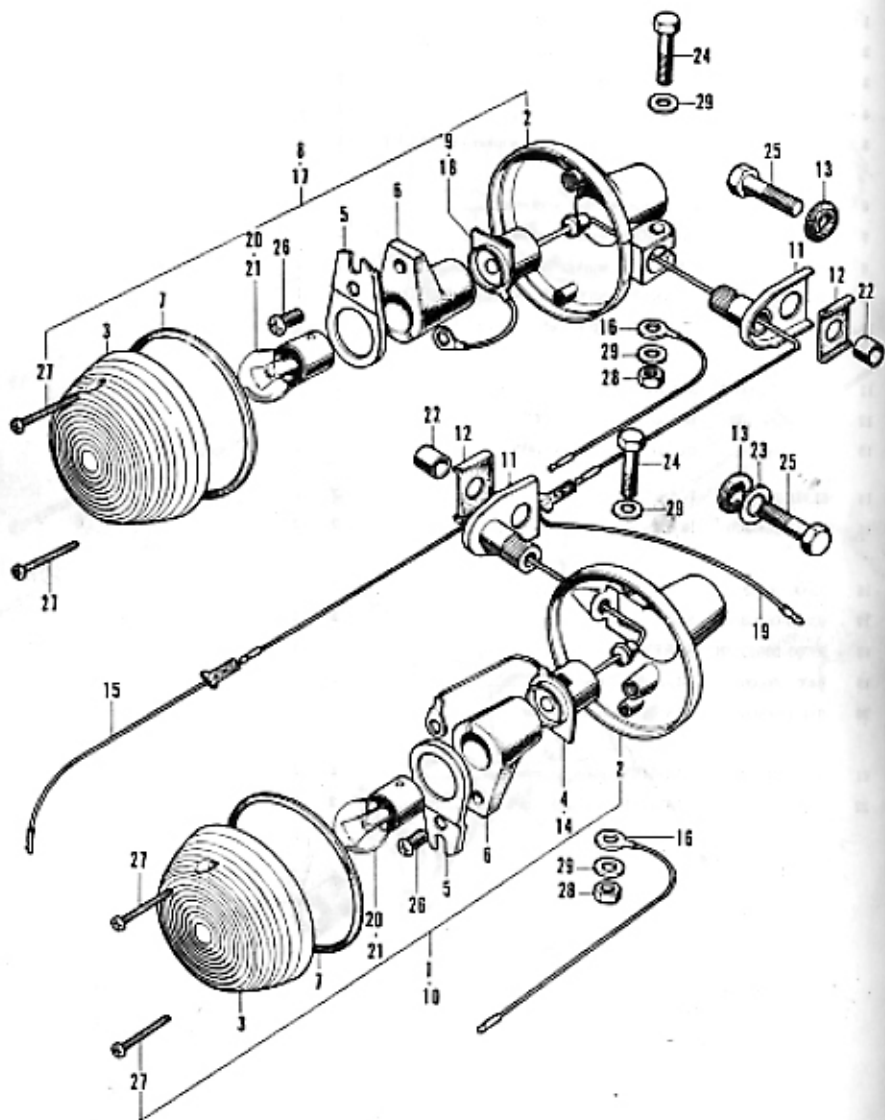


F-27 Front Winker

Ref. No.	Part No.	Description	Reqd. No.		Remarks
			CB	CB 750/750K1	
1	33400-292-670	WINKER ASSY., right (Not used in E.D.)...	1	1	
2	33400-317-730	WINKER ASSY., right (Used in E.D)	-	1	
3	35401-292-003	BASE, winker (STANLEY).....	2	2	
4	35402-268-671	LENS, winker	2	2	
5	33402-292-003	SOCKET COMP., right winker (STANLEY)	1	1	
6	33407-284-000	HOLDER, winker socket	2	2	
7	33408-284-000	CUSHION, winker rubber	2	2	
8	35443-268-671	PACKING, winker lens	2	2	
9	33450-292-670	WINKER ASSY., left (Not used in E.D.) ...	1	1	
10	33450-317-730	WINKER ASSY., left (Used in E.D.)	-	1	
11	33453-292-003	SOCKET COMP., left winker (STANLEY)	1	1	
12	34905-268-671	BULB, winker (12V 21W)	2	2	
13		BULB, winker (12V 18W)	-	2	
		(To be locally purchased in E.D.)			
14	61303-292-000	WASHER, head light case	2	2	
15	90154-268-670	BOLT, light case setting	2	2	
16	93300-05025	BOLT, hex., 6x25	2	2	
17	93500-05003-0A	SCREW, pan, 5x5	2	2	
18	93700-03025-3B	SCREW, oval, 3x25	4	4	
19	94301-05000	NUT, hex., 6 mm	2	2	
20	94101-05000	WASHER, plain, 6 mm	4	4	
21	94101-10000	WASHER, plain, 10 mm	2	2	
22	94111-10000	WASHER, spring, 10 mm	2	2	



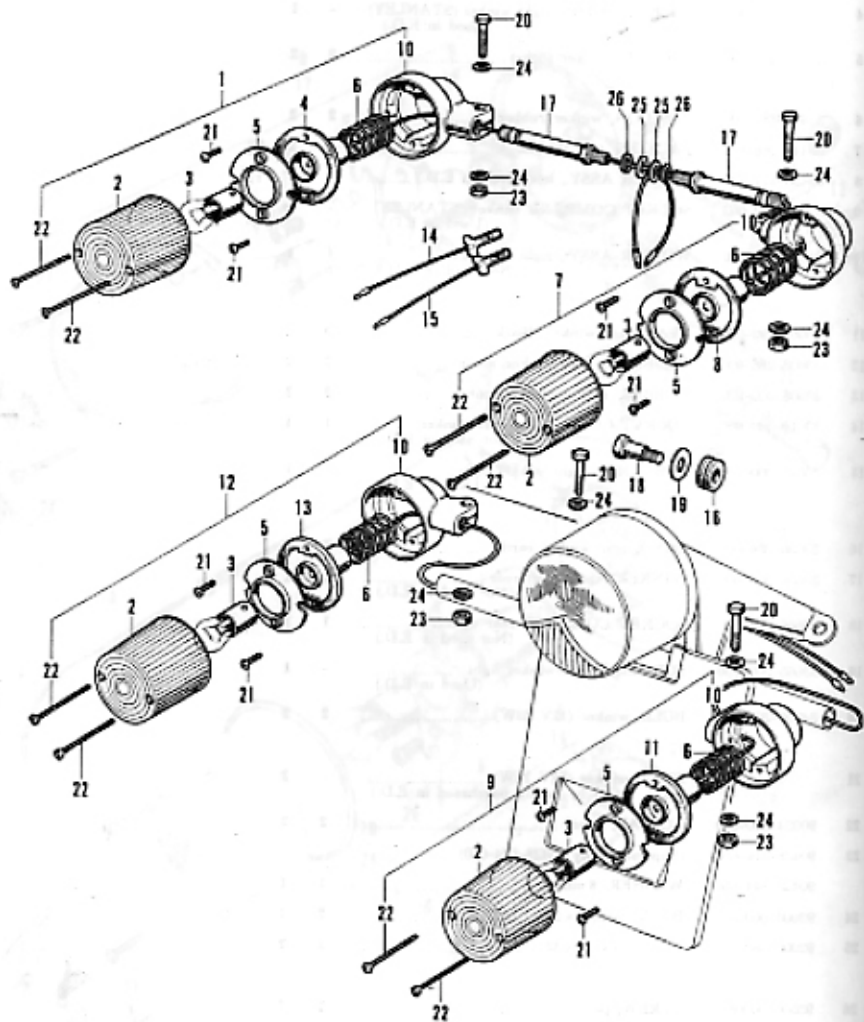
F-28 Rear Winker



F-28 Rear Winker

Ref. No.	Part No.	Description	Reqd. No.		Remarks
			CB	750 750R1	
1	33400-317-730	WINKER ASSY., right (Used in E.D.)	-	1	
2	33401-292-000	BASE, winker (STANLEY).....	2	2	
3	33402-268-671	LENS, winker	2	2	
4	33402-292-000	SOCKET COMP., right winker (STANLEY) (Used in E.D.)	-	1	
5	33407-284-000	HOLDER, winker socket	2	2	
6	33408-284-000	CUSHION, winker rubber	2	2	
7	33445-268-671	PACKING, winker lens	2	2	
8	33450-317-730	WINKER ASSY., left (Used in E.D.)	-	1	
9	33453-292-000	SOCKET COMP., left winker (STANLEY) (Used in E.D.)	-	1	
10	33500-300-000	WINKER ASSY., right rear	1	1	(Not used in E.D.)
11	33507-292-000B	STAY, rear winker (Black).....	2	2	
12	33608-286-000	RUBBER B, rear winker mount	2	2	
13	33608-300-000	RUBBER, rear winker mount	2	2	
14	33610-300-000	SOCKET COMP., right rear winker	1	1	(Not used in E.D.)
15	33615-300-730	SUB-CORD, right winker light	-	1	(Used in E.D.)
16	33620-300-000	CORD, rear winker earth	2	2	
17	33650-300-000	WINKER ASSY., left rear	1	1	(Not used in E.D.)
18	33660-300-000	SOCKET COMP., left rear winker	1	1	(Not used in E.D.)
19	33665-300-730	SUB-CORD, left winker light	-	1	(Used in E.D.)
20	34906-268-671	BULB, winker (12V 25W)	2	2	
21		BULB, winker (12V 18W)	-	2	(To be locally purchased in E.D.)
22	90324-300-000	COLLAR, 8 mm	2	2	
23	90428-816-650	(Superseded by 90428-844-650)			
	90428-844-650	WASHER, 8 mm.....	1	1	
24	90300-06028	BOLT, hex., 6x28	2	2	
25	90300-06032-0B	BOLT, hex., 8x32	2	2	
26	93500-05008-0A	SCREW, pan, 5x8.....	2	2	
27	93700-03025-3B	SCREW, oval, 3x25	4	4	
28	94001-06000	NUT, hex., 6 mm	2	2	
29	94101-06000	WASHER, plain, 6 mm.....	4	4	

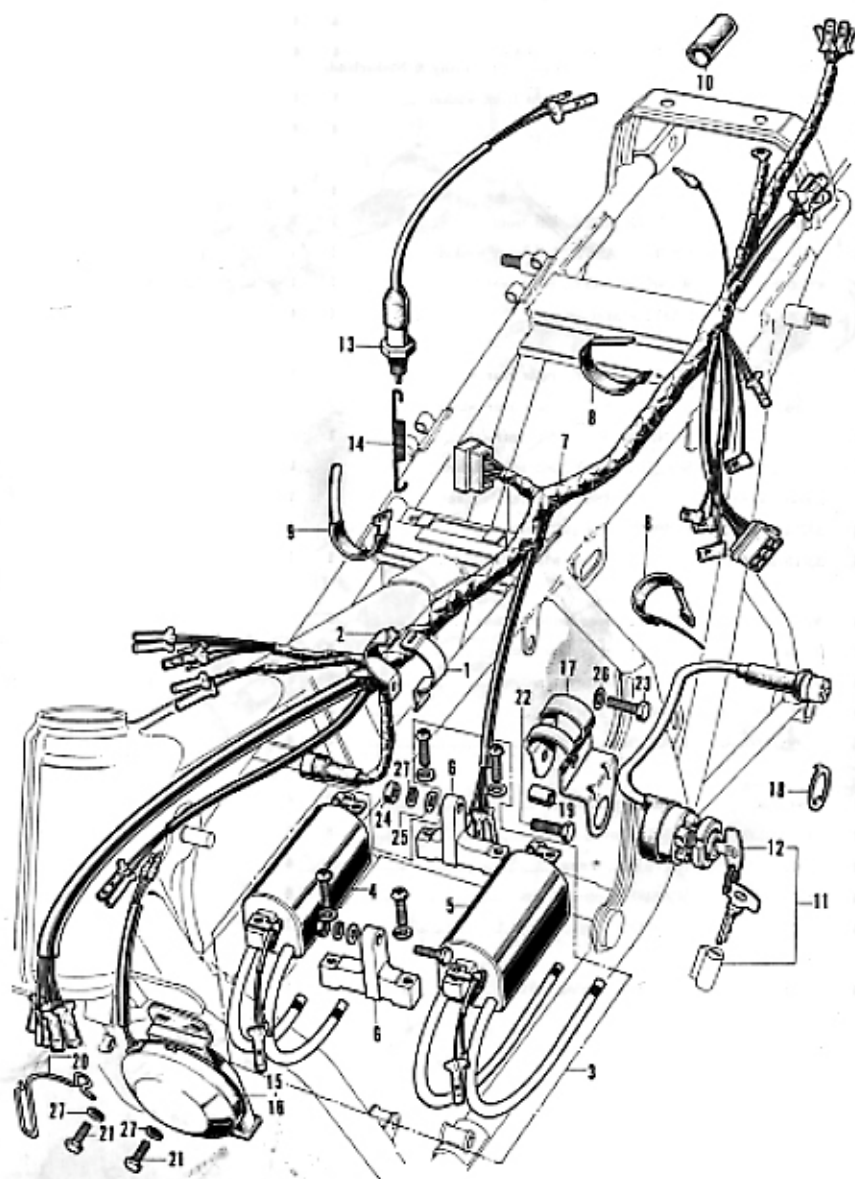
F-29 Winker
(Used in Germany & Netherlands)



F-29 Winker
(Used in Germany & Netherlands)

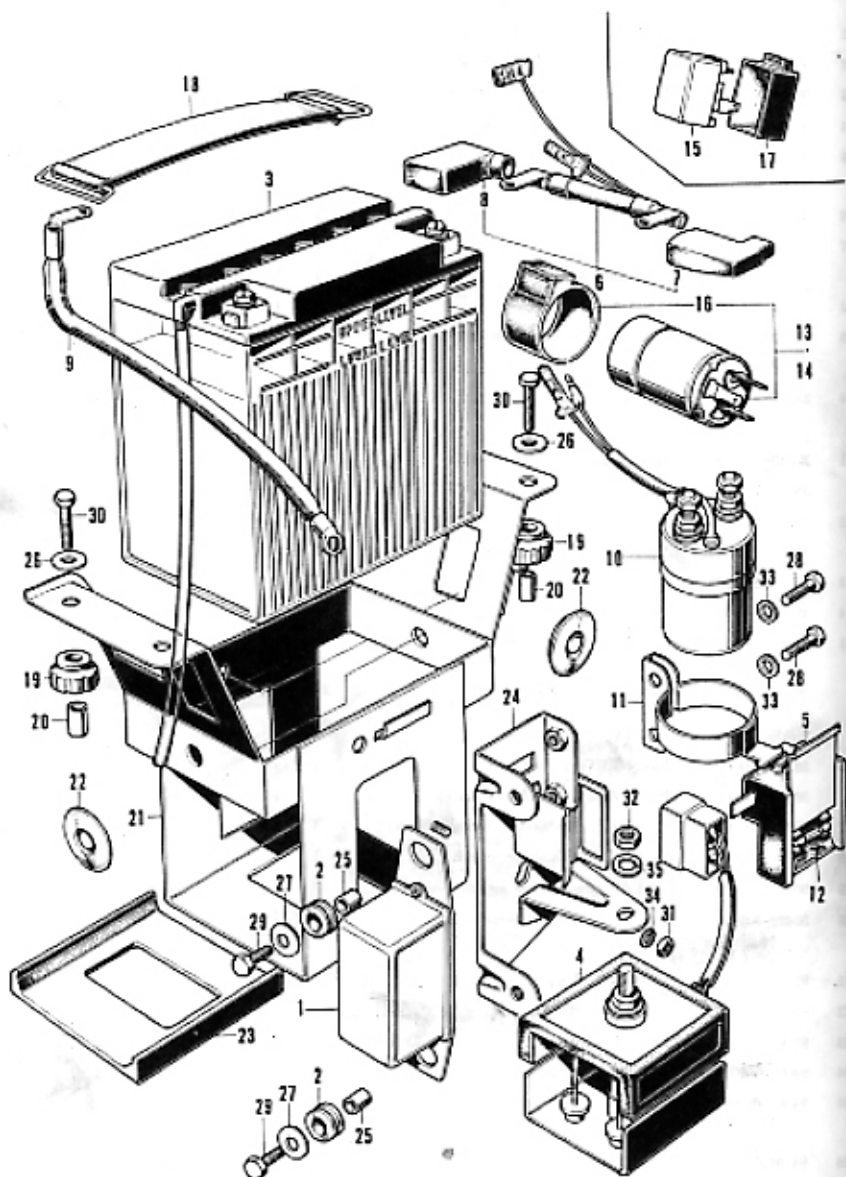
Ref. No.	Part No.	Description	Reqd. No.		Remarks
			CB	CB 750/750FC	
1	33400-292-611	WINKER ASSY., right front	1	1	
2	33402-268-610	LENS, winker	4	4	
3		BULB, winker (12V 18W)	4	4	
		(To be locally purchased in Germany & Netherlands)			
4	33410-292-610	SOCKET ASSY., right front winker	1	1	
5	33411-285-000	RING	4	4	
6	33413-285-000	SPRING, coil	4	4	
7	33450-292-611	WINKER ASSY., left front	1	1	
8	33460-292-610	SOCKET ASSY., left front winker	1	1	
9	33600-292-610	WINKER ASSY., right rear	1	1	
10	33605-292-610	BASE, winker	4	4	
11	33610-292-610	SOCKET ASSY., right rear winker	1	1	
	33610-300-610	SOCKET ASSY., right rear winker	-	1	
12	33650-292-610	WINKER ASSY., left rear	1	1	
13	33660-292-610	SOCKET ASSY., left rear winker	1	1	
	33660-300-610	SOCKET ASSY., left rear winker	-	1	
14	33714-300-610	SUB-CORD, right winker light	1	1	
15	33715-300-610	SUB-CORD, left winker light	1	1	
16	80102-292-670	RUBBER, rear fender setting	2	2	
17	90154-292-610	BOLT, front winker setting	2	2	
18	90156-292-671	BOLT, rear fender setting	2	2	
19	90630-286-600	WASHER, 12x32	2	2	
20	90900-06028-02	BOLT, hex, 6x28	4	4	
21	93500-03010-0A	SCREW, pan, 3x10	8	8	
22	93700-03050-0B	SCREW, oval, 3x50	8	8	
23	94001-06020	NUT, hex, 6 mm	4	4	
24	94101-06200	WASHER, plain, 6 mm	8	8	
25	94101-10200	WASHER, plain, 10 mm	2	2	
26	94111-10200	WASHER, spring, 10 mm	2	2	

F-30 Wire Harness



F-30 Wire Harness

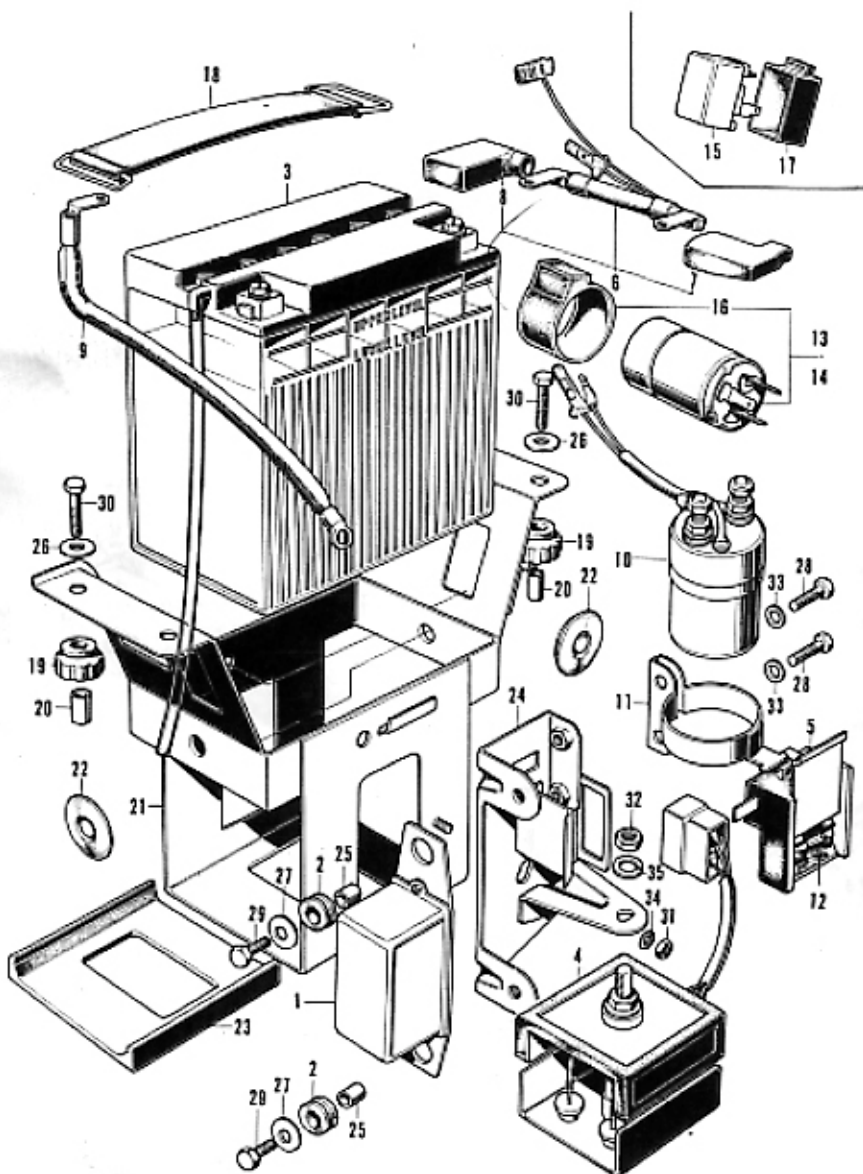
Ref. No.	Part No.	Description	Reqd. No.		Remarks
			CB	CB	
			750	750K1	
1	30251-300-000	BAND A, ignition coil setting	1	1	
2	30152-300-000	BAND B, ignition coil setting	1	1	
3	30500-300-013	COIL ASSY., ignition (TOYO)	1	1	
4	30501-300-013	COIL, right ignition (TOYO)	1	1	
5	30502-300-013	COIL, left ignition (TOYO)	1	1	
6	30611-300-000	BRACKET, ignition coil	2	2	
7	32100-300-040	HARNESS, wire	1	-	~1003479
	32100-300-060	HARNESS, wire	1	1	CB750-1003480~
8	32161-288-000	BAND A, wire harness	4	4	
9	32162-283-000	(Superseded by 32162-286-000)			
	32162-286-000	BAND B, wire harness	3	3	
10	33720-300-000	GROMMET, wire cord	-	1	CB750-1054538~
11	35010-300-003	(Superseded by 35010-313-003)			
	35010-313-003	SWITCH-KID, combination (TOYO)	1	1	
12	35100-300-003	(Superseded by 35100-313-003)			
	35100-313-003	SWITCH ASSY., combination (TOYO)	1	1	
13	35350-292-000	SWITCH ASSY., stop (TOYO)	1	1	
14	35357-300-000	SPRING, stop switch	1	1	
15	38100-300-013	HORN ASSY. (MITSUBA)	1	-	~1003850
		(Not used in France)			
	38100-300-023	HORN ASSY. (MITSUBA)	1	1	CB750-1003951~
		(Not used in France)			
16	38100-300-020	HORN ASSY. (Used in France)	1	-	CB750-1003480~1003850
	38100-300-021	HORN ASSY. (Used in France)	1	1	CB750-1003951~
17	50375-300-000B	BRACKET, combination switch (Black)	1	1	
18	50376-300-000	WASHER, combination switch	1	1	
19	50377-300-000	COLLAR combination switch bracket	1	1	
20	50462-300-000	CLAMP, tachometer cable	1	1	CB750-1003951~
21	92000-06016	BOLT, hex., 6x15	2	2	
22	92000-06025	BOLT, hex., 6x25	2	2	
23	92000-08040-0A	BOLT, hex., 8x40	1	1	
24	94001-06000	NUT, hex., 6 mm	2	2	
25	94101-06000	WASHER, plain, 6 mm	2	2	
26	94101-08000	WASHER, plain, 8 mm	1	1	
27	94111-06000	WASHER, spring, 6 mm	2	2	



F-31 Battery - Electric

Ref. No.	Part No.	Description	Regd. No.		Remarks
			CB	CB 750 750K1	
1	31400-300-035	REGULATOR ASSY. (HITACHI)	1	1	
2	31403-300-000	RUBBER, regulator cushion	2	2	
3	31500-300-670	BATTERY ASSY. (YUASA 12V-14AH) ...	1	1	
4	31700-300-035	RECTIFIER ASSY., silicon (HITACHI) ...	1	1	
5	32110-300-000	BOX ASSY., fuse	1	1	
6	32401-300-010	CABLE, starter battery	1	1	
7	32412-300-010	COVER A, battery terminal	1	1	
8	32413-300-010	COVER B, battery terminal	1	1	
9	32601-300-000	CABLE, battery earth	1	1	
10	33850-306-670	SWITCH ASSY., starter magnetic	1	1	
11	35851-300-000	STAY, starter magnetic switch	1	1	
12	38201-250-000	FUSE, (15A, Including 3 fuses as spare parts)	4	4	
13	38300-300-000	RELAY ASSY., winker (Not used in U.S.A., Germany - E.D. & Netherlands)	1	1	CB750-1003480~
14	38500-300-610	RELAY ASSY., winker (Used in Germany - E.D. & Netherlands)	1	1	CB750-1005084~
15	38500-292-670	(MAKER SIGNAL STAT) (To be locally purchased in U.S.A. & General)			
16	38505-292-000	SUSPENSION, winker relay	1	1	CB750-1003480~
		(Not used in U.S.A. & General)			
17	38505-292-670	SUSPENSION, winker relay	1	1	
		(Used in U.S.A. & General)			
18	50322-300-010	BAND, battery	1	1	
19	50323-300-010	RUBBER A, battery	4	4	
20	50324-300-000	COLLAR, battery box	4	4	
21	50325-300-020	BOX, battery	1	1	
22	50327-300-000	RUBBER B, battery	4	4	
23	50329-300-010	RUBBER C, battery	1	1	
24	50330-300-020	PLATE, electric base	1	1	
25	84706-286-000	COLLAR, number bracket setting	2	2	

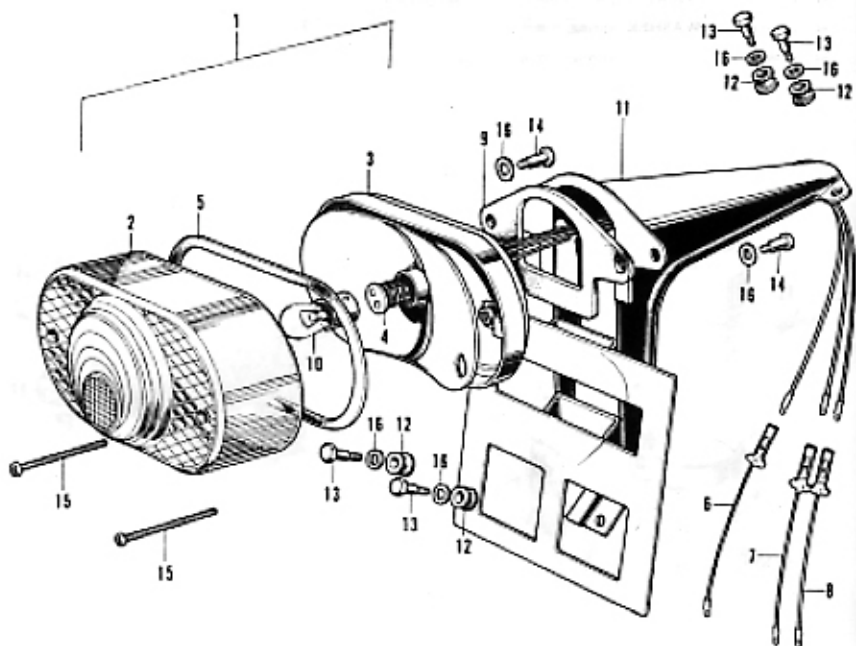
F-31 Battery - Electric



F-31 Battery - Electric

Ref. No.	Part No.	Description	Reqd. No.		Remarks
			CB	CB 750/750K1	
25	90614-700-000	WASHER, tank collar lock.....	4	4	
27	90601-701-000	WASHER, 18 mm	2	2	
28	92000-06012	BOLT, hex., 6x12	2	2	
29	92000-06020	BOLT, hex., 6x20	2	2	
30	92000-06025	BOLT, hex., 6x25	4	4	
31	94001-06000	NUT, hex., 6 mm	1	1	
32	94001-08000-05	NUT, hex., 8 mm	1	1	
33	94101-06000	WASHER, plain, 6 mm.....	2	2	
34	94111-06000	WASHER, spring, 6 mm	1	1	
35	94111-08000	WASHER, spring, 8 mm	1	1	

F-32 Tail Light
(Used in England)

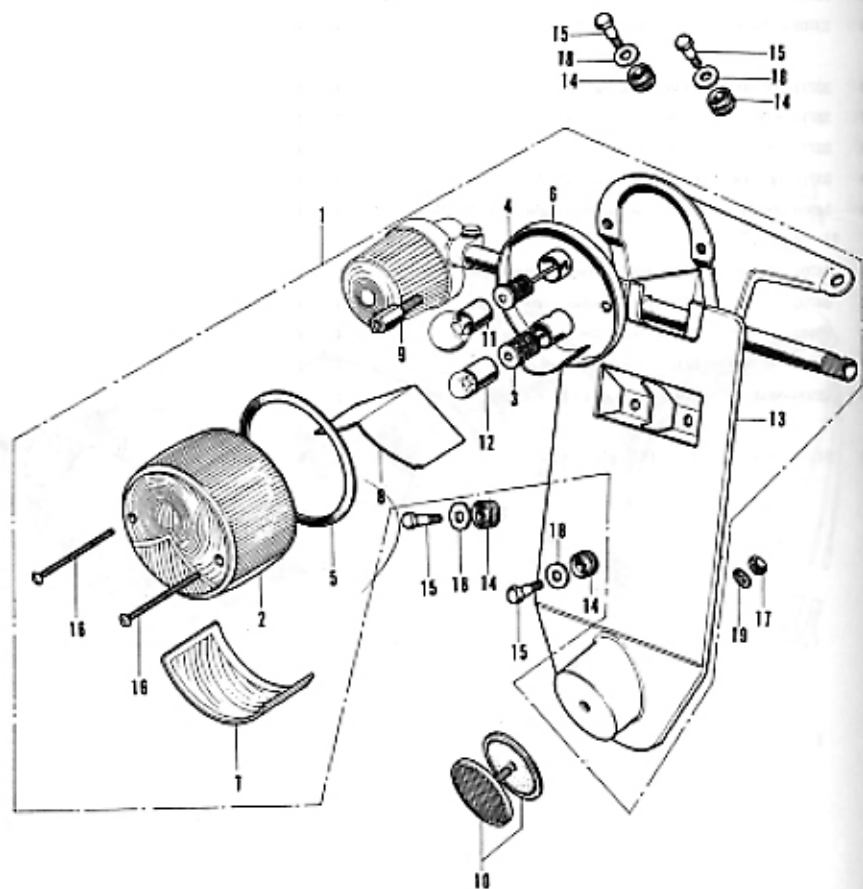


F-32 Tail Light
(Used in England)

Ref. No.	Part No.	Description	Rcmd. No.		Remarks
			CB	750 750K1	
1	33700-292-600	LIGHT ASSY., tail	1	1	
2	33701-041-001	LENS, tail light	1	1	
3	33702-292-003	BASE COMP., tail light	1	1	
4	33707-292-013	CORD, tail light	1	1	
5	33709-041-000	PACKING, tail light lens.....	1	1	
6	33711-300-600	CORD, tail light sub.....	1	1	
7	33712-300-600	CORD, tail light earth	1	1	
8	33713-300-600	CORD, stop light sub	1	1	
9	33719-292-000	PACKING, tail light base	1	1	
10	34906-268-810	BULB, tail & stop light (12V 21/7W).....	1	1	
11	84701-300-600B	BRACKET, number plate (Black).....	1	1	
12	84705-292-000	RUBBER, number plate bracket	4	4	
13	90162-292-000	BOLT, front fender setting	4	4	
14	90165-292-000	BOLT, tail light setting.....	2	2	
15	93500-04045-0B	SCREW, pan, 4x45	2	2	
16	94101-08200	WASHER, plain, 8mm.....	4	4	



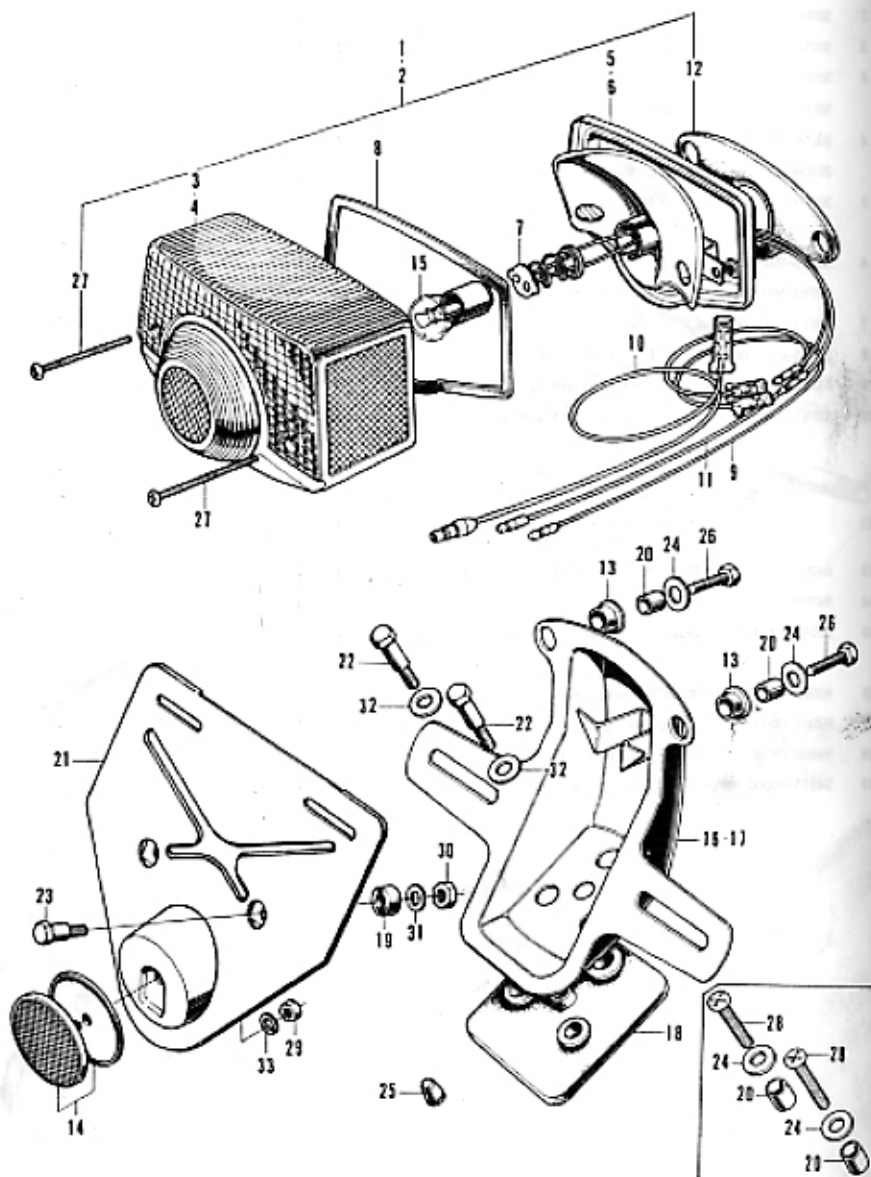
F-33 Tail Light
(Used in Germany & Netherlands)



F-33 Tail Light
(Used in Germany & Netherlands)

Ref. No.	Part No.	Description	Reqd. No.		Remarks
			CB	CB 750 750K1	
1	33700-300-610	LIGHT ASSY., tail	1	1	
2	33701-051-000	LENS, tail & stop light	1	1	
3	33707-292-610	CORD, tail light	1	1	
	33707-300-610	CORD, tail light	-	1	
4	33708-292-610	CORD, stop light	1	1	
	33708-300-610	CORD, stop light	-	1	
5	33709-061-000	PACKING, tail light	1	1	
6	33710-292-610	SOCKET COMP., tail light.....	1	1	
	33710-300-610	SOCKET COMP., tail light.....	-	1	
7	33715-051-000	LENS, license	1	1	
8	33716-051-000	PLATE, inter ception	1	1	
9	33717-292-610	BOLT, tail light setting	2	2	
10	33741-292-610	REFLECTOR ASSY., reflex	1	1	
11		BULB, stop (12V 18W)..... (To be locally purchased in Germany & Netherlands)	1	1	
12		BULB, tail light (12V 5W)..... (To be locally purchased in Germany & Netherlands)	1	1	
13	84701-300-611B	BRACKET, number plate (Black).....	1	1	
14	84705-292-000	RUBBER, number plate bracket cushion ...	4	4	
15	90162-292-000	BOLT, front fender setting	4	4	
16	90500-03045-0B	SCREW, pan, 3x45	2	2	
17	94001-05000-05	NUT, hex., 5 mm	1	1	
18	94101-08200	WASHER, plain, 8 mm.....	4	4	
19	94111-05000	WASHER, spring, 5 mm	1	1	

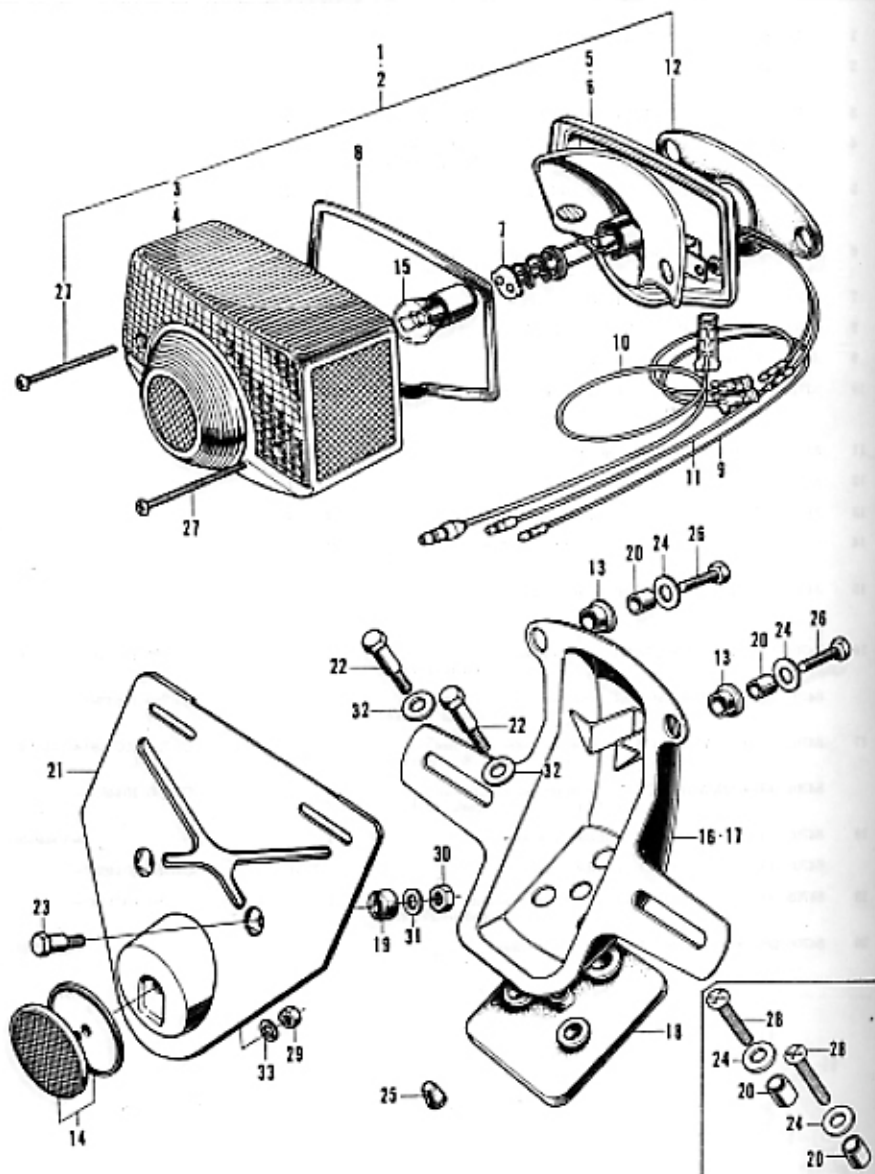
F-34 Tail Light



F-34 Tail Light

Ref. No.	Part No.	Description	Recd. No.		Remarks
			CB	750750K1	
1	33701-300-671	UNIT, tail light	1	1	
2	33701-300-730	UNIT, tail light (12V 21/5W) (Used in E.D.)	-	1	
3	33702-077-671	LENS, tail light (HM-11RC)	1	1	
4	33702-302-003	LENS, tail light (STANLEY HM-12RC) ... (Used in E.D.)	-	1	
5	33703-077-671	BASE COMP., tail light	1	1	
6	33703-303-000	BASE COMP., tail light (STANLEY)..... (Used in E.D.)	-	1	
7	33706-077-671	CORD COMP., tail light	1	1	
8	33709-077-671	PACKING, tail light lens.....	1	1	
9	33711-300-000	CORD, tail light sub	1	1	
10	33712-300-003	CORD, tail light earth (STANLEY).....	1	1	
11	33713-300-000	CORD, stop light sub	1	1	
12	33718-077-671	PACKING A, tail light base	1	1	
13	33719-077-671	PACKING B, tail light.....	2	2	
14		REFLECTOR ASSY., reflex	1	1	
		(To be locally purchased in France)			
15	54906-268-810	BULB, tail & stop light (12V 23/7W).....	1	1	
16	84701-300-010XW BRACKET, number plate (Chrome)..... (Used in France)		1	-	CB750-1003480~1063098
	84701-300-020XW BRACKET, number plate (Chrome)..... (Used in France)		-	1	CB750-1053099-
17	84701-300-671XW BRACKET, number plate (Chrome)..... (Used in U.S.A. & Australia)		1	-	CB750-1003480~1044649
	84701-300-672XW BRACKET, number plate (Chrome)..... (Used in U.S.A., Australia & E.D.)		-	1	CB750-1044650-
18	84702-300-000	SHEAT, number bracket.....	1	-	~1044649
	84702-300-010	SHEAT, number bracket.....	-	1	CB750-1044650-
19	84705-300-620	RUBBER, number plate setting	2	2	CB750-1003480~
		(Used in France)			
20	84706-286-000	COLLAR, number bracket	4	-	-1044649

F-34 Tail Light

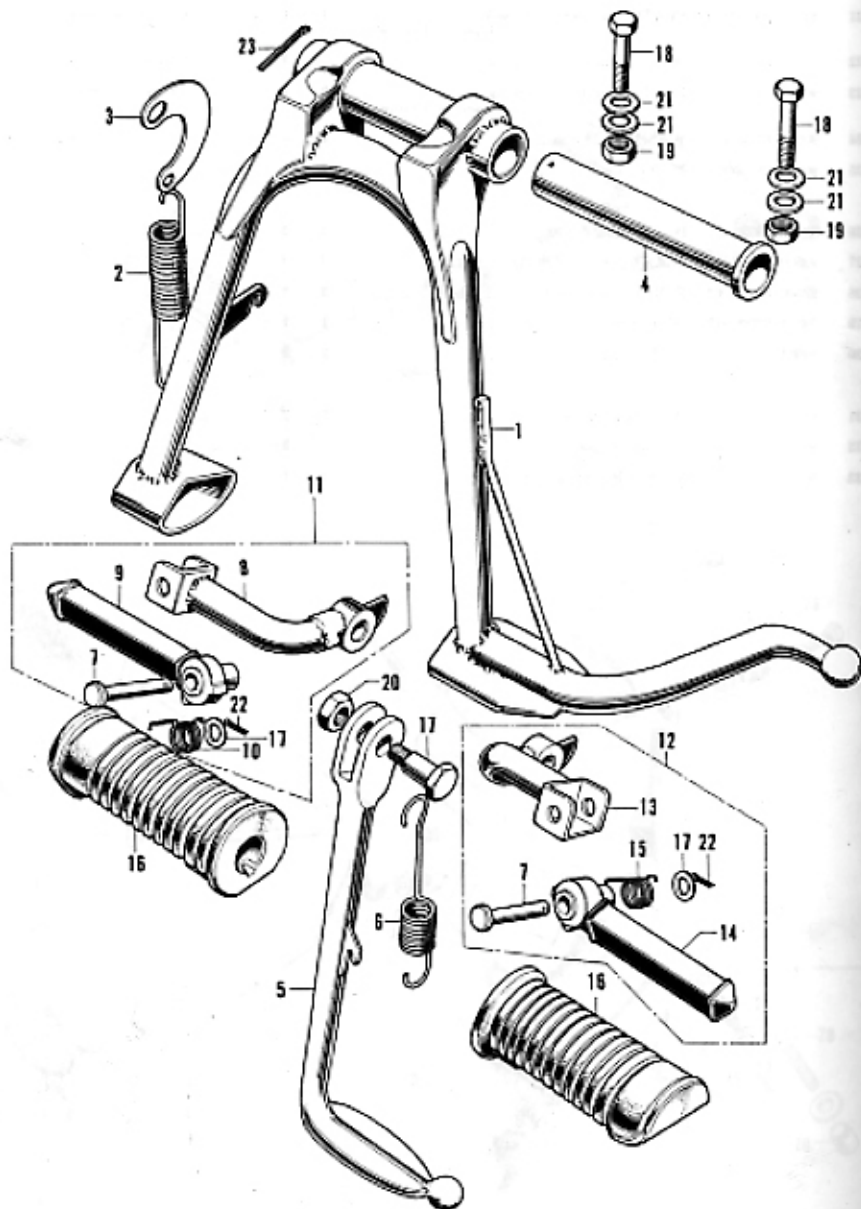


F-34 Tail Light

Ref. No.	Part No.	Description	Reqd. No.		Remarks
			CB 750	CB 750R1	
21	84710-300-620	PLATE, number plate back (Used in France)	1	1	CB750-1003480-
22	90162-292-000	BOLT, front fender setting	-	3	CB750-1044650-
23	90162-292-670	BOLT, front fender setting (Used in France)	2	2	CB750-1003480~
24	90521-831-050	WASHER, 18mm	4	-	~1044649
25	90899-281-000	PLUG, cone	1	1	
26	92000-05020-01B	BOLT, hex, 5x20	2	2	
27	93500-04050-4J	SCREW, pan, 4x50	2	2	
28	93500-06020-4J	SCREW, pan, 6x20	2	2	
29	94001-03000-0S	NUT, hex, 5mm	1	1	
30	94001-03000	NUT, hex, 6mm	2	2	
31	94101-05000	WASHER, plain, 6mm	2	2	
32	94101-08000	WASHER, plain, 8mm	-	3	
33	94111-05000	WASHER, spring, 5mm	1	1	



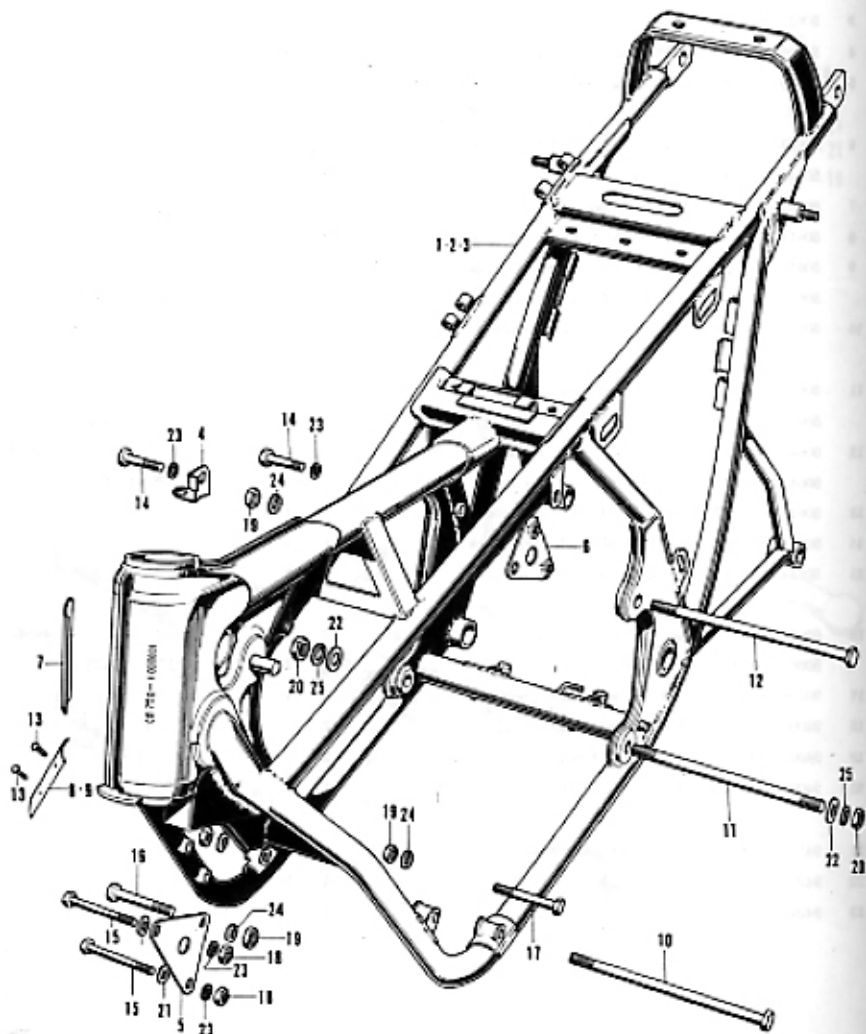
F-35 Stand - Step



F-35 Stand - Step

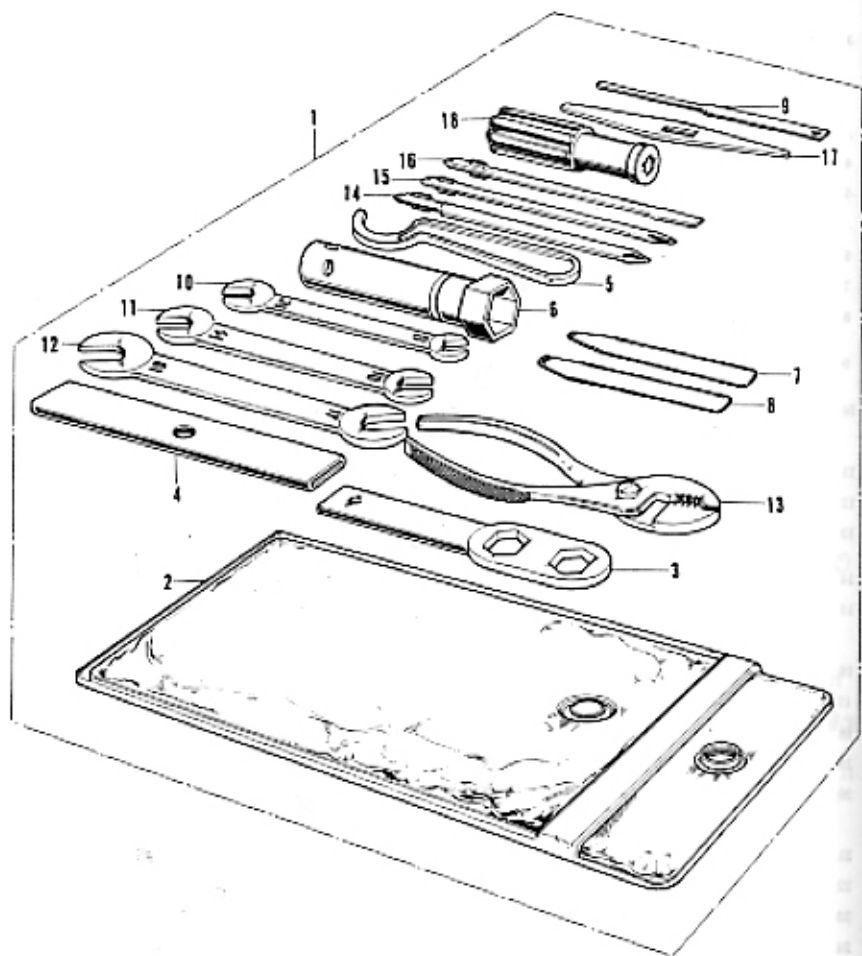
Ref. No.	Part No.	Description	Repl. No.		Remarks
			CB 750	CB 750K1	
1	50500-300-000B	STAND, main (Black)	1	1	
2	50522-300-010	SPRING, main stand.....	1	1	
3	50523-300-010	PLATE, main stand spring.....	1	1	
4	50526-300-000	PIPE, main stand pivot	1	1	
5	50830-294-000	BAR, side stand	1	1	
6	50542-273-000	(Superseded by 50542-285-000)			
	50542-286-000	SPRING, side stand	1	1	
7	50603-013-000	PIN, step bar joint.....	2	2	
8	50615-300-670B	BAR COMP., right step (Black)	1	1	
9	50616-283-020B	ARM COMP., right step (Black)	1	-	~1044549
	50616-310-000	ARM COMP., right step	-	1	CB750-1044650~
10	50617-300-000	SPRING, right step return	1	1	
11	50630-300-305B	STEP ASSY., right (Black).....	1	-	~1044549
	50630-300-670B	STEP ASSY., right (Black).....	-	1	CB750-1044650~
12	50640-300-305B	STEP ASSY., left (Black).....	1	-	~1044549
	50640-300-670B	STEP ASSY., left (Black).....	-	1	CB750-1044650~
13	50641-300-670B	BAR COMP., left step (Black)	1	1	
14	50642-283-000B	ARM COMP., left step (Black)	1	1	
15	50644-300-000	SPRING, left step return.....	1	1	
16	50661-283-010	RUBBER, step.....	2	-	~1044549
	50661-310-000	RUBBER, step.....	-	2	CB750-1044650~
17	90108-283-000	SCREW, side stand pivot.....	1	1	
18	92000-08040-0A	BOLT, hex., 8 x 40	2	2	
19	94001-08000-0S	NUT, hex., 8 mm	2	2	
20	94002-10000-0S	NUT, hex., 10 mm	1	1	
21	94101-08000	WASHER, plain, 8 mm.....	6	6	
22	94201-16150	PIN, split, 1.6 x 15	2	2	
23	94201-25300	PIN, split, 2.5 x 30	1	1	

F-36 Frame



F-36 Frame

Ref. No.	Part No.	Description	Regd. No.		Remarks
			CB	CB 750 750K1	
1	50100-300-000B	(Superseded by 50100-300-365B)			
	50100-300-365B	BODY SET, frame (Black) (Not used in France, Germany & Netherlands)	1	-	~1003950
	50100-300-060B	BODY COMP., frame (Black) (Not used in France, Germany & Netherlands)	1	1	CB750-1000951~
2	50100-300-610B	BODY COMP., frame (Black) (Used in Germany & Netherlands)	1	1	CB750-1006084~
3	50100-300-620B	(Superseded by 50100-300-621B)			
	50010-300-621B	BODY SET, frame (Black) (Used in France)	1	-	CB750-1000480~1000950
	50100-300-621B	BODY COMP., frame (Black) (Used in France)	1	1	CB750-1000951~
4	50156-300-020	BRACKET, stop switch	1	1	
5	50351-300-040	BRACKET, front engine hanger	1	1	
6	50356-300-010	BRACKET, rear engine hanger	1	1	
7	87125-041-680	PLATE, name (Not used in U.S.A.)	1	1	CB750-1000480~
8	87501-300-610	PLATE, registered number (Used in Germany & Netherlands)	1	1	CB750-1006084~
9	87501-300-621	PLATE, registered number (Used in France)	1	1	CB750-1000480~
10	90152-300-010	BOLT A, engine hanger	1	1	
11	90155-300-000	BOLT, rear engine hanger lower	1	1	
12	90156-300-000	BOLT C, engine hanger	1	1	
13	90841-001-000	SCREW, rivet, 1.5x5 (Used in France, Germany & Netherlands)	2	2	CB750-1000480~
14	92200-08045-0A	BOLT, hex, 8x45	2	2	
15	92200-08056-0A	BOLT, hex, 8x56	2	2	
16	92200-10050-0A	BOLT, hex, 10x50	1	1	
17	92200-10080-0A	BOLT, hex, 10x80	1	1	
18	94001-08000-0S	NUT, hex, 8 mm	2	2	
19	94009-10000	NUT, hex, 10 mm	4	4	
20	94030-12000	NUT, hex, 12 mm	2	2	
21	94101-08000	WASHER, plain, 8 mm	2	2	
22	94101-12000	WASHER, plain, 12 mm	2	2	
23	94111-08000	WASHER, spring, 8 mm	4	4	
24	94111-10000	WASHER, spring, 10 mm	4	4	
25	94111-12000	WASHER, spring, 12 mm	2	2	



F-37 Tool Bag - Tool

Ref. No.	Part No.	Description	Regd. No.		Remarks
			CB 750	CB 750Rt	
1	89010-300-000	TOOL-SET	1	1	
2	89101-300-010	BAG, tool	1	1	
3	89202-283-400	WRENCH, axle	1	1	
4	89203-283-400	ARM, axle wrench.....	1	1	
5	89306-283-400	SPANNER, pin, 45 mm	1	1	
6	89216-300-400	WRENCH, plug	1	1	
7	89231-001-400	GAUGE, tapet clearance adjusting	1	1	
8	89232-300-400	GAUGE, exhaust tapet clearance adjusting...	1	1	
9	89235-253-000	FILE, point	1	1	
10	99001-08120	SPANNER, 8x12	1	1	
11	99001-10140	SPANNER, 10x14	1	1	
12	99001-13190	SPANNER, 17x19	1	1	
13	99002-15000	PLIER, 150 mm	1	1	
14	99003-10000	DRIVER #2, plus	1	1	
15	99003-20000	DRIVER #3, plus	1	1	
16	99003-30000	DRIVER #2, minus	1	1	
17	99003-40000	LEVER	1	1	
18	99003-50000	GRIP	1	1	



PARTS LIST

(Supplement 1)

for

Police Models

CB750P-U (For Australia)

CB750P-AI (For U.S.A.)

This supplement parts list contains the service parts exclusive for the above models.

Therefore, please refer to the basic CB750K1 exclusive for Australia and U.S.A. parts list together with this supplement.

Engine and frame serial numbers for CB750 police models are numbered in the same sequence for CB750K1.

The initial serial numbers for U.S.A. and Australian models are as follows.

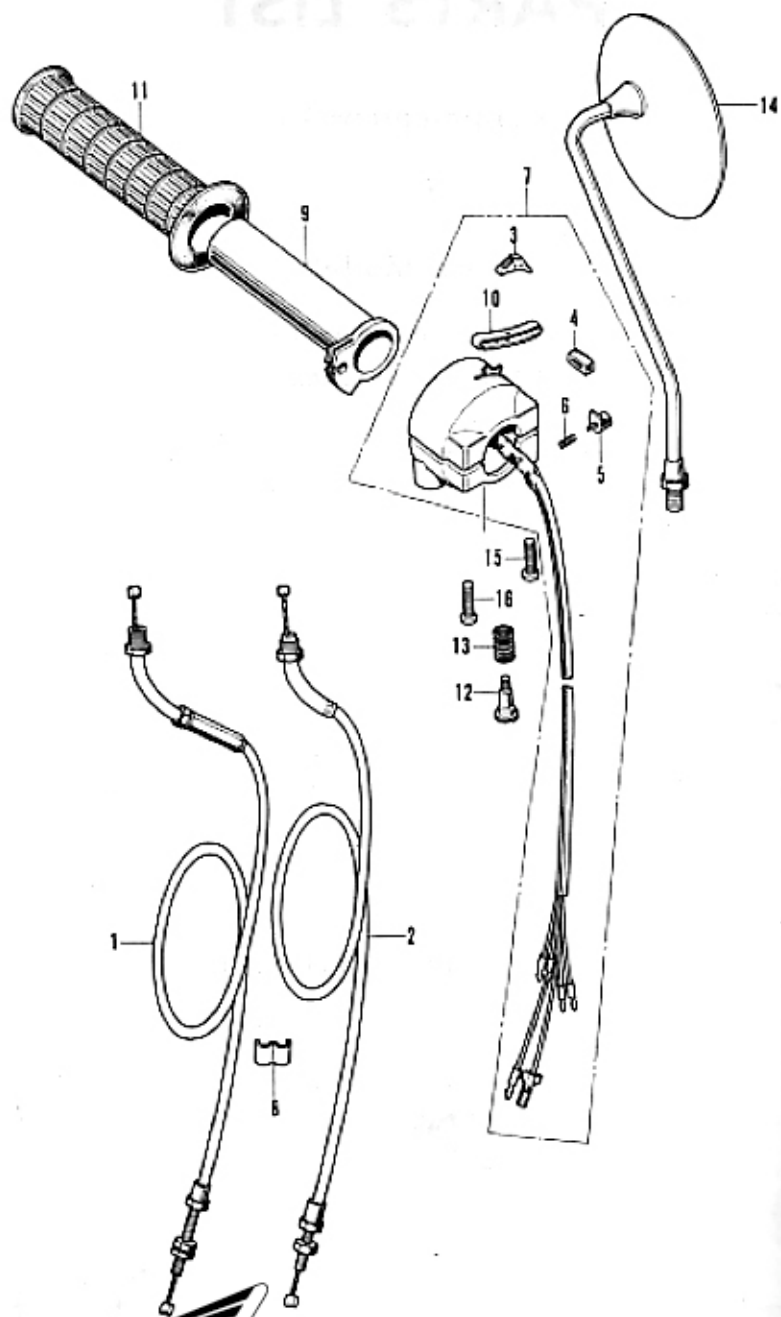
CB750P-U (For Australia)	CB750-1068267 ~
CB750P-AI (For U.S.A.)	CB750-1087436 ~

June 21, 1971

HONDA MOTOR CO., LTD.

POLICE MODELS

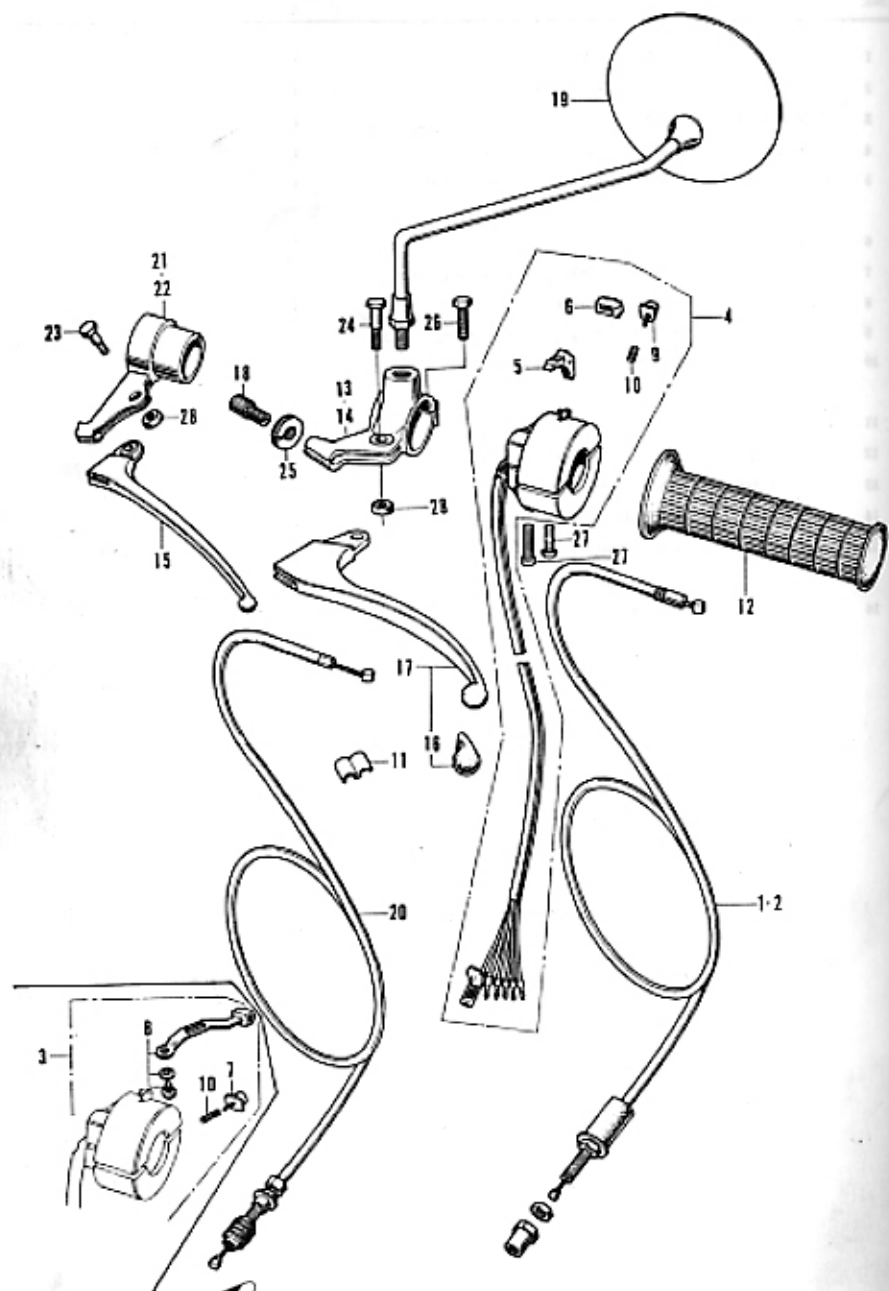
P-1 R/H Handle Switch - Cable



P-1 R/H Handle Switch - Cable

Ref. No.	Part No.	Description	Reqd. No. CB750P U A	Remarks
1	17910-300-751	CABLE COMP. A, throttle	- 1	
2	17920-300-750	CABLE COMP. B, throttle	- 1	
3	35316-259-300	SWITCH, horn button	- 1	
4	35316-292-750	KNOB, speedometer stop switch	- 1	
5	35317-259-300	BUTTON, horn button switch push	- 1	
6	35318-259-000	SPRING, push button	- 1	
7	35800-300-770	SWITCH ASSY., starter patrol dimmer ...	- 1	
8	45465-270-000	CLIP, front brake wire	- 1	
9	53141-300-010	PIPE, throttle grip	- 1	
10	53163-300-010	ADJUSTER, throttle grip	- 1	
11	53165-283-000	RUBBER, right grip	- 1	
12	53190-300-000	BOLT, throttle grip adjust	- 1	
13	53191-300-000	SPRING, throttle adjust	- 1	
14	88110-074-000	MIRROR, right back	- 1	
15	93500-05014-0A	SCREW, pan, 5 x 14	- 1	
16	93500-05023-0A	SCREW, pan, 5 x 22	- 1	

P-2 L/H Handle Switch · Cable

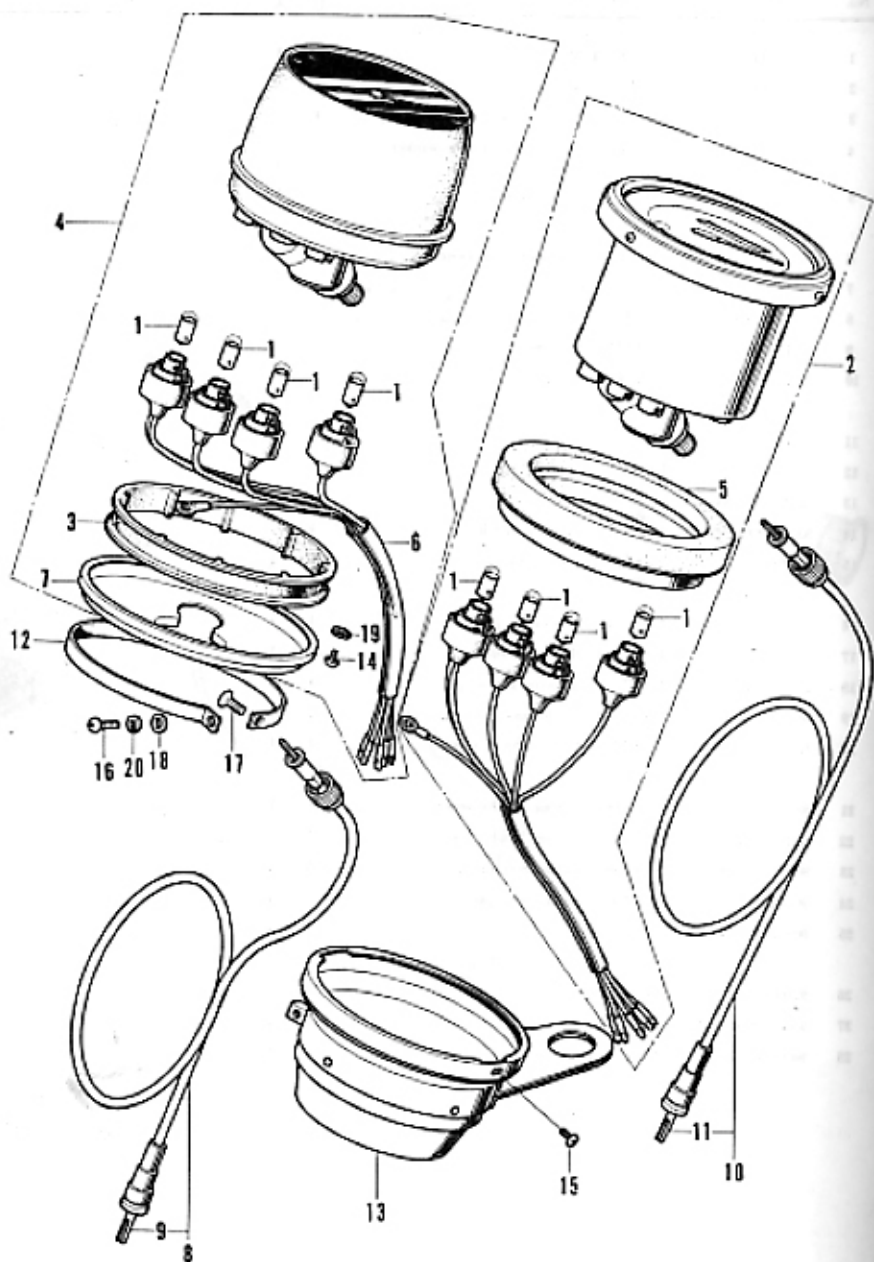


P-2 L/H Handle Switch - Cable

Ref. No.	Part No.	Description	Reqd. No.		Remarks
			C8750P	U A	
1	22870-300-750	CABLE COMP, clutch	-	1	
2	22870-300-790	CABLE COMP, clutch	1	-	
3	35290-310-001	SWITCH ASSY, winker horn (T.E.C.) ...	1	-	
4	35300-292-750	SWITCH ASSY, horn button winker speedometer stop	-	1	
5	35316-259-300	KNOB, horn button switch	-	1	
6	35316-292-750	KNOB, speedometer stop switch.....	-	1	
7	35317-001-310	BUTTON, horn push	1	-	
8	35317-235-000	KNOB, horn switch.....	1	-	
9	35317-259-300	BUTTON, horn button switch push	-	1	
10	35318-259-000	SPRING, push button.....	1	1	
11	45465-270-000	CLIP, front brake wire	1	1	
12	53166-283-000	RUBBER, left grip	1	1	
13	53172-285-000	BRACKET, left handle lever	-	1	
14	53172-300-790	BRACKET, left handle lever	1	-	
15	53176-292-750	LEVER, left steering handle.....	1	1	
16	53180-295-000	CAP, control lever	1	1	
17	53190-295-670	LEVER COMP, left handle	1	1	
18	53192-268-000	BOLT, clutch wire adjust	1	1	
19	88120-074-000	MIRROR, left back	1	1	
20	88440-300-750	CABLE COMP, siren friction.....	1	1	
21	88471-282-010	BRACKET, siren handle lever	-	1	
22	88471-300-790	BRACKET, siren handle lever	1	-	
23	90114-001-000	SCREW, handle lever pivot	1	1	
24	90114-268-020	SCREW, handle lever pivot	1	1	
25	90321-292-000	NUT, fixing	1	1	
26	92000-09025-02	BOLT, hex, 6x25	2	2	
27	93500-05014-0A	SCREW, pan, 5x14	2	2	
28	94001-05020	NUT, hex, 6 mm	2	2	



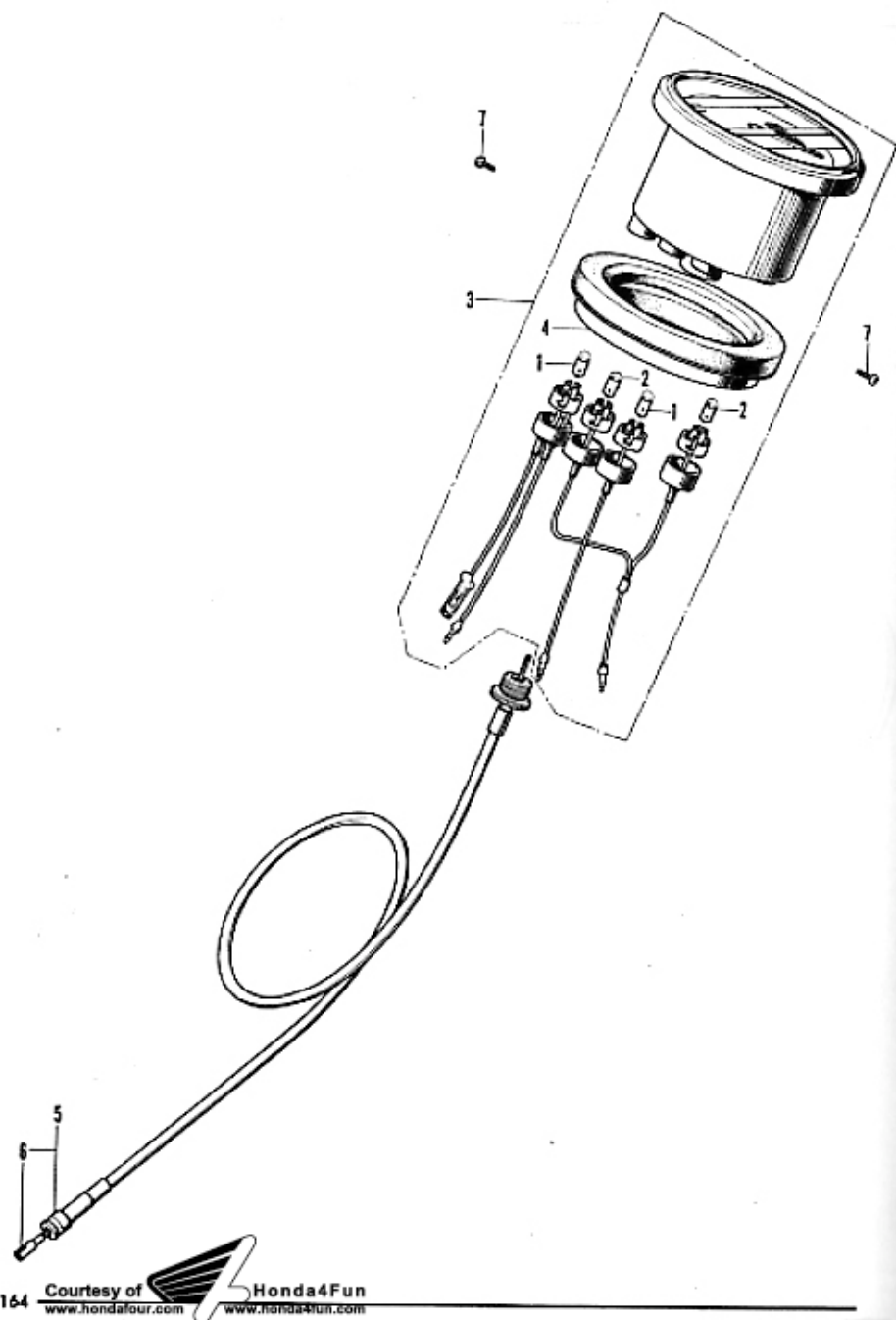
P-3 Speedometer - Tachometer



P-3 Speedometer • Tachometer

Ref. No.	Part No.	Description	Reqd. No.		Remarks
			CB750P	U A	
1	34903-259-000	BULB, dash (12V 3W)	8	-	
2	37230-300-790	SPEEDOMETER ASSY.	1	-	
3	37235-300-029	CUSHION, speedotachometer	1	-	
4	37240-300-020	TACHOMETER ASSY.	1	-	
5	37262-292-790	PACKING, speedometer	1	-	
6	37244-300-008	SOCKET COMP., tachometer	1	-	
7	37246-300-000	PLATE, tachometer under	1	-	
8	37269-300-000	CABLE ASSY., tachometer	1	-	
9	37261-300-000	CABLE, inner	1	-	
10	44830-300-672	CABLE ASSY., speedometer	1	-	
11	44831-300-672	INNER, speedometer cable	1	-	
12	53232-300-000	BRACKET, tachometer	1	-	
13	53240-300-790	STAY COMP., meter setting	1	-	
14	93500-03005-0B	SCREW, pan, 3x5	2	-	
15	93500-04005-0B	SCREW, pan, 4x5	2	-	
16	93500-05020-4J	SCREW, pan, 5x20	1	-	
17	93600-06014-0B	SCREW, flat, 5x14	1	-	
18	94101-05000	WASHER, plain, 5 mm	1	-	
19	94111-01200	WASHER, spring, 3 mm	2	-	
20	94111-05000	WASHER, spring, 5 mm	1	-	

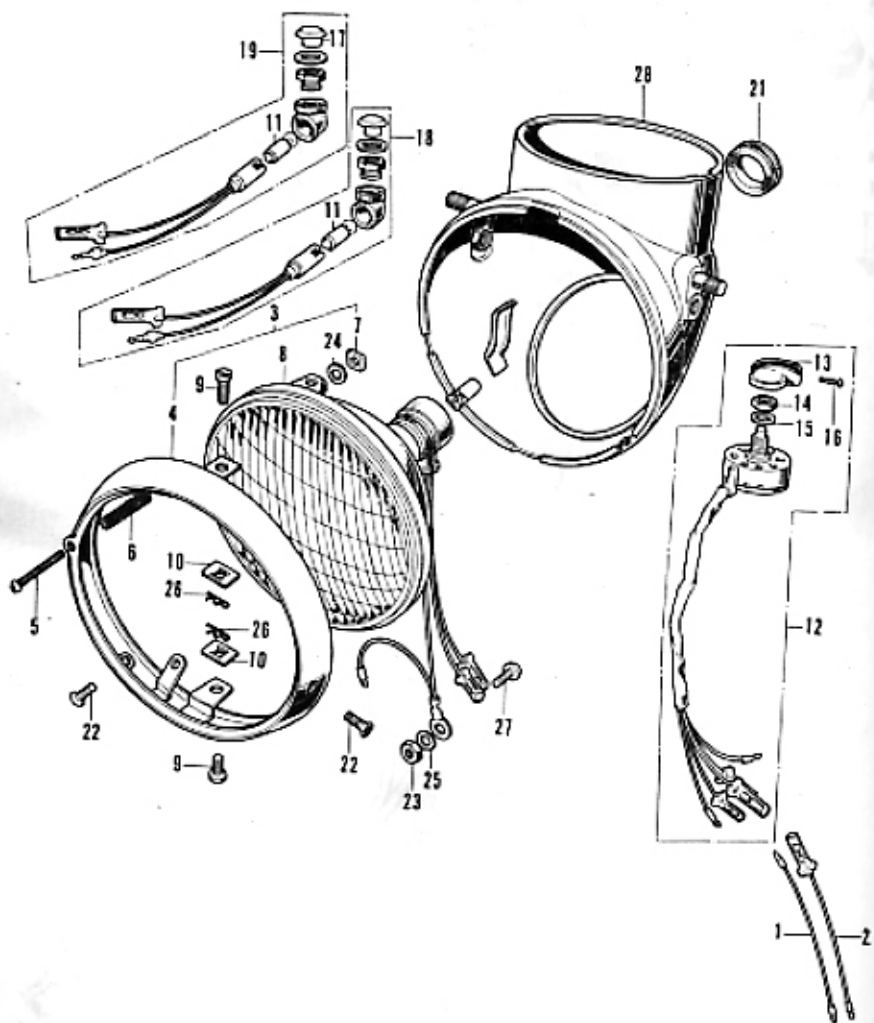
P-4 Speedometer



P-4 Speedometer

Ref. No.	Part No.	Description	Reqd. No.		Remarks
			CB750P	U A	
1	34902-259-000	BULB, dash (12V 3W)	-	2	
2	34902-259-610	BULB, dash (12V 4W)	-	2	
3	37200-300-750	SPEEDOMETER ASSY. (Km)	-	(1)	
	37200-300-770	SPEEDOMETER ASSY. (Mile)	-	(1)	
4	37242-292-750	PACKING, speedometer.....	-	1	
5	44830-300-750	CABLE, speedometer	-	1	
6	44831-300-750	CABLE, inner	-	1	
7	93500-04006-0B	SCREW, pan, 4x5	-	2	

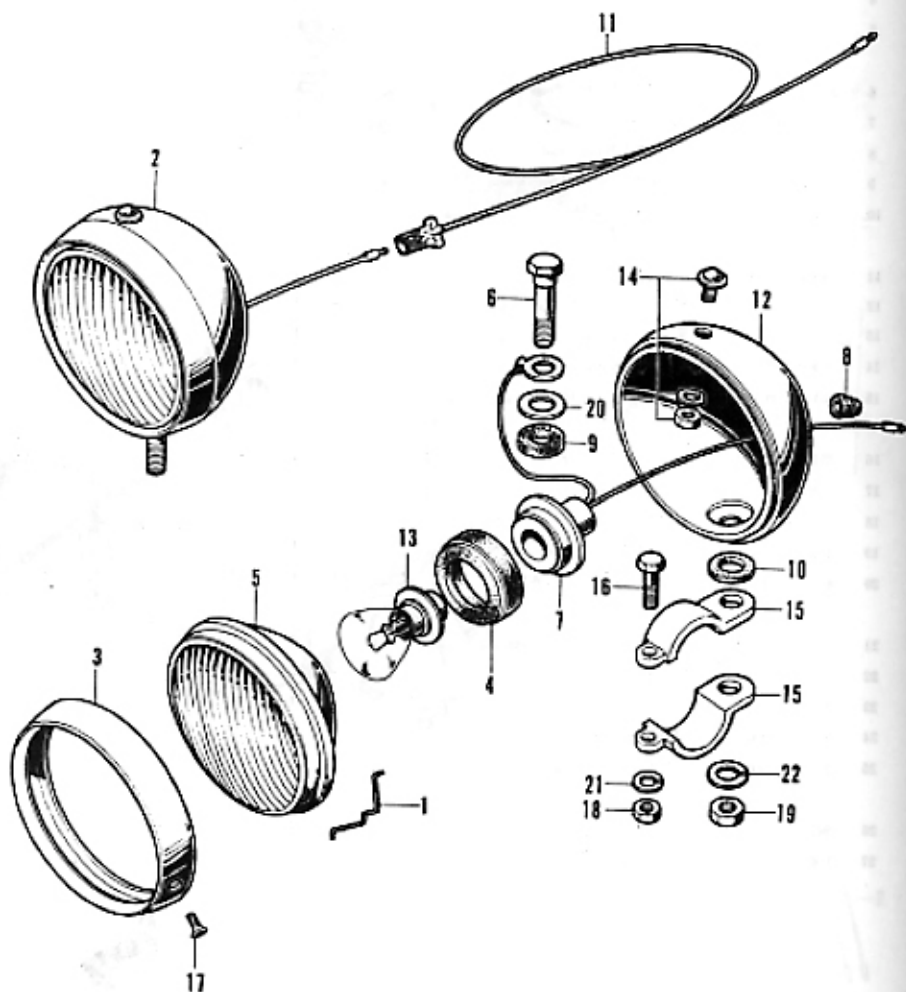
P-5 Head Light



P-5 Head Light

Ref. No.	Part No.	Description	Reqd. No.		Remarks
			CB750 P	U A	
1	32120-300-760	SUB-CORD A, wire harness	-	1	
2	32121-300-750	SUB-CORD B, wire harness	-	1	
3	33100-286-672	LIGHT ASSY., head	-	1	
4	33101-286-670	RIM, head light	-	1	
5	33103-292-003	SCREW, beam adjust	-	1	
6	33107-290-023	SPRING, beam adjust	-	1	
7	33117-292-003	NUT, beam adjust	-	1	
8	33120-292-673	LIGHT UNIT, head	-	1	
9	33125-292-670	SCREW, unit holder, 5mm	-	2	
10	33126-290-030	NUT, unit holder	-	2	
11	34602-258-000	BULB, dash (12V 3W)	-	2	
12	35150-292-771	SWITCH ASSY., lighting	-	1	
13	35151-292-751	KNOB, lighting switch	-	1	
14	35152-292-751	NUT, lighting switch	-	1	
15	35153-298-000	WASHER, lighting switch	-	1	
16	35154-292-751	SCREW, lighting switch set	-	1	
17	37551-044-670	LENS, beam pilot	-	1	
18	37565-300-750	LAMP ASSY., oil pressure pilot	-	1	
19	37570-300-750	LAMP ASSY., beam pilot	-	1	
20	61301-300-750A	CASE, head light (White)	-	1	
21	61302-268-010	GROMMET, tachometer	-	1	
22	60700-05010-0B	SCREW, pan, 5x10	-	2	
23	94001-03000-0S	NUT, hex., 3 mm	-	1	
24	94101-04000	WASHER, plain, 4 mm	-	1	
25	94111-03000	WASHER, spring, 3 mm	-	1	
26	94251-05000	PIN, lock, 5 mm	-	2	
27	99500-03006-0A	BOLT, drain, 3x6	-	1	

P-6 Patrol Lamp

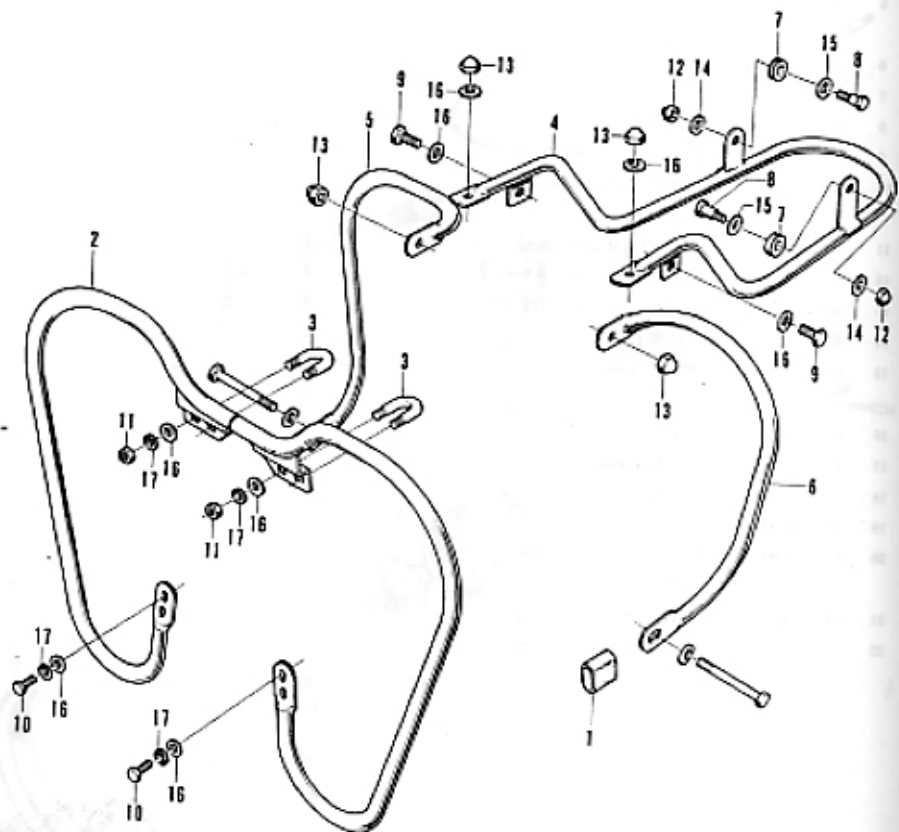


P-6 Patrol Lamp

Ref. No.	Part No.	Description	Reqd. No. CB750P U A	Remarks
1	33104-258-000	SPRING, unit holder	- 6	
2	34450-292-751A	LIGHT ASSY., patrol (White).....	- 2	
3	34451-282-010	RIM, patrol light	- 2	
4	34452-292-750	HOLDER, socket	- 2	
5	34453-292-751	LIGHT UNIT, patrol	- 2	
6	34454-285-000	BOLT, special	- 2	
7	34455-292-750	SOCKET, patrol light.....	- 2	
8	34456-285-000	GROMMET, lead wire	- 2	
9	34457-282-000	CUSHION A, rubber	- 2	
10	34458-285-000	CUSHION B, rubber	- 2	
11	34458-300-750	SUB-CORD, patrol lamp	- 1	
12	34459-285-000A	CASE, patrol light (White)	- 2	
13	34504-282-000	BULB, patrol light (12V 20W).....	- 2	
14	37551-292-750	LENS, patrol lamp	- 2	
15	88491-285-000	PIECE, stress fixing	- 2	
16	92000-05018	BOLT, hex., 6x18	- 1	
17	93700-05010-0B	SCREW, pan, 5x10.....	- 2	
18	94001-06000	NUT, hex., 6 mm	- 1	
19	94001-10000-0S	NUT, hex., 10 mm	- 2	
20	94101-13000	WASHER, plain, 12 mm.....	- 2	
21	94111-05000	WASHER, spring, 6 mm	- 1	
22	94111-10000	WASHER, spring, 10 mm	- 2	



P-7 Bumper

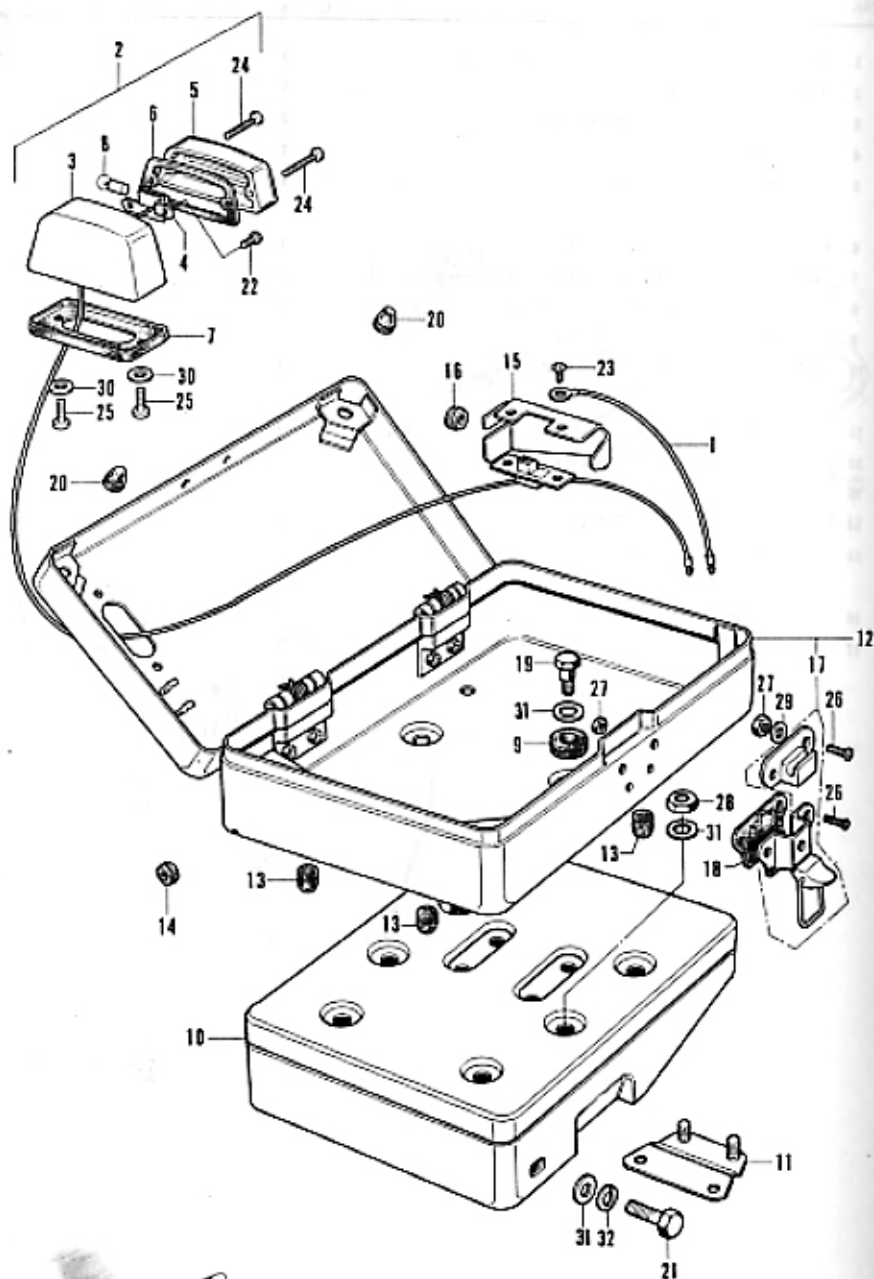


P-7 Bumper

Ref. No.	Part No.	Description	Reqd. No.		Remarks
			CB750P	U A	
1	50525-300-750	RUBBER, main stand stopper	-	1	
2	62501-300-751	BAMPER, front	-	1	
3	62505-300-750	BOLT, front bumper set	-	2	
4	84101-300-750	BAMPER, rear	-	1	
5	84151-300-750	BAMPER, right side	-	1	
6	84152-300-750	BAMPER, left side	-	1	
7	84705-292-000	RUBBER, number bracket cushion	-	2	
8	90162-292-000	BOLT, front fender set	-	2	
9	92000-08016-0B	BOLT, hex, 8 x 16	-	2	
10	92000-08020-0B	BOLT, hex, 8 x 20	-	4	
11	94001-08000-0S	NUT, hex, 8 mm	-	4	
12	94021-06020	NUT, cap, 6 mm	-	2	
13	94021-08020-0S	NUT, cap, 8 mm	-	4	
14	94101-06200	WASHER, plain, 6 mm	-	2	
15	94101-08000	WASHER, plain, 8 mm	-	2	
16	94101-08200	WASHER, plain, 8 mm	-	12	
17	94111-08000	WASHER, spring, 8 mm	-	10	



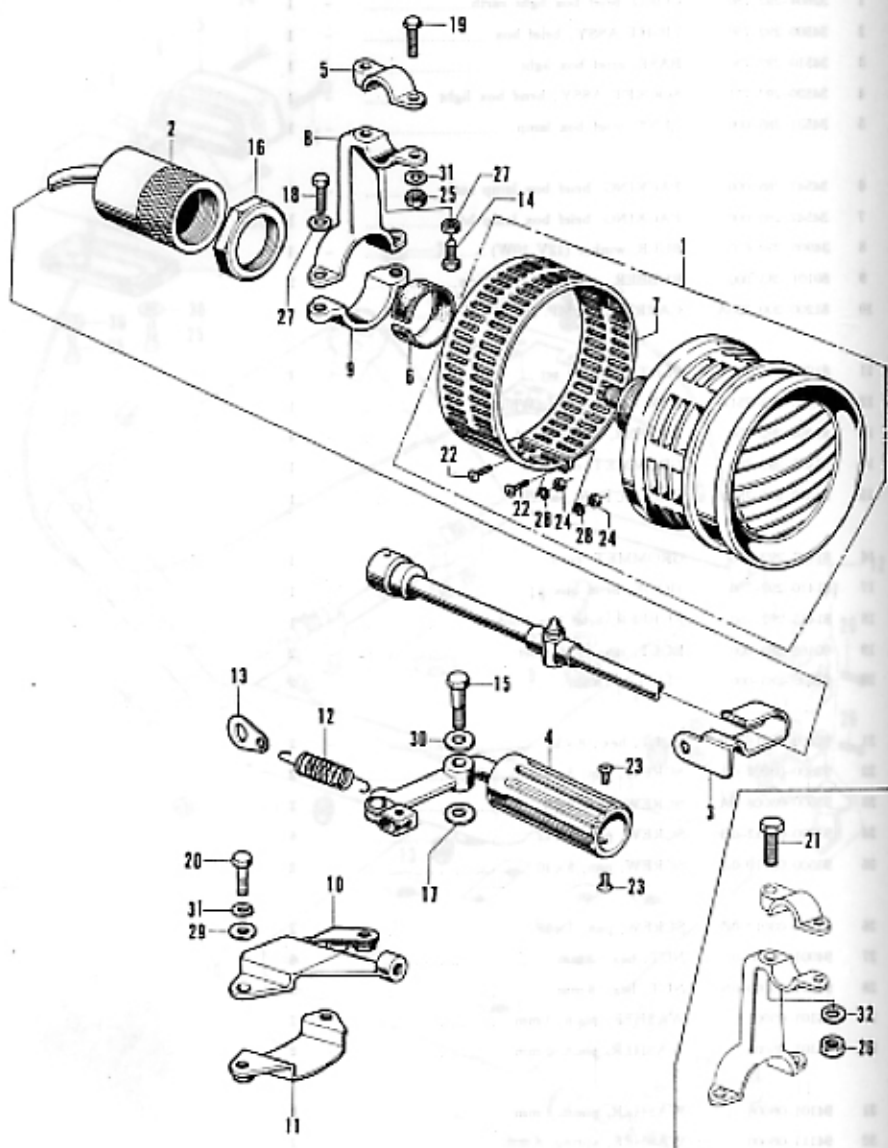
P-8 Brief Box Carrier



P-8 Brief Box Carrier

Ref. No.	Part No.	Description	Reqd. No.		Remarks
			CB750P	U A	
1	32604-292-750	CORD, brief box light earth.....	-	1	
2	34500-292-750	LIGHT ASSY., brief box	-	1	
3	34510-292-750	BASE, brief box light.....	-	1	
4	34520-292-751	SOCKET ASSY., brief box light	-	1	
5	34531-285-000	LENS, brief box lamp	-	1	
6	34541-285-000	PACKING, brief box lamp seal	-	1	
7	34542-285-000	PACKING, brief box lamp base.....	-	1	
8	34905-259-610	BULB, winker (12V 10W).....	-	1	
9	80101-283-000	RUBBER, rear fender cushion.....	-	2	
10	81200-200-750A	CARRIER COMP. (White)	-	1	
11	81201-300-750	PLATE, carrier set	-	1	
12	81400-292-751A	BOX ASSY., brief (White)	-	1	
13	81404-292-750	RUBBER, shock proof	-	4	
14	81406-292-750	GROMMET, cord	-	1	
15	81406-292-751	PROTECTOR, switch.....	-	1	
16	81407-292-750	GROMMET, cord.....	-	1	
17	81410-292-750	HOOK, brief box.....	-	1	
18	81415-292-750	RUBBER, brief box hook	-	1	
19	90162-283-000	BOLT, rear fender set	-	2	
20	90899-283-000	PLUG, conn	-	2	
21	92000-08016-0B	BOLT, hex., 8x16	-	2	
22	93500-03004-0A	SCREW, pan, 3x4	-	2	
23	93500-03008-0A	SCREW, pan, 3x8	-	2	
24	93500-03012-0B	SCREW, pan, 3x12.....	-	6	
25	93500-05010-0A	SCREW, pan, 5x10.....	-	2	
26	93700-03012-0B	SCREW, pan, 3x12.....	-	2	
27	94001-03000-0S	NUT, hex., 3 mm	-	6	
28	94001-08000-0S	NUT, hex., 8 mm	-	2	
29	94101-03000	WASHER, plain, 3 mm	-	2	
30	94101-05000	WASHER, plain, 5 mm	-	2	
31	94101-08000	WASHER, plain, 8 mm	-	6	
32	94111-08000	WASHER, spring, 8 mm	-	2	

P-9 Siren - Friction Drum



P-9 Siren - Friction Drum

Ref. No.	Part No.	Description	Reqd. No.		Remarks
			CB750P	U A	
1	85400-285-000	SIREN ASSY.	1	1	
2	88420-300-750	CABLE COMP., siren	1	1	
3	88422-300-750	CLAMPER, siren cable	1	1	
4	88430-292-751	DRUM COMP., siren friction	1	1	
5	88451-285-000	PIECE, siren fixing	1	1	
6	88452-282-000	RUBBER, siren shock mount	1	1	
7	88453-285-000	COVER, siren	1	1	
8	88453-292-750	BRACKET, siren fixing	1	1	
9	88455-292-750	HOLDER, siren fixing bracket	1	1	
10	88462-300-750	BRACKET A, friction drum	1	1	
11	88463-300-750	BRACKET B, friction drum	1	1	
12	88465-292-750	SPRING, friction drum return	1	1	
13	88467-292-750	HOOK, spring	1	1	
14	90163-285-000	BOLT, siren fixing piece	2	2	
15	90166-292-751	BOLT, special, 8mm	1	1	
16	90222-282-000	NUT, siren cable fixing	1	1	
17	90485-035-000	WASHER, 14 mm	1	1	
18	92000-06018	BOLT, hex., 6x18	2	2	
19	92000-06022	BOLT, hex., 6x22	1	1	
20	92000-06025	BOLT, hex., 6x25	2	2	
21	92000-10045-0A	BOLT, hex., 10x45	1	-	
22	93500-04008-0B	SCREW, pan, 4x8	2	2	
23	93700-05008-0A	SCREW, pan, 5x8	2	2	
24	94001-04000-05	NUT, hex., 4 mm	2	2	
25	94001-05000	NUT, hex., 6 mm	1	1	
26	94001-10000-05	NUT, hex., 10 mm	1	-	
27	94002-05000	NUT, hex., 6 mm	1	1	
28	94101-04000	WASHER, plain, 4 mm	-	2	
29	94101-05000	WASHER, plain, 6 mm	-	2	
30	94102-10000	WASHER, plain, 10 mm	-	1	
31	94111-05000	WASHER, spring, 6mm	-	3	
32	94111-10000	WASHER, spring, 10 mm	1	-	



P-10 Other Parts
(Part number in block is used basic models)

Reference Page No.	Part No.	Description	Reqd. No. CB750P U A	Remarks
E-1 Cylinder Head Cover				
3	12412-300-750	CAP, tachometer gear.....	- 1	Newly provided
F-3 Handle - Top Bridge				
69	1	53100-300-750 PIPE, steering handle..... (53100-300-000)	- 1	
69	3	53131-283-000 HOLDER, handle pipe..... (53131-300-000)	- 1	
69	4	53230-300-750 BRIDGE, fork top..... (53230-300-673)	- 1	
69		53139-292-009 HOLDER, cable.....	1 1	Newly provided
F-5 Front Brake Hose				
73	3	45126-300-750 HOSE B, front brake..... (45126-360-430)	- 1	
F-8 Front Cushion				
79	3	51400-300-750A FORK ASSY., right front (White)..... (51400-300-030)	- 1	
79	5	51430-300-752A CASE COMP., right front fork (White)... (51430-319-010)	- 1	
79	15	51500-300-750A FORK ASSY., left front (White)..... (51500-300-030)	- 1	
79	16	51520-300-752A CASE COMP., left front fork (White) ... (51520-319-010)	- 1	
79	18	51602-300-672B COVER, right front fork (Black)..... (51602-300-672AZ, CM, CQ, EE, EF, EG)	1 -	
79	18	51602-300-750A COVER, right front fork (White)..... (51602-300-672AZ, CM, CQ, EE, EF, EG)	- 1	
81	19	51606-300-672B COVER, left front fork (Black)..... (51606-300-672AZ, CM, CR, EE, EF, EG)	1 -	
81	19	51606-300-750A COVER, left front fork (White)..... (51606-300-672AZ, CM, CQ, EE, EF, EG)	- 1	
81	24	90123-300-000 BOLT, front fork.....	1 -	Used on right side
81		90123-300-750 BOLT, front fork.....	1 -	Used on left side
F-9 Steering Stem				
83	5	53200-300-630A STEM COMP., steering (White)..... (53200-300-008)	- 1	

P-10 Other Parts
(Part number in block is used basic models)

Reference Page No.	Part No.	Description	Repl. No. CB750P U A	Remarks
F-10 Front Fender				
85	2	61100-300-750A FENDER COMP., front (White)..... (61100-300-045XW)	- 1	
F-11 Fuel Tank - Cock				
87	10	17500-300-751A TANK COMP., fuel (White)..... (17500-300-040AZ, CM, CQ, EE, EF, EG)	- 1	
87	10	17500-300-750B TANK COMP., fuel (Black)..... (17500-300-040AZ, CM, CQ, EE, EF, EG)	1 -	
89	26	87121-300-750 EMBLEM, right fuel tank..... (87121-300-030)	- 1	
89	27	87122-300-750 EMBLEM, left fuel tank..... (87122-300-030)	- 1	
F-12 Double Seat				
91	1	77100-300-751A SEAT COMP., single (Black)..... (77200-300-000A)	- 1	
91	5	77205-286-000 RUBBER B, seat set.....	- 2	
F-14 Oil Tank - Tank & Battery Cover				
97	9	83600-300-030A COVER, battery (White)..... (83600-300-030AZ, CM, CB, EE, EF, EG)	- 1	
97	9	83600-300-030B COVER, battery (Black)..... (83600-300-030AZ, CM, CQ, EE, EF, EG)	1 -	
97	10	83700-300-030A COVER, oil tank (White)..... (83700-300-030AZ, CM, CQ, EE, EF, EG)	- 1	
97	10	83700-300-030B COVER, oil tank (Black)..... (83700-300-030AS, CM, CQ, EE, EF, EG)	1 -	
F-15 Right Side Exhaust Muffler				
101	14	(50711-300-010).....	- 0	
101	15	(50712-024-000).....	- 0	
101	16	(50714-300-000).....	- 0	
101	17	(50715-281-000).....	- 0	
101	18	(50731-024-000).....	- 0	
103	25	94101-06000 WASHER, plain, 6 mm.....	- 5	
103	28	(94201-16150).....	- 0	



P-10 Other Parts
(Part number in block is used basic models)

Reference Page No.	Part No.	Description	Reqd. No. CD750P U A	Remarks
F-16 Left Side Exhaust Muffler				
105	16	(50711-300-010)	- 0	
105	17	(50712-024-000)	- 0	
105	18	(50714-300-000)	- 0	
105	19	(50715-281-000)	- 0	
105	20	(50731-024-000)	- 0	
107	27	94101-06000 WASHER, plain, 6 mm	- 5	
107	30	(94201-16150)	- 0	
F-19 Rear Cushion				
115	2	52400-300-020A CUSHION ASSY., rear (White)	- 2	
		(5240-900-020XW)		
115	5	52421-300-000A CASE, rear cushion upper (White)	- 2	
		(52421-300-000XW)		
115	11	93300-10002-0B BOLT, hex., 10 x 32	- 1	
115		93300-10040-0A BOLT, hex., 10 x 40	- 0	Newly provided
		(93316-300-030)	- 0	
F-20 Rear Fork - Chain Case				
117	1	40510-300-750A CASE, drive chain (White)	- 1	
		(40510-300-050B)		
117	8	52100-300-050A FORK COMP., rear (White)	- 1	
		(52100-300-050B)		
F-21 Rear Fender				
121	3	80100-300-751A FENDER A, rear (White)	- 1	
		(80100-300-010XW)		
121	8	80105-300-751 FENDER B, rear	- 1	
		(80105-300-010)		
121	8	80105-300-790 FENDER B, rear	- 1	
		(80105-300-010)		
F-23 Head Light				
125	10	61301-300-010B CASE, head light (Black)	1 -	
		(61301-300-010AZ, CM, CQ, EE, EF, EG)		

F-10 Other Parts
(Part number in block is used basic model)

Reference Page No.	Part No.	Description	Repl. No. C0750P U A	Remarks
F-27 Front Winker				
133 14		(61303-292-000)	- 0	
133 15		(90154-268-670)	- 0	
133 21		(94101-10000)	- 0	
133 22		(94111-10000)	- 0	
F-30 Wire Harness				
139 7	32100-300-750	HARNES, wire	- 1	
		(32100-300-060)		
139 11	35010-292-751	SWITCH-KID, combination	- 1	
		(35010-313-003)		
139 12		(35100-313-003)	- 0	
139 15	38100-300-750	HORN ASSY.	- 1	
		(38100-300-022)		
139 17	50375-300-000A	BRACKET, combination switch	- 1	
		(50375-300-000B)		
		(50462-300-000)	- 0	
F-36 Frame				
151 1	50100-300-730A	BODY COMP., frame (White)	- 1	
		(50100-300-060B)		
151 1	50100-300-730B	BODY COMP., frame (Black)	1 -	
		(50100-300-060B)		
152 5	50051-300-040A	PLATE, front engine hanger	- 1	
		(50051-300-040)		
153 6	50056-300-010A	PLATE, rear engine hanger	- 1	
		(50056-300-010)		
151 12	90156-300-750	BOLT C, engine hanger	1 1	
		(90156-300-000)		

PART NO. INDEX

Part No.	Page	Part No.	Page	Part No.	Page
06000		12251-300-020	9	13495-300-000	39
06161-300-313	53	12251-300-030	9		45
		12310-300-040	3	13496-300-000	35
		12321-300-010	3	13520-300-010	35
		12321-300-020	3		
		12329-300-020	3		
		12361-300-000	3		
		12391-300-030	3		
		12431-300-010	3		
		12435-300-003	3		
11000		12442-300-750	176	14000	
11010-300-070	47	12620-296-000	9	14101-300-020	7
11010-300-110	47		13	14321-300-010	15
11010-300-405	47			14401-296-003	15
11010-300-415	47			14431-300-030	5
11204-300-010	47			14432-300-030	5
11210-300-040	31			14461-300-000	5
11210-300-050	31			14461-300-010	5
11342-300-040	19			14462-300-000	5
11342-300-050	19	13000		14500-300-000	15
11348-300-010	19	13000-300-050	37	14530-300-010	15
11351-300-020	27	13011-300-013	13	14541-293-000	15
11351-300-040	27	13021-300-013	13	14550-300-020	15
11351-300-060	27	13031-300-013	13	14550-300-030	15
11353-300-010	27	13041-300-013	13	14592-300-000	15
11354-300-000	27	13051-300-013	13	14601-312-000	15
11354-300-010	27	13101-300-020	13	14605-296-020	15
11360-300-030	27	13102-300-020	13	14606-296-000	15
11360-300-040	27	13103-300-020	13	14607-300-000	15
11395-300-020	27	13104-300-020	13	14611-312-000	15
11395-300-303	27	13105-300-020	13	14612-296-000	15
11395-300-040	19	13111-300-000	13	14711-300-005	5
11395-300-303	19	13115-250-010	13	14721-300-005	5
11397-300-303	23	13201-300-000	37	14751-300-000	5
11398-300-030	31	13202-300-000	37	14761-300-000	5
11398-300-303	31	13203-300-000	37	14771-551-020	5
11631-300-040	23	13204-300-000	37	14775-300-000	5
		13205-300-000	37	14781-551-000	5
		13206-300-000	37		
		13207-300-000	37		
		13208-300-000	37		
		13209-300-000	37		
		13210-300-000	37	15000	
		13213-300-020	37	15010-300-000	33
12000		13214-300-000	37	15100-300-000	33
12010-300-020	7	13215-300-013	37	15105-300-010	33
12010-300-030	7	13216-300-013	37	15135-300-010	33
12025-300-300	9	13218-300-013	37	15140-300-010	33
12027-300-300	9	13315-300-013	37-2	15145-300-000	33
12027-300-310	9	13316-300-013	37-2	15147-300-000	33
12100-300-020	13	13317-300-013	37-2	15150-300-000	33
12100-300-030	13	13318-300-013	37-2	15155-300-000	33
12191-300-020	13	13491-259-000	45	15161-300-000	33
12200-300-040	9	13491-300-000	45	15166-300-000	33
12200-300-060	9				
12200-300-070	9				
12209-300-000	5				
12211-250-310	9				

PART NO. INDEX

Part No.	Page	Part No.	Page	Part No.	Page
17214-300-040CQ	93	17613-292-000	89	22000	
17215-300-010	93	17631-253-000	97	22100-300-010	21
17215-300-020	93	17910-300-030	65	22100-300-020	21
17215-300-030	93	17910-300-040	65	22120-300-020	21
17216-300-010	93	17910-300-610	65	22151-300-000	21
17216-300-020	93	17910-300-751	159	22201-300-000	21
17216-300-030	93	17920-300-000	65	22311-292-000	21
17217-300-320	93	17920-300-610	65	22321-283-000	21
17218-300-320	93	17920-300-750	159	22350-300-010	21
17219-300-000	93	17993-250-000	89	22360-300-010	21
17219-300-010	93			22401-268-000	21
17220-300-000	93			22401-275-000	21
17221-300-000	93			22401-300-000	21
17231-300-020AZ	93			22402-300-303	21
17231-300-020CM	93	18000		22431-300-000	21
17231-300-020CQ	93	18231-300-010	101	22810-300-000	19
17231-300-300CQ	93	18232-300-010	105	22815-300-000	19
17231-300-620AZ	93	18236-300-010	101	22820-300-000	19
17231-300-620CM	93			22830-300-000	19
17247-303-000	97	18236-300-020	101	22841-300-000	19
17253-300-330	93			22848-300-000	21
17255-230-000	95	18291-254-000	101	22860-300-008	19
17255-300-000	9			22870-300-000	67
17255-300-010	9	18292-290-000	101	22870-300-610	67
17500-300-030AZ	87			22870-300-750	161
17500-300-030CM	87	18300-300-040	105	22870-300-790	161
17500-300-030CQ	87	18300-300-345	105		
17500-300-030EE	87	18300-300-620	105	23000	
17500-300-030EF	87	18311-300-320	101	23110-300-030	35
17500-300-030EG	87			23131-300-015	35
17500-300-040AZ	87	18315-300-010	101	23150-300-010	41
17500-300-040CM	87			23210-300-000	39
17500-300-040CQ	87	18315-300-020	101	23220-300-010	39
17500-300-040EE	87			23314-319-300	45
17500-300-040EF	87	18350-300-030	105	23421-300-050	39
17500-300-040FG	87	18350-300-620	105	23425-300-010	39
17500-300-751A	177	18400-300-030	101	23431-300-010	39
17500-300-790B	177	18400-300-620	101	23440-300-010	39
17510-300-163	87	18450-300-030	101	23450-300-010	39
17513-300-300	87	18450-300-040	101	23460-300-010	39
17515-300-300	87	18450-300-345	101	23471-300-010	39
17516-300-300	87	18450-300-620	101	23481-300-020	39
17517-300-330	87	18472-300-000	101	23485-300-020	39
17517-300-340	87			23491-300-010	39
17520-300-300	87	18473-300-000	101	23501-300-030	39
17521-300-000	87			23511-300-020	45
17521-300-010	87			23520-300-010	45
17522-300-000	87			23520-300-020	45
17522-300-010	87			23520-300-305	45
17523-300-000	87				
17524-300-000	87				
17525-300-000	89				
17526-300-000	89				
17611-283-010	89				



PART NO. INDEX

Part No.	Page	Part No.	Page	Part No.	Page
23523-300-300	45				
23523-300-310	45				
23524-300-300	45				
23524-300-310	45				
23525-300-000	45				
23526-300-300	45				
23801-300-000	45				
23801-300-305	45				
23801-300-620	45				
23811-292-000	45				
		28000			
		28101-300-000	25	30700-300-620	9
		28106-300-000	25	30710-300-010	9
		28109-300-000	25	30710-300-620	9
		28110-300-000	25		
		28120-300-000	23		
		28125-516-030	23		
		28126-516-020	23	31000	
		28128-516-000	23	31101-300-035	23
		28210-300-000	43	31102-300-035	23
		28241-300-010	43	31103-300-035	23
		28250-300-020	43	31110-300-000	23
		28251-300-030	43	31200-300-030	25
		28252-300-020	43	31201-292-158	25
		28253-300-000	43	31204-292-158	25
		28254-300-000	43	31205-288-158	25
		28255-300-000	43	31206-288-158	25
		28256-300-000	43	31270-300-000	25
		28281-300-010	43	31280-300-000	25
		28292-250-010	43	31282-300-020	25
		28293-250-000	43	31283-300-000	25
		28300-300-000	43	31400-300-035	141
		28311-250-000	43	31403-300-000	141
		28321-300-000	43	31500-300-670	141
		28333-300-000	43	31700-300-035	141
24000		30000		32000	
24211-300-020	41	30151-300-000	139	32100-300-040	139
24212-300-020	41	30152-300-000	139	32100-300-050	139
24213-300-020	41	30200-300-005	17	32100-300-750	179
24261-300-030	41	30200-300-015	17	32101-300-620	67
24301-300-030	41	30201-300-005	17	32110-300-000	141
24321-300-000	41	30201-300-015	17	32111-300-000	31
24326-300-000	41	30203-300-005	17	32116-300-010	23
24430-300-020	29	30204-300-005	17	32120-300-750	167
24430-300-030	29	30205-003-005	17	32121-300-750	167
24430-300-040	29	30215-300-005	17	32161-288-000	67
24434-300-000	29	30220-300-005	17		
24435-300-030	29	30231-300-010	17	32162-283-000	139
24436-300-000	29	30233-300-000	17	32401-300-010	141
24436-300-010	29	30250-300-005	17	32411-253-000	25
24437-300-000	29	30254-300-300	17	32412-300-010	141
24438-300-000	41	30370-300-020	17	32413-300-010	141
24440-300-010	29	30372-300-300	17	32601-300-000	141
24440-300-020	29	30500-300-013	139	32604-292-750	173
24441-300-010	41	30501-300-013	139	32983-011-000	121
24441-300-020	41	30502-300-013	139	32985-292-000	121
24443-300-000	41	30511-300-000	139		
24444-300-000	41	30700-300-010	9		
24445-300-010	29				
24445-300-020	29				
24447-300-000	29				
24610-300-010	29				
24641-300-000	29				
24651-300-020	29				
24652-300-000	29				
24661-300-000	29				
24663-300-000	29				
24666-300-000	29				
24701-300-020	29				
24781-205-000	29				

PART NO. INDEX

Part No.	Page	Part No.	Page	Part No.	Page
33000		33321-505-003	131	33702-077-671	149
		33321-533-611	127	33702-292-003	145
33100-286-672	167	33321-533-621	129	33702-302-003	149
33100-300-043	125	33322-533-721	129	33703-077-671	149
33100-300-600	127	33400-292-611	137	33703-303-003	149
33100-300-610	127	33400-292-670	133	33707-292-013	145
33100-300-621	129	33400-317-730	133	33707-292-610	147
33100-300-673	131		135	33707-300-610	147
33100-300-690	129	33401-292-003	133	33708-077-671	149
33101-266-670	167		135	33708-292-610	147
33101-300-043	125	33402-268-610	137	33708-300-610	147
33101-300-673	127	33402-268-671	133	33709-041-000	145
	129		135	33709-051-000	147
	131	33402-292-003	133	33709-077-671	149
33103-292-003	167		135	33710-292-610	147
33103-300-003	125	33407-284-000	133	33710-300-610	147
	127		135	33711-300-000	149
	129	33408-284-000	133	33711-300-600	145
	131		135	33712-300-003	149
33107-200-023	167	33410-292-610	137	33712-300-600	145
33107-300-003	125	33411-285-000	137	33713-300-000	149
	127	33413-285-000	137	33713-300-600	145
	129	33443-268-671	133	33714-300-610	137
	131		135	33715-051-000	147
33108-268-000	169	33450-292-611	137	33715-300-610	137
33108-568-610	127	33450-292-670	133	33716-051-000	147
3317-292-003	125	33450-317-730	133	33717-292-610	147
	127		135	33718-077-671	149
	129	33453-292-003	133	33719-077-671	149
	131		135	33719-292-000	145
	167	33460-292-610	137	33720-300-000	139
33120-292-673	167	33500-292-610	137	33741-286-670	79
33120-300-013	125	33600-300-000	135	33741-292-610	147
33121-300-672	127	33605-292-610	137	33743-286-670	79
	129	33607-292-000B	135		
	131	33608-286-000	135		
33123-568-740	129	33608-300-000	135		
33125-292-670	125	33610-292-610	137		
	127	33610-300-000	135		
	129	33610-300-610	137		
	131	33615-300-730	135		
	167	33620-300-000	135		
33128-200-030	125	33650-292-610	137		
	167	33650-300-000	135		
33128-292-670	127	33660-292-610	137		
	129	33660-300-000	135		
	131	33660-300-610	137		
33130-300-003	125	33665-300-730	135		
	131	33700-292-600	145		
33130-300-611	127	33700-300-610	147		
33130-300-621	129	33701-041-601	145		
33153-300-622	127	33701-051-000	147		
	129	33701-300-671	149		
33153-300-671	131	33701-300-730	149		
				34000	
				34450-292-751A	169
				34451-282-010	169
				34452-292-750	169
				34453-292-751	169
				34454-285-000	169
				34455-292-750	169
				34456-285-000	169
				34457-282-000	169
				34458-285-000	169
				34458-300-750	169
				34459-285-000A	169
				34500-292-750	173
				34510-292-750	173
				34520-292-751	173

PART NO. INDEX

Part No	Page	Part No	Page	Part No	Page
34531-285-000	173	35317-259-300	159	38000	
34541-285-000	173		161		
34542-285-000	173	35318-259-000	65	38100-300-013	139
34901-259-611	127		67	38100-300-020	139
34902-259-000	123		159	38100-300-620	139
	163		161	38100-300-621	139
	165	35350-292-003	139	38100-300-750	179
	167	35350-300-006	73	38101-300-620	67
34902-259-610	127	35350-300-016	73	38201-250-000	141
	165	35357-300-000	139	38300-300-000	141
34904-282-000	169	35500-300-000	25	38300-300-610	141
34905-259-610	173	35752-300-010	41	38300-292-670	141
34905-268-671	133	35754-300-020	41	38306-292-000	141
	135	35800-300-770	159	38306-292-670	141
34906-268-810	145	35850-300-670	141		
	149	35851-300-000	141		
35000		37000		40000	
35010-292-751	180	37200-300-750	165	40510-300-040B	117
35010-300-003	139	37200-300-770	165	40510-300-050B	117
35100-300-003	139	37230-300-621	123	40510-300-750A	178
35150-292-771	167	37230-300-622	123	40511-300-000	117
35150-300-620	67	37230-300-671	123	40512-300-000	117
35150-300-730	67	37230-300-672	123	40530-300-003	117
35151-292-751	167	37230-300-672	123	40530-300-503	117
35152-292-751	167	37230-300-790	163	40530-300-810	117
35152-292-751	167	37234-300-009	123	40531-300-003	117
35153-268-000	167	37235-300-009	123	40531-300-305	117
35154-292-751	167	37235-300-019	123	40531-300-315	117
35250-300-033	67	37235-300-029	123	40531-300-750	117
35250-300-620	67		163	40531-300-751	117
35250-310-003	161	37236-300-009	123	40543-300-000	111
35300-292-750	161	37237-300-000	123	40548-268-000	117
35300-300-043	65	37240-300-019	123		
35300-300-053	65	37240-300-020	123		
35300-300-620	65		163		
35300-300-621	65	37242-292-750	163		
35300-300-672	65		165		
35300-300-674	65	37244-300-009	123	41000	
35300-300-730	65		163	41201-300-870	111
35315-235-000	65	37248-300-009	123	41205-300-000	111
35316-259-300	159		163	41211-300-000	111
	161	37260-300-000	123	41231-283-000	111
35316-292-750	159		163	41231-300-020	111
	161	37261-300-000	123	41241-300-030	111
35317-001-310	65		163	41241-300-040	111
	67	37551-044-670	167	41242-300-000	111
	161	37551-292-750	169	41242-300-010	111
35317-235-000	67	37565-300-750	167	41242-300-020	111
	161	37570-300-750	167		

PART NO. INDEX

Part No	Page	Part No	Page	Part No	Page
42000		44607-300-003	77	45125-300-020	73
42301-300-000	111	44608-283-000	77	45126-300-020	73
42301-300-010	111		113	45126-300-030	73
42311-300-010	111	44609-283-000	77	45126-300-610	73
42313-300-020	111		113	45126-300-611	73
42601-300-020	111	44620-300-020	77	45126-300-750	176
42601-300-030	111	44641-300-000	77	45127-300-020	73
42605-300-000	111	44641-300-010	77	45128-300-010	73
42606-300-003	111	44641-300-020	77	45129-300-000	73
42607-300-003	111	44642-300-000	77	45145-300-020	73
42610-300-030	111	44642-300-010	77	45148-300-000	73
42620-300-010	111	44642-300-020	77	45151-300-000	75
42701-300-013	111	44643-300-000	77	45451-283-000	85
42711-300-003	111	44701-300-013	77	45465-270-000	159
42711-300-004	111	44711-300-003	77		161
42712-300-000	111	44711-300-004	77	45465-300-000	83
42713-300-000	111	44712-300-000	77	45500-300-030	71
		44713-300-000	77	45500-300-040	71
		44800-300-020	77	45500-300-050	71
		44800-300-030	77	45500-300-621	71
		44830-300-010	123	45500-300-622	71
		44830-300-672	123	45500-300-623	71
			163	45502-300-305	71
		44830-300-750	165	45504-300-003	71
43000		44831-300-000	123	45505-300-003	71
43100-300-020	109	44831-300-672	123	45506-300-003	71
43100-300-030	109		163	45512-300-003	71
43102-319-000	109	44831-300-750	165	45513-300-020	71
43106-222-300	109			45517-300-003	71
43120-300-010	109			45518-300-003	71
43134-300-000	109			45520-300-000	71
43141-300-010	109			45521-300-010	71
43151-283-000	109			45522-300-010	73
43110-300-020	109	45000		45525-300-010	71
43431-288-010	117	45100-300-023	75	45526-300-020	71
43451-300-010	109	45100-300-023B	75	45527-300-000	71
43453-250-000	109	45101-300-033	75		
43471-292-010	109	45101-300-043	75	46000	
43472-212-000	109	45101-300-053	75	46125-533-003	71
43486-250-000	109	45102-300-033	75	46140-533-003	71
		45102-300-043	75	46500-300-010	109
		45104-300-040	75	46510-300-010	109
		45105-300-040	75	46514-300-000	109
		45106-300-040	75		
44000		45107-300-003	75		
44301-300-000	77	45108-300-003	75		
44311-300-000	77	45109-300-003	75		
44801-300-030	77	45110-300-003	75		
44801-300-040	77	45115-300-030	75		
44806-283-000	77	45116-300-030	75		
	113	45117-300-020	75		
44805-300-003	77	45119-300-020	75		
44807-283-000	77	45120-300-040	75		
	113	45125-300-010	73		

PART NO. INDEX

Part No.	Page	Part No.	Page	Part No.	Page
80000		83700-300-020CQ	97	87311-516-030	89
80100-300-020XW	121	83700-300-030AZ	97	87501-300-610	153
80100-300-030XW	121	83700-300-030CM	97	87501-300-621	153
80100-300-600XW	121	83700-300-030CQ	97	87505-300-670	121
80100-300-610XW	121	83700-300-030EE	97		
80100-300-620XW	121	83700-300-030EF	97		
80100-300-730XW	121	83700-300-030EG	97		
80100-300-731XW	121			88000	
80100-300-751A	178			88110-074-000	65
80101-283-000	173				159
80102-292-670	137	84000		88110-300-000	65
80105-300-000	121			88120-074-000	67
80105-300-010	121	84101-300-750	171		161
80105-300-751	178	84151-300-750	171	88120-300-000	67
80105-300-790	178	84152-300-750	171	88400-285-000	175
80121-300-730	121	84701-300-010XW	149	88420-300-750	175
		84701-300-020XW	149	88422-300-750	175
		84701-300-600B	145	88430-292-751	175
		84701-300-611B	147	88440-300-750	161
		84701-300-671XW	149	88451-285-000	169
		84701-300-672XW	149		175
		84702-300-000	149	88452-282-000	175
		84702-300-010	149	88453-285-000	175
		84705-292-000	145	88453-292-750	175
			147	88455-292-750	175
			171	88462-300-750	175
81000		84705-300-620	149	88463-300-750	175
81200-200-750A	173	84706-286-000	141	88466-292-750	175
81201-300-750	173		149	88467-292-750	175
81400-292-751A	173	84710-300-620	149-2	88471-282-010	161
81404-292-750	173			88471-300-780	161
81405-292-750	173				
81406-292-751	173				
81407-292-750	173				
81410-292-750	173				
81415-292-750	173				
		87000		89000	
		87121-300-020	89	89010-300-000	155
83000		87121-300-030	89	89101-300-010	155
83551-300-000	97	87121-300-750	177	89202-283-000	155
83600-300-030A	177	87122-300-020	89	89203-283-000	155
83600-300-030B	177	87122-300-030	89	89206-283-000	155
83600-300-020AZ	97	87122-300-750	177	89216-300-000	155
83600-300-020CM	97	87123-300-020B	97	89231-001-000	155
83600-300-020CQ	97	87123-300-020DM	97	89232-300-000	155
83600-300-030AZ	97	87123-300-030	97	89235-253-000	155
83600-300-030CM	97	87124-300-020B	97		
83600-300-030CQ	97	87124-300-020DM	97		
83600-300-030EE	97	87124-300-030	97		
83600-300-030EF	97	87125-041-680	153		
83600-300-030EG	97	87125-300-000	97		
83700-300-030A	177	87125-300-010	97		
83700-300-030B	177	87126-300-000	97		
83700-300-020AZ	97	87127-300-000	97		
83700-300-020CM	97				

PART NO. INDEX

Part No.	Page	Part No.	Page	Part No.	Page
90000		90162-292-670	149-2	90521-292-000	115
90009-300-000	15	90163-285-000	175	90522-300-010	75
90009-300-010	15	90165-292-000	145	90523-292-000	113
90012-300-000	5	90165-300-023	75	90523-300-000	113
90014-300-000	23	90166-292-751	175	90526-288-000	117
90014-300-010	23	90167-300-000	89	90530-286-600	137
90018-300-000	3	90168-300-000	123	90543-273-000	81
90033-300-020	49	90206-250-000	5	90545-300-000	25
90034-300-020	49	90231-200-010	21		73
90040-300-000	47	90236-300-000	9	90554-240-000	95
90041-300-000	51	90301-300-000	95	90555-283-000	69
90042-300-000	51	90304-300-000	83	90581-701-000	95
90046-300-000	49	90305-300-000	77		117
90048-300-000	49	90306-268-000	113		143
90049-300-000	9	90313-512-000	99	90581-631-650	149
90051-300-000	7	90321-292-000	67	90601-292-000	81
90052-300-000	7		161	90601-300-000	39
90081-246-000	15	90322-282-000	175	90601-319-000	81
90108-283-000	151	90324-300-000	135	90603-300-000	47
90114-001-000	161	90354-268-000	117	90753-283-000	113
90114-268-020	67	90402-822-000	19	90809-300-300	39
	161	90403-300-000	51	90841-001-000	153
90114-300-000	71	90404-300-810	45	90899-283-000	149-2
90119-300-000	113	90405-300-000	45		173
90121-300-000	117	90414-300-020	95		
90122-300-010	77	90417-001-000	29		
90122-300-020	77	90417-041-000	29		
90123-300-000	81	90425-300-000	23		
	177	90428-300-000	23		
90123-300-790	176	90428-300-010	23		
90124-292-000	65	90428-616-650	135	91001-035-000	39
90127-283-000	117	90431-292-000	21	91002-300-008	39
90128-300-030	113	90432-300-000	21		45
90133-296-000	117	90432-300-305	21	91003-235-000	39
90141-300-000	99	90433-300-000	45	91003-259-000	45
90143-300-010	95	90433-300-010	45	91004-300-000	35
90143-300-020	95	90435-300-000	29	91101-516-000	23
90145-300-000	73	90436-300-000	41	91201-300-003	37-2
90146-300-010	101	90441-512-000	99	91202-216-000	19
	105	90443-500-000	45	91204-286-003	19
90146-300-020	101	90451-300-000	39	91205-300-005	45
	105	90452-300-000	39	91206-286-013	27
90152-300-010	153	90453-300-000	7	91211-286-003	3
90154-268-670	133	90458-292-000	39	91215-300-003	25
90154-292-610	137	90458-506-810	39	91252-300-003	77
90155-300-000	153	90481-292-000	21	91255-300-013	81
90156-292-671	137	90485-035-000	11	91255-300-023	81
90156-300-000	153		49	91255-300-025	81
90156-300-750	179		51	91256-300-003	81
90162-283-000	173		175	91258-300-013	113
90162-292-000	145	90503-283-000	83	91259-300-000	75
	147	90512-300-000	117	91301-300-000	75
	149-2		121	91301-283-000	19
	171	90514-700-000	143		41

91000

91001-035-000	39
91002-300-008	39
	45
91003-235-000	39
91003-259-000	45
91004-300-000	35
91101-516-000	23
91201-300-003	37-2
91202-216-000	19
91204-286-003	19
91205-300-005	45
91206-286-013	27
91211-286-003	3
91215-300-003	25
91252-300-003	77
91255-300-013	81
91255-300-023	81
91255-300-025	81
91256-300-003	81
91258-300-013	113
91259-300-000	75
91301-300-000	75
91301-283-000	19
	41

PART NO. INDEX

Part No.	Page	Part No.	Page	Part No.	Page
91301-704-000	17	99124-300-0450	57		
	95		63		
91302-001-020	3	99124-300-0480	57		
91302-300-000	77		63		
91303-035-000	13				
	47				
91304-028-000	31				
	33				
	47				
91304-286-000	13				
91309-300-000	25				
91311-044-000	41				
	47				
91313-300-003	45				
91315-044-000	47				
91316-300-003	31				
91316-300-005	31				
91317-300-003	11				
91318-300-013	11				
91319-300-000	47				
99000					
99114-246-1100	57				
	63				
99114-246-1150	57				
	63				
99114-246-1200	57				
	63				
99114-246-1250	57				
	63				
99114-246-1300	57				
	63				
99114-246-1350	57				
	63				
99114-246-1400	57				
	63				
99114-246-1450	57				
	63				
99114-246-1500	57				
	63				
99114-246-1550	57				
	63				
99124-300-0350	57				
	63				
99124-300-0380	57				
	63				
99124-300-0400	57				
	63				
99124-300-0420	57				
	63				

Courtesy of  Honda4Fun
www.honda4fun.com



HONDA
HONDA MOTOR CO., LTD. TOKYO, JAPAN

PHOTO by Japan

PICTURE by JAG