



Courtesy of
www.honda4fun.com

Honda4Fun
www.honda4fun.com



HONDA

CB750F

CB750F1

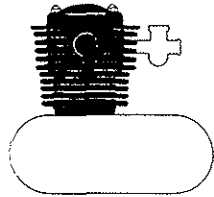
2

PARTS LIST

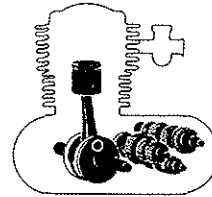
CONTENTS - ENGINE GROUP

CONTENTS

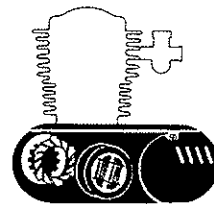
	(Page)
● Contents-Engine group	1
● Contents-Frame group	2
● Instruction for use of parts list	3
● How to use the flat rate time (F.R.T.)...	6
● Model photograph...	8
● Engine group	9
(address No. C2)	
● Frame group.....	35
(address No. G2)	
● Part No. index.....	92



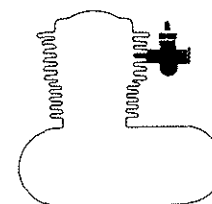
E- 1	Cylinder Head Cover	C 2
E- 2	Cylinder Head	C 3
E- 3	Valve - Cam Chain Tensioner	C 4
E- 4	Cam Shaft - Cam Shaft Holder	C 6
E- 5	Cylinder - Piston	C 7



E-14	Crankshaft	D 4
E-15	Primary Chain - Final Driven Gear - Kick Spindle	D 5
E-16	Transmission	D 6
E-17	Shift Drum - Shift Spindle	D 8

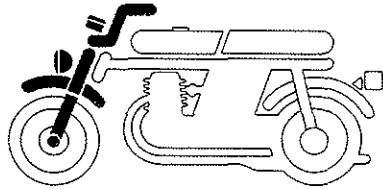


E- 6	Contact Breaker	C 9
E- 7	Clutch Cover	C11
E- 8	Clutch	C12
E- 9	Generator	C13
E-10	Starting Motor - Mission Cover	C14
E-11	Oil Filter - Oil Pan	C16
E-12	Oil Pump	D 1
E-13	Crankcase	D 2

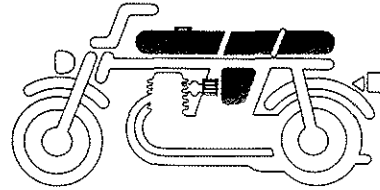


E-18	Carburetor	D10
------	------------------	-----

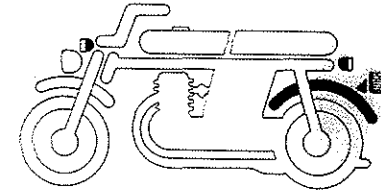
CONTENTS - FRAME GROUP



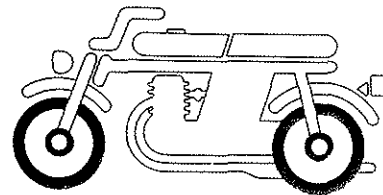
F- 1	Handle Lever · Switch · Cable	G 2
F- 2	Head Light (A, CM)	G 4
F- 2-1	Head Light (DK, DM, E, U)	G 6
F- 2-2	Head Light (ED, F, G)	G 8
F- 3	Speedometer · Tachometer · Pilot Lamp · Key	G10
F- 4	Handle Pipe · Top Bridge · Stem	G12
F- 5	Front Master Cylinder · Brake Caliper ..	G15
F- 6	Front Fender	H 2
F- 7	Front Fork	H 3



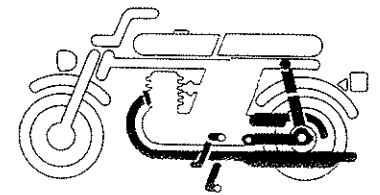
F-11	Fuel Tank · Cock	H13
F-12	Side Cover · Battery	H14
F-13	Oil Tank	H15
F-14	Seat	H16
F-15	Air Cleaner	I 3



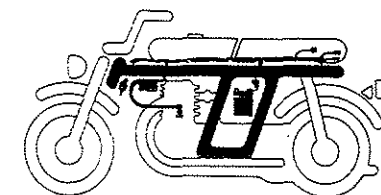
F-20	Rear Fender · Bumper	I 10
F-21	Winker (A, CM, DK, DM, U)	I 12
F-21-1	Winker (E, ED, F)	I 14
F-21-2	Winker (G)	I 16
F-22	Tail Light (A, CM, DK, DM, U)	J 1
F-22-1	Tail Light (E, ED, F)	J 3
F-22-2	Tail Light (G)	J 4



F- 8	Front Wheel · Disk	H 4
F- 9	Rear Brake Caliper · Master Cylinder · Pedal	H 6
F-10	Rear Wheel · Disk · Drive Chain	H10



F-16	Exhaust Muffler	I 5
F-17	Step · Stand	I 6
F-18	Rear Fork · Chain Case	I 8
F-19	Rear Cushion	I 9



F-23	Electric Base · Fuse · Regulator	J 5
F-24	Wire Harness · Ignition Coil · Horn	J 7
F-25	Frame Body	J 9

3. Abbreviations

The following abbreviations are used in this parts list.

Assy.	Assembly	HEX.	Hexagonal
COMP.	Complete	IN.	Inlet
F.R.	Front	EX.	Exhaust
R.R.	Rear	STD.	Standard
R.	Right	T (22T)	Teeth (22Teeth)
L.	Left	L (100L)	Link (100Link)

4. Dimensions

All dimensions are given in millimeters (mm) except in the case of steel balls, tires and tire tubes.

Parts	Example	Interpretation
Bolt (Screw)	6×12	6mm diameter, 12mm length
Pin	8×14	8mm diameter, 14mm length
O-Ring	9.5×1.6	9.5mm diameter, 1.6mm thickness
Oil seal	14×24×5	14mm inside diameter, 24mm outside diameter, 5mm thickness
Tube	5×130	5mm inside diameter, 130mm length

5. Supersedence of parts

Part numbers given under the part name in the "Description" column indicate that the part number has been superseded by that part number. HONDA may make such supersedence without notice.

6. Assemblies

Sections framed with broken lines in the exploded view drawings are available as complete assemblies. (Their individual parts can also be obtained.)

7. Required quantity

The number given in the "Reqd. No." column indicates the quantity of parts used in the section described in that block.

Parts with quantities in () represent optional or oversize parts.

8. Part Modification-Applicable Serial Numbers

In cases where a part has been modified, the serial number of the first vehicle (or frame, engine, carburetor) bearing the modification is listed in the "Serial No." column.

9. Models, Area Codes and Initial Serial No's.

Models, Area Codes and Initial Serial No's. given in this parts list can be identified as follows.

Parts with area codes are exclusive for models destined for countries designated.

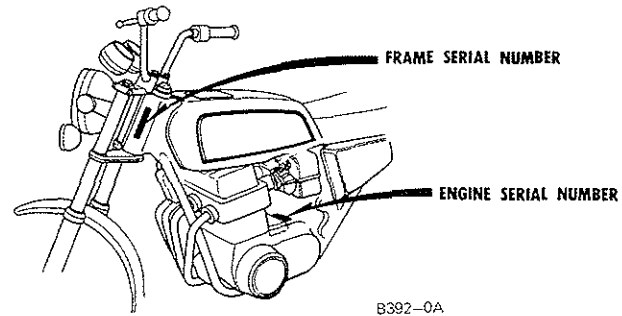
If no area codes are listed, parts are for common use.

Model-Area Code	Type	Initial Serial Engine No.	Initial Serial Frame No.	Initial Carburetor Identification No.
CB750F	A U.S.A.	CB750E- 250004 ~2515085	CB750F- 1000002 ~1015054	064 <u>A</u>
CB750F1	A U.S.A.	CB750E- 2515094~	CB750F- 2000003~	064 <u>A</u>
	CM Canada	CB750E- 2515094~	CB750F- 1022452~	
	E England	CB750E- 2515094~	CB750F- 1020712~	
	G Germany	CB750E- 2515094~	CB750F- 1022152~	
	F France	CB750E- 2515094~	CB750F- 1016071~	
	ED European direct sales	CB750E- 2515094~	CB750F- 1015961~	
	DK General export	CB750E- 2515094~	CB750F- 1015055~	
	DM General export	CB750E- 2515094~	CB750F- 1021107~	
U Australia	CB750E- 2515094~	CB750F- 1015121~		

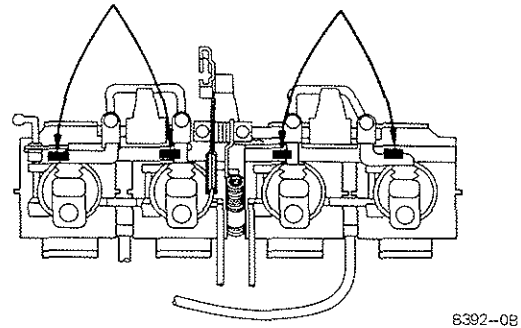
* Of carburetor identification numbers, only the portions underlined in the example below are used for registration.

064 A A KC 7

10. Location of stamped serial number



CARBURETOR IDENTIFICATION NUMBER



11. This Parts List is compiled as of July 10, 1976

Courtesy of  Honda4Fun
www.hondafour.com www.honda4fun.com

March 20, 1975
HONDA MOTOR CO., LTD.

HOW TO USE THE FLAT RATE TIME (F.R.T.)

This F.R.T. (Flat Rate Time) is used to determine the standard labor time allowed for replacement of parts covered by the warranty during the period the warranty is in effect. The F.R.T. for those parts which are not listed herein should be determined from the operation closely related to the replacement of that part.

1. The F.R.T. is based on the following servicing conditions :

- A liberal allowance is added to the net servicing time.
- Standard times specified are based on the condition that the necessary servicing tools listed in the Service Manual (Motorcycle) which describes the Honda service policy are available close at hand and the work performed by a mechanic with normal skill.
- Time required for inspection and operational test following the servicing is included in the F.R.T.

2. Method of computing

The job times are listed in tenth of an hour to simplify computation.

- (Example) 0.3 = 18 minutes
5.6 = 5 hours and 36 minutes

CONVERSION CHART			
Hours	Minutes	Hours	Minutes
0.1	6	0.6	36
0.2	12	0.7	42
0.3	18	0.8	48
0.4	24	0.9	54
0.5	30	1.0	60

3. Computing the F.R.T.

When several jobs are performed at the same time, make the calculation in the following manner.

a. Jobs of non duplicated nature

The F.R.T. for the job is obtained by totalling the F.R.T. for each part replaced.

(Example) Replacement of cylinder and clutch spring.

Service Item	F.R.T.
CYLINDER	☆5.1
CLUTCH SPRING	0.6

The F.R.T. for the job is : $5.1 + 0.6 = 5.7$

b. Jobs of duplicated nature

- Take the F.R.T. for the last part to be replaced.

(Example) Replacement of piston and cylinder head gasket.

Service Item	F.R.T.
CYLINDER HEAD GASKET	☆4.6
PISTON	☆5.2

The F.R.T. for the job is : 5.2

c. Jobs of partially related nature

Total up the F.R.T. for all of the parts replaced and then subtract the F.R.T. for the duplicated operation.

(Example) Replacement of gear shift drum and crankshaft assembly.

Service Item	F.R.T.
GEAR SHIFT DRUM	☆5.8
CRANKSHAFT	☆8.6
CRANKCASE DISASSEMBLY	☆5.5

The F.R.T. for the job is : $(5.8 + 8.6) - 5.5 = 8.9$

Crankcase disassembly is the duplicated operations.

- The F.R.T. shown with (☆) includes engine removal and installation.

4. Operations other than replacing parts.

a. Removal and installation

No.	Service Item	F.R.T
1	Engine	3.0
2	Cylinder head	☆4.6
3	Carburetor	0.8

b. Adjustment, measurement and cleaning of engine.

No.	Service Item	F.R.T
1	Point-adjustment (including ignition timing adjustment)	0.4
2	Ignition timing-adjustment	0.3
3	Spark plug-adjustment and cleaning	0.5
4	Tappet adjustment	0.7
5	Carburetor idle-adjustment	0.2
6	Engine oil-inspection (excluding oil change)	0.2
7	Clutch-adjustment	0.3
8	Cleaner element-cleaning	0.3
9	Compression-pressure measurement	0.2
10	Battery-checking of electrolyte level and gravity	0.2
11	Carburetor-float level measurement	1.1
12	Oil filter cleaning	0.3
13	Throttle operation-adjustment	0.1
14	Carburetor synchronization-adjustment	0.6

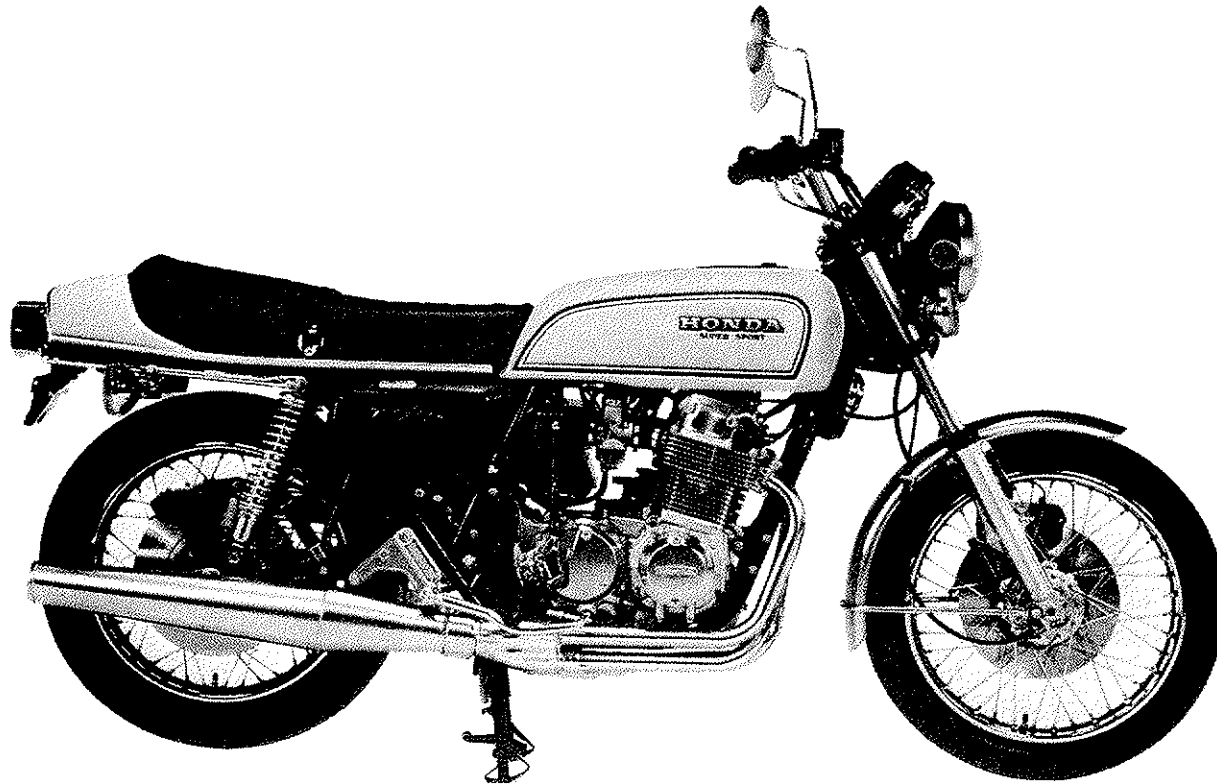
Frame

No.	Service Item	F.R.T
1	Front brake-ari bleeding	0.1
2	Rear brake-ari bleeding	0.1
3	Brake-operation test	0.1
4	Headlight-aimings	0.2
5	Drive chain (includes tension adjustment however, dose not include sproket)	0.1
6	Front wheel balance	0.8
7	Rear wheel balance	0.9

c. Overhaul

1. Overhaul

No.	Service Item	F.R.T
1	Carburetor	3.2



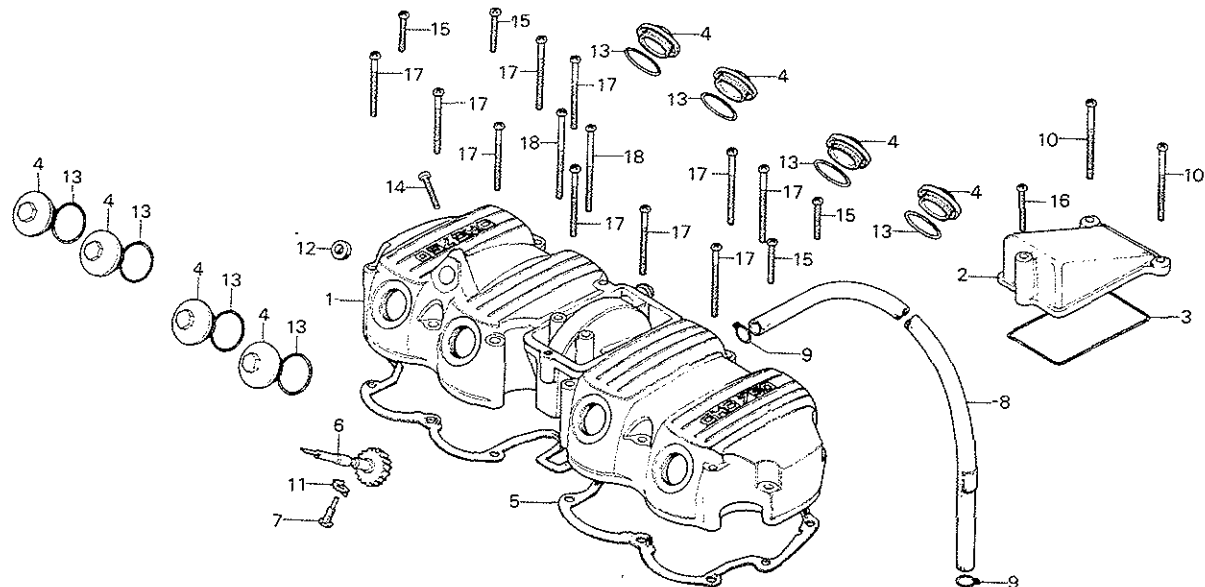
CB750F1-A

C 2

Block No.

E-1

Cylinder Head Cover



8392-1

ENGINE GROUP

Service Item	F.R.T.	Ref. No.	Part No.	Description	Reqd. No.		Area Code
					CB750F	CB750F1	
CYLINDER HEAD COVER	*3.3	1	12310-300-060	COVER, CYLINDER HEAD	1	1	
TACHOMETER GEAR and its related parts	*3.2	2	12321-300-030	COVER, HEAD BREATHER	1	1	
CYLINDER HEAD COVER GASKET	*3.1	3	12329-300-020	GASKET, BREATHER COVER	1	1	
HEAD BREATHER COVER	*3.0	4	12361-300-000	CAP, TAPPET ADJUSTING HOLE	8	8	
BREATHER TUBE	0.1	5	12391-300-040	GASKET, CYLINDER HEAD COVER	1	1	
		6	12431-300-010	GEAR, TACHOMETER	1	1	
		7	12435-300-003	BOLT, TACHOMETER GEAR STOPPER	1	1	
		8	15763-392-000	TUBE C, BREATHER	1	1	
		9	15772-292-010	CLIP, BREATHER TUBE	2	2	
		10	90018-300-000	SCREW, PAN, 6X75	2	2	
		11	90439-300-000	WASHER, LOCK	1	1	
		12	91211-286-003	OIL SEAL, 4.8X14.5X4	1	1	
		13	91302-001-020	O-RING, 30.8MM	8	8	
		14	93500-05025-0A	SCREW, PAN, 5X25	1	1	
		15	93500-06040	SCREW, PAN, 6X40	4	4	
		16	93500-06050	SCREW, PAN, 6X50	1	1	
		17	93500-06063	SCREW, PAN, 6X63	10	10	
		18	93500-06080	SCREW, PAN, 6X80	2	2	

1976.07.10

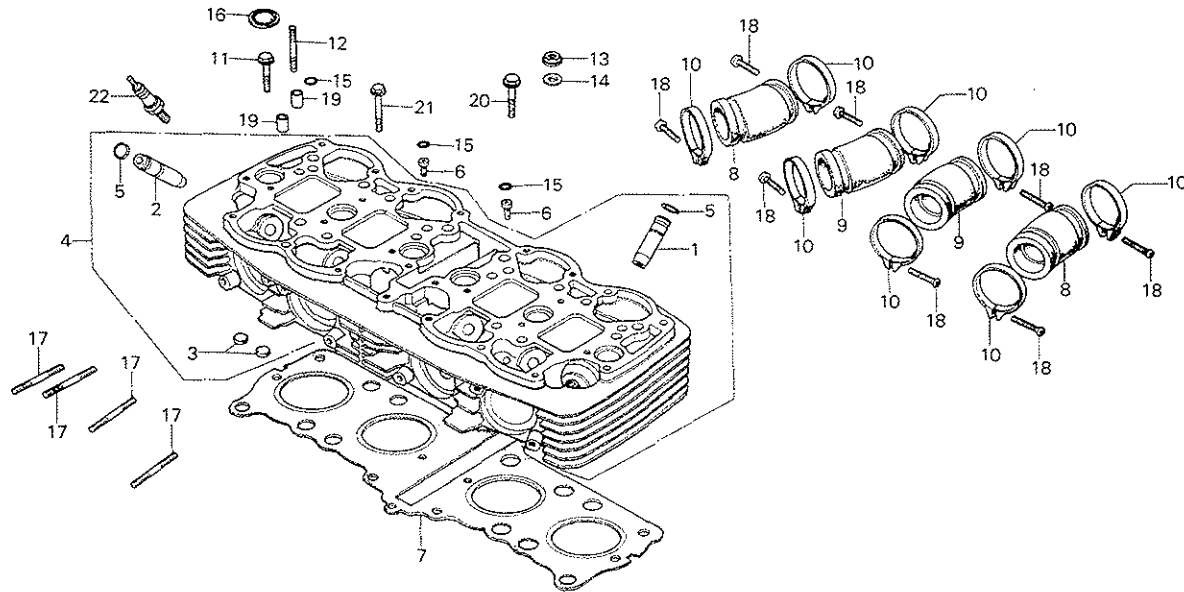
C2



Block No.

E-2

Cylinder Head



Courtesy of  Honda4Fun
www.hondafour.com www.honda4fun.com

8392-2

Service Item	F.R.T.	Ref. No.	Part No.	Description	Reqd. No.		Serial No.	Area Code
					CB750F	CB750F1		
CYLINDER HEAD COMP.	*8.1	1	12025-300-300	GUIDE, IN. VALVE	4	4		
VALVE GUIDE	*5.1	2	12027-300-330	GUIDE, EX. VALVE	4	4		
		3	12195-300-000	RUBBER, INSERT	2	2		
* Reaming included add 0.2 Valve seat refacing excluded, If it refaced and more 0.2		4	12200-392-000	HEAD COMP., CYLINDER	1	1		
		5	12211-250-310	CLIP, VALVE GUIDE	8	8		
CYLINDER HEAD GASKET/OIL CONTROL ORIFICE	*4.6	6	12238-300-010	ORIFICE, OIL CONTROL	2	2		
CARBURETOR INSULATOR	0.9	7	12251-300-070	GASKET, CYLINDER HEAD				
8 x 50 STUD BOLT	0.5			12251-300-004	1	1	2549122	2549121
* Add 0.1				12251-300-004	1	1		
SPARK PLUG	0.1	8	16211-300-030	INSULATOR A, CARBURETOR	2	2		
		9	16212-300-030	INSULATOR B, CARBURETOR	2	2		
		10	17255-300-010	BAND, CARBURETOR INSULATOR	8	8		
		11	90049-300-000	BOLT, SPECIAL, 6X36	4	4		
		12	90055-300-000	BOLT, STUD, 6X58	4	4		
		13	90236-300-000	NUT, HEX., 8MM	16	16		
		14	90485-035-000	WASHER, 14MM	16	16		
		15	91305-323-000	O-RING, 5.8X1.9	4	4		
		16	91318-300-013	RUBBER, SEALING	6	6		
		17	92700-08050-OE	BOLT, STUD, 8X50	8	8		
		18	93500-04022-OA	SCREW, PAN, 4X22	8	8		
		19	94301-08140	PIN A, DOWEL, 8X14	6	6		
		20	95700-06036	BOLT, FLANGE 6X36	1	1		
		21	95700-06090	BOLT, FLANGE, 6X90	1	1		
		22	98069-38710	PLUG, SPARK (D-8ES-L NGK)	4	4		
			98069-58721	PLUG, SPARK (X-24ES ND)	4	4		

1976.07-10

C3



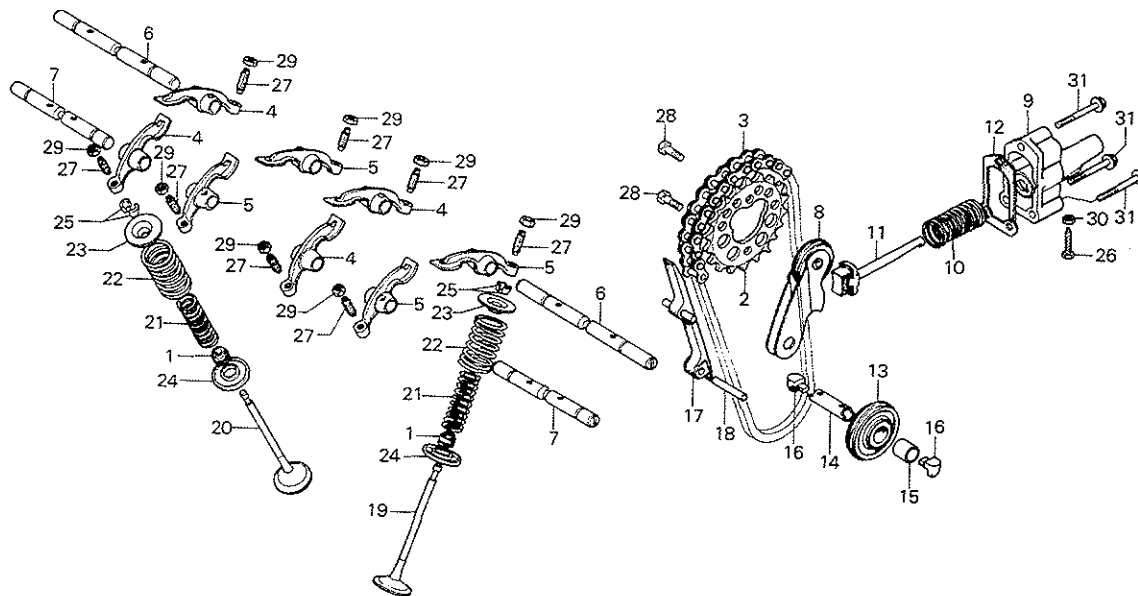
Block No.

E-3

**Valve
Cam Chain Tensioner**



Courtesy of Honda4Fun
www.honda4fun.com



8392-3

Service Item	F.R.T.	Ref. No.	Part No.	Description	Reqd. No.		Serial No.	Area Code
					CB750F	CB750F1		
CAM CHAIN	≈7.7	1	12209-300-003	SEAL, VALVE STEM	8	8		
CAM CHAIN TENSIONER/CAM CHAIN GUIDE ROLLER	≈5.0	2	14321-392-000	SPROCKET, CAM	1	1		
		3	14401-286-003	CHAIN, CAM (DK219T-94L) (ENDLESS DAIDO)	1	1		
VALVE	≈4.9	4	14431-300-030	ARM A, VALVE ROCKER	4	4		
• Add 0.2 Reaming included		5	14432-300-030	ARM B, VALVE ROCKER	4	4		
VALVE SPRING and its related parts	≈4.8	6	14461-300-020	SHAFT, IN. ROCKER ARM	2	2		
• Add 0.1		7	14462-300-010	SHAFT, EX. ROCKER ARM	2	2		
VALVE ROCKER ARM and its related parts	≈3.4	8	14500-300-000	TENSIONER COMP., CAM CHAIN	1	1		
CAM SPROCKET	≈3.8	9	14530-300-010	HOLDER COMP., CAM CHAIN TENSIONER	1	1		
CAM CHAIN TENSIONER HOLDER and its related parts	0.3	10	14541-300-000	SPRING, CAM CHAIN TENSIONER	1	1		
		11	14550-300-030	BAR COMP., CAM CHAIN TENSIONER PUSH	1	1		
		12	14592-300-000	GASKET, CAM CHAIN TENSIONER HOLDER	1	1		
		13	14601-312-000	ROLLER, CAM CHAIN GUIDE	1	1		
		14	14605-286-020	PIN, CAM CHAIN ROLLER	1	1		
		15	14606-286-000	COLLAR, CAM CHAIN ROLLER	1	1		
		16	14607-300-000	RUBBER, CAM CHAIN ROLLER PIN	2	2		
		17	14611-300-000	GUIDE, CAM CHAIN	1	1		
		18	14612-286-000	PIN, CAM CHAIN GUIDE	1	1		
		19	14711-300-005	VALVE, IN. (MITSUBISHI)	4	4		
		20	14721-300-005	VALVE, EXHAUT (MITSUBISHI)	4	4		
		21	14751-300-003	SPRING, VALVE (INNER)	8	8		
		22	14761-300-003	SPRING, VALVE (OUTER)	8	8		

1976.07.10

C4



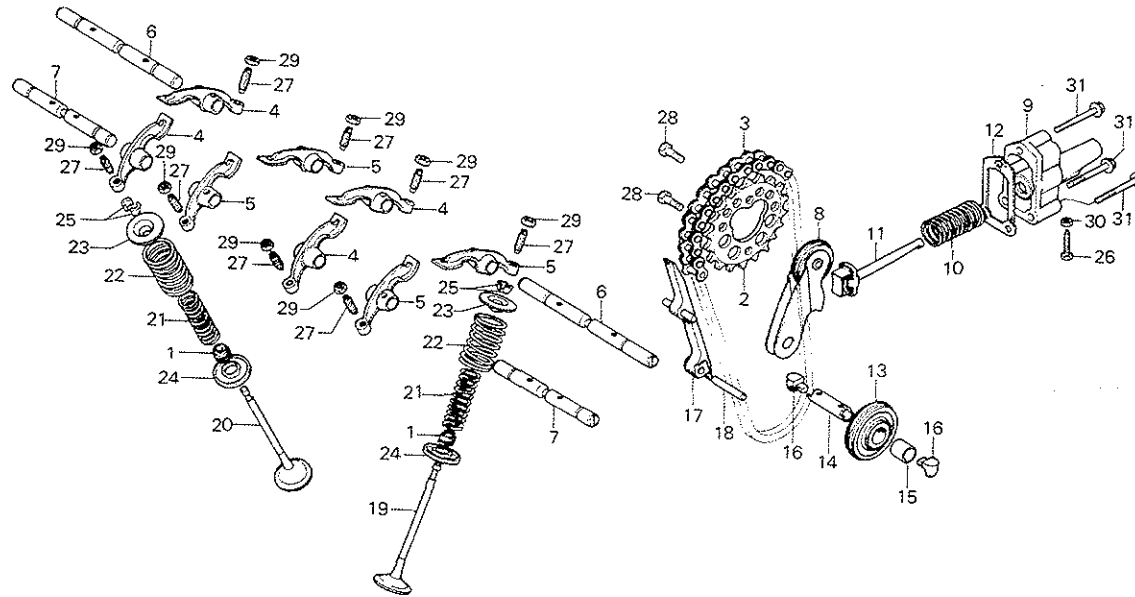
Block No.

E-3

**Valve ·
Cam Chain Tensioner**



Courtesy of Honda4Fun
www.honda4fun.com



8392-3

Service Item	F.R.T.	Ref. No.	Part No.	Description	Reqd. No.		Serial No.	Area Code
					0B750F	CB750F1		
		23	14771-551-020	RETAINER, VALVE SPRING	8	8		
		24	14775-300-000	SEAT, VALVE SPRING	8	8		
		25	14781-551-000	COTTER, VALVE	16	16		
		26	90009-300-010	BOLT, TENSIONER ADJUSTING	1	1		
		27	90012-300-000	SCREW, TAPPET ADJUSTING	8	8		
		28	90081-246-000	BOLT, HEX., KNOCK, 7X12	2	2		
		29	90205-300-000	NUT, TAPPET ADJUSTING	8	8		
		30	94002-06000	NUT, HEX., 6MM	1	1		
		31	95700-06040	BOLT, FLANGE, 6X40	3	3		

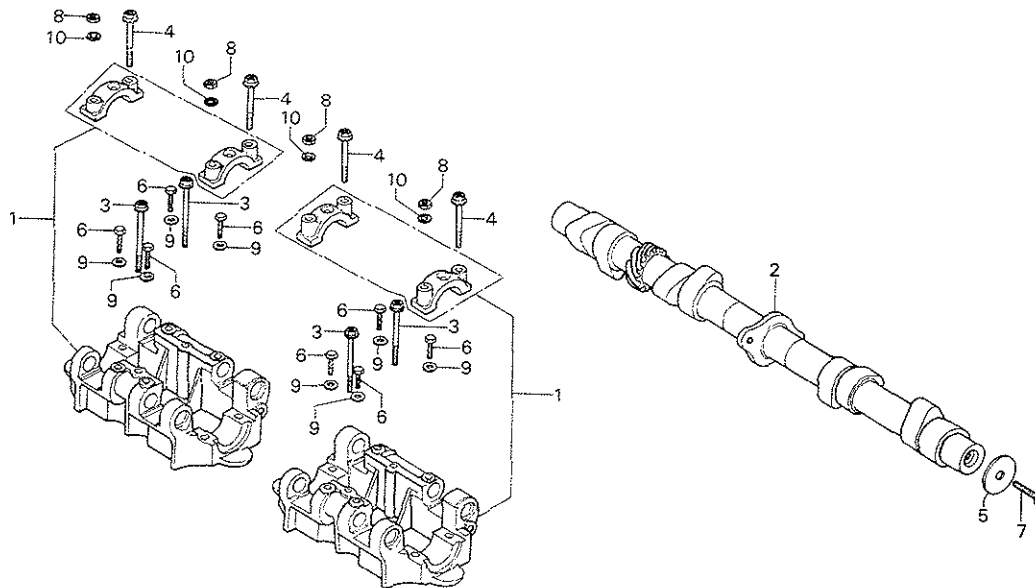


Block No.

E-4

**Camshaft ·
Camshaft Holder**

Courtesy of  Honda4Fun
www.hondafour.com www.honda4fun.com



B392-4

Service Item	F.R.T.	Ref. No.	Part No.	Description	Reqd. No.		Area Code
					CB750F	CB750F1	
CAMSHAFT HOLDER SET	≈4.0	1	12010-300-040	HOLDER SET, CAMSHAFT	2	2	
CAMSHAFT	≈3.8	2	14101-392-000	CAM SHAFT	1	1	
		3	90052-300-000	BOLT, SHAFT STOPPER	4	4	
		4	90054-300-000	BOLT, FLANGE, 6X58	4	4	
		5	90453-300-000	WASHER, THRUST, 8MM	1	1	
		6	92000-05016-0A	BOLT, HEX., 5X16	8	8	
		7	92100-08020-0A	BOLT, HEX., 8X20	1	1	
		8	94001-06000	NUT, HEX., 6MM	4	4	
		9	94101-05000	WASHER, PLAIN, 5MM	8	8	
		10	94101-06000	WASHER, PLAIN, 6MM	4	4	

1976.07.10

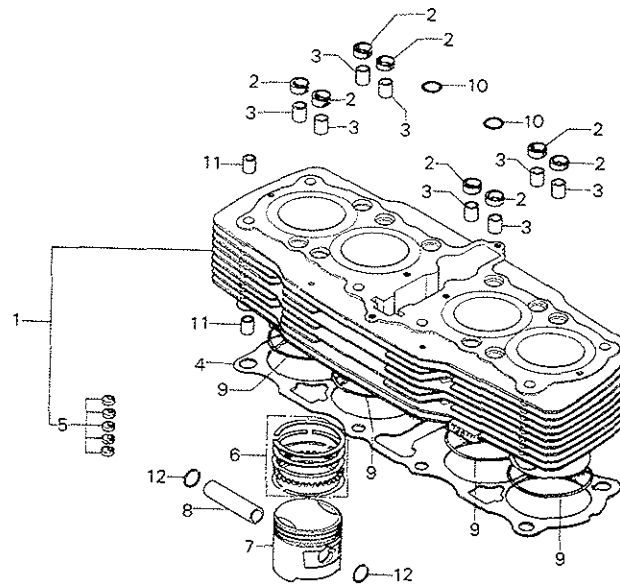
C6



Block No.

E-5

Cylinder • Piston



Courtesy of  Honda4Fun
www.hondafour.com www.honda4fun.com

B392-5

Service Item	F.R.T.	Ref. No.	Part No.	Description	Reqd. No.		Serial No.	Area Code
					CB750F	CB750F1		
PISTON/PISTON RING • Add 0.1	*5.2	1	12100-300-050	CYLINDER COMP.	1	1		
		2	12115-300-000	PACKING, CYLINDER STUD BOLT	8	8		
CYLINDER/CYLINDER GASKET • PISTON PIN	*5.1	3	12116-300-000	PIN, SPECIAL KNOCK, 12MM	8	8		
		4	12191-300-030	GASKET, CYLINDER	1	1		
		5	12195-300-000	RUBBER, INSERT	20	20		
		6	13011-300-024	RING SET, PISTON (STD. RIKEN)	4			2551567
			13021-300-024	RING SET, PISTON (0.25 RIKEN)	(4)			2551567
			13031-300-024	RING SET, PISTON (0.50 RIKEN)	(4)			2551567
			13041-300-024	RING SET, PISTON (0.75 RIKEN)	(4)			2551567
			13051-300-024	RING SET, PISTON (1.00 RIKEN)	(4)			2551567
			13011-392-004	RING SET, PISTON (STD. RIKEN)	4		2551568	
			13021-392-000	RING SET, PISTON (0.25)	(4)		2551568	
			13031-392-000	RING SET, PISTON (0.50)	(4)		2551568	
			13041-392-000	RING SET, PISTON (0.75)	(4)		2551568	
			13051-392-000	RING SET, PISTON (1.00)	(4)		2551568	
		7	13101-392-000	PISTON (STD.)	4			2551567
			13102-392-000	PISTON (0.25)	(4)			2551567
			13103-392-000	PISTON (0.50)	(4)			2551567
			13104-392-000	PISTON (0.75)	(4)			2551567

1976.07.10

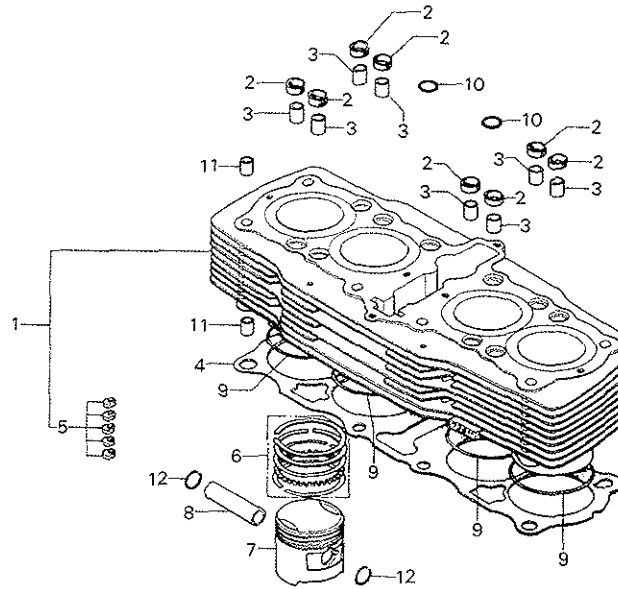
C7



Block No.

E-5

Cylinder • Piston



8392-5

Service Item	F.R.T.	Ref. No.	Part No.	Description	Reqd. No.		Area Code
					CB750F	CB750F1	
			13105-392-000	PISTON (1.00)	(4)		
			13101-392-020	PISTON (STD.)	4	2551568	2551567
			13102-392-020	PISTON (0.25)	(4)	2551568	
			13103-392-020	PISTON (0.50)	(4)	2551568	
			13104-392-020	PISTON (0.75)	(4)	2551568	
			13105-392-020	PISTON (1.00)	(4)	2551568	
		8	13111-300-000	PIN, PISTON	4	4	
		9	91304-286-000	O-RING, 61.8X2.0	4	4	
		10	91310-300-000	O-RING, 11X2.5	2	2	
		11	94301-12180	PIN, KNOCK, 12X18	4	4	
		12	94601-15000	CLIP, PISTON PIN, 15MM	8	8	

1976.07.10

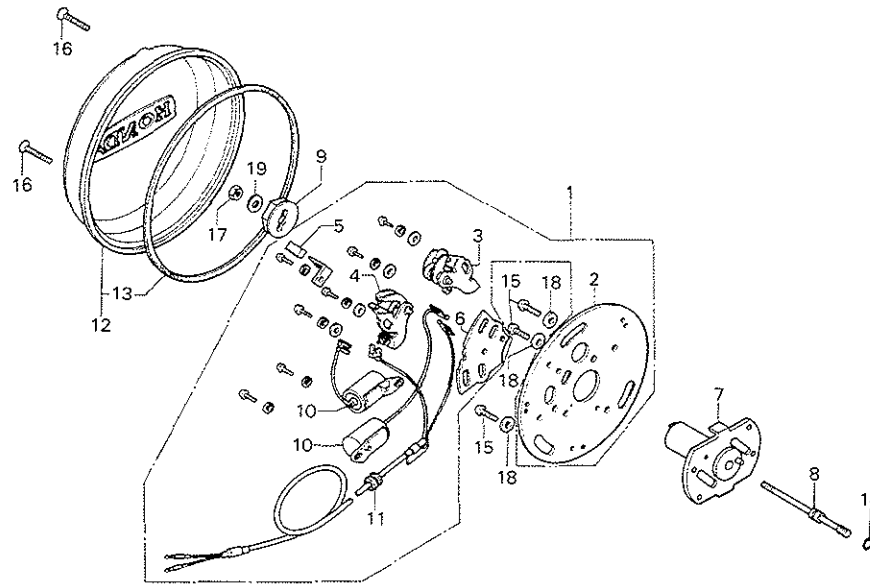
C8



Block No.

E-6

Contact Breaker



Courtesy of  Honda4Fun
www.hondafour.com www.honda4fun.com

B392-6

Service Item	F.R.T.	Ref. No.	Part No.	Description	Reqd. No.		Serial No.	Area Code
					CB750F	CB750F1		
CONTACT BREAKER BASE PLATE	0.9	1	30200-300-015	BREAKER ASSY., CONTACT	1	1		
CONTACT BREAKER/BREAKER SHIFT PLATE	0.6	2	30200-300-154	BREAKER ASSY., CONTACT	1	1		
			30201-300-015	PLATE, CONTACT BREAKER BASE (HITACHI)	1	1		
+ Add 0.1			30201-300-154	PLATE, CONTACT BREAKER BASE (TOYO)	1	1		
CONTACT BREAKER ASSY./SPARK ADVANCER ASSY.	0.5	3	30203-300-005	BREAKER, 184 CYLINDER CONTACT (HITACHI)	1	1		
CONDENSER	0.3		30203-300-154	BREAKER, 184 CYLINDER CONTACT (TOYO)	1	1		
+ Add 0.1			30204-300-005	BREAKER, 283 CYLINDER CONTACT (HITACHI)	1	1		
POINT COVER/OIL FELT	0.1		30204-300-154	BREAKER, 283 CYLINDER CONTACT (TOYO)	1	1		
		5	30205-003-005	FELT, OIL (HITACHI)	1	1		
			30205-300-154	FELT, OIL (TOYO)	1	1		
		6	30215-300-005	PLATE, BREAKER SHIFT	1	1		
			30215-300-154	PLATE, BREAKER SHIFT (TOYO)	1	1		
		7	30220-300-005	ADVANCER ASSY., SPARK	1	1		
			30220-300-154	ADVANCER ASSY., SPARK (TOYO)	1	1		
		8	30231-300-010	SHAFT, SPARK ADVANCER	1	1		
		9	30233-300-000	WASHER, SPECIAL	1	1		
		10	30250-300-005	CONDENSER COMP. (HITACHI)	2	2		
			30250-300-154	CONDENSER COMP. (TOYO)	2	2		
		11	30254-300-300	GROMMET, PRIMARY CORD	1	1		
		12	30370-300-020	COVER COMP., POINT	1	1		
		13	30372-300-300	GASKET, POINT COVER	1	1		
		14	91301-300-000	O-RING, 6X2.3	1	1		

1976.07.10

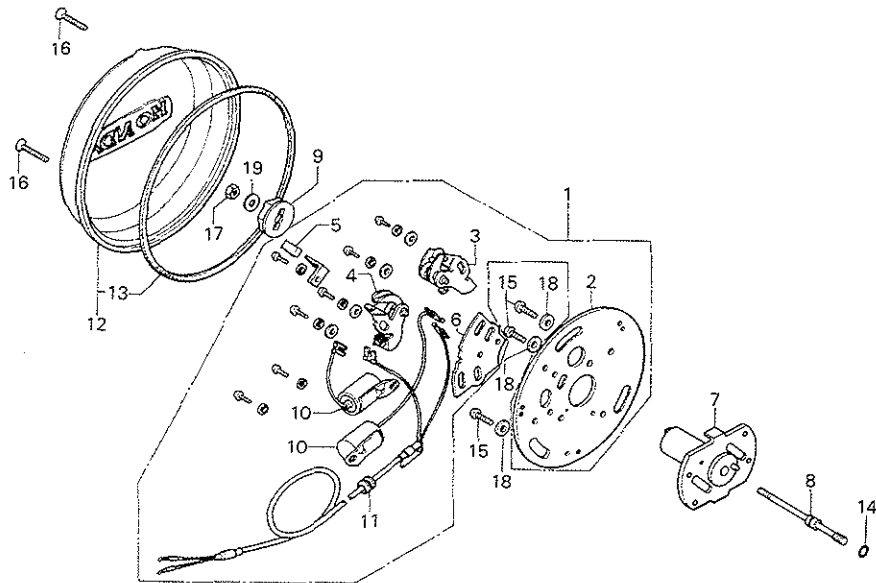
C9

C 10

Block No.

E-6

Contact Breaker



Courtesy of  Honda4Fun
www.hondafour.com www.honda4fun.com

B392-6

Service Item	F.R.T.	Ref. No.	Part No.	Description	Reqd. No.		Serial No.	Area Code
					CB750F	CB750F1		
		15	93500-05012-0A	SCREW, PAN, 5X12	3	3		
		16	93700-06032-02	SCREW, OVAL, 6X32	2	2		
		17	94002-06000	NUT, HEX., 6MM	1	1		
		18	94101-05000	WASHER, PLAIN, 5MM	3	3		
		19	94101-06000	WASHER, PLAIN, 6MM	1	1		

1976.07.10

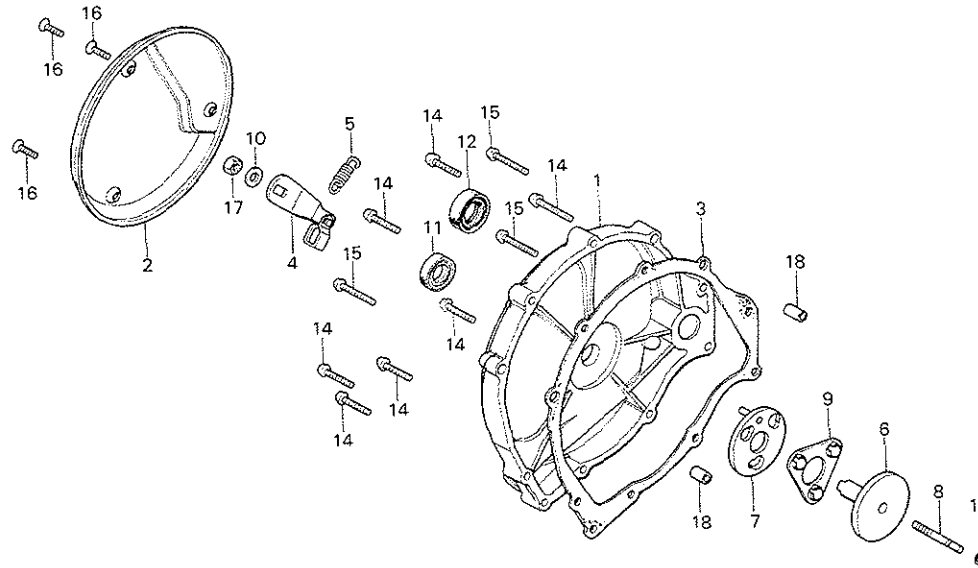
C10

C 11

Block No.

E-7

Clutch Cover



Courtesy of  Honda4Fun
www.honda4fun.com www.honda4fun.com

8392-7

Service Item	F.R.T.	Ref. No.	Part No.	Description	Reqd. No.		Area Code
					CB750F	CB750F1	
CLUTCH COVER	0.7	1	11342-300-050	COVER COMP., CLUTCH	1	1	
CLUTCH LIFTER CAM and its related parts	0.6	2	11348-392-000	COVER, CLUTCH ADJUST	1	1	
• 18 x 29 x 7 OIL - SEAL		3	11396-300-303	GASKET, CLUTCH COVER	1	1	
CLUTCH COVER GASKET	0.5	4	22810-300-000	LEVER COMP., CLUTCH	1	1	
CLUTCH LEVER	0.3	5	22815-300-000	SPRING, CLUTCH LEVER	1	1	
CLUTCH ADJUST COVER	0.1	6	22820-300-000	SHAFT, CLUTCH RELIESE	1	1	
		7	22830-300-000	CAM COMP., CLUTCH LIFTER	1	1	
		8	22841-300-000	BOLT, CLUTCH ADJUSTING	1	1	
		9	22860-300-006	RETAINER COMP., CLUTCH BALL	1	1	
		10	90402-822-000	WASHER, HEAD, 8MM	1	1	
		11	91202-216-003	OIL SEAL, 14X24X5	1	1	
		12	91204-286-003	OIL SEAL, 18X29X7	1	1	
			91204-286-005	OIL SEAL, 18X29X7	1	1	
		13	91301-283-005	O-RING, 5X2.4	1	1	
		14	93500-06028	SCREW, PAN, 6X28	7	7	
		15	93500-06036	SCREW, PAN, 6X36	3	3	
		16	93700-06016-02	SCREW, OVAL, 6X16	3	3	
		17	94002-08000	NUT, HEX., 8MM	1	1	
		18	94301-08140	PIN A, DOWEL, 8X14	2	2	

1976.07.10

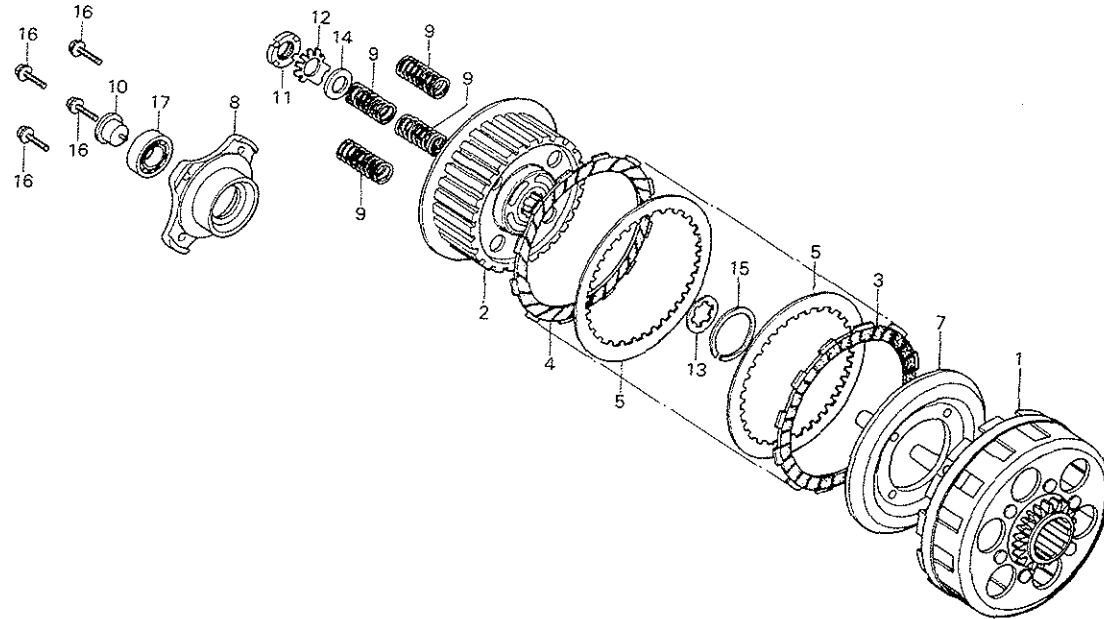
C11

C 12

Block No.

E-8

Clutch



8392-8

Service Item	F.R.T.	Ref. No.	Part No.	Description	Reqd. No.		Area Code
					CB750F	CB750F1 Serial No.	
CLUTCH OUTER/CLUTCH CENTER and those related parts	0.8	1	22100-392-000	OUTER COMP., CLUTCH	1	1	
		2	22120-300-040	CENTER, CLUTCH	1	1	
CLUTCH LIFTER PLATE/CLUTCH SPRING and those related parts	0.6	3	22201-300-000	DISK, CLUTCH FRICTION	6	6	
		4	22202-371-000	DISK B, CLUTCH FRICTION	1	1	
		5	22321-283-000	PLATE B, CLUTCH	6	6	
		7	22350-300-030	PLATE, CLUTCH PRESSURE	1	1	
		8	22360-300-010	PLATE, CLUTCH LIFTER	1	1	
		9	22401-275-000	SPRING, CLUTCH	4	4	
		10	22846-300-000	PIECE, CLUTCH LIFTER	1	1	
		11	90231-200-010	NUT, LOCK, 16MM	1	1	
		12	90431-292-000	WASHER, LOCK, 16MM	1	1	
		13	90432-392-000	WASHER, SPLINE 25MM	1	1	
		14	90481-292-000	WASHER, OIL FILTER ROTOR LOCK	1	1	
		15	90602-371-000	CIRCLIP, EXTERNAL 40MM	1	1	
		16	95700-06022	BOLT, FLANGE, 6X22	4	4	
		17	96100-60030	BEARING, RADIAL BALL, 6003	1	1	

1976.07.10

C12

C 13

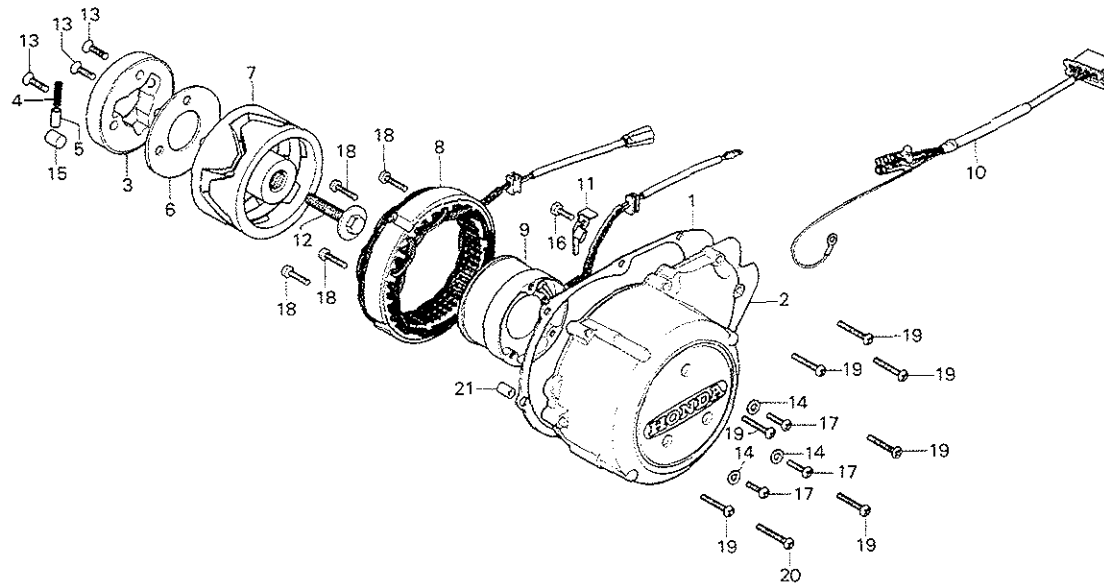
Block No.

E-9

Generator



Courtesy of Honda4Fun
www.hondafour.com www.honda4fun.com



B392-9

Service Item	F.R.T.	Ref. No.	Part No.	Description	Reqd. No.		Serial No.	Area Code
					CB750F	CB750F1		
DYNAMO COVER/STATOR/FIELD COIL • ROTER/STARTING CLUTCH OUTER	0.6	1	11397-300-303	GASKET, DYNAMO COVER	1	1		
		2	11631-300-040	COVER, DYNAMO	1	1		
A.C. GENERATOR WIRE HARNESS • DYNAMO COVER GASKET	0.4	3	28120-300-000	OUTER, STARTING CLUTCH	1	1		
		4	28125-516-030	SPRING, STARTING CLUTCH ROLLER	3	3		
		5	28126-516-020	CAP, STARTING CLUTCH ROLLER SPRING	3	3		
		6	28128-516-000	PLATE, STARTING CLUTCH SIDE	1	1		
		7	31101-300-035	ROTER COMP. (HITACHI)	1	1		
		8	31102-300-035	STATOR COMP. (HITACHI)	1	1		
		9	31103-300-035	COIL COMP., FIELD (HITACHI)	1	1		
		10	31110-300-154	HARNESS, A.C. GENERATOR WIRE	1	1		
		11	32116-300-010	PLATE, A. C. GENERATOR CORD SET	1	1		
		12	90014-392-010	BOLT, ROTOR SET	1	1		
		13	90053-300-000	SCREW, FLAT, 8X22	3	3		
		14	90425-300-000	WASHER, 11MM	3	3		
		15	91101-516-000	ROLLER, 15X13	3	3		
		16	92000-06016	BOLT, HEX., 6X16	1	1		
		17	93500-06020	SCREW, PAN, 6X20	3	3		
		18	93500-06028	SCREW, PAN, 6X28	4	4		
		19	93500-06032	SCREW, PAN, 6X32	7	7		
		20	93500-06036	SCREW, PAN, 6X36	1	1		
		21	94301-08140	PIN A, DOWEL, 8X14	1	1		

1976.07.10

C13

C 14

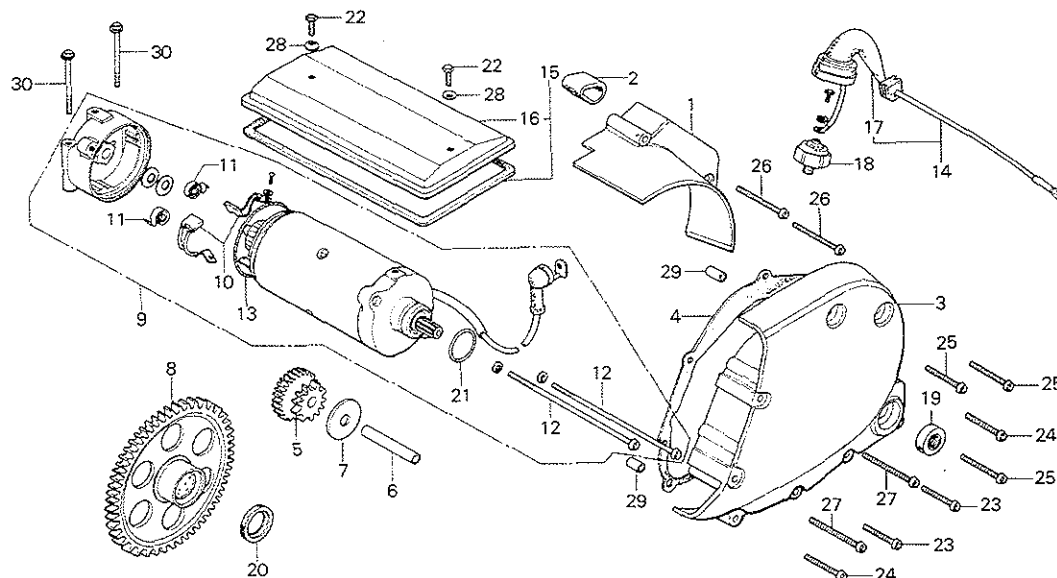
Block No.

E-10

**Starting Motor ·
Mission Cover**



Courtesy of www.honda4fun.com



8392-10

Service Item	F.R.T.	Ref. No.	Part No.	Description	Reqd. No.		Serial No.	Area Code
					CB750F	CB750F1		
CARBON BRUSH SET/BRUSH SPRING	1.1	1	11351-300-060	COVER, L. CRANKCASE RR.	1	1		
STARTING MOTOR ASSY.	0.9	2	11354-300-010	RUBBER, FINAL CHAIN GUIDE	1	1		
STARTING CLUTCH GEAR	0.5	3	11360-300-050	COVER, CRANKCASE MISSION	1	1		
STARTING MOTOR REDUCTION GEAR	0.4	4	11395-300-040	GASKET, MISSION COVER	1	1		
CRANKCASE MISSION COVER/ 14 x 28 x 7 OIL SEAL	0.3	5	28101-300-000	GEAR, STARTING MOTOR REDUCTION	1	1		
• OIL PRESSURE SWITCH		6	28106-300-000	SHAFT, STARTER REDUCTION GEAR	1	1		
MISSION COVER GASKET	0.2	7	28109-300-000	PLATE, STARTING GEAR SETTING	1	1		
• OIL PRESSURE SWITCH CORD ASSY.		8	28110-300-000	GEAR COMP., STARTING CLUTCH	1	1		
L. CRANKCASE REAR COVER	0.1	9	31200-300-030	MOTOR ASSY., STARTING	1	1		
• STARTING MOTOR COVER		10	31201-292-158	BRUSH SET, CARBON (MITSUBA)	1	1		
		11	31204-292-158	SPRING, CARBON BRUSH (MITSUBA)	2	2		
		12	31205-286-158	BOLT, STARTER MOTOR COVER SETTING (MITSUBA)	2	2		
		13	31206-286-158	O-RING (MITSUBA)	1	1		
		14	31270-300-154	CORD ASSY., OIL PRESSURE SWITCH	1	1		
		15	31280-300-000	COVER COMP., STARTING MOTOR	1	1		
		16	31282-300-020	PACKING, STARTING MOTOR COVER	1	1		
		17	31283-300-000	GROMMET, OIL PRESSURE SWITCH CORD	1	1		
		18	35500-333-004	SWITCH ASSY., OIL PRESSURE	1	1		
		19	91206-286-005	OIL SEAL, 14X28X7 (NIPPON)	1	1		
			91206-286-013	OIL SEAL, 14X28X7 (ARAI)	1	1		
		20	91215-300-003	OIL SEAL, 25X33X4	1	1		
		21	91309-300-000	O-RING, 24.4X3.1	1	1		
		22	92000-06012-02	BOLT, HEX., 6X12	2	2		

1976.07.10

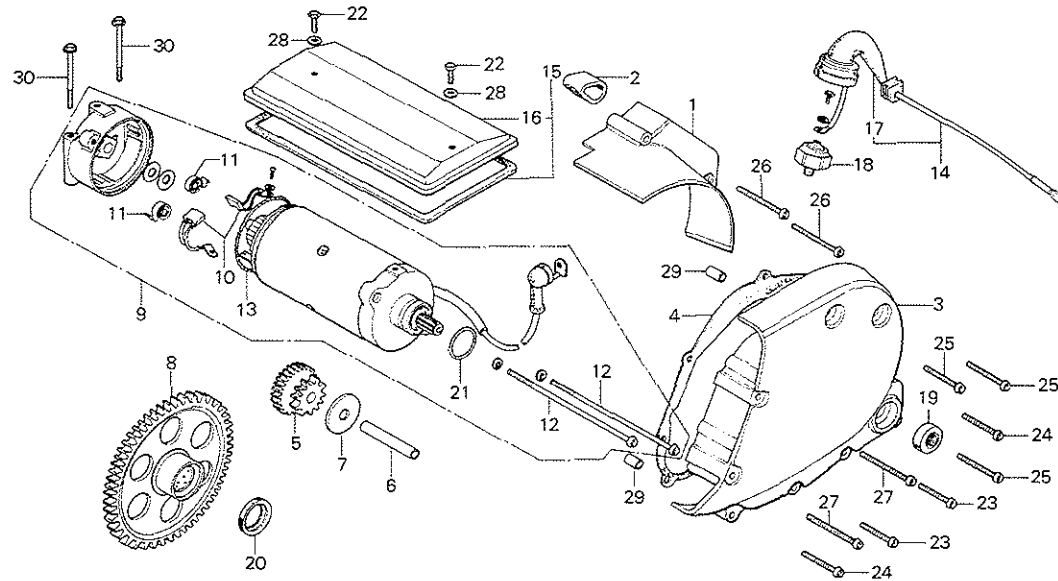
C14

C 15

Block No.

E-10

**Starting Motor ·
Mission Cover**



Courtesy of  Honda4Fun
www.hondafour.com www.honda4fun.com

B392-10

Service Item	F.R.T.	Ref. No.	Part No.	Description	Reqd. No.		Serial No.	Area Code
					CB750F	CB750F1		
		23	93500-06032	SCREW, PAN, 6X32	2	2		
		24	93500-06036	SCREW, PAN, 6X36	2	2		
		25	93500-06040	SCREW, PAN, 6X40	3	3		
		26	93500-06050	SCREW, PAN, 6X50	2	2		
		27	93500-06056	SCREW, PAN, 6X56	2	2		
		28	94101-06200	WASHER, PLAIN, 6MM	2	2		
		29	94301-08140	PIN A, DOWEL, 8X14	2	2		
		30	95700-06056	BOLT, FLANGE 6X56	2	2		

1976.07.10

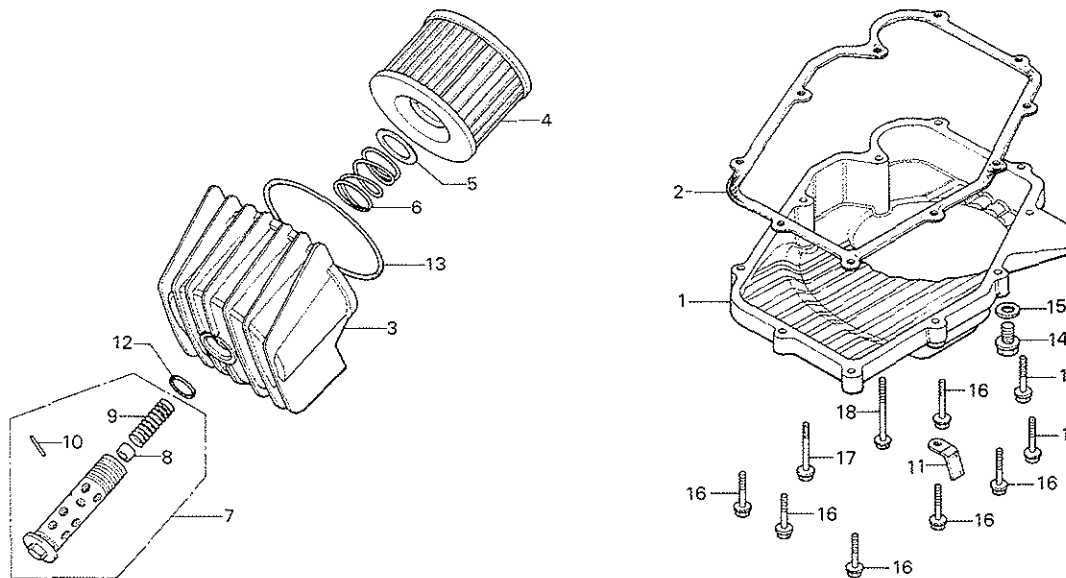
C15

C 16

Block No.

E-11

Oil Filter • Oil Pan



8392-11

Service Item	F.R.T.	Ref. No.	Part No.	Description	Reqd. No.		Serial No.	Area Code
					CB750F	CB750F1		
OIL PAN/OIL PAN GASKET	0.8	1	11210-300-050	PAN, OIL	1	1		
OIL FILTER ELEMENT and its related parts	0.2	2	11398-300-303	GASKET, OIL PAN	1	1		
		3	15411-300-010	CASE, OIL FILTER	1	1		
		4	15412-300-024	ELEMENT, OIL FILTER (TOKYO ROKI)	1	1		
		5	15414-300-000	SEAT, OIL FILTER SPRING	1	1		
		6	15415-300-000	SPRING, OIL FILTER ELEMENT SET	1	1		
		7	15420-300-020	BOLT COMP., OIL FILTER CENTER	1	1		
		8	15473-300-300	VALVE, CHECK	1	1		
		9	15474-300-310	SPRING, CHECK VALVE	1	1		
		10	15477-300-300	PIN, SPRING SET	1	1		
		11	32111-300-000	CLAMPER, CORD	1	1		
		12	91304-028-000	O-RING, 15X2.5	1	1		
		13	91316-300-003	O-RING, 89X4.5	1	1		
			91316-300-005	O-RING, 89X4.5	1	1		
		14	92800-12000	BOLT, DRAIN PLUG, 12MM	1	1		
		15	94109-12000	WASHER, DRAIN PLUG 12MM	1	1		
		16	95700-06028	BOLT, FLANGE, 6X28	8	8		
		17	95700-06040	BOLT, FLANGE, 6X40	1	1		
		18	95700-06050	BOLT, FLANGE, 6X50	1	1		

1976.07.10

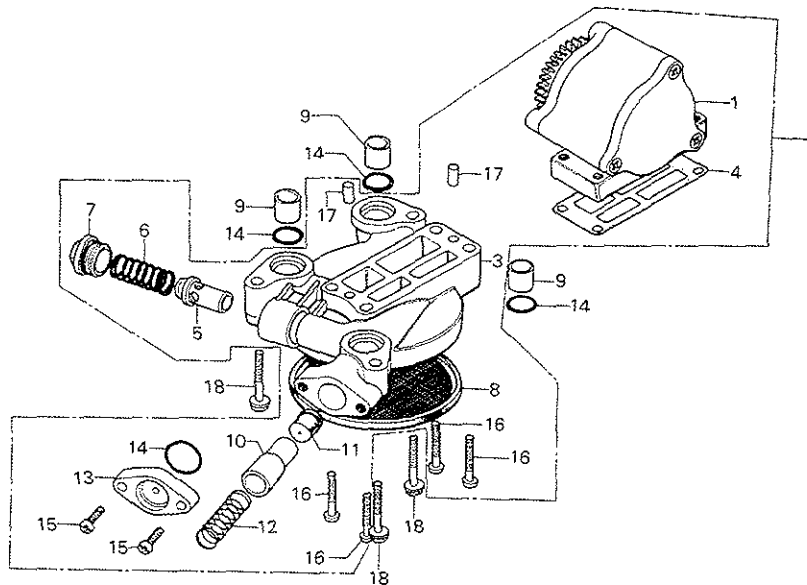
C16

D 1

Block No.

E-12

Oil Pump



Courtesy of  Honda4Fun
www.hondafour.com www.honda4fun.com

8382-12

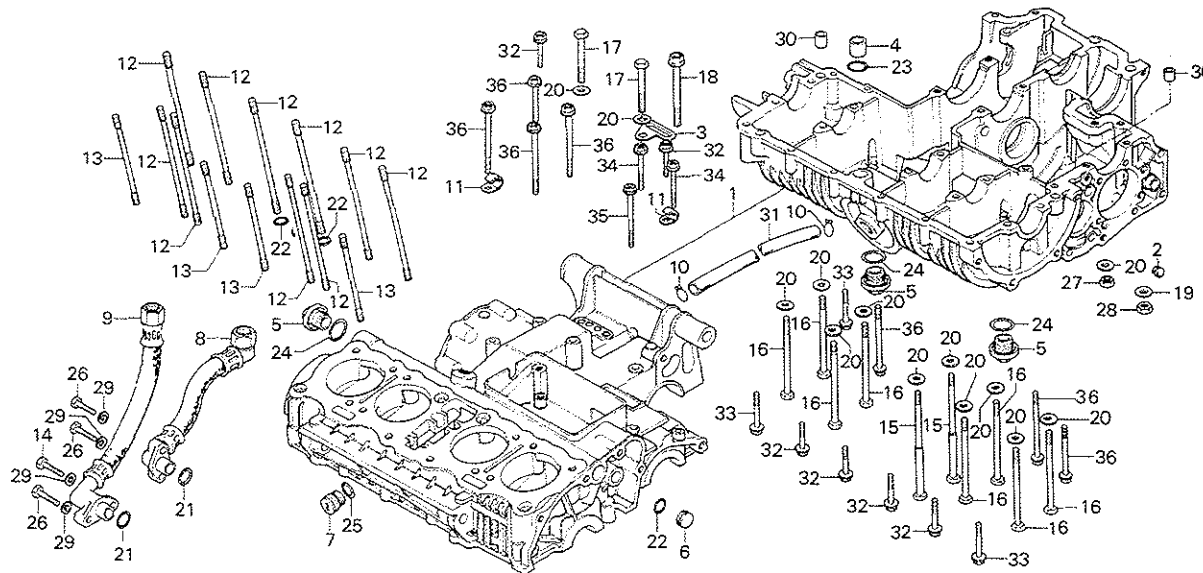
Service Item	F.R.T.	Ref. No.	Part No.	Description	Reqd. No. CB750F CB750F1	Serial No.	Area Code
OIL PUMP BASE	1.1	1	15010-300-000	BODY ASSY., OIL PUMP	1	1	
OIL PUMP BODY	1.0	2	15100-300-000	PUMP ASSY., OIL	1	1	
• RELIEF VALVE		3	15105-300-010	BASE COMP., OIL PUMP	1	1	
• OIL LEAK STOPPER VALVE		4	15135-300-010	GASKET, OIL PUMP	1	1	
OIL PUMP ASSY.	0.9	5	15140-300-010	VALVE, RELIEF	1	1	
		6	15145-300-000	SPRING, RELIEF VALVE	1	1	
		7	15147-300-000	CAP, RELIEF SPRING	1	1	
		8	15150-300-000	SCREEN, OIL STRAINER	1	1	
		9	15155-300-000	COLLAR, O-RING	3	3	
		10	15161-300-000	VALVE, OIL LEAK STOPPER	1	1	
		11	15166-300-000	SEAL, OIL LEAK STOPPER	1	1	
		12	15171-300-010	SPRING, OIL LEAK STOPPER	1	1	
		13	15176-300-000	CAP, OIL LEAK STOPPER	1	1	
		14	91304-028-000	O-RING, 15X2.5	4	4	
		15	93500-06020	SCREW, PAN, 6X20	2	2	
		16	93500-06032	SCREW, PAN, 6X32	4	4	
		17	94302-04080	PIN, KNOCK, 4X8	2	2	
		18	95700-06036	BOLT, FLANGE 6X36	3	3	

D 2

Block No.

E-13

Crankcase



Courtesy of Honda4Fun
www.honda4fun.com

6392-13

Service Item	F.R.T.	Ref. No.	Part No.	Description	Reqd. No.		Area Code
					CB750F	CB750F1	
CRANKCASE ASSY.	*9.0	1	11000-341-000	CRANKCASE ASSY.	1	1	
CYLINDER STUD BOLT	*5.2	2	11209-300-000	PLUG, SEALING RUBBER, 8.5MM	1	1	
* Add 0.1		3	11355-300-000	GUIDE, OVER FLOW	1	1	
OIL HOSE A.	0.5	4	15326-300-000	COLLAR, OIL PATH, 18MM	1	1	
OIL HOSE B.	0.3	5	15331-300-000	CAP, OIL PATH	3	3	
		6	15336-300-010	PLUG, OIL PATH	1	1	
		7	15337-300-010	PLUG, OIL TUBE	1	1	
		8	15510-300-017	HOSE A COMP., OIL	1	1	
		9	15520-392-020	HOSE COMP. B. OIL	1	1	
		10	15772-551-000	CLIP, TUBE	2	2	
		11	32111-323-000	CLAMPER, CORD	2	2	
		12	90033-300-030	BOLT A, CYLINDER STUD	12	12	
		13	90034-300-030	BOLT B, CYLINDER STUD	4	4	
		14	90040-300-000	BOLT, SPECIAL, 6X25	1	1	
		15	90041-300-000	BOLT, HEX., 8X140	2	2	
		16	90042-300-000	BOLT, HEX., 8X120	8	8	
		17	90046-300-000	BOLT, HEX., 8X56	2	2	
		18	90048-300-000	BOLT, HEX., 10X82	1	1	
		19	90403-300-000	WASHER, 10X2.3	1	1	
		20	90485-035-000	WASHER, 14MM	13	13	
		21	91304-028-000	O-RING, 15X2.5	2	2	
		22	91309-035-000	O-RING, 11X2.5	3	3	
		23	91311-044-000	O-RING, 8X3	1	1	
		24	91315-044-000	O-RING, 19.4X2.8	3	3	
		25	91319-300-000	O-RING, 13X2.5	1	1	

1976.07.10

02



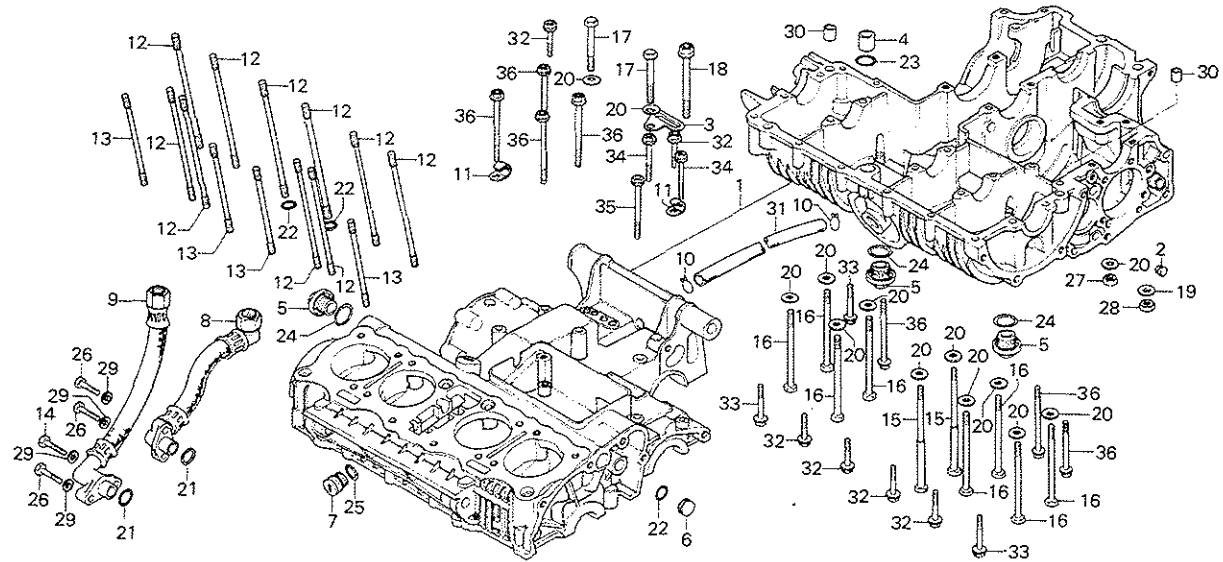
Block No.

E-13

Crankcase



Courtesy of www.hondafour.com www.honda4fun.com



B392-13

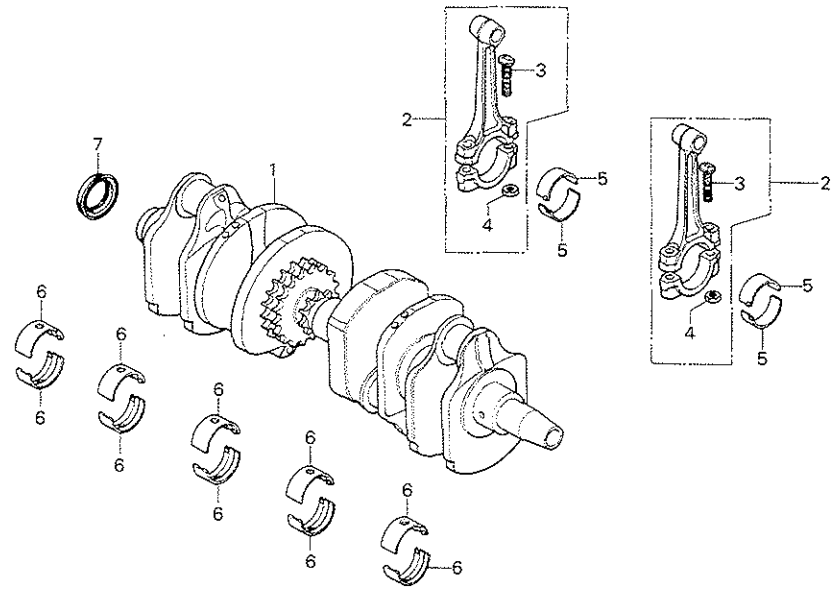
Service Item	F.R.T.	Ref. No.	Part No.	Description	Reqd. No.		Serial No.	Area Code
					OB750F	CB750F1		
		26	92000-06025	BOLT, HEX., 6X25	3	3		
		27	94001-08000-0S	NUT, HEX., 8MM	1	1		
		28	94001-10000-0S	NUT, HEX., 10MM	1	1		
		29	94101-06000	WASHER, PLAIN, 6MM	4	4		
		30	94301-10160	PIN A, DOWEL, 10X16	2	2		
		31	95005-12150-20	TUBE, 12X150	1	1		
		32	95700-06040	BOLT, FLANGE, 6X40	6	6		
		33	95700-06050	BOLT, FLANGE, 6X50	3	3		
		34	95700-06056	BOLT, FLANGE, 6X56	2	2		
		35	95700-06080	BOLT, FLANGE, 6X80	2	2		
		36	95700-06100	BOLT, FLANGE, 6X100	7	7		

D 4

Block No.

E-14

Crankshaft



B392-14

Service Item	F.R.T.	Ref. No.	Part No.	Description	Reqd. No. CB750F CB750F1	Serial No.	Area Code
CRANKSHAFT ASSY.	±8.6	1	13000-300-050	CRANKSHAFT ASSY.	1	1	
CRANKSHAFT BEARING	±8.0	2	13202-300-000	ROD COMP. B, CONNECTING	4	4	
• One or all			13204-300-000	ROD COMP. D, CONNECTING	4	4	
• 30 x 42 x 8 OIL SEAL			13206-300-000	ROD COMP. F, CONNECTING	4	4	
CONNECTING ROD/CONNECTING	7.7		13208-300-000	ROD COMP. H, CONNECTING	4	4	
ROD BEARING			13210-300-000	ROD COMP. K, CONNECTING	4	4	
• Add 0.4							
		3	13213-333-003	BOLT, CONNECTING ROD (TOKAI)	8	8	
		4	13214-300-000	NUT, CONNECTING ROD	8	8	
		5	13215-300-013	BEARING A, CONNECTING ROD	8	8	
			13216-300-013	BEARING B, CONNECTING ROD (DAIDO)	8	8	
			13217-300-013	BEARING C, CONNECTING ROD (DAIDO)	8	8	
			13218-300-013	BEARING D, CONNECTING ROD (DAIDO)	8	8	
		6	13315-300-013	BEARING A, CRANKSHAFT (DAIDO)	10	10	
			13316-300-013	BEARING B, CRANKSHAFT (DAIDO)	10	10	
			13317-300-013	BEARING C, CRANKSHAFT (DAIDO)	10	10	
			13318-300-013	BEARING D, CRANKSHAFT (DAIDO)	10	10	
		7	91201-300-003	OIL SEAL, 30x42x8	1	1	

Selection table of connecting rod big end bearing

Connecting rod allowance	Crank pin allowance	Bearing mark (color)					
		3	4	5	6	7	8
3 ϕ +0.024 -0.016	3 ϕ +0 -0.005	B (BROWN)	C (GREEN)	D (YELLOW)	A (BLACK)	B (BROWN)	C (GREEN)
2 ϕ +0.016 -0.008	3 ϕ -0.005 -0.010	22-41	22-43	22-45	25-46	22-43	25-46
1 ϕ +0.008 0	3 ϕ -0.010 -0.015	20-41	22-43	25-46	22-43	25-46	22-43

Selection table of crankshaft journal main bearing

Crankcase allowance	Crankshaft journal allowance	Bearing mark (color)					
		A	B	C	D	E	F
C +0.024 +0.016	3 ϕ +0 -0.005	B (BROWN)	C (GREEN)	D (YELLOW)	A (BLACK)	B (BROWN)	C (GREEN)
B +0.016 +0.008	3 ϕ -0.005 -0.010	20-41	22-43	22-45	25-46	22-43	25-46
A +0.008 0	3 ϕ -0.010 -0.015	20-41	22-43	25-46	22-43	25-46	22-43

1976.07.10

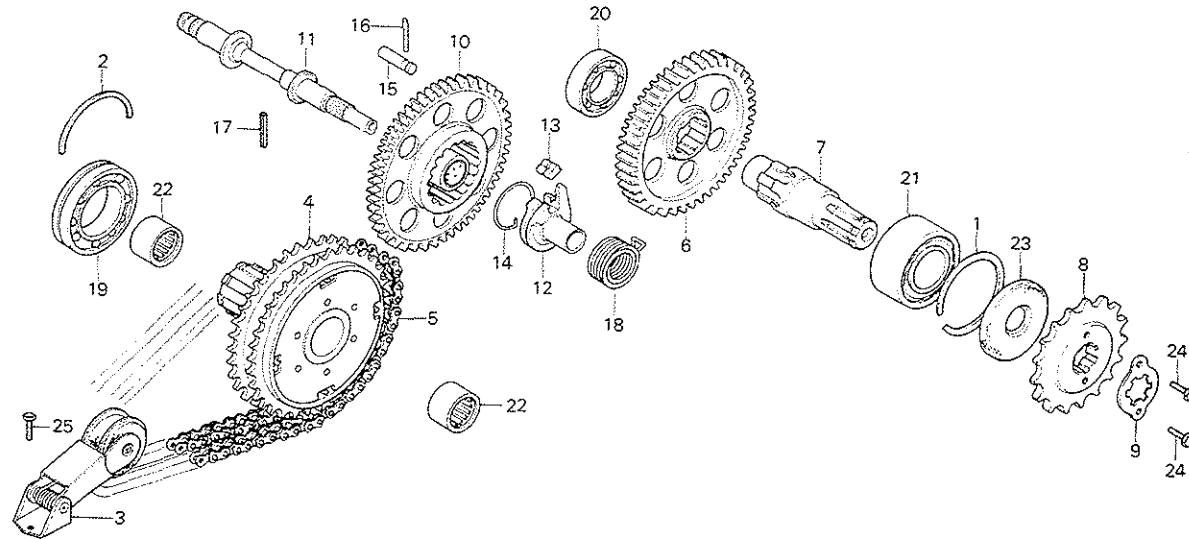
04



Block No.

E-15

**Primary Chain •
Final Driven Gear •
Kick Spindle**



Courtesy of  Honda4Fun
www.honda4fun.com www.honda4fun.com

8392-15

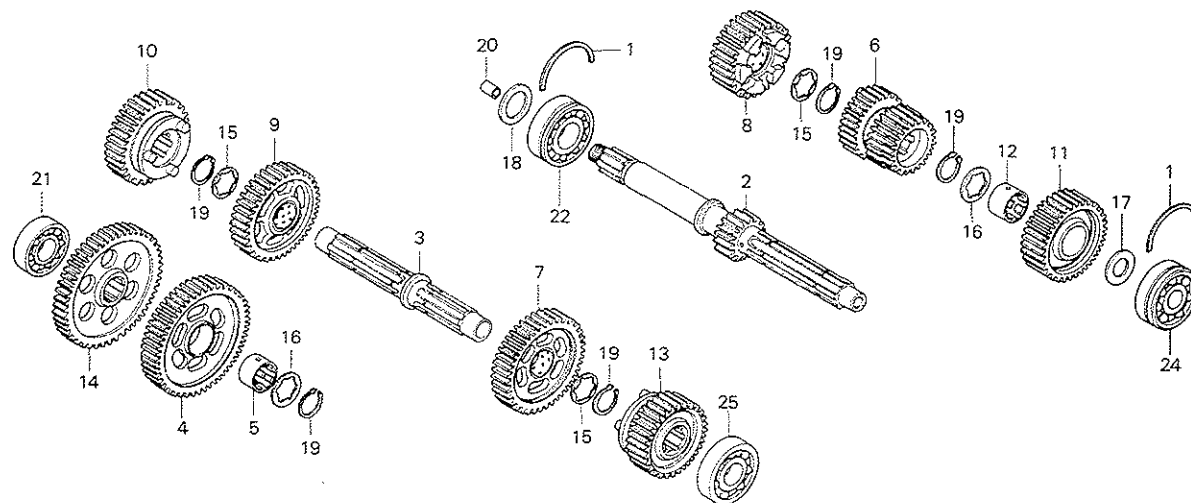
Service Item	F.R.T.	Ref. No.	Part No.	Description	Reqd. No.		Serial No.	Area Code
					CB750F	CB750F1		
PRIMARY CHAIN	47.7	1	13491-300-000	RING, BEARING SET, 66.5MM	1	1		
PRIMARY DRIVEN SPROCKET and its related parts	45.9	2	13496-300-000	RING B, BALL BEARING SET	1	1		
FINAL DRIVEN SHAFT and its related parts	45.7	3	13620-300-010	TENSIONER COMP., PRIMARY CHAIN	1	1		
KICK STARTER SPINDLE and its related parts • PRIMARY CHAIN TENSIONER	45.6	4	23110-392-000	SPROCKET COMP., PRIMARY DRIVEN	1	1		
DRIVE SPROCKET	0.2	5	23131-300-015	CHAIN, PRIMARY (68L TAKASAGO)	2	2		
		6	23511-392-000	GEAR, FINAL DRIVEN (50T)	1	1		
		7	23521-392-000	SHAFT, FINAL DRIVEN	1	1		
		8	23801-300-010	SPROKET, DRIVE (17T)	1	1		
		9	23811-292-000	PLATE, DRIVE SPROCKET FIXING	1	1		
		10	28210-300-000	GEAR, KICK STARTER	1	1		
		11	28250-300-020	SPINDLE, KICK STARTER	1	1		
		12	28251-300-030	FLANGE, KICK STARTER	1			
			28271-393-000	FLANGE, KICK STARTER	1		2551500	
		13	28252-300-020	PAWL, KICK STARTER	1	1	2551501	
		14	28253-300-000	SPRING, KICK STARTER RACHET	1	1		
		15	28254-300-000	PIN, KICK STOPPER	1	1		
		16	28255-300-000	PIN, 4X37	1	1		
		17	28256-300-000	PIN, 6X35	1	1		
		18	28261-300-010	SPRING, KICK STARTER RETURN	1	1		
		19	91004-300-000	BEARING, SPECIAL BALL, 6008	1	1		
		20	91006-300-008	BEARING, SPECIAL BALL, 6205	1	1		
		21	91008-300-008	BEARING, BALL, 5206	1	1		
		22	91010-300-008	BEARING, NEEDLE 25X32X20	2	2		
		23	91205-300-005	OIL SEAL, 25X62X7	1	1		
		24	92000-06012	BOLT, HEX., 6X12	2	2		
		25	92000-06016	BOLT, HEX., 6X16	1	1		
			1976.07.10					
								D5



Block No.

E-16

Transmission



B392-16

Service Item	F.R.T.	Ref. No.	Part No.	Description	Reqd. No.		Serial No.	Area Code
					CB750F	CB750F1		
TRANSMISSION MAINSHAFT and its related parts • TRANSMISSION COUNTER SHAFT and its related parts * One motorcycle \approx 6.1 at transmission	\approx 5.8	1	13495-300-000	RING A; BALL BEARING SET	2	2		
		2	23210-392-000	MAINSHAFT COMP., TRANSMISSION (18T)	1	1		
		3	23220-371-000	COUNTERSHAFT, TRANSMISSION	1	1		
		4	23421-300-050	GEAR, COUNTERSHAFT LOW (45T)	1	1		
		5	23425-392-000	BUSH, SPLINE 29MM	1	1		
		6	23431-392-000	GEAR, MAINSHAFT SECOND, THIRD (24T, 27T)	1	1		
		7	23440-392-000	GEAR COMP., COUNTERSHAFT SECOND (41T)	1	1		
		8	23450-392-000	GEAR COMP., MAINSHAFT FOURTH (30T)	1	1		
		9	23460-392-000	GEAR COMP., COUNTERSHAFT THIRD (36T)	1	1		
		10	23471-300-010	GEAR, COUNTERSHAFT FOURTH (34T)	1	1		
		11	23481-300-020	GEAR, MAIN SHAFT TOP (33T)	1	1		
		12	23485-392-000	BUSH, SPLINE 28MM	1	1		
		13	23491-392-000	GEAR, COUNTERSHAFT TOP (32T)	1	1		
		14	23501-392-000	GEAR, FINAL DRIVE (43T)	1	1		
		15	90451-371-000	WASHER, THRUST 25MM	3	3		
		16	90452-371-000	WASHER, THRUST 25X34	2	2		
		17	90458-292-000	WASHER, THRUST, 20MM	1	1		
		18	90458-506-810	WASHER A, THRUST, 25MM	1	1		
		19	90601-300-000	CIR CLIP, 25MM	5	5		
		20	90809-300-300	PLUG, SPECIAL, 10X10	1	1		

1976.07.10

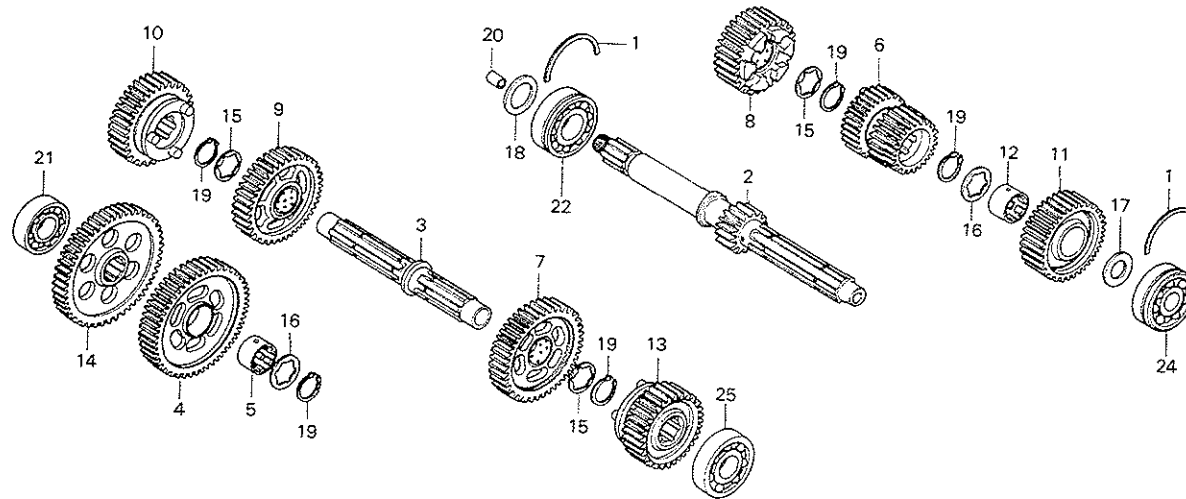
D6

D 7

Block No.

E-16

Transmission



Courtesy of  Honda4Fun
www.hondafour.com www.honda4fun.com

B392-16

Service Item	F.R.T.	Ref. No.	Part No.	Description	Reqd. No.		Area Code
					CB750F	CB750F1	
		21	91001-035-000	BEARING, RADIAL BALL, 6304	1	1	
		22	91002-300-004	BEARING, SPECIAL BALL, 6205	1	1	
			91002-300-008	BEARING, SPECIAL BALL, 6205	1	1	
		24	91003-235-000	BEARING, BALL, HC 6305	1	1	
		25	96100-62040	BEARING, RADIAL BALL, 6204	1	1	

1976.07.10

07



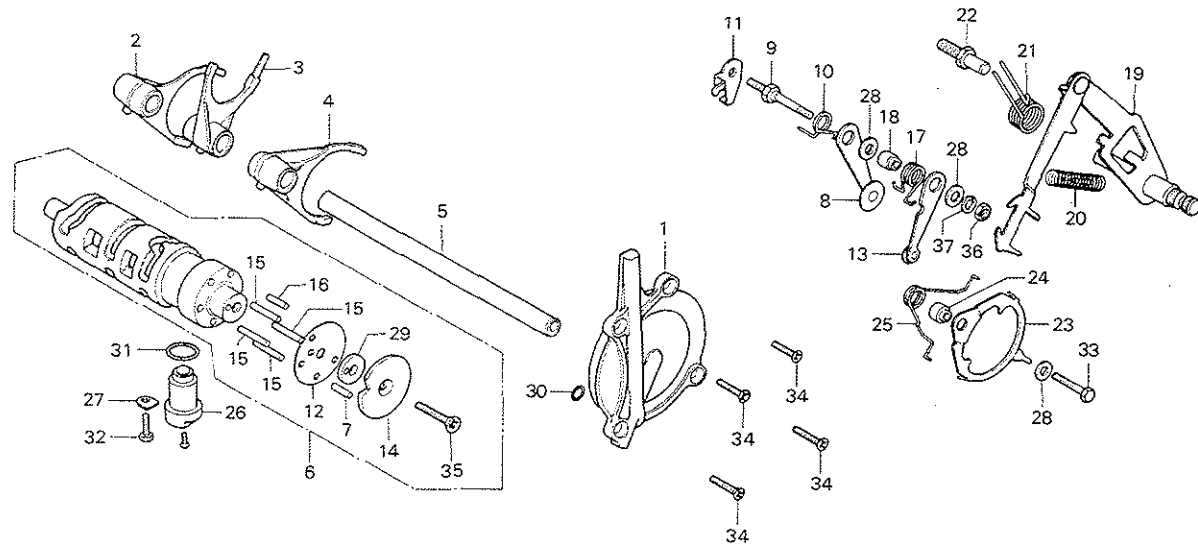
Block No.

E-17

**Shift Drum •
Shift Spindle**



Courtesy of www.hondafour.com www.honda4fun.com



B392-17

Service Item	F.R.T.	Ref. No.	Part No.	Description	Reqd. No.		Serial No.	Area Code
					CB750F	CB750F1		
GEAR SHIFT FORK/GEAR SHIFT DRUM and those related parts	±5.8	1	23150-300-010	HOLDER COMP., COUNTER SHAFT BEARING	1	1		
COUNTER SHAFT BEARING HOLDER	0.7	2	24211-300-020	FORK, R. GEAR SHIFT	1	1		
SHIFT DRUM STOPPER/NEUTRAL STOPPER ARM/GEAR SHIFT SPINDLE and those related parts	0.3	3	24212-300-020	FORK, CENTER GEAR SHIFT	1	1		
• NEUTRAL SWITCH		4	24213-300-020	FORK, L. GEAR SHIFT	1	1		
		5	24261-300-030	SHAFT, GEAR SHIFT FORK	1	1		
		6	24300-392-000	DRUM ASSY., GEAR SHIFT	1	1		
		7	24421-200-000	PIN, GEAR SHIFT DRUM	1	1		
		8	24430-392-000	STOPPER, SHIFT DRUM	1	1		
		9	24434-300-000	SHAFT, SHIFT DRUM STOPPER PIVOT	1	1		
		10	24435-300-030	SPRING, SHIFT DRUM STOPPER	1	1		
		11	24436-392-000	PLATE, SHIFT FORK SHAFT STOPPER	1	1		
		12	24438-392-000	PLATE, SPACER	1	1		
		13	24440-392-000	ARM COMP., NEUTRAL STOPPER	1	1		
		14	24441-392-000	PLATE, NEUTRAL STOPPER	1	1		
		15	24443-300-000	ROLLER, 4X23.8	4	4		
		16	24444-300-000	ROLLER, 4X20.6	1	1		
		17	24445-300-020	SPRING, NEUTRAL STOPPER	1	1		
		18	24447-300-000	PIVOT, NEUTRAL STOPPER	1	1		
		19	24610-300-010	SPINDLE COMP., GEAR SHIFT	1	1		
		20	24641-300-000	SPRING, GEAR SHIFT ARM	1	1		
		21	24651-300-020	SPRING, GEAR SHIFT RETURN	1	1		
		22	24652-300-000	PIN, SHIFT RETURN SPRING	1	1		
		23	24661-300-000	STOPPER, GEAR SHIFT POSITIVE	1	1		

1976.07.10

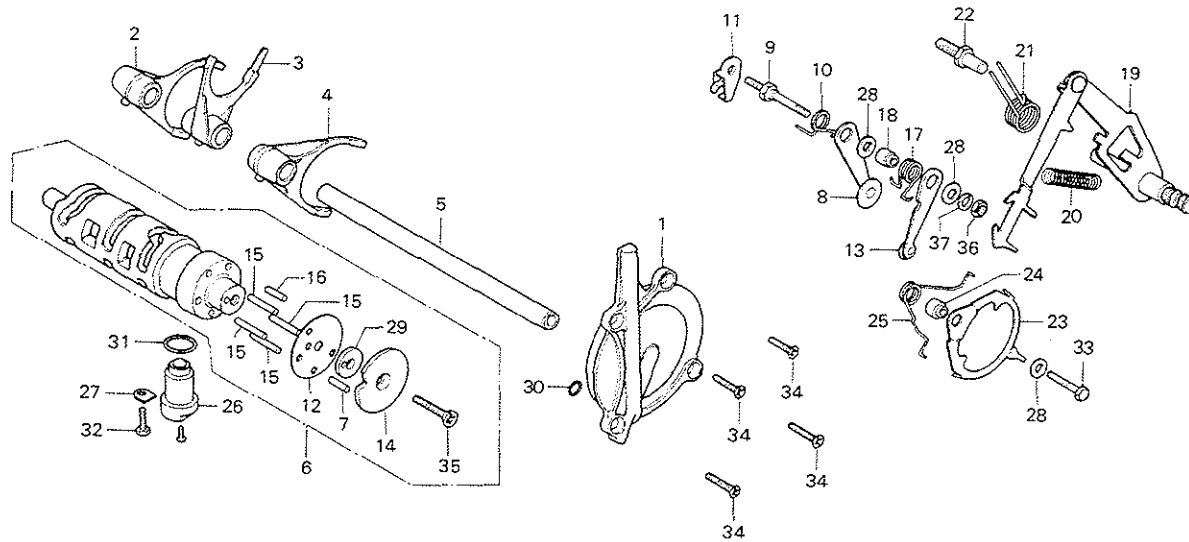
08



Block No.

E-17

**Shift Drum ·
Shift Spindle**



Courtesy of  Honda4Fun
www.hondafour.com www.honda4fun.com

8392-17

Service Item	F.R.T.	Ref. No.	Part No.	Description	Reqd. No.		Area Code
					GB750F	CB750F1	
		24	24663-300-000	COLLAR, STOPPER ARM	1	1	
		25	24666-300-000	SPRING, POSITIVE STOPPER	1	1	
		26	35752-300-010	SWITCH ASSY., NEUTRAL	1	1	
		27	35754-300-020	STOPPER, NEUTRAL SWITCH	1	1	
		28	90417-028-000	WASHER, SHIFT DRUM SIDE	3	3	
		29	90436-392-000	WASHER, 20MM	1	1	
		30	91301-283-005	O-RING, 5X2.4	1	1	
		31	91311-044-000	O-RING, 8X3	1	1	
		32	92000-06016	BOLT, HEX., 6X16	1	1	
		33	92000-06025	BOLT, HEX., 6X25	1	1	
		34	93600-06020	SCREW, FLAT, 6X20	4	4	
		35	93600-06028	SCREW, FLAT, 6X28	1	1	
		36	94001-06000	NUT, HEX., 6MM	1	1	
		37	94111-06000	WASHER, SPRING, 6MM	1	1	

D 10

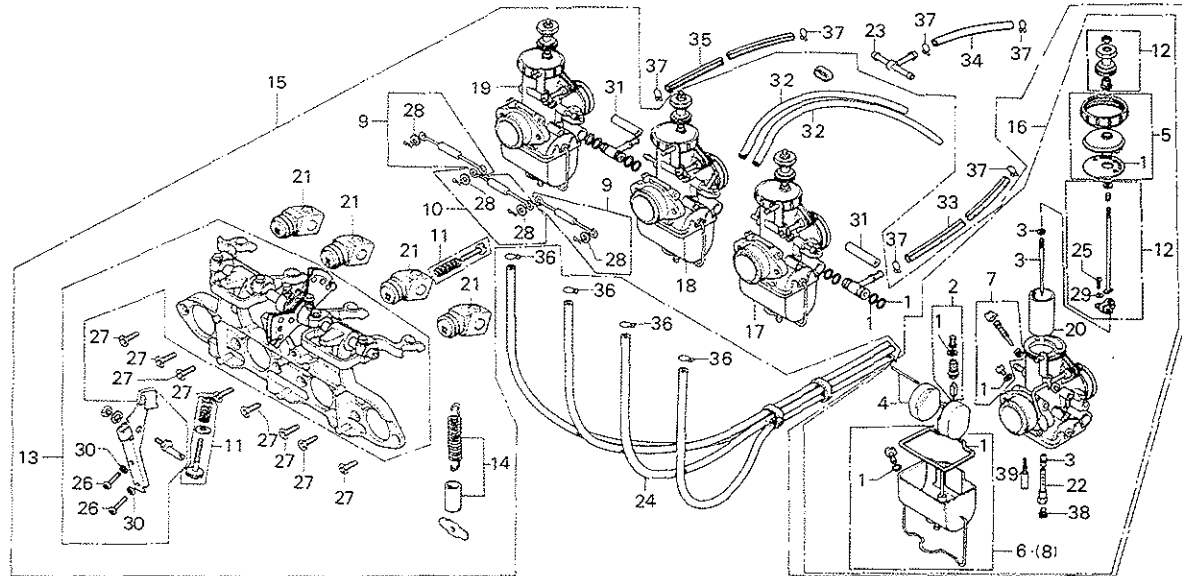
Block No.

E-18

Carburetor



Courtesy of Honda4Fun
www.honda4fun.com



8392-18

Service Item	F.R.T.	Ref. No.	Part No.	Description	Reqd. No.		Serial No.	Area Code
					CB750F	CB750F1		
CARBURETOR ASSY.	0.8	1	16010-300-014	GASKET SET	4	4		
STAY PLATE KIT	1.5	2	16011-341-004	VALVE SET, FLOAT	4	4		
GASKET KIT	1.3	3	16012-392-004	NEEDLE SET, JET	4	4		
• Add 0.6		4	16013-300-004	FLOAT SET	4	4		
FLOAT VALVE KIT/FLOAT KIT/JET NEEDLE KIT	1.1	5	16014-300-014	TOP SET	4	4		
• Add 0.3		6	16015-300-004	CHAMBER SET A, FLOAT	2	2		
CHOKEROD KIT/THROTTLE VALVE KIT	1.0	7	16016-392-004	SCREW SET A	4	4		
• Add 0.2		8	16023-300-004	CHAMBER SET B, FLOAT	2	2		
CARBURETOR ASSY. A	1.0	9	16025-300-004	ROD SET A, CHOKE	2	2		
• Add 0.2		10	16026-300-004	ROD SET B, CHOKE	1	1		
MAIN JET/SLOW JET	1.0	11	16028-300-004	SCREW SET B	1	1		
• Add 0.1		12	16032-300-004	ROD SET, THROTTLE	4	4		
TOP KIT	0.9	13	16035-392-004	PLATE SET, STAY	1	1		
• Add 0.2		14	16036-392-004	TUBE SET, PROTECT	1	1		
FLOAT CHAMBER KIT	0.9	15	16100-392-004	CARBURETOR ASSY.	1	1		
• Add 0.1		16	16101-392-004	CARBURETOR ASSY. A	1	1		
SCREW KIT	0.2	17	16102-392-004	CARBURETOR ASSY. B	1	1		
		18	16103-392-004	CARBURETOR ASSY. C	1	1		
		19	16104-392-004	CARBURETOR ASSY. D	1	1		
		20	16141-300-014	VALVE, THROTTLE	4	4		
		21	16154-300-004	CAP, DUST	4	4		
		22	16165-341-004	HOLDER, NEEDLE JET	4	4		
		23	16235-657-000	JOINT, FUEL	1	1		
		24	16290-300-010	TUBE, OVER FLOW	1	1		
		25	93500-03010-0A	SCREW, PAN, 3X10	8	8		

1976.07.10

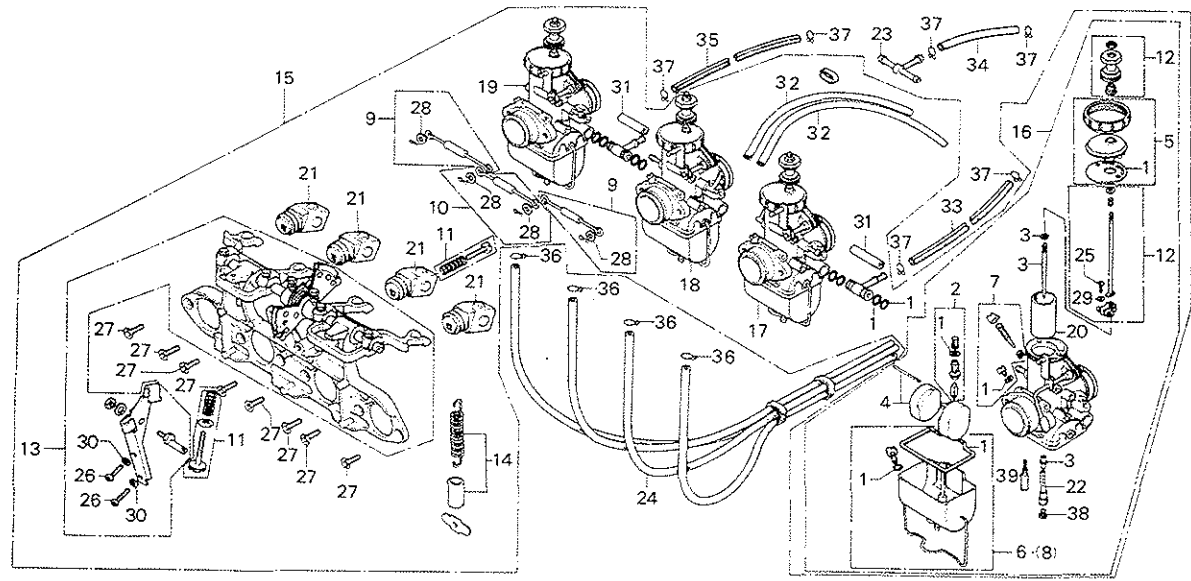
D10

D 11

Block No.
E-18
Carburetor



Courtesy of Honda4Fun
www.honda4fun.com



B392-18

Service Item	F.R.T.	Ref. No.	Part No.	Description	Reqd. No.		Area Code
					CB750F	CB750F1	
		26	93500-06012	SCREW, PAN, 6X12	2	2	
		27	93600-06016	SCREW, FLAT, 6X16	8	8	
		28	94101-05000	WASHER, PLAIN, 5MM	4	4	
		29	94111-03000	WASHER, SPRING, 3MM	8	8	
		30	94111-06000	WASHER, SPRING, 6MM	2	2	
		31	95001-35026	TUBE, FUEL, 3.5X26	2	2	
		32	95001-35240	TUBE, FUEL, 3.5X240	2	2	
		33	95001-55080-40	TUBE, FUEL, 5.3X80	1	1	
		34	95001-55160-40	TUBE, FUEL, 5.5X160	1	1	
		35	95001-55190-40	TUBE, FUEL, 5.5X190	1	1	
		36	95002-02070	CLIP, TUBE, 87	4	4	
		37	95002-02100	CLIP, TUBE, 810	6	6	
		38	99114-246-1050	JET, MAIN (#105)	4	4	
		39	99124-076-0400	JET, SLOW, (#40)	4	4	

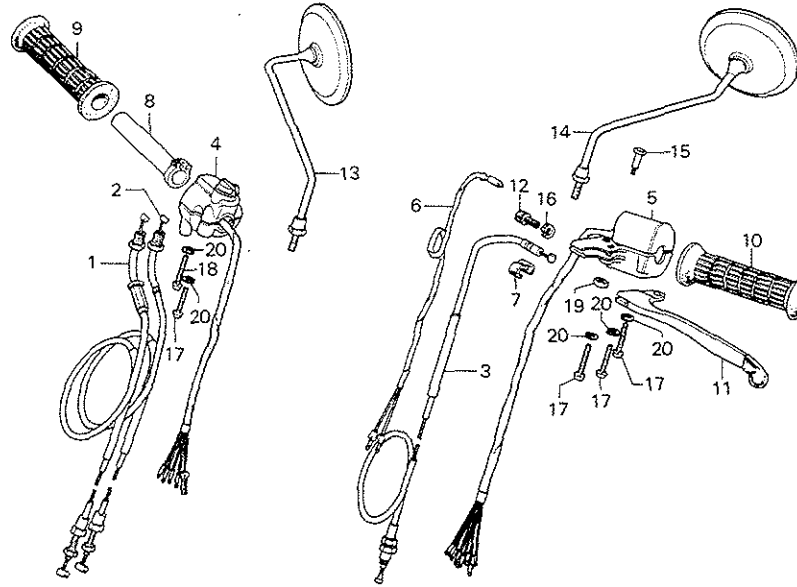
G 2

Block No.

F-1

**Handle Lever •
Switch • Cable**

Courtesy of  Honda4Fun
www.hondafour.com www.honda4fun.com



8392-19

Service Item	F.R.T.	Ref. No.	Part No.	Description	Reqd. No.		Serial No.	Area Code
					CB750F	CB750F1		
STARTER KILL SWITCH ASSY.	0.6	1	17910-341-000	CABLE COMP. A, THROTTLE	1	1		A,CM,DK,DM,U
THROTTLE CABLE	0.5		17910-341-611	CABLE COMP. A, THROTTLE		1		E,ED,F,G
• One or all		2	17920-341-000	CABLE COMP. B, THROTTLE	1	1		A,CM,DK,DM,U
• WINKER SWITCH ASSY.			17920-341-611	CABLE COMP. B, THROTTLE		1		E,ED,F,G
CLUTCH CABLE	0.4	3	22870-392-000	CABLE COMP., CLUTCH	1	1		A,CM,DK,DM,U
CLUTCH LEVER SWITCH	0.2	4	22870-392-610	CABLE COMP., CLUTCH		1		E,ED,F,G
• THROTTLE GRIP PIPE			35130-377-670	SWITCH ASSY., STARTER KILL	1	1		A,CM
STEERING HANDLE LEVER	0.1		35150-377-013	SWITCH ASSY., STARTER KILL		1		DK,DM,E,ED,F,G,U
• GRIP RUBBER		5	35200-390-671	(TOYO) SWITCH ASSY., TURN SIGNAL	1	1		A,CM
• BACK MIRROR			35200-390-003	SWITCH ASSY., TURN SIGNAL, HORN, PASSING		1		DK,DM,E,ED,F,G,U
• One or all at back mirror		6	35360-341-000	SWITCH ASSY., CLUTCH LEVER	1	1		
		7	45465-341-700	CLIP, WIRE	1	1		
		8	53141-300-010	PIPE, THROTTLE GRIP	1	1		
		9	53165-342-670	RUBBER, R. GRIP	1	1		
		10	53166-342-670	RUBBER, L. GRIP	1	1		
		11	53190-369-700	LEVER COMP., L. STEERING HANDLE	1	1		
		12	53192-268-000	BOLT, CLUTCH WIRE ADJUSTING	1	1		
		13	88100-333-610	MIRROR, R. BACK	1	1		A,CM,DK,DM,E,ED,G
			88100-369-650	MIRROR, R. BACK		1		U
			88110-304-621	MIRROR, R. BACK		1		F
		14	88120-304-621	MIRROR, L. BACK		1		F
			88120-333-610	MIRROR, L. BACK		1		A,CM,DK,DM,E,ED,G
			88120-369-650	MIRROR, L. BACK		1		U
		15	90114-268-020	BOLT, HANDLE LEVER PIVOT	1	1		

1976.07.10

G2

FRAME GROUP



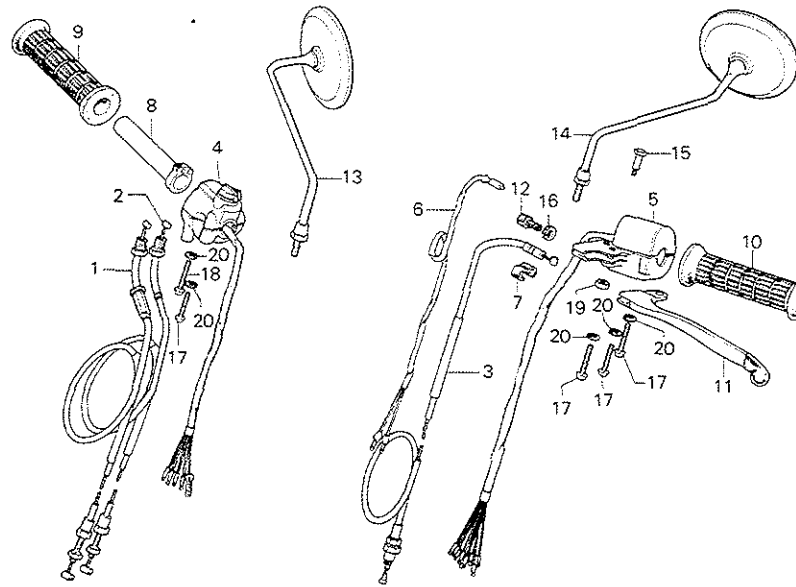
Block No.

F-1

**Handle Lever ·
Switch · Cable**



Courtesy of Honda4Fun
www.honda4fun.com



B392-19

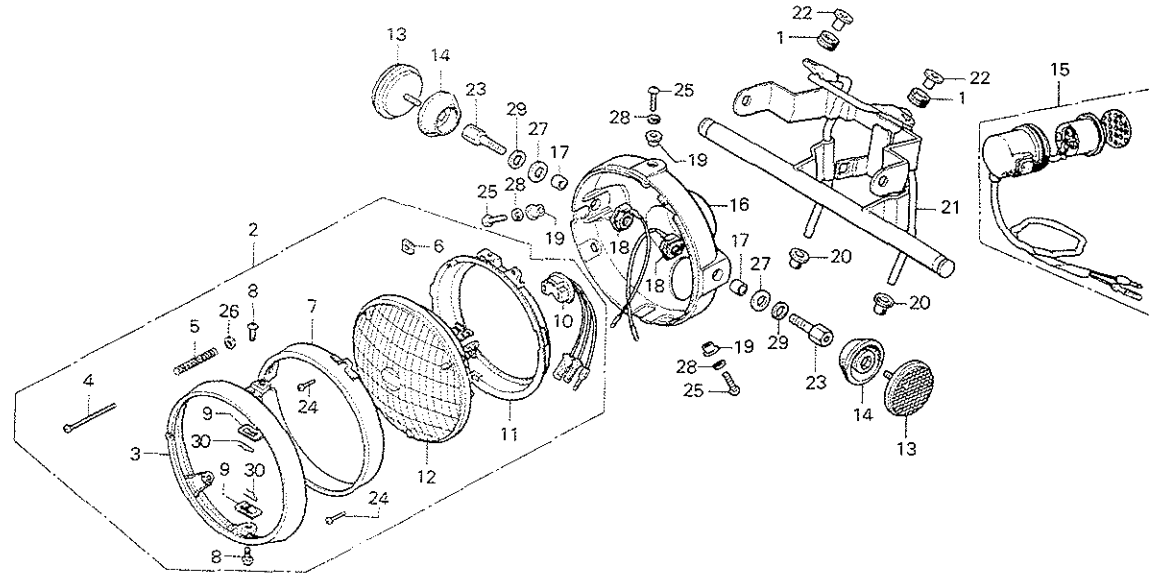
Service Item	F.R.T.	Ref. No.	Part No.	Description	Reqd. No.		Area Code
					CB750F	CB750F1	
		16	90321-292-000	NUT, FIXING	1	1	
		17	93500-05025-0A	SCREW, PAN. 5X25	4	4	
		18	93500-05032-0A	SCREW, PAN, 5X32	1	1	
		19	94001-06000	NUT, HEX., 6MM	1	1	
		20	94111-05000	WASHER, SPRING, 5MM	5	5	

G 4

Block No.

F-2

**Head Light
(A, CM)**



B392-20

Courtesy of  Honda4Fun
www.honda4fun.com

	F.R.T.	Ref. No.	Part No.	Description	Reqd. No.		Serial No.	Area Code
					CB750F	CB750F1		
HEADLIGHT STAY	0.6	1	17245-107-010	RUBBER, AIR CLEANER CASE MOUNT	2	2		A>CM
HEADLIGHT CASE	0.3	2	33100-371-672	LIGHT ASSY., HEAD (12V50/40W STANLEY)	1	1		A>CM
• WINKER BUZZER ASSY.								
SEALD BEAM UNIT and its related parts	0.2	3	33101-300-673	RIM, HEAD LIGHT	1	1		A>CM
HEADLIGHT ASSY./CORD SOCKET	0.1	4	33103-346-670	SCREW, BEAM ADJUST	1	1		A>CM
• FRONT REFLEX REFLECTOR		5	33107-300-003	SPRING, HEAD LIGHT BEAM ADJUSTING	1	1		A>CM
* One or all at reflector								
		6	33117-001-003	NUT, HEAD LIGHT BEAM ADJUSTING	1	1		A>CM
		7	33121-375-671	RING, RETAINING	1	1		A>CM
		8	33125-292-670	SCREW, UNIT HOLDER	2	2		A>CM
		9	33128-292-670	NUT, UNIT HOLDER	2	2		A>CM
		10	33130-300-671	SOCKET COMP., HEAD LIGHT CORD	1	1		A>CM
		11	33153-375-671	RING, MOUNTING	1	1		A>CM
		12	33321-371-672	BEAM UNIT, SEALED (12V50/40W STANLEY)	1	1		A>CM
		13	33741-340-670	REFLECTOR, FR. REFLEX	2	2		A>CM
		14	33743-375-000	BASE, FR. REFLECTOR	2	2		A>CM
		15	38400-341-674	BUZZER ASSY., WINKER	1	1		A>CM
		16	61301-375-003B	CASE, HEAD LIGHT (STANLEY)	1	1		A>CM
		17	61302-300-000	COLLAR, HEAD LIGHT CASE	2	2		A>CM
		18	61303-336-000	WASHER, HEAD LIGHT CASE	2	2		A>CM
		19	61304-292-000	COLLAR, HEAD LIGHT SETTING	3	3		A>CM
		20	61312-392-000	GROMMET, HEAD LIGHT STAY	2	2		A>CM
		21	61313-392-000	STAY, HEAD LIGHT	1	1		A>CM
		22	80106-329-690	COLLAR C, 6.3 MOUNTING	2	2		A>CM
		23	90120-377-000	BOLT, HEAD LIGHT STAY	2	2		A>CM

1976.07.10

G4



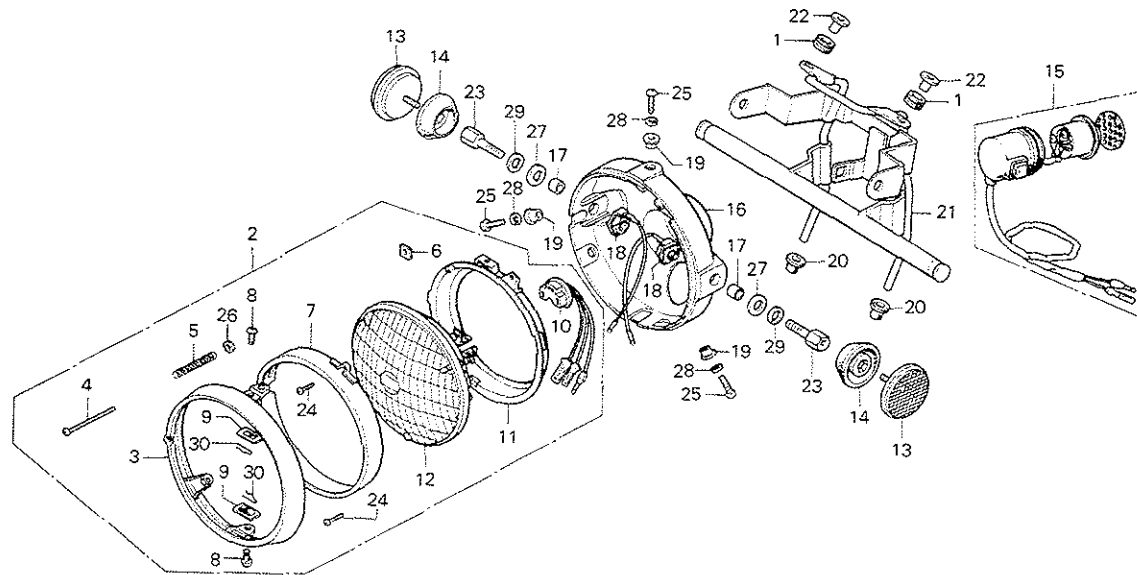
Block No.

F-2

**Head Light
(A, CM)**



Courtesy of Honda4Fun
www.honda4fun.com



B392-20

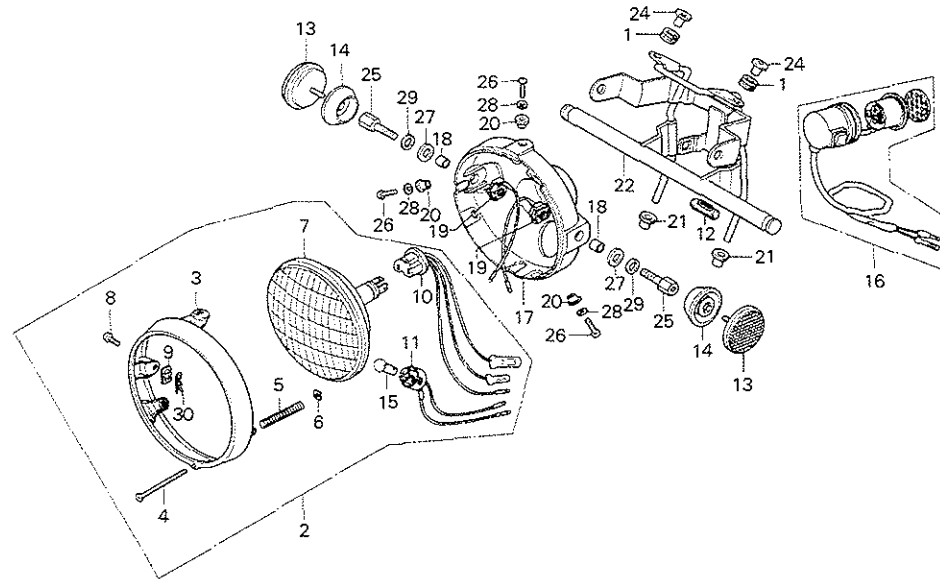
Service Item	F.R.T.	Ref. No.	Part No.	Description	Reqd. No.		Serial No.	Area Code
					CB750F	CB750F1		
		24	93500-03012-38	SCREW, PAN, 3X12	2	2		A*CM
		25	93500-05016-08	SCREW, PAN, 5X16	3	3		A*CM
		26	94101-04000	WASHER, PLAIN, 4MM	1	1		A*CM
		27	94101-10200	WASHER, PLAIN, 10MM	2	2		A*CM
		28	94111-05000	WASHER, SPRING, 5MM	3	3		A*CM
		29	94111-10000	WASHER, SPRING, 10MM	2	2		A*CM
		30	94251-05000	PIN, LOCK, 5MM	2	2		A*CM



Block No.

F-2-1

Head Light
(DK, DM, E, U)



B392-20-1

Service Item	F.R.T.	Ref. No.	Part No.	Description	Reqd. No.		Serial No.	Area Code
					CB750F	CB750F1		
HEADLIGHT STAY	0.6	1	17245-107-010	RUBBER, AIR CLEANER CASE MOUNT	2			DK, DM, E, U
HEADLIGHT CASE	0.3	2	33100-375-003	LIGHT ASSY., HEAD (12V 50/40W) (STANLEY)	1			DK, DM, E, U
• WINKER BUZZER ASSY.		3	33101-300-043	RIM, HEAD LIGHT	1			DK, DM, E, U
HEADLIGHT UNIT and its related parts	0.2	4	33103-346-670	SCREW, BEAM ADJUST	1			DK, DM, E, U
HEADLIGHT ASSY./SOCKET/ MARKER LIGHT SOCKET	0.1	5	33107-300-003	SPRING, HEAD LIGHT BEAM ADJUSTING	1			DK, DM, E, U
• FRONT REFLEX REFLECTOR		6	33117-001-003	NUT, HEAD LIGHT BEAM ADJUSTING	1			DK, DM, E, U
* One or all at reflector		7	33120-375-003	LIGHT UNIT, HEAD (STANLEY)	1			DK, DM, E, U
		8	33125-087-761	SCREW, UNIT HOLDER	2			DK, DM, E, U
		9	33128-292-670	NUT, UNIT HOLDER	2			DK, DM, E, U
		10	33130-323-003	SOCKET COMP., HEAD LIGHT	1			DK, DM, E, U
		11	33170-323-003	SOCKET COMP., MARKER LIGHT	1			DK, DM, E, U
		12	33722-323-610	GROMMET, RR. TURN SIGNAL CORD	1			E
		13	33741-340-670	REFLECTOR, FR. REFLEX	2			DK, DM, E, U
		14	33743-375-000	BASE, FR. REFLECTOR	2			DK, DM, E, U
		15	34903-071-003	BULB, MARKER LIGHT (12V 3W) (STANLEY)	1			DK, DM, E, U
		16	38400-341-674	BUZZER ASSY., WINKER	1			DK, DM, E, U
		17	61301-375-003B	CASE, HEAD LIGHT (STANLEY)	1			DK, DM, E, U
		18	61302-300-000	COLLAR, HEAD LIGHT CASE	2			DK, DM, E, U
		19	61303-336-000	WASHER, HEAD LIGHT CASE	2			DK, DM, E, U
		20	61304-292-000	COLLAR, HEAD LIGHT SETTING	3			DK, DM, E, U
		21	61312-392-000	GROMMET, HEAD LIGHT STAY	2			DK, DM, E, U
		22	61313-392-000	STAY, HEAD LIGHT	1			DK, DM, U
			61313-392-600	STAY, HEAD LIGHT	1			E

1976.07.10

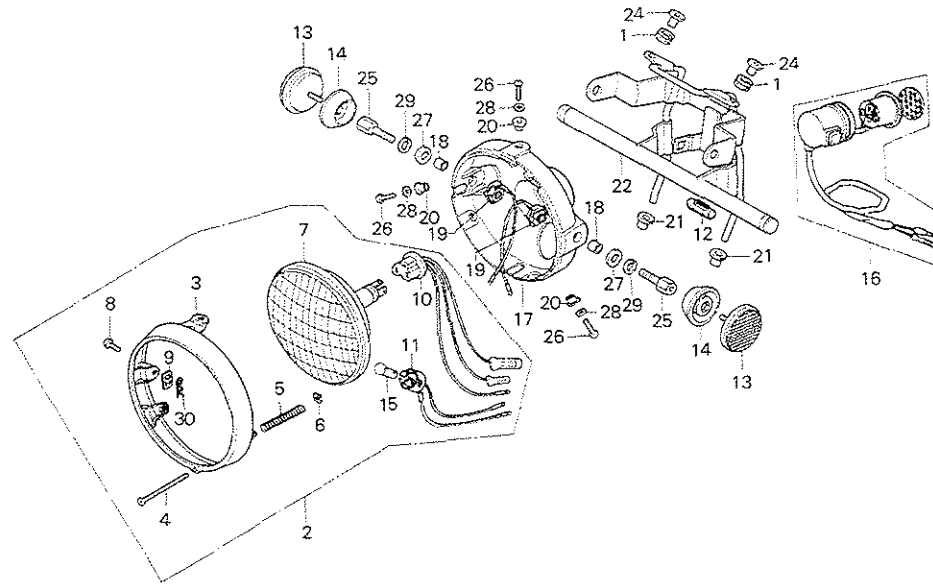
66



Block No.

F-2-1

Head Light
(DK, DM, E, U)



Courtesy of  Honda4Fun
www.honda4fun.com

8392-20-1

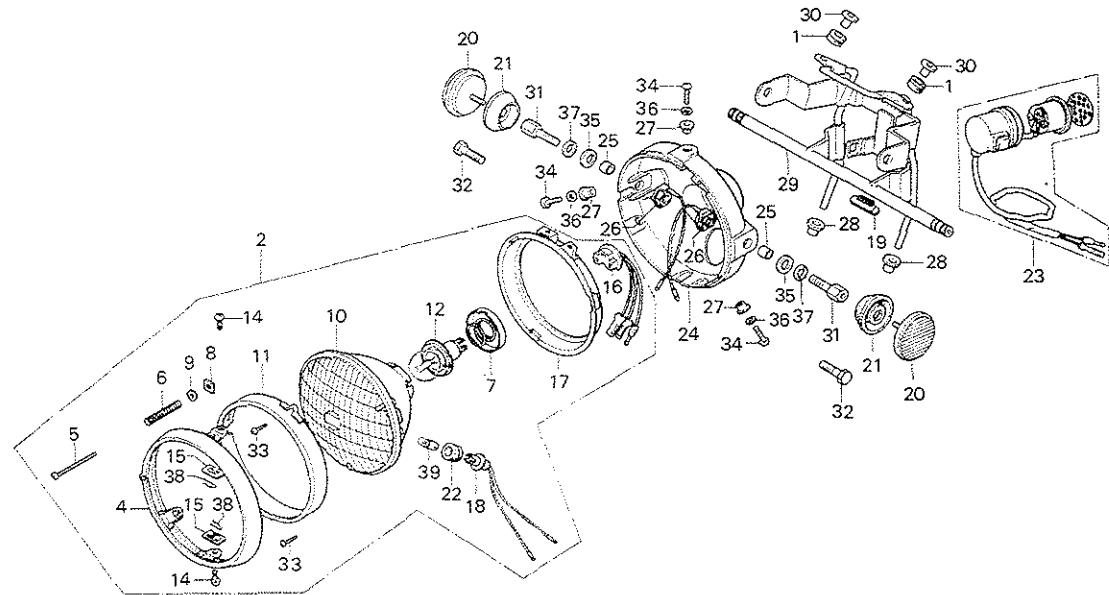
Service Item	F.R.T.	Ref. No.	Part No.	Description	Reqd. No. CB750F CB750F1	Serial No.	Area Code
		24	80106-329-690	COLLAR C, 6.3 MOUNTING	2		DK,DM,E,U
		25	90120-377-000	BOLT, HEAD LIGHT STAY	2		DK,DM,E,U
		26	93500-05016-CB	SCREW, PAN, 5X16	3		DK,DM,E,U
		27	94101-10200	WASHER, PLAIN, 10MM	2		DK,DM,E,U
		28	94111-05000	WASHER, SPRING, 5MM	3		DK,DM,E,U
		29	94111-10000	WASHER, SPRING, 10MM	2		DK,DM,E,U
		30	94251-05000	PIN, LOCK, 5MM	2		DK,DM,E,U



Block No.

F-2-2

**Head Light
(ED, F, G)**



8392-20-2

Service Item	F.R.T.	Ref. No.	Part No.	Description	Reqd. No.		Serial No.	Area Code
					CB750F	CB750F1		
HEADLIGHT STAY	0.6	1	17245-107-010	RUBBER, AIR CLEANER CASE MOUNT	2			ED,F,G
HEADLIGHT CASE	0.3	2	33100-390-611	LIGHT ASSY., HEAD	1			ED,G
• WINKER BUZZER ASSY.			33100-390-621	LIGHT ASSY., HEAD	1			F
HEADLIGHT UNIT and its related parts	0.2			(12V45/40W STANLEY)				
HEADLIGHT ASSY./SOCKET/ MARKER LIGHT SOCKET	0.1	4	33101-300-673	RIM, HEAD LIGHT	1			ED,F,G
• FRONT REFLEX REFLECTOR		5	33103-346-670	SCREW, BEAM ADJUST	1			ED,F,G
* One or all at reflector		6	33107-300-003	SPRING, HEAD LIGHT BEAM ADJUSTING	1			ED,F,G
		7	33114-390-611	HOLDER, HEAD LIGHT SOCKET	1			ED,F,G
		8	33117-001-003	NUT, HEAD LIGHT BEAM ADJUSTING	1			ED,F,G
		9	33119-371-003	WASHER, BEAM ADJUST	1			ED,F,G
		10	33120-390-611	LIGHT UNIT, HEAD	1			ED,F,G
		11	33121-375-671	RING, RETAINING	1			ED,F,G
		12	33122-623-621	BULB, HAED LIGHT (12V 45/40W)	1			F
			33122-623-721	BULB, HEAD LIGHT (12V45/40W) (PHILLIPS)	1			ED,G
		14	33125-087-621	SCREW, UNIT HOLDER	2			ED,F,G
		15	33128-292-670	NUT, UNIT HOLDER	2			ED,F,G
		16	33130-300-671	SOCKET COMP., HEAD LIGHT CORD	1			ED,F,G
		17	33153-375-671	RING, MOUNTING	1			ED,F,G
		18	33170-390-611	SOCKET COMP., MARKER LIGHT	1			ED,F,G
		19	33722-323-610	GROMMET, RR. TURN SIGNAL CORD	1			ED,F,G
		20	33741-340-670	REFLECTOR, FR. REFLEX	2			ED,G
		21	33743-375-000	BASE, FR. REFLECTOR	2			ED,G
		22	33905-303-003	RUBBER, JOINT	1			ED,F,G

1976.07.10

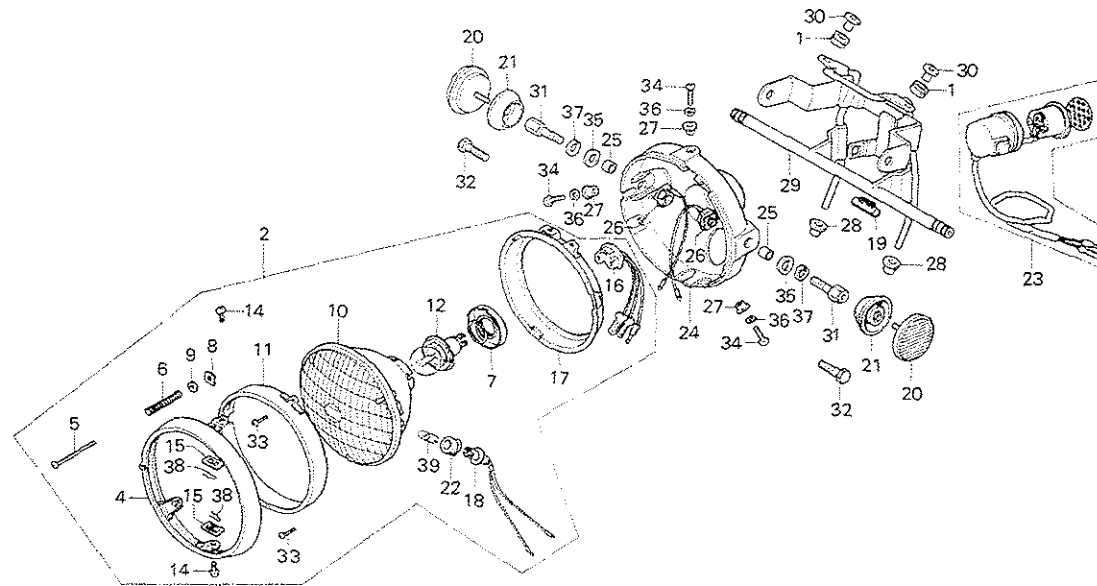
68



Block No.

F-2-2

**Head Light
(ED, F, G)**



Courtesy of  Honda4Fun
www.honda4fun.com www.honda4fun.com

B392-20-2

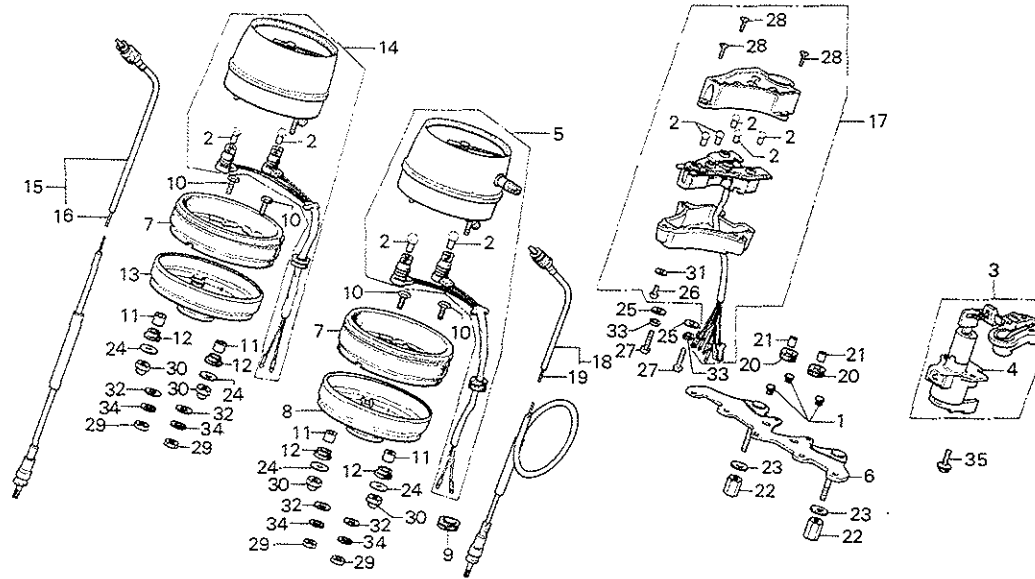
Service Item	F.R.T.	Ref. No.	Part No.	Description	Reqd. No.		Area Code
					CB750F	CB750F1	
		23	38400-341-674	BUZZER ASSY., WINKER	1		ED,F,G
		24	61301-375-0038	CASE, HEAD LIGHT (STANLEY)	1		ED,F,G
		25	61302-300-000	COLLAR, HEAD LIGHT CASE	2		ED,F,G
		26	61303-336-000	WASHER, HEAD LIGHT CASE	2		ED,F,G
		27	61304-292-000	COLLAR, HEAD LIGHT SETTING	3		ED,F,G
		28	61312-392-000	GROMMET, HEAD LIGHT STAY	2		ED,F,G
		29	61313-392-600	STAY, HEAD LIGHT	1		ED,F,G
		30	80106-329-690	COLLAR C, 6.3 MOUNTING	2		ED,F,G
		31	90120-377-000	BOLT, HEAD LIGHT STAY	2		FD,G
		32	92000-10025-08	BOLT, HEX., 10X25	2		F
		33	93500-03012-0A	SCREW, PAN, 3X12	2		ED,F,G
		34	93500-05016-08	SCREW, PAN, 5X16	3		ED,F,G
		35	94101-10200	WASHER, PLAIN, 10MM	2		ED,F,G
		36	94111-05000	WASHER, SPRING, 5MM	3		ED,F,G
		37	94111-10000	WASHER, SPRING, 10MM	2		ED,F,G
		38	94251-05000	PIN, LOCK, 5MM	2		ED,F,G
		39		BULB, MARKER LIGHT (LOCAL PROCUREMENT)	1		ED,F,G

G 10

Block No.

F-3

**Speedometer •
Tachometer •
Pilot Lamp • Key**



8392-21A

Service Item	F.R.T.	Ref. No.	Part No.	Description	Reqd. No.		Serial No.	Area Code	
					CB750F	CB750F1			
METER BRACKET	0.5	1	32700-390-000	GROMMET, METER BRACKET	3	3			
• COMBINATION PILOT ASSY.		2	34902-259-000	BULB, DUSH (12V 3.4W)	9	9			
KEY SET/LOCK & COMBINATION SWITCH ASSY.	0.4	3	35010-377-670	KEY SET	1	1		A	
SPEEDOMETER ASSY.	0.3		35010-377-000	KEY SET	1		1023955	CM,DK,DM,U	
• TACHOMETER ASSY.			35010-377-610	KEY SET	1		1023956	CM,DK,DM,U	
SPEEDOMETER CUSHION/UNDER PLATE	0.2	4	35100-377-003	SWITCH ASSY., COMBINATION (TOYO)	1	1		E,ED,F,G	
TACHOMETER CABLE	0.1		35100-377-611	SWITCH ASSY., COMBINATION (TOYO)	1			A,CM,DK,DM,U	
• SPEEDOMETER CABLE								E,ED,F,G	
• DUSH BULB									
		5	37200-392-671	SPEEDOMETER ASSY.	1			DK,ED,F,G,U	
			37200-392-621	SPEEDOMETER ASSY.	1			A,CM,DM,E	
			37200-392-771	SPEEDOMETER ASSY.	1				
		6	37211-392-000	BRACKET, METER	1	1			
		7	37235-323-700	CUSHION, SPEEDOMETER	2	2			
		8	37236-392-000	PLATE, SPEEDOMETER UNDER	1	1		A,CM,DM,E	
			37236-323-700	PLATE, SPEEDOMETER UNDER	1			DK,ED,F,G,U	
		9	37237-323-700	GROMMET, METER PLATE	1			DK,ED,F,G,U	
		10	37238-323-700	BOLT, METER SET, 6MM	4	4			
		11	37243-323-700	COLLAR, METER SET	4	4			
		12	37244-307-670	RUBBER, METER SET	4	4			
		13	37246-323-700	PLATE, TACHOMETER UNDER	1	1			
		14	37250-392-009	TACHOMETER ASSY.	1				
			37250-392-771	TACHOMETER ASSY.	1				
		15	37260-390-000	CABLE ASSY., TACHOMETER	1	1			
		16	37261-390-000	CABLE, TACHOMETER INNER	1	1			
1976.07.10					G10				

G 11

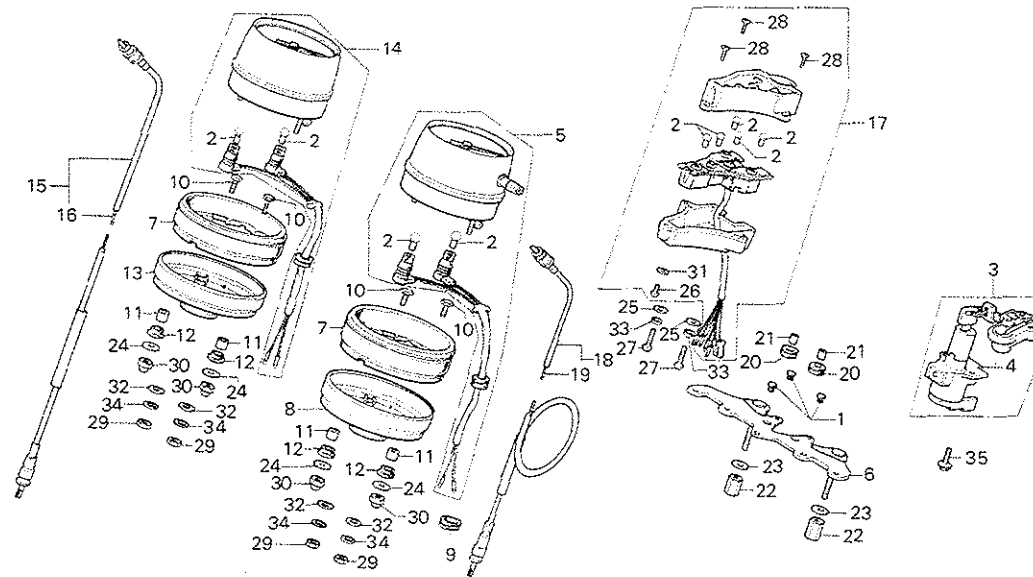
Block No.

F-3

**Speedometer ·
Tachometer ·
Pilot Lamp · Key**



Courtesy of Honda4Fun
www.honda4fun.com



B392-21A

Service Item	F.R.T.	Ref. No.	Part No.	Description	Reqd. No. CB750F CB750F1	Serial No.	Area Code
		17	37600-377-018	PILOT ASSY., COMBINATION (NIPPON SEIKI)	1	1	
		18	44830-392-000	CABLE ASSY., SPEEDOMETER	1	1	
		19	44831-300-672	CABLE, SPEEDOMETER INNER	1	1	
		20	80105-061-000	CUSHION A, RR. FENDER	2	2	
		21	80108-061-000	COLLAR A, RR. FENDER	2	2	
		22	90282-329-000	NUT, M6X15	2	2	
		23	90545-292-000	WASHER, 6.5X20	2	2	
		24	90545-323-700	WASHER, 6.5X18	4	4	
		25	90581-098-950	WASHER, PLAIN, 5X18	2	2	
		26	93500-05006-0G	SCREW, PAN, 5X6	1	1	
		27	93500-05020-0A	SCREW, PAN, 5X20	2	2	
		28	93902-24280	SCREW, TAPPING, 4X10	3	3	
		29	94001-06070	NUT, HEX., 6MM	4	4	
		30	94021-06020-0S	NUT, CAP 6MM	4	4	
		31	94101-05700	WASHER, PLAIN, 5MM	1	1	
		32	94101-06700	WASHER, PLAIN, 6MM	4	4	
		33	94111-05000	WASHER, SPRING, 5MM	2	2	
		34	94111-06700	WASHER, SPRING, 6MM	4	4	
		35	95700-06016	BOLT, FLANGE, 6X16	2	2	

1976.07.10

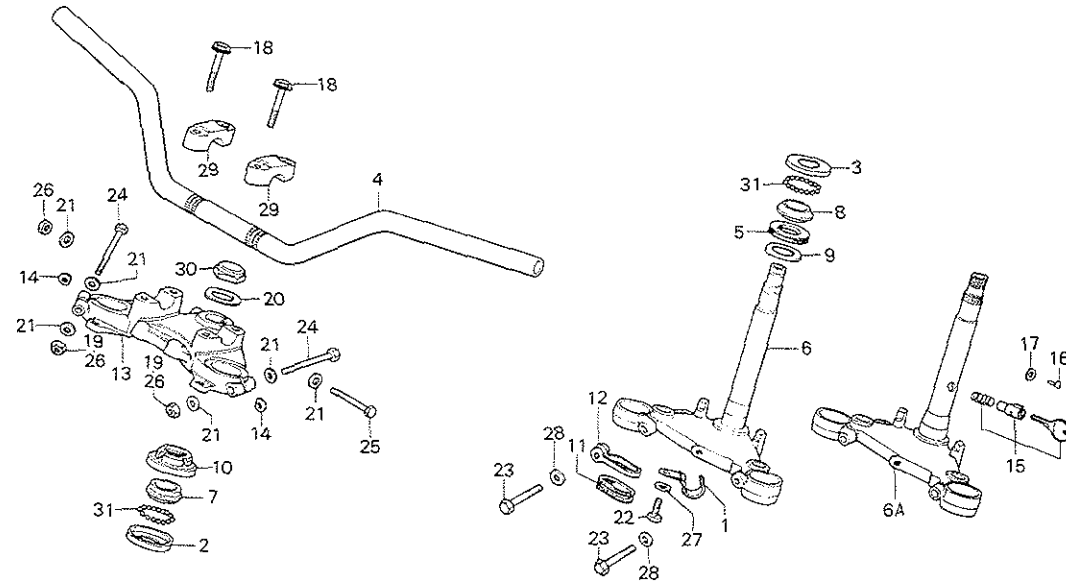
G11

G 12

Block No.

F-4

**Handle Pipe ·
Top Bridge · Stem**



B392-22A

Service Item	F.R.T.	Ref. No.	Part No.	Description	Reqd. No.		Serial No.	Area Code
					CB750F	CB750F1		
STEERING HANDLE PIPE	1.2	1	32123-390-000	CLIP, WIRE HARNESS	1	1		
STEERING BALL RACE	1.0	2	50301-268-305	RACE, STEERING TOP BALL	1	1		
* One or all		3	50302-268-305	RACE, STEERING BOTTOM BALL	1	1		
STEERING STEM/BOTTOM CONE RACE	0.9	4	53100-341-700	PIPE, STEERING HANDLE	1	1		A,CM,DK,DM,U
FORK TOP BRIDGE	0.6	5	53100-392-610	PIPE, STEERING HANDLE	1	1		E,ED,F,G
STEERING HEAD TOP THREAD/TOP CONE RACE	0.5			SEAL, STEERING HEAD DUST	1	1		
UPPER HOLDER	0.1	6	53200-392-000ZA	STEM COMP., STEERING *NH-1*	1	1		A,CM,DK,DM,U
* One or all		6A	53200-392-610ZA	STEM COMP., STEERING *NH-1*	1	1		E,ED,F,G
• HANDLE LOCK COMP.		7	53211-268-305	RACE, STEERING TOP CONE	1	1		
		8	53212-250-305	RACE, STEERING BOTTOM CONE	1	1		
		9	53215-250-000	WASHER, STEERING HEAD DUST	1	1		
				SEAL				
		10	53220-286-000	THREAD COMP., STEERING HEAD TOP	1	1		
		11	53225-333-000	GUIDE, INNER CABLE	1	1		
		12	53226-341-700	BRACKET, CABLE GUIDE	1	1		
		13	53230-392-000	BRIDGE, FORK TOP	1			
					1		1016330	DK,DM,U
					1		2009780	A
			53230-392-010	BRIDGE, FORK TOP	1		1016331	DK,DM,U
					1		2009781	A
					1			CM,E,ED,F,G
		14	53235-300-000	SPACER, FORK TOP BRIDGE	2			
					2		1016330	DK,DM,U
					2		2009780	A
		15	53600-051-000	LOCK COMP., HANDLE	1			E,ED,F,G
		16	53603-051-000	RIVET, 4MM	1			E,ED,F,G

1976.07.10

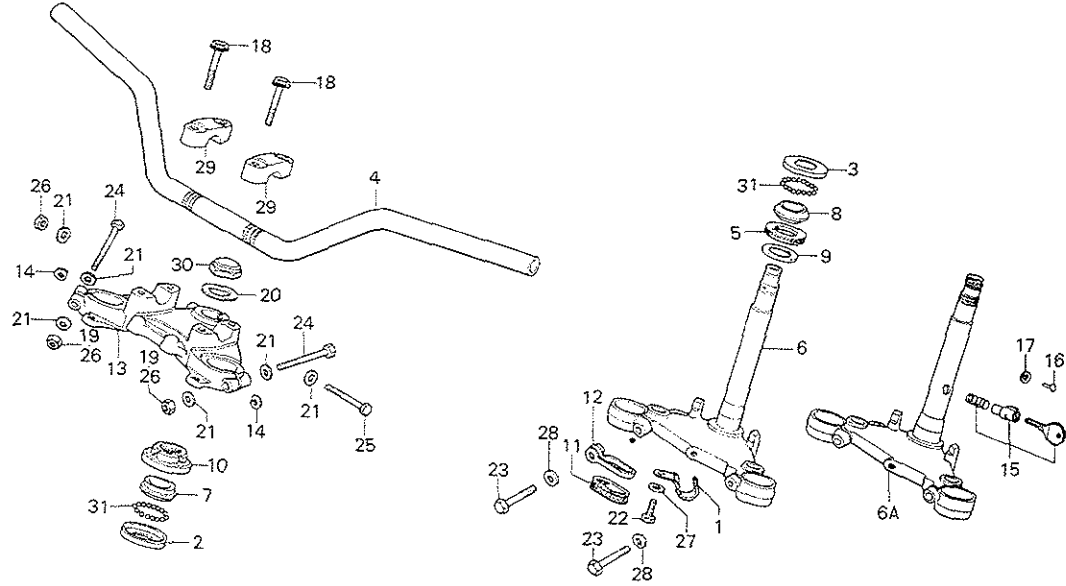
G12

G 14

Block No.

F-4

Handle Pipe ·
Top Bridge · Stem



B392-22A

Service Item	F.R.T.	Ref. No.	Part No.	Description	Reqd. No.		Serial No.	Area Code
					CB750F	CB750F1		
		28	94102-10000	WASHER, PLAIN, 10MM	2	2		
		29	95014-22200	HOLDER B2, UPPER	2	2		
		30	95020-11300	NUT, STEM, A3	1	1		
		31	96211-08000	BALL, STEEL, #8	37	37		

1976.07.10

G14

G 15

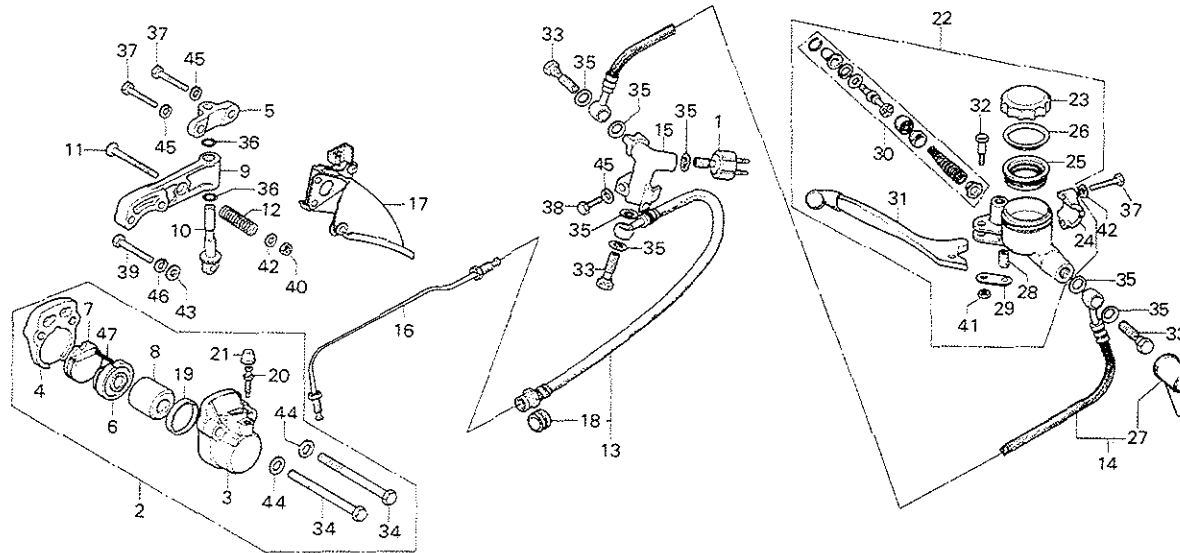
Block No.

F-5

**Front Master Cylinder •
Brake Caliper**



Courtesy of Honda4Fun
www.hondafour.com www.honda4fun.com



B392-23

Service Item	F.R.T.	Ref. No.	Part No.	Description	Reqd. No. CB750F CB750F1	Serial No.	Area Code
MASTER CYLINDER SET	0.4	1	35350-300-016	SWITCH, STOP (NAILS)	1		
• CALIPER A. and its related parts		2	45100-392-003	CALIPER ASSY. (TOKIKO)	1		
MASTER CYLINDER ASSY.	0.3	3	45101-392-003	CALIPER A (TOKIKO)	1		
• THREE WAY JOINT		4	45102-392-003	CALIPER B (TOKIKO)	1		
• FRONT BRAKE HOSE/BRAKE PIPE		5	45104-317-700	JOINT, CALIPER HOLDER	1		
• One or all at front brake hose		6	45105-390-003	PAD COMP. A (TOKIKO)	1		
• CALIPER ASSY.			45105-390-006	PAD COMP. A (ASAHI)	1		
• CALIPER HOLDER		7	45106-390-003	PAD COMP. B (TOKIKO)	1		
• FRONT BRAKE PIPE			45106-390-006	PAD COMP. B (ASAHI)	1		
STOP SWITCH	0.2	8	45107-392-003	PISTON COMP. (TOKIKO)	1		
• OIL BOLT		9	45115-392-003	HOLDER, CALIPER (ART)	1		
• CALIPER B.		10	45116-323-020	PIN, CALIPER HOLDER	1		
• PAD A./B.		11	45117-300-020	BOLT, CALIPER ADJUSTING	1		
• CALIPER HOLDER PIN					1	1023451	CM,DK,DM,E,ED,F,G,U
• BLEEDER					1		A
DISK COVER	0.1		45117-341-700	BOLT, CALIPER ADJUSTING	1	1023452	CM,DK,DM,E,ED,F,G,U
• CALIPER HOLDER JOINT		12	45119-300-020	SPRING, CALIPER ADJUSTING	1		
• STEERING HANDLE LEVER and its related parts		13	45125-379-003	HOSE A ASSY., FR. BRAKE	1		
• MASTER CYLINDER HOLDER		14	45126-341-003	HOSE ASSY., B. FR. BRAKE (NICHIRIN)	1		A,CM,DK,DM,U
			45126-300-612	HOSE ASSY., B. FR. BRAKE (NICHIRIN)	1		E,ED,F,G
		15	45127-323-000	JOINT, 3 WAY	1		
		16	45128-323-020	PIPE, FR. BRAKE	1		
		17	45140-341-670	COVER COMP., DISK	1		
		18	45146-300-000	GROMMET, BRAKE HOSE	1		
		19	45215-533-043	SEAL, PISTON	1		

1976.07.10

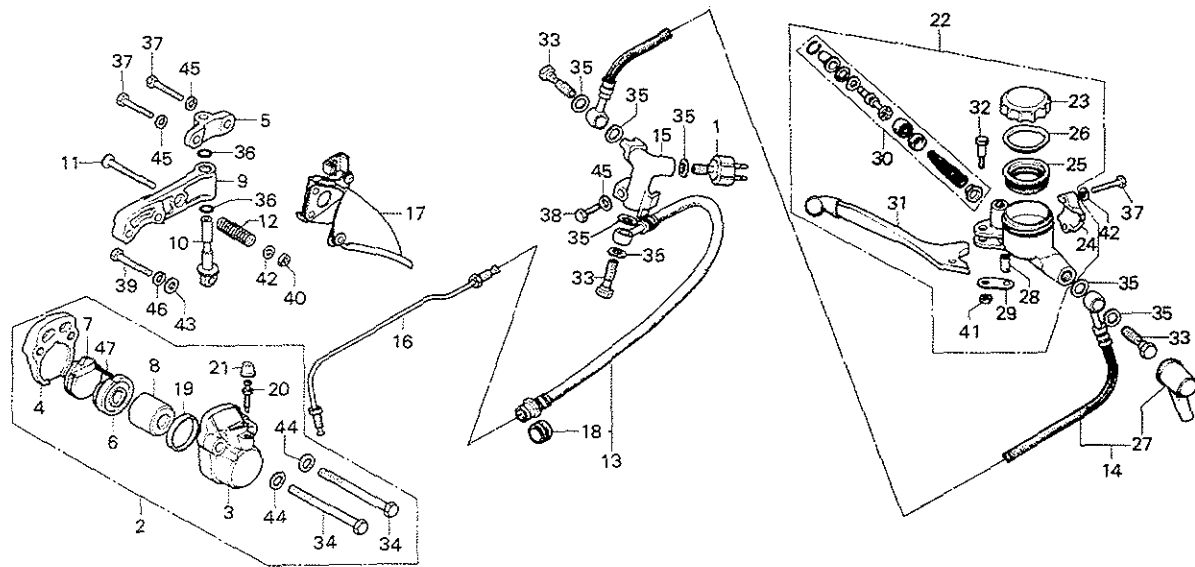
G15

G 16

Block No.

F-5

**Front Master Cylinder ·
Brake Caliper**



B392-23

Service Item	F.R.T.	Ref. No.	Part No.	Description	Reqd. No.		Serial No.	Area Code	
					CB750F	CB750F1			
		20	45224-579-013	VALVE, BLEEDER	1	1			
		21	45225-579-013	CAP, BLEEDER	1	1			
		22	45500-341-771	CYLINDER ASSY., MASTER	1	1		A,CM	
			45500-341-620	CYLINDER ASSY., MASTER	1	1		F,G	
			45500-341-671	CYLINDER ASSY., MASTER	1	1		DK,DM,E,ED,U	
		23	45513-341-771	CAP, OIL CUP	1	1		A,CM	
			45513-341-671	CAP, OIL CUP	1	1		DK,DM,E,ED,F,G,U	
		24	45517-300-003	HOLDER, MASTER CYLINDER	1	1			
		25	45520-300-000	DIAPHRAGM	1	1			
		26	45521-300-010	PLATE, DIAPHRAGM	1	1			
		27	45522-300-010	BOOT, MASTER CYLINDER	1	1			
		28	45526-341-000	BUSH, R. HANDLE LEVER	1	1			
		29	45527-300-000	PLATE, LEVER BUSH SETTING	1	1			
		30	45530-377-305	CYLINDER SET, MASTER	1	1			
		31	53175-300-020	LEVER, R. STEERING HANDLE	1	1			
		32	90114-300-000	BOLT, HANDLE LEVER PIVOT	1	1			
		33	90145-300-000	BOLT, OIL	3	3			
		34	90165-323-000	BOLT, CALIPER SETTING	2	2			
		35	90545-300-000	WASHER, OIL BOLT	7	7			
		36	91259-333-000	O-RING, 9.5X1.7	2	2			
		37	92000-06025	BOLT, HEX., 6X25	4	4			
		38	92000-06028	BOLT, HEX., 6X28	1	1			
		39	92200-08035-0A	BOLT, HEX., 8X35	1	1			
		40	94001-06000	NUT, HEX., 6MM	1	1			
		41	94002-06000	NUT, HEX., 6MM	1	1			
1976.07.10					G16				



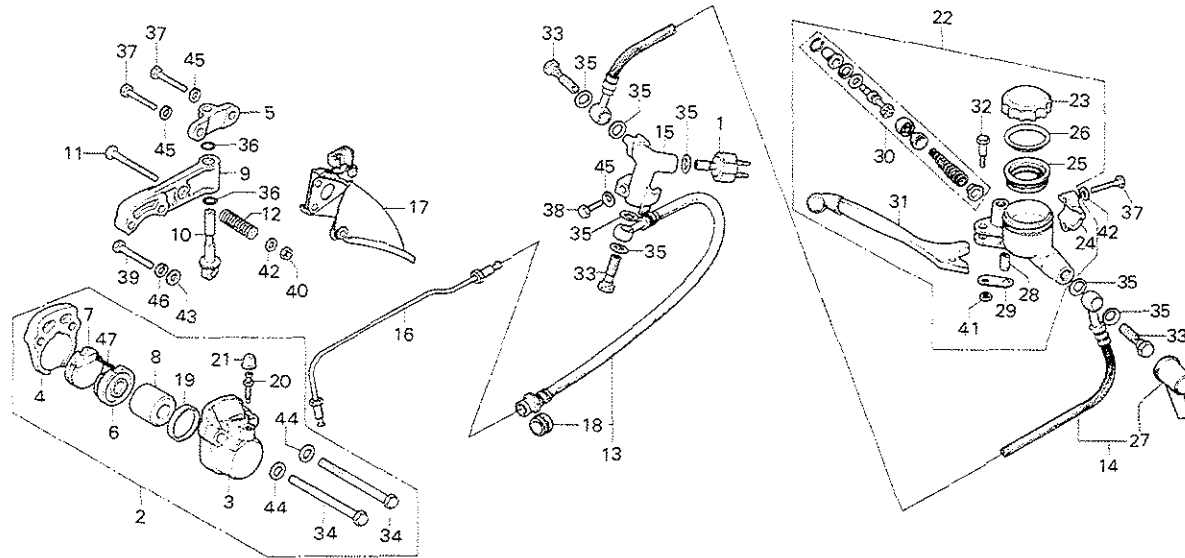
Block No.

F-5

**Front Master Cylinder •
Brake Caliper**



Courtesy of Honda4Fun
www.honda4fun.com



B392-23

Service Item	F.R.T.	Ref. No.	Part No.	Description	Reqd. No.		Serial No.	Area Code
					CB750F	CB750F1		
		42	94101-06000	WASHER, PLAIN, 6MM	3	3		
		43	94101-08000	WASHER, PLAIN, 8MM	1	1		
		44	94102-10000	WASHER, PLAIN, 10MM	2	2		
		45	94111-06000	WASHER, SPRING, 6MM	3	3		
		46	94111-08000	WASHER, SPRING, 8MM	1	1		
		47	94201-16220	PIN, SPLIT, 1.6X22	1	1		

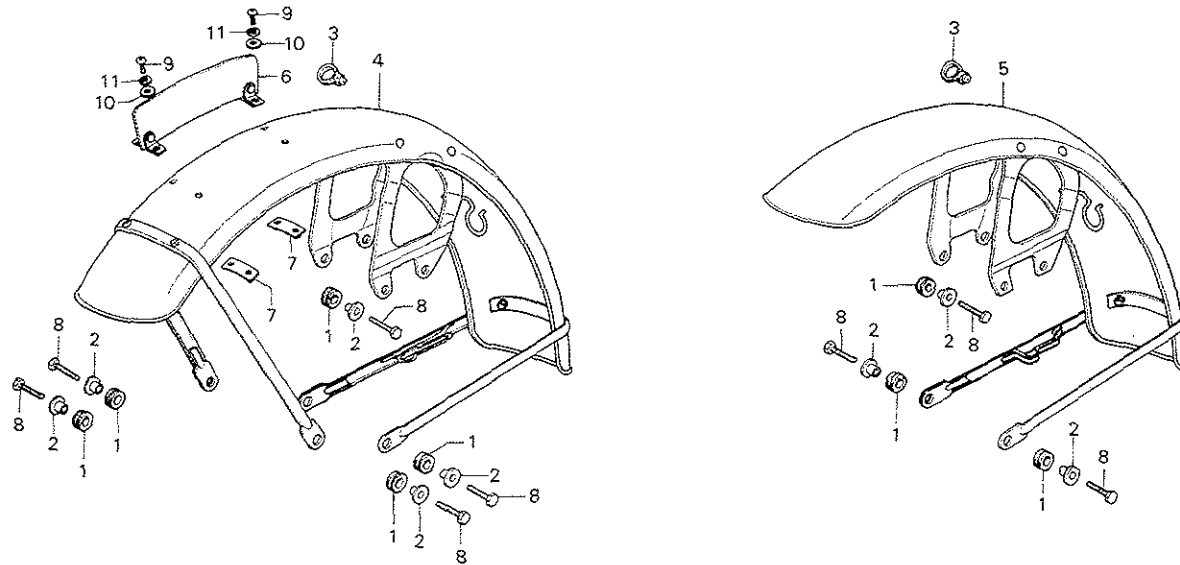
H 2

Block No.

F-6

Front Fender

Courtesy of  Honda4Fun
www.hondafour.com www.honda4fun.com



8392-24-1

Service Item	F.R.T.	Ref. No.	Part No.	Description	Reqd. No.		Serial No.	Area Code	
					CB750F	CB750F1			
FRONT FENDER COMP. WIRE GROMMET • FR. NUMBER PLATE	0.5	1	40513-310-000	RUBBER, CHAIN CASE MOUNT	4	4		A>CM>DK>DM>F>G>U E>ED	
	0.1	2	40514-310-000	COLLAR, CHAIN CASE	4	4		A>CM>DK>DM>F>G>U E>ED	
			3	45451-283-000	GROMMET, WIRE	1	1		
			4	61100-341-600XW	FENDER COMP., FR.	1	1	1022331	E
			4	61100-341-700XW	FENDER COMP., FR.	1	1	1022332	E
			5	61100-390-670	FENDER COMP., FR.	1	1		ED A>CM>DK>DM>F>G>U
			6	61131-283-600B	PLATE, FR. NUMBER	1	1	1022331	E
			7	61132-300-600	WASHER, NUMBER PLATE SETTING	2	2	1022331	E
			8	92000-06020\	BOLT, HEX., 6X20	4	4		A>CM>DK>DM>F>G>U E>ED
			9	93500-04012-0B	SCREW, PAN, 4X12	4	4	1022331	E
			10	94101-04000	WASHER, PLAIN, 4MM	4	4	1022331	E
		11	94111-04000	WASHER, SPRING, 4MM	4	4	1022331	E	

1976.07.10

H2



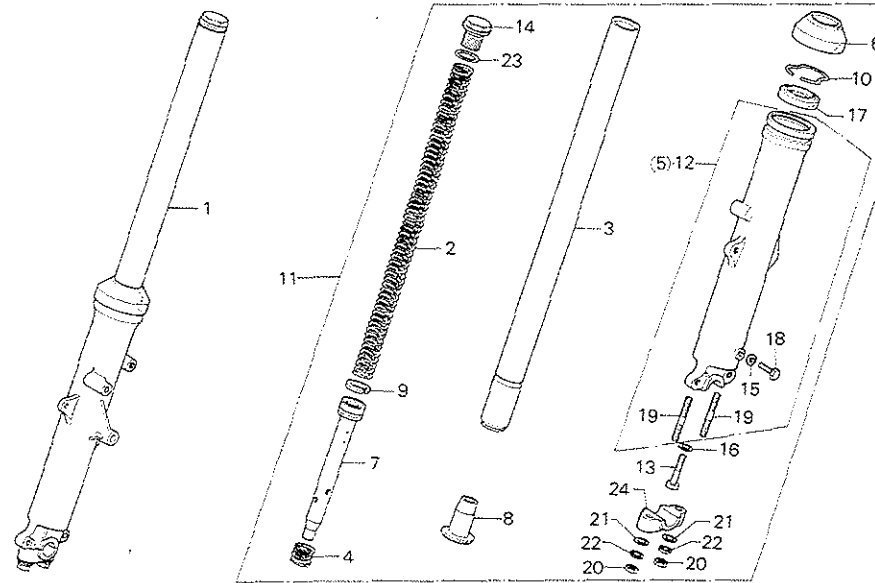
Block No.

F-7

Front Fork



Courtesy of Honda4Fun
www.hondafour.com www.honda4fun.com



6392-25

Service Item	F.R.T.	Ref. No.	Part No.	Description	Reqd. No.		Area Code
					CB750F	CB750F1	
FRONT FORK BOTTOM CASE	0.9	1	51400-392-003	FORK ASSY., R. FR.	1	1	
• One motorcycle 1.5		2	51401-392-003	SPRING, FR. CUSHION	2	2	
FRONT FORK OIL SEAL	0.7	3	51411-392-003	PIPE COMP., FR. FORK	2	2	
• One motorcycle 1.1		4	51412-340-000	SPRING, FR. FORK REBOUND	2	2	
FRONT FORK PIPE/BOTTOM PIPE	0.6	5	51421-392-003	CASE, R. FR. FORK BOTTOM	1	1	
and those related parts		6	51425-375-003	DUST SEAL, FR. FORK	2	2	
• One motorcycle 0.9		6	51425-375-005	DUST SEAL, FR. FORK	2	2	
FRONT FORK ASSY./BOOT	0.5	7	51430-392-003	PIPE COMP., BOTTOM	2	2	
• One motorcycle 0.8		8	51432-390-003	PIECE, OIL LOCK	2	2	
8 x 50 STUD BOLT	0.2	9	51437-329-010	RING, PISTON	2	2	
• Add 0.1		10	51466-375-000	RING, OIL SEAL STOPPER	2	2	
• FRONT CUSHION SPRING		11	51500-392-003	FORK ASSY., L. FR.	1	1	
FRONT AXLE HOLDER	0.1	12	51521-392-003	CASE, L. FR. FORK BOTTOM	1	1	
• FRONT FORK BOLT		13	90116-283-010	BOLT, SOCKET, 8MM	2	2	
		14	90123-300-000	BOLT, FR. FORK	2	2	
		15	90543-273-000	PACKING, FR. FORK DRAIN COCK	2	2	
		16	90544-283-000	WASHER, SPEACIAL, 8MM	2	2	
		17	91255-300-033	OIL SEAL, 35X48X11	2	2	
		18	92000-06010	BOLT, HEX., 6X10	2	2	
		19	92700-08050-38	BOLT, STUD, 8X50	4	4	
		20	94030-08000	NUT, HEX., 8MM	4	4	
		21	94101-08000	WASHER, PLAIN, 8MM	4	4	
		22	94111-08000	WASHER, SPRING, 8MM	4	4	
		23	94608-50000	O-RING, 23X2.8	2	2	
		24	95014-41000	HOLDER, AXLE	2	2	

1976.07.10

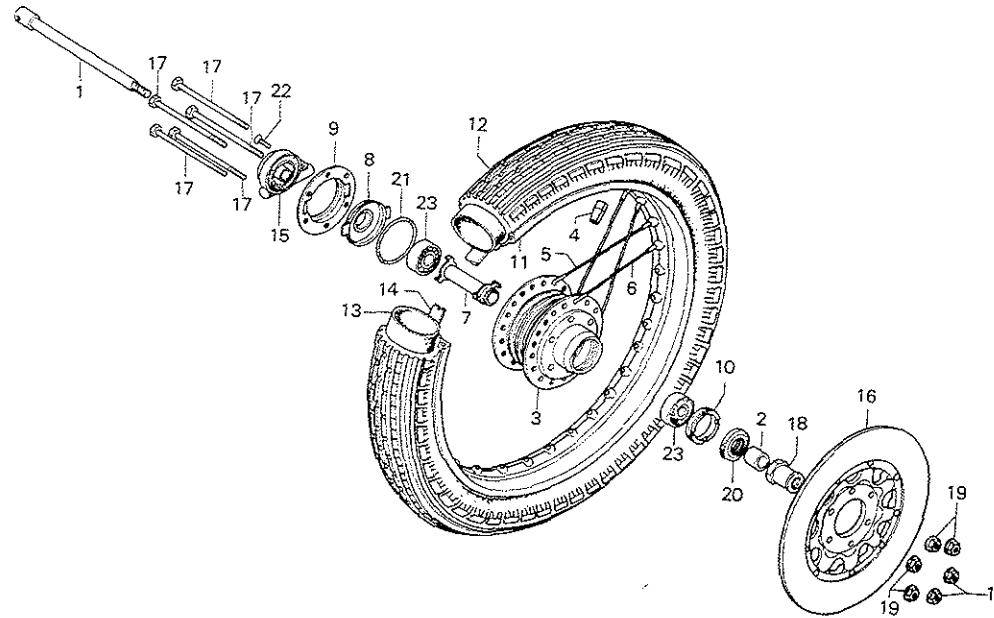
H3



Block No.

F-8

Front Wheel • Disk



8392-26

Service Item	F.R.T.	Ref. No.	Part No.	Description	Reqd. No.		Area Code
					CB750F	CB750F1	
FRONT WHEEL HUB	2.9	1	44301-300-000	AXLE, FR. WHEEL	1	1	
FRONT WHEEL RIM	2.2	2	44311-300-000	COLLAR, FR. WHEEL SIDE	1	1	
FRONT WHEEL TIRE/TUBE/TIRE FLAP	0.9	3	44601-300-040	HUB, FR. WHEEL	1	1	
BALANCER	0.8	4	44606-283-000	BALANCER (20G)	N	N	
FRONT AXLE DISTANCE COLLAR/ BALL BEARING	0.6		44607-283-000	BALANCER (15G)	N	N	
* Add 0.1 at ball bearing			44608-283-000	BALANCER (10G)	N	N	
FRONT WHEEL BEARING RETAINER	0.5	5	44609-283-000	BALANCER (5G)	N	N	
FRONT BRAKE DISK/GEAR BOX RETAINER and those related parts	0.4		44606-300-003	SPOKE A, FR. (DAIDO)	20	20	
SPEEDOMETER GEAR BOX/ WHEEL AXLE	0.3		44607-300-003	SPOKE B, FR. (DAIDO)	20	20	
		6	44620-300-020	COLLAR, FR. AXLE DISTANCE	1	1	
		7	44641-375-000	RETAINER COMP., GEAR BOX	1	1	
		8	44642-300-000	COVER, GEAR BOX RETAINER	1	1	
		9	44643-300-000	RETAINER, FR. WHEEL BEARING	1	1	
		11	44701-300-013	RIM, FR. WHEEL (19 DAIDO)	1	1	
		12	44711-341-671	TIRE, FR. WHEEL (3.25H19)	1	1	A*CM
				(B. S.)			
			44711-341-672	TIRE, FR. WHEEL (3.25H19)	1	1	A*CM
				(DUNLOP)			
			44711-341-003	TIRE, FR. WHEEL (3.25H19) (8S)	1		DK,DM,E,ED,F,G,U
			44711-341-004	TIRE, FR. WHEEL (3.25H19)	1		DK,DM,E,ED,F,G,U
				(DUNLOP)			
		13	44712-300-003	TUBE, TIRE (3.25/3.50-19 8S)	1	1	
			44712-300-004	TUBE, TIRE (3.25/3.50-19)	1	1	
				(DUNLOP)			
		14	44713-300-003	FLAP, TIRE (1.85-19 8S)	1	1	
			44713-300-004	FLAP, TIRE (1.85-19. DUNLOP)	1	1	
		15	44800-300-030	BOX ASSY., SPEEDOMETER GEAR	1	1	

1976.07.10

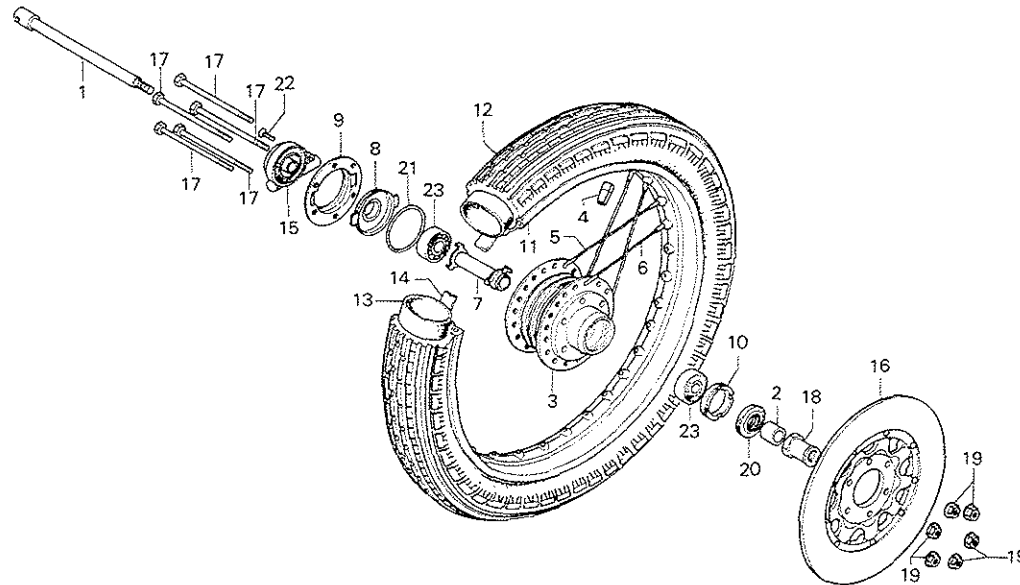
H4



Block No.

F-8

Front Wheel • Disk



Courtesy of  Honda4Fun
www.hondafour.com www.honda4fun.com

8392-26

Service Item	F.R.T.	Ref. No.	Part No.	Description	Reqd. No.		Area Code
					OB750F	CB750F1	
		16	45120-392-000	DISK COMP., FR. BRAKE	1	1	
		17	90122-300-020	BOLT, 8X102	6	6	
		18	90305-300-000	NUT, FR. AXLE	1	1	
		19	90309-357-000	NUT, HEX., 8MM	6	6	
		20	91252-300-003	DUST SEAL, 22X36X8	1	1	
		21	91302-300-000	O-RING, 58X2	1	1	
		22	93700-05016-0A	SCREW, OVAL, 5X16	1	1	
		23	96140-63020-10	BEARING, RADIAL BALL, 6302	2	2	

1976.07.10

H5



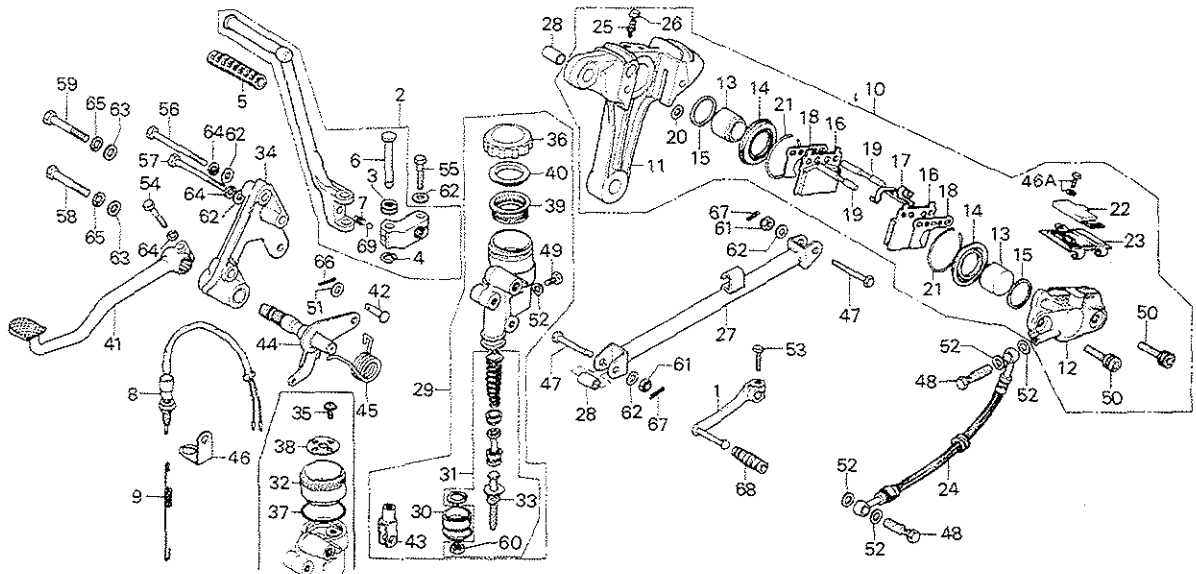
Block No.

F-9

**Rear Brake Caliper ·
Master Cylinder ·
Pedal**



Courtesy of Honda4Fun
www.hondafour.com www.honda4fun.com



B392--27A

Service Item	F.R.T.	Ref. No.	Part No.	Description	Reqd. No.		Serial No.	Area Code
					CB750F	CB750F1		
REAR MASTER CYLINDER SET	0.6	1	24701-300-020	PEDAL, GEAR CHANGE	1	1		
• CALIPER A. and its related parts		2	28240-392-000	KICK ASSY., STARTER	1	1		
• CALIPER B. and its related parts		3	28292-250-010	SPRING, KICK STARTER	1	1		
• One motorcycle 0.7 at caliper A and B		4	28293-250-000	CLIP, KICK STARTER KNUCKLE PIN	1	1		
• BRAKE HOSE		5	28311-329-000	RUBBER, KICK STARTER	1	1		
REAR CLAIPEr ASSY.	0.5	6	28321-300-000	PIN, KICK STARTER KNUCKLE	1	1		
REAR MASTER CYLINDER ASSY.	0.4	7	28333-300-000	SPRING, KICK STARTER STOPPER	1	1		
• TORQUE LINK COMP.		8	35350-336-000	SWITCH ASSY., STOP	1	1		
REAR MASTER CYLINDER HOLDER	0.3	9	35357-358-000	SPRING, STOP SWITCH	1	1		
• BRAKE PEDAL SPINDLE/SPRING		10	43200-392-006	CALIPER ASSY., RR. (NISSHIN)				
KICK STARTER NACKLE PIN	0.2			43200-392-016	1			
and its related parts					1		1020061	DK,DM,E,ED,F,G,U
REAR BRAKE PEDAL	0.1		43200-392-016	CALIPER ASSY., RR. (NISSHIN)	1		2019977	A
• STOP SWITCH/SPRING					1		1020062	CM,DK,DM,E,ED,F,G,U
• KICK STARTER ASSY./RUBBER					1		2019978	A
• GEAR CHANGE PEDAL/RUBBER								
• PAD COMP.								
		11	43201-392-006	CALIPER A. (NISSHIN)	1	1		
		12	43202-392-006	CALIPER B. (NISSHIN)	1	1		
		13	43205-371-006	PISTON (NISSHIN)	2	2		
		14	43207-371-006	COVER, DUST (NISSHIN)	2	2		
		15	43209-371-006	SEAL, PISTON (NISSHIN)	2	2		
		16	43211-392-006	PAD COMP. (NISSHIN)				
			43211-392-016	43211-392-016	2			
					2		1020061	OK,DM,E,ED,F,G,U
					2		2019977	A
			43211-392-016	PAD COMP. (NISSHIN)	2		1020062	CM,DK,DM,E,ED,F,G,U
					2		2019978	A
		17	43213-371-006	SPRING, PAD SET (NISSHIN)	1	1		

1976.07.10

H6



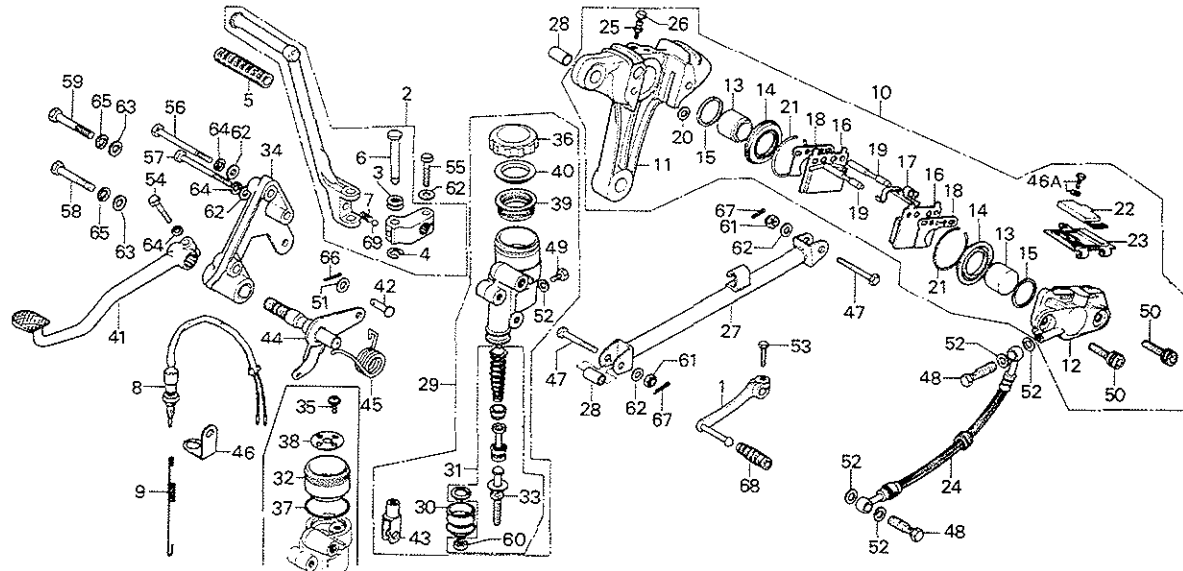
Block No.

F-9

**Rear Brake Caliper ·
Master Cylinder ·
Pedal**



Courtesy of Honda4Fun
www.hondafour.com www.honda4fun.com

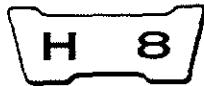


8392-27A

Service Item	F.R.T.	Ref. No.	Part No.	Description	Reqd. No.		Area Code
					CB750F	CB750F1	
		18	43214-371-006	SHIM, PAD (NISSHIN)	2	1020062	CM, DK, DM, E, ED, F, G, U
					2	2019978	A
		19	43215-371-006	PIN, PAD (NISSHIN)	2	2	
		20	43217-371-006	SEAL, JOINT (NISSHIN)	1	1	
		21	43218-371-006	CLIP, DUST COVER (NISSHIN)	2	2	
		22	43219-371-006	COVER, INDICATE (NISSHIN)	1	1	
		23	43241-371-006	COVER, PAD (NISSHIN)	1	1	
		24	43310-392-003	HOSE, RR. BRAKE (NISSHIN)	1	1	
		25	43352-568-003	VALVE BLEEDER	1	1	
		26	43353-548-003	CAP, BLEED SCREW	1	1	
		27	43431-392-000	LINK COMP., TORQUE	1	1	
		28	43435-392-000	COLLAR, LINK	2	2	
		29	43500-392-303	CYLINDER ASSY., RR. MASTER	1		1010686
			43500-392-671	CYLINDER ASSY., RR. MASTER (NISSHIN)	1	1010687	
					1		A, CM
			43500-392-621	CYLINDER ASSY., RR. MASTER	1		F, G
			43500-392-681	CYLINDER ASSY., RR. MASTER	1		DK, DM, E, ED, U
		30	43504-371-003	BOOT, MASTER CYLINDER (NISSHIN)	1	1	
		31	43510-392-305	CYLINDER SET, RR. MASTER	1	1	
		32	43511-371-003	CUP, OIL	1	1	F, G
		33	43530-392-003	ROD COMP., PUSH (NISSHIN)	1	1	
		34	43550-392-000	HOLDER, RR. MASTER CYLINDER	1	1	
		35	45509-371-003	SCREW, OIL CUP	2		F, G
		36	45513-341-771	CAP, OIL CUP	1	1	A, CM

1976.07.10

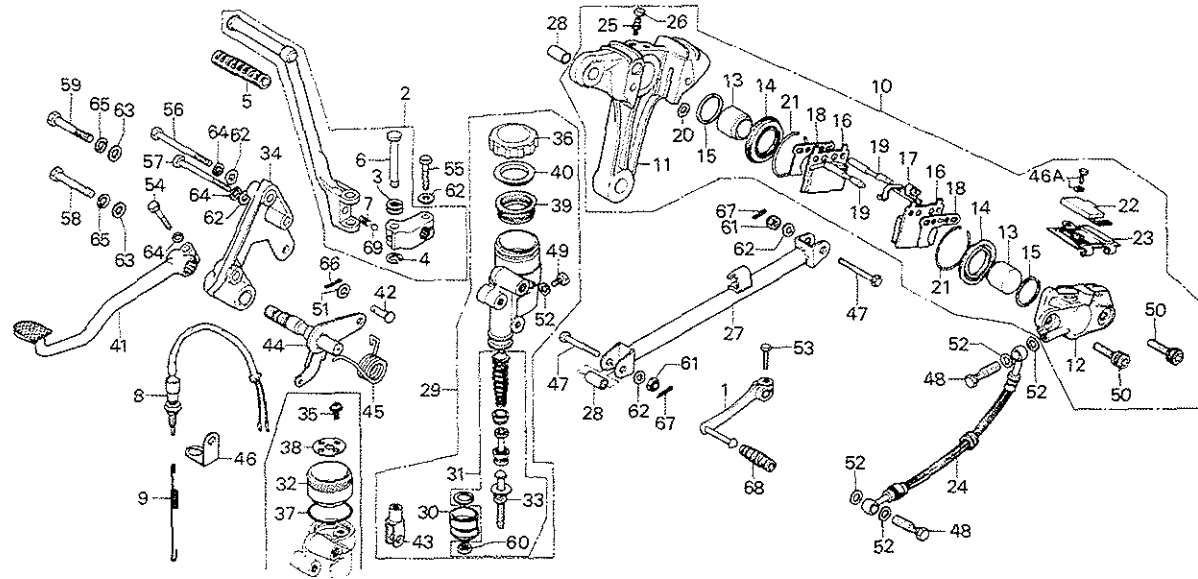
H7



Block No.

F-9

**Rear Brake Caliper ·
Master Cylinder ·
Pedal**

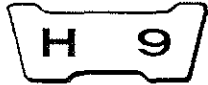


8392-27A

Service Item	F.R.T.	Ref. No.	Part No.	Description	Reqd. No. CB750F CB750F1	Serial No.	Area Code
			45513-341-671	CAP, OIL CUP	1		OK, DM, E, ED, F, G, U
		37	45516-371-003	O-RING	1		F, G
		38	45518-371-003	PLATE, OIL CUP (NISSHIN)	1		F, G
		39	45520-300-000	DIAPHRAGM	1	1	
		40	45521-300-010	PLATE, DIAPHRAGM	1	1	
		41	46500-392-000	PEDAL, RR. BRAKE	1	1	
		42	46503-371-000	PIN, BRAKE ROD	1	1	
		43	46504-371-000	JOINT, BRAKE ROD	1	1	
		44	46510-392-000	SPINDLE COMP., RR. BRAKE PEDAL	1	1	
		45	46514-392-000	SPRING, BRAKE PEDAL	1	1	
		46	50146-392-000	BRACKET, STOP SWITCH	1	1	
		46A	90103-371-006	BOLT, WASHER, 5X10	1	1	
		47	90124-392-000	BOLT, RR. BRAKE STOPPER ARM	2	2	
		48	90145-300-000	BOLT, OIL	2	2	
		49	90161-371-003	BOLT, PLUG	1	1	
		50	90163-371-006	BOLT, CALIPER SET	2	2	
		51	90501-310-000	WASHER, 7X12	1	1	
		52	90545-300-000	WASHER, OIL BOLT	5	5	
		53	92000-06020	BOLT, HEX., 6X20	1	1	
		54	92000-08028-0A	BOLT, HEX., 8X28	1	1	
		55	92000-08028-08	BOLT, HEX., 8X28	1	1	
		56	92000-08055-0A	BOLT, HEX., 8X55	1	1	
		57	92000-08065-0A	BOLT, HEX., 8X65	1	1	
		58	92000-10040-0A	BOLT, HEX., 10X40	1	1	
		59	92000-10055-0A	BOLT, HEX., 10X55	1	1	
		60	94001-08000-0S	NUT, HEX., 8MM	1	1	

1976.07.10

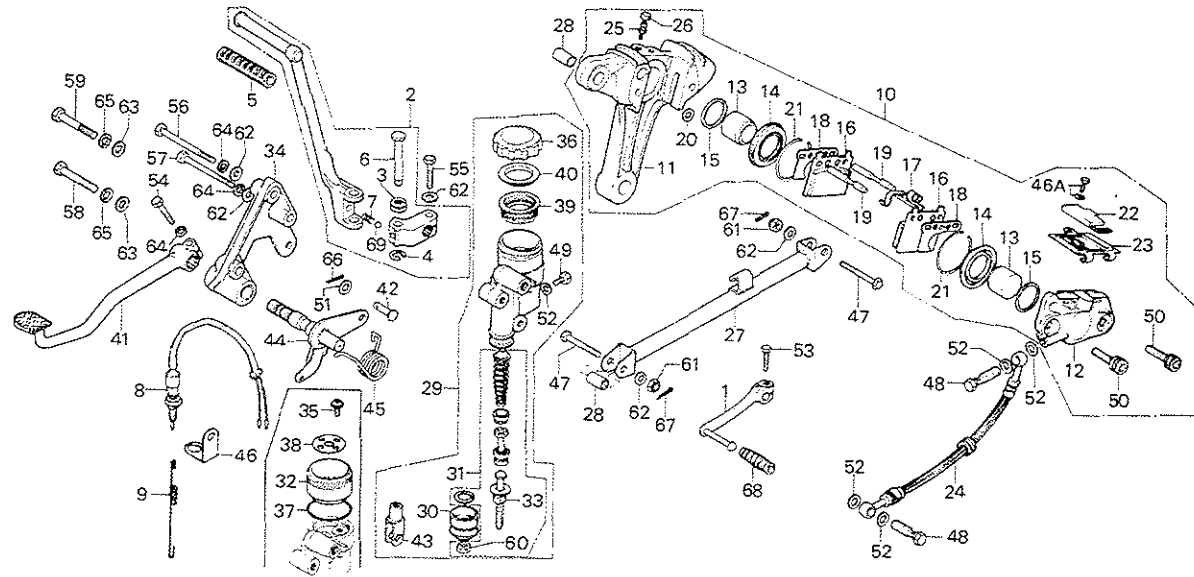
H8



Block No.

F-9

**Rear Brake Caliper ·
Master Cylinder ·
Pedal**



8392-27A

Service Item	F.R.T.	Ref. No.	Part No.	Description	Reqd. No.		Area Code
					CB750F	CB750F1	
		61	94011-08000-0S	NUT, SLOTTED, 8MM	2	2	
		62	94101-08000	WASHER, PLAIN, 8MM	.5	5	
		63	94101-10000	WASHER, PLAIN, 10MM	2	2	
		64	94111-08000	WASHER, SPRING, 8MM	3	3	
		65	94111-10000	WASHER, SPRING, 10MM	2	2	
		66	94201-16150	PIN, SPLIT, 1.6X15	1	1	
		67	94201-20180	PIN, SPLIT, 2.0X18	2	2	
		68	95011-40000	RUBBER, GEAR CHANGE PEDAL	1	1	
		69	96211-08000	BALL, STEEL, #8	1	1	

H 10

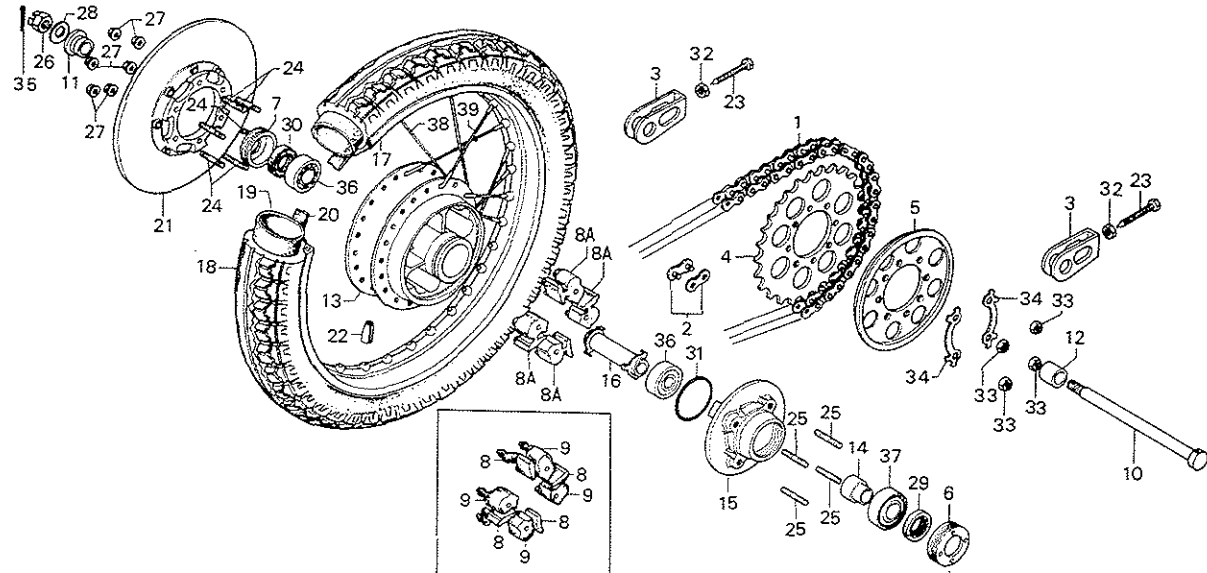
Block No.

F-10

Rear Wheel • Disk • Drive Chain



Courtesy of Honda4Fun
www.hondafour.com www.honda4fun.com



B392-28

Service Item	F.R.T.	Ref. No.	Part No.	Description	Reqd. No.		Serial No.	Area Code
					CB750F	CB750F1		
REAR WHEEL HUB	3.2	1	40530-392-006	CHAIN, DRIVE (TAKASAGO)	1	1		
REAR WHEEL RIM	2.4	2	40531-392-305	JOINT, DRIVE CHAIN (RK50SS)	(1)	(1)		
REAR WHEEL TIRE/TUBE/TIRE FLAP	1.1	3	40543-392-000	ADJUSTER, DRIVE CHAIN	2	2		
FINAL DRIVEN FLANGE	1.0	4	41201-300-870	SPROCKET, FINAL DRIVEN (48T)	1	1		
BALANCER	0.9	5	41211-392-000	PLATE, SPROCKET SIDE	1	1		
REAR AXLE DISTANCE COLLAR/ BALL BEARING	0.7	6	41231-283-000	RETAINER, RR. WHEEL BEARING	1	1		
• Add 0.1 at ball bearing		7	41231-286-000	RETAINER, RR. WHEEL BEARING	1	1		
12 x 54 STUD BOLT	0.6	8	41241-300-040	DAMPER, R. RR. WHEEL	4	4		A
• Add 0.1		8A	41241-300-050	DAMPER, RR. WHEEL	4	4	1025912	CM,DK,DM,E,ED,F,G,U
REAR WHEEL BEARING RETAINER	0.6	9	41242-300-020	DAMPER, L. RR. WHEEL	4	4		CM,DK,DM,E,ED,F,G,U
• REAR DAMPER		10	42301-392-000	AXLE, RR. WHEEL	1	1	1025911	CM,DK,DM,E,ED,F,G,U
• One motorcycle 0.7								
• REAR BRAKE DISK		11	42311-357-010	COLLAR, RR. WHEEL SIDE	1	1		
FINAL DRIVEN SPROCKET	0.5	12	42311-392-000	COLLER, RR. WHEEL SIDE	1	1		
• 8 x 45 STUD BOLT		13	42601-392-000	HUB COMP., RR. WHEEL	1	1		A
• Add 0.1 at stud bolt							1025912	CM,DK,DM,E,ED,F,G,U
REAR WHEEL AXLE	0.4	14	42601-392-010	HUB COMP., RR. WHEEL	1	1		CM,DK,DM,E,ED,F,G,U
DRIVE CHAIN and its related parts	0.3	15	42605-300-000	SLEEVE, RR. AXLE	1	1		
			42609-341-000	FLANGE COMP., FINAL DRIVEN	1	1		
		16	42620-392-000	COLLAR, RR. AXLE DISTANCE	1	1		
		17	42701-300-013	RIM, RR. WHEEL (DAIDO)	1	1		
		18	42711-341-671	TIRE, RR. WHEEL (4.00H18)	1	1		A,CM
			(B. S.)					
			42711-341-672	TIRE, RR. WHEEL (4.00H18)	1	1		A,CM
			(DUNLOP)					
			42711-341-003	TIRE, RR. WHEEL (4.00H18. BS)	1	1		DK,DM,E,ED,F,G,U

1976.07.10

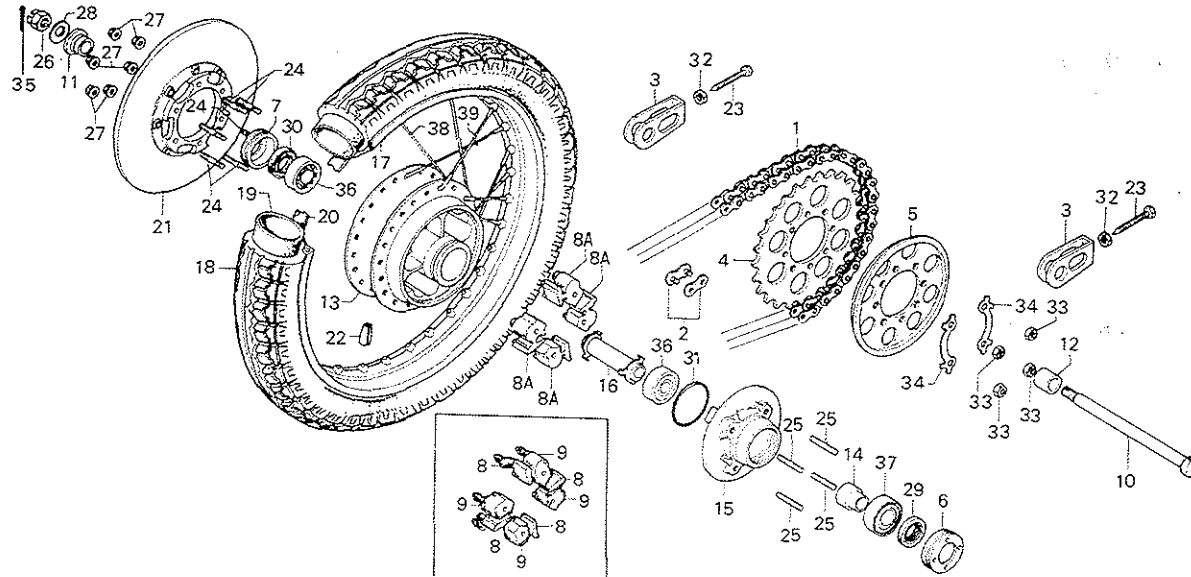
H10



Block No.

F-10

**Rear Wheel • Disk •
Drive Chain**



Courtesy of  Honda4Fun
www.honda4fun.com www.honda4fun.com

B392-26

Service Item	F.R.T.	Ref. No.	Part No.	Description	Reqd. No. CB750F CB750F1	Serial No.	Area Code
			42711-341-004	TIRE, RR. WHEEL (4.00H18) (DUNLOP)	1		DK, DM, E, ED, F, G, U
		19	42712-300-003	TUBE, TIRE (3.75/4.00-18 BS)	1	1	
			42712-300-004	TUBE, TIRE (3.75/4.00-18) (DUNLOP)	1	1	
		20	42713-300-003	FLAP, TIRE (2.15X18 BS)	1	1	
			42713-300-004	FLAP, TIRE (2.15-18. DUNLOP)	1	1	
		21	43120-371-000	DISK COMP., RR. BRAKE	1	1	
		22	44606-283-000	BALANCER (20G)	N	N	
			44607-283-000	BALANCER (15G)	N	N	
			44608-283-000	BALANCER (10G)	N	N	
			44609-283-000	BALANCER (5G)	N	N	
		23	90119-300-000	BOLT, CHAIN ADJUSTING	2	2	
		24	90125-329-010	BOLT, STUD, 8X45	6	6	
		25	90128-341-000	BOLT, STUD, 12X54	4	4	
		26	90306-268-000	NUT, RR. WHEEL AXLE	1	1	
		27	90309-357-000	NUT, HEX., 8MM	6	6	
		28	90523-292-000	WASHER 18.5X34	1	1	
		29	90753-283-000	OIL SEAL, 34X55X9	1	1	
		30	91253-286-013	DUST SEAL, 30X45X9.5	1	1	
		31	91258-300-013	O-RING, 68X2.6	1	1	
		32	94002-08000-0S	NUT, HEX., 8MM	2	2	
		33	94030-12000	NUT, HEX., 12MM	4	4	
		34	94108-17000	WASHER A7, TONGUED	2	2	
		35	94201-40300	PIN, SPLIT, 4.0X30	1	1	
		36	96140-63040-10	BEARING, RADIAL BALL, 6304	2	2	

1976.07.10

H11

H 12

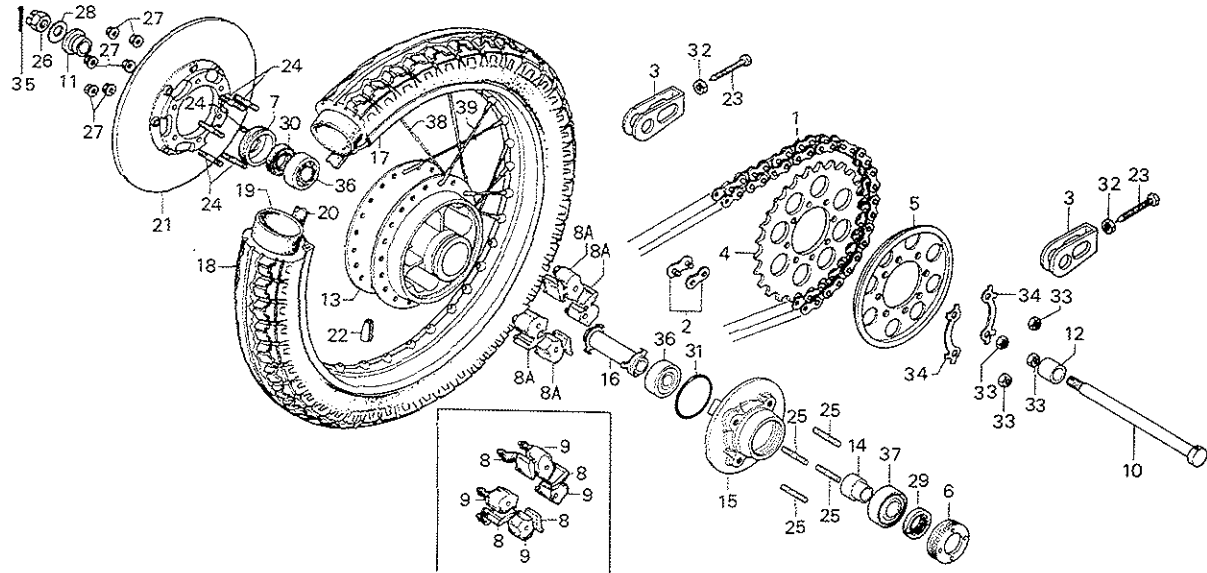
Block No.

F-10

**Rear Wheel • Disk •
Drive Chain**



Courtesy of www.hondafour.com www.honda4fun.com



B392-26

Service Item	F.R.T.	Ref. No.	Part No.	Description	Reqd. No. CB750F CB750F1	Serial No.	Area Code
		37	96140-63050-10	BEARING, BALL; 6305U	1	1	
		38	97285-69135-10	SPOKE, BS8x147.5	20	20	
		39	97686-69134-10	SPOKE, 8S8x147	20	20	

1976.07.10

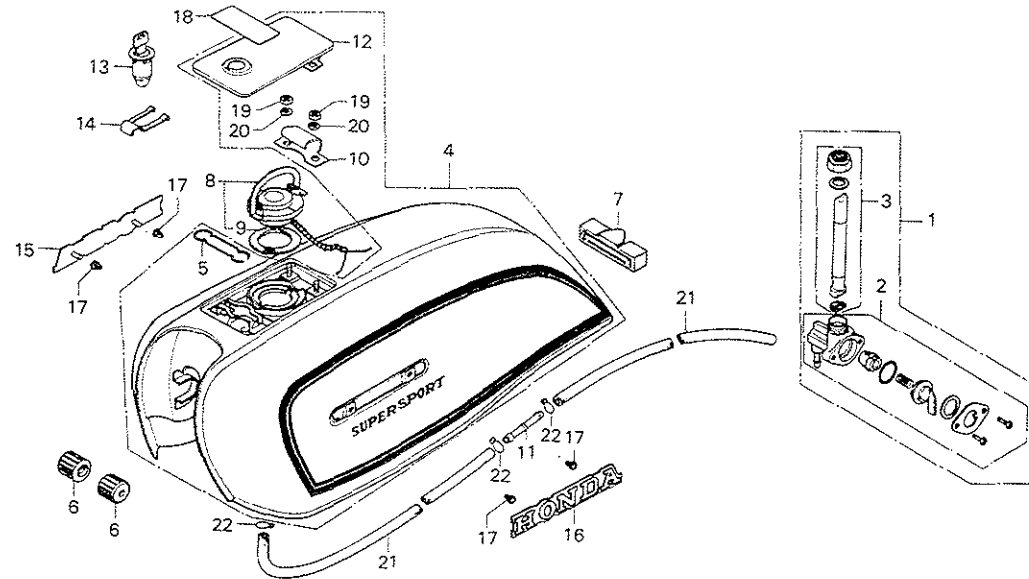
H12



Block No.

F-11

Fuel Tank • Cock



Courtesy of  Honda4Fun
www.hondafour.com www.honda4fun.com

8392-29

Service Item	F.R.T.	Ref. No.	Part No.	Description	Reqd. No.		Serial No.	Area Code
					CB750F	CB750F1		
FUEL TANK	0.4	1	16950-341-671	COCK ASSY., FUEL	1	1		
FUEL COCK ASSY. and its related parts	0.2	2	16951-341-671	BODY SET	1	1		
FUEL LID LOCK/FUEL FILLER LID	0.1	3	16952-341-671	STRAINER SET	1	1		
• FUEL TUBE		4	17500-392-000ZA	TANK COMP., FUEL *R-2C-F*	1			
• FUEL TANK EMBLEM			17500-392-000ZB	TANK COMP., FUEL *PB-3C-C*	1			
• One or all at emblem			17500-392-000ZD	TANK COMP., FUEL *Y-34*		1		
			17500-392-000ZE	TANK COMP., FUEL *R-6C-S*		1		
		5	17526-390-000	CLIP, FILLER LOCK	1	1		
		6	17611-283-010	CUSHION, FUEL TANK FR.	2	2		
		7	17613-392-000	CUSHION, FUEL TANK RR.	1	1		
		8	17620-390-000	CAP COMP., FUEL FILLER	1			
			17620-390-010	CAP COMP., FUEL FILLER		1		
		9	17631-329-000	PACKING, FUEL FILLER CAP	1	1		
		10	17735-390-000	SPRING, FUEL TANK LID	1	1		
		11	17738-390-000	JOINT, DRAIN TUBE CONNECTING	1	1		
		12	17740-392-000ZA	LID COMP., FUEL TANK *A-01*	1	1		
		13	37220-390-003	LOCK, FILLER LID	1	1		
		14	37221-390-000	SPRING, LOCK SET	1	1		
		15	87121-392-000	EMBLEM A, R. FUEL TANK	1	1		
		16	87122-392-000	EMBLEM A, L. FUEL TANK	1	1		
		17	87311-516-000	NUT, RR. EMBLEM ATTACHING	4	4		
		18	87560-375-680A	MARK, DRIVE CAUTION	1	1		
		19	94001-06080	NUT, HEX., 6MM	2	2		
		20	94111-06800	WASHER, SPRING, 6MM	2	2		
		21	95001-55560-40	TUBE, FUEL, 5.5X560	2	2		
		22	95002-02100	CLIP, TUBE, B10	3	3		

1976.07.10

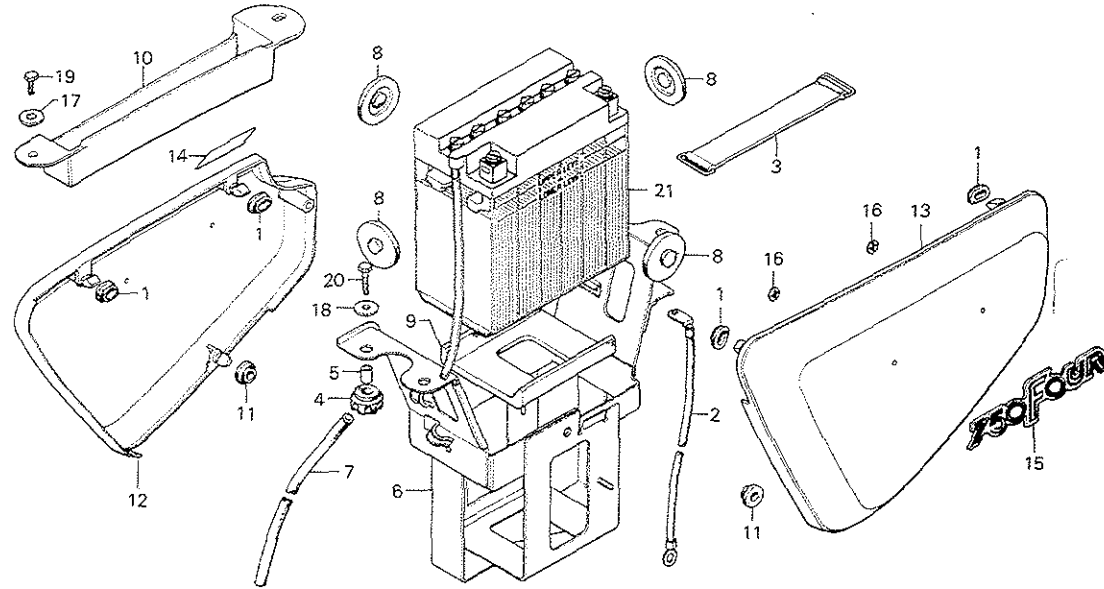
H13

H 14

Block No.

F-12

Side Cover - Battery



8392-30

Service Item	F.R.T.	Ref. No.	Part No.	Description	Reqd. No. CB750F CB750F1	Serial No.	Area Code
BATTERY BOX	0.7	1	17247-303-000	GROMMET A, AIR CLEANER CASE	4	4	
BATTERY EARTH CABLE	0.3	2	32601-392-000	CABLE, BATTERY EARTH	1	1	
BATTERY	0.2	3	50322-300-010	BAND, BATTERY	1	1	
TOOL TRAY	0.1	4	50323-300-010	RUBBER A, BATTERY	4	4	
• SIDE COVER/EMBLEM		5	50324-300-000	COLLAR, BATTERY BOX	4	4	
• One or all at side cover and emblem		6	50325-392-000	BOX, BATTERY	1	1	
		7	50326-341-670	TUBE ASSY., BATTERY	1	1	
		8	50327-300-000	RUBBER B, BATTERY	4	4	
		9	50329-300-010	RUBBER C, BATTERY	1	1	
		10	50341-392-000	TRAY, TOOL	1	1	
		11	83551-300-000	GROMMET, AIR CLEANER CASE	2	2	
		12	83600-392-000ZA	COVER, R. SIDE *NH-43*	1	1	
		13	83700-392-000ZA	COVER, L. SIDE *NH-43*	1	1	
		14	87125-300-010	PLATE, OIL CAUTION	1		
		15	87127-392-000	EMBLEM, SIDE COVER	2	2	
		16	90313-512-000	NUT, PUSH, 3MM	4	4	
		17	90512-300-000	WASHER, 6X20	2	2	
		18	90514-700-000	WASHER, TANK COLLAR LOCK	4	4	
		19	92000-06016	BOLT, HEX., 6X16	2	2	
		20	92000-06025	BOLT, HEX., 6X25	4	4	
		21	98202-23250	BATTERY, 12N-14	1		
			98203-23250	BATTERY ASSY., 12N14 (U.S.A. ONLY)	1		CM, DK, DH, E, ED, F, G, U A

1976.07.10

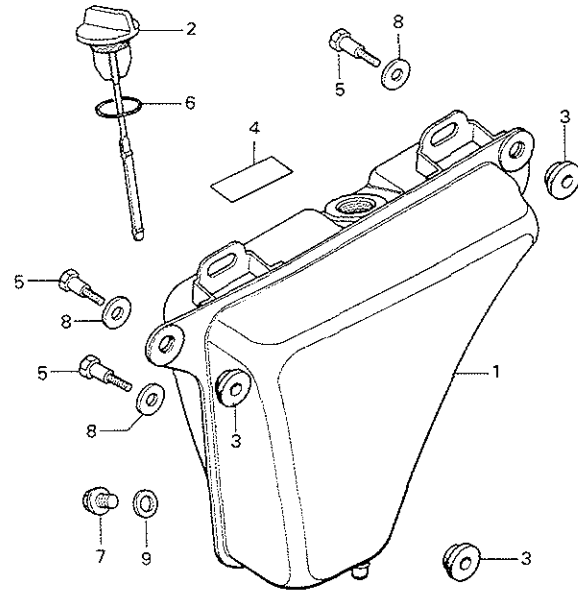
H14



Block No.

F-13

Oil Tank



B392-31

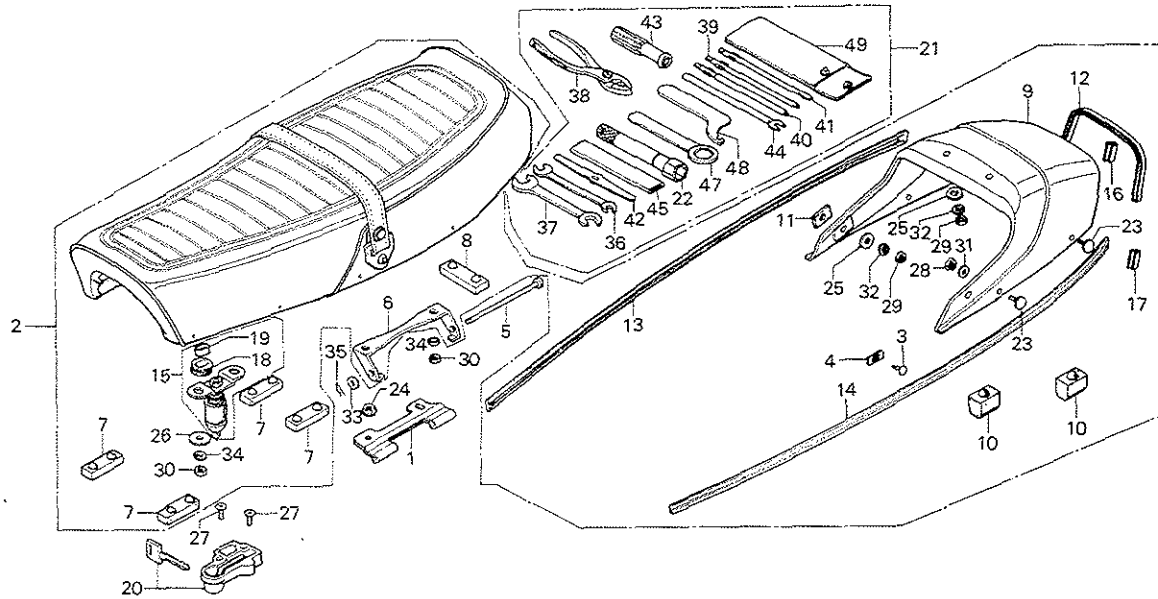
Service Item	F.R.T.	Ref. No.	Part No.	Description	Reqd. No.		Area Code
					CB750F	CB750F1	
OIL TANK COMP.	0.6	1	55100-392-000	TANK COMP., OIL	1	1	
		2	55105-392-000	GUAGE, OIL LEVEL	1	1	
		3	55106-300-000	RUBBER, OIL TANK	3	3	
		4	87125-392-771	PLATE, OIL CAUTION		1	
		5	90141-300-000	BOLT A, 6MM	3	3	
		6	91354-702-000	O-RING, 23MM	1	1	
		7	92800-12000-0S	BOLT, DRAIN PLUG, 12MM	1	1	
		8	94101-08000	WASHER, PLAIN, 8MM	3	3	
		9	94109-12000	WASHER, DRAIN PLUG 12MM	1	1	

H 16

Block No.

F-14

Seat - Tool



B392-32

Service Item	F.R.T.	Ref. No.	Part No.	Description	Reqd. No.		Area Code
					CB750F	CB750F1	
REAR SEAT COVER	0.3	1	50223-392-000	PLATE A; SEAT HINGE	1		
SEAT ASSY. and its related parts	0.1	2	77100-392-000ZA	SEAT ASSY., DOUBLE *R-2C-F*	1		
• SEAT LOCK ASSY.			77100-392-000ZB	SEAT ASSY., DOUBLE *PB-3C-C*	1		
• SEAT LOCK BAR ASSY.			77100-392-000ZD	SEAT ASSY., DOUBLE *Y-34*	1		
			77100-392-000ZE	SEAT ASSY., DOUBLE *R-6C-S*	1		
		3	77101-392-000	RIVET, 4X18	6		
		4	77102-392-000	WASHER, RIVET	6		
		5	77103-369-000	BAR, SEAT HINGE	1		
		6	77201-369-000	HINGE, SEAT	1		
					1		1021630 DK,DM,E,ED,F,G,U
					1		2021739 A
			77201-392-000	HINGE, SEAT	1	1021631	CM,DK,DM,E,ED,F,G,U
					1	2021740	A
		7	77204-312-000	RUBBER, SEAT SETTING	4		
		8	77205-286-000	RUBBER B, SEAT SETTING	1		
		9	77210-392-000ZA	COVER, RR. SEAT *R-2C-F*	1		
			77210-392-000ZB	COVER, RR. SEAT *PB-3C-C*	1		
			77210-392-000ZD	COVER, RR. SEAT *Y-34*	1		
			77210-392-000ZE	COVER, RR. SEAT *R-6C-S*	1		
		10	77211-392-000	RUBBER, RR. COVER SETTING	2		
		11	77212-392-000	RUBBER, SEAT SETTING	2		
		12	77215-392-000	MOLE, RR. COVER	1		
		13	77216-392-010ZA	MOLE, R. SEAT *R-2C-F*	1		
			77216-392-010ZB	MOLE, R. SEAT *PB-3C-C*	1		
			77216-392-010ZD	MOLE, R. SEAT *Y-34*	1		
			77216-392-010ZE	MOLE, R. SEAT *R-6C-S*	1		
		14	77217-392-010ZA	MOLE, L. SEAT *R-2C-F*	1		
			77217-392-010ZB	MOLE, L. SEAT *PB-3C-C*	1		

1976.07.10

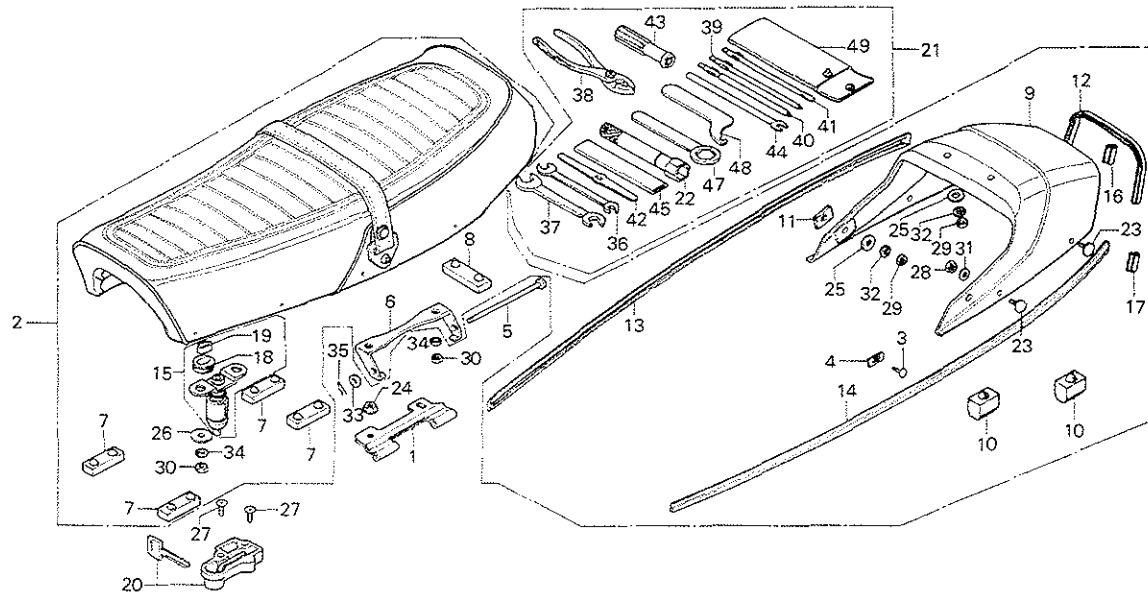
H16



Block No.

F-14

Seat • Tool



Courtesy of  Honda4Fun
www.hondafour.com www.honda4fun.com

6392-32

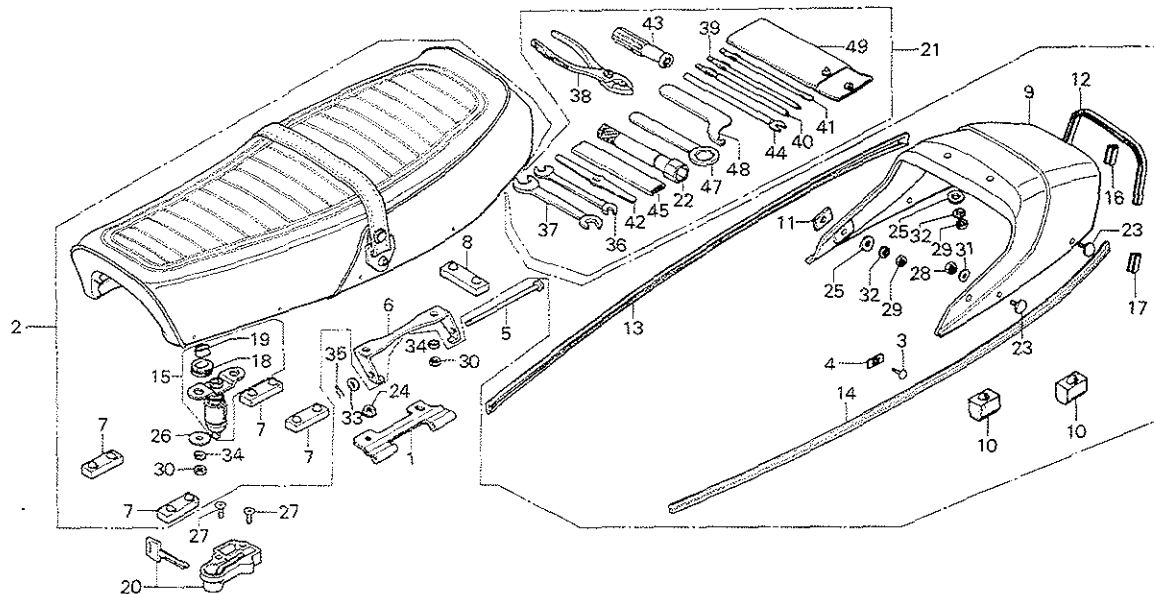
Service Item	F.R.T.	Ref. No.	Part No.	Description	Reqd. No.		Area Code
					CB750F	CB750F1	
			77217-392-010ZD	MOLE, L. SEAT *Y-34*	1		
			77217-392-010ZE	MOLE, L. SEAT *R-6C-S*	1		
		15	77220-340-011	BAR ASSY., SEAT LOCK	1	1	
		16	77226-392-300	GARNISH, R. SEAT	1	1	
		17	77227-392-300	GARNISH, L. SEAT	1	1	
		18	77228-340-001	RUBBER, LOCK BAR CUSHION	2	2	
		19	77229-340-001	COLLAR, SEAT LOCK BAR	2	2	
		20	77230-377-003	LOCK ASSY., SEAT (TOYO)	1	1	
		21	89010-341-010	TOOL SET	1	1	
		22	89216-300-000	WRENCH, SPERK PLUG	1	1	
		23	90012-392-000	BOLT, HEX., 4X9	4	4	
		24	90145-634-670	NUT, FR. COMBINATION WPACKET	2	2	
		25	90483-034-000	WASHER, STOPPER	4	4	
		26	90514-700-000	WASHER, TANK COLLAR LOCK	2	2	
		27	93600-06016-0G	SCREW, FLAT, 6X16	2	2	
		28	94001-04000-0S	NUT, HEX., 4MM	4	4	
		29	94001-05000	NUT, HEX., 5MM	4	4	
		30	94001-06000	NUT, HEX., 6MM	4	4	
		31	94101-04000	WASHER, PLAIN, 4MM	4	4	
		32	94101-05000	WASHER, PLAIN, 5MM	4	4	
		33	94101-06000	WASHER, PLAIN, 6MM	1	1	
		34	94111-06000	WASHER, SPRING, 6MM	4	4	
		35	94251-06000	PIN, LOCK, 6MM	1	1	
		36	99001-10120	SPANNER, 10X12	1	1	
		37	99001-14170	SPANNER, 14X17	1	1	
			1976.07.10		11		

I 2

Block No.

F-14

Seat - Tool



Courtesy of  Honda4Fun
www.hondafour.com www.honda4fun.com

8392-32

Service Item	F.R.T.	Ref. No.	Part No.	Description	Reqd. No.		Area Code
					CB750F	CB750F1	
		38	99002-13500	PLIERS, 135	1	1	
		39	99003-10000	DRIVER, PLUS, #2	1	1	
		40	99003-20000	DRIVER, PLUS, #3	1	1	
		41	99003-30000	DRIVER, MINUS, #2	1	1	
		42	99003-40000	LEVER	1	1	
		43	99003-50000	GRIP	1	1	
		44	99005-02000	BAR 8, HANDLE	1	1	
		45	99006-12000	HANDLE, EYE WRENCH, 120MM	1	1	
		47	99006-26000	WRENCH, EYE, 26MM	1	1	
		48	99007-45000	SPANNER, PIN, 45MM	1	1	
		49	99008-02000	BAG, TOOL, 200MM	1	1	

1976.07.10

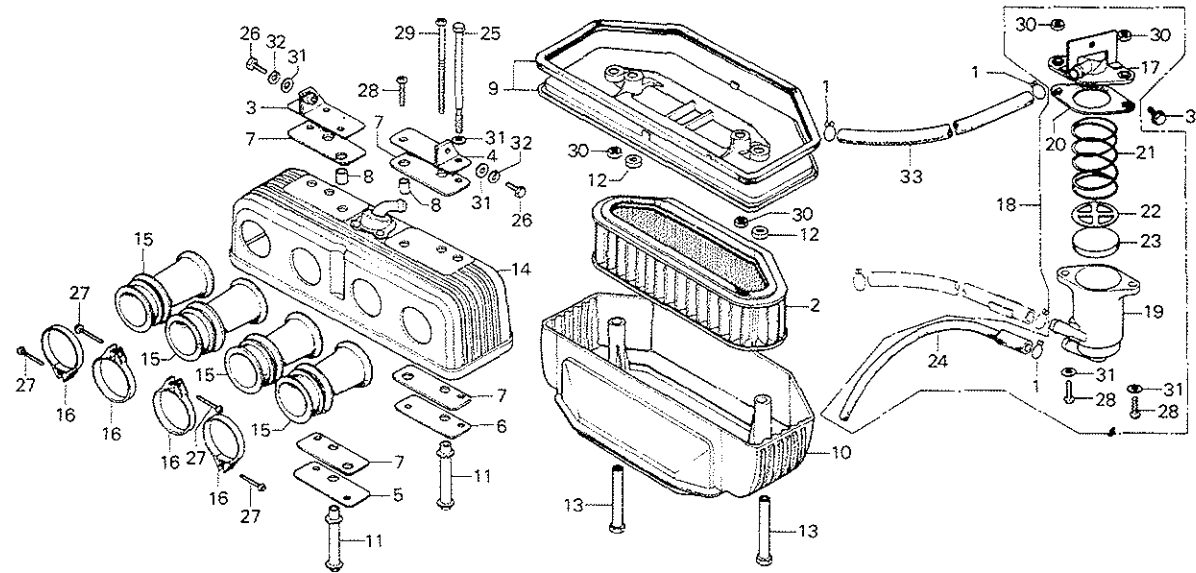
12



Block No.

F-15

Air Cleaner



Courtesy of  Honda4Fun
www.honda4fun.com www.honda4fun.com

B392-33

Service Item	F.R.T.	Ref. No.	Part No.	Description	Reqd. No. CB750F CB750F1	Serial No.	Area Code
BREATHER ASSY. and its related parts	0.8	1	15772-551-000	CLIP, TUBE	3	3	
AIR CLEANER CASE	0.7	2	17211-392-000	ELEMENT, AIR CLEANER	1	1	
AIR CLEANER CASE SEPARATOR	0.6	3	17215-392-000	STAY, R. AIR CLEANER CASE	1	1	
and its related parts		4	17216-392-000	STAY, L. AIR CLEANER CASE	1	1	
AIR CLEANER ELEMENT/AIR CLEANER CASE COVER	0.3	5	17217-392-000	PLATE, R. AIR CLEANER CASE	1	1	
• AIR CLEANER CONNECTING TUBE		6	17218-392-000	PLATE, L. AIR CLEANER CASE	1	1	
		7	17219-392-000	RUBBER, AIR CLEANER CASE MOUNT	4	4	
		8	17220-300-010	COLLAR, CLEANER CASE SETTING	2	2	
		9	17230-392-000	SEPARATOR COMP., AIR CLEANER CASE	1	1	
		10	17231-392-000	COVER, AIR CLEANER	1	1	
		11	17237-392-000	COLLER, AIR CLEANER CASE	2	2	
		12	17238-392-000	NUT A, AIR CLEANER COVER	2	2	
		13	17239-392-000	NUT B, AIR CLEANER COVER	2	2	
		14	17240-392-000	CASE COMP., AIR CLEANER	1	1	
		15	17253-341-300	TUBE, AIR CLEANER CONNECTING	4	4	
		16	17255-230-000	BAND, CLEANER CONNECTING TUBE	4	4	
		17	17259-392-000	COVER, BREATHER	1	1	
		18	17260-392-000	BREATHER ASSY.	1	1	
		19	17261-392-000	CHAMBER, BREATHER	1	1	
		20	17262-392-000	PACKING, BREATHER	1	1	
		21	17263-392-000	SPRING, FILTER SET	1	1	
		22	17264-392-000	SCREEN, FILTER SET	1	1	
		23	17265-392-000	ELEMENT, BREATHER	1	1	
		24	17358-392-000	TUBE, DRAIN	1	1	

1976.07.10

I3

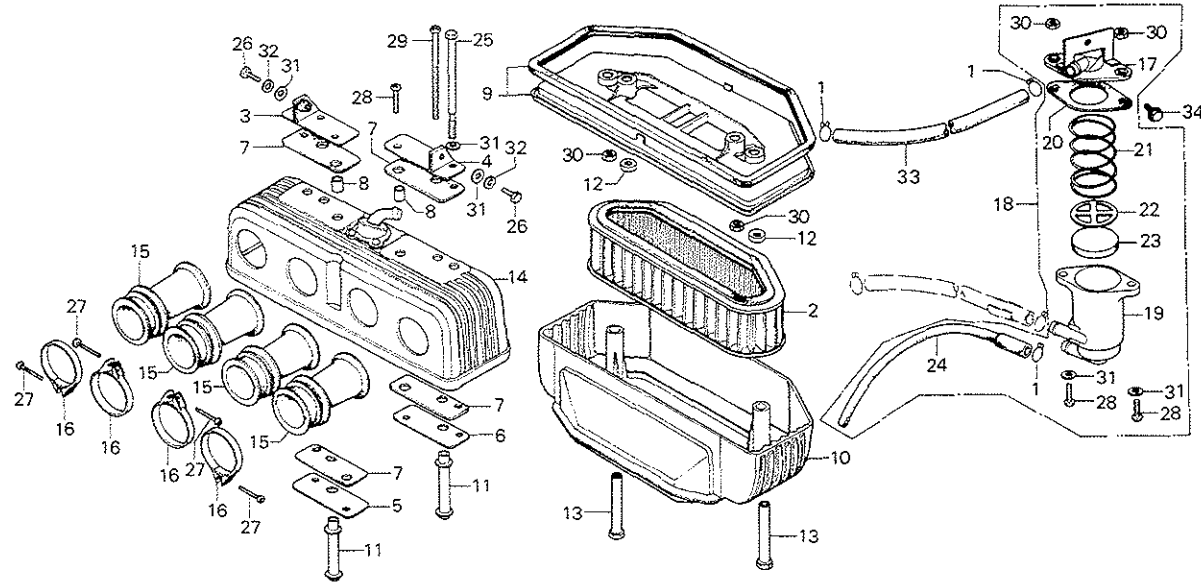
I 4

Block No.

F-15

Air Cleaner

Courtesy of  Honda4Fun
www.hondafour.com www.honda4fun.com



B392-33

Service Item	F.R.T.	Ref. No.	Part No.	Description	Reqd. No.		Area Code
					CB750F	CB750F1	
		25	90143-392-000	BOLT, AIR CLEANER COVER	2	2	
		26	92000-06012	BOLT, HEX., 6X12	2	2	
		27	93500-04020-0A	SCREW, PAN, 4X20	4	4	
		28	93500-06020	SCREW, PAN, 6X20	4	4	
		29	93500-06080	SCREW, PAN, 6X80	2	2	
		30	94001-06000	NUT, HEX., 6MM	4	4	
		31	94101-06000	WASHER, PLAIN, 6MM	6	6	
		32	94111-06000	WASHER, SPRING, 6MM	2	2	
		33	95005-12260-20	TUBE, 12X260	1	1	
		34	95700-06012	BOLT, FLANGE, 6X12	1	1	

1976.07.10

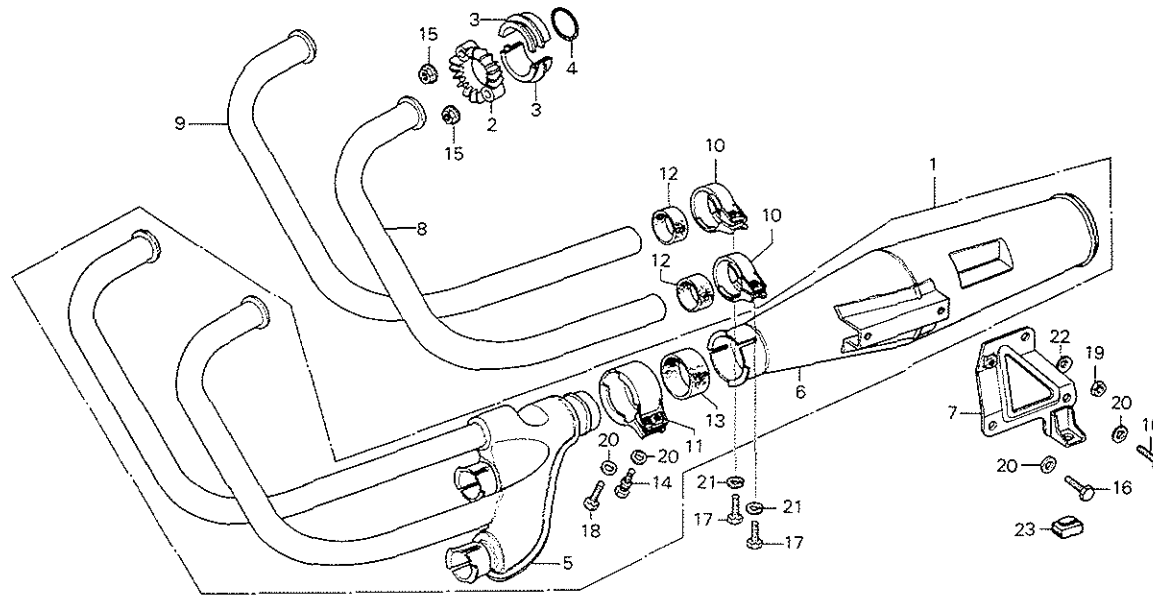
14



Block No.

F-16

Exhaust Muffler



Courtesy of  Honda4Fun
www.hondafour.com www.honda4fun.com

8392-34-1

Service Item	F.R.T.	Ref. No.	Part No.	Description	Reqd. No.		Area Code
					CB750F	CB750F1	
EXHAUST MUFFLER ASSY.	0.5	1	18200-392-000	MUFFLER ASSY., EX.	1	1	
MUFFLER BRACKET/EXHAUST PIPE JOINT and its related parts	0.4	2	18231-392-000	JOINT, EX. PIPE	4	4	
		3	18233-392-000	COLLAR, EX. PIPE JOINT	8	8	
EXHAUST PIPE COMP. 1.	0.1	4	18291-254-000	GASKET, EX. PIPE	4	4	
• EXHAUST PIPE COMP. 3.		5	18300-392-000	PIPE COMP., EX.	1	1	
		6	18310-392-000	MUFFLER COMP.	1	1	
		7	18312-392-000	BRACKET, MUFFLER	1	1	
		8	18331-392-000	PIPE COMP. 1, EX.	1	1	
		9	18361-392-000	PIPE COMP. 3, EX.	1	1	
		10	18371-392-000	BAND, EX. PIPE	2	2	
		11	18372-392-000	BAND, MUFFLER, 63.5MM	1	1	
		12	18391-310-000	PACKING, MUFFLER	2	2	
		13	18391-392-000	PACKING, MUFFLER, 63.5MM	1	1	
		14	90105-390-000	BOLT, MUFFLER SET	1	1	
		15	90309-357-000	NUT, HEX., 8MM	8	8	
		16	92000-08016-0A	BOLT, HEX., 8X16	2	2	
		17	92000-08028-0A	BOLT, HEX., 8X28	2	2	
		18	92000-08032-0A	BOLT, HEX., 8X32	1	1	
		19	94001-10000-0S	NUT, HEX., 10MM	1	1	
		20	94101-08000	WASHER, PLAIN, 8MM	4	4	
		21	94111-08000	WASHER, SPRING, 8MM	2	2	
		22	94111-10000	WASHER, SPRING, 10MM	1	1	
		23	95011-64000	RUBBER D, STAND STOPPER	1	1	

1976.07.10

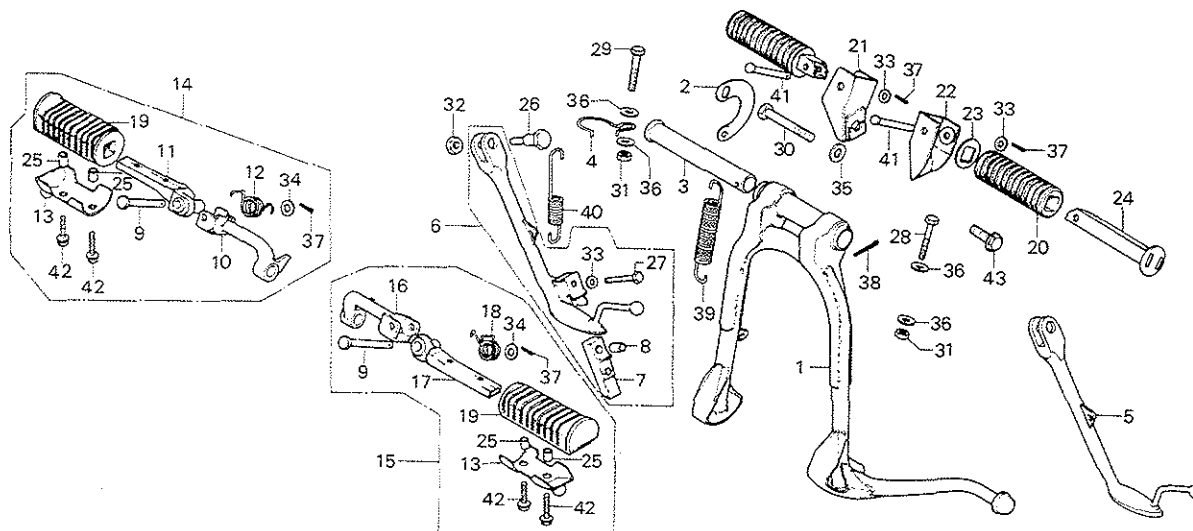
15

I 6

Block No.

F-17

Step Stand



B392-35A

Service Item	F.R.T.	Ref. No.	Part No.	Description	Reqd. No.		Area Code
					CB750F	CB750F1	
MAIN STAND/PIVOT PIPE	0.5	1	50500-392-000	STAND, MAIN	1	1	
SIDE STAND BAR/PIVOT SCREW	0.2	2	50523-300-010	PLATE, MAIN STAND SPRING	1	1	
• MAIN STAND SPRING/SPRING PLATE		3	50526-300-000	PIPE, MAIN STAND PIVOT	1	1	
STEP and its related parts	0.1	4	50527-392-000	GUIDE, TUBE DRAIN	1	1	
• STAND RUBBER/SIDE STAND SPRING		5	50530-390-680	STAND COMP., SIDE		1	DK, DM, E, ED, F, U
• PILLION STEP BAR and its related parts		6	50540-390-000	BAR ASSY., SIDE STAND	1	1	A, CM
			50540-390-610	BAR ASSY., SIDE STAND		1	G
		7	50548-356-700	RUBBER, STAND	1	1	A, CM, G
		8	50549-356-700	COLLAR, STAND RUBBER SET	1	1	A, CM, G
		9	50603-033-000	PIN, STEP BAR JOINT	2	2	
		10	50615-392-000	BAR COMP., R. STEP	1	1	
		11	50616-392-000	ARM COMP., R. STEP	1	1	
		12	50617-300-000	SPRING, R. STEP RETURN	1	1	
		13	50619-375-000	STOPPER, STEP RUBBER	2	2	
		14	50630-392-000	STEP ASSY., R.	1	1	
		15	50640-392-000	STEP ASSY., L.	1	1	
		16	50641-300-670B	BAR COMP., L. STEP	1	1	
		17	50642-369-670B	ARM COMP., L. STEP	1	1	
		18	50644-300-670	SPRING, L. STEP RETURN	1	1	
		19	50661-369-000	RUBBER, STEP	2	2	
		20	50710-377-000	RUBBER, PILLION STEP	2	2	
		21	50711-374-670	BRACKET, R. PILLION STEP	1	1	
		22	50712-374-670	BRACKET, L. PILLION STEP	1	1	
		23	50712-377-000	WASHER, PILLION STEP	2	2	
		24	50715-377-000	BAR, PILLION STEP	2	2	
		25	84706-286-000	COLLAR, NUMBER BRACKET SET	4	4	

1976.07.10

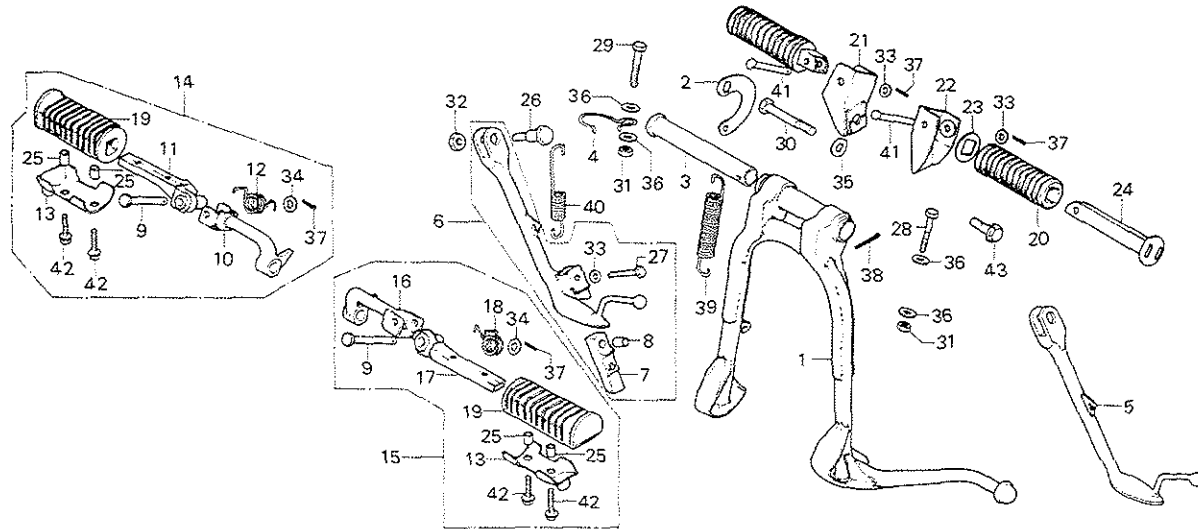
I6

I 7

Block No.

F-17

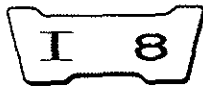
Step • Stand



Courtesy of  Honda4Fun
www.honda4fun.com www.honda4fun.com

B392-35A

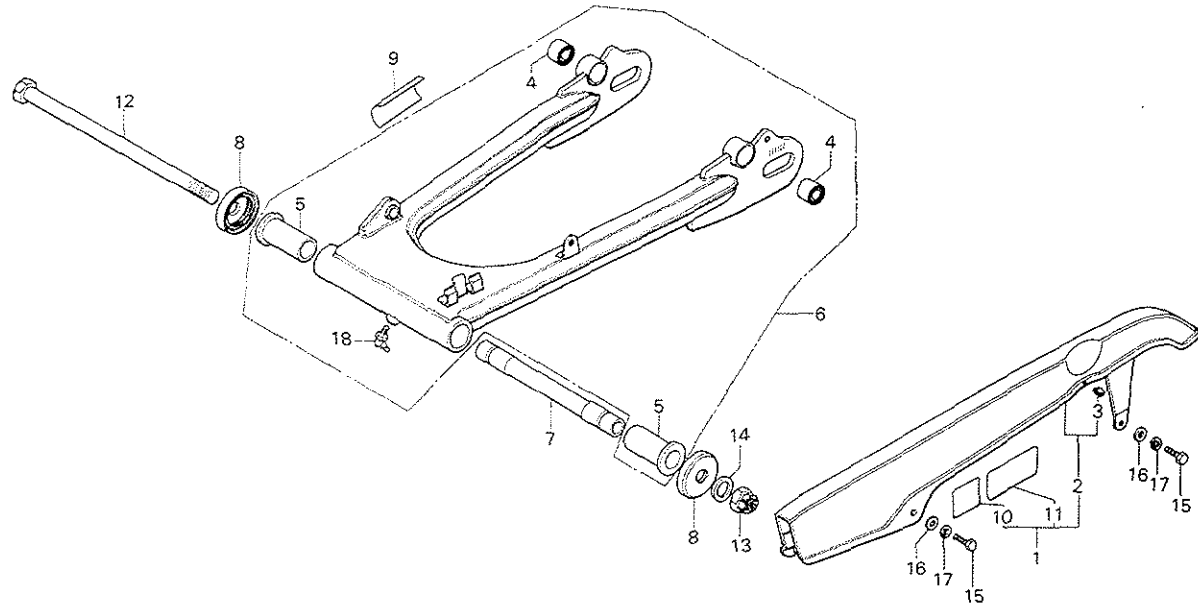
Service Item	F.R.T.	Ref. No.	Part No.	Description	Reqd. No.		Serial No.	Area Code
					CB750F	CB750F1		
		26	90108-283-000	SCREW, SIDE STAND PIVOT	1	1		
		27	92000-06028	BOLT, HEX., 6X28	1	1		A,CM,G
		28	92000-08040-0A	BOLT, HEX., 8X40	1	1		
		29	92000-08045-0A	BOLT, HEX., 8X45	1	1		
		30	92000-10055-0A	BOLT, HEX., 10X55	1	1		
		31	94001-08000-0S	NUT, HEX., 8MM	2	2		
		32	94030-10200	NUT, HEX 10MM	1	1		
		33	94101-06000	WASHER, PLAIN, 6MM	3	3		A,CM,G
					2	2		DK,DM,E,ED,F,U
		34	94101-08000	WASHER, PLAIN, 8MM	2	2		
		35	94101-10000	WASHER, PLAIN, 10MM	1	1		
		36	94102-08000	WASHER, PLAIN, 8MM	4	4		
		37	94201-16150	PIN, SPLIT, 1.6X15	4	4		
		38	94201-25300	PIN, SPLIT, 2.5X30	1	1		
		39	95014-71701	SPRING G, MAIN STAND	1	1		
		40	95014-72400	SPRING, SIDE STAND	1	1		A,CM,DK,DM,E,ED,F,U
			95014-72101	SPRING A, SIDE STAND	2	2		G
		41	95015-83000	PIN C, PILLION	2	2		
		42	95700-06018	BOLT, FLANGE, 6X18	4	4		
		43	95700-10025	BOLT, FLANGE, 10X25	1	1		



Block No.

F-18

Rear Fork - Chain Case



6392-36

Service Item	F.R.T.	Ref. No.	Part No.	Description	Reqd. No.		Serial No.	Area Code
					CB750F	CB750F1		
REAR CUSHION UNDER RUBBER BUSH • REAR FORK PIVOT BUSH • One or all	1.0	1	40500-392-670	CASE COMP., DRIVE CHAIN	1	1		A,CM
		2	40510-392-000	CASE, DRIVE CHAIN		1		DK,DM,E,ED,F,G,U
		3	40514-333-000	PULG, CHAIN CASE	1	1		
REAR FORK ASSY. and its related parts	0.8	4	40548-268-000	BUSH, RR. CUSHION UNDER RUBBER	2	2		
REAR FORK CENTER COLLOR	0.6	5	52108-457-300	BUSH, RR. FORK PIVOT	2	2		
REAR BRAKE STOPPER ARM • DRIVE CHAIN CASE	0.2	6	52110-392-000ZA	FORK ASSY., RR. *NH-1*	1	1		
		7	52141-390-000	COLLER, RR. FORK CENTER	1	1		
		8	52144-362-000	CAP, RR. FORK DUST SEAL	2	2		
		9	87504-028-670	MARK, MUFFLER CAUTION	1	1		A,CM
		10	87505-392-670	MARK, TIRE CAUTION	1	1		A,CM
			87505-392-680	MARK, TIRE CAUTION		1		DK,DM,E,ED,F,G,U
		11	87507-392-670	MARK, CHAIN CAUTION	1	1		A,CM
		12	90121-390-000	BOLT, RR. FORK PIVOT	1	1		
		13	90354-268-000	NUT, SELF LOCK, 14MM	1	1		
		14	90526-268-000	WASHER, RR. FORK PIVOT BOLT	1	1		
		15	92000-06014	BOLT, HEX., 6X14	2	2		
		16	94101-06000	WASHER, PLAIN, 6MM	2	2		
		17	94111-06000	WASHER, SPRING, 6MM	2	2		
		18	96201-80000	NIPPLE, GREACE, 8-T6S	1	1		

1976.07.10

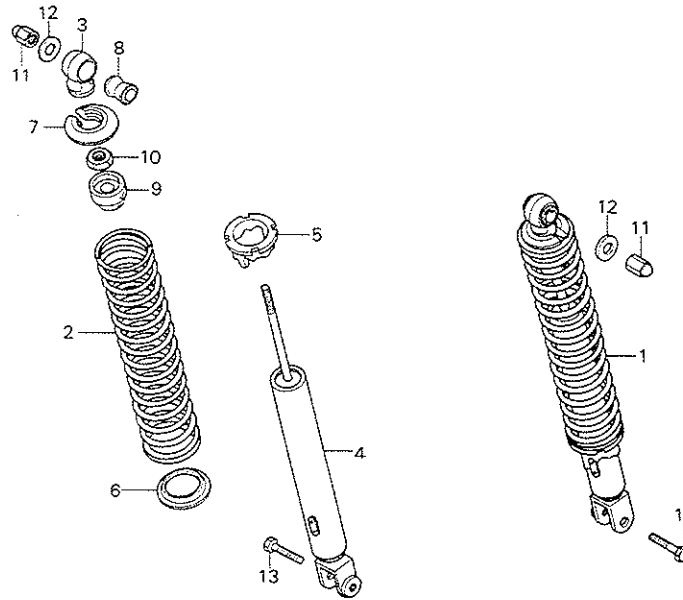
18



Block No.

F-19

Rear Cushion



8392-37

Service Item	F.R.T.	Ref. No.	Part No.	Description	Reqd. No.		Serial No.	Area Code
					CB750F	CB750F1		
REAR CUSHION SPRING and its related parts	0.3	1	52400-392-003	CUSHION ASSY., RR.	2	2		A>CH>DK>DM>U
REAR CUSHION ASSY.	0.1		52400-392-611	CUSHION ASSY., RR.	2	2		E>ED>F>G
• Add 0.1		2	52401-392-003	SPRING, RR. CUSHION	2	2		
		3	52403-371-003	JOINT COMP., UPPER (SHOWA)	2	2		
		4	52410-392-003	ABSORBER COMP., RR. SHOCK	2	2		A>CH>DK>DM>U
			52410-392-611	ABSORBER COMP., RR. SHOCK	2	2		E>ED>F>G
		5	52422-371-003	ADJUSTER, SPRING (SHOWA)	2	2		
		6	52458-392-003	SEAT, SPRING UNDER (SHOWA)	2	2		
		7	52459-371-003	SEAT, SPRING UPPER (SHOWA)	2	2		
		8	52484-292-000	RUBBER, JOINT	2	2		
		9	52517-385-000	RUBBER, STOPPER	2	2		
		10	90301-385-003	NUT, HEX., 11MM	2	2		
		11	90309-315-000	NUT, RR. CUSHION UPPER	2	2		
		12	90521-292-000	WASHER, 10.3MM	2	2		
		13	93200-10032-0B	BOLT, HEX., 10X32	2	2		

I 10

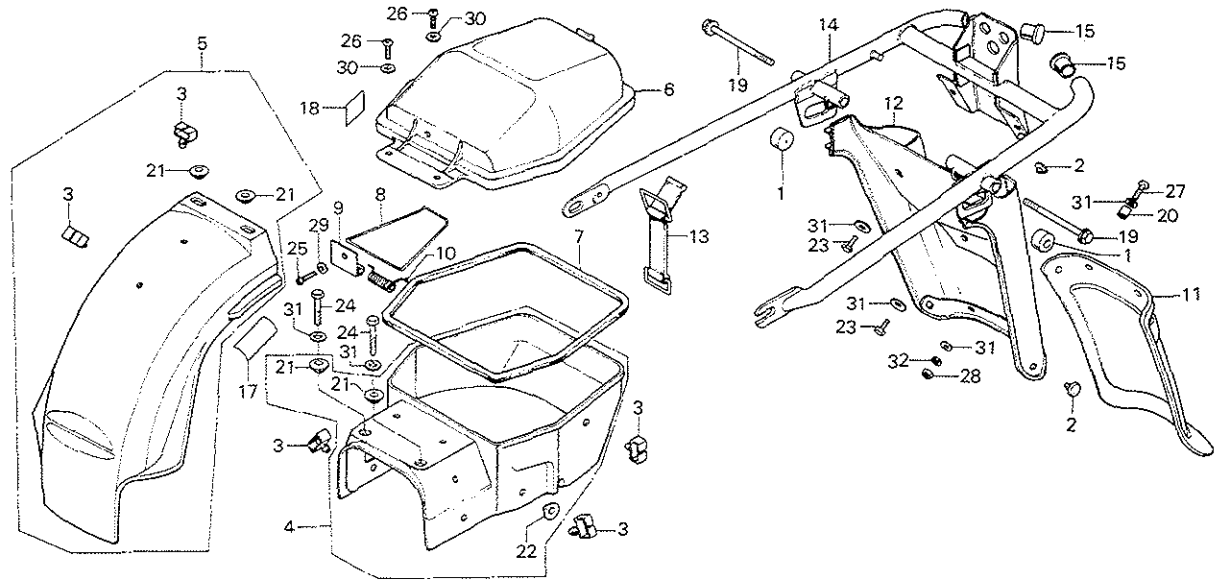
Block No.

F-20

Rear Fender - Bumper



Courtesy of www.honda4fun.com Honda4Fun www.honda4fun.com

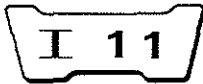


8392-38-1

Service Item	F.R.T.	Ref. No.	Part No.	Description	Reqd. No. CB750F CB750F1	Serial No.	Area Code
REAR BUMPER	0.4	1	17611-045-670	PAD, FUEL TANK FR	2		E,ED,F,G
REAR FENDER A.	0.2	2	32170-647-000	GROMMET, WIND DEFROSTER	6		E,F
• REAR FENDER B.					2		ED
• REAR FENDER CAP A.					4		G
CLAMP BAR and its related parts	0.1	3	32985-300-000	GROMMET, WIRE CORD	5		
• REAR FENDER SEAL RUBBER		4	80100-392-670	FENDER A, RR.	1		
		5	80105-341-000	FENDER B, RR.	1		
			80105-341-010	FENDER B, RR.	1	1025675	CM,DK,DM,E,ED,F,G,U
					1		A
					1	1025676	CM,DK,DM,E,ED,F,G,U
		6	80110-392-000	CAP A, RR. FENDER	1		
		7	80111-392-000	RUBBER, RR. FENDER SEAL	1		
		8	80112-392-000	BAR, CLAMP	1		
		9	80113-392-000	BASE, CLAMP	1		
		10	80114-392-000	SPRING, CLAMP RETURN	1		
		11	80121-323-630	MUDGUARD, RR. FENDER	1		ED
		12	80250-392-600	FENDER C, RR.	1		E,ED,F,G
		13	83606-356-000	BAND, SIDE COVER	1		
		14	84101-392-000	BUMPER, RR.	1		A,CM,DK,DM,U
			84101-392-610	BUMPER, RR.	1		G
			84101-392-620	BUMPER, RR.	1		E,ED,F
		15	84103-392-000	CAP, RR. BUMPER	2		
		17	87506-392-670	MARK, BATTERY CAUTION	1		
		18	87512-371-670	MARK, ACCESSORIES & LOADING CAUTION	1		A,CM
		19	90010-392-000	BOLT, FLANGE, 8X85	2		A,CM

1976.07.10

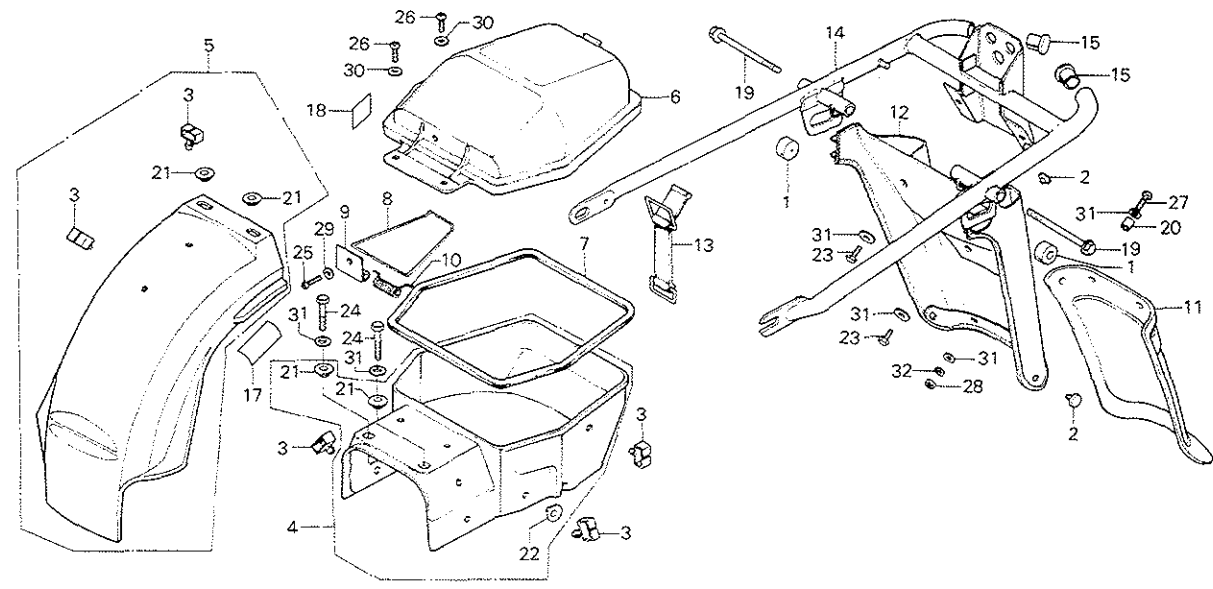
I10



Block No.

F-20

Rear Fender • Bumper



Courtesy of  Honda4Fun
www.hondafour.com www.honda4fun.com

8392-38-1

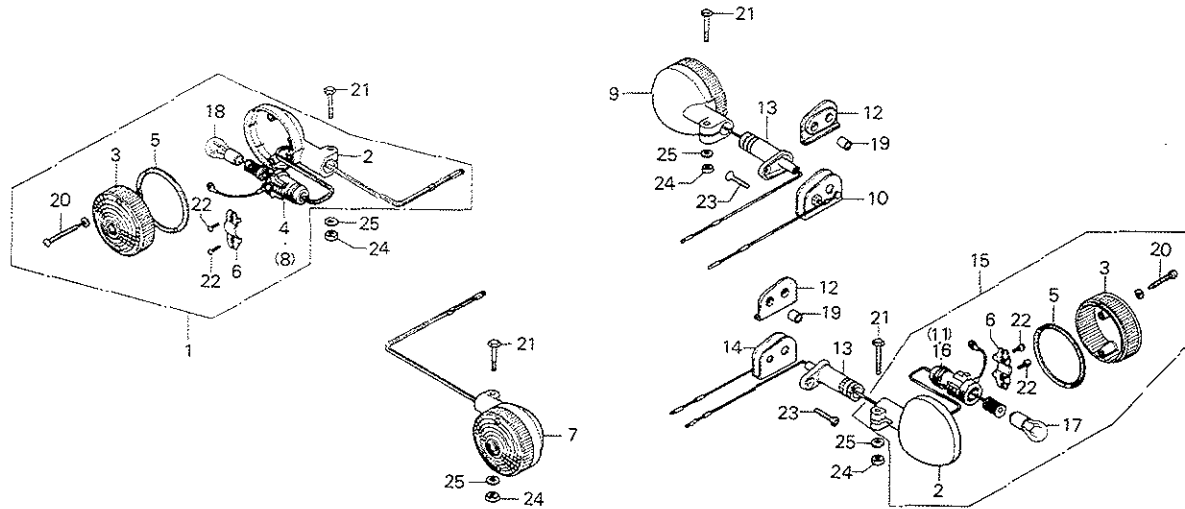
Service Item	F.R.T.	Ref. No.	Part No.	Description	Reqd. No.		Serial No.	Area Code
					CB750F	CB750F1		
		20	92600-08085-08	BOLT, CAP, 8X85	2			DK,DM,E,ED,F,G,U
			90325-323-630	COLLAR, RR. MUDGUARD	4			ED
		21	90512-300-000	WASHER, 6X20	4	4		
		22	90512-392-000	WASHER, 8X20	2	2		
		23	92000-06012	BOLT, HEX., 6X12	2	2		E,ED,F,G
		24	92000-06028	BOLT, HEX., 6X28	2	2		
		25	93500-04012	SCREW, PAN, 4X12	1	1		
		26	93500-04016-0G	SCREW, PAN, 4X16	2	2		
		27	93500-06020-49	SCREW, PAN, 6X20	4	4		ED
		28	94001-06000	NUT, HEX., 6MM	4	4		ED
		29	94101-04000	WASHER, PLAIN, 4MM	1	1		
		30	94101-04700	WASHER, PLAIN, 4MM	2	2		
		31	94101-06000	WASHER, PLAIN, 6MM	2	2		A,CM,DK,DM,U
					4	4		E,F,G
		32	94111-06000	WASHER, SPRING, 6MM	12	4		ED
					4	4		EO

I 12

Block No.

F-21

Winker
(A, CM, DK, DM, U)



8392-39

Service Item	F.R.T.	Ref. No.	Part No.	Description	Reqd. No.		Serial No.	Area Code
					CB750F	CB750F1		
FRONT WINKER ASSY. and its related parts	0.2	1	33400-377-671	WINKER ASSY., R. FR.	1	1		A, CM
• REAR WINKER ASSY. and its related parts			33400-390-003	WINKER ASSY., R. FR.		1		DK, DM, U
* Add 0.1		2	33401-377-671	BASE, R. FR. WINKER	4	4		A, CM
WINKER LENS/BULB	0.1		33401-390-003	BASE, R. FR. WINKER		4		DK, DM, U
		3	33402-377-671	LENS, FR. WINKER	4	4		A, CM, DK, DM, U
		4	33405-377-671	SOCKET COMP., R. FR. WINKER	1	1		A, CM
			33605-377-671	SOCKET COMP., R.		1		DK, DM, U
		5	33406-377-671	PACKING, WINKER LENS	4	4		A, CM, DK, DM, U
		6	33407-377-671	HOLDER, FR. WINKER SOCKET	4	4		A, CM, DK, DM, U
		7	33450-377-671	WINKER ASSY., L. FR.	1	1		A, CM
			33450-390-003	WINKER ASSY., L. FR.		1		DK, DM, U
		8	33455-377-671	SOCKET COMP., L. FR. WINKER	1	1		A, CM
			33655-377-671	SOCKET COMP., L.		1		DK, DM, U
		9	33600-374-671	WINKER ASSY., R. RR.	1	1		A, CM
			33600-390-003	WINKER ASSY., R. RR.		1		DK, DM, U
		10	33604-374-670	STOPPER, R. RR. WINKER	1	1		A, CM, DK, DM, U
		11	33605-374-671	SOCKET COMP., R. RR. WINKER	1	1		A, CM, DK, DM, U
		12	33606-374-670	RUBBER, RR. WINKER MOUNT	2	2		A, CM, DK, DM, U
		13	33607-374-670	STAY, R. RR. WINKER	2	2		A, CM, DK, DM, U
		14	33609-374-670	STOPPER, L. RR. WINKER	1	1		A, CM, DK, DM, U
		15	33650-374-671	WINKER ASSY., L. RR.	1	1		A, CM
			33650-390-003	WINKER ASSY., L. RR.		1		DK, DM, U
		16	33655-374-671	SOCKET COMP., L. RR. WINKER	1	1		A, CM, DK, DM, U
		17	34905-268-671	BULB, WINKER (12V 25W)	2	2		A, CM, DK, DM, U
		18	34906-313-671	BULB, TAIL & STOP LIGHT	2	2		A, CM
				(12V 23/8W)				
			34905-268-671	BULB, WINKER (12V 25W)		2		DK, DM, U

1976.07.10

I12

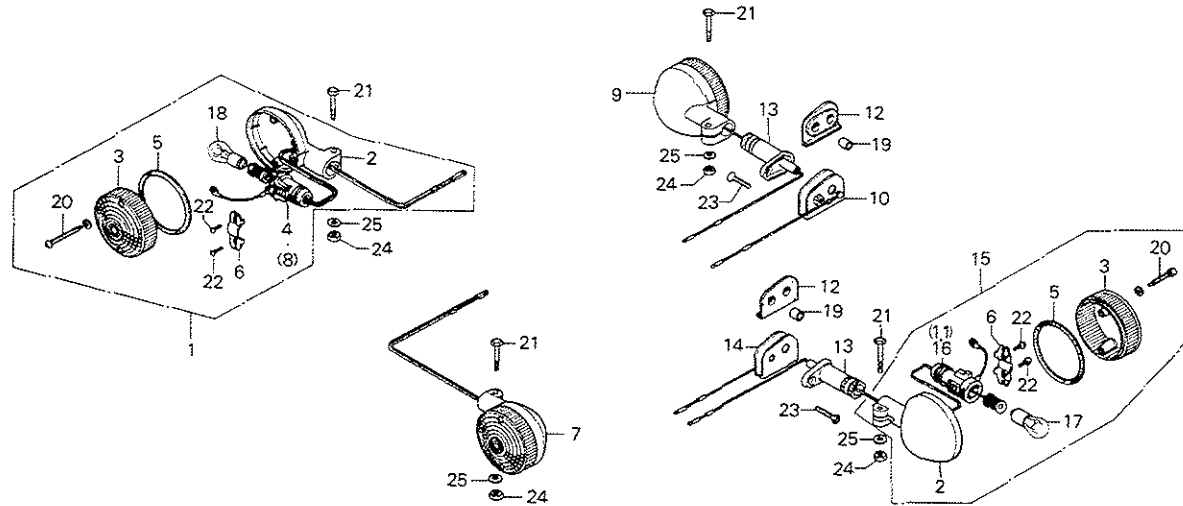
I 13

Block No.

F-21

Winker

(A, CM, DK, DM, U)



Courtesy of  Honda4Fun
www.hondafour.com www.honda4fun.com

B392-39

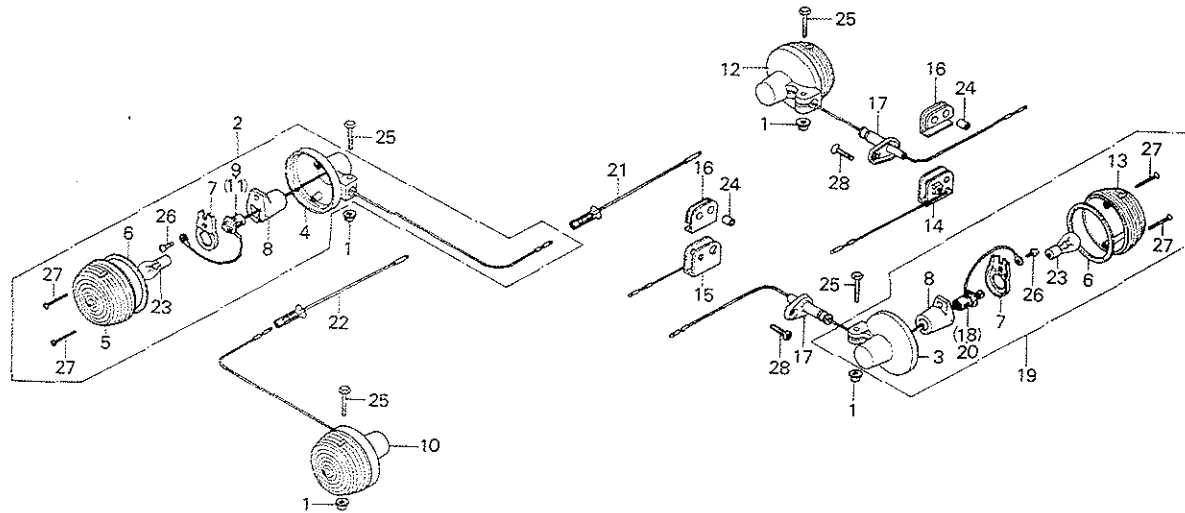
Service Item	F.R.T.	Ref. No.	Part No.	Description	Reqd. No.		Area Code
					OB750F	CB750F1	
		19	80108-061-000	COLLAR A, RR. FENDER	2	2	A, CM, DK, DM, U
		20	90192-377-671	SCREW, PAN, 4X25	8	8	A, CM, DK, DM, U
		21	93000-06035-02	BOLT, HEX., 6X35	4	4	A, CM, DK, DM, U
		22	93500-03008-0H	SCREW, PAN, 3X8	8	8	A, CM, DK, DM, U
		23	93700-06025-02	SCREW, OVAL, 6X25	2	2	A, CM, DK, DM, U
		24	94001-06000	NUT, HEX., 6MM	4		
			18362-720-000	NUT, FLANGE, 6MM		4	A, CM, DK, DM, U
		25	94101-06000	WASHER, PLAIN, 6MM	4		

I 14

Block No.

F-21-1

Winker (E, ED, F)



B392-39-1

Service Item	F.R.T.	Ref. No.	Part No.	Description	Reqd. No.		Area Code
					CB750F	CB750F1	
FRONT WINKER ASSY. and its related parts • REAR WINKER ASSY. and its related parts • Add 0.1	0.2	1	18362-720-000	NUT, FLANGE, 6MM	4		E,ED,F
		2	33400-317-730	WINKER ASSY., R. FR.	1		E,ED,F
WINKER LENS/BULB	0.1	3	33401-268-671	BASE, WINKER	2		E,ED,F
		4	33401-292-003	BASE, WINKER	2		E,ED,F
		5	33402-268-671	LENS, FR. WINKER	2		E,ED,F
		6	33406-268-671	PACKING, WINKER LENS	4		E,ED,F
		7	33407-284-003	HOLDER, WINKER SOCKET	4		E,ED,F
		8	33408-341-701	RUBBER, WINKER CUSHION	4		E,ED,F
		9	33410-361-003	SOCKET, R. FR. WINKER	1		E,ED,F
		10	33450-317-730	WINKER ASSY., L. FR.	1		E,ED,F
		11	33460-361-003	SOCKET COMP., L. WINKER	1		E,ED,F
		12	33600-323-631	WINKER ASSY., R. RR.	1		E,ED,F
		13	33602-323-631	LENS, RR. WINKER	2		E,ED,F
		14	33604-323-670	STOPPER, R. RR. WINKER	1		E,ED,F
		15	33605-323-670	STOPPER, L. RR. WINKER	1		E,ED,F
		16	33606-074-010	RUBBER, RR. WINKER MOUNT	2		E,ED,F
		17	33607-323-670	STAY, R. RR. WINKER	2		E,ED,F
		18	33610-300-000	SOCKET COMP., R. RR. WINKER	1		E,ED,F
		19	33650-323-631	WINKER ASSY., L. RR.	1		E,ED,F
		20	33660-300-000	SOCKET COMP., L. RR. WINKER	1		E,ED,F
		21	33714-065-740	SUB-CORD, R. FR. WINKER	1		E,ED,F
		22	33715-065-740	SUB-CORD, L. FR. WINKER	1		E,ED,F
		23	34905-271-611	BULB, TURN SIGNAL (12V 18W)	4		E,ED,F
		24	80108-061-000	COLLAR, RR. FENDER	2		E,ED,F
		25	93000-06028-02	BOLT, HEX., 6X28	4		E,ED,F

1976.07.10

I14

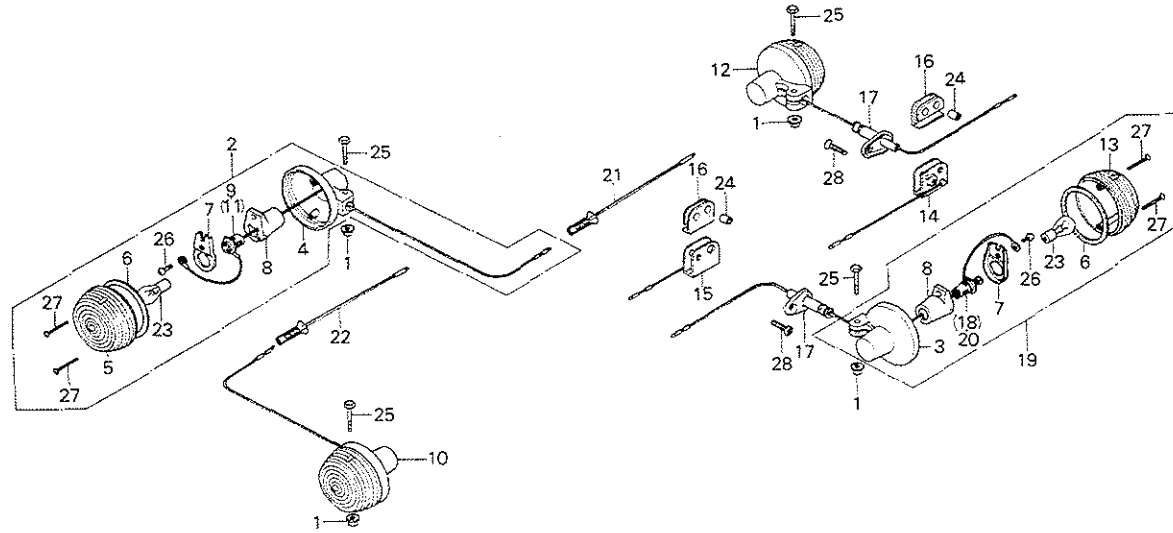
I 15

Block No.

F-21-1

Winker

(E, ED, F)



Courtesy of  Honda4Fun
www.honda4four.com www.honda4fun.com

8382-39-1

Service Item	F.R.T.	Ref. No.	Part No.	Description	Reqd. No.		Area Code
					CB750F	CB750F1	
		26	93500-05008-0A	SCREW, PAN, 5X8	4		E, ED, F
		27	93700-03025-0B	SCREW, OVAL, 3X25	8		E, ED, F
		28	93700-06025-02	SCREW, OVAL, 6X25	2		E, ED, F

I 16

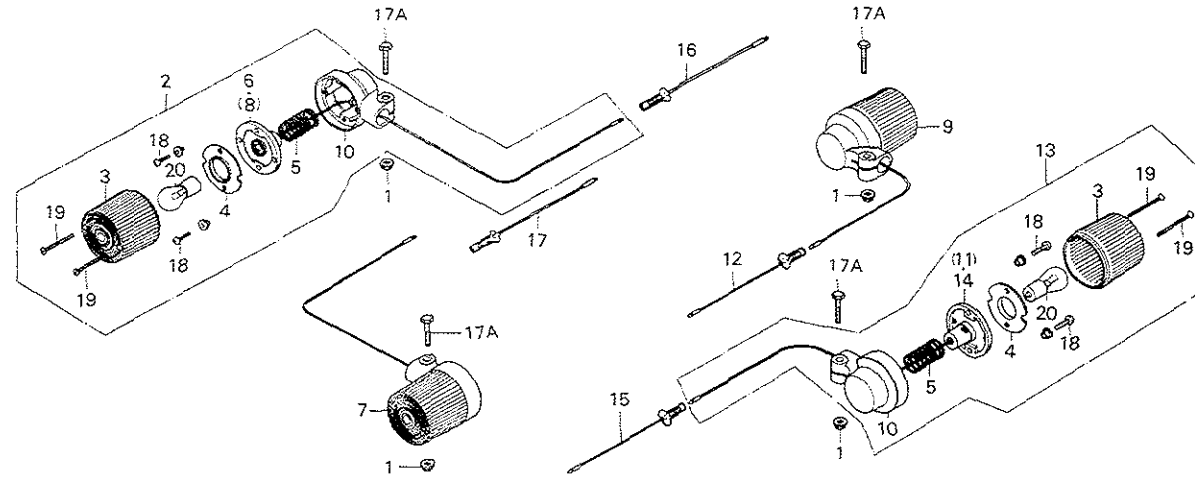
Block No.

F-21-2

Winker (G)



Courtesy of www.honda4fun.com



B392-39-2

Service Item	F.R.T.	Ref. No.	Part No.	Description	Reqd. No. CB750F CB750F1	Serial No.	Area Code
FRONT WINKER ASSY. and its related parts	0.2	1	18362-720-000	NUT, FLANGE, 6MM	4		G
• REAR WINKER ASSY. and its related parts		2	33400-292-612	WINKER ASSY., R. FR.	1		G
- Add 0.1		3	33402-268-610	LENS, FR. WINKER	4		G
WINKER LENS/BULB	0.1	4	33403-285-010	RING, WINKER	4		G
		5	33404-285-000	SPRING, COIL	4		G
		6	33410-292-610	SOCKET, R. FR. WINKER	1		G
		7	33450-292-612	WINKER ASSY., L. FR.	1		G
		8	33460-292-610	SOCKET, L. FR. WINKER	1		G
		9	33600-341-610	WINKER ASSY., R. RR.	1		G
		10	33605-292-610	BASE, WINKER	4		G
		11	33610-300-610	SOCKET, R. RR. WINKER	1		G
		12	33615-107-670	CORD, R. RR. WINKER SUB	1		G
		13	33650-341-610	WINKER ASSY., L. RR.	1		G
		14	33660-300-610	SOCKET, L. RR. WINKER	1		G
		15	33665-107-670	CORD, L. RR. WINKER SUB	1		G
		16	33714-065-740	SUB-CORD, R. FR. WINKER	1		G
		17	33715-065-740	SUB-CORD, L. FR. WINKER	1		G
		17A	93000-06028-02	BOLT, HEX., 6X28	4		G
		18	93500-03010-0A	SCREW, PAN, 3X10	8		G
		19	93700-03045-0B	SCREW, OVAL, 3X45	8		G
		20		BULB, WINKER (LOCAL PROCUREMENT)	4		G

1976.07.10

I16

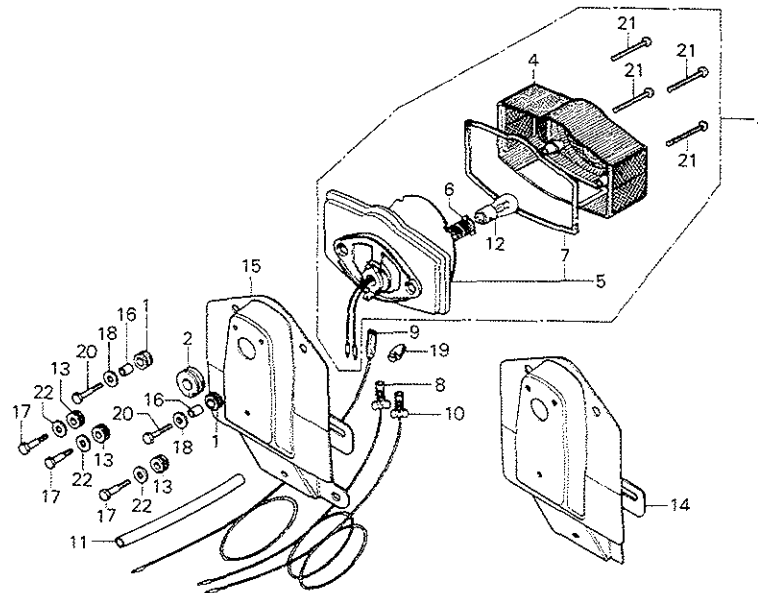


Block No.

F-22

Tail Light

(A, CM, DK, DM, U)



8392-40A

Service Item	F.R.T.	Ref. No.	Part No.	Description	Reqd. No.		Serial No.	Area Code
					CB750F	CB750F1		
NUMBER PLATE BRACKET	0.3	1	31403-300-000	RUBBER, REGULATOR CUSHION	2	2		A,CM,DK,DM,U
TAIL LIGHT UNIT/TAIL LIGHT BASE and those related parts	0.2	2	32983-028-000	GROMMET, WIRE HARNESS	1	1		A,CM,DK,DM,U
		3	33701-354-670	LIGHT UNIT, TAIL (12V 32/3CP)	1	1		A
• TAIL LIGHT SUB CORD	0.1		33701-341-910	LIGHT UNIT, TAIL (12V 32/3CP)	1			CM
			33701-369-000	TAIL LIGHT UNIT	1		1022230	DK,DM,U
TAIL LIGHT LENS/BULB	0.1		33701-341-900	LIGHT UNIT, TAIL	1		1022231	DK,DM,U
		4	33702-341-671	LENS, TAIL LIGHT	1	1		A,CM
			33702-341-003	LENS, TAIL LIGHT	1	1		DK,DM,U
		5	33703-354-670	BASE COMP., TAIL LIGHT	1	1		A
			33703-341-900	BASE COMP., TAIL LIGHT	1		1022230	DK,DM,U
					1		1022231	CM,DK,DM,U
		6	33708-341-671	CORD COMP., TAIL LIGHT	1	1		A,CM,DK,DM,U
		7	33709-341-671	PACKING, TAIL LIGHT LENS	1	1		A,CM,DK,DM,U
		8	33711-300-000	CORD, TAIL LIGHT SUB	1	1		A,CM,DK,DM,U
		9	33712-300-003	CORD, TAIL LIGHT EARTH (STANLEY)	1	1		A,CM,DK,DM,U
		10	33713-300-000	CORD, STOP LIGHT SUB	1	1		A,CM,DK,DM,U
		11	33720-300-000	TUBE, WIRE CORD	1	1		A,CM,DK,DM,U
		12	34906-341-671	BULB, TAIL & STOP LIGHT (12V 32/3CP)	1	1		A,CM
			34906-313-671	BULB, TAIL & STOP LIGHT (12V 23/8W)	1			DK,DM,U
		13	80101-283-000	RUBBER, RR. FENDER CUSHION	3	3		A,CM,DK,DM,U
		14	84701-392-000ZA	BRACKET, NUMBER PLATE *NH-1*	1	1		DK,DM,U
		15	84701-392-670ZA	BRACKET, NUMBER PLATE *NH-1*	1	1		A,CM
		16	84706-378-000	COLLAR, TAIL LIGHT UNIT	2	2		A,CM,DK,DM,U
		17	90162-292-000	BOLT, FR. FENDER SETTING	3	3		A,CM,DK,DM,U

1976.07.10

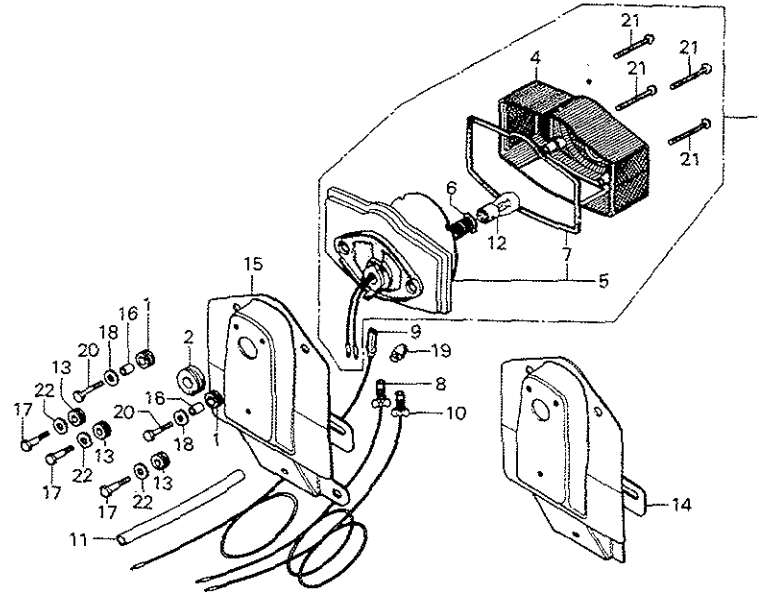
J1

J 2

Block No.

F-22

Tail Light
(A, CM, DK, DM, U)



B392-40A

Service Item	F.R.T.	Ref. No.	Part No.	Description	Reqd. No.		Serial No.	Area Code
					OB750F	OB750F1		
		18	90581-342-000	WASHER, 20MM	2	2		A, CM, DK, DM, U
		19	90899-283-000	PLUG, CORN	1	1		A, CM, DK, DM, U
		20	92000-05020-0B	BOLT, HEX., 5x20	2	2		A, CM, DK, DM, U
		21	93500-04055-08	SCREW, PAN, 4x55	4	4		A, CM, DK, DM, U
		22	94101-08000	WASHER, PLAIN, 8MM	3	3		A, CM, DK, DM, U

1976.07.10

J2



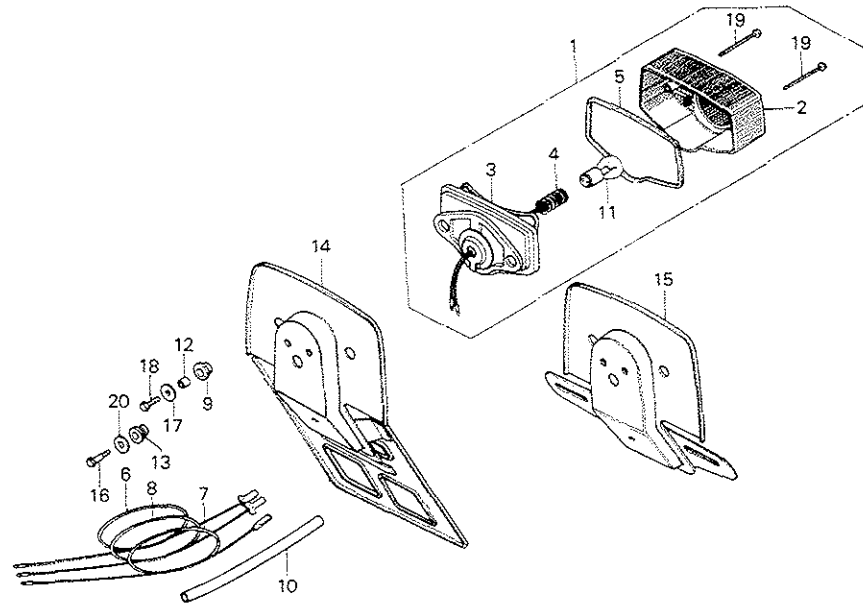
Block No.

F-22-1

Tail Light
(E, ED, F)



Courtesy of Honda4Fun
www.honda4fun.com



8392-40-1

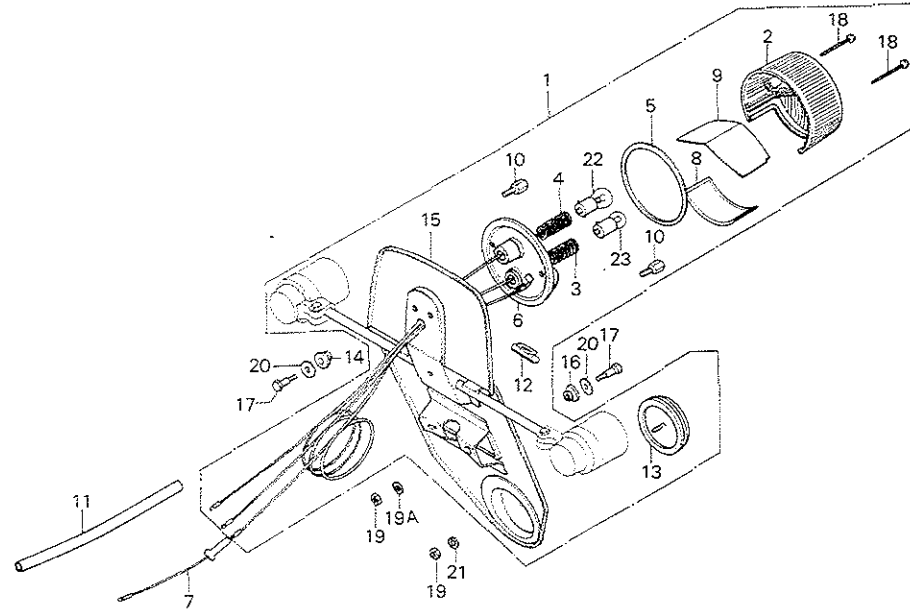
Service Item	F.R.T.	Ref. No.	Part No.	Description	Reqd. No.		Area Code
					CB750F	CB750F1	
NUMBER PLATE BRACKET	0.3	1	33701-323-603	LIGHT UNIT, TAIL (12V 21/5W)	1		E,ED,F
TAIL LIGHT UNIT/TAIL LIGHT BASE and those related parts	0.2	2	33702-323-603	LENS, TAIL LIGHT	1		E,ED,F
		3	33703-077-671	BASE, TAIL LIGHT	1		E,ED,F
• TAIL LIGHT SUB CORD	0.1	4	33708-077-671	CORD COMP., TAIL LIGHT	1		E,ED,F
TAIL LIGHT LENS/BULB		5	33709-077-671	PACKING, TAIL LIGHT LENS	1		E,ED,F
		6	33711-300-000	CORD, TAIL LIGHT SUB	1		E,ED,F
		7	33712-300-003	CORD, TAIL LIGHT EARTH (STANLEY)	1		E,ED,F
		8	33713-300-000	CORD, STOP LIGHT SUB	1		E,ED,F
		9	33719-077-671	PACKING B, TAIL LIGHT BASE	2		E,ED,F
		10	33720-300-000	TUBE, WIRE CORD	1		E,ED,F
		11	34906-594-602	BULB, TAIL & STOP LIGHT (12V 21/5W)	1		E,ED,F
		12	35851-292-000	COLLAR, STARTING MAGNETIC SWITCH SET	2		E,ED,F
		13	80101-283-000	RUBBER, RR. FENDER CUSHION	3		E,ED,F
		14	84701-392-600ZA	BRACKET, NUMBER PLATE *NH-1*	1		E
		15	84701-392-620ZA	BRACKET, NUMBER PLATE *NH-1*	1		ED,F
		16	90162-292-000	BOLT, FR. FENDER SETTING	3		E,ED,F
		17	90581-310-000	WASHER, PLAIN, 20MM	2		E,ED,F
		18	92000-05020-08	BOLT, HEX., 5X20	2		E,ED,F
		19	93500-04050-4J	SCREW, PAN, 4X50	2		E,ED,F
		20	94101-08000	WASHER, PLAIN, 8MM	3		E,ED,F



Block No.

F-22-2

**Tail Light
(G)**

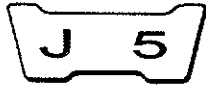


B392-40-2

Service Item	F.R.T.	Ref. No.	Part No.	Description	Reqd. No. CB750F CB750F1	Serial No.	Area Code
NUMBER PLATE BRACKET	0.5	1	33700-392-610	LIGHT ASSY., TAIL	1		G
TAIL LIGHT ASSY. TAIL LIGHT SOCKET and those related parts	0.2	2	33701-051-000	LENS, TAIL & STOP LAMP	1		G
		3	33707-392-610	CORD, TAIL LIGHT	1		G
		4	33708-392-610	CORD, STOP LIGHT	1		G
TAIL & STOP LAMP LENS/BULB	0.1	5	33709-051-000	PACKING, TAIL LIGHT LENS	1		G
		6	33710-300-610	SOCKET COMP., TAIL LIGHT	1		G
		7	33712-300-600	CORD, TAIL LIGHT EARTH	1		G
		8	33715-051-000	LENS, LICENSE	1		G
		9	33716-051-000	PLATE, INTERCEPTION	1		G
		10	33717-292-610	BOLT, TAIL LIGHT SETTING	2		G
		11	33720-300-000	TUBE, WIRE CORD	1		G
		12	33722-323-610	GROMMET, RR. TURN SIGNAL CORD	1		G
		13	33741-333-610	REFLECTOR, REFLEX	1		G
		14	80101-283-000	RUBBER, RR. FENDER CUSHION	3		G
		15	84701-392-610ZA	BRACKET, NUMBER PLATE *NH-1*	1		G
		16	84705-292-000	RUBBER, NUMBER BRACKET CUSHION	2		G
		17	90162-292-000	BOLT, FR. FENDER SETTING	5		G
		18	93700-03048-0B	SCREW, OVAL, 3X48	2		G
		19	94001-06000	NUT, HEX., 6MM	3		G
		19A	94101-06000	WASHER, PLAIN, 6MM	2		G
		20	94101-08200	WASHER, PLAIN, 8MM	5		G
		21	94111-06000	WASHER, SPRING, 6MM	1		G
		22		BULB, TAIL LIGHT (LOCAL PROCUREMENT)	1		G
		23		BULB, STOP LIGHT (LOCAL PROCUREMENT)	1		G

1976.07.10

J4



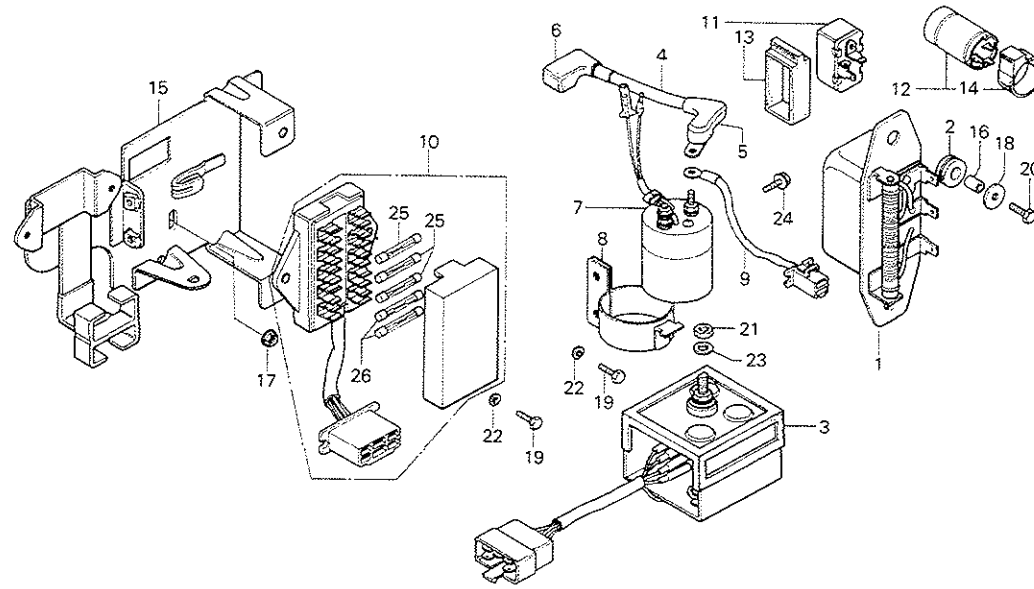
Block No.

F-23

**Electric Base •
Fuse • Regulator**



Courtesy of Honda4Fun
www.hondafour.com www.honda4fun.com



B392-41A

Service Item	F.R.T.	Ref. No.	Part No.	Description	Reqd. No.		Serial No.	Area Code
					CB750F	CB750F1		
ELECTRIC BASE PLATE	0.4	1	31400-300-035	REGULATOR ASSY. (HITACHI)	1	1		
• STARTER MAGNETIC SWITCH/STAY		2	31403-300-000	RUBBER, REGULATOR CUSHION	2	2		
• FUSE BOX		3	31700-341-015	RECTIFIER ASSY.	1	1		
REGULATOR	0.2	4	32401-392-000	CABLE, BATTERY STARTER	1	1		
• STARTER BATTERY CABLE		5	32412-300-010	COVER A, BATTERY TERMINAL	1	1		
SILICON RECTIFIER	0.1	6	32413-300-010	COVER B, BATTERY TERMINAL	1	1		
• RECTIFIER		7	35850-371-670	SWITCH ASSY., STARTER MAGNETIC	1	1		
• WINKER RELAY		8	35851-300-000	STAY, STARTER MAGNETIC SWITCH	1	1		
					1	1	1018360	DK,DM,E,ED,F,G,U
			35851-392-000	STAY, STARTER MAGNETIC SWITCH	1	1	2014518	A
					1	1	1018361	DK,DM,E,ED,F,G,U
					1	1	2014519	A
					1	1		CM
		9	35858-392-000	CORD, MAGNETIC SUB	1	1		
		10	38200-377-005	BOX ASSY., FUSE (DAICHI)	1	1		
		11	38300-292-670	RELAY ASSY., WINKER (SIGNAL STAT)	1	1		A,CM
		12	38300-300-000	RELAY ASSY., TURN SIGNAL	1	1		DK,DM,U
			38300-300-610	RELAY ASSY., TURN SIGNAL	1	1		E,ED,F,G
		13	38306-092-670	SUSPENSION, WINKER RELAY	1	1		A,CM
		14	38306-292-000	SUSPENSION, WINKER RELAY	1	1		DK,DM,E,ED,F,G,U
		15	50330-392-000	BASE, ELECTRIC	1	1		
		16	84706-286-000	COLLAR, NUMBER BRACKET SET	2	2		
		17	90145-634-670	NUT, FR. COMBINATION BRACKET	1	1		
		18	90581-701-000	WASHER, 18MM	2	2		
		19	92000-06016	BOLT, HEX., 6X16	2	2		
		20	92000-06020	BOLT, HEX., 6X20	2	2		

1976.07.10

J5

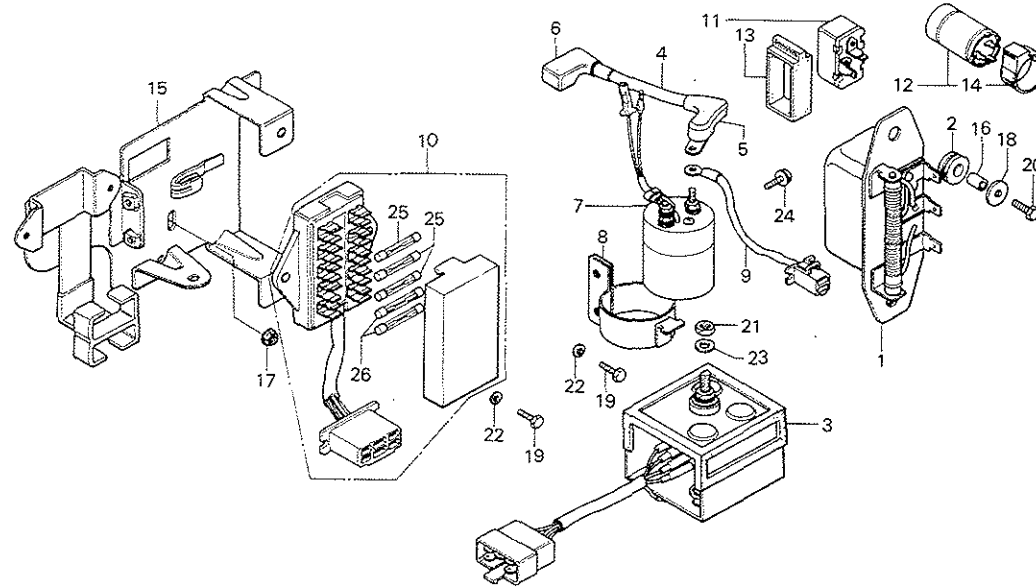
J 6

Block No.

F-23

**Electric Base •
Fuse • Regulator**

Courtesy of  Honda4Fun
www.honda4fun.com www.honda4fun.com



8392-41A

Service Item	F.R.T.	Ref. No.	Part No.	Description	Reqd. No.		Area Code
					CB750F	CB750F1	
		21	94001-08000-0S	NUT, HEX., 8MM	1	1	
		22	94101-06000	WASHER, PLAIN, 6MM	2	2	
		23	94111-08000	WASHER, SPRING, 8MM	1	1	
		24	95700-06012	BOLT, FLANGE, 6X12	2	2	
		25	98200-20700	FUSE, 7A	3	3	
		26	98200-21500	FUSE, 815	2	2	

1976.07.10

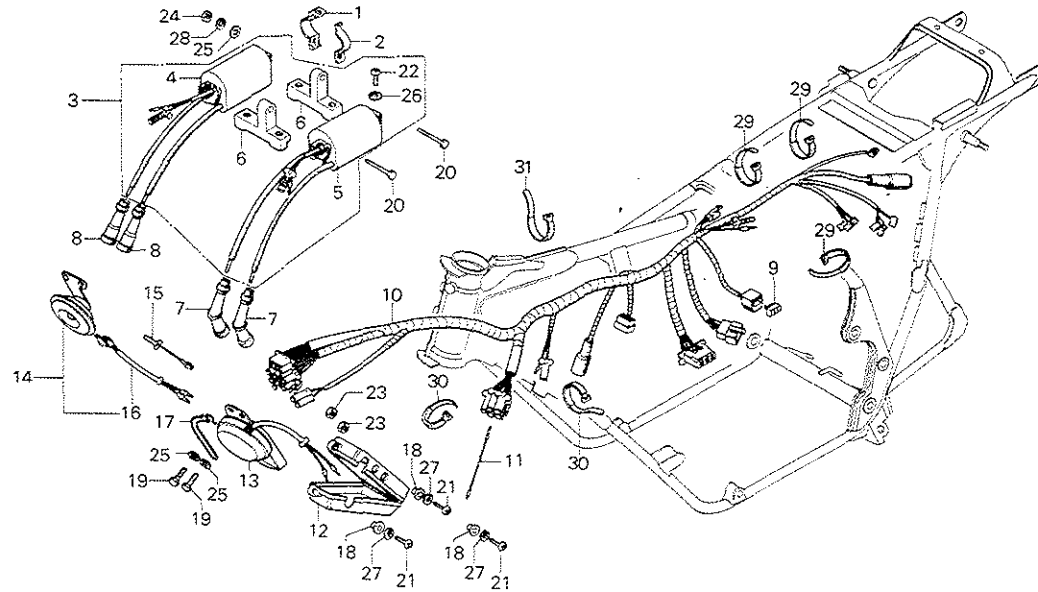
J6



Block No.

F-24

**Wire Harness •
Ignition Coil • Horn**



Courtesy of  Honda4Fun
www.hondafour.com www.honda4fun.com

B392-42A

Service Item	F.R.T.	Ref. No.	Part No.	Description	Reqd. No.		Area Code
					CB750F	CB750F1	
WIRE HARNESS	2.2	1	30151-300-000	BAND A, IGNITION COIL SETTING	1	1	
IGNITION COIL and its related parts	0.5	2	30152-300-000	BAND B, IGNITION COIL SETTING	1	1	
HORN	0.1	3	30500-300-013	COIL ASSY., IGNITION (TOYO)	1	1	
♦ HARNESS BOX		4	30501-300-013	COIL, R. IGNITION (TOYO)	1	1	
		5	30502-300-013	COIL, L. IGNITION (TOYO)	1	1	
		6	30511-300-000	BRACKET, IGNITION COIL	2	2	
		7	30700-300-010	CAP ASSY. A, NOISE SUPPRESSER	2	2	A, CH, DK, DM, U
			30700-341-620	CAP ASSY. A, NOISE SUPPRESSER	2	2	E, ED, F, G
		8	30710-300-010	CAP ASSY. B, NOISE SUPPRESSER	2	2	A, CH, DK, DM, U
			30710-341-620	CAP ASSY. B, NOISE SUPPRESSER	2	2	E, ED, F, G
		9	31700-124-003	RECTIFIER ASSY., SILICON (STANLEY)	1	1	
			31700-124-008	RECTIFIER ASSY. (SHINDENGEN)	1	1	
		10	32100-392-000	HARNESS, WIRE	1	1	
		11	32200-390-670	SUB CORD, HARNESS	1	1	A, CH
		12	32400-392-000	BOX, HARNESS	1	1	
		13	38100-300-023	HORN ASSY. (MITSUBA)	1	1	A, CH, DK, DM, U
		14	38100-392-620	HORN ASSY.	1	1	E, ED, F, G
		15	38105-323-000	CORD, HORN EARTH	1	1	DK, DM, E, ED, F, G, U
		16	38120-392-620	SUB CORD, HORN	1	1	E, ED, F, G
		17	50462-323-000	CLAMP, TACHOMETER CABLE	1	1	
		18	61304-292-000	COLLAR, HEAD LIGHT SETTING	3	3	
		19	92000-06016	BOLT, HEX., 6X16	2	2	
		20	92000-06025	BOLT, HEX., 6X25	2	2	

1976.07.10

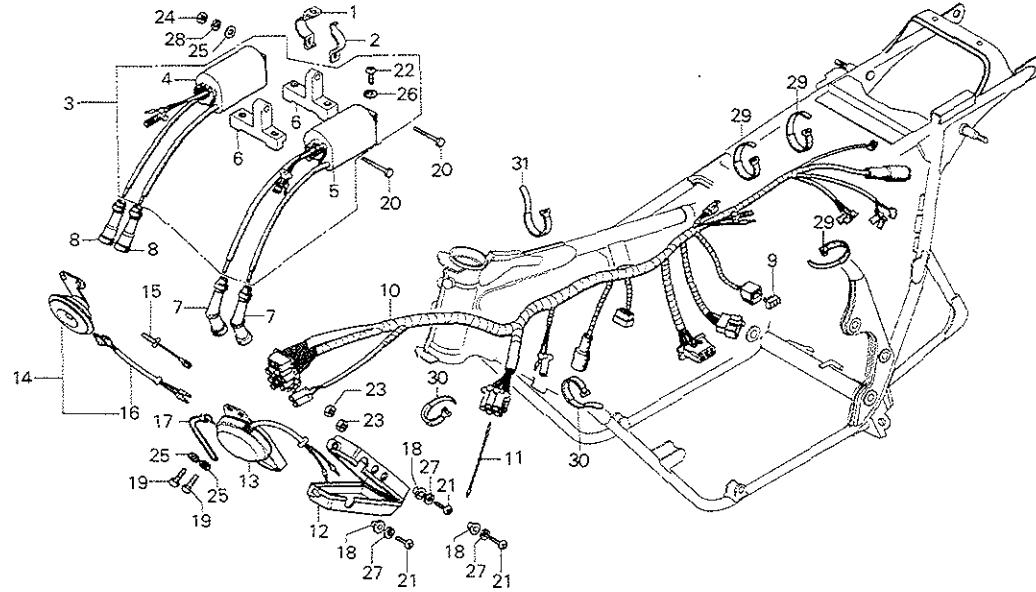
J7

J 8

Block No.

F-24

**Wire Harness ·
Ignition Coil · Horn**



8392-42A

Service Item	F.R.T.	Ref. No.	Part No.	Description	Reqd. No.		Area Code
					CB750F	CB750F1	
		21	93500-05012-0G	SCREW, PAN, 5X12	3		
					3		1016982 DK,DM,E,ED,F,G,U
					3		2013284 A
			93500-05016-0G	SCREW, PAN, 5X16	3	1016983	CM,DK,DM,E,ED,F,G,U
					3	2013285	A
		22	93500-05020-0A	SCREW, PAN, 5X20	4		
		23	94001-05000-OS	NUT, HEX., 5MM	2		
		24	94001-06000	NUT, HEX., 6MM	2		
		25	94101-06000	WASHER, PLAIN, 6MM	4		
		26	94111-05000	WASHER, SPRING, 5MM	4		
		27	94111-05700	WASHER, SPRING, 5MM	3		
		28	94111-06000	WASHER, SPRING, 6MM	2		
		29	95014-61100	BAND A1, WIRE	4		
		30	95014-61200	BAND A2, WIRE	4		
		31	95014-61300	BAND A3, WIRE	1		

1976.07.10

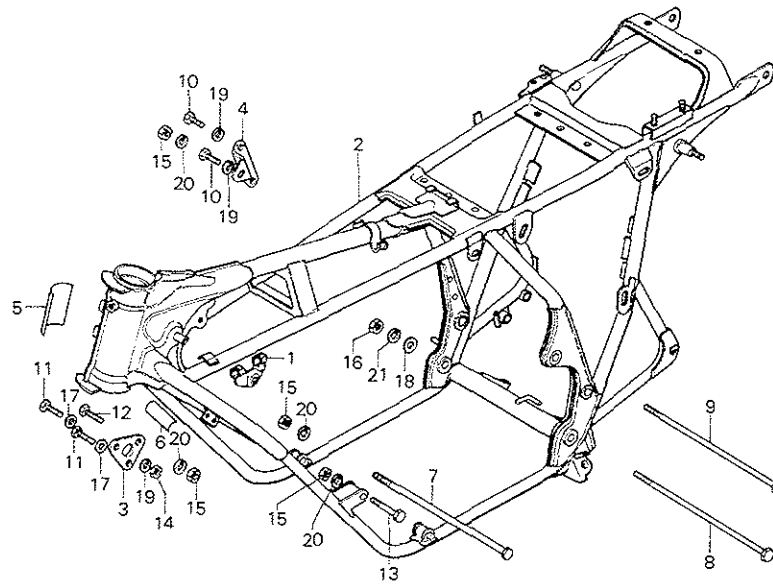
J8



Block No.

F-25

Frame Body



8392-43A

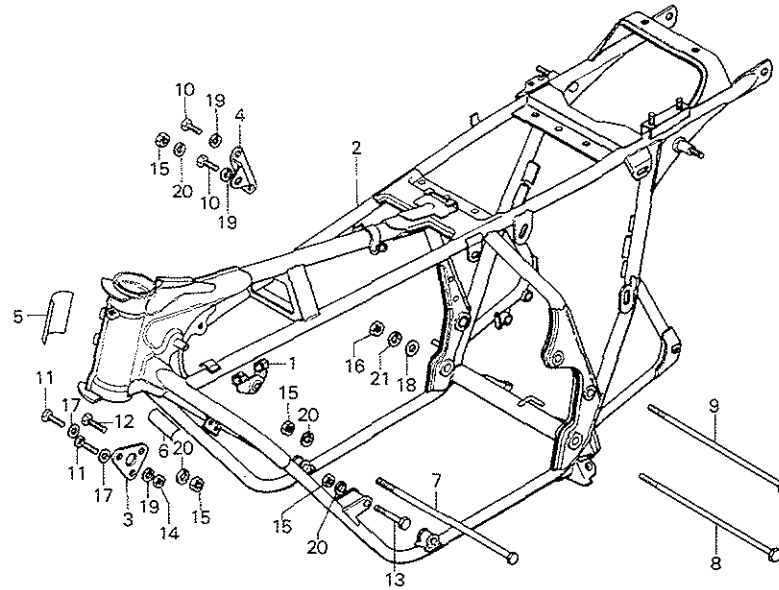
Service Item	F.R.T.	Ref. No.	Part No.	Description	Regd. No.		Serial No.	Area Code	
					CB750F	CB750F1			
FRAME BODY COMP.	≈9.0	1	32174-392-000	HOLDER, WIRE HARNESS	1				
REAR ENGINE HANGER BRACKET	0.2	2	50100-392-000ZA	BODY COMP., FRAME *NH-1*	1		1016080	U OK,DM	
FRONT ENGINE HANGER BRACKET	0.1		50100-392-610ZA	BODY COMP., FRAME *NH-1*	1		1022331	E	
			50100-392-670ZA	BODY COMP., FRAME *NH-1*	1		1026075	ED,F A,CM	
			50100-392-611ZA	BODY COMP., FRAME *NH-1*	1	1022332		E	
			50100-392-650ZA	BODY COMP., FRAME *NH-1*	1	1026076		ED,F G	
			50100-392-650ZA	BODY COMP., FRAME *NH-1*	1	1016081		U	
		3	50351-300-040	BRACKET, FR. ENGINE HANGER	1				
		4	50356-392-000	BRACKET, RR. ENGINE HANGER	1				
		5	87125-041-680	PLATE, NAME	1		1016080	U OK,DM	
					1				
		6	87501-392-610	PLATE, REGISTERED NUMBER	1			E,ED,F,G	
		7	90152-300-010	BOLT A, ENGINE HANGER	1	1			
		8	90155-392-000	BOLT, RR. ENGINE HANGER LOWER	1	1			
		9	90156-300-000	BOLT C, ENGINE HANGER	1	1			
		10	92000-08020-0A	BOLT, HEX., 8X20	2	2			
		11	92000-08060-0A	BOLT, HEX., 8X60	2	2			
		12	92000-10050-0A	BOLT, HEX., 10X50	1	1			
		13	92200-10080-0A	BOLT, HEX., 10X80	1	1			
		14	94001-08000-0S	NUT, HEX., 8MM	2	2			
		15	94030-10200	NUT, HEX 10MM	4	4			
		16	94030-12200	NUT, HEX 12MM	1	1			
		17	94102-08000	WASHER, PLAIN, 8MM	2	2			
		18	94102-12000	WASHER, PLAIN, 12MM	1	1			
1976.07.10					J9				

J 10

Block No.

F-25

Frame Body



Courtesy of  Honda4Fun
www.hondafour.com www.honda4fun.com

B392-43A

Service Item	F.R.T.	Ref. No.	Part No.	Description	Reqd. No. OB750F CB750F1	Serial No.	Area Code
		19	94111-08000	WASHER; SPRING; 8MM	4 4		
		20	94111-10000	WASHER; SPRING; 10MM	4 4		
		21	94111-12000	WASHER; SPRING; 12MM	1 1		

1976.07.10

J10

PART NO. INDEX

Courtesy of  Honda4Fun
www.honda4fun.com www.honda4fun.com

Part No.	Address No.	Part No.	Address No.	Part No.	Address No.	Part No.	Address No.	Part No.	Address No.	Part No.	Address No.
11000		13101-392-020	C8	15000		16154-300-004	D10	17910-341-611	G2	23471-300-010	D6
11000-341-000	D2	13102-392-000	C7	15010-300-000	D1	16165-341-004	D10	17920-341-000	G2	23481-300-020	D6
11209-300-000	D2	13102-392-020	C8	15100-300-000	D1	16211-300-030	C3	17920-341-611	G2	23485-392-000	D6
11210-300-050	C16	13103-392-000	C7	15105-300-010	D1	16212-300-030	C3			23491-392-000	D6
11342-300-050	C11	13103-392-020	C8	15135-300-010	D1	16235-657-000	D10	18000		23501-392-000	D6
11348-392-000	C11	13104-392-000	C7	15140-300-010	D1	16290-300-010	D10	18200-392-000	I5	23511-392-000	D5
11351-300-060	C14	13104-392-020	C8	15145-300-000	D1	16950-341-671	H13	18231-392-000	I5	23521-392-000	D5
11354-300-010	C14	13105-392-000	C8	15147-300-000	D1	16951-341-671	H13	18233-392-000	I5	23801-300-010	D5
11355-300-000	D2	13105-392-020	C8	15150-300-000	D1	16952-341-671	H13	18291-254-000	I5	23811-292-000	D5
11360-300-050	C14	13111-300-000	C8	15155-300-000	D1	17000		18300-392-000	I5	24000	
11395-300-040	C14	13202-300-000	D4	15161-300-000	D1	17211-392-000	I3	18310-392-000	I5	24211-300-020	D8
11396-300-303	C11	13204-300-000	D4	15166-300-000	D1	17215-392-000	I3	18312-392-000	I5	24212-300-020	D8
11397-300-303	C13	13206-300-000	D4	15171-300-010	D1	17216-392-000	I3	18361-392-000	I5	24213-300-020	D8
11398-300-303	C16	13208-300-000	D4	15176-300-000	D1	17217-392-000	I3	18362-720-000	I13	24261-300-030	D8
11631-300-040	C13	13210-300-000	D4	15326-300-000	D2	17218-392-000	I3			24300-392-000	D8
		13213-333-003	D4	15331-300-000	D2	17219-392-000	I3	18371-392-000	I5	24421-200-000	D8
		13214-300-000	D4	15336-300-010	D2	17220-300-010	I3	18372-392-000	I5	24430-392-000	D8
12000		13215-300-013	D4	15337-300-010	D2	17230-392-000	I3	18391-310-000	I5	24435-300-030	D8
12010-300-040	C6	13216-300-013	D4	15411-300-010	C16	17231-392-000	I3	18391-392-000	I5	24436-392-000	D8
12025-300-300	C3	13218-300-013	D4	15412-300-024	C16	17237-392-000	I3			24438-392-000	D8
12027-300-330	C3	13315-300-013	D4	15414-300-000	C16	17238-392-000	I3	22000		24440-392-000	D8
12100-300-050	C7	13316-300-013	D4	15415-300-000	C16	17239-392-000	I3	22100-392-000	C12	24441-392-000	D8
12115-300-000	C7	13317-300-013	D4	15420-300-020	C16	17240-392-000	I3	22120-300-040	C12	24443-300-000	D8
12116-300-000	C7	13318-300-013	D4	15473-300-300	C16	17245-107-010	G4	22201-300-000	C12	24444-300-020	D8
12191-300-030	C7	13491-300-000	D5	15474-300-310	C16		G6	22202-371-000	C12	24445-300-020	D8
12195-300-000	C3	13495-300-000	D6	15477-300-300	C16	17247-303-000	H14	22321-283-000	C12	24447-300-000	D8
		13496-300-000	D5	15510-300-017	D2	17253-341-300	I3	22321-283-000	C12	24610-300-010	D8
12200-392-000	C3	13620-300-010	D5	15520-392-020	D2	17255-230-000	I3	22350-300-030	C12	24641-300-000	D8
12209-300-003	C4			15763-392-000	C2	17255-300-010	C3	22360-300-010	C12	24651-300-020	D8
12211-250-310	C3	14000		15772-292-010	C2	17259-392-000	I3	22401-275-000	C12	24652-300-000	D8
12238-300-010	C3			15772-551-000	D2	17260-392-000	I3	22810-300-000	C11	24661-300-000	D8
12251-300-004	C3	14101-392-000	C6			17261-392-000	I3	22815-300-000	C11	24663-300-000	D9
12251-300-070	C3	14321-392-000	C4	16000		17262-392-000	I3	22820-300-000	C11	24666-300-000	D9
12310-300-060	C2	14401-286-003	C4	16010-300-014	D10	17263-392-000	I3	22830-300-000	C11	24701-300-020	H6
12321-300-030	C2	14431-300-030	C4	16011-341-004	D10	17264-392-000	I3	22841-300-000	C11		
12329-300-020	C2	14432-300-030	C4	16012-392-004	D10	17265-392-000	I3	22846-300-000	C12	28000	
12361-300-000	C2	14461-300-020	C4	16013-300-004	D10	17358-392-000	I3	22860-300-006	C11		
12391-300-040	C2	14462-300-010	C4	16014-300-014	D10	17500-392-000ZA	H13	22870-392-000	G2	28101-300-000	C14
12431-300-010	C2	14500-300-000	C4	16015-300-004	D10	17500-392-000ZB	H13	22870-392-610	G2	28106-300-000	C14
12435-300-003	C2	14530-300-010	C4	16016-392-004	D10	17500-392-000ZD	H13			28109-300-000	C14
		14541-300-000	C4	16023-300-004	D10	17500-392-000ZE	H13			28110-300-000	C14
13000		14550-300-030	C4	16025-300-004	D10	17526-390-000	H13			28120-300-000	C13
13000-300-050	D4	14592-300-000	C4	16026-300-004	D10	17611-045-670	I10	23110-392-000	D5	28125-516-030	C13
13011-300-024	C7	14601-312-000	C4	16028-300-004	D10	17611-283-010	H13	23131-300-015	D5	28126-516-020	C13
13011-392-004	C7	14605-286-020	C4	16032-300-004	D10	17613-392-000	H13	23150-300-010	D8	28128-516-000	C13
13021-300-024	C7	14606-286-000	C4	16035-392-004	D10	17620-390-000	H13	23210-392-000	D6	28210-300-000	D5
13021-392-000	C7	14607-300-000	C4	16036-392-004	D10	17620-390-010	H13	23220-371-000	D6	28240-392-000	H6
13031-300-024	C7	14611-300-000	C4	16100-392-004	D10	17631-329-000	H13	23421-300-050	D6	28250-300-020	D5
13031-392-000	C7	14612-286-000	C4	16101-392-004	D10	17735-390-000	H13	23425-392-000	D6	28251-300-030	D5
13031-392-000	C7	14711-300-005	C4	16102-392-004	D10	17738-390-000	H13	23431-392-000	D6	28252-300-020	D5
13041-300-024	C7	14721-300-005	C4	16103-392-004	D10	17740-392-000ZA	H13	23440-392-000	D6	28253-300-000	D5
13041-392-000	C7	14751-300-003	C4	16104-392-004	D10	17910-341-000	G2	23450-392-000	D6	28254-300-000	D5
13051-300-024	C7	14761-300-003	C4	16141-300-014	D10			23460-392-000	D6	28255-300-000	D5
13051-392-000	C7	14771-551-020	C5								
13101-392-000	C7	14775-300-000	C5								
		14781-551-000	C5								

PART NO. INDEX

Part No.	Address No.	Part No.	Address No.	Part No.	Address No.	Part No.	Address No.	Part No.	Address No.	Part No.	Address No.
28256-300-000	D5	31282-300-020	C14	33125-292-670	G4	33610-300-000	I14	33741-340-670	G8	37246-323-700	G10
28261-300-010	D5	31283-300-000	C14	33128-292-670	G4	33610-300-610	I16	33743-375-000	G4	37250-392-009	G10
28271-393-000	D5	31400-300-035	J5		G6	33615-107-670	I16		G6	37250-392-771	G10
28292-250-010	H6	31403-300-000	J1		G8	33650-323-631	I14		G8	37260-390-000	G10
28293-250-000	H6		J5	33130-300-671	G4	33650-341-610	I16	33905-303-003	G8	37261-390-000	G10
28311-329-000	H6	31700-124-003	J7		G8	33650-374-671	I12			37600-377-018	G11
28321-300-000	H6	31700-124-008	J7	33130-323-003	G6	33650-390-003	I12	34000			
28333-300-000	H6	31700-341-015	J5	33153-375-671	G4	33655-374-671	I12			38000	
					G8	33655-377-671	I12	34902-259-000	G10		
30000		32000		33170-323-003	G6	33660-300-000	I14	34903-071-003	G6	38100-300-023	J7
				33170-390-611	G8	33660-300-610	I16	34905-268-671	I12	38100-392-620	J7
30151-300-000	J7	32100-392-000	J7	33321-371-672	G4	33665-107-670	I16	34905-271-611	I14	38105-323-000	J7
30152-300-000	J7	32111-300-000	C16	33400-292-612	I16	33700-392-610	J4	34906-313-671	I12	38120-392-620	J7
30200-300-015	C9	32111-323-000	D2	33400-317-730	I14	33701-051-000	J4		J1	38200-377-005	J5
30200-300-154	C9	32116-300-010	C13	33400-377-671	I12	33701-323-603	J3	34906-341-671	J1	38300-292-670	J5
30201-300-015	C9	32123-390-000	G12	33400-390-003	I12	33701-341-900	J1	34906-594-602	J3	38300-300-000	J5
30201-300-154	C9	32170-647-000	I10	33401-268-671	I14	33701-341-910	J1			38300-300-610	J5
30203-300-005	C9	32174-392-000	J9	33401-292-003	I14	33701-354-670	J1	35000		38306-092-670	J5
30203-300-154	C9	32200-390-670	J7	33401-377-671	I12	33701-369-000	J1			38306-292-000	J5
30204-300-005	C9	32400-392-000	J7	33401-390-003	I12	33702-323-603	J3	35010-377-000	G10	38400-341-674	G4
30204-300-154	C9	32401-392-000	J5	33402-268-610	I16	33702-341-003	J1	35010-377-610	G10		G6
30205-003-005	C9	32412-300-010	J5	33402-268-671	I14	33702-341-671	J1	35010-377-670	G10		G9
30205-300-154	C9	32413-300-010	J5	33402-377-671	I12	33703-077-671	J3	35100-377-003	G10		
30215-300-005	C9	32601-392-000	H14	33403-285-010	I16	33703-341-900	J1	35100-377-611	G10	40000	
30215-300-154	C9	32700-390-000	G10	33404-285-000	I16	33703-354-670	J1	35130-377-670	G2		
30220-300-005	C9	32983-028-000	J1	33405-377-671	I12	33707-392-610	J4	35150-377-013	G2	40500-392-670	I8
30220-300-154	C9	32985-300-000	I10	33406-268-671	I14	33708-077-671	J3	35200-390-003	G2	40510-392-000	I8
30231-300-010	C9			33406-377-671	I12	33708-341-671	J1	35200-390-671	G2	40513-310-000	H2
30233-300-000	C9	33000		33407-284-003	I14	33708-392-610	J4	35350-300-016	G15	40514-310-000	H2
30250-300-005	C9			33407-377-671	I12	33709-051-000	J4	35350-336-000	H6	40514-333-000	I8
30250-300-154	C9	33100-371-672	G4	33408-341-701	I14	33709-077-671	J3	35357-358-000	H6	40530-392-006	H10
30254-300-300	C9	33100-375-003	G6	33410-292-610	I16	33709-341-671	J1	35360-341-000	G2	40531-392-305	H10
30370-300-020	C9	33100-390-611	G8	33410-361-003	I14	33710-300-610	J4	35500-333-004	C14	40543-392-000	H10
30372-300-300	C9	33100-390-621	G8	33450-292-612	I16	33711-300-000	J1	35752-300-010	D9	40548-268-000	I8
30500-300-013	J7	33101-300-043	G6	33450-317-730	I14			35754-300-020	D9		
30501-300-013	J7	33101-300-673	G4	33450-377-671	I12	33712-300-003	J1	35850-371-670	J5	41000	
30502-300-013	J7		G8	33450-390-003	I12		J3	35851-292-000	J3		
30511-300-000	J7	33103-346-670	G4	33455-377-671	I12	33712-300-600	J4	35851-300-000	J5	41201-300-870	H10
30700-300-010	J7		G6	33460-292-610	I16	33713-300-000	J1	35851-392-000	J5	41211-392-000	H10
30700-341-620	J7		G8	33460-361-003	I14		J3	35858-392-000	J5	41231-283-000	H10
30710-300-010	J7	33107-300-003	G4	33600-323-631	I14	33714-065-740	I14			41231-286-000	H10
30710-341-620	J7		G6	33600-341-610	I16		I16	37000		41241-300-040	H10
			G8	33600-374-671	I12	33715-051-000	J4			41241-300-050	H10
			G8	33600-390-003	I12	33715-065-740	I14			41242-300-020	H10
31000		33114-390-611	G8	33602-323-631	I14		I16	37200-392-621	G10		
		33117-001-003	G4	33604-323-670	I14	33716-051-000	J4	37200-392-671	G10		
			G6	33604-374-670	I12	33717-292-610	J4	37200-392-771	G10	42000	
31101-300-035	C13		G8	33605-292-610	I16	33719-077-671	J3	37211-392-000	G10		
31102-300-035	C13	33119-371-003	G8	33605-323-670	I14	33720-300-000	J1	37220-390-003	H13	42301-392-000	H10
31103-300-035	C13	33120-375-003	G6	33605-374-671	I12		J3	37221-390-000	H13	42311-357-010	H10
31110-300-154	C13	33120-390-611	G8	33605-377-671	I12		J4	37235-323-700	G10	42311-392-000	H10
31200-300-030	C14	33121-375-671	G4	33606-074-010	I14	33722-323-610	G6	37236-323-700	G10	42601-392-000	H10
31201-292-158	C14		G8	33606-374-670	I12		G8	37236-392-000	G10	42601-392-010	H10
31204-292-158	C14	33122-623-621	G8	33606-374-670	I12		G6	37237-323-700	G10	42605-300-000	H10
31205-286-158	C14	33122-623-721	G8	33607-323-670	I14		J4	37238-323-700	G10	42609-341-000	H10
31206-286-158	C14	33125-087-621	G8	33607-374-670	I12	33741-333-610	J4	37243-323-700	G10	42620-392-000	H10
31270-300-154	C14	33125-087-761	G6	33609-374-670	I12	33741-340-670	G4	37244-307-670	G10	42701-300-013	H10
31280-300-000	C14						G6				

PART NO. INDEX

PART NO. INDEX

Part No.	Address No.	Part No.	Address No.	Part No.	Address No.	Part No.	Address No.	Part No.	Address No.	Part No.	Address No.
42711-341-003	H10	44609-283-000	H4	45516-371-003	H8	50619-375-000	I6	53190-369-700	G2	77100-392-000ZE	H16
42711-341-004	H11		H11	45517-300-003	G16	50630-392-000	I6	53192-268-000	G2	77101-392-000	H16
42711-341-671	H10	44620-300-020	H4	45518-371-003	H8	50640-392-000	I6	53200-392-000ZA	G12	77102-392-000	H16
42711-341-672	H10	44641-375-000	H4	45520-300-000	G16	50641-300-670B	I6	53200-392-610ZA	G12	77103-369-000	H16
42712-300-003	H11	44642-300-020	H4		H8	50642-369-670B	I6	53211-268-305	G12	77201-369-000	H16
42712-300-004	H11	44643-300-000	H4	45521-300-010	G16	50644-300-670	I6	53212-250-305	G12	77201-392-000	H16
42713-300-003	H11	44701-300-013	H4		H8	50661-369-000	I6	53215-250-000	G12	77204-312-000	H16
42713-300-004	H11	44711-341-003	H4	45522-300-010	G16	50710-377-000	I6	53220-286-000	G12	77205-286-000	H16
		44711-341-004	H4	45526-341-000	G16	50711-374-670	I6	53225-333-000	G12	77210-392-000ZA	H16
43000		44711-341-671	H4	45527-300-000	G16	50712-374-670	I6	53226-341-700	G12	77210-392-000ZB	H16
		44711-341-672	H4	45530-377-305	G16	50712-377-000	I6	53230-392-000	G12	77210-392-000ZD	H16
		44712-300-003	H4			50715-377-000	I6	53230-392-010	G12	77210-392-000ZE	H16
43120-371-000	H11	44712-300-004	H4	46000				53235-300-000	G12	77211-392-000	H16
43200-392-006	H6	44713-300-003	H4			51000		53600-051-000	G12	77212-392-000	H16
43200-392-016	H6	44713-300-004	H4	46500-392-000	H8			53603-051-000	G12	77215-392-000	H16
43201-392-006	H6	44800-300-030	H6	46503-371-000	H8	51400-392-003	H3	53604-098-940	G13	77216-392-010ZA	H16
43202-392-006	H6	44830-392-000	G11	46504-371-000	H8	51401-392-003	H3			77216-392-010ZB	H16
43205-371-006	H6	44831-300-672	G11	46510-392-000	H8	51411-392-003	H3	55000		77216-392-010ZD	H16
43207-371-006	H6			46514-392-000	H8	51412-340-000	H3			77216-392-010ZE	H16
43209-371-006	H6	45000				51421-392-003	H3	55100-392-000	H15	77217-392-010ZA	H16
43211-392-006	H6			50000		51425-375-003	H3	55105-392-000	H15	77217-392-010ZB	H16
43211-392-016	H6	45100-392-003	G15			51425-375-005	H3	55106-300-000	H15	77217-392-010ZD	I1
43213-371-006	H6	45101-392-003	G15	50100-392-000ZA	J9	51430-392-003	H3			77217-392-010ZE	I1
43214-371-006	H7	45102-392-003	G15	50100-392-610ZA	J9	51432-390-003	H3	61000		77220-340-011	I1
43215-371-006	H7	45104-317-700	G15	50100-392-611ZA	J9	51437-329-010	H3			77226-392-300	I1
43217-371-006	H7	45105-390-003	G15	50100-392-650ZA	J9	51466-375-000	H3	61100-341-600XW	H2	77227-392-300	I1
43218-371-006	H7	45105-390-006	G15	50100-392-670ZA	J9	51500-392-003	H3	61100-341-700XW	H2	77228-340-001	I1
43219-371-006	H7	45106-390-003	G15	50146-392-000	H8	51521-392-003	H3	61100-390-670	H2	77229-340-001	I1
43241-371-006	H7	45106-390-006	G15	50223-392-000	H16			61131-283-600B	H2	77230-377-003	I1
43310-392-003	H7	45107-392-003	G15	50301-268-305	G12	52000		61132-300-600	H2		
43352-568-003	H7	45115-392-003	G15	50302-268-305	G12			61301-375-003B	G4	80000	
43353-548-003	H7	45116-323-020	G15	50322-300-010	H14	52108-457-300	I8				
43431-392-000	H7	45117-300-020	G15	50323-300-010	H14	52110-392-000ZA	I8			80100-392-670	I10
43435-392-000	H7	45117-341-700	G15	50324-300-000	H14	52141-390-000	I8	61302-300-000	G4	80101-283-000	J1
43500-392-303	H7	45119-300-020	G15	50325-392-000	H14	52144-362-000	I8				J3
43500-392-621	H7	45120-392-000	H5	50326-341-670	H14	52400-392-003	I9				J4
43500-392-671	H7	45125-379-003	G15	50327-300-000	H14	52400-392-611	I9	61303-336-000	G4	80105-061-000	G11
43500-392-681	H7	45126-300-612	G15	50329-300-010	H14	52401-392-003	I9			80105-341-000	I10
43504-371-003	H7	45126-341-003	G15	50330-392-000	J5	52403-371-003	I9			80105-341-010	I10
43510-392-305	H7	45127-323-000	G15	50341-392-000	H14	52410-392-003	I9	61304-292-000	G4	80106-329-690	G4
43511-371-003	H7	45128-323-020	G15	50351-300-040	J9	52410-392-611	I9				G7
43530-392-003	H7	45140-341-670	G15	50356-392-000	J9	52422-371-003	I9				G9
43550-392-000	H7	45146-300-000	G15	50462-323-000	J7	52458-392-003	I9			80108-061-000	G11
		45215-533-043	G15	50500-392-000	I6	52459-371-003	I9	61312-392-000	G4		I13
44000		45224-579-013	G16	50523-300-010	I6	52484-292-000	I9				I14
		45225-579-013	G16	50526-300-000	I6	52517-385-000	I9			80110-392-000	I10
44301-300-000	H4	45451-283-000	H2	50527-392-000	I6			61313-392-000	G4	80111-392-000	I10
44311-300-000	H4	45465-341-700	G2	50530-390-680	I6	53000				80112-392-000	I10
44601-300-040	H4	45500-341-620	G16	50540-390-000	I6			61313-392-600	G6	80113-392-000	I10
44606-283-000	H4	45500-341-671	G16	50540-390-610	I6	53100-341-700	G12			80114-392-000	I10
	H11	45500-341-771	G16	50548-356-700	I6	53100-392-610	G12			80121-323-630	I10
44606-300-003	H4	45509-371-003	H7	50549-356-700	I6	53124-250-000	G12	77000		80250-392-600	I10
44607-283-000	H4	45513-341-671	G16	50603-033-000	I6	53141-300-010	G2				
	H11			50615-392-000	I6	53165-342-670	G2	77100-392-000ZA	H16	83000	
44607-300-003	H4	45513-341-771	G16	50616-392-000	I6	53166-342-670	G2	77100-392-000ZB	H16		
44608-283-000	H4		H7	50617-300-000	I6	53175-300-020	G16	77100-392-000ZD	H16	83551-300-000	H14

PART NO. INDEX

Courtesy of
www.hondafour.com



Honda4Fun
www.honda4fun.com

Part No.	Address No.	Part No.	Address No.	Part No.	Address No.	Part No.	Address No.	Part No.	Address No.	Part No.	Address No.
83600-392-000ZA	H14	90010-392-000	I10	90305-300-000	H5	91000		92000-06012	I11	93500-03012-0A	G9
83606-356-000	I10	90012-300-000	C5	90306-268-000	H11			92000-06014	I8	93500-03012-3B	G5
83700-392-000ZA	H14	90012-392-000	I1	90309-315-000	I9	91001-035-000	07	92000-06016	C13	93500-04012-0B	H2
84000		90014-392-010	C13	90309-357-000	H5	91002-300-004	07		05	93500-04012	I11
84101-392-000	I10	90018-300-000	C2		H11	91002-300-008	07		D9	93500-04016-0G	I11
84101-392-610	I10	90033-300-030	D2		I5	91003-235-000	07		H14	93500-04020-0A	I4
84101-392-620	I10	90034-300-030	D2	90313-512-000	H14	91004-300-000	05		J5	93500-04022-0A	C3
84103-392-000	I10	90040-300-000	D2	90321-292-000	G3	91006-300-008	05		J7	93500-04050-4J	J3
84701-392-000ZA	J1	90041-300-000	D2	90325-323-630	I11	91008-300-008	D5	92000-06020	H2	93500-04055-0B	J2
84701-392-600ZA	J3	90042-300-000	D2	90354-268-000	I8	91010-300-008	05		H8	93500-05006-0G	G11
84701-392-610ZA	J4	90046-300-000	D2	90355-369-000	G13	91101-516-000	C13		J5	93500-05008-0A	I15
84701-392-620ZA	J3	90048-300-000	D2	90402-822-000	C11	91201-300-003	04	92000-06025	03	93500-05012-0A	C10
84701-392-670ZA	J1	90049-300-000	C3	90403-300-000	D2	91202-216-003	C11		09	93500-05012-0G	J8
84705-292-000	J4	90052-300-000	C6	90417-028-000	09	91204-286-003	C11		G16	93500-05016-0B	G5
84706-286-000	I6	90053-300-000	C13	90425-300-000	C13	91204-286-005	C11		H14		G7
84706-378-000	J1	90054-300-000	C6	90431-292-000	C12	91205-300-005	05		J7		G9
87000		90055-300-000	C3	90436-392-000	C12	91206-286-005	C14	92000-06028	G16	93500-05016-0G	J8
87121-392-000	H13	90081-246-000	C5	90439-300-000	09	91206-286-013	C14		I7	93500-05020-0A	G11
87122-392-000	H13	90103-371-006	H8	90439-300-000	C2	91211-286-003	C2		I11		J8
87125-041-6LJ	J9	90105-390-000	I5	90451-371-000	06	91215-300-003	C14	92000-08016-0A	G13	93500-05025-0A	C2
87125-300-010	H14	90108-283-000	I7	90452-371-000	06	91252-300-003	H5		I5		G3
87125-392-771	H15	90111-362-000	G13	90453-300-000	C6	91253-286-013	H11	92000-08020-0A	J9	93500-05032-0A	G3
87127-392-000	H14	90114-268-020	G2	90458-292-000	06	91255-300-033	H3	92000-08028-0A	H8	93500-06012	D11
87311-516-000	H13	90114-300-000	G16	90458-506-810	06	91258-300-013	H11		I5	93500-06020-49	I11
87501-392-610	J9	90116-283-010	H3	90481-292-000	C12	91259-333-000	G16	92000-08028-0B	H8	93500-06020	C13
87505-392-670	I8	90119-300-000	H11	90483-034-000	I1	91301-283-005	C11	92000-08032-0A	I5		D1
87505-392-680	I8	90120-377-000	G4	90485-035-000	C3		09	92000-08040-0A	I7		I4
87506-392-670	I10		G7		D2	91301-300-000	C9	92000-08045-0A	I7	93500-06028	C11
87507-392-670	I8	90121-390-000	I8	90501-310-000	H8	91302-001-020	C2	92000-08055-0A	H8		C13
87511-371-670	I10	90122-300-020	H5	90503-283-000	G13	91302-300-000	H5	92000-08060-0A	J9	93500-06032	C13
87511-375-680A	H13	90123-300-000	H3	90512-300-000	H14	91304-028-000	C16	92000-08065-0A	H8		C15
88000		90124-392-000	H8	90512-392-000	I11		02	92000-10025-0B	G9		D1
88100-389-650	G2	90125-329-010	H11	90514-700-000	H14		08	92000-10040-0A	G13	93500-06036	C11
88100-304-621	G2	90128-341-000	H11		I1	91304-286-000	C8		H8		C13
88120-304-621	G2	90128-341-000	H11		I1	91305-323-000	C3	92000-10050-0A	J9		C15
88120-333-610	G2	90141-300-000	H15	90521-292-000	I9	91309-035-000	D2	92000-10055-0A	H8	93500-06040	C2
88120-349-650	G2	90143-392-000	I4	90523-292-000	H11	91309-300-000	C14		I7		C15
89000		90145-300-000	G16	90526-268-000	I8	91310-300-000	C8	92100-08020-0A	C6	93500-06050	C2
89010-341-010	I1	90145-634-670	I1	90543-273-000	H3	91311-044-000	D2	92200-08035-0A	G16		C15
89216-300-000	I1		J5	90544-283-000	H3		09	92200-10080-0A	J9	93500-06056	C15
90000		90152-300-010	J9	90545-292-000	G11	91315-044-000	02	92600-08085-0B	I11		C15
90009-300-010	C5	90155-369-000	G13	90545-300-000	G16	91316-300-003	C16	92700-08050-0E	C3	93500-06063	C2
		90155-392-000	J9		H8	91316-300-005	C16	92700-08050-3B	H3	93500-06080	C2
		90156-300-000	J9	90545-323-700	G11	91318-300-013	C3	92800-12000-0S	H15		I4
		90161-371-003	H8	90555-283-000	G13	91319-300-000	02	92800-12000	C16	93600-06016-0G	I1
		90162-292-000	J1	90581-098-950	G11	91354-702-000	H15			93600-06016	D11
			J3	90581-310-000	J3			93000		93600-06020	09
			J4	90581-342-000	J2					93600-06028	09
			H8	90581-701-000	J5	92000		93000-06028-02	I14	93700-03025-0B	I15
		90163-371-006	H8	90601-300-000	D6	92000-05016-0A	C6		I6	93700-03045-0B	I16
		90165-323-000	G16	90602-371-000	C12	92000-05020-0B	J2	93000-06035-02	I13	93700-03048-0B	J4
		90192-377-671	I13	90753-283-000	H11		J3	93000-08056-0B	G13	93700-05016-0A	H5
		90205-300-000	C5	90809-300-300	D6	92000-06010	H3	93000-08074-0B	G13	93700-06016-02	C11
		90231-200-010	C12	90899-283-000	J2	92000-06012-02	C14	93200-10032-0B	I9	93700-06025-02	I13
		90236-300-000	C3			92000-06012	05	93500-03008-0H	I13		I15
		90282-329-000	G11				I4	93500-03010-0A	D10	93700-06032-02	C10
		90301-385-003	I9						I16		

PART NO. INDEX

Part No.	Address No.	Part No.	Address No.	Part No.	Address No.	Part No.	Address No.	Part No.	Address No.	Part No.	Address No.
93902-24280	G11	94101-06000	I8	94111-10000	G5	95700-06022	C12	99114-246-1050	D11		
94000			I11		G57	95700-06028	C16	99124-076-0400	D11		
			I13		G69	95700-06036	C3				
			J4		H9		D1				
94001-04000-OS	I1		J6		I5	95700-06040	C5				
94001-05000-OS	J8		J8		J10		C16				
94001-05000	I1	94101-06200	C15	94111-12000	J10		D3				
94001-06000	C6	94101-06700	G11	94201-16150	H9	95700-06050	C16				
	O9	94101-08000	H1		I7		D3				
	G3		H3	94201-16220	H1	95700-06056	C15				
	G16		H9	94201-20180	H9		D3				
	I1		H15	94201-25300	I7	95700-06080	D3				
	I4		I5	94201-40300	H11	95700-06090	C3				
	I11		I7	94251-05000	G5	95700-06100	D3				
	I13		J2		G7	95700-10025	I7				
	J4		J3		G9						
	J8	94101-08200	J4	94251-06000	I1	96000					
94001-06070	G11	94101-10000	H9	94301-08140	C3						
94001-06080	H13		I7		C11	96100-60030	C12				
94001-08000-OS	D3	94101-10200	G5		C13	96100-62040	D7				
	H8		G7		C15	96140-63020-10	H5				
	I7		G9	94301-10160	D3	96140-63040-10	H11				
	J6	94102-08000	G13	94301-12180	C8	96140-63050-10	H12				
	J9		I7	94302-04080	D1	96201-80000	I8				
94001-08020-OS	G13		J9	94601-15000	C8	96211-08000	G14				
94001-10000-OS	D3	94102-10000	G14	94608-50000	H3		H9				
	I5		H1								
94002-06000	C5	94102-12000	J9	95000		97000					
	C10	94108-17000	H11								
	G16	94109-12000	C16	95001-35026	D11	97285-69135-10	H12				
94002-08000-OS	H11		H15	95001-35240	D11	97686-69134-10	H12				
94002-08000	C11	94111-03000	D11	95001-55080-40	D11						
94011-08000-OS	H9	94111-04000	H2	95001-55160-40	D11	98000					
94021-06020-OS	G11	94111-05000	G3	95001-55190-40	D11						
94030-08000	H3		G5	95001-55560-40	H13	98069-38710	C3				
94030-10200	I7		G7	95002-02070	D11	98069-58721	C3				
	J9		G9	95002-02100	D11	98200-20700	J6				
94030-12000	H11		G11		H13	98200-21500	J6				
94030-12200	J9		J8	95005-12150-20	D3	98202-23250	H14				
94101-04000	G5	94111-05700	J8	95005-12260-20	I4	98203-23250	H14				
	H2	94111-06000	D9	95011-40000	H9						
	I1		D11	95011-64000	I5						
	I11		H1	95014-22200	G14	99000					
94101-04700	I11		I1	95014-41000	H3	99001-10120	I1				
94101-05000	C6		I4	95014-61100	J8	99001-14170	I1				
	C10		I8	95014-61200	J8	99002-13500	I2				
	G11		I11	95014-61300	J8	99003-10000	I2				
	I1		J4	95014-71701	I7	99003-20000	I2				
94101-05700	G11		J8	95014-72101	I7	99003-30000	I2				
94101-06000	C6	94111-06700	G11	95014-72400	I7	99003-40000	I2				
	C10	94111-06800	H13	95015-83000	I7	99003-50000	I2				
	D3	94111-08000	H1	95020-11300	G14	99005-02000	I2				
	H1		H3	95700-06012	I4	99006-12000	I2				
	I1		H9		J6	99006-26000	I2				
	I4		I5	95700-06016	G11	99007-45000	I2				
	I7		J6	95700-06018	I7	99008-02000	I2				
			J10								

Courtesy of  Honda4Fun
www.honda4fun.com www.honda4fun.com



SERVIZIO RICAMBI AUTOVEICOLI S.p.A.	RIGA	CODICE ARTICOLO
	1	00000-999-1339202
	POSIZIONE	QUANTITA SPEDITA
	N° 0107	1

1339202

A20002597
PRINTED IN JAPAN