

**HONDA**

**CB500K3**

**CB550K3**

**CB550K4**



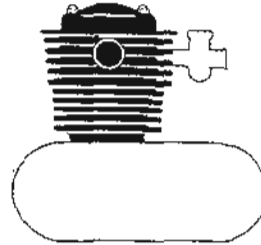
**PARTS LIST**

400 gram

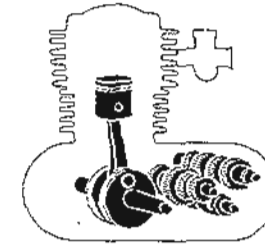
## CONTENTS - ENGINE GROUP

### CONTENTS

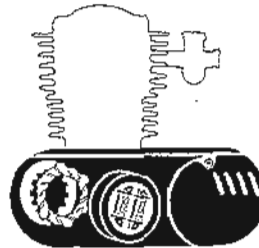
	Page
• Contents-Engine group .....	1
• Contents-Frame group .....	2
• Instruction for use of parts list .....	3
• How to use the flat rate time (F.R.T.) .....	6
• Model photograph .....	8
• Engine group .....	9
• Frame group .....	41
• Part No. index .....	96



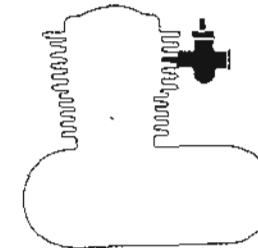
E- 1	Cylinder head cover .....	9
E- 2	Cylinder head .....	11
E- 3	Cylinder .....	13
E- 4	Camshaft - Valve .....	14
E- 5	Cam chain - Tensioner .....	15



E-13	Crankshaft - Piston .....	24
E-14	Primary shaft - Chain .....	27
E-15	Transmission - Kick spindle .....	29
E-16	Shift drum - Shift fork - Shift spindle .....	31

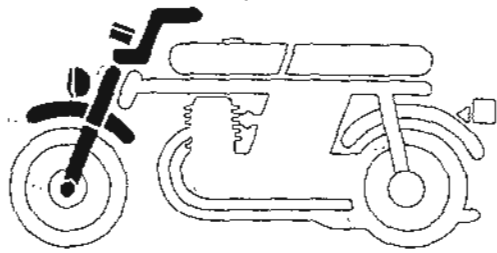


E- 6	Contact breaker - Advancer .....	16
E- 7	Right crankcase cover .....	17
E- 8	Clutch .....	18
E- 9	Generator .....	19
E-10	Left crankcase cover - Starting motor - Oil pump .....	20
E-11	Oil filter - Oil pan .....	22
E-12	Crankcase .....	23

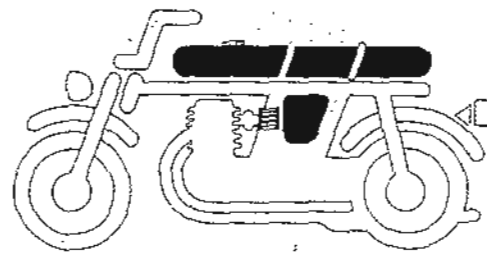


E-17	Carburetor (CB500K3, CB550K3) .....	33
E-17-1	Carburetor (Component Parts) (CB500K3, CB550K3) ...	36
E-18	Carburetor (CB550K4) .....	38
E-18-1	Carburetor (Component Parts) (CB550K4) .....	40

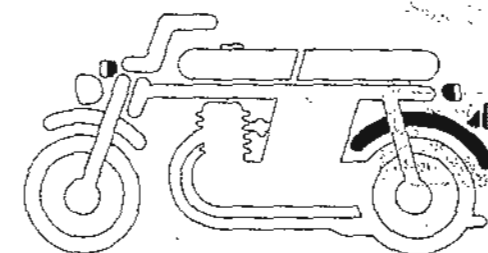
# CONTENTS - FRAME GROUP



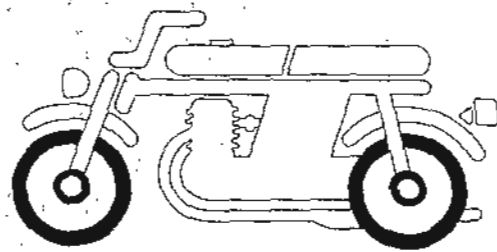
F- 1	Headlight (A, CM)	41
F- 1-1	Headlight (DK, DM, U)	43
F- 1-2	Headlight (E, ED, F, G)	44
F- 2	Speedometer - Tachometer - Pilot lamp - Key	46
F- 3	Handle lever - Switch - Cable	49
F- 4	Handle pipe - Top bridge - Stem	51
F- 5	Master cylinder - Brake hose	53
F- 6	Front fender	55
F- 7	Front fork	56



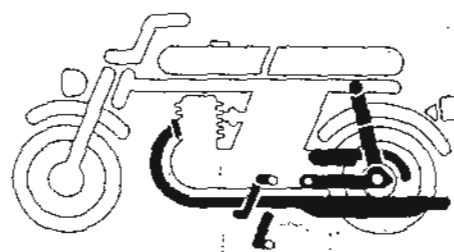
F-12	Fuel tank	64
F-13	Seat - Tool	67
F-14	Right side cover - Battery	69
F-15	Left side cover - Electric plate	70
F-16	Air cleaner	72



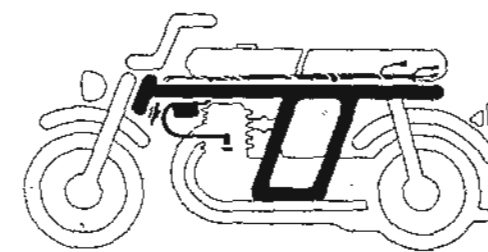
F-22	Rear fender	86
F-23	Winker (A, CM)	87
F-23-1	Winker (DK, DM, U)	88
F-23-2	Winker (E, ED, F, G)	89
F-24	Taillight (A, CM, DK, DM, U)	90
F-24-1	Taillight (E, ED, F, G)	91



F- 8	Front brake caliper	58
F- 9	Front wheel - Disk	59
F-10	Rear brake panel	61
F-11	Rear wheel	62



F-17	Exhaust muffer	74
F-18	Kick arm - Pedal	75
F-19	Stand - Step	77
F-20	Rear fork - Chain	80
F-21	Rear cushion	82
	(CB500K3 ~1003557)	
	(CB550K3 ~2020497)	
F-21-1	Rear cushion	84
	(CB500K3 1003569~)	
	(CB550K3 2020498~)	
	CB550K4	



F-25	Wire harness - Horn - Ignition coil	92
F-26	Frame body	94



#### 4. Dimensions

All dimensions are given in millimeters (mm) except in the case of steel balls, tires and tire tubes.

Parts	Example	Interpretation
Bolt (Screw)	6×12	6mm diameter, 12mm length
Pin	8×14	8mm diameter, 14mm length
O-Ring	9.5×1.6	9.5mm diameter, 1.6mm thickness
Oil seal	14×24×5	14mm inside diameter, 24mm outside diameter, 5mm thickness
Tube	5×130	5mm inside diameter, 130mm length

#### 5. Supersedence of parts

Part numbers given under the part name in the "Description" column indicate that the part number has been superseded by that part number. HONDA may make such supersedence without notice.

#### 6. Assemblies

Sections framed with broken lines in the exploded view drawings are available as complete assemblies. (Their individual parts can also be obtained.)

#### 7. Required quantity

The number given in the "Reqd. No." column indicates the quantity of parts used in the section described in that block.

Parts with quantities in ( ) represent optional parts.

Part whose required number is "N", is part whose required number can be selected at need.

#### 8. Part modifications-applicable serial numbers

In cases where a part has been modified, the serial number of the first vehicle (or frame, engine, carburetor) bearing the modification is listed in the "Serial No." column.



#### 9. Models, area codes and initial serial numbers

Models, area codes and initial serial Nos. given in this parts list can be identified as follows.

Parts with area codes are exclusive for models destined for countries designated.

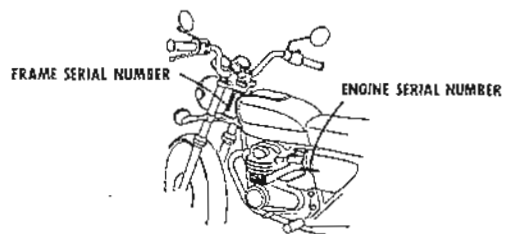
If no area codes are listed, parts are for common use.

Model	Area code	Type	Applicable engine serial No.	Applicable frame serial No.	Applicable carburetor identification No.
CB500K3	ED	European direct sales	CB500E-2200008~2204080	CB500K-1000008~1004077	PD46B <u>B</u> ~ PD46B <u>D</u>
	A	U.S.A.	CB550E-2000007~2029755	CB550K-2000007~2015308	PD46A <u>A</u> ~ PD46A <u>D</u>
CB550K3	CM	Canada	CB550E-2009403~2029067	CB550K-2009389~2015464	
	DK	General export	CB550E-2011768~2029755	CB550K-2011723~2028884	
	DM	General export	CB550E-2017672~2029755	CB550K-2017515~2028249	
	E	England	CB550E-2011775~2029067	CB550K-2011716~2027768	
	ED	European direct sales	CB550E-2011770~2029067	CB550K-2011722~2028304	
	F	France	CB550E-2011853~2029067	CB550K-2011720~2023104	
	G	Germany	CB550E-2011772~2029067	CB550K-2011718~2026474	
	U	Australia	CB550E-2011771~2029755	CB550K-2011725~2028259	
CB550K4	A	U.S.A.	CB550E-2100001~2122090	CB550K-2100001~2122082	
	CM	Canada	CB550E-2100681~2123002	CB550K-2100675~2122992	

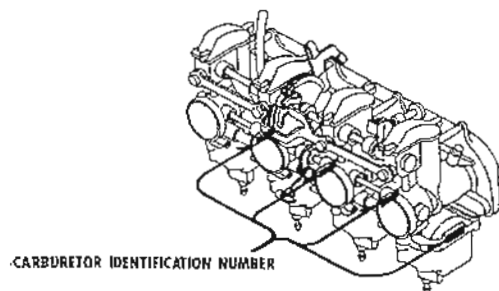
\*Of carburetor identification numbers, only the portions underlined in the example below are used for registration.

PD46 A A KC 7

10. Location of stamped serial number



8404-0A



8404-0B

11. This parts list is compiled as of July 1, 1978 and published as the final edition.

Courtesy of  Honda Inc.  
www.hondakur.com www.hondainz.com

Jun 20, 1976  
HONDA MOTOR CO., LTD.

## HOW TO USE THE FLAT RATE TIME (F.R.T.)

This F.R.T. (Flat Rate Time) is used to determine the standard labor time allowed for replacement of parts covered by the warranty during the period the warranty is in effect. The F.R.T. for those parts which are not listed herein should be determined from the operation closely related to the replacement of that part.

### 1. The F.R.T. is based on the following servicing conditions

- A liberal allowance is added to the net servicing time.
- Standard times specified are based on the condition that the necessary servicing tools listed in the service manual (motorcycle) which describes the HONDA service policy are available close at hand and the work performed by a mechanic with normal skill.
- Time required for inspection and operational test following the servicing is included in the F.R.T.

### 2. Method of computing

The job times are listed in tenth of an hour to simplify computation.

- (Example) 0.3 = 18 minutes  
5.6 = 5 hours and 36 minutes

CONVERSION CHART			
Hours	Minutes	Hours	Minutes
0.1	6	0.6	36
0.2	12	0.7	42
0.3	18	0.8	48
0.4	24	0.9	54
0.5	30	1.0	60



### 3. Computing the F.R.T.

When several jobs are performed at the same time, make the calculation in the following manner.

#### a. Jobs of non duplicated nature

The F.R.T. for the job is obtained by totalling the F.R.T. for each part replaced.

(Example) Replacement of cylinder and clutch spring.

Service item	F.R.T.
Cylinder	2.7
Clutch spring	0.7

The F.R.T. for the job is :  $2.7+0.7=3.4$

#### b. Jobs of duplicated nature

Take the F.R.T. for the last part to be replaced.

(Example) Replacement of piston and cylinder head gasket.

Service item	F.R.T.
Cylinder head gasket	2.1
Piston	2.9

The F.R.T. for the job is : 2.9

#### c. Jobs of partially related nature

Total up the F.R.T. for all of the parts replaced and then subtract the F.R.T. for the duplicated operation.

(Example) Replacement of gear shift drum and crankshaft assembly.

Service item	F.R.T.
Gear shift drum	☆5.2
Crankshaft	☆7.5
Crankcase disassembly	☆5.0

The F.R.T. for the job is :  $(5.2+7.5)-5.0=7.7$

Crankcase disassembly is the duplicated operations.

- The F.R.T. shown with (☆) includes engine removal and installation.

#### 4. Operations other than replacing parts

##### a. Removal and installation

No.	Service item	F.R.T.
1	Engine	2.7
2	Cylinder head	2.1
3	Carburetor	0.8

##### b. Adjustment, measurement and cleaning

###### Engine

No.	Service item	F.R.T.
1	Point-adjustment (including ignition timing adjustment)	0.4
2	Ignition timing-adjustment	0.3
3	Spark plug-adjustment and cleaning	0.5
4	Tappet adjustment	0.7
5	Carburetor idle-adjustment	0.2
6	Engine oil-inspection (excluding oil change)	0.1
7	Clutch-adjustment	0.3
8	Cleaner element-cleaning	0.3
9	Compression-pressure measurement	0.4
10	Battery-checking of electrolyte level and gravity	0.2
11	Carburetor-float level measurement	1.1
12	Oil filter cleaning	0.3
13	Throttle operation-adjustment	0.1
14	Carburetor synchronization-adjustment	0.6

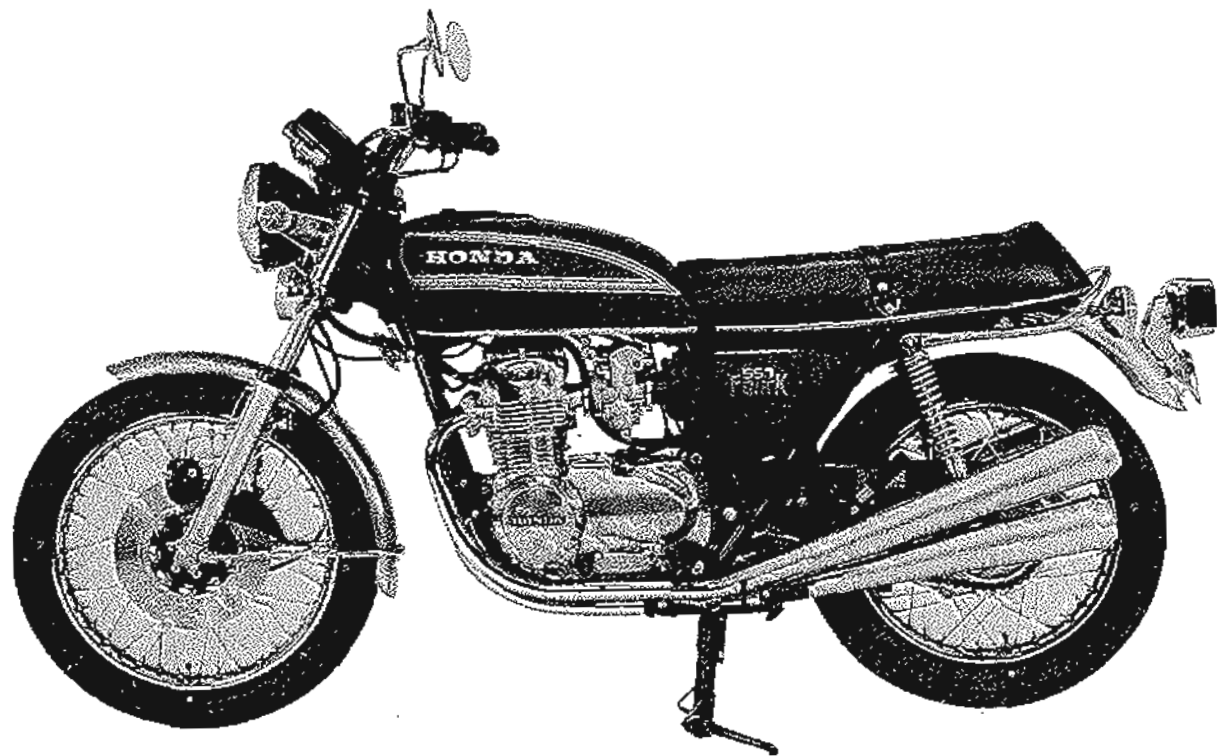
##### Frame

No.	Service item	F.R.T.
1	Front brake-air bleeding	0.1
2	Rear brake-adjustment	0.1
3	Brake-operation test	0.1
4	Headlight-aimings	0.2
5	Drive chain (includes tens on adjustment however, does not include sprocket)	0.1
6	Front wheel balance	0.8
7	Rear wheel balance	0.9

##### c. Overhaul

No.	Service item	F.R.T.
1	Carburetor	3.2



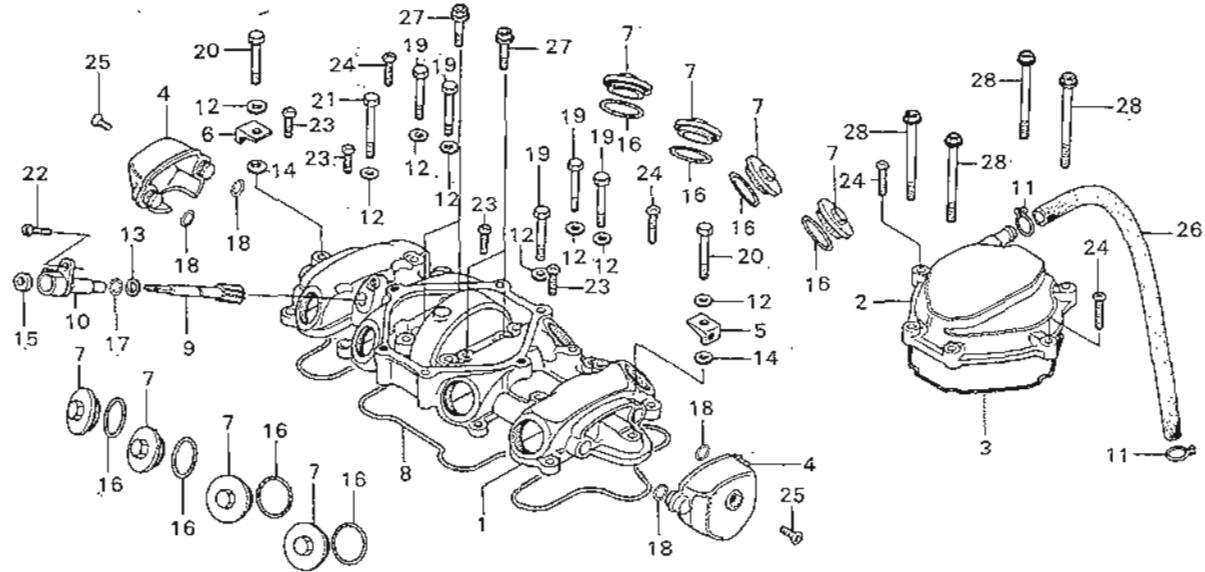


CB550K3-A

Courtesy of  Honda4Fun  
[www.hondafun.com](http://www.hondafun.com) [www.honda4fun.com](http://www.honda4fun.com)

# E-1

## Cylinder head cover



Courtesy of  Honda4Fun  
[www.hondakou.com](http://www.hondakou.com) [www.honda4fun.com](http://www.honda4fun.com)

B404-1

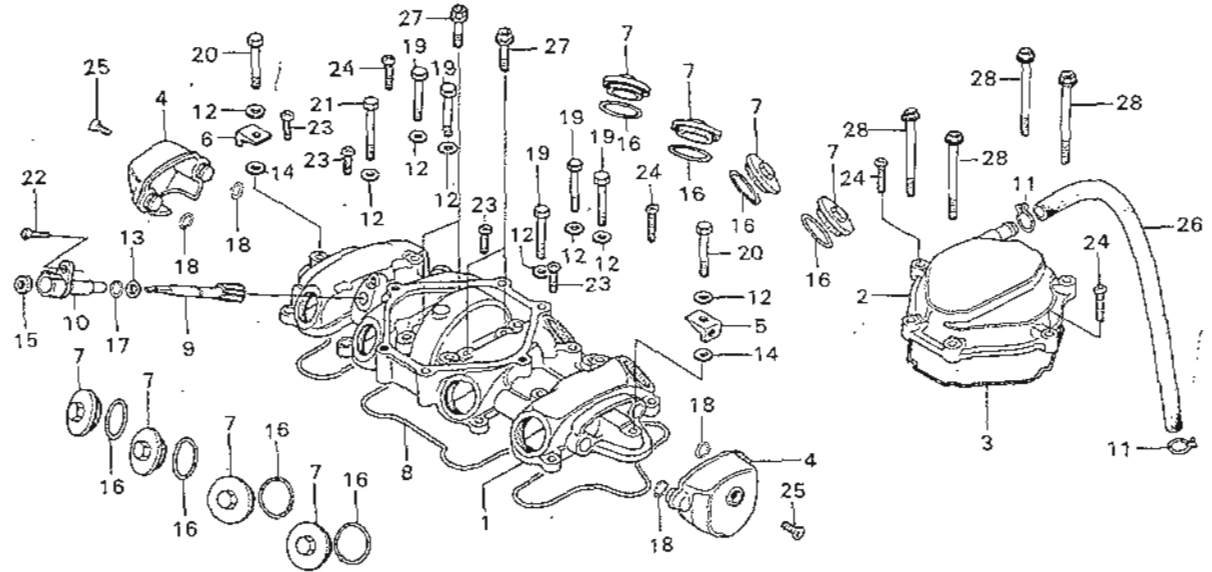
ENGINE GROUP

Service item	F.R.T.	Ref. No.	Part No.	Description	Reqd. No.			Serial No.	Area code
					CB500	CB550	K3 K3 K4		
CYLINDER HEAD COVER	1.5	1	12310-323-010	COVER, CYLINDER HEAD	1	1	1		
TACHOMETER GEAR and its related parts	0.8	2	12320-374-000	COVER COMP., BREATHER	1	1	1		
CYLINDER HEAD COVER GASKET	0.6	3	12329-323-000	GASKET, BREATHER COVER	1	1	1		
BREATHER COVER	0.3	4	12330-323-000	COVER, CYLINDER HEAD SIDE	2	2	2		
CYLINDER HEAD SIDE COVER and its related parts	0.1	5	12335-323-000	PLATE A, CYLINDER HEAD SIDE COVER SETTING	1	1	1		
* One or all		6	12336-323-000	PLATE B, CYLINDER HEAD SIDE COVER SETTING	1	1	1		
		7	12361-300-000	CAP, TAPPET ADJUSTING HOLE	8	8	8		
		8	12391-323-000	GASKET, CYLINDER HEAD COVER	1	1	1		
		9	12431-323-000	GEAR, TACHOMETER	1	1	1		
		10	12451-323-000	CAP, TACHOMETER	1	1	1		
		11	15772-551-000	CLIP, TUBE	2	2	2		
		12	90425-300-000	WASHER, 11MM	8	8	8		
		13	90451-292-000	WASHER, THRUST, 7MM	1	1	1		
		14	90485-001-000	WASHER, 6.5MM	2	2	2		
		15	91211-286-003	OIL SEAL, 4.8X14.5X4	1	1	1		
		16	91302-001-020	O-RING, 30.8MM	8	8	8		
		17	91309-035-000	O-RING, 11X2.5	1	1	1		
		18	91319-323-000	O-RING, 6X3	4	4	4		
		19	92000-06040	BDLT, HEX., 6X40	5	5	5		
		20	92000-06045	BOLT, HEX., 6X45	2	2	2		
		21	92000-06050	BDLT, HEX., 6X50	1	1	1		
		22	93500-06016	SCREW, PAN, 6X16	1	1	1		
		23	93500-06020	SCREW, PAN, 6X20	4	4	4		
		24	93500-06025	SCREW, PAN, 6X25	4	4	4		

1978.07.01

# E-1

## Cylinder head cover



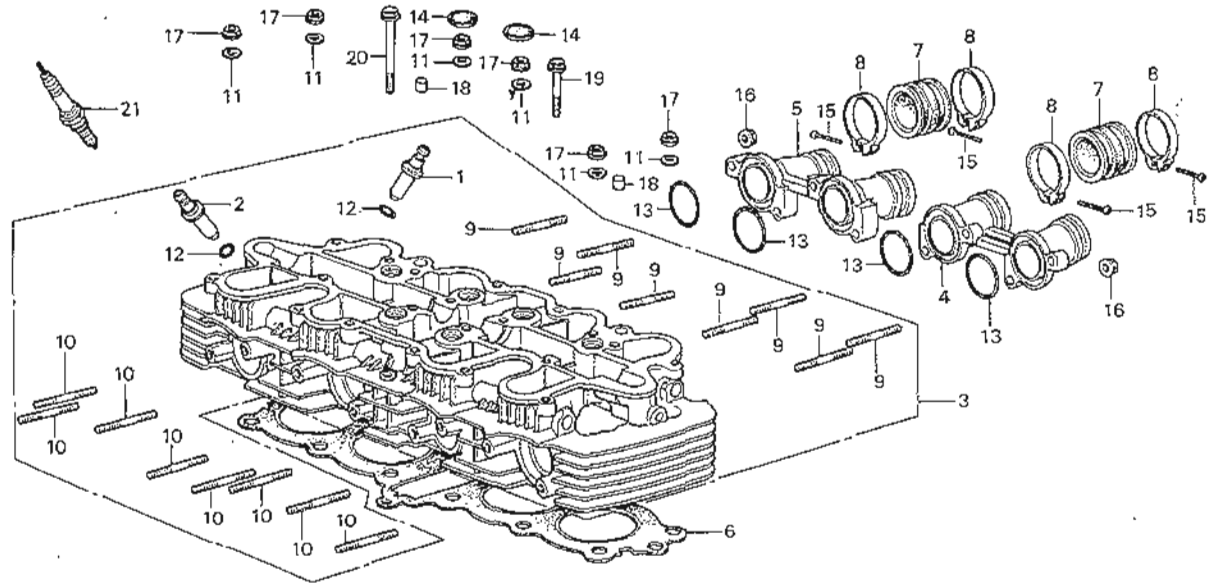
B404-1

Service item	F.R.T.	Ref. No.	Part No.	Description	Reqd. No.			Serial No.	Area code
					CB500	CB550	K3 K3 K4		
		25	93700-06010-02	SCREW, OVAL, 6X10	2	2	2		
		26	95005-12420-20	TUBE, 12X420	1	1	1		
		27	95700-06032-00	BDLT, FLANGE, 6X32	4	4	4		
		28	95700-06065-00	BOLT, FLANGE, 6X65	4	4	4		

1578.07-01

# E-2

## Cylinder head



Courtesy of  Honda4Fun  
www.honda4fun.com www.honda4fun.com

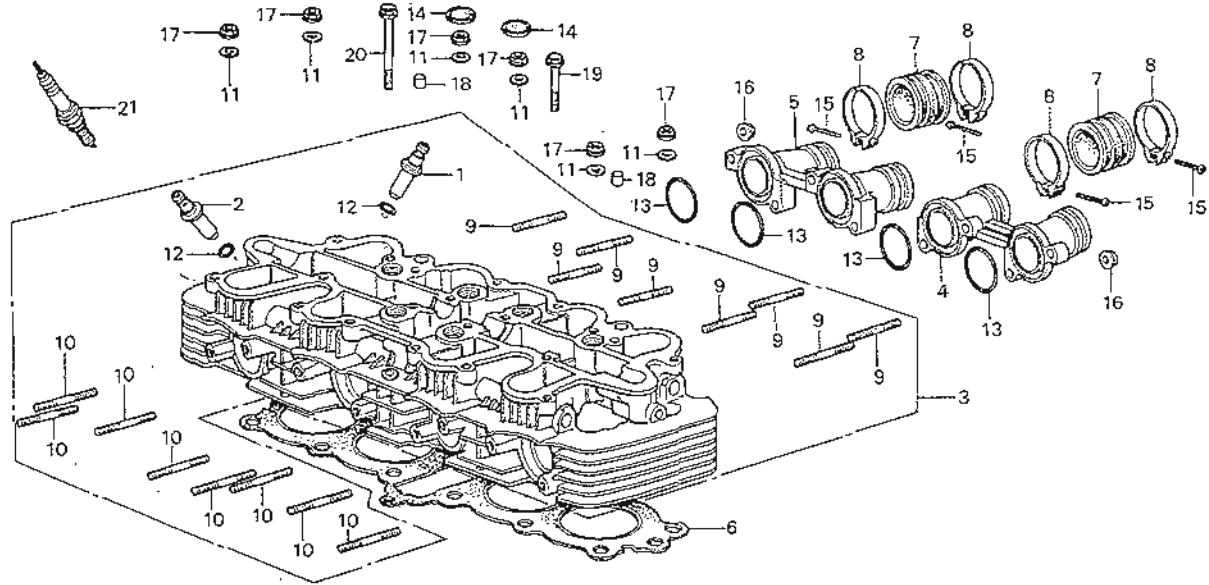
B504-2

Service item	F.R.T.	Ref. No.	Part No.	Description	Reqd. No.			Serial No.	Area code
					CB500	CB550	K3 K4		
CYLINDER HEAD COMP.	4.2	1	12021-323-300	GUIDE, IN. VALVE	4	4	4		
* Valve rapping included.		2	12023-323-300	GUIDE, EX. VALVE	4	4	4		
VALVE GUIDE	2.7	3	12200-374-000	HEAD COMP., CYLINDER	1	1	1		
* Reaming included add 0,2		4	12241-404-000	MANIFOLD A, IN.	1	1	1		
Valve seat refacing excluded.		5	12242-404-000	MANIFOLD B, IN.	1	1	1		
If it refaced and more 0,2		6	12251-323-005	GASKET, CYLINDER HEAD	1				
CYLINDER HEAD GASKET	2.1		12251-374-005	GASKET, CYLINDER HEAD		1	1		
6x32 STUD BOLT	1.3	7	16211-404-000	INSULATOR, CARBURETOR	4	4	4		
* Add 0.1		8	17255-230-000	BAND, CLEANER CONNECTING TUBE	8	8	8		
IN. MANIFOLD	1.2	9	90043-323-300	BOLT, STUD, 6X32	8	8	8		
* One or all		10	90044-323-300	BOLT, STUD, 6X40	8	8	8		
6x40 STUD BOLT	0.4	11	90485-035-000	WASHER, 14MM	12	12	12		
* Add 0.1		12	91301-200-000	O-RING, 10X1-6	8	8	8		
SPARK PLUG	0.1	13	91302-001-020	O-RING, 30.8MM	4	4	4		
		14	91318-300-013	RUBBER, SEALING	6	6	6		
		15	93500-05020-0A	SCREW, PAN, 5X20	8	8	8		
		16	94050-06000	NUT, FLANGE, 6MM	8	8	8		
		17	94050-08000	NUT, FLANGE, 8MM	12	12	12		
		18	94302-10160	PIN B, DOWEL, 10X16	2	2	2		
		19	95700-06032-00	BOLT, FLANGE, 6X32	1	1	1		
		20	95700-06065-00	BOLT, FLANGE, 6X65	1	1	1		
		21	98069-57711	PLUG, SPARK (D-7ES NGK)	4	4	4	2020397	A,DK,DM,U
			98069-57716	PLUG, SPARK (DR7ES NGK)	4	4	4		CM,E,ED,F,G
			98069-57723	PLUG, SPARK (X22ES ND)	4	4	4	2020397	A,DK,DM,U
			98069-57726	PLUG, SPARK (X22ESR-U ND)	4	4	4		CM,E,ED,F,G

1978-07.01

# E-2

## Cylinder head

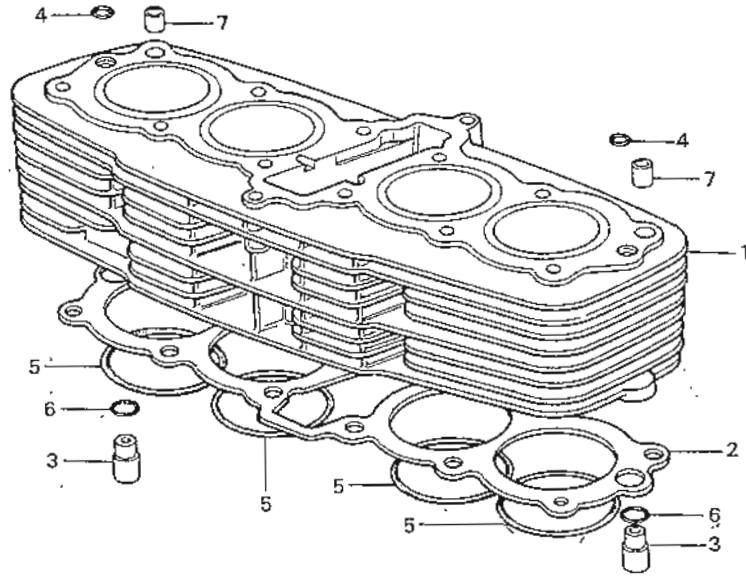


8404-2

Service item	F.R.T.	Ref. No.	Part No.	Description	Reqd. No. CB500 CB550 K3 K3 K4	Serial No.	Area code
			98069-57717	PLUG, SPARK (D7EA NGK)	4	2020398	A,DK,DM,U A
			98069-57727	PLUG, SPARK (X22ES-U ND)	4	2020398	A,DK,DM,U A

# E-3

## Cylinder

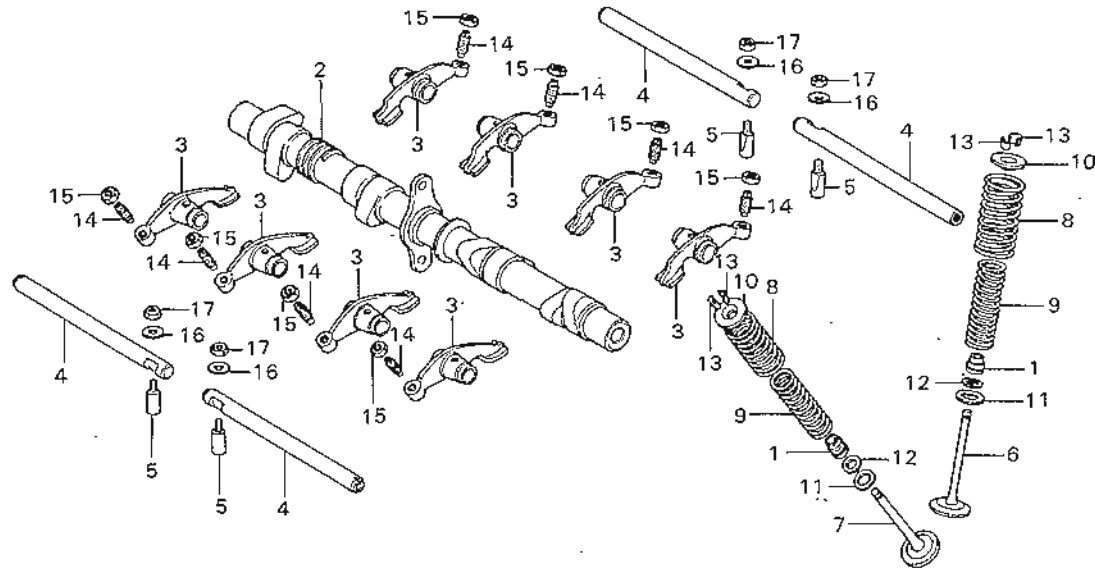


6374-21

Service item	F.R.T.	Ref. No.	Part No	Description	Reqd. No.		Serial No.	Area code
					CB500-CB650	K3-K3-K4		
CYLINDER COMP./GASKET • Boring honing excluded.	2.7	1	12100-374-000	CYLINDER COMP.	1	1	2022199 2112951	
			12100-404-630	CYLINDER COMP.	1	1		
			12100-374-010	CYLINDER COMP.	1	1	2022200 2112952	
		2	12191-374-000	GASKET, CYLINDER	1	1	1	
		3	12230-323-000	VALVE, OIL CONTRDL	2	2	2	
		4	91301-323-000	D-RING, 5X2.4	2	2	2	
		5	91304-286-000	D-RING, 61.8X2.0	4	4	4	
		6	91309-035-000	D-RING, 11X2.5	2	2	2	
		7	94301-12180	PIN A, DOWEL, 12X18	2	2	2	

# E-4

## Camshaft • Valve



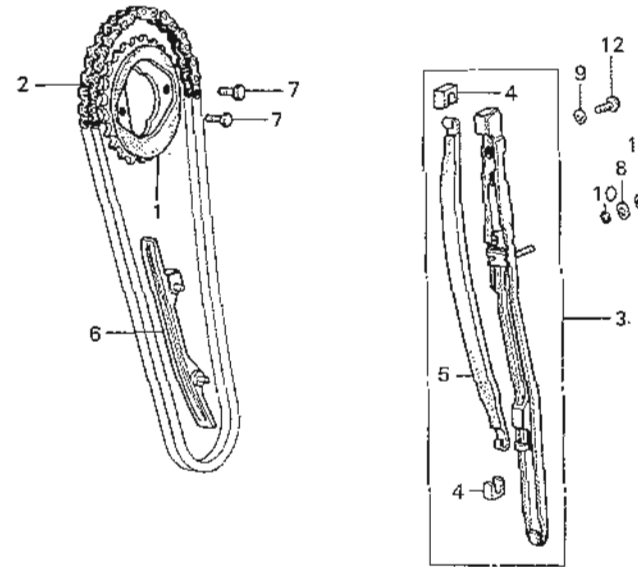
B404-3

Service item	F.R.T.	Ref. No.	Part No.	Description	Reqd. No.			Serial No.	Area code
					CB500 K3	CB550 K3	K4		
VALVE	2.5	1	12209-333-005	SEAL, VALVE STEM (NIPPON)	8	8	8		
• Add 0.2 Reaming included.		2	14101-323-000	CAMSHAFT	1	1	1		
VALVE SPRING and its related parts	2.4	3	14431-324-000	ARM, VALVE ROCKER	8	8	8		
• Add 0.1		4	14451-323-020	SHAFT, ROCKER ARM	4	4	4		
CAMSHAFT	1.7	5	14456-390-000	PIN, VALVE ROCKER ARM SHAFT COTTER	4	4	4		
VALVE ROCKER ARM and its related parts	1.0	6	14711-107-020	VALVE, IN.	4	4	4		
• One motorcycle 1,4		7	14721-323-005	VALVE, EX. (MITSUBISHI)	4	4	4		
		8	14751-107-010	SPRING, VALVE (OUTER)	8	8	8		
		9	14761-107-010	SPRING, VALVE (INNER)	8	8	8		
		10	14771-107-020	RETAINER, VALVE SPRING	8	8	8		
		11	14775-107-000	SEAT, VALVE SPRING OUTER	8	8	8		
		12	14776-107-010	SEAT, VALVE SPRING INNER	8	8	8		
		13	14781-107-020	COTTER, VALVE	16	16	16		
		14	90012-300-000	SCREW, TAPPET ADJUSTING	8	8	8		
		15	90206-250-000	NUT, TAPPET ADJUSTING	8	8	8		
		16	90474-704-000	WASHER, 6X17	4	4	4		
		17	94001-06000	NUT, HEX., 6MM	4	4	4		

1978.07.01

# E-5

## Cam chain • Tensioner



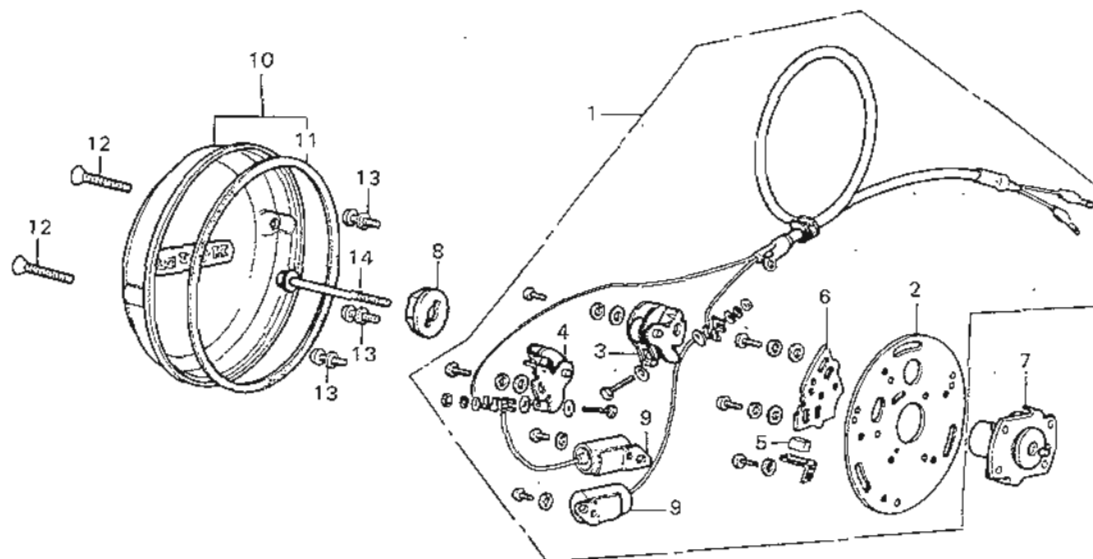
9374-23

Service item	F.R.T.	Ref. No.	Part No.	Description	Reqd. No.			Serial No.	Area code
					CB500	CB550	K3 K3 K4		
CAM CHAIN	2.6	1	14321-323-000	SPROCKET, CAM	1	1	1		
CAM CHAIN TENSIONER COMP./ CAM CHAIN GUIDE	2.7	2	14401-323-003	CHAIN, CAM	1	1	1		
		3	14500-323-000	TENSIONER COMP., CAM CHAIN	1	1	1		
CAM SPROCKET	1.7	4	14501-323-000	DAMPER, CAM CHAIN TENSIONER	2	2	2		
		5	14520-323-000	SLIPPER, CAM CHAIN TENSIONER	1	1	1		
		6	14611-323-000	GUIDE, CAM CHAIN	1	1	1		
		7	90081-246-000	BOLT, KNOCK, 7X12	2	2	2		
		8	90442-035-000	WASHER, SEALING, 6MM	1	1	1		
		9	90481-250-000	WASHER A, 6.5MM	1	1	1		
		10	91305-323-000	O-RING, 5.8X1.9	1	1	1		
		11	94001-06000	NUT, HEX., 6MM	1	1	1		
		12	95700-06022-00	BOLT, FLANGE, 6X22	1	1	1		



# E-6

## Contact breaker • Advancer



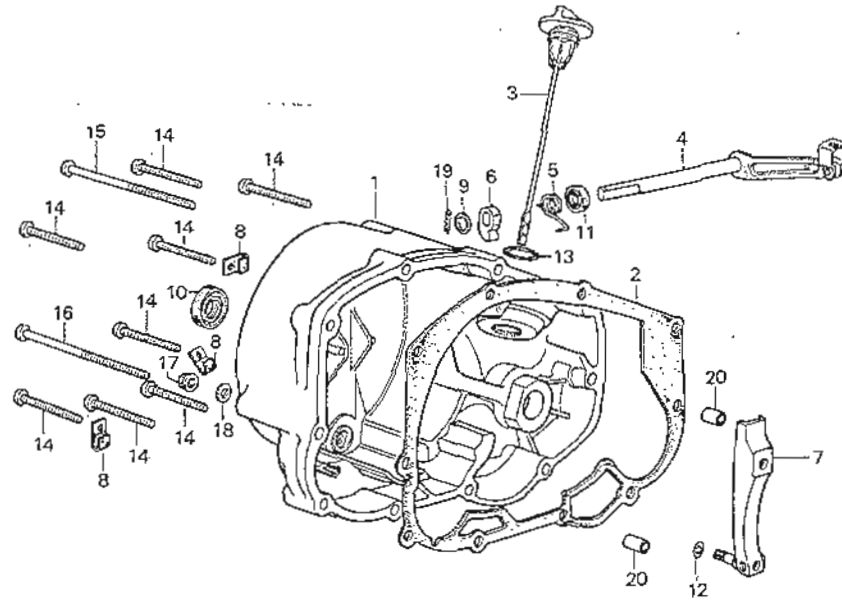
B390-5A

Service item	F.R.T.	Ref. No.	Part No.	Description	Reqd. No.			Serial No.	Area code
					CB500	CB550	K3 K3 K4		
CONTACT BREAKER BASE PLATE	0.9	1	30200-323-005	BREAKER ASSY., CONTACT (HITACHI)	1	1	1		
CONTACT BREAKER and its related parts * Add 0.1	0.6		30200-323-154	BREAKER ASSY., CONTACT (TOYO)	1	1	1		
CONTACT BREAKER ASSY./ SPARK ADVANCER	0.5	2	30201-300-015	PLATE, CONTACT BREAKER BASE (HITACHI)	1	1	1		
CONDENSER	0.3		30201-300-154	PLATE, CONTACT BREAKER BASE (TOYO)	1	1	1		
POINT COVER/OIL FELT	0.1	3	30203-300-005	BREAKER, CONTACT (1&4 HITACHI)	1	1	1		
			30203-300-154	BREAKER, CONTACT (1&4 TOYO)	1	1	1		
		4	30204-300-005	BREAKER, CONTACT (2&3 HITACHI)	1	1	1		
			30204-300-154	BREAKER, CONTACT (2&3 TOYO)	1	1	1		
		5	30205-003-005	FELT, OIL (HITACHI)	1	1	1		
			30205-300-154	FELT, OIL (TOYO)	1	1	1		
		6	30215-300-005	PLATE, BREAKER SHIFT (HITACHI)	1	1	1		
			30215-300-154	PLATE, BREAKER SHIFT (TOYO)	1	1	1		
		7	30220-323-005	ADVANCER ASSY., SPARK (HITACHI)	1	1	1		
			30220-323-154	ADVANCER ASSY., SPARK (TOYO)	1	1	1		
		8	30233-300-000	WASHER, SPECIAL	1	1	1		
		9	30250-300-005	CONDENSER COMP. (HITACHI)	2	2	2		
			30250-300-154	CONDENSER COMP. (TOYO)	2	2	2		
		10	30370-323-000	COVER COMP., POINT	1	1	1		
		11	30372-300-300	GASKET, POINT COVER	1	1	1		
		12	93700-06032	SCREW, OVAL, 6X32	2	2	2		
		13	93891-05012-00	SCREW-WASHER, 5X12	3	3	3		
		14	95700-06055-00	BOLT, FLANGE, 6X55	1	1	1		

1978.07.01

# E-7

## Right crankcase cover



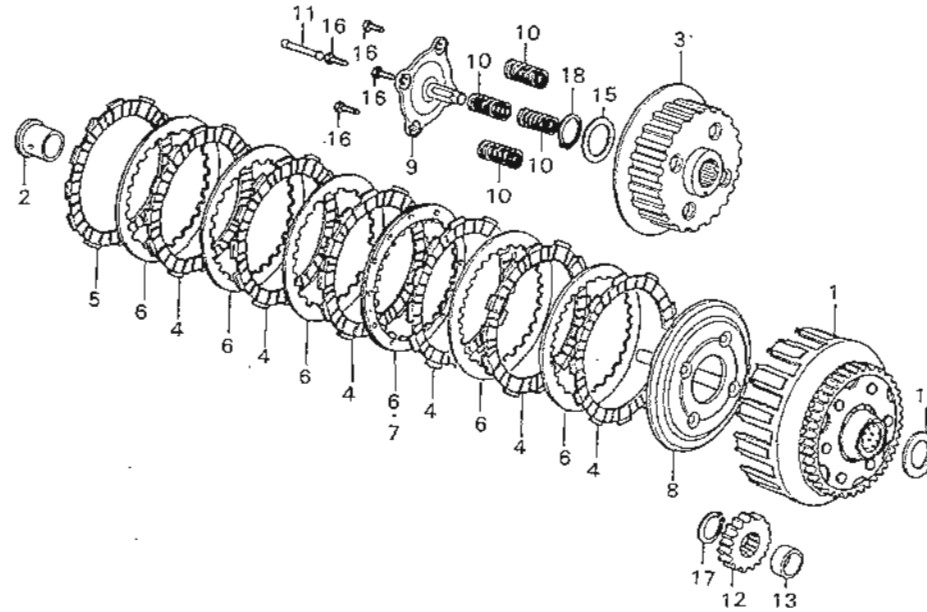
B39D-6

Service item	F.R.T.	Ref. No.	Part No.	Description	Reqd. No.			Serial No.	Area code
					CB500	CB550	K3 K4		
R. CRANKCASE COVER/CLUTCH LEVER and its related parts	0.7	1	11331-390-000	COVER, R. CRANKCASE	1	1	1		
		2	11394-390-000	PACKING, R. CRANKCASE	1	1	1		
R. CRANKCASE PACKING/ 18 x 29 x 7 OIL SEAL	0.6	3	15650-323-000	GAUGE, OIL LEVEL	1	1	1		
		4	22710-374-010	LEVER COMP., CLUTCH	1	1	1		
		5	22815-374-000	SPRING, CLUTCH LEVER	1	1	1		
		6	22821-116-000	CAM, CLUTCH LIFTER	1	1	1		
		7	22831-333-020	LEVER COMP., CLUTCH ADJUSTING	1	1	1		
		8	32111-323-000	CLAMPER, CORD	3	3	3		
		9	90471-333-000	WASHER, 10MM	1	1	1		
		10	91204-286-003	OIL SEAL, 18X29X7	1	1	1		
			91204-286-005	OIL SEAL, 18X29X7	1	1	1		
		11	91206-333-003	OIL SEAL, 10X16X4.5	1	1	1		
		12	91301-704-000	O-RING, 6MM	1	1	1		
		13	91354-702-000	O-RING, 23MM	1	1	1		
		14	93500-06032	SCREW, PAN, 6X32	8	8	8		
		15	93500-06075	SCREW, PAN, 6X75	1	1	1		
		16	93500-06080	SCREW, PAN, 6X80	1	1	1		
		17	94001-06000	NUT, HEX., 6MM	1			2203574 2019349 2103948	
			94050-06000	NUT, FLANGE, 6MM	1			2203575 2019350 2103949	
		18	94101-06000	WASHER, PLAIN, 6MM	1			2203574 2019349 2103948	
		19	94201-20150	PIN, SPLIT, 2.0X15	1	1	1		
		20	94301-08140	PTN A, DOWEL, 8X14	2	2	2		

1978.07.01

# E-8

## Clutch



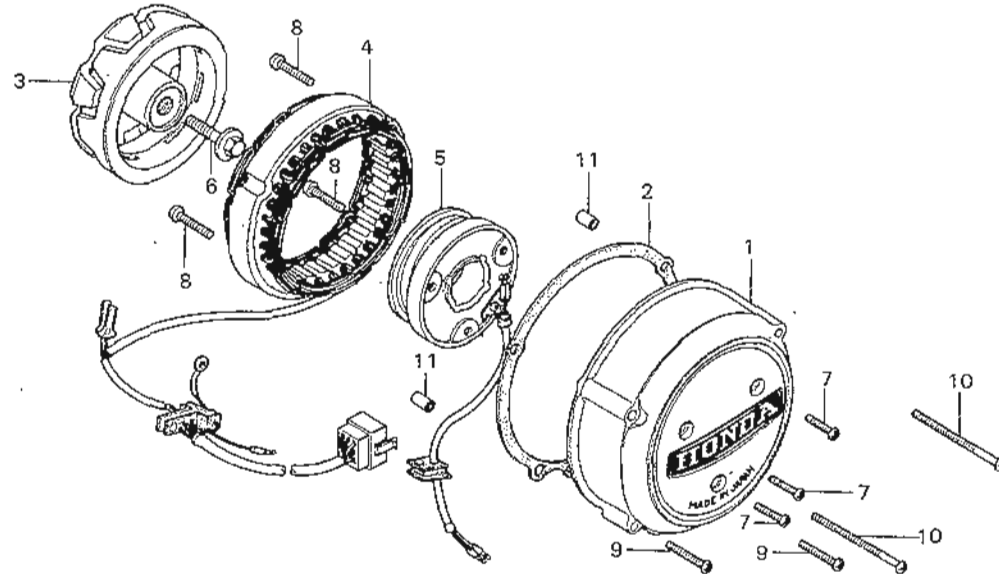
B390-7

Service item	F.R.T.	Ref. No.	Part No.	Description	Reqd. No.			Serial No.	Area code
					CB500	CB550	K3 K3 K4		
CLUTCH OUTER/CLUTCH CENTER and their related parts	0.9	1	22100-390-000	OUTER COMP., CLUTCH (63T)	1	1	1		
		2	22116-390-300	COLLAR, 25MM	1	1	1		
PRIMARY DRIVE GEAR	0.8	3	22120-390-000	CENTER COMP., CLUTCH	1	1	1		
CLUTCH LIFTER PLATE/SPRING	0.7	4	22201-286-010	DISK, CLUTCH FRICTION	6	6	6		
CLUTCH LIFTER ROD	0.6	5	22202-390-000	DISK B, CLUTCH FRICTION	1	1	1		
		6	22321-374-000	PLATE, CLUTCH		6			2002226
			22321-329-000	PLATE B, CLUTCH	5		5		
		7	22322-390-000	PLATE COMP. B, CLUTCH	1		1	2002227	
		8	22350-390-000	PLATE, CLUTCH PRESSURE	1	1	1	2002227	
		9	22360-390-000	PLATE COMP., CLUTCH LIFTER	1	1	1		
		10	22401-374-000	SPRING, CLUTCH	4	4	4		
		11	22850-333-000	ROD, CLUTCH LIFTER	1	1	1		
		12	23103-374-000	GEAR, PRIMARY DRIVE (24T)	1	1	1		
		13	23105-323-000	COLLAR, 22X13.6	1	1	1		
		14	90455-374-000	WASHER, THRUST, 25MM	1	1	1		
		15	90458-323-010	SPACER, 0.1MM	N	N	N		
			90459-323-010	SPACER, 0.3MM	N	N	N		
			90460-323-010	SPACER, 0.5MM	N	N	N		
		16	92020-06022	BOLT, HEX., 6X22	4	4	4		
		17	94510-20000	CIR CLIP, EXTERNAL, 20	1	1	1		
		18	94510-25150	CIR CLIP, EXTERNAL, 25	1	1	1		

1578.07.01

# E-9

## Generator

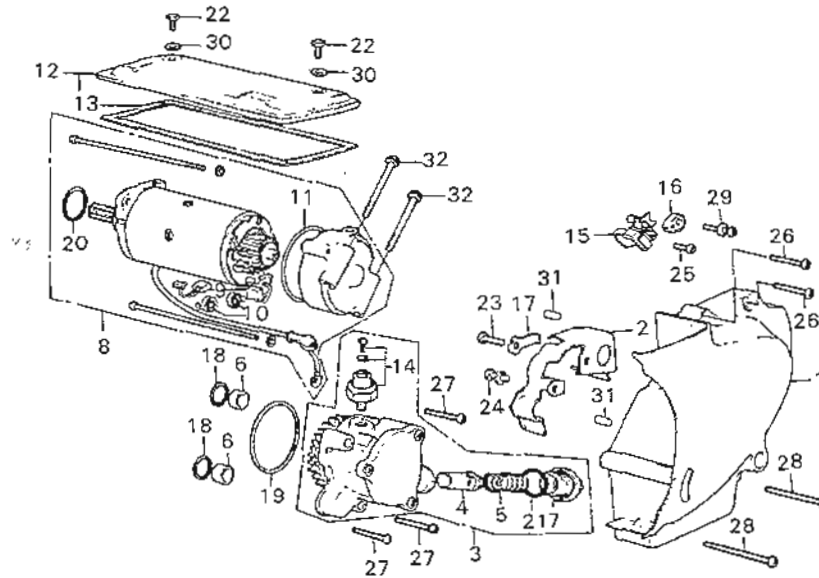


B404-4

Service item	F.R.T.	Ref. No.	Part No.	Description	Reqd. No.			Serial No.	Area code
					CB500 K3	CB550 K3	K4		
DYNAMO COVER/STATOR/FIELD COIL	0.5	1	11631-404-000	COVER, DYNAMO	1	1	1		
ROTOR COMP.	0.3	2	11691-323-000	GASKET, DYNAMO COVER	1	1	1		
DYNAMO COVER GASKET	0.2	3	31101-323-005	ROTOR COMP. (HITACHI)	1	1	1		
		4	31102-323-025	STATOR COMP. (HITACHI)	1	1	1		
		5	31103-390-005	COIL COMP., FIELD	1	1	1		
		6	90014-333-000	BOLT, UBS, 10X32	1	1	1		
		7	93500-06020	SCREW, PAN, 6X20	3	3	3		
		8	93500-06028	SCREW, PAN, 6X28	3	3	3		
		9	93500-06032	SCREW, PAN, 6X32	2	2	2		
		10	93500-06065	SCREW, PAN, 6X65	2	2	2		
		11	94301-08140	PIN A, DOWEL, 8X14	2	2	2		

# E-10

## Left crankcase cover - Starting motor - Oil pump



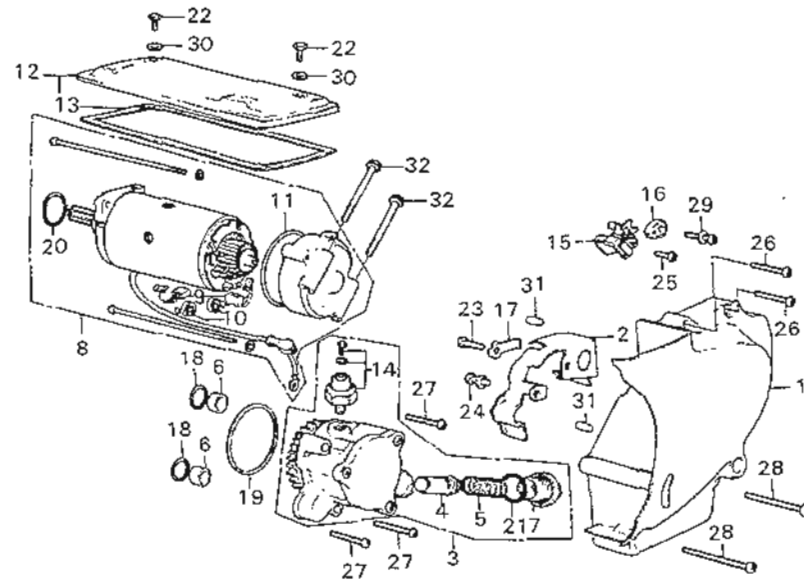
8390-9A

Service item	F.R.T.	Ref. No.	Part No.	Description	Reqd. No.			Serial No.	Area code
					CB500	CB550	K3 K3 K4		
CARBON BRUSH SET	0.8	1	11341-374-010	COVER COMP., L. CRANKCASE	1	1	1		
STARTING MOTOR ASSY.	0.6	2	11353-363-000	PROTECTOR, CASE	1	1	1		
RELIEF VALVE and its related parts	0.4	3	15100-390-000	PUMP ASSY., OIL	1	1	1		
• L. CRANKCASE COVER		4	15140-300-010	VALVE, RELIEF	1	1	1		
OIL PUMP ASSY.	0.3	5	15145-300-000	SPRING, RELIEF VALVE	1	1	1		
• OIL PRESSURE SWITCH ASSY.		6	15155-323-000	COLLAR, O-RING	2	2	2		
• CASE PROTECTOR		7	15331-323-003	CAP, OIL PATH	1	1	1		
NEUTRAL SWITCH ROTOR/STATOR	0.2	8	31200-323-013	MOTOR ASSY., STARTING	1	1	1		
STARTING MOTOR COVER COMP.	0.1	9	31201-292-158	BRUSH SET, CARBON (MITSUBA)	1	1	1		
		10	31204-292-158	SPRING, CARBON BRUSH (MITSUBA)	2	2	2		
		11	31206-286-158	O-RING (MITSUBA)	1	1	1		
		12	31280-323-000	COVER COMP., STARTING MOTOR	1	1	1		
		13	31282-323-300	PACKING, STARTING MOTOR COVER	1	1	1		
		14	35500-333-014	SWITCH ASSY., OIL PRESSURE	1	1	1		
		15	35752-323-000	STATOR, NEUTRAL SWITCH (ND)	1	1	1		
		16	35753-323-000	ROTOR, NEUTRAL SWITCH	1	1	1		
		17	90532-323-000	WASHER, TONGUED, 6MM	1	1	1		
		18	91301-268-020	O-RING, 14MM	2	2	2		
		19	91302-250-010	O-RING, 47MM	1	1	1		
		20	91309-300-000	O-RING, 24.4X3.1	1	1	1		
		21	91315-044-000	O-RING, 19.4X2.8	1	1	1		
		22	92000-06012-02	BOLT, HEX., 6X12	2	2	2		
		23	92000-06016	BOLT, HEX., 6X16	1	1	1		
		24	93482-06016-00	BOLT-WASHER, 6X16	1	1	1		
		25	93500-06012	SCREW, PAN, 6X12	1	1	1		

1978.07-01

# E-10

Left crankcase cover •  
Starting motor • Oil pump



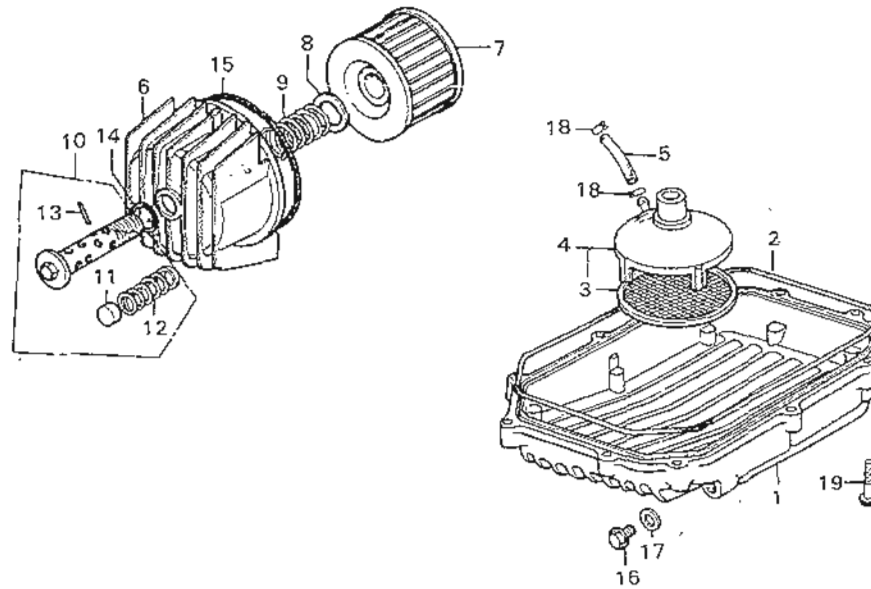
Courtesy of  Honda4Fun  
www.honda4fun.com

3390-9A

Service item	F.R.T.	Ref. No.	Part No.	Description	Reqd. No.			Serial No.	Area code
					CB500 K3	CB550 K3	CB550 K4		
		26	93500-06032	SCREW, PAN, 6X32	2	2	2		
		27	93500-06035	SCREW, PAN, 6X35	3	3	3		
		28	93500-06055	SCREW, PAN, 6X55	2	2	2		
		29	93891-06020-00	SCREW-WASHER, 6X20	1	1	1		
		30	94101-06200	WASHER, PLAIN, 6MM	2	2	2		
		31	94302-06100	PIN B, DOWEL, 6X10	2	2	2		
		32	95700-06055-00	BOLT, FLANGE, 6X55	2	2	2		

# E-11

## Oil filter • Oil pan



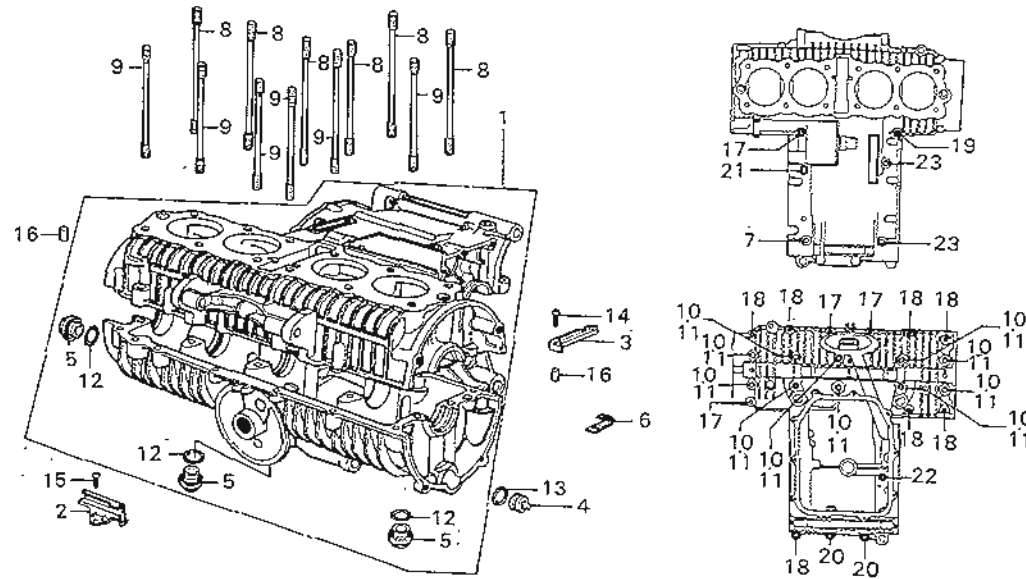
8390-10

Service item	F.R.T.	Ref. No.	Part No.	Description	Read. No.			Serial No.	Area code
					CB500	CB550	K3 K3 K4		
OIL PAN/OIL STRAINER ASSY.	0.5	1	11210-323-000	PAN, OIL	1	1	1		
OIL FILTER ELEMENT and its related parts	0.2	2	11398-323-000	GASKET, OIL PAN	1	1	1		
		3	15150-300-000	SCREEN, OIL STRAINER	1	1	1		
		4	15150-374-000	STRAINER ASSY., OIL	1	1	1		
		5	15154-374-000	PIPE, TRANSMISSION OIL	1	1	1		
		6	15411-300-010	CASE, OIL FILTER	1	1	1		
		7	15412-300-024	ELEMENT, OIL FILTER (TOKYO ROKI)	1	1	1		
		8	15414-300-000	SEAT, OIL FILTER SPRING	1	1	1		
		9	15415-300-000	SPRING, OIL FILTER ELEMENT SET	1	1	1		
		10	15420-300-020	BOLT, OIL FILTER CENTER	1	1	1		
		11	15473-300-300	VALVE, CHECK	1	1	1		
		12	15474-300-310	SPRING, CHECK VALVE	1	1	1		
		13	15477-300-300	PIN, SPRING SET	1	1	1		
		14	91302-028-000	O-RING, 15X2.5	1	1	1		
		15	91316-300-005	O-RING, 89X4.5	1	1	1		
		16	92800-12000	BOLT, DRAIN PLUG, 12MM	1	1	1		
		17	94109-12000	WASHER, DRAIN PLUG, 12MM	1	1	1		
		18	95002-70000	CLIP C11, TUBE	2	2	2		
		19	95700-06032-00	BOLT, FLANGE, 6X32	10	10	10		

1978.07.01

# E-12

## Crankcase



Courtesy of  Honda4Fun  
[www.honda4fun.com](http://www.honda4fun.com) [www.honda4fun.com](http://www.honda4fun.com)

B404-5

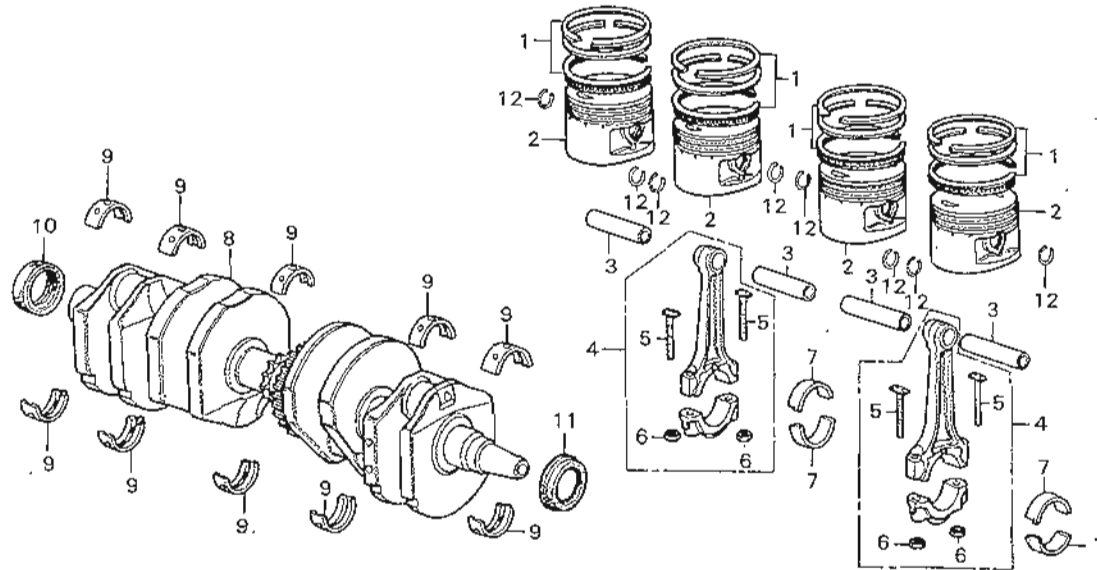
Service item	F.R.T.	Ref. No.	Part No.	Description	Reqd. No.			Serial No.	Area code
					CB500	CB550	K3 K4		
CRANKCASE SET	*8.0	1	11000-374-000	CRANKCASE SET	1	1	1		
CYLINDER STUD BOLT	2.8	2	11202-323-000	GUIDE A, OIL	1	1	1		
* Add 0.1		3	11203-323-010	GUIDE B, OIL	1	1	1		
		4	11207-323-000	PLUG, OIL PATH	1	1	1		
		5	15332-300-000	CAP B, OIL PATH	3	3	3		
		6	32111-323-000	CLAMPER, CORD	1	1	1		
		7	90011-323-000	BOLT, FLANGE, 8X145	1	1	1		
		8	90033-323-000	BOLT A, CYLINDER STUD	6	6	6		
		9	90034-323-000	BOLT B, CYLINDER STUD	6	6	6		
		10	90084-323-000	BOLT, HEX., 8X100	10	10	10		
		11	90485-035-000	WASHER, 14MM	10	10	10		
		12	91315-044-000	O-RING, 19.4X2.8	3	3	3		
		13	91319-300-000	O-RING, 13X2.5	1	1	1		
		14	93901-25310	SCREW, TAPPING, 5X16	1	1	1		
		15	93901-26110	SCREW, TAPPING, 6X12	1	1	1		
		16	94302-10160	PIN B, DOWEL, 10X16	2	2	2		
		17	95700-06032-00	BOLT, FLANGE, 6X32	4	4	4		
		18	95700-06040-00	BOLT, FLANGE, 6X40	7	7	7		
		19	95700-06050-00	BOLT, FLANGE, 6X50	1	1	1		
		20	95700-06055-00	BOLT, FLANGE, 6X55	2	2	2		
		21	95700-06100-00	BOLT, FLANGE, 6X100	1	1	1		
		22	95700-06105-00	BOLT, FLANGE, 6X105	1	1	1		
		23	95700-08100-00	BOLT, FLANGE, 8X100	2	2	2		

1978.07.01



# E-13

## Crankshaft • Piston



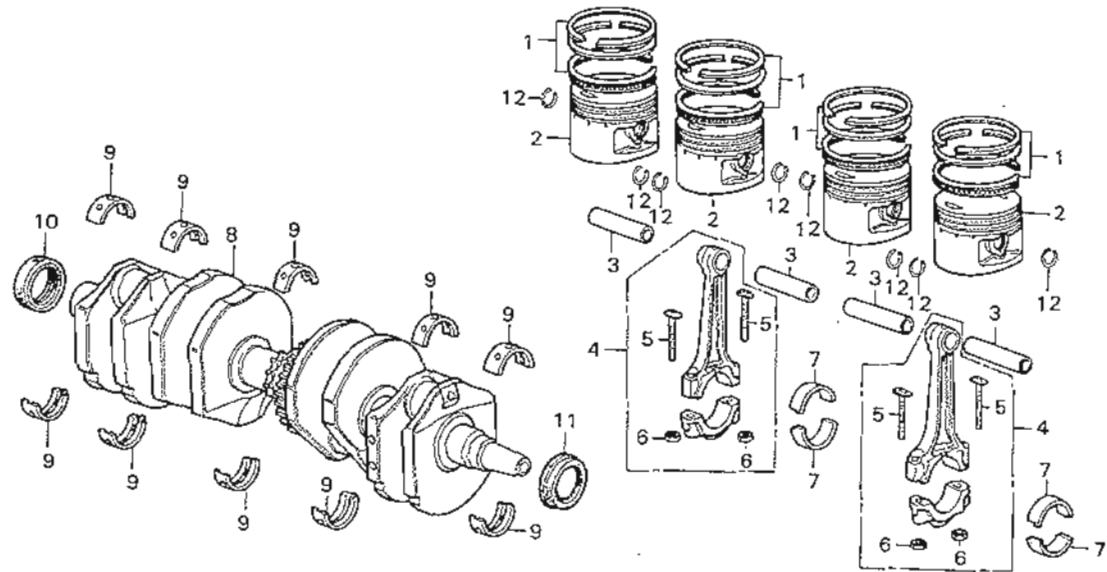
8374-26

Service item	F.R.T.	Ref. No.	Part No.	Description	Reqd. No.			Serial No.	Area code
					CB500	CB550	K3 K4		
CRANKSHAFT COMP.	≈7.5	1	13011-323-013	RING SET, PISTON (STD. NIPPON)	4				
CRANKSHAFT BEARING	≈6.8		13011-323-014	RING SET, PISTON (STD. RIKEN)	4				
• One or all			13011-374-004	RING SET, PISTON (STD. RIKEN)		4	4		
CONNECTING ROD/CONNECTING ROD BEARING	≈6.5		13021-323-013	RING SET, PISTON (0.25 NIPPON)	(4)				
• Add 0.4			13021-323-014	RING SET, PISTON (0.25 RIKEN)	(4)				
PISTON/PISTON RING SET	2.9		13021-374-000	RING SET, PISTON (0.25)		(4)	(4)		
• Add 0.1			13031-323-013	RING SET, PISTON (0.50 NIPPON)	(4)				
PISTON PIN	2.8		13031-323-014	RING SET, PISTON (0.50 RIKEN)	(4)				
			13031-374-000	RING SET, PISTON (0.50)		(4)	(4)		
			13041-323-013	RING SET, PISTON (0.75 NIPPON)	(4)				
			13041-323-014	RING SET, PISTON (0.75 RIKEN)	(4)				
			13041-374-000	RING SET, PISTON (0.75)		(4)	(4)		
			13051-323-013	RING SET, PISTON (1.00 NIPPON)	(4)				
			13051-323-014	RING SET, PISTON (1.00 RIKEN)	(4)				
			13051-374-000	RING SET, PISTON (1.00)		(4)	(4)		
		2	13101-323-000	PISTON (STD.)	4				
			13101-374-000	PISTON (STD.)		4	4		
			13102-323-000	PISTON (0.25)	(4)				
			13102-374-000	PISTON (0.25)		(4)	(4)		
			13103-323-000	PISTON (0.50)	(4)				
			13103-374-000	PISTON (0.50)		(4)	(4)		
			13104-323-000	PISTON (0.75)	(4)				
			13104-374-000	PISTON (0.75)		(4)	(4)		
			13105-323-000	PISTON (1.00)	(4)				
			13105-374-000	PISTON (1.00)		(4)	(4)		
		3	13111-286-000	PIN, PISTON	4	4	4		
		4	13203-323-000	ROD COMP. C, CONNECTING	4	4	4		
			13204-323-000	ROD COMP. D, CONNECTING	4	4	4		
			13205-323-000	ROD COMP. E, CONNECTING	4	4	4		

1978.07.01

# E-13

## Crankshaft • Piston



B374-25

Service item	F.R.T.	Ref. No.	Part No.	Description	Reqd. No.			Serial No.	Area code
					CBS00	CB550	K3 K3 K4		
			13206-323-000	ROD COMP. F, CONNECTING	4	4	4		
			13207-323-000	ROD COMP. G, CONNECTING	4	4	4		
		5	13213-333-003	BOLT, CONNECTING ROD (TOKAI)	8			2203574 2019899 2105218	
			13213-410-003	BOLT, CONNECTING ROD	8	8		2203575 2019900 2105219	
		6	13214-300-000	NUT, CONNECTING ROD	8	8	8		
		7	13215-323-003	BEARING A, CONNECTING ROD (DAIDO)	8	8	8		
			13216-323-003	BEARING B, CONNECTING ROD (DAIDO)	8	8	8		
			13217-323-003	BEARING C, CONNECTING ROD (DAIDO)	8	8	8		
			13218-323-003	BEARING D, CONNECTING ROD (DAIDO)	8	8	8		

Selection table of connecting rod big end bearing

Crank pin allowance	A		B	
	35 <sup>φ</sup> +0.006 -0.004	Clearance (μ)	35 <sup>φ</sup> -0.014 -0.004	Clearance (μ)
3	38 <sup>φ</sup> +0.021 +0.014	B (BROWN) 18-43	A (BLACK) 20-45	
2	38 <sup>φ</sup> +0.014 +0.007	C (GREEN) 19-44	B (BROWN) 21-46	
1	38 <sup>φ</sup> +0.007 -0	D (YELLOW) 20-45	C (GREEN) 22-47	

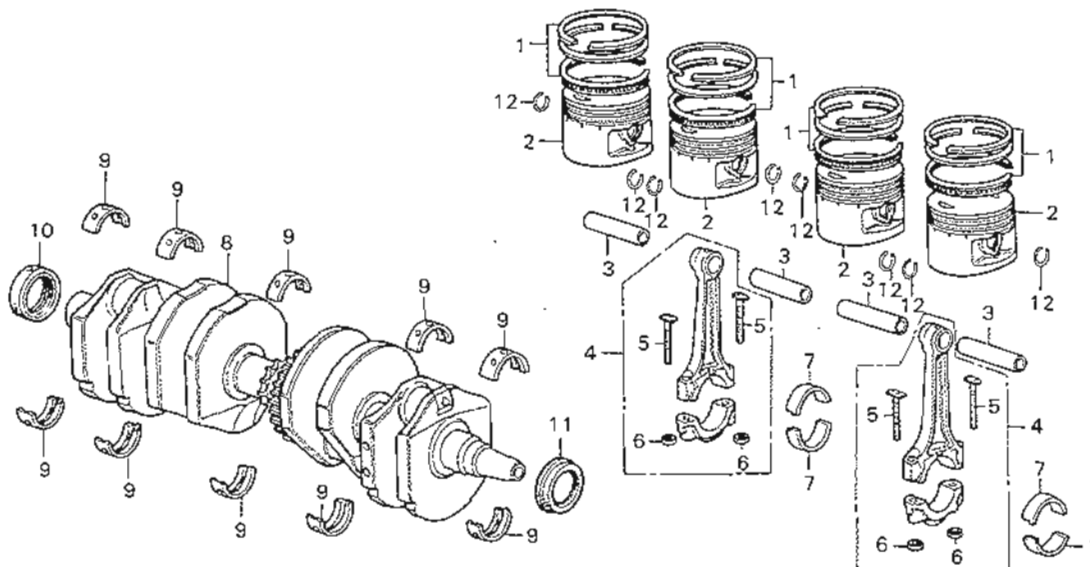
Selection table of crankshaft journal main bearing

Crankshaft allowance	1		2	
	33 <sup>φ</sup> +0 -0.010	Clearance (μ)	33 <sup>φ</sup> -0.010 -0.020	Clearance (μ)
C	36 <sup>φ</sup> +0.006 -0.002	B (BROWN) 20-46	A (BLACK) 22-48	
B	36 <sup>φ</sup> -0.010 -0.002	C (GREEN) 20-46	B (BROWN) 22-48	
A	36 <sup>φ</sup> -0.018 -0.010	D (YELLOW) 20-46	C (GREEN) 22-48	

1978.07.01

# E-13

## Crankshaft • Piston



Courtesy of  Honda4Fun  
www.honda4fun.com

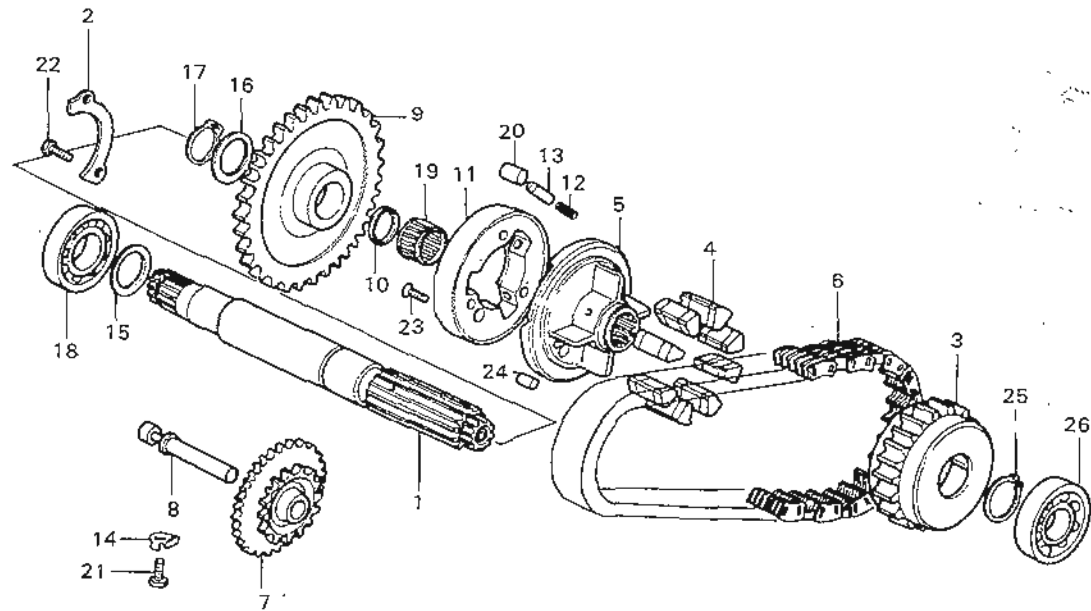
8374-25

Service item	F.R.T.	Ref. No.	Part No.	Description	Reqd. No.			Serial No.	Area code
					CB500	CB550	K3 K4		
		8	13300-323-000	CRANKSHAFT COMP.	1	1	1		
		9	13315-323-000	BEARING A, CRANKSHAFT	10	10	10		
			13316-323-000	BEARING B, CRANKSHAFT	10	10	10		
			13317-323-000	BEARING C, CRANKSHAFT	10	10	10		
			13318-323-000	BEARING D, CRANKSHAFT	10	10	10		
		10	91201-300-003	OIL SEAL, 30X42X8	1	1	1		
		11	91201-323-005	OIL SEAL, 30X45X8	1	1	1		
		12	94601-15000	CLIP, PISTON PIN, 15MM	8	8	8		

1978.07.01

# E-14

## Primary shaft • Chain



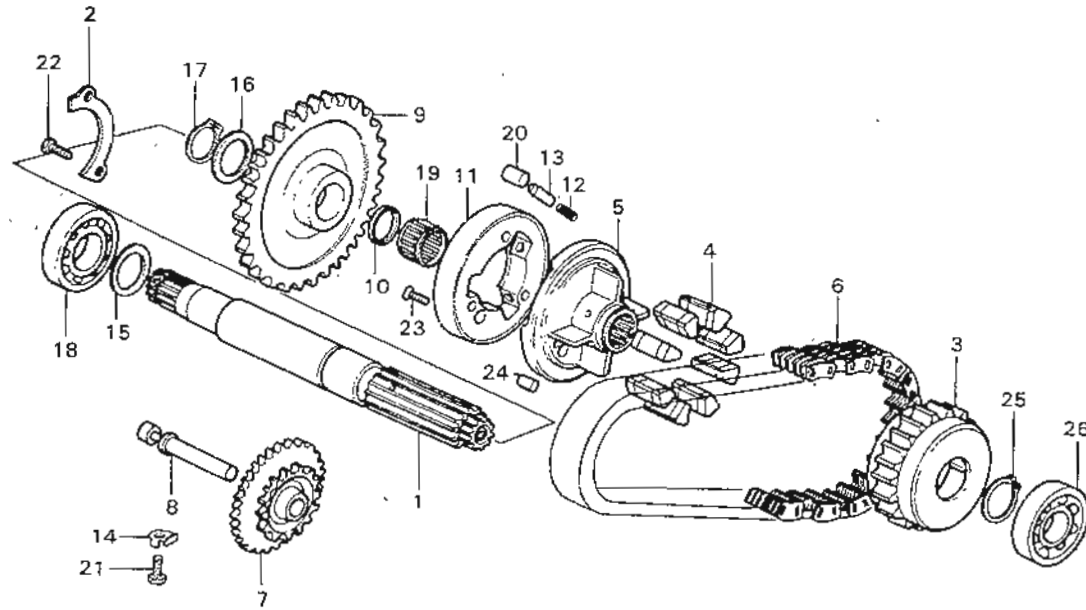
6390-13

Service item	F.R.T.	Ref. No.	Part No.	Description	Reqd. No.			Serial No.	Area code
					CB500	CB550	K3 K3 K4		
PRIMARY DRIVE CHAIN	≈7.6	1	23100-323-000	SHAFT COMP., PRIMARY	1	1	1		
STARTER REDUCTION GEAR	≈5.0	2	23102-323-000	PLATE, BEARING SET	1	1	1		
PRIMARY SHAFT and its related parts	≈4.5	3	23111-323-010	SPROCKET, PRIMARY DRIVEN (28T)	1	1	1		
		4	23114-323-000	RUBBER, DAMPER	8	8	8		
		5	23121-323-010	HUB, PRIMARY DRIVE SPROCKET	1	1	1		
		6	23131-323-003	CHAIN, PRIMARY DRIVE	1	1	1		
		7	28101-323-000	GEAR, STARTER REDUCTION	1	1	1		
		8	28106-323-000	SHAFT, STARTER REDUCTION GEAR	1	1	1		
		9	28111-363-000	GEAR, STARTING CLUTCH	1	1	1		
		10	28112-323-000	SPACER, 25MM	1	1	1		
		11	28120-323-000	OUTER, STARTING CLUTCH	1	1	1		
		12	28125-323-000	SPRING, STARTING CLUTCH ROLLER	3	3	3		
		13	28126-323-000	CAP, STARTING CLUTCH ROLLER SPRING	3	3	3		
		14	90433-283-000	WASHER, LOCK, 6MM	1	1	1		
		15	90456-323-000	WASHER, THRUST, 22MM	1	1	1		
		16	90555-700-000	WASHER, THRUST, 25MM	1	1	1		
		17	90602-259-010	CIR CLIP, EXTERNAL, 25MM	1	1	1		
		18	91001-116-008	BEARING, RADIAL BALL, 6322 (TOYO)	1	1	1		
		19	91007-323-003	BEARING, NEEDLE, 25X29X17	1	1	1		
		20	91103-259-000	ROLLER, 10.2X11.5	3	3	3		
			91101-377-000	ROLLER, 10.2X11.5	3	3	3		
		21	92000-06012	BOLT, HEX., 6X12	1	1	1		
		22	92000-06014	BOLT, HEX., 6X14	1	1	1		
		23	93600-06018	SCREW, FLAT, 6X18	3	3	3		

1978-07.01

# E-14

## Primary shaft • Chain



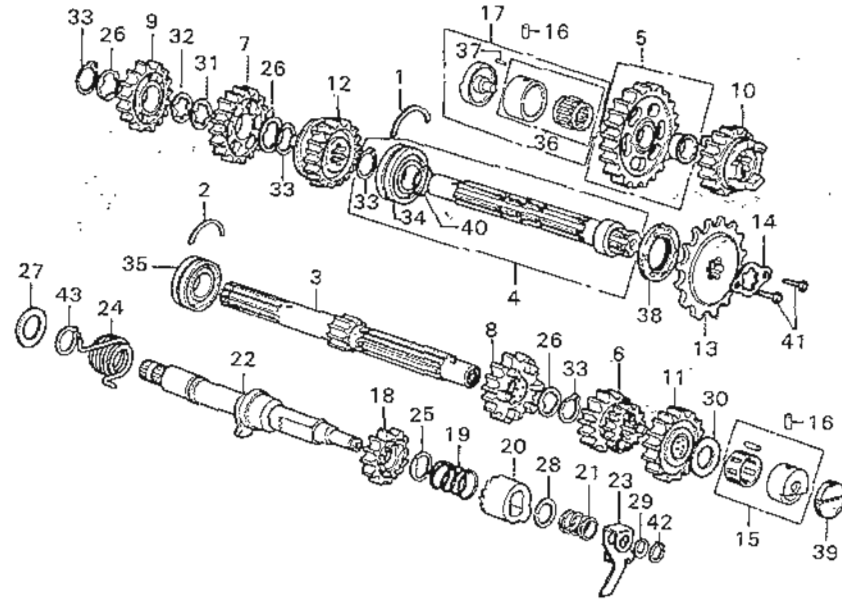
5390-13

Service item	F.R.T.	Ref. No.	Part No.	Description	Reqd. No.			Serial No.	Area code
					CB500 K3	CB550 K3	CB550 K4		
		24	94303-08140	PIN C, DOWEL, 8X14	1	1	1		
		25	94510-30000	CIR CLIP, EXTERNAL, 30	1	1	1		
		26	96100-62050	BEARING, RADIAL BALL, 6205	1	1	1		

1978.07-01

# E-15

## Transmission • Kick spindle



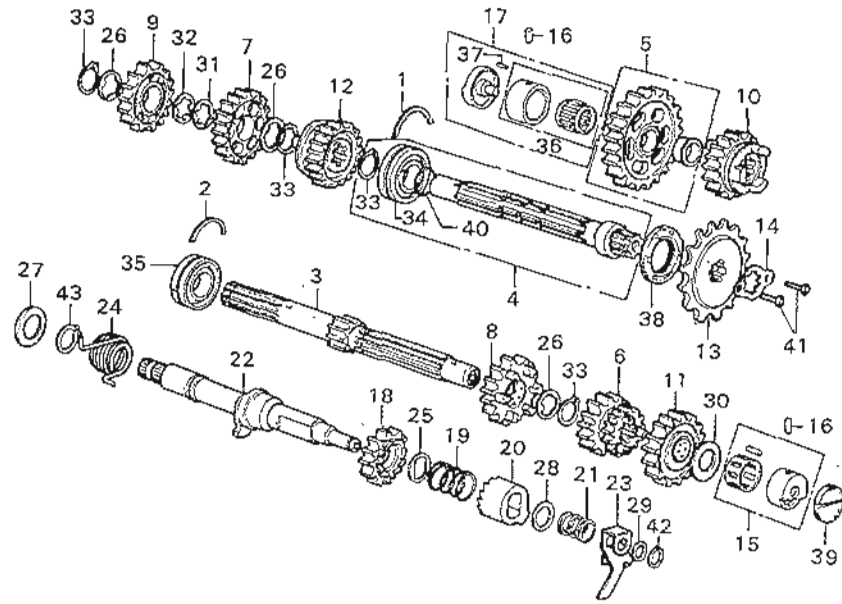
B390-14

Service item	F.R.T.	Ref. No.	Part No.	Description	Reqd. No.			Serial No.	Area code
					CB500	CB550	K3 K3 K4		
TRANSMISSION MAINSHAFT and its related parts	≈5.4	1	13491-283-000	RING, BEARING SET, 57MM	1	1	1		
		2	13492-283-000	RING, BEARING SET, 52MM	1	1	1		
• TRANSMISSION COUNTERSHAFT COMP. and its related parts		3	23210-374-000	MAINSHAFT COMP., TRANSMISSION (24T)	1	1	1		
* One motorcycle ≈5.6 at transmission		4	23220-374-000	COUNTERSHAFT COMP., TRANSMISSION	1	1	1		
KICK STARTER SPINDLE and its related parts	≈5.2	5	23420-374-000	GEAR, COUNTERSHAFT LOW (40T)	1	1	1		
KICK STARTER SPRING	0.6	6	23431-374-000	GEAR, MAINSHAFT SECOND THIRD (22T- 26T)	1	1	1		
DRIVE SPROCKET	0.2	7	23441-286-020	GEAR, COUNTERSHAFT SECOND (36T)	1	1	1		
		8	23450-390-000	GEAR COMP., MAINSHAFT FOURTH (28T)	1	1	1		
		9	23461-286-030	GEAR, COUNTERSHAFT THIRD (33T)	1	1	1		
		10	23471-286-010	GEAR, COUNTERSHAFT FOURTH (29T)	1	1	1		
		11	23480-390-000	GEAR COMP., MAINSHAFT TOP (30T)	1	1	1		
		12	23491-374-000	GEAR, COUNTERSHAFT TOP (27T)	1	1	1		
		13	23801-300-010	SPROCKET, DRIVE (17T)	1	1	1		
		14	23811-292-000	PLATE, DRIVE SPROCKET FIXING	1	1	1		
		15	23931-323-004	BEARING, NEEDLE, 20MM (KOYO)	1	1	1		
		16	24261-283-000	PIN, GEARSHIFT FDRK GUIDE	2	2	2		
		17	25100-374-003	BEARING COMP., OIL PUMP (YAMADA)	1	1	1		
		18	28211-323-000	PINION, KICK STARTER	1	1	1		
		19	28215-216-000	SPRING, STARTER PINION SET	1	1	1		

1978.07.01

# E-15

## Transmission - Kick spindle



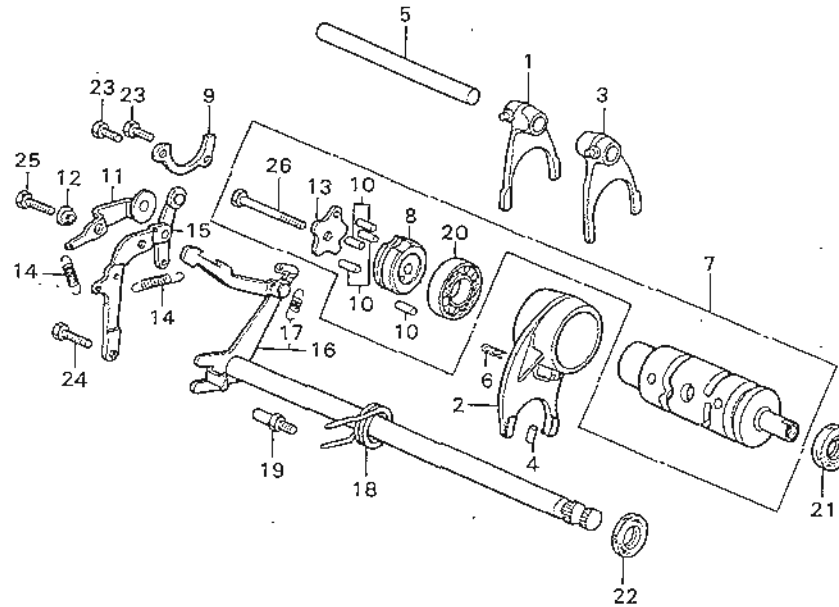
9390-14

Service item	E.R.T.	Ref. No.	Part No.	Description	Reqd. No.			Serial No.	Area code
					CB500	CB550	K3 K3 K4		
		20	28221-310-020	RATCHET, KICK STARTER	1	1	1		
		21	28223-216-000	SPRING, KICK STARTER RATCHET	1	1	1		
		22	28251-323-000	SPINDLE, KICK STARTER	1	1	1		
		23	28258-310-010	PLATE, RATCHET GUIDE	1	1	1		
		24	28261-323-000	SPRING, KICK STARTER	1	1	1		
		25	90451-216-000	WASHER, THRUST, 20MM	1	1	1		
		26	90451-286-000	WASHER A, THRUST, 25MM	3	3	3		
		27	90453-286-003	WASHER, 18MM (KOYO)	1	1	1		
		28	90454-200-000	WASHER, THRUST, 15MM	1	1	1		
		29	90457-500-000	WASHER, CAM CHAIN GUIDE ROLLER THRUST	1	1	1		
		30	90458-292-000	WASHER, THRUST, 20MM	1	1	1		
		31	90461-286-000	WASHER B, THRUST, 25MM	1	1	1		
		32	90462-323-000	WASHER, LOCK, 25MM	1	1	1		
		33	90602-259-010	CIR CLIP, EXTERNAL, 25MM	4	4	4		
		34	91002-283-000	BEARING, SPECIAL BALL, 5205	1	1	1		
		35	91002-286-008	BEARING, BALL, 5205HS (TDYO)	1	1	1		
		36	91022-374-003	BEARING, NEEDLE, 20MM (TDYO)	1	1	1		
		37	91103-374-003	PIN, OIL PUMP KNOCK (YAMADA)	1	1	1		
		38	91205-283-015	OIL SEAL, 33X57X7	1	1	1		
		39	91207-374-000	OIL SEAL, 34X8	1	1	1		
		40	91306-703-000	O-RING, 24.5MM	1	1	1		
		41	92000-06012	BOLT, HEX., 6X12	2	2	2		
		42	94510-12000	CIR CLIP, EXTERNAL, 12	1	1	1		
		43	94510-18000	CIR CLIP, EXTERNAL, 18	1	1	1		

1978.07.01

# E-16

## Shift drum • Shift fork • Shift spindle



B390-15

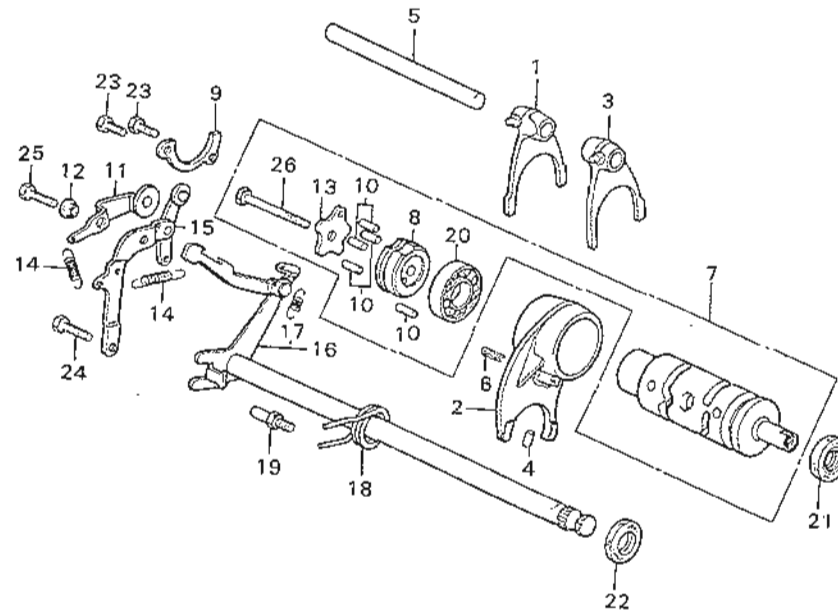
Service item	F.R.T.	Ref. No.	Part No.	Description	Reqd. No.			Serial No.	Area code	
					CB500	CB550	K3 K3 K4			
GEAR SHIFT DRUM ASSY./GEAR SHIFT FORK and their related parts	5.2	1	24211-374-000	FORK, R. GEARSHIFT	1	1	1			
		2	24212-390-000	FORK, CENTER GEARSHIFT	1	1	1			
SHIFT DRUM STOPPER/GEAR SHIFT SPINDLE COMP. and their related parts	1.1	3	24213-374-000	FORK, L. GEARSHIFT	1	1	1			
		4	24261-283-000	PIN, GEARSHIFT FORK GUIDE	1	1	1			
		5	24261-374-000	SHAFT, GEARSHIFT FORK	1	1	1			
		6	24263-286-000	CLIP, GEARSHIFT FORK GUIDE	1	1	1			
		7	24300-374-000	DRUM ASSY., GEARSHIFT	1	1	1			
		8	24302-374-000	CENTER, GEARSHIFT DRUM	1	1	1			
		9	24305-374-000	PLATE, BEARING SET	1	1	1			2011769
			24305-374-010	PLATE, BEARING SET	1	1	1			
		10	24421-230-000	PIN, GEARSHIFT	5	5	5			2011770
		11	24430-390-010	STOPPER COMP., SHIFT DRUM	1	1	1			
		12	24433-323-010	COLLAR, SHIFT DRUM STOPPER	1	1	1			
		13	24434-286-020	PLATE, DRUM STOPPER CAM	1	1	1			
		14	24435-323-020	SPRING, SHIFT DRUM STOPPER	2	2	2			
		15	24440-390-000	STOPPER COMP., SHIFT DRUM NEUTRAL	1	1	1			
		16	24610-374-000	SPINDLE COMP., GEARSHIFT	1	1	1			
		17	24641-292-000	SPRING, GEARSHIFT ARM	1	1	1			
		18	24651-286-000	SPRING, GEARSHIFT RETURN	1	1	1			
		19	90015-286-000	PIN, RETURN SPRING	1	1	1			2012686
			24652-028-000	PIN, SHIFT RETURN SPRING	1	1	1			
		20	91008-374-003	BEARING, BALL, 16005 (TOYO)	1	1	1	2012687		

1978.07.01



# E-16

Shift drum • Shift fork •  
Shift spindle



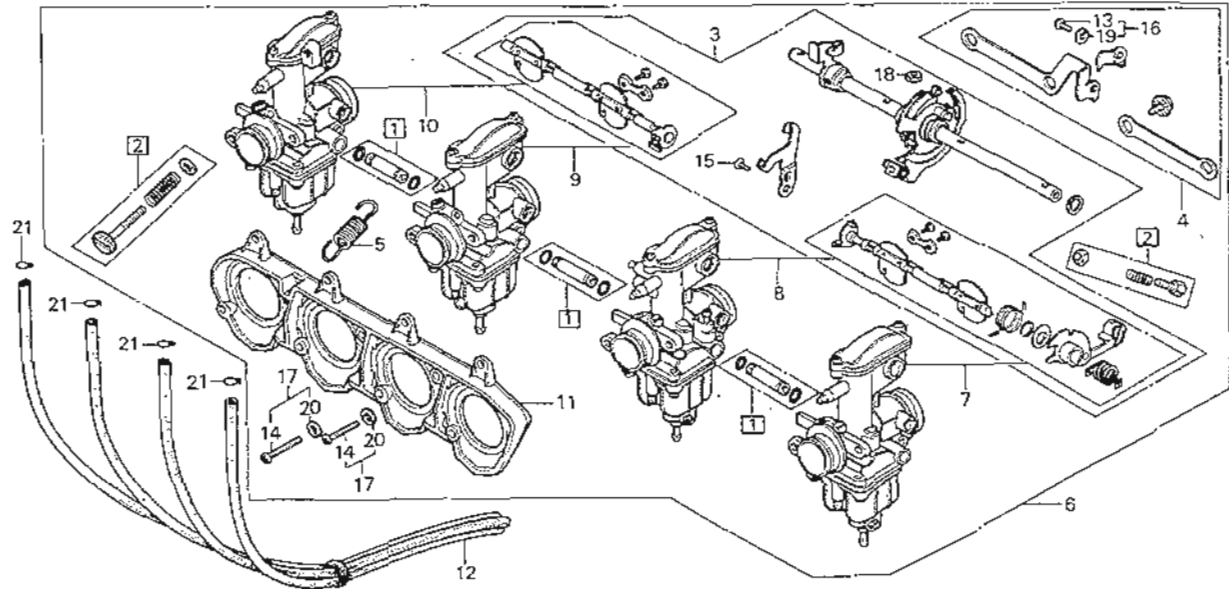
B290-15\*

Service item	F.R.T.	Ref. No.	Part No.	Description	Reqd. No.			Serial No.	Area code
					CB500 K3	CB550 K3	CB550 K4		
		21	91201-292-003	OIL SEAL, 12X25X4.5	1	1	1		
		22	91202-216-003	OIL SEAL, 14X24X5	1	1	1		
		23	92000-06014	BOLT, HEX., 6X14	2	2	2		
		24	92000-06020	BOLT, HEX., 6X20	1	1	1		
		25	92020-06020	BOLT, HEX., 6X20	1	1	1		
		26	92200-06032	BOLT, HEX., 6X32	1	1	1		

1978.07.01

# E-17

## Carburetor (CB500K3) (CB550K3)



Courtesy of  Honda4Fun  
www.honda4fun.com www.honda4fun.com

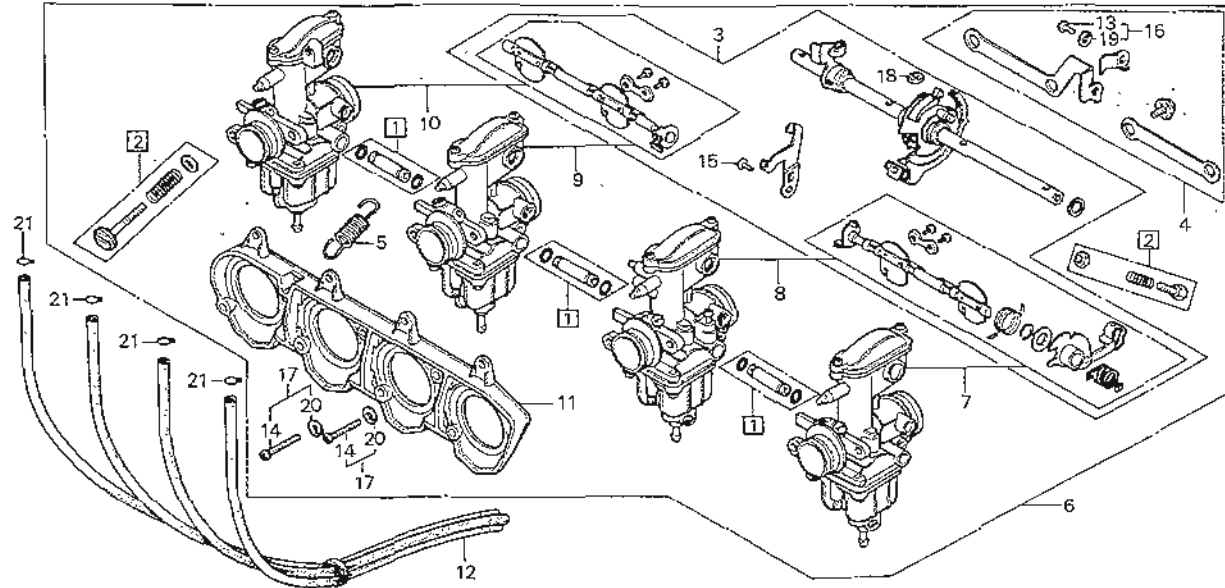
B404-6

Service item	F.R.T.	Ref. No.	Part No.	Description	Reqd. No.			Serial No.	Area code
					CB500	CB550	K3 K3 K4		
CARBURETOR ASSY.	0.8	1	16026-393-004	JOINT SET, FUEL	1	1			
CARBURETOR No. 1 and its related parts • Add 0.2	1.2	2	16028-393-004	SCREW SET B	1	1	PD46A	A	
			16028-393-014	SCREW SET B	2				
THROTTLE LINK SET	1.8	3	16032-404-305	LINK SET, THROTTLE	1		PD46A	B	
STAY PLATE	1.0		16032-404-315	LINK SET, THROTTLE	1		PD46A	B	
REAR STAY PLATE SET	0.9		16032-404-405	LINK SET, THROTTLE	1				
THROTTLE RETURN SPRING SET	0.8		16032-404-415	LINK SET, THROTTLE	1		PD46A	C	
OVER FLOW TUBE ASSY.	0.2	4	16035-404-004	PLATE SET, RR. STAY	1	1		PD46A	A
			16035-404-014	PLATE SET, RR. STAY	1				
		5	16036-393-004	SPRING SET, THROTTLE RETURN	1	1	PD46A	B	
		6	16100-404-004	CARBURETOR ASSY.	1			2017394	
			16100-404-631	CARBURETOR ASSY.	1			2203574	
			16100-404-014	CARBURETOR ASSY.	1		2017395		
			16100-404-632	CARBURETOR ASSY.	1		2203575		
			16100-404-024	CARBURETOR ASSY.	1	1			
			16100-404-633	CARBURETOR ASSY.	1				
		7	16101-404-305	CARBURETOR ASSY. 1	1			PD46A	A
			16101-404-315	CARBURETOR ASSY. 1	1		PD46A	B	
			16101-404-405	CARBURETOR ASSY. 1	1			PD46B	B
			16101-404-325	CARBURETOR ASSY. 1	1		PD46A	C	
			16101-404-415	CARBURETOR ASSY. 1	1		PD46B	C	
			16101-404-355	CARBURETOR ASSY. 1	1		PD46A	D	
			16101-404-425	CARBURETOR ASSY. 1	1		PD46B	D	
		8	16102-404-305	CARBURETOR ASSY. 2	1	1		PD46A	A
			16102-404-315	CARBURETOR ASSY. 2	1		PD46A	B	
			16102-404-405	CARBURETOR ASSY. 2	1			PD46B	B
			16102-404-325	CARBURETOR ASSY. 2	1		PD46A	C	

1978-07-01

# E-17

## Carburetor (CB500K3) (CB550K3)



Courtesy of  Honda4Fun  
www.hondafour.com www.honda4fun.com

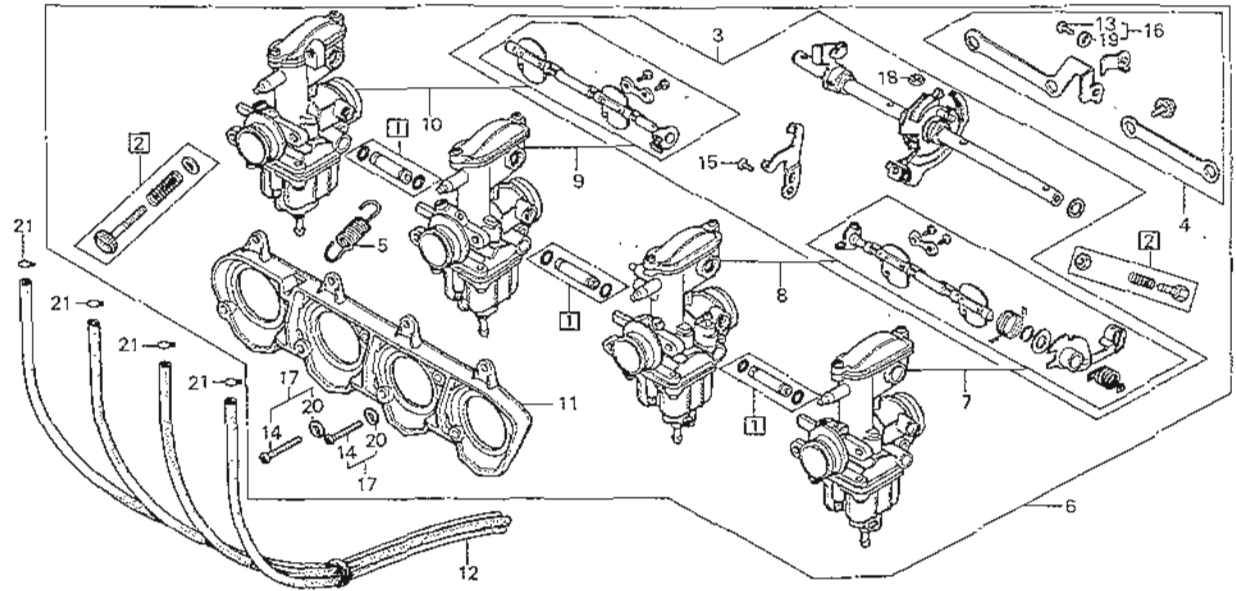
B404-6

Service item	F.R.T.	Ref. No.	Part No.	Description	Reqd. No.			Serial No.	Area code
					CB500	CB550	K3 K3 K4		
			16102-404-415	CARBURETOR ASSY. 2	1		PD46B [C]	PD46B [C]	
			16102-404-355	CARBURETOR ASSY. 2	1	1	PD46A [D]		
			16102-404-425	CARBURETOR ASSY. 2	1		PD46B [D]		
		9	16103-404-305	CARBURETOR ASSY. 3	1	1		PD46A [A]	
			16103-404-315	CARBURETOR ASSY. 3	1	1	PD46A [B]	PD46A [B]	
			16103-404-405	CARBURETOR ASSY. 3	1	1		PD46B [B]	
			16103-404-325	CARBURETOR ASSY. 3	1	1	PD46A [C]	PD46A [C]	
			16103-404-415	CARBURETOR ASSY. 3	1	1	PD46B [C]	PD46B [C]	
			16103-404-355	CARBURETOR ASSY. 3	1	1	PD46A [D]		
			16103-404-425	CARBURETOR ASSY. 3	1	1	PD46B [D]		
		10	16104-404-305	CARBURETOR ASSY. 4	1	1		PD46A [A]	
			16104-404-315	CARBURETOR ASSY. 4	1	1	PD46A [B]	PD46A [B]	
			16104-404-405	CARBURETOR ASSY. 4	1	1		PD46B [B]	
			16104-404-325	CARBURETOR ASSY. 4	1	1	PD46A [C]	PD46A [C]	
			16104-404-415	CARBURETOR ASSY. 4	1	1	PD46B [C]	PD46B [C]	
			16104-404-355	CARBURETOR ASSY. 4	1	1	PD46A [D]		
			16104-404-425	CARBURETOR ASSY. 4	1	1	PD46B [D]		
		11	16119-393-004	PLATE, STAY	1	1			
		12	16290-323-010	TUBE ASSY., OVER FLOW	1	1			
		13	93500-04010-0H	SCREW, PAN, 4X10	1	1			
		14	93500-06020-08	SCREW, PAN, 6X20	8	8		PD46A [B]	
		15	93600-05010-0H	SCREW, FLAT, 5X10	1	1		PD46A [B]	
		16	93892-04010-08	SCREW-WASHER, 4X10	1	1	PD46A [C]		
		17	93892-06020-08	SCREW-WASHER, 6X20	8	8	PD46A [C]		
		18	94001-06080	NUT, HEX., 6MM	1	1			

1978.07.01

# E-17

## Carburetor (CB500K3) (CB550K3)



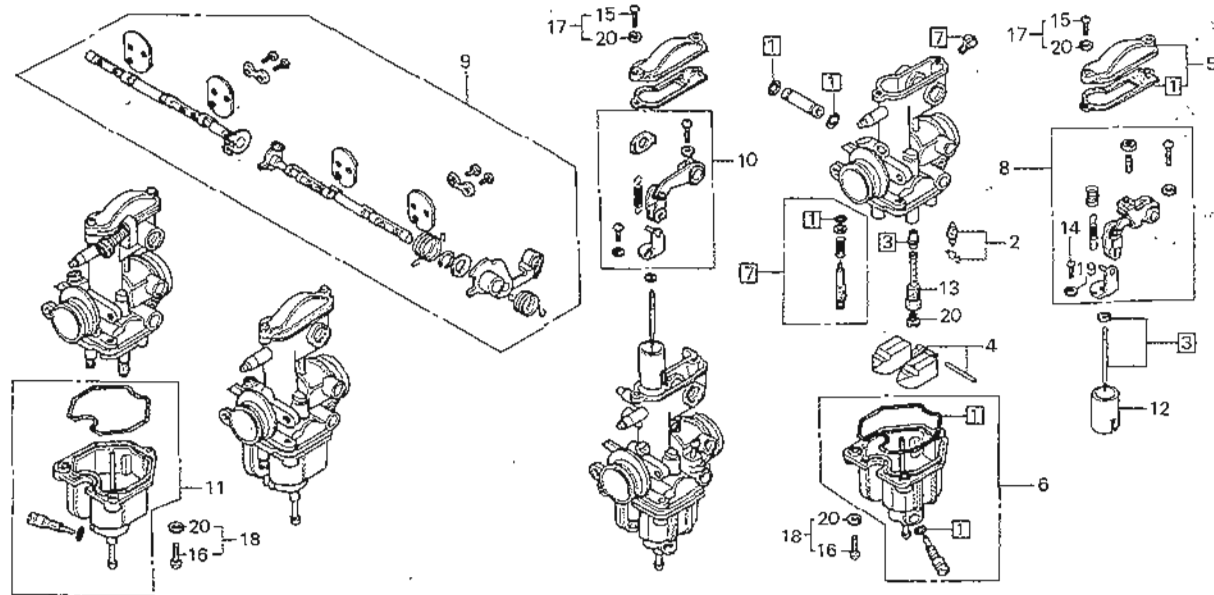
Courtesy of  Honda4Fun  
www.honda4fun.com www.honda4fun.com

2404-6

Service item	F.R.T.	Ref. No.	Part No.	Description	Reqd. No.		Serial No.	Area code
					CB500 K3	CB550 K3 K4		
		19	94111-04800	WASHER, SPRING, 4MM	1			
		20	94111-06800	WASHER, SPRING, 6MM	8			PD46A [B]
					8			PD46A [B]
		21	95002-02070	CLIP B7, TUBE	4	4		

# E-17-1

## Carburetor (Component Parts) (CB500K3) (CB550K3)



Courtesy of  Honda4Fun  
www.honda4fun.com www.honda4fun.com

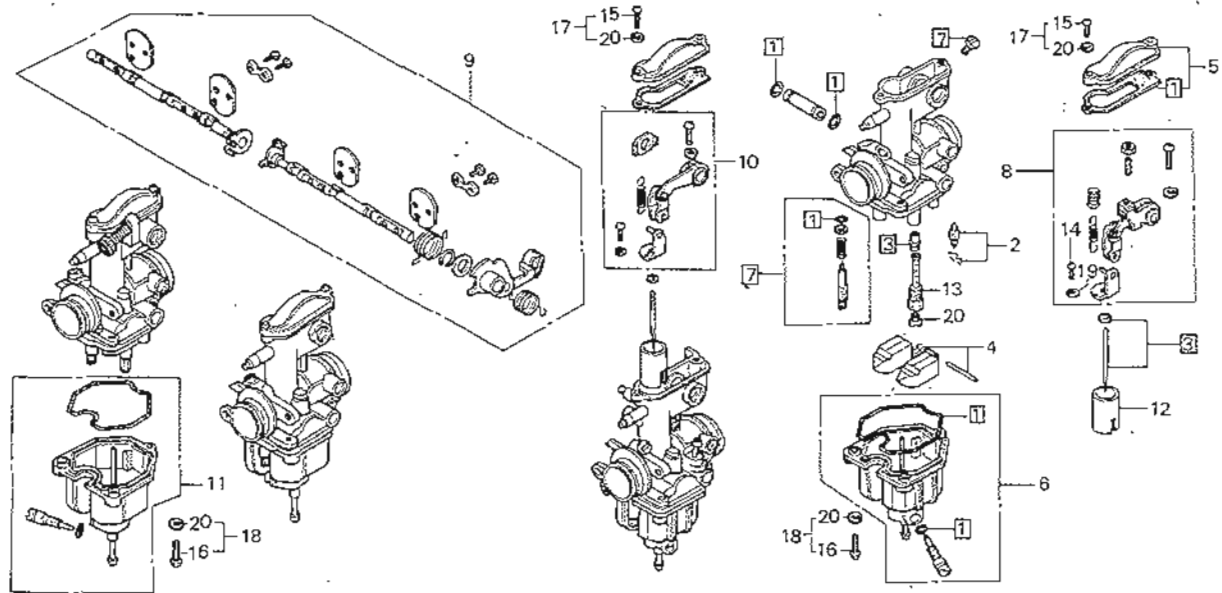
B404-7

Service item	F.R.T.	Ref. No.	Part No.	Description	Reqd. No.		Serial No.	Area code
					CB500 K3	CB550 K3 K4		
PACKING SET • Add 0.6 • CHOKE LINK SET	1.8	1	16010-404-004	PACKING SET	4	4		
		2	16011-393-004	VALVE SET, FLOAT	4	4		PD46B [C] PD46A [C]
JET NEEDLE SET • Add 0.4	1.6		16011-382-004	VALVE SET, FLOAT	4	4		PD46B [D] PD46A [D]
		3	16012-404-004	NEEDLE SET, JET	4	4		PD46A [B]
THROTTLE VALVE • Add 0.3	1.3		16012-404-630	NEEDLE SET, JET	4	4		
		4	16013-393-004	FLOAT SET	4	4		PD46A [C]
LINK ARM SET • Add 0.2	1.2		16013-405-004	FLOAT SET	4	4		PD46A [B]
		5	16014-393-004	TDP SET	4	4		PD46A [C]
FLOAT SET/FLOAT VALVE SET • MAIN JET • Add 0.3	1.1	6	16015-393-004	CHAMBER SET A, FLOAT	2	2		PD46B [B] PD46A [B]
		7	16016-393-004	SCREW SET A	4	4		PD46B [C] PD46A [C]
FLOAT CHAMBER SET • Add 0.1	0.9		16016-393-700	SCREW SET A	4	4		PD46A [C]
		8	16018-393-004	ARM SET A, LINK	3	3		PD46A [A]
			16018-404-004	ARM SET A, LINK	3	3		PD46A [B] PD46A [C]
			16018-404-014	ARM SET A, LINK	3	3		PD46A [B] PD46A [C]
			16025-404-305	LINK SET, CHOKE	1	1		PD46A [A]
			16025-404-315	LINK SET, CHOKE	1	1		PD46A [B]
			16025-404-405	LINK SET, CHOKE	1	1		
			16031-393-004	ARM SET B, LINK	1	1		PD46A [A]
			16031-404-004	ARM SET B, LINK	1	1		PD46A [B]
			16045-393-004	CHAMBER SET, FLOAT	2	2		

1978.07.01

# E-17-1

## Carburetor (Component Parts) (CB500K3) (CB550K3)

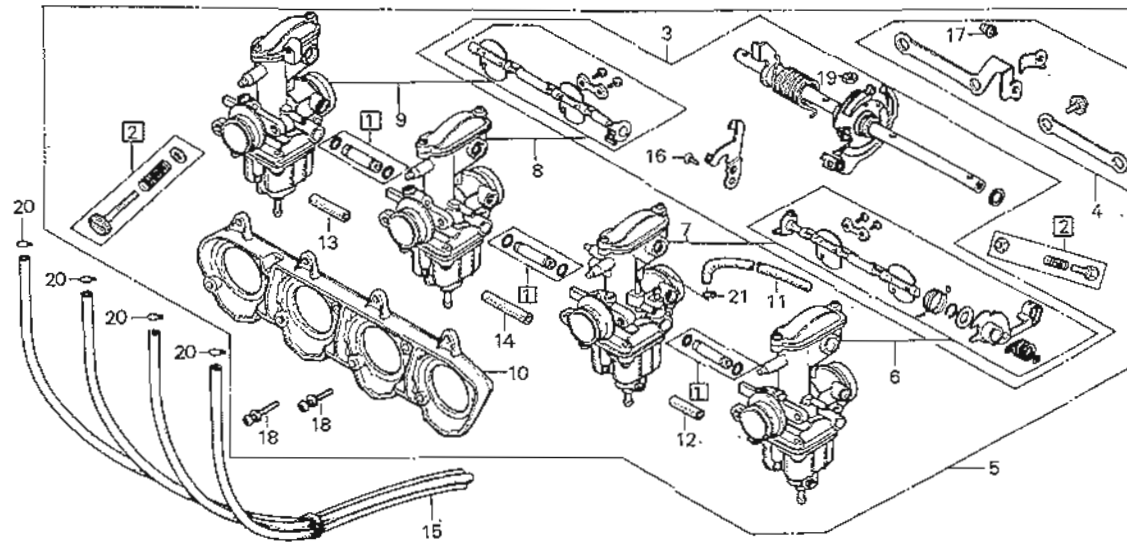


B404-7

Service item	F.R.T.	Ref. No.	Part No.	Description	Reqd. No.			Serial No.	Area code
					CB500 K3	CB550 K3	CB500 K4		
		12	16111-404-004	VALVE, THROTTLE	4	4			
		13	16165-404-004	HOLDER, NEEDLE JET	4	4	PD46A [C]	PD46A [B]	
			16165-404-014	HOLDER, NEEDLE JET					
			16165-404-630	HOLDER, NEEDLE JET	4	4			
		14	93500-03008-0H	SCREW, PAN, 3X8	8	8			
		15	93500-04012-0H	SCREW, PAN, 4X12	8	8		PD46A [B]	
		16	93500-04016-0H	SCREW, PAN, 4X16	12	12		PD46A [B]	
		17	93892-04012-08	SCREW-WASHER, 4X12	8	8	PD46A [C]	PD46A [B]	
		18	93892-04016-08	SCREW-WASHER, 4X16	12	12	PD46A [C]		
		19	94111-03800	WASHER, SPRING, 3MM	0	8			
		20	94111-04800	WASHER, SPRING, 4MM	20	20		PD46A [B]	
		21	99101-393-0900	JET, MAIN, #90	4	4			

# E-18

## Carburetor (CB550K4)



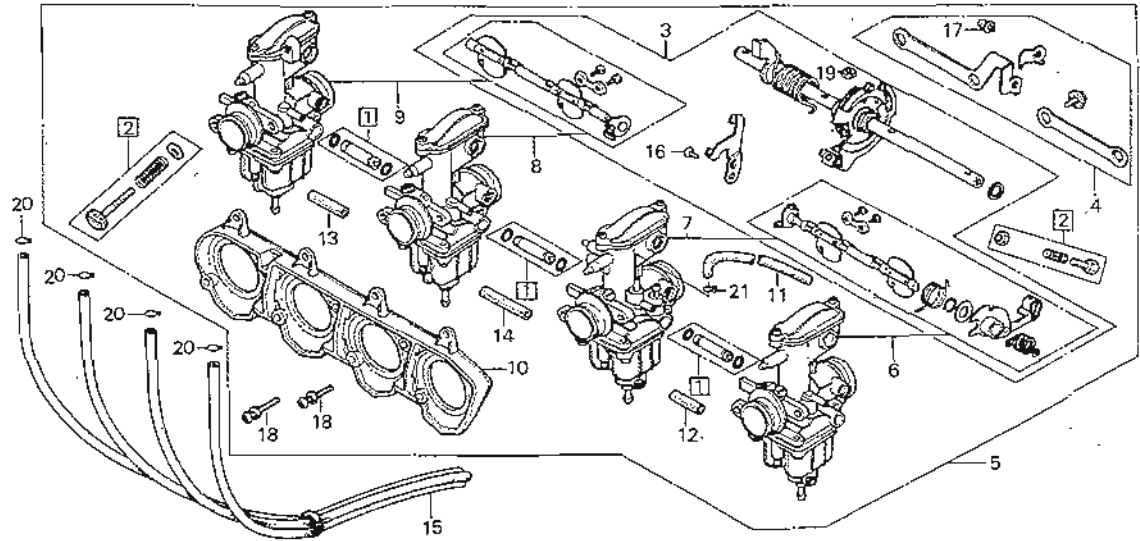
B404-55

Service item	F.R.T.	Ref. No.	Part No.	Description	Reqd. No.		Serial No.	Area code
					CB500	CB550		
CARBURETOR ASSY.	0.8	1	16026-393-004	JOINT SET, FUEL		1		
CARBURETOR No. 1 and its related parts • Add 0.2	1.2	2	16028-393-014	SCREW SET B		1		
THROTTLE LINK SET	1.8	3	16032-404-425	LINK SET, THROTTLE		1		
STAY PLATE	1.0	4	16035-404-014	PLATE SET, RR. STAY		1		
REAR STAY PLATE SET	0.9	5	16100-404-601	CARBURETOR ASSY.		1		
THROTTLE RETURN SPRING SET	0.8		16100-404-602	CARBURETOR ASSY.		1		
OVER FLOW TUBE ASSY.	0.2	6	16101-404-335	CARBURETOR ASSY. 1		1	PD46C	PD46C A
			16101-404-365	CARBURETOR ASSY. 1		1	PD46C	PD46C A
		7	16102-404-335	CARBURETOR ASSY. 2		1	PD46C	PD46C A
			16102-404-365	CARBURETOR ASSY. 2		1	PD46C	PD46C A
		8	16103-404-335	CARBURETOR ASSY. 3		1	PD46C	PD46C A
			16103-404-365	CARBURETOR ASSY. 3		1	PD46C	PD46C A
		9	16104-404-335	CARBURETOR ASSY. 4		1	PD46C	PD46C A
			16104-404-365	CARBURETOR ASSY. 4		1	PD46C	PD46C A
		10	16119-393-004	PLATE, STAY		1		
		11	16143-404-600	TUBE, AIR VENT, (4.5X6X350)		2		
		12	16195-393-600	TUBE, AIR VENT JOINT (4.5X6X26)		1		
		13	16198-393-600	TUBE, AIR VENT JOINT (4.5X6X34)		1		
		14	16199-393-600	TUBE, AIR VENT JOINT (4.5X6X38)		1		
		15	16290-323-010	TUBE ASSY., OVER FLOW		1		
		16	93600-05010-0H	SCREW, FLAT, 5X10		1		
		17	93892-04010-08	SCREW-WASHER, 4X10		1		
		18	93892-06020-08	SCREW-WASHER, 6X20		8		
		19	94001-06080	NUT, HEX., 6MM		1		

1978.07.01

# E-18

## Carburetor (CB550K4)



Courtesy of  Honda4Fun  
www.honda4fun.com

8404-55

Service item	F.R.T.	Ref. No.	Part No.	Description	Reqd. No.		
					CB500 K3	CB550 K3	CB550 K4
					Serial No.	Area code	
		20	95002-02070	CLIP B7, TUBE		4	
		21	95002-02080	CLIP B8, TUBE		1	

1978.07.01

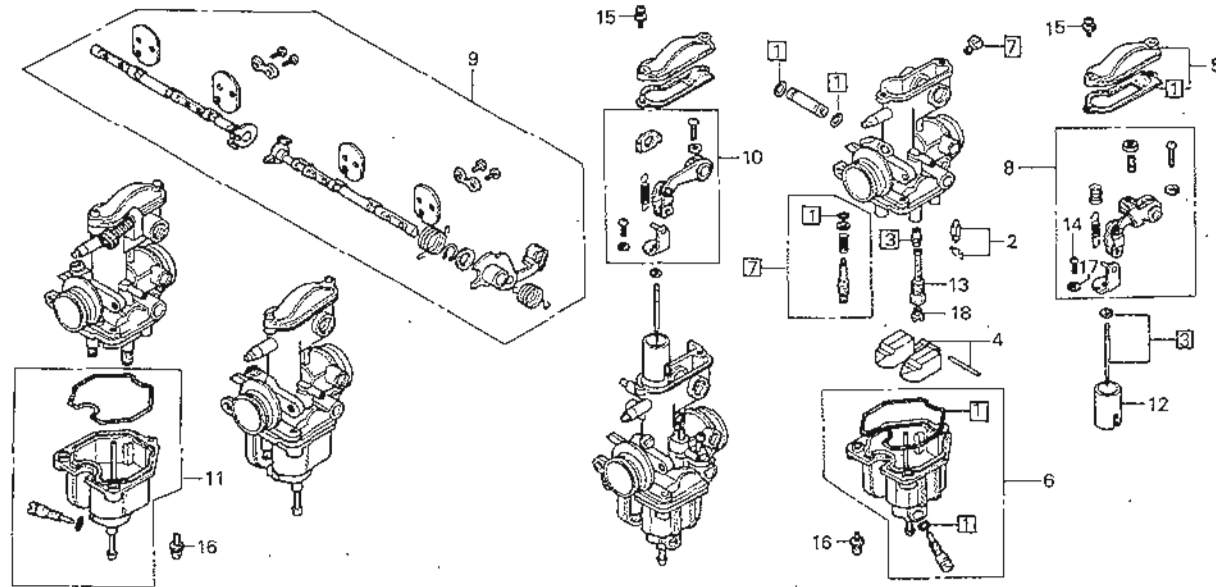


# E-18-1

## Carburetor (Component Parts) (CB550K4)



Courtesy of Honda4Fun  
www.honda4fun.com

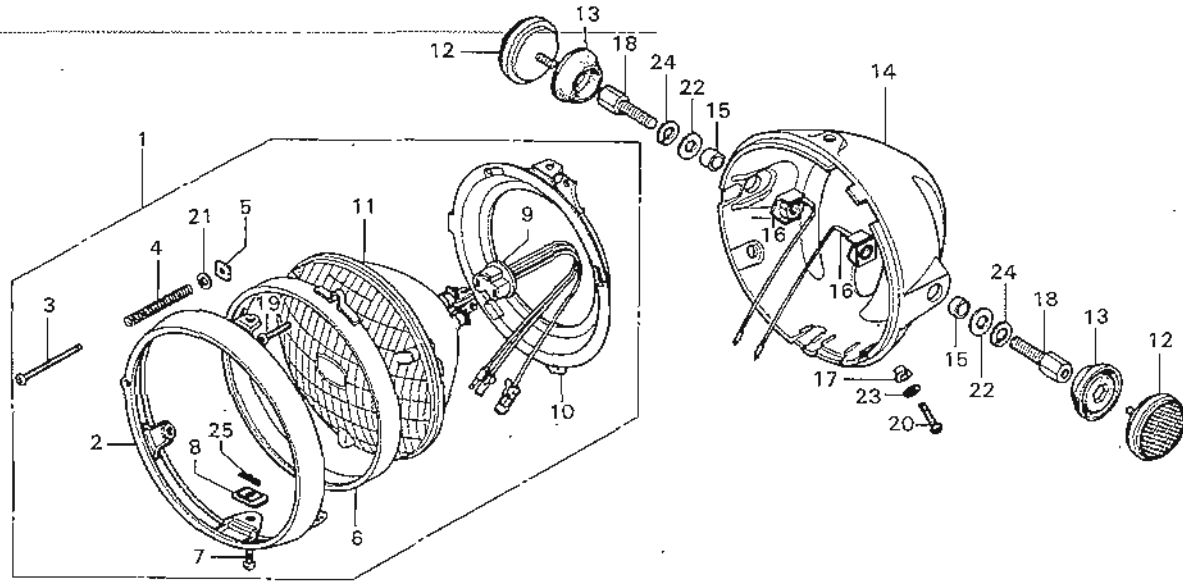


8404-86

Service item	F.R.T.	Ref. No.	Part No.	Description	Reqd. No.		
					CB500 K3	CB550 K3	CB550 K4
					Serial No.	Area code	
PACKING SET	1.8	[1]	16010-404-004	PACKING SET	4		
• Add 0.6		2	16011-393-004	VALVE SET, FLDAT	4		
• CHOKE LINK SET			16011-382-004	VALVE SET, FLDAT	4	PD46C [B]	PD46C [A]
JET NEEDLE SET	1.6	[3]	16012-404-630	NEEDLE SET, JET	4		
• Add 0.4		4	16013-405-004	FLDAT SET	4		
THROTTLE VALVE	1.3		16014-393-004	TOP SET	4		
• Add 0.3		6	16015-393-004	CHAMBER SET A, FLDAT	2		
LINK ARM SET	1.2	[7]	16016-393-700	SCREW SET A	4		
• Add 0.2		8	16018-404-014	ARM SET A, LINK	3		
FLOAT SET/FLOAT VALVE SET	1.1	9	16025-404-315	LINK SET, CHOKE	1		
• MAIN JET		10	16031-404-014	ARM SET B, LINK	1		
• Add 0.3		11	16045-393-004	CHAMBER SET, FLDAT	2		
FLOAT CHAMBER SET	0.9	12	16111-404-004	VALVE, THROTTLE	4		
• Add 0.1		13	16165-404-014	HOLDER, NEEDLE JET	4		
		14	93500-03008-0H	SCREW, PAN, 3X8	8		
		15	93892-04012-08	SCREW-WASHER, 4X12	8		
		16	93892-04016-08	SCREW-WASHER, 4X16	12		
		17	94111-03800	WASHER, SPRING, 3MM	8		
		18	99101-393-0900	JET, MAIN, #90	4		

# F-1

## Headlight (A,CM)



Courtesy of  Honda4Fun  
www.hondafun.com www.honda4fun.com

B404-8

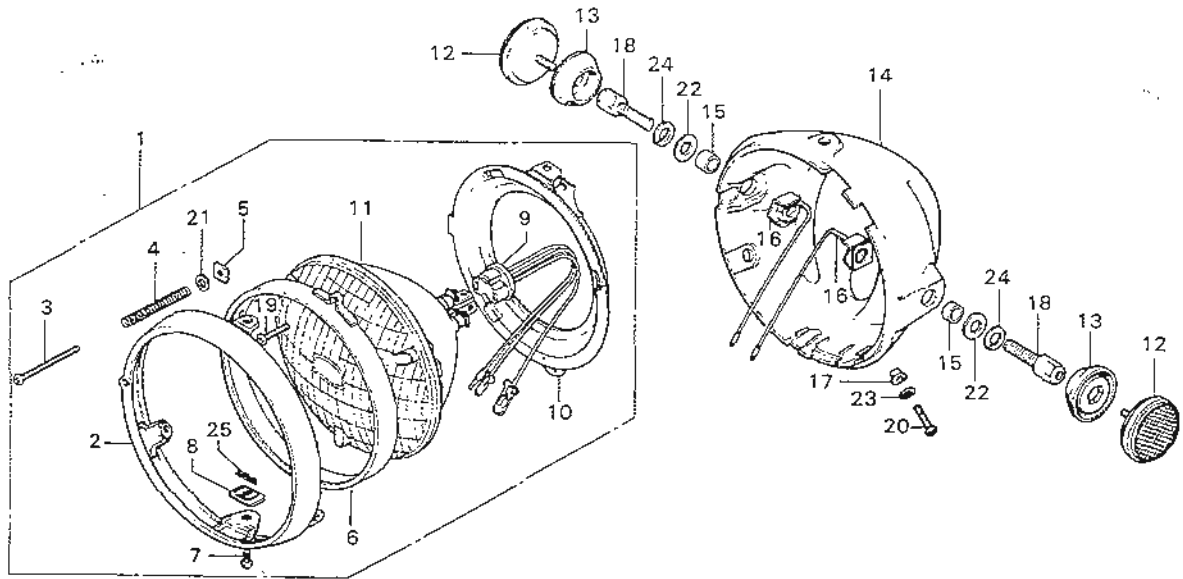
Service item	F.R.T.	Ref. No.	Part No.	Description	Reqd. No. CB500 CB550 K3 K3 K4	Serial No.	Area code
HEADLIGHT CASE	0.3	1	33100-341-701	HEADLIGHT ASSY. (12V 50/40W)	1		A,CM
SEALED BEAM UNIT and its related aprts	0.2		33100-405-671	HEADLIGHT ASSY.	1	1	A,CM
HEADLIGHT ASSY.	0.1	2	33101-300-673	RIM, HEADLIGHT	1		A,CM
			33101-405-671	RIM, HEADLIGHT	1	1	A,CM
		3	33103-300-003	SCREW, BEAM ADJUSTING	1		A,CM
			33103-346-670	SCREW, BEAM ADJUST	1	1	A,CM
		4	33107-300-003	SPRING, HEADLIGHT BEAM ADJUSTING	1	1	A,CM
		5	33117-001-023	NUT, HEADLIGHT BEAM ADJUSTING	1	1	A,CM
		6	33121-300-672	RING, RETAINING	1		A,CM
			33121-405-671	RING, RETAINING	1	1	A,CM
		7	33125-292-670	SCREW, UNIT HOLDER	2		A,CM
			93500-05008-0H	SCREW, PAN, 5X8	2	2	A,CM
		8	33128-292-670	NUT, UNIT HOLDER	2	2	A,CM
		9	33130-341-701	SOCKET, HEADLIGHT CORD	1		A,CM
			33130-300-671	SOCKET COMP., HEADLIGHT CORD	1	1	A,CM
		10	33153-300-671	RING, MOUNTING	1		A,CM
			33153-375-671	RING, MOUNTING	1	1	A,CM
		11	33321-341-701	BEAM UNIT, SEALED	1		A,CM
			33321-371-672	BEAM UNIT, SEALED (12V50/40W STANLEY)	1	1	A,CM
		12	33741-340-670	REFLECTOR, FR. REFLEX	2	2	A,CM
		13	33743-375-000	BASE, FR. REFLECTDR	2	2	A,CM
		14	61301-300-0208	CASE, HEADLIGHT	1	1	A,CM
		15	61302-300-000	COLLAR, HEADLIGHT CASE	2	2	A,CM
		16	61303-336-000	WASHER, HEADLIGHT CASE	2	2	A,CM
		17	61304-292-000	COLLAR, HEADLIGHT SETTING	3	3	A,CM

1978.07.01

FRAME GROUP

# F-1

## Headlight (A,CM)



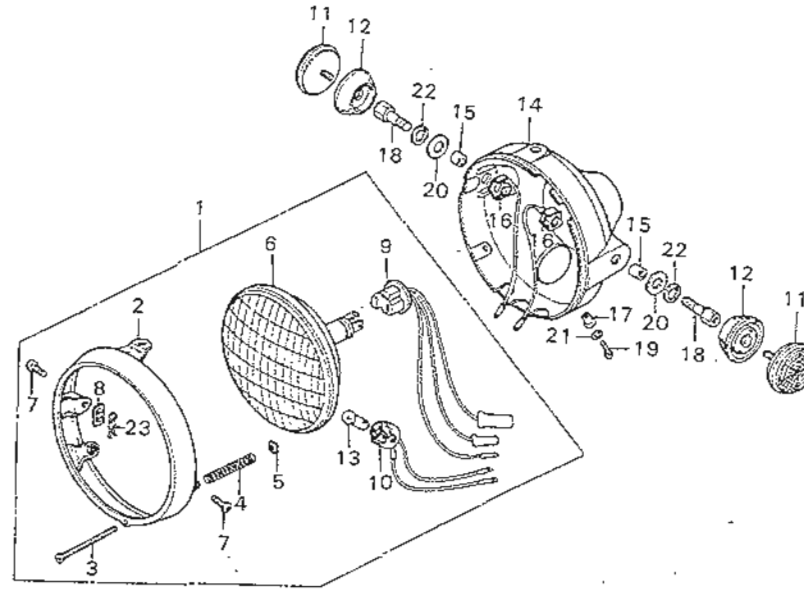
8404-8

Service item	F.R.T.	Ref. No.	Part No.	Description	Reqd. No.			Serial No.	Area code
					CB500 K3	CB550 K3	CB550 K4		
		18	90120-377-000	BOLT, HEADLIGHT STAY	2	2		A,CM	
		19	93500-03012-08	SCREW, PAN, 3X12	2			A,CM	
			93500-03008-1A	SCREW, PAN, 3X8		2		A,CM	
		20	93500-05016-08	SCREW, PAN, 5X16	3	3		A,CM	
		21	94101-04000	WASHER, PLAIN, 4MM	1			A,CM	
			33119-371-003	WASHER, BEAM ADJUST		1		A,CM	
		22	94101-10000	WASHER, PLAIN, 10MM	2	2		A,CM	
		23	94111-05000	WASHER, SPRING, 5MM	3	3		A,CM	
		24	94111-10000	WASHER, SPRING, 10MM	2	2		A,CM	
		25	94251-05000	PIN, LOCK, 5MM	2			A,CM	

1978.07.01

# F-1-1

## Headlight (DK,DM,U)



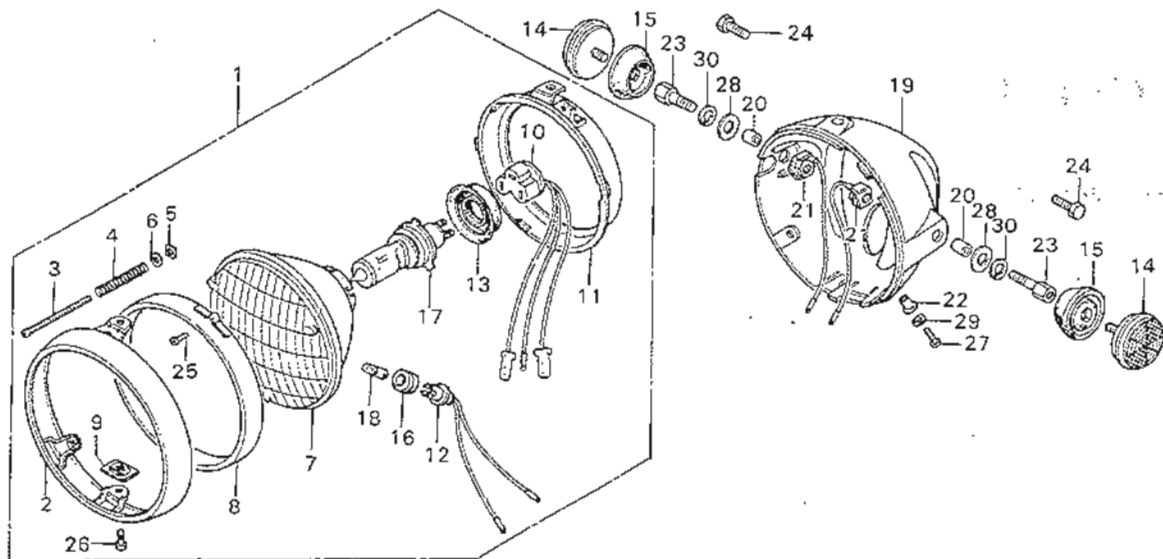
839C-18A

Service item	F.R.T.	Ref. No.	Part No.	Description	Reqd. No.				Serial No.	Area code
					CB500	CB550	K3	K3 K4		
HEADLIGHT CASE	0.3	1	33100-375-003	HEADLIGHT ASSY. (12V 50/40W)	1					DK,DM,U
HEADLIGHT UNIT and its related parts	0.2	2	33101-300-043	RIM, HEADLIGHT	1					DK,DM,U
HEADLIGHT ASSY.	0.1	3	33103-346-670	SCREW, BEAM ADJUST	1					DK,DM,U
		4	33107-300-003	SPRING, HEADLIGHT BEAM ADJUSTING	1					DK,DM,U
		5	33117-001-023	NUT, HEADLIGHT BEAM ADJUSTING	1					DK,DM,U
		6	33120-375-003	HEADLIGHT UNIT	1					DK,DM,U
		7	33125-087-761	SCREW, UNIT HOLDER	2					DK,DM,U
		8	33128-292-670	NUT, UNIT HOLDER	2					DK,DM,U
		9	33130-323-003	SOCKET COMP., HEADLIGHT	1					DK,DM,U
		10	33170-323-003	SOCKET COMP., MARKER LIGHT	1					DK,DM,U
		11	33741-340-670	REFLECTOR, FR. REFLEX	2					DK,DM,U
		12	33743-375-000	BASE, FR. REFLECTOR	2					DK,DM,U
		13	34903-071-003	BULB, MARKER LIGHT (12V 3W) (STANLEY)	1					DK,DM,U
		14	61301-300-0208	CASE, HEADLIGHT	1					DK,DM,U
		15	61302-300-000	COLLAR, HEADLIGHT CASE	2					DK,DM,U
		16	61303-336-000	WASHER, HEADLIGHT CASE	2					DK,DM,U
		17	61304-292-000	COLLAR, HEADLIGHT SETTING	3					DK,DM,U
		18	90120-377-000	BOLT, HEADLIGHT STAY	2					DK,DM,U
		19	93500-05016-08	SCREW, PAN, 5X16	3					DK,DM,U
		20	94101-10000	WASHER, PLAIN, 10MM	2					DK,DM,U
		21	94111-05000	WASHER, SPRING, 5MM	3					DK,DM,U
		22	94111-10000	WASHER, SPRING, 10MM	2					DK,DM,U
		23	94251-05000	PIN, LOCK, 5MM	2					DK,DM,U

1978.07.01

# F-1-2

## Headlight (E,ED,F,G)



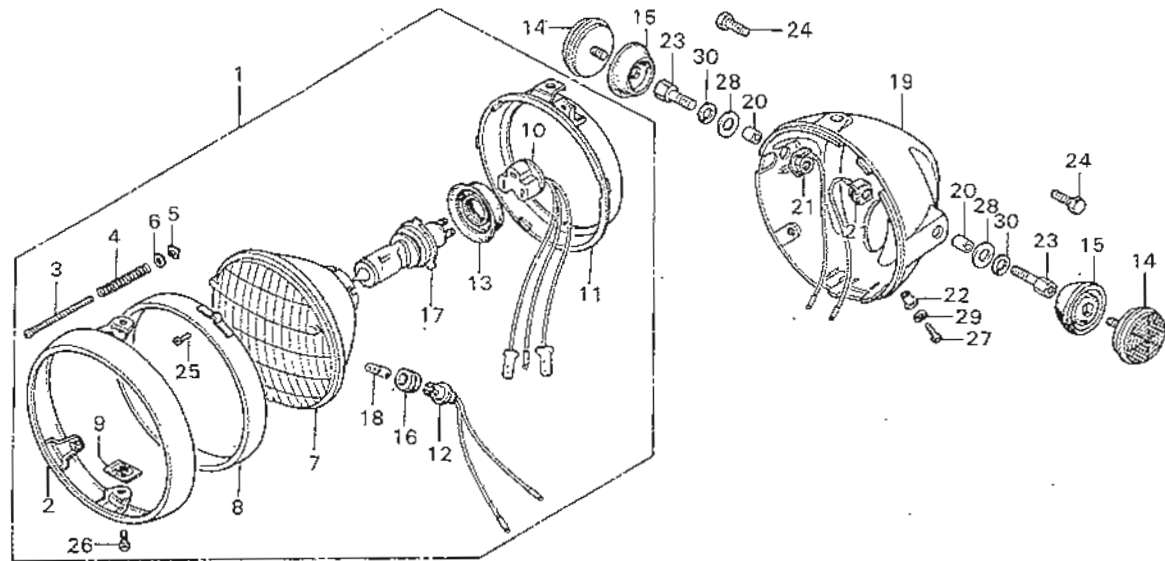
8405-58

Service item	F.R.T.	Ref. No.	Part No.	Description	Regd. No.			Area code
					CB500	CB550	Serial No.	
					K3	K3	K4	
HEADLIGHT CASE	0.3	1	33100-371-601	HEADLIGHT ASSY.	1			E
HEADLIGHT UNIT and its related parts	0.2		33100-371-611	HEADLIGHT ASSY.	1	1		ED,G
			33100-371-621	HEADLIGHT ASSY.	1			F
HEADLIGHT ASSY.	0.1	2	33101-405-671	RIM, HEADLIGHT	1	1		E,ED,F,G
		3	33103-346-670	SCREW, BEAM ADJUST	1	1		E,ED,F,G
		4	33107-300-003	SPRING, HEADLIGHT BEAM ADJUSTING	1	1		E,ED,F,G
		5	33117-001-023	NUT, HEADLIGHT BEAM ADJUSTING	1	1		E,ED,F,G
		6	33119-371-003	WASHER, BEAM ADJUST	1	1		E,ED,F,G
		7	33120-371-601	HEADLIGHT UNIT	1	1		E
			33120-371-611	HEADLIGHT UNIT	1	1		ED,F,G
		8	33121-405-671	RING, RETAINING	1	1		E,ED,F,G
		9	33128-292-670	NUT, UNIT HOLDER	2	2		E,ED,F,G
		10	33130-300-671	SOCKET COMP., HEADLIGHT CORD	1	1		E,ED,F,G
		11	33153-375-671	RING, MOUNTING	1	1		E,ED,F,G
		12	33170-390-611	SOCKET COMP., MARKER LIGHT	1	1		E,ED,F,G
		13	33180-371-601	COVER, BULB	1	1		E,ED,F,G
		14	33741-340-670	REFLECTOR, FR. REFLEX	2	2		E,ED,G
		15	33743-375-000	BASE, FR. REFLECTOR	2	2		E,ED,G
		16	33905-371-601	RUBBER, JOINT	1	1		E,ED,F,G
		17	34901-371-601	H4 BULB (12342/99) MFD.BY PHILIPS (LOCAL PROCUREMENT PART)	1	1		E,ED,G
			34901-371-621	H4 BULB (12342/99) MFD.BY PHILIPS (LOCAL PROCUREMENT PART)	1			F
		18	34903-388-611	BULB, POSITION (12V 4W) (LOCAL PROCUREMENT PART)	1	1		E,ED,F,G
		19	61301-300-0208	CASE, HEADLIGHT	1	1		E,ED,F,G

1978.07.01

# F-1-2

## Headlight (E,ED,F,G)



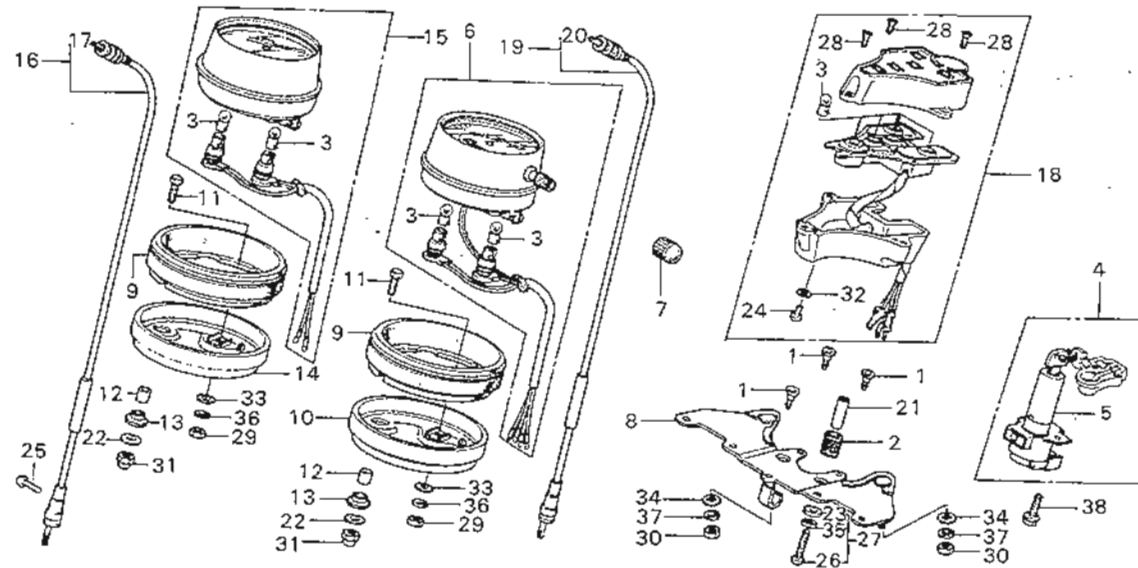
Courtesy of  Honda4Fun  
[www.honda4fun.com](http://www.honda4fun.com) [www.honda4fun.com](http://www.honda4fun.com)

B405-58

Service item	F.R.T.	Ref. No.	Part No.	Description	Reqd. No.			Serial No.	Area code
					CB500 K3	CB550 K3	K4		
		20	61302-300-000	COLLAR, HEADLIGHT CASE	2	2		E,ED,F,G	
		21	61303-336-000	WASHER, HEADLIGHT CASE	2	2		E,ED,F,G	
		22	61304-292-000	COLLAR, HEADLIGHT SETTING	3	3		E,ED,F,G	
		23	90120-377-000	BOLT, HEADLIGHT STAY	2	2		E,ED,G	
		24	92000-10025-08	BOLT, HEX., 10X25		2		F	
		25	93500-03008-1A	SCREW, PAN, 3X8	2	2		E,ED,F,G	
		26	93500-05008-0H	SCREW, PAN, 5X8	2	2		E,ED,F,G	
		27	93500-05016-0B	SCREW, PAN, 5X16	3	3		E,ED,F,G	
		28	94101-10000	WASHER, PLAIN, 10MM	2	2		E,ED,F,G	
		29	94111-05000	WASHER, SPRING, 5MM	3	3		E,ED,F,G	
		30	94111-10000	WASHER, SPRING, 10MM	2	2		E,ED,F,G	

# F-2

## Speedometer • Tachometer • Pilot lamp • Key



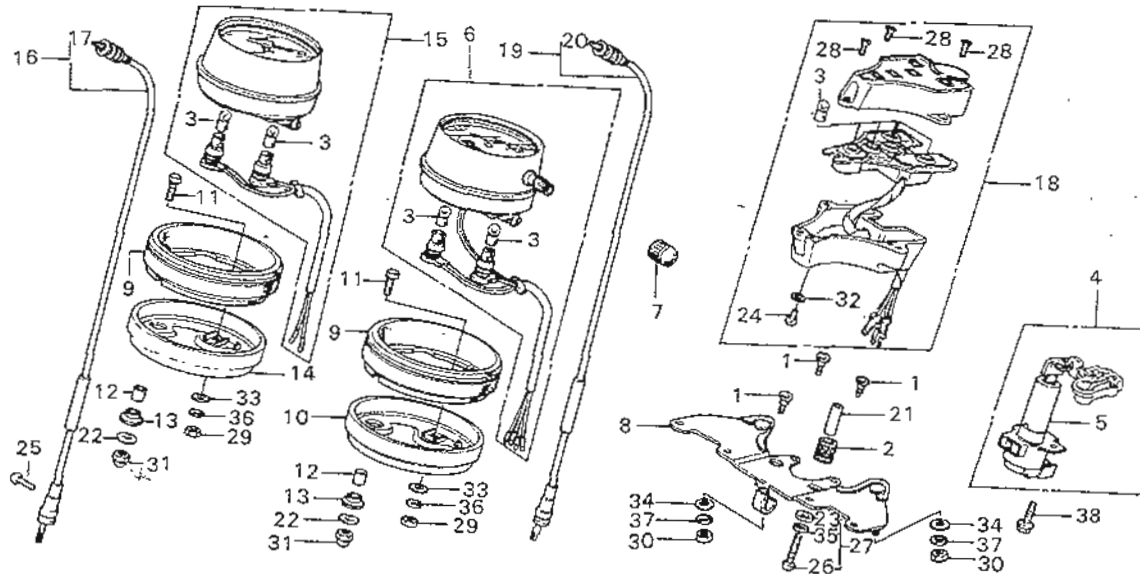
6404-9A

Service item	F.R.T.	Ref. No.	Part No.	Description	Reqd. No.			Serial No.	Area code
					CB500	CB550	K3 K3 K4		
METER BRACKET	0.5	1	32701-392-700	STOPPER, METER BRACKET	3	3	3		
KEY SET	0.4	2	32702-392-700	GROMMET, METER BRACKET	2	2	2		
SPEEDOMETER ASSY.	0.3	3	34902-259-000	BULB, DASH (12V3.4W)	9	9	9		
• TACHOMETER ASSY.		4	35010-377-007	KEY SET (HONDA LOCK)	1			2015288	A,CM,DK,DM,U
• COMBINATION PILOT ASSY.			35010-410-610	KEY SET	1			1003397	
SPEEDOMETER CUSHION/UNDER PLATE	0.2		35010-410-000	KEY SET	1			2017799	E,ED,F,G
• TACHOMETER CABLE					1			2015289	DK,DM,U
SPEEDOMETER CABLE ASSY./INNER CABLE	0.1		35010-410-611	KEY SET	1			2015209	A,CM
• TACHOMETER INNER CABLE					1			1003398	
• DUSH BULB			35010-393-770	KEY SET	1			2017800	E,ED,F,G
					1			2017855	DK,DM,U
		5	35100-377-007	SWITCH ASSY., COMBINATION (HONDA LOCK)	1	1			A,CM,DK,DM,U
			35100-377-612	SWITCH ASSY., COMBINATION (HONDA LOCK)	1	1			E,ED,F,G
		6	37200-390-682	SPEEDOMETER ASSY. (KPH)	1	1			DK,ED,F,G,U
			37200-404-671	SPEEDOMETER ASSY. (MPH)	1	1			A,CM,DM,E
				(NIPPON SEIKI)					
			37200-404-672	SPEEDOMETER ASSY. (MPH ND)	1				A,CM,DM,E
			37200-404-781	SPEEDOMETER ASSY. (KPH/MPH NIPPON SEIKI)		1			
			37200-404-782	SPEEDOMETER ASSY. (KPH/MPH ND)		1			
		7	37202-371-610	CAP, TRIP METER KNOB	1				G
		8	37211-390-000	BRACKET, METER	1	1	1		
		9	37235-323-700	CUSHION, SPEEDOMETER	2	2	2		
		10	37236-404-000	PLATE, SPEEDOMETER UNDER	1	1	1		
		11	37238-323-700	BOLT, METER SET, 6MM	4	4	4		

1978.07.01

# F-2

## Speedometer • Tachometer • Pilot lamp • Key



Courtesy of  Honda4Fun  
www.honda4fun.com www.honda4fun.com

B404-9A

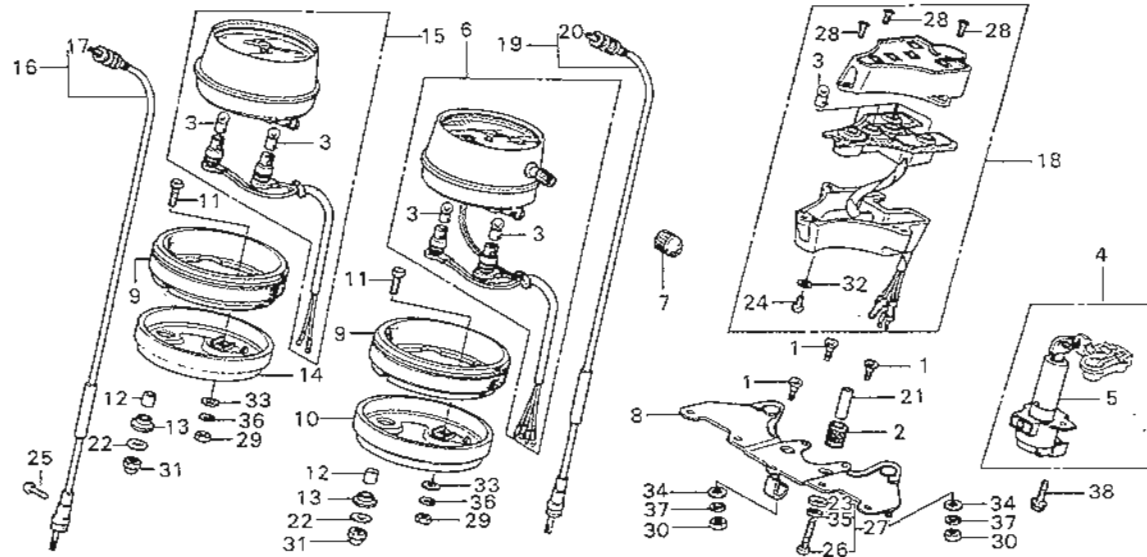
Service item	F.R.T.	Ref. No.	Part No.	Description	Reqd. No.			Serial No.	Area code
					CB500	CB550	K3 K3 K4		
		12	37243-323-700	COLLAR, METER SET	4	4	4		
		13	37244-307-670	RUBBER, METER SETTING	4	4	4		
		14	37246-404-000	PLATE, TACHOMETER UNDER	1	1	1		
		15	37250-404-008	TACHOMETER ASSY.	1	1			DK,DM,E,ED,F,G,U
			37250-404-671	TACHOMETER ASSY.		1			A,CH
			37250-404-672	TACHOMETER ASSY.		1			A,CH
			37250-404-771	TACHOMETER ASSY.			1		
			37250-404-772	TACHOMETER ASSY. (NO) (NIPPON SEIKI)			1		
		16	37260-390-000	CABLE ASSY., TACHOMETER	1	1	1		
		17	37261-390-000	CABLE, TACHOMETER INNER	1	1	1		
		18	37600-377-018	PILOT ASSY., COMBINATION (NIPPON SEIKI)	1	1	1		
		19	44830-390-000	CABLE ASSY., SPEEDOMETER	1	1	1		
		20	44831-323-000	CABLE, SPEEDOMETER INNER	1	1	1		
		21	84706-375-000	COLLAR, NUMBER BRACKET SET	2	2	2		
		22	90545-323-700	WASHER, 6.5X18	4	4	4		
		23	90581-098-950	WASHER, PLAIN, 5X18		2		2011715	
		24	93500-05006-0G	SCREW, PAN, 5X6	1	1	1		
		25	93500-05020-0A	SCREW, PAN, 5X20	1	1	1		
		26	93500-05032-0A	SCREW, PAN, 5X32		2		2011715	
		27	93894-05028-00	SCREW-WASHER, 5X28	2	2			
						2		2011716	
		28	93902-24280	SCREW, TAPPING, 4X10	3	3	3		
		29	94001-06070	NUT, HEX., 6MM	4	4	4		
		30	94001-08070-05	NUT, HEX., 8MM	2	2	2		

1978.07.01



# F-2

Speedometer • Tachometer •  
Pilot lamp • Key



Courtesy of  Honda4Fun  
www.honda4fun.com www.honda4fun.com

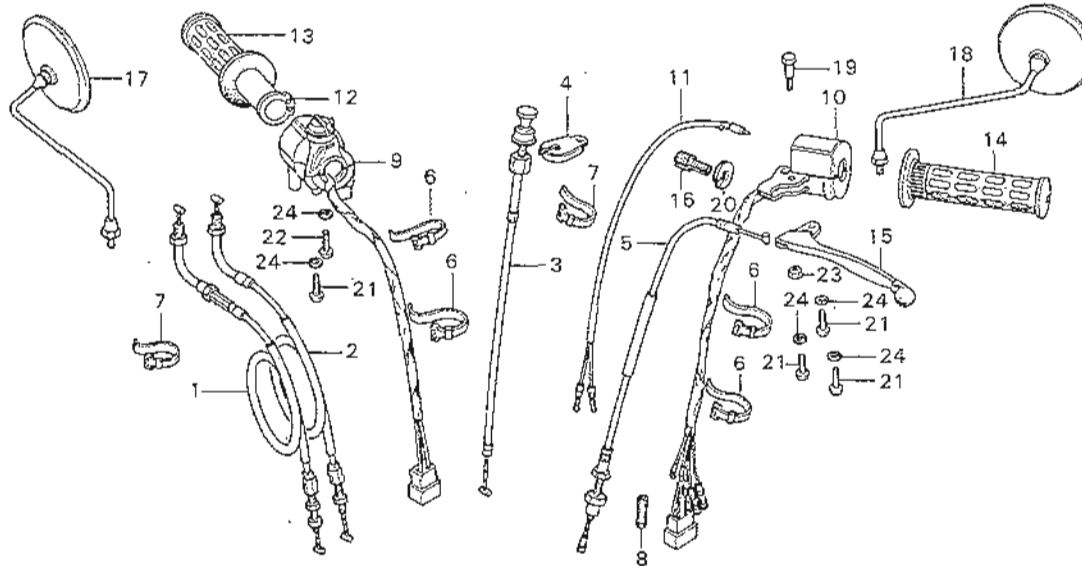
B404-9A

Service item	F.R.T.	Ref. No.	Part No.	Description	Reqd. No.			Serial No.	Area code
					CB500 K3	CB550 K3	CB550 K4		
		31	94021-06020	NUT, CAP, 6MM	4	4	4	2011715	
		32	94101-05700	WASHER, PLAIN, 5MM	1	1	1		
		33	94101-06700	WASHER, PLAIN, 6MM	4	4	4		
		34	94101-08700	WASHER, PLAIN, 8MM	2	2	2		
		35	94111-05000	WASHER, SPRING, 5MM			2		
		36	94111-06700	WASHER, SPRING, 6MM	4	4	4		
		37	94111-08700	WASHER, SPRING, 8MM	2	2	2		
		38	95700-06016-00	BOLT, FLANGE, 6X16	2	2	2		

1978.07.01

# F-3

## Handle lever • Switch • Cable



8404-10A

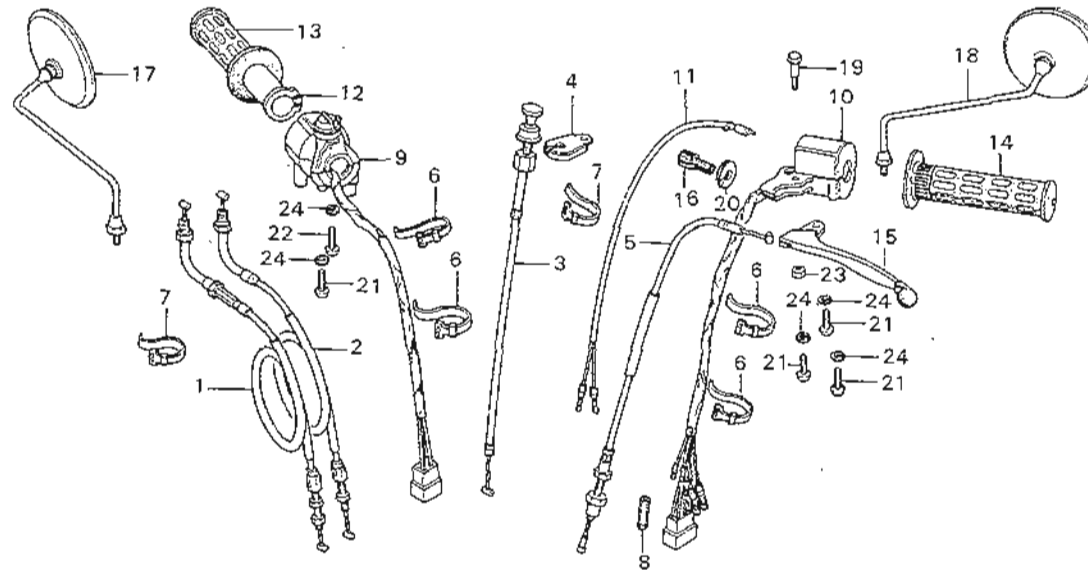
Service item	F R.T.	Ref. No.	Part No.	Description	Reqd. No.			Serial No.	Area code
					CB500	CB550	K3 K3 K4		
THROTTLE CABLE • One or all	0.5	1	17910-404-610	CABLE COMP. A, THROTTLE	1			1003607 2019802	E,ED,F,G A,CM,DK,DM,U
CLUTCH CABLE • STARTER KILL SWITCH ASSY.	0.4		17910-404-670 17910-405-610	CABLE COMP. A, THROTTLE CABLE COMP. A, THROTTLE	1	1	1003608 2019803		E,ED,F,G
WINKER SWITCH ASSY.	0.3	2	17920-404-610	CABLE COMP. B, THROTTLE	1			1003607 2019802	E,ED,F,G A,CM,DK,DM,U
CLUTCH LEVER SWITCH • CHOKE CABLE COMP. • THROTTLE GRIP PIPE	0.2		17920-404-670 17920-405-610	CABLE COMP. B, THROTTLE CABLE COMP. B, THROTTLE	1	1	1003608 2019803		E,ED,F,G
HANDLE GRIP • STEERING HANDLE LEVER	0.1	3	17950-404-670	CABLE COMP., CHOKE	1	1			A,CM,DK,DM,U E,ED,F,G
		4	17951-404-670	STAY, CHOKE CABLE	1	1			
		5	22870-374-000 22870-404-610	CABLE COMP., CLUTCH CABLE COMP., CLUTCH	1	1			
		6	32161-404-000	BAND B1, WIRE		4			A,CM,DK,DM,U
		7	32161-404-610	BAND B1, WIRE	2	2			E,ED,F,G
		8	32177-410-610	TUBE, CONNECTOR	1	1			E,ED,F,G
		9	35130-404-671 35150-404-003	SWITCH ASSY., STARTER KILL SWITCH ASSY., STARTER KILL	1	1			A,CM DK,DM,E,ED,F,G,U
		10	35200-404-003 35200-404-671	SWITCH ASSY., WINKER SWITCH ASSY., WINKER	1	1			DK,DM,E,ED,F,G,U A,CM
		11	35360-341-000	SWITCH ASSY., CLUTCH LEVER	1	1	1		
		12	53141-300-010	PIPE, THROTTLE GRIP	1	1	1		
		13	53165-390-780	RUBBER, R. GRIP	1	1	1		
		14	53166-390-780	RUBBER, L. GRIP	1	1	1		
		15	53190-369-700	LEVER COMP., L. STEERING	1	1	1		

HANDLE

1978.07.01

# F-3

## Handle lever • Switch • Cable

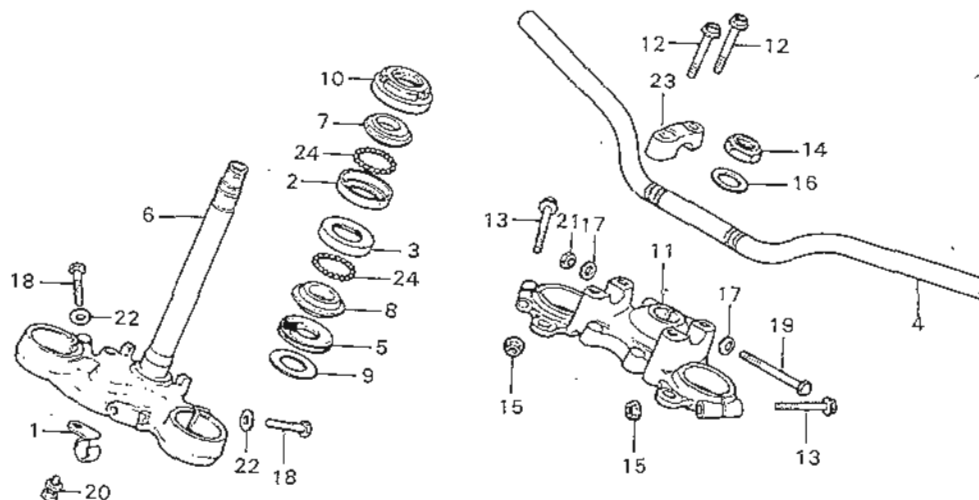


8404-10A

Service item	F.R.T.	Ref. No.	Part No.	Description	Reqd. No.			Serial No.	Area code
					CB500 K3	CB550 K3	CB550 K4		
		16	53192-268-000	BOLT, CLUTCH WIRE ADJUSTING	1	1	1		
		17	88110-304-621	MIRROR, R. BACK		1		F	
			88110-333-611	MIRROR, R. BACK	1	1	1	A, CH, DK, DM, E, ED, G	
			88110-369-650	MIRROR, R. BACK		1		U	
		18	88120-304-621	MIRROR, L. BACK			1	F	
			88120-333-611	MIRROR, L. BACK	1	1	1	A, CH, DK, DM, E, ED, G	
			88120-369-650	MIRROR, L. BACK		1		U	
		19	90114-310-000	BOLT, HANDLE LEVER PIVOT	1	1	1		
		20	90321-315-670	NUT, FIXING	1	1	1		
		21	93500-05025-0A	SCREW, PAN, 5X25	4	4	4		
		22	93500-05032-0A	SCREW, PAN, 5X32	1	1	1		
		23	94001-06000	NUT, HEX., 6MM	1	1	1		
		24	94111-05000	WASHER, SPRING, 5MM	5	5	5		

# F-4

Handle pipe •  
Top bridge • Stem



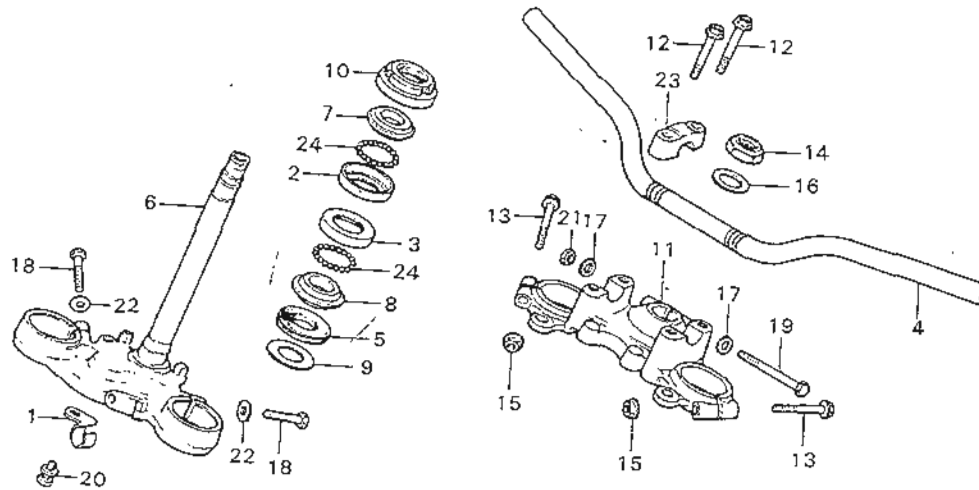
B406-11A

Service item	F.R.T.	Ref. No.	Part No.	Description	Reqd. No.			Serial No.	Area code
					CB500	CB550	K3 K3 K4		
STEERING HANDLE PIPE	1.0	1	32123-390-000	CLIP, WIRE HARNESS	1	1	1		
STEERING BALL RACE * One or all	1.0	2	50301-268-305	RACE, STEERING TOP BALL	1	1	1		
		3	50302-268-305	RACE, STEERING BOTTOM BALL	1	1	1		
STEERING STEM and its related parts	1.1	4	53100-404-610	PIPE, STEERING HANDLE	1	1		E, ED, F, G	
FORK TOP BRIDGE	0.6	5	53100-404-670	PIPE, STEERING HANDLE	1	1	1	A, CH, DK, DM, U	
STEERING HEAD TOP THREAD/ TOP CONE RACE	0.5	5	53124-250-000	DUST SEAL, STEERING HEAD	1	1	1		
		6	53200-390-000ZA	STEM COMP., STEERING *NH-1*		1	1	A, CH, DK, DM, U	
			53200-390-611ZA	STEM COMP., STEERING *NH-1*		1	1	E, ED, F, G	
		7	53211-268-305	RACE, STEERING TOP CONE	1	1	1		
		8	53212-250-305	RACE, STEERING BOTTOM CONE	1	1	1		
		9	53215-250-000	WASHER, STEERING HEAD DUST	1	1	1		
		10	53220-286-000	THREAD COMP., STEERING HEAD SEAL TOP	1	1	1		
		11	53230-390-010	BRIDGE, FORK TOP	1	1	1		
		12	90111-362-000	BOLT, FLANGE, 8X36	4	4	4		
		13	90155-369-000	BOLT, FLANGE, 7X54	2	2	2		
		14	90304-323-670	NUT, STEERING STEM		1	1	A, CH	
			95020-11300	NUT A3, STEERING STEM		1	1	DK, DM, E, ED, F, G, U	
		15	90355-369-000	NUT, FLANGE, 7MM	2	2	2		
		16	90503-283-000	WASHER, STEERING STEM	1	1	1		
		17	90555-283-000	WASHER, SPECIAL, 8MM	2	2	2		
		18	92000-10035-0A	BOLT, HEX., 10X35	2	2	2		
		19	93000-08074-0B	BOLT, HEX., 8X74	1	1	1		
		20	93481-08020-00	BOLT-WASHER, 8X20	1	1	1		
		21	94001-08020-05	NUT, HEX., 8MM	1	1	1		

1978-07.01

# F-4

Handle pipe •  
Top bridge • Stem



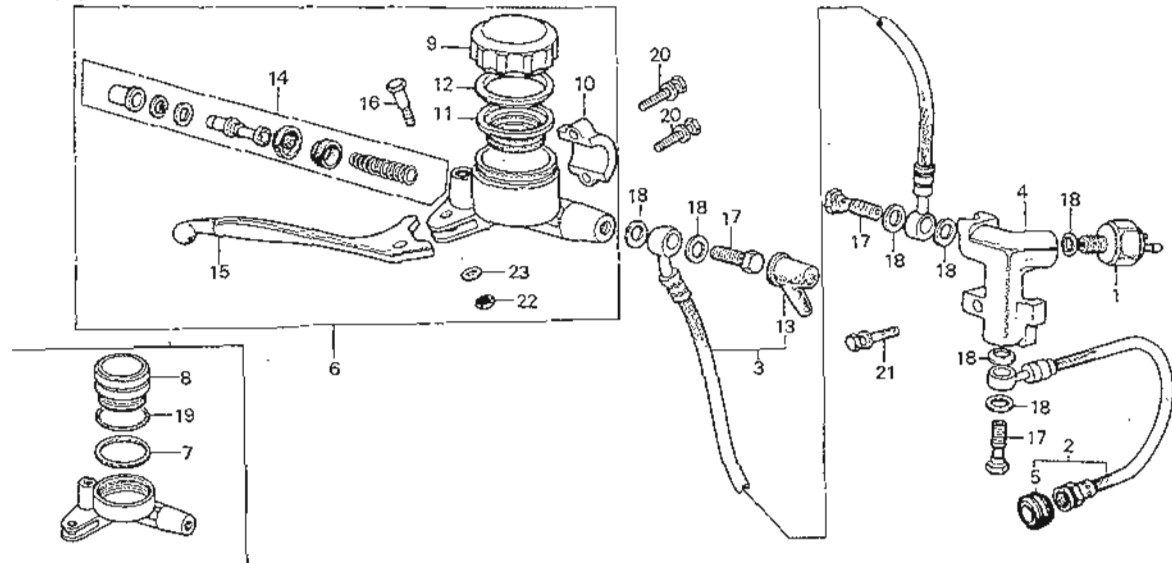
B404-11A

Service item	F.R.T.	Ref. No.	Part No.	Description	Reqd. No.			Serial No.	Area code
					C8500	CB550	K3 K4		
		22	94101-10000	WASHER, PLAIN, 10MM	2	2	2		
		23	95014-22200	HOLDER B2, HANDLE PIPE UPPER	2	2	2		
		24	96211-08000	BALL, STEEL, #8 (1/4)	37	37	37		

1978.07.01

# F-5

## Master cylinder • Brake hose



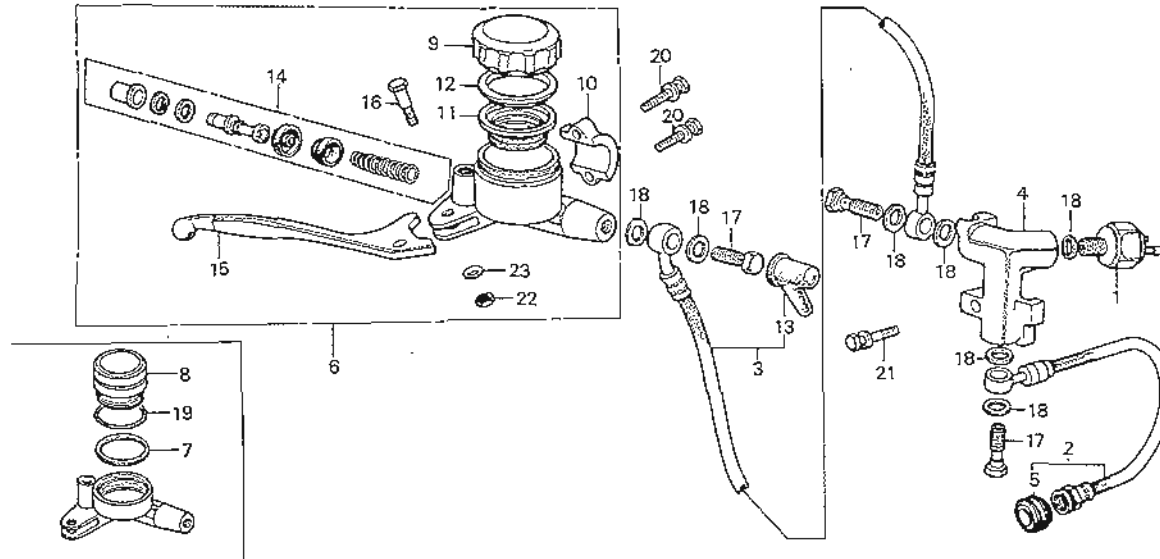
B404-12A

Service item	F.R.T.	Ref. No.	Part No.	Description	Reqd. No.			Serial No.	Area code
					CB500	CB550	K3 K3 K4		
MASTER CYLINDER SET	0.4	1	35350-300-016	SWITCH, STOP (NAILS)	1	1	1		
MASTER CYLINDER ASSY.	0.3	2	45125-379-003	HOSE A ASSY., FR. BRAKE (NICHIRIN)	1			1003572	
• 3 WAY JOINT						1		2018590	DK,DM,E,ED,F,G,U
• FRONT BRAKE HOSE						1		2100738	
• One or all at hose			45125-405-003	HOSE ASSY. A, FR. BRAKE (NICHIRIN)	1			1003573	
• OIL CUP						1		2018591	DK,DM,E,ED,F,G,U
STOP SWITCH	0.2					1		2100739	
MASTER CYLINDER HOLDER	0.1	3	45126-390-621	HOSE ASSY. B, FR. BRAKE	1	1			E,ED,F,G
• OIL CUP CAP/DIAPHRAGM			45126-404-003	HOSE ASSY. B, FR. BRAKE		1	1		A,CM,DK,DH,U
• STEERING HANDLE LEVER		4	45127-323-000	JOINT, THREE WAY	1	1	1		
		5	45146-300-000	GROMMET, BRAKE HOSE	1	1	1		
		6	45500-390-621	CYLINDER ASSY., MASTER (NISSHIN)	1	1			E,ED,F,G
			45500-390-651	CYLINDER ASSY., MASTER (NISSHIN)		1			U
			45500-390-681	CYLINDER ASSY., MASTER (NISSHIN)		1			DK,DH
			45500-404-671	CYLINDER ASSY., MASTER (NISSHIN)		1	1		A,CM
		7	45510-300-620	PACKING, OIL CUP	1	1			E,ED,F,G
		8	45511-300-620	CUP, OIL	1	1			E,ED,F,G
		9	45513-341-671	CAP, OIL CUP	1	1			DK,DM,E,ED,F,G
			45513-341-771	CAP, OIL CUP		1	1		A,CM
			45513-371-651	CAP, OIL CUP		1			U
		10	45517-300-003	HOLDER, MASTER CYLINDER (NISSIN)	1	1	1		

1978.07.01

# F-5

## Master cylinder • Brake hose



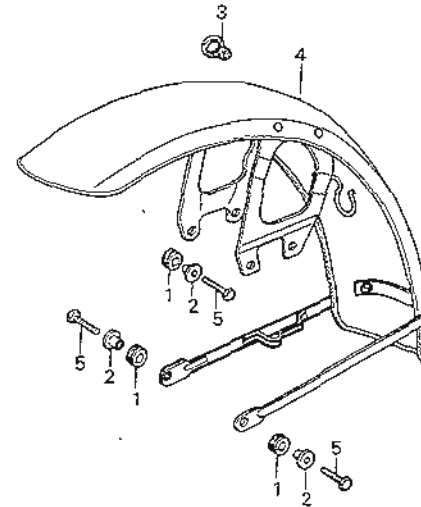
B404-12A

Service item	F.R.T.	Ref. No.	Part No.	Description	Reqd. No.			Serial No.	Area code
					CB500 K3	CB550 K3	K4		
		11	45520-300-000	DIAPHRAGM	1	1	1		
		12	45521-300-010	PLATE, DIAPHRAGM	1	1	1		
		13	45522-300-010	BOOT, MASTER CYLINDER	1	1	1		
		14	45530-404-305	CYLINDER SET, MASTER	1	1	1		
		15	53175-369-003	LEVER, R. STEERING HANDLE (TOYO)	1	1	1		
		16	90114-300-000	BOLT, HANDLE LEVER PIVOT	1	1	1		
		17	90145-300-000	BOLT, OIL	3	3	3		
		18	90545-300-000	WASHER, OIL BOLT	7	7	7		
		19	91305-300-620	O-RING, 44X48	1	1			E, ED, F, G
		20	93482-06025-00	BOLT-WASHER, 6X25	2	2	2		
		21	93482-06028-00	BOLT-WASHER, 6X28	1	1	1		
		22	94002-06000	NUT, HEX., 6MM	1	1	1		
		23	94101-06000	WASHER, PLAIN, 6MM	1	1	1		

1978.07.01

# F-6

## Front fender



B404-13

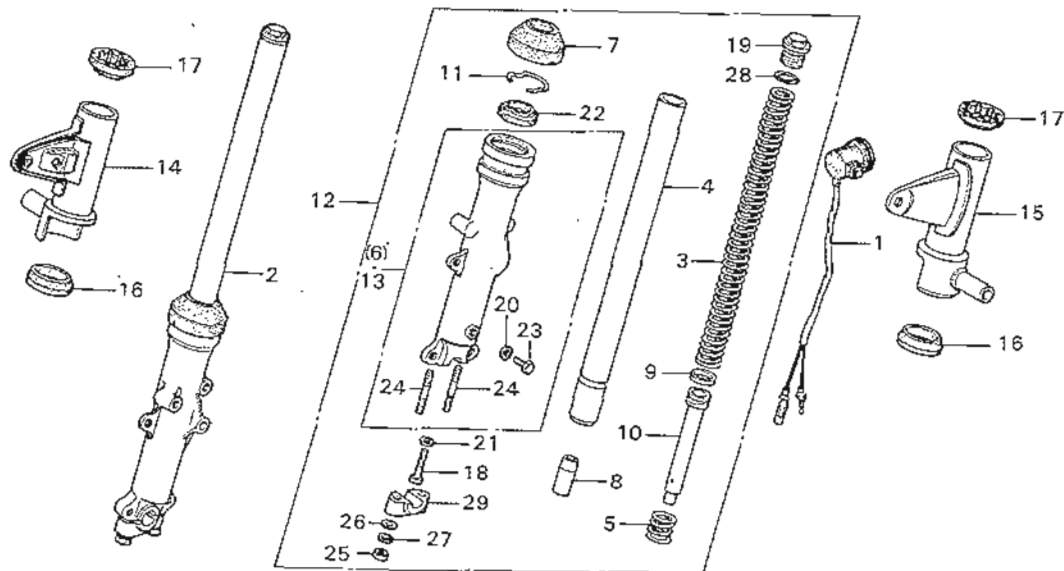
Service item	F.R.T.	Ref. No.	Part No.	Description	Reqd. No.			Serial No.	Area code
					CB500 K3	CB550 K3	CB550 K4		
FRONT FENDER	0.5	1	40513-310-000	RUBBER, CHAIN CASE MOUNT	6	4	4		A, CH, DK, DM, E, F, G, U
WIRE GROMMET	0.1	2	40514-310-000	COLLAR, CHAIN CASE	6	4	4		ED A, CH, DK, DM, E, F, G, U
		3	45451-283-000	GROMMET, WIRE	6	1	1		ED
			45451-367-690	GROMMET, WIRE		1	1	2111875	
		4	61100-341-700XW	FENDER COMP., FR.	1	1	1	2111876	ED
			61100-390-671	FENDER COMP., FR.		1	1		A, CH, DK, DM, E, F, G, U
		5	92000-06020	BOLT, HEX., 6X20	6	4	4		A, CH, DK, DM, E, F, G, U
					6	6			ED

1978.07.01



# F-7

## Front fork



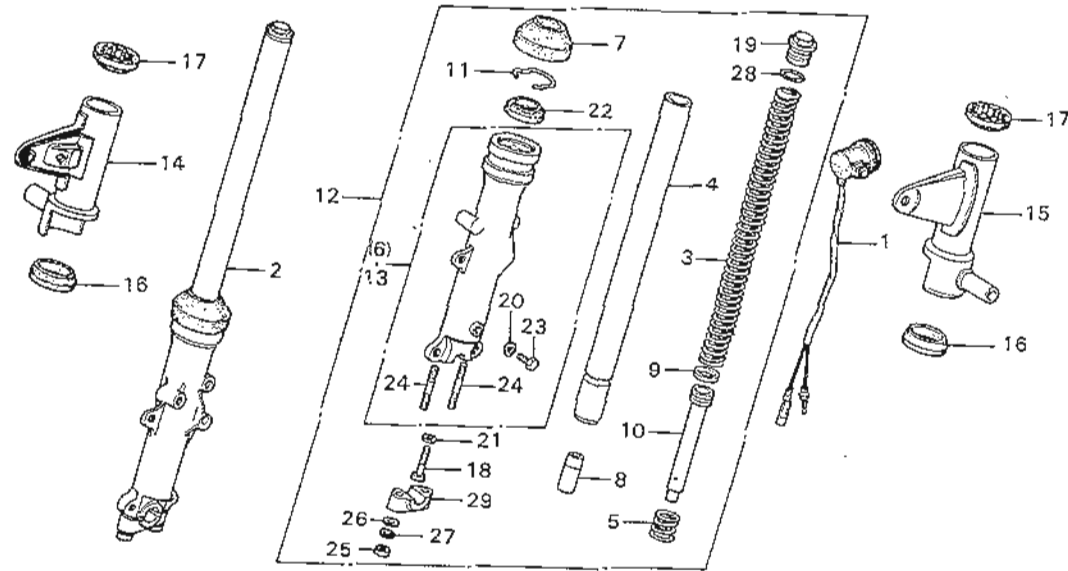
8404-14

Service item	F.R.T.	Ref. No.	Part No.	Description	Reqd. No.			Serial No.	Area code
					CB500	CB550	K3 K4		
FRONT FORK BOTTOM CASE COMP. * One motorcycle 1.5	0.9	1	38400-341-674	BUZZER ASSY., WINKER	1	1	1	A,CM,DK,DM,U	
FRONT FORK OIL SEAL * One motorcycle 1.1	0.7	2	51400-404-003	FORK ASSY., R. FR. (SHOWA)	1	1	1		
FRONT FORK PIPE/BOTTOM PIPE and its related parts	0.6	3	51401-404-003	SPRING, FR. CUSHION (SHOWA)	2	2	2		
FRONT FORK COVER * One motorcycle 0.9	0.7	4	51410-404-003	PIPE COMP., FR. FORK (SHOWA)	2	2	2		
FRONT FORK ASSY. * One motorcycle 0.8	0.5	5	51412-340-000	SPRING, FR. FORK REBOUND	2	2	2		
WINKER BUZZER	0.3	6	51421-393-003	CASE COMP., R. BOTTOM (SHOWA)	1	1	1		
FRONT CUSHION SPRING	0.2	7	51425-375-003	DUST SEAL, FR. FORK	2	2	2		
AXLE HOLDER	0.1	8	51425-375-005	DUST SEAL, FR. FORK	2	2	2		
		9	51432-371-003	PIECE, OIL LOCK	2	2	2		
		10	51437-329-010	RING, PISTON	2	2	2		
		11	51440-404-003	PIPE, FR. FORK BOTTOM (SHOWA)	2	2	2		
		12	51466-375-000	RING, OIL SEAL STOPPER	2	2	2		
		13	51500-404-003	FORK ASSY., L. FR. (SHOWA)	1	1	1		
		14	51521-393-003	CASE COMP., L. BOTTOM (SHOWA)	1	1	1		
		15	51602-390-610	COVER, R. FR. FORK	1	1	1	E,ED,F,G	
			51602-404-670	COVER, R. FR. FORK	1	1	1	A,CM,DK,DM,U	
			51606-390-610	COVER, L. FR. FORK	1	1	1	E,ED,F,G	
			51606-404-670	COVER, L. FR. FORK	1	1	1	A,CM,DK,DM,U	
		16	51622-292-010	CUSHION, FR. FORK COVER LOWER	2			A,CM	
			51622-323-000	CUSHION B, FR. FORK COVER	2	2		DK,DM,E,ED,F,G,U	
		17	61315-340-000	CUSHION, HEADLIGHT STAY	2	2	2		
		18	90116-283-010	BOLT, SOCKET, 8MM	2	2	2		
		19	90123-300-000	BOLT, FR. FORK	2	2	2		
		20	90543-273-000	PACKING, FR. FORK DRAIN COCK	2	2	2		
		21	90544-283-000	WASHER, SPECIAL, 8MM	2	2	2		

1978.07-01

# F-7

## Front fork

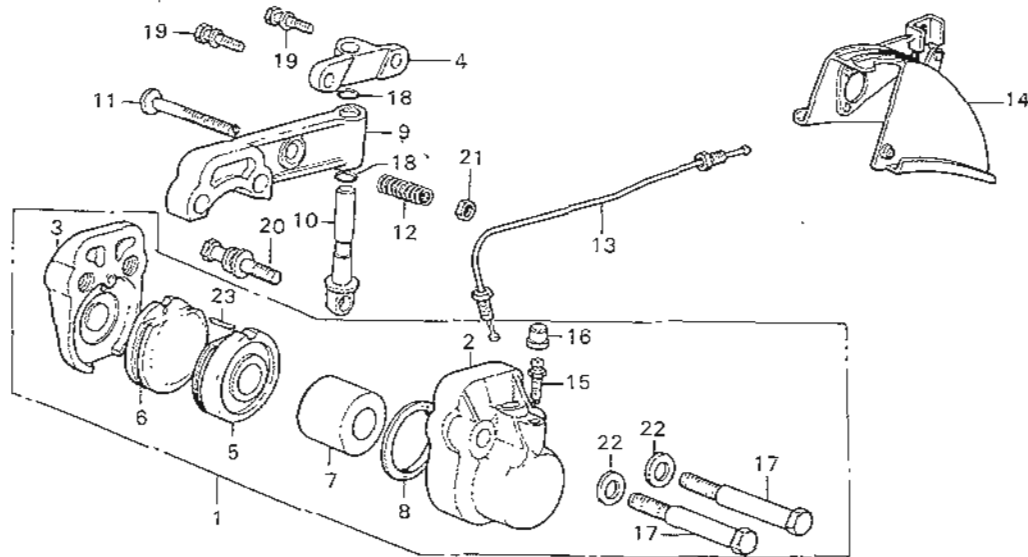


8404-14

Service item	F.R.T.	Ref. No.	Part No.	Description	Reqd. No.			Serial No.	Area code
					CB500	CB550	K3 K3 K4		
		22	91255-300-033	OIL SEAL, 35X48X11	2	2	2		
		23	92000-06010	BOLT, HEX., 6X10	2	2	2		
		24	92700-08050-30	BOLT, STUD, 8X50	4	4	4		
		25	94030-08000	NUT, HEX., 8MM	4	4	4		
		26	94101-08000	WASHER, PLAIN, 8MM	4	4	4		
		27	94111-08000	WASHER, SPRING, 8MM	4	4	4		
		28	94608-50000	O-RING, 23X2.8	2	2	2		
		29	95014-41000	HOLDER 1C, FR. FORK AXLE	2	2	2		

# F-8

## Front brake caliper



Courtesy of  Honda4Fun  
www.hondakour.com www.honda4fun.com

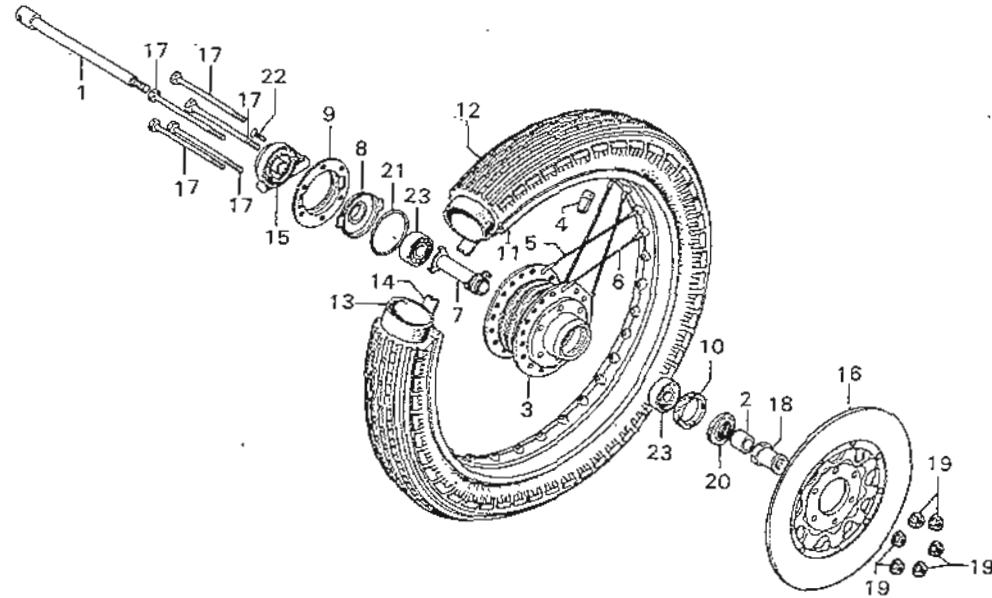
8404-32A

Service item	F.R.T.	Ref. No.	Part No.	Description	Reqd. No.			Serial No.	Area code
					CB500	CB550	K3 K3 K4		
CALIPER A./PISTON	0.4	1	45100-390-003	CALIPER ASSY.	1	1	1		
CALIPER ASSY.	0.3	2	45101-323-013	CALIPER A (TOKIKO)	1	1	1		
• CALIPER HOLDER		3	45102-323-003	CALIPER B (TOKIKO)	1	1	1		
• FRONT BRAKE PIPE		4	45104-317-700	JOINT, CALIPER HOLDER	1	1	1		
CALIPER B./PAD B.	0.2	5	45105-390-003	PAD COMP. A (TOKIKO)	1	1	1		
• PAD A.			45105-390-006	PAD COMP. A (ASAHI)	1	1	1		
• BLEEDER VALVE		6	45106-390-003	PAD COMP. B (TOKIKO)	1	1	1		
• CALIPER HOLDER PIN			45106-390-006	PAD COMP. B (ASAHI)	1	1	1		
DISK COVER	0.1	7	45107-323-020	PISTON COMP.	1	1	1		
• CALIPER HOLDER JOINT		8	45108-300-003	SEAL, PISTON (TOKIKO)	1	1	1		
		9	45115-390-003	HOLDER, CALIPER	1	1	1		
		10	45116-323-020	PIN, CALIPER HOLDER	1	1	1		
		11	45117-341-700	BOLT, CALIPER ADJUSTING	1	1	1		
		12	45119-300-020	SPRING, CALIPER ADJUSTING	1	1	1		
		13	45128-323-020	PIPE, FR. BRAKE	1	1	1		
		14	45140-323-670	COVER COMP., DISK	1	1	1		
		15	45224-579-013	VALVE, BLEEDER (TOKIKO)	1	1	1		
		16	45225-579-013	CAP, BLEED SCREW (TOKIKO)	1	1	1		
		17	90165-323-000	BOLT, CALIPER SETTING	2	2	2		
		18	91259-333-000	O-RING, 9.5X1.7	2	2	2		
		19	93482-06025-00	BOLT-WASHER, 6X25	2	2	2		
		20	93483-08035-00	BOLT-WASHER, 8X35	1	1	1		
		21	94001-06000	NUT, HEX., 6MM	1	1	1		
		22	94102-10000	WASHER, PLAIN, 10MM	2	2	2		
		23	94201-16220	PIN, SPLIT, 1.6X22	1	1	1		

1978.07.01

# F-9

## Front wheel - Disk



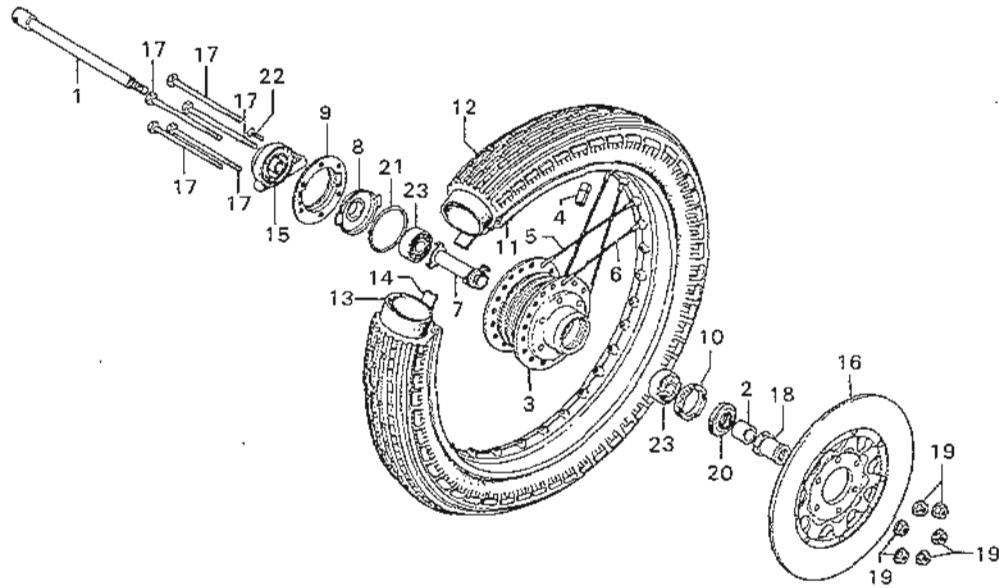
9392-26

Service item	F.R.T.	Ref. No.	Part No.	Description	Reqd. No.			Serial No.	Area code
					CB500	CB550	K3 K4		
FRONT WHEEL HUB	2.9	1	44301-393-000	AXLE, FR. WHEEL	1	1	1		
FRONT WHEEL RIM	2.2	2	44311-300-000	COLLAR, FR. WHEEL SIDE	1	1	1		
FRONT WHEEL TIRE/TUBE/TIRE FLAP	0.9	3	44601-300-040	HUB, FR. WHEEL	1	1	1		
BALANCER	0.8	4	44606-283-000	BALANCER (20G)	N	N	N		
			44607-283-000	BALANCER (15G)	N	N	N		
FRONT AXLE DISTANCE COLLAR/ BALL BEARING	0.6		44608-283-000	BALANCER (10G)	N	N	N		
• Add 0.3 at ball bearing			44609-283-000	BALANCER (5G)	N	N	N		
FRONT WHEEL BEARING RETAINER	0.5	5	44606-300-003	SPOKE A, FR. (DAIDO) (INSIDE)	20	20	20		
FRONT BRAKE DISK/GEAR BOX RETAINER and their related parts	0.4	6	44607-300-003	SPOKE B, FR. (DAIDO) (OUTSIDE)	20	20	20		
SPEEDOMETER GEAR BOX/FRONT WHEEL AXLE	0.3	7	44620-300-020	COLLAR, FR. AXLE DISTANCE	1	1	1		
		8	44641-375-000	RETAINER COMP., GEAR BOX	1	1	1		
		9	44642-300-020	COVER, GEAR BOX RETAINER	1	1	1		
		10	44643-300-000	RETAINER, FR. WHEEL BEARING	1	1	1		
		11	44701-300-013	RIM, FR. WHEEL (19 DAIDO)	1			1003632 2020922	DK, DM, E, ED, F, G, U A, CH
			44701-405-771	RIM, FR. WHEEL	1	1		2110197	
					1			1003633 2020923	DK, DM, E, ED, F, G, U
					1	1		2110198	DK, DM, E, ED, F, G, U A, CH
		12	44711-375-003	TIRE, FR. WHEEL (3.25S-19 BS)	1	1			
			44711-375-671	TIRE, FR. WHEEL (3.25S-19 BS)	1	1			
		13	44712-300-003	TUBE, TIRE (3.25/3.50-19 BS)	1	1	1		
		14	44713-300-003	FLAP, TIRE (19 BS)	1	1	1		
		15	44800-323-000	BOX ASSY., SPEEDOMETER GEAR	1	1	1		

1978.07.01

# F-9

## Front wheel - Disk



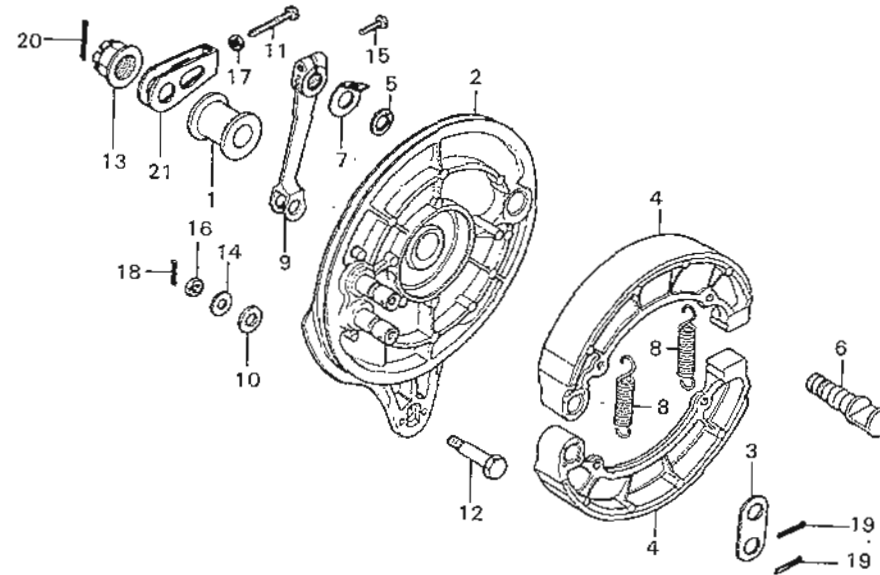
8392-26

Service item	F.R.T.	Ref. No.	Part No.	Description	Reqd. No.			Serial No.	Area code
					CB500	CB550	K3 K3 K4		
		16	45120-374-700	DISK COMP., FR. BRAKE	1	1	1		
		17	90122-300-020	BOLT, 8X102	6	6	6		
		18	90305-333-000	NUT, AXLE, 12MM	1	1	1		
		19	90309-357-000	NUT, HEX., 8MM	6	6	6		
		20	91252-300-003	DUST SEAL, 22X36X8	1	1	1		
		21	91302-300-000	O-RING, 58X2	1	1	1		
		22	93700-05015-0A	SCREW, OVAL, 5X15	1	1	1		
		23	96140-63020-10	BEARING, RADIAL BALL, 6302U	2	2	2		

1978.07.01

# F-10

## Rear brake panel

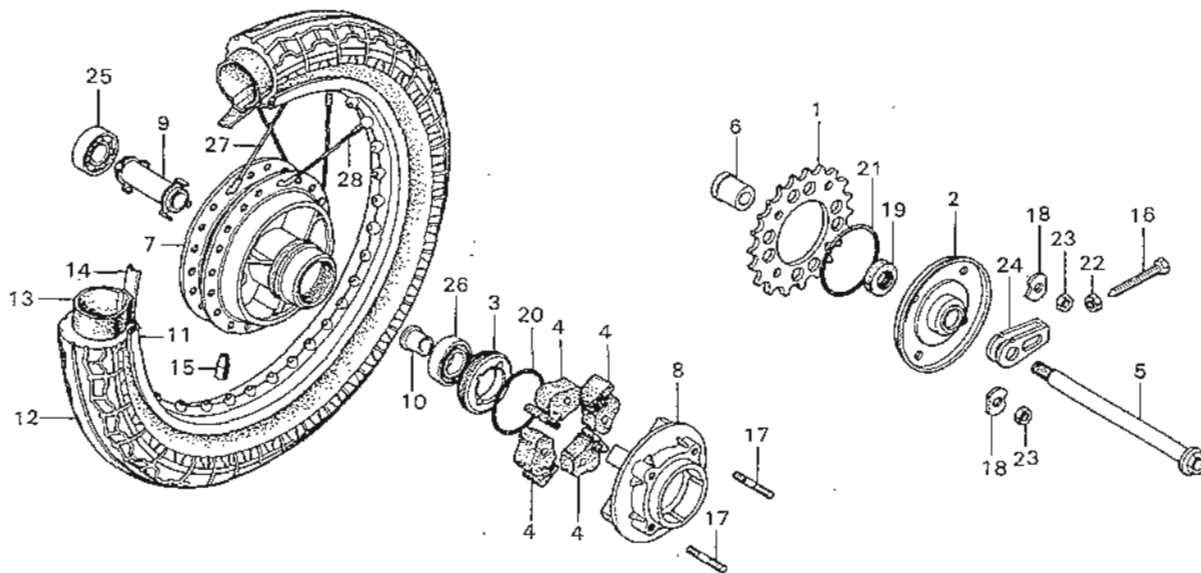


B404-15

Service item	F.R.T.	Ref. No.	Part No.	Description	Reqd. No.			Serial No.	Area code
					CB500 K3	CB550 K3	K4		
REAR BRAKE PANEL and its relation parts	0.6	1	42313-404-000	COLLAR, RR. PANEL SIDE	1	1	1		
REAR PANEL SIDE COLLAR	0.4	2	43100-341-030	PANEL COMP., RR. BRAKE	1			1003397	
• CHAIN ADJUSTER			43100-405-000	PANEL COMP., RR. BRAKE	1	1		2017199	
REAR BRAKE ARM	0.1							1003398	
								2017200	
		3	43102-319-000	WASHER, ANCHOR PIN			1		
		4	43120-404-003	SHOE COMP., RR. BRAKE	1	1	1		
			43120-45B-670	SHOE COMP., RR. BRAKE	2	2	2		
		5	43134-300-000	DUST SEAL, BRAKE CAM	1	1	1		
		6	43141-341-020	CAM, RR. BRAKE	1	1	1		
		7	43145-341-010	PLATE, BRAKE INDICATOR	1	1	1		
		8	43151-346-000	SPRING, RR. BRAKE SHOE	2	2	2		
		9	43410-404-000	ARM, RR. BRAKE	1	1	1		
		10	43434-286-000	RUBBER, STOPPER ARM CUSHION	1	1	1		
		11	90119-300-000	BOLT, CHAIN ADJUSTING	1	1	1		
		12	90127-393-000	BOLT, RR. BRAKE STOPPER	1	1	1		
		13	90305-393-000	NUT, AXLE, 18MM	1	1	1		
		14	90524-030-000	WASHER A, HANDLE HOLDER	1	1	1		
		15	92000-08025-0A	BOLT, HEX., 8X25					SETTING
		16	94001-08000-0S	NUT, HEX., 8MM	1	1	1		
		17	94002-08000-0S	NUT, HEX., 8MM	1	1	1		
		18	94201-20180	PIN, SPLIT, 2.0X18	1	1	1		
		19	94201-25200	PIN, SPLIT, 2.5X20	2	2	2		
		20	94201-40300	PIN, SPLIT, 4.0X30	1	1	1		
		21	95014-19000	ADJUSTER K, CHAIN	1	1	1		
			1978.07.01						

# F-11

## Rear wheel



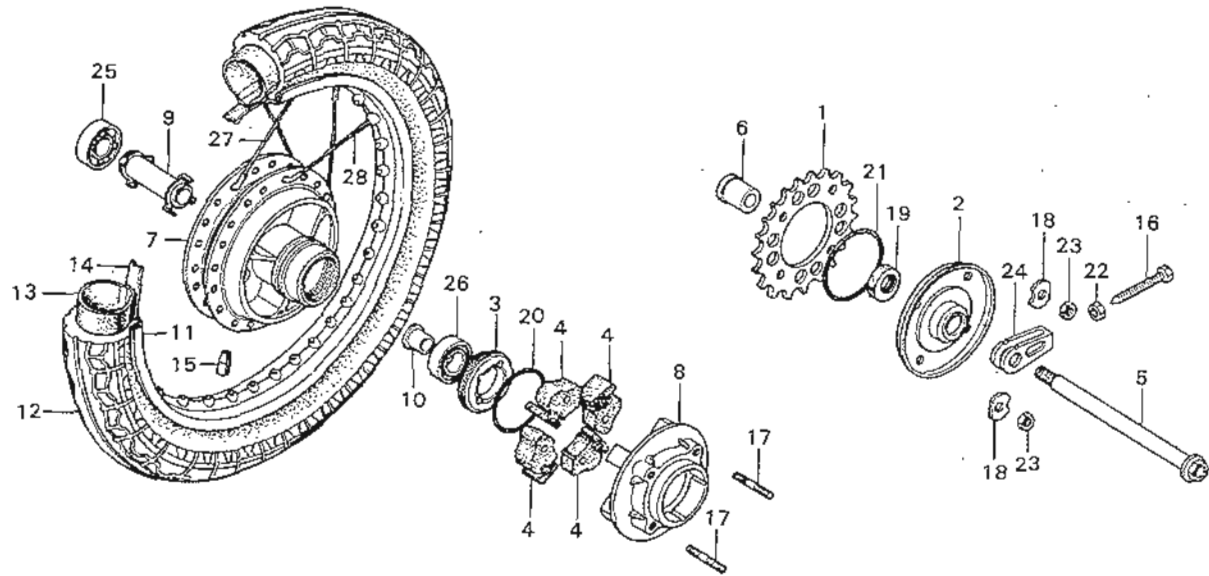
8404-16

Service item	F.R.T.	Ref. No.	Part No.	Description	Reqd. No. CB500 CB550 K3 K3 K4	Serial No.	Area code
REAR WHEEL HUB	2.8	1	41201-323-010	SPROCKET, FINAL DRIVEN (34T)	1		ED
REAR WHEEL RIM	2.4		41201-374-000	SPROCKET, FINAL DRIVEN (37T)	1		
REAR WHEEL TIRE/TUBE/TIRE FRAP	1.1				1	1	A,CM,DK,DM,E,F,G,U
FINAL DRIVEN FLANGE	1.0	2	41211-323-000	PLATE, SPROCKET SIDE	1	1	
BALANCER	0.9	3	41231-323-020	RETAINER, RR. WHEEL BEARING	1	1	
L. BALL BEARING/DISTANCE COLLAR	0.7	4	41241-404-000	DAMPER, RR. WHEEL	4	4	
* Add 01		5	42301-300-020	AXLE, RR. WHEEL	1	1	
STUD BOLT	0.6	6	42311-323-040	COLLAR, RR. WHEEL SIDE	1	1	
* One motorcycle 0.8		7	42601-404-000	HUB COMP., RR. WHEEL	1	1	
* BALL BEARING RETAINER		8	42610-323-000	FLANGE, FINAL DRIVEN	1	1	
R. BALL BEARING	0.5	9	42620-404-000	COLLAR, RR. AXLE DISTANCE	1	1	
* FINAL DRIVEN SPROCKET		10	42625-283-000	COLLAR B, RR. AXLE DISTANCE	1	1	
* REAR WHEEL DAMPER		11	42701-283-003	RIM, RR. WHEEL (18 DAIDO)	1		1003632
* DRIVEN SPROCKET/SIDE PLATE					1		2020922 DK,DM,E,ED,F,G,U
REAR WHEEL AXLE	0.4				1		A,CM
			42701-404-771	RIM, RR. WHEEL (18 DADD)	1		2110197
					1		1003633
					1		2020923
					1		2110198
		12	42711-375-003	TIRE, RR. WHEEL (3.75S-18 BS)	1	1	DK,DM,E,ED,F,G,U
			42711-375-671	TIRE, RR. WHEEL (3.75S-18 BS)	1	1	A,CM
		13	42712-300-003	TUBE, TIRE (4.00-18 BS)	1	1	
		14	42713-268-003	FLAP, RR. TUBE (18 BS)	1	1	
		15	44606-283-000	BALANCER (20G)	N	N	
			44607-283-000	BALANCER (15G)	N	N	
			44608-283-000	BALANCER (10G)	N	N	
			44609-283-000	BALANCER (5G)	N	N	

1978.07.01

# F-11

## Rear wheel



B404-16

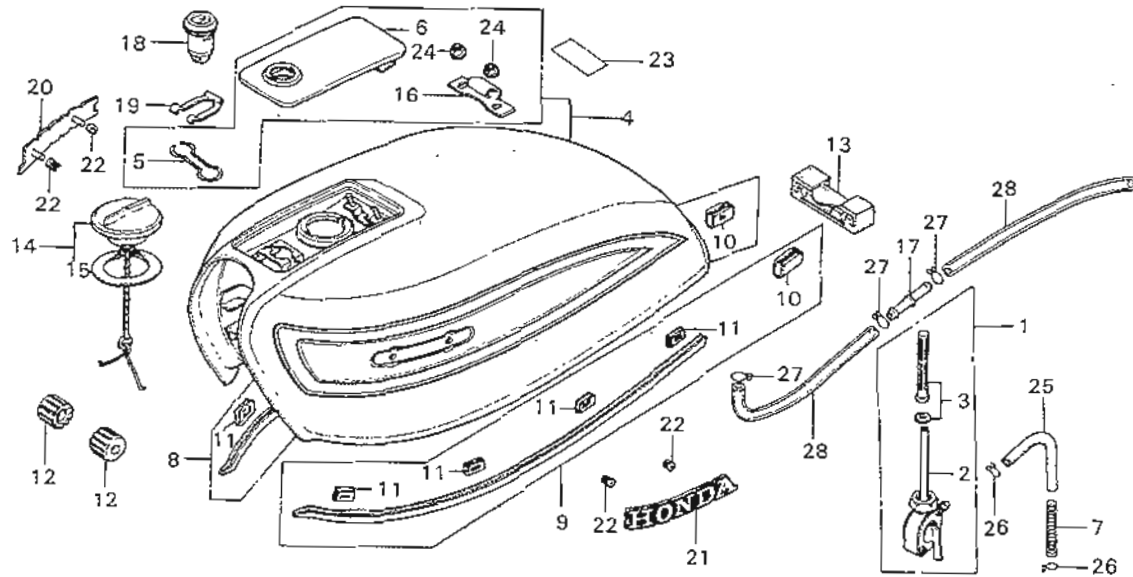
Service item	F.R.T.	Ref. No.	Part No.	Description	Reqd. No.			Serial No.	Area code
					CB500 K3	CB550 K3	CB550 K4		
		16	90119-300-000	BOLT, CHAIN ADJUSTING	1	1	1		
		17	90125-323-000	BOLT, STUD, 10X48	4	4	4		
		18	90524-323-000	WASHER, TONGUED, 10MM	4	4	4		
		19	90753-283-000	OIL SEAL, 34X55X9	1	1	1		
		20	91261-323-000	O-RING, 79X2-6	1	1	1		
		21	91262-323-000	O-RING, 92X2	1	1	1		
		22	94002-08000-05	NUT, HEX., 8MM	1	1	1		
		23	94030-10000	NUT, HEX., 10MM	4	4	4		
		24	95014-19000	ADJUSTER K, CHAIN	1	1	1		
		25	96140-63040-10	BEARING, RADIAL BALL, 6304U	1	1	1		
		26	96140-63050-10	BEARING, RADIAL BALL, 6305U	1	1	1		
		27	97313-69129-10	SPOKE BS, 8X144.5 (INSIDE)	20	20	20		
		28	97C07-69128-10	SPOKE BS, 8X144 (OUTSIDE)	20	20	20		

1978.07.01



# F-12

## Fuel tank



8404-17

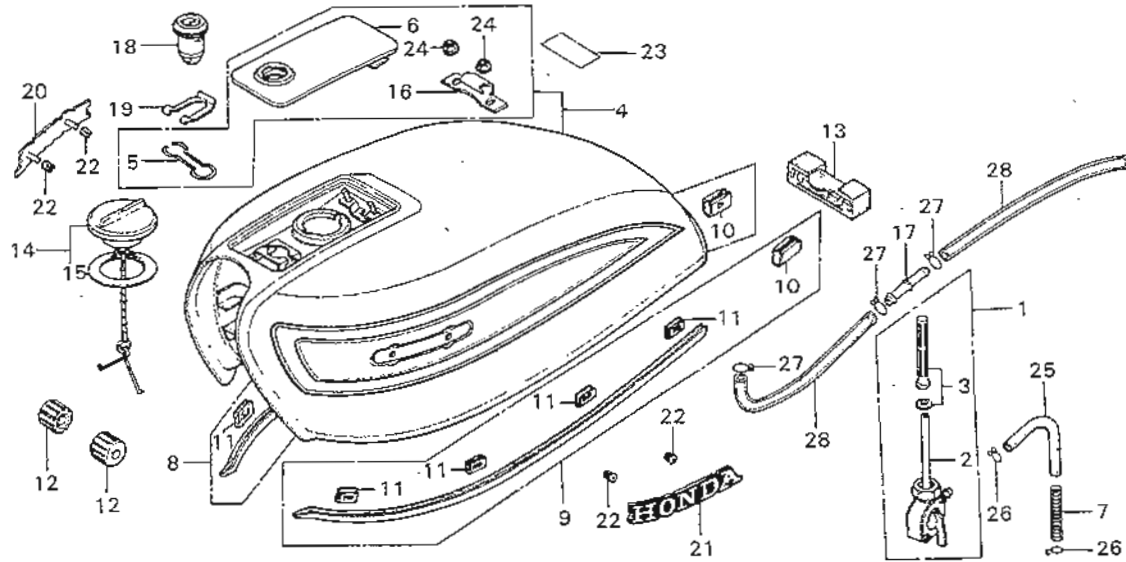
Service item	F.R.T.	Ref. No.	Part No.	Description	Reqd. No.			Serial No.	Area code
					CB500	CB350	K3 K4		
FUEL TANK ASSY.	0.4	1	16950-393-005	COCK ASSY., FUEL	1			1003777	
FUEL COCK ASSY. and its related parts	0.3				1			2024414	DK, DM, E, ED, F, G, U
FUEL FILLER LID and its related parts	0.1				1			2121557	A, CH
• FUEL TANK CAP COMP.			16950-405-830	COCK ASSY., FUEL	1	1	1003778		
• FUEL TANK CUSHION			16950-393-015	COCK ASSY., FUEL	1		2024415		DK, DM, E, ED, F, G, U
• FUEL TANK EMBLEM/MOLE COMP.			16950-405-831	COCK ASSY., FUEL	1	1	2121558		
• One or all		2	16951-393-005	BODY SET, COCK	1			1003777	
• FUEL TUBE					1			2024414	DK, DM, E, ED, F, G, U
					1			2121557	A, CH
			16951-405-830	BODY SET, COCK	1	1	1003778		
			16951-393-015	BODY SET, COCK	1		2024415		DK, DM, E, ED, F, G, U
			16951-405-831	BODY SET, COCK	1	1	2121558		
		3	16952-388-005	SCREEN SET, FUEL STRAINER	1			1003777	
					1			2024414	DK, DM, E, ED, F, G, U
					1			2121557	A, CH
			16952-388-015	SCREEN SET, FUEL STRAINER	1		1003778		
					1		2024415		DK, DM, E, ED, F, G, U
					1		2121558		
		4	17520-404-610ZA	TANK SUB ASSY., FUEL *NH-57*	1	1			
			17520-404-610ZB	TANK SUB ASSY., FUEL *YR-3C*	1	1			
			17520-404-770ZA	TANK SUB ASSY., FUEL *R-9C-S*					
			17520-404-770ZB	TANK SUB ASSY., FUEL *NH-1*					
		5	17526-390-000	CLIP, FILLER LOCK	1	1	1		
		-6	17531-404-670ZA	LID COMP., FUEL FILLER *NH-57*	1	1			
			17531-404-670ZC	LID COMP., FUEL FILLER *NH-1*			1		

1978.07.01



# F-12

## Fuel tank



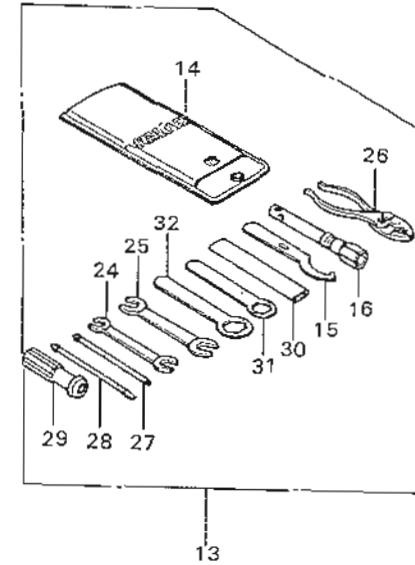
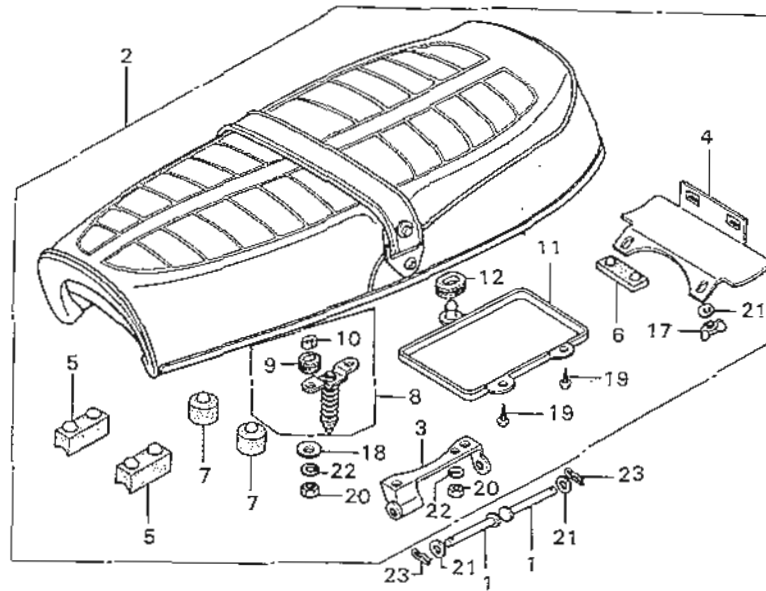
B404-17

Service item	F.R.T.	Ref. No.	Part No.	Description	Reqd. No.			Serial No.	Area code
					CB500	CB550	K3 K3 K4		
		28	95003-27050-30	TUBE, VINYL, 9X13X500	2	2	2		

1978.07.01

# F-13

## Seat • Tool



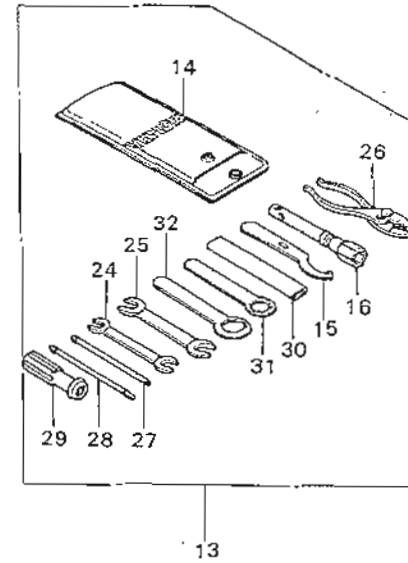
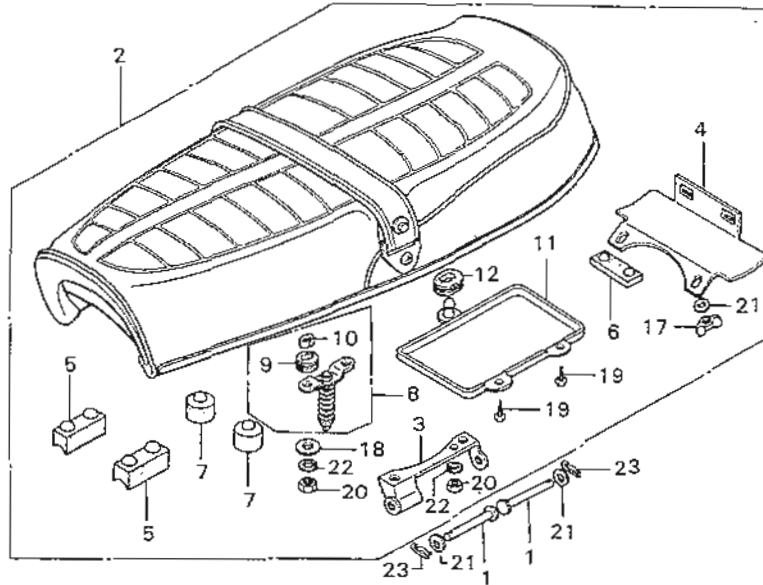
8404-18

Service item	F.R.T.	Ref. No.	Part No.	Description	Reqd. No.			Serial No.	Area code
					CB500	CB550	K3 K3 K4		
SEAT ASSY, and its related parts • SEAT LOCK BAR ASSY.	0.1	1	77103-313-000	BAR, SEAT HINGE	2	2	2	1003607 2020497	
		2	77200-404-670	SEAT ASSY.	1	1			
			77200-404-770	SEAT ASSY., DOUBLE			1		
		3	77201-323-010	HINGE, SEAT	1	1	1		
		4	77202-390-000	LID, TOOL UNDER	1				
							1		
		5	77204-292-000	RUBBER, SEAT SETTING	2	2	2		
		6	77204-312-000	RUBBER, SEAT SETTING	1	1	1		
		7	77206-329-000	RUBBER B, SEAT SETTING	2	2	2		
		8	77220-340-011	BAR ASSY., SEAT LOCK	1	1	1		
		9	77228-340-001	RUBBER, SEAT LOCK BAR CUSHION	2	2	2		
		10	77229-340-001	COLLAR, SEAT LOCK BAR	2	2	2		
		11	77250-342-300	LID, SEAT UNDER	1	1	1		
		12	83551-300-000	GROMMET, AIR CLEANER CASE	1	1	1		
		13	89010-404-670	TOOL SET	1	1	1		
		14	89101-300-010	BAG, TOOL	1	1	1		
		15	89215-404-670	SPANNER, PIN	1	1	1		
		16	89216-323-000	WRENCH, SPARK PLUG	1	1	1		
		17	90203-611-000	NUT, AIR CLEANER COVER	2	2	2		
		18	90514-700-000	WASHER, TANK COLLAR LOCKING	2	2	2		
		19	93901-25080	SCREW, TAPPING, 5XB	2	2	2		
		20	94001-06000	NUT, HEX., 6MM	4	4	4		
		21	94101-06000	WASHER, PLAIN, 6MM	4	4	4		
		22	94111-06000	WASHER, SPRING, 6MM	4	4	4		
		23	94251-06000	PIN, LOCK, 6MM	2	2	2		
		24	99001-10120	SPANNER, 10X12	1	1	1		

1978.07.01

# F-13

## Seat • Tool



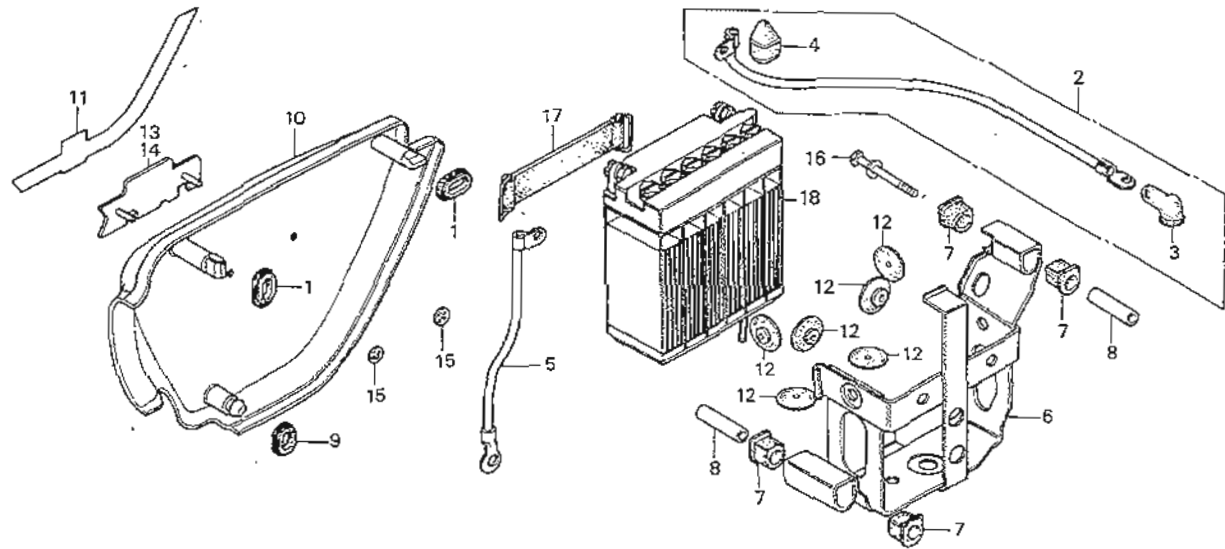
8404-18

Service Item	F.R.T.	Ref. No.	Part No.	Description	Reqd. No.			Serial No.	Area code
					CB500	CB550	K3 K3 K4		
		25	99001-14170	SPANNER, 14X17	1	1	1		
		26	99002-13500	PLIERS, 135	1	1	1		
		27	99003-10000	DRIVER 2, PLUS SCREW	1	1	1		
		28	99003-30000	DRIVER 2, MINUS SCREW	1	1	1		
		29	99003-50000	GRIP	1	1	1		
		30	99006-12000	HANDLE, EYE WRENCH, 120MM	1	1	1		
		31	99006-22000	WRENCH, EYE, 22MM	1	1	1		
		32	99006-24000	WRENCH, EYE, 24MM	1	1	1		

1978.07.01

# F-14

## Right side cover - Battery



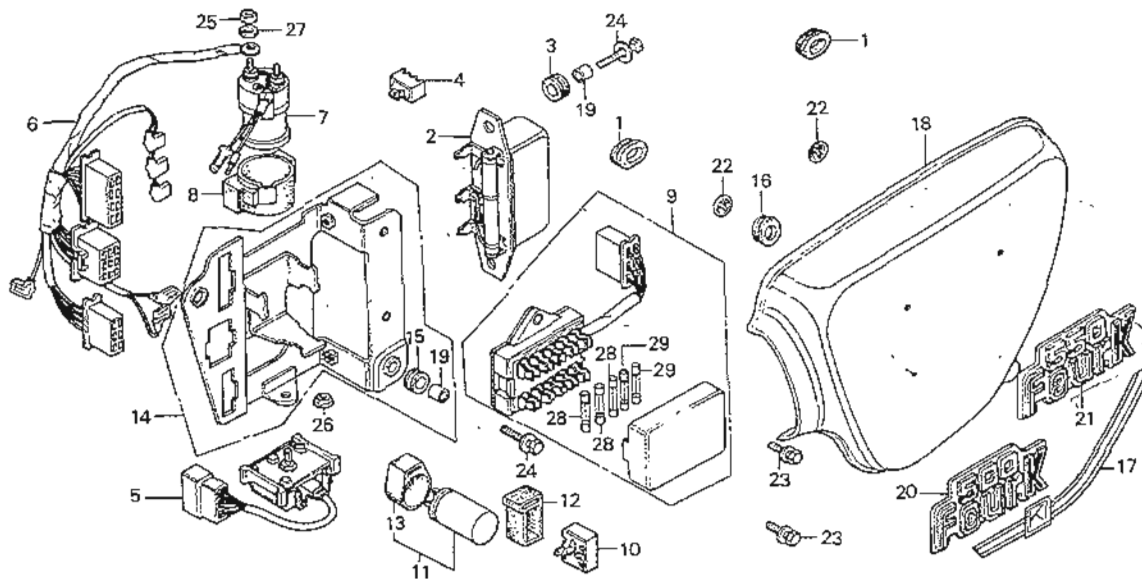
5404-19A

Service item	F.R.T.	Ref. No.	Part No.	Description	Reqd. No.			Serial No.	Area code
					CB500	CB550	K3 K3 K4		
BATTERY BOX	0.5	1	17247-303-000	GROMMET A, AIR CLEANER CASE	2	2	2		
BATTERY CABLE	0.4	2	32401-323-000	CABLE, BATTERY STARTER	1	1	1		
R. SIDE COVER	0.1	3	32411-253-000	COVER, STARTING MOTOR TERMINAL	1	1	1		
		4	32412-323-000	COVER, BATTERY TERMINAL	1	1	1		
		5	32601-323-000	CABLE, BATTERY EARTH	1	1	1		
		6	50325-323-040	BOX, BATTERY	1	1	1		
		7	50331-323-000	CUSHION, BATTERY BDX	4	4	4		
		8	50332-323-000	COLLAR, BATTERY BOX	2	2	2		
		9	83551-300-000	GROMMET, AIR CLEANER CASE	1	1	1		
		10	83600-404-6702A	COVER, R. SIDE *NH-57*	1	1			
			83600-404-6702C	COVER, R. SIDE *YR-3C*	1	1			
			83600-404-6702E	COVER, R. SIDE *NH-1*			1		
			83600-404-6702G	COVER, R. SIDE *R-9C-S*			1		
		11	83612-404-770	STRIPE, R. SIDE COVER			1		
		12	83618-323-000	RUBBER, BATTERY BOX	6	6	6		
		13	87124-404-630	EMBLEM, SIDE COVER	1				
		14	87124-404-670	EMBLEM, SIDE COVER		1	1		
		15	90315-504-000	NUT, SPEED, 3MM	2	2	2		
		16	93481-08065-00	BOLT-WASHER, 8X65	1	1	1		
		17	95012-17000	BAND F, BATTERY	1	1	1		
		18	98202-22250	BATTERY, 12N12A-4A-1	1	1	1		
			98203-22250	BATTERY, 12N12A-4A-1	1	1	1		

CM,DK,DM,E,ED,F,G,U  
A

# F-15

## Left side cover - Electric plate

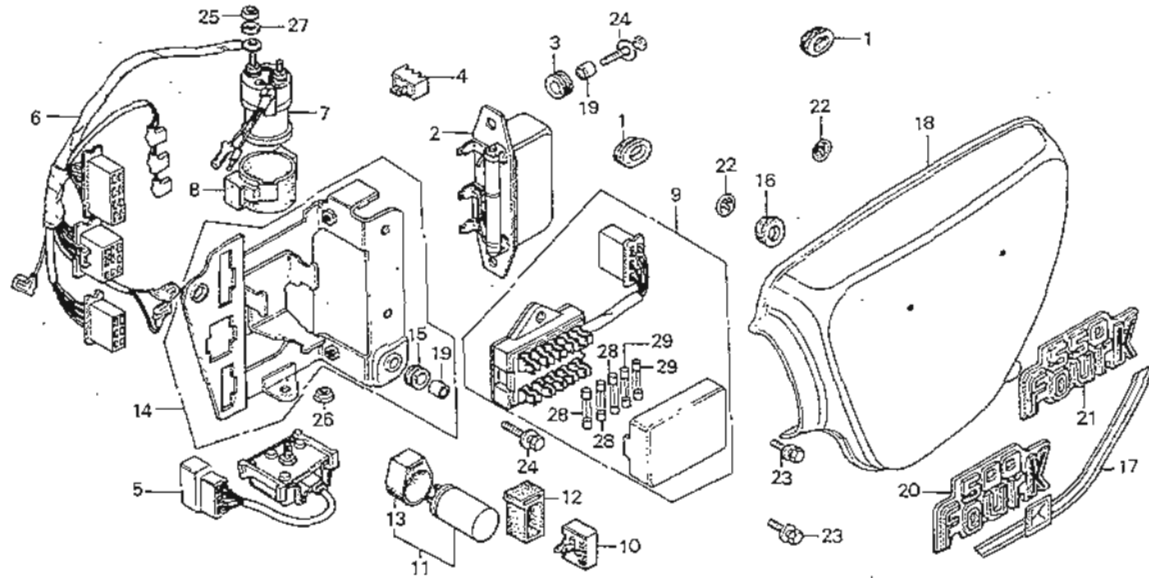


B404-208

Service item	F.R.T.	Ref. No.	Part No.	Description	Reqd. No.			Serial No.	Area code
					CB500	CB550	K3 K3 K4		
ELECTRIC PLATE	0.6	1	17247-303-000	GROMMET A, AIR CLEANER CASE	2	2	2		
SUB WIRE HARNESS	0.5	2	31400-300-035	REGULATOR ASSY. (HITACHI)	1	1	1		
REGULATOR ASSY.		3	31403-323-000	RUBBER, REGULATOR CUSHION	2	2	2		
STARTER MAGNETIC SWITCH	0.4	4	31700-124-003	RECTIFIER ASSY., SILICON	1	1	1		
RECTIFIER	0.1		31700-124-008	RECTIFIER ASSY., SILICON (STANLEY)	1	1	1		
• TURN SIGNAL RELAY		5	31700-323-015	RECTIFIER ASSY. (SHINDENGEN)	1	1	1		
• FUSE BOX ASSY.			31700-333-008	RECTIFIER ASSY., SILICON	1	1	1		
• L. SIDE COVER									
		6	32105-390-000	HARNESS, SUB WIRE	1	1	1		
		7	35850-375-000	SWITCH ASSY., STARTER MAGNETIC	1	1	1		
		8	35856-286-010	RUBBER, MAGNETIC SHOCK	1	1	1		
		9	38200-377-005	BOX ASSY., FUSE (DAICHI)	1	1	1		
		10	38300-292-670	RELAY ASSY., WINKER	1	1	1		A,CH
		11	38300-388-004	RELAY ASSY., WINKER	1	1	1	1002117	
			38300-388-014	RELAY ASSY., WINKER	1	1	1	2014263	DK,DM,E,ED,F,U
			38300-404-612	RELAY ASSY., WINKER	1	1	1	1002118	DK,DM,E,ED,F,U
		12	38306-092-670	SUSPENSION, WINKER RELAY	1	1	1	2014264	G
		13	38306-323-000	SUSPENSION, WINKER RELAY	1	1	1		A,CH
		14	50330-390-000	PLATE, ELECTRIC	1	1	1		DK,DM,E,ED,F,G,U
		15	80105-061-000	CUSHION A, RR. FENDER	2	2	2		
		16	83551-300-000	GROMMET, AIR CLEANER CASE	1	1	1		
		17	83613-404-770	STRIPE, L. SIDE COVER			1		
		18	83700-404-6702A	COVER, L. SIDE *NH-57*	1	1	1		
			83700-404-6702C	COVER, L. SIDE *YR-3C*	1	1	1		
			83700-404-6702E	COVER, L. SIDE *NH-1*			1		
				1978.07.01					

# F-15

## Left side cover • Electric plate



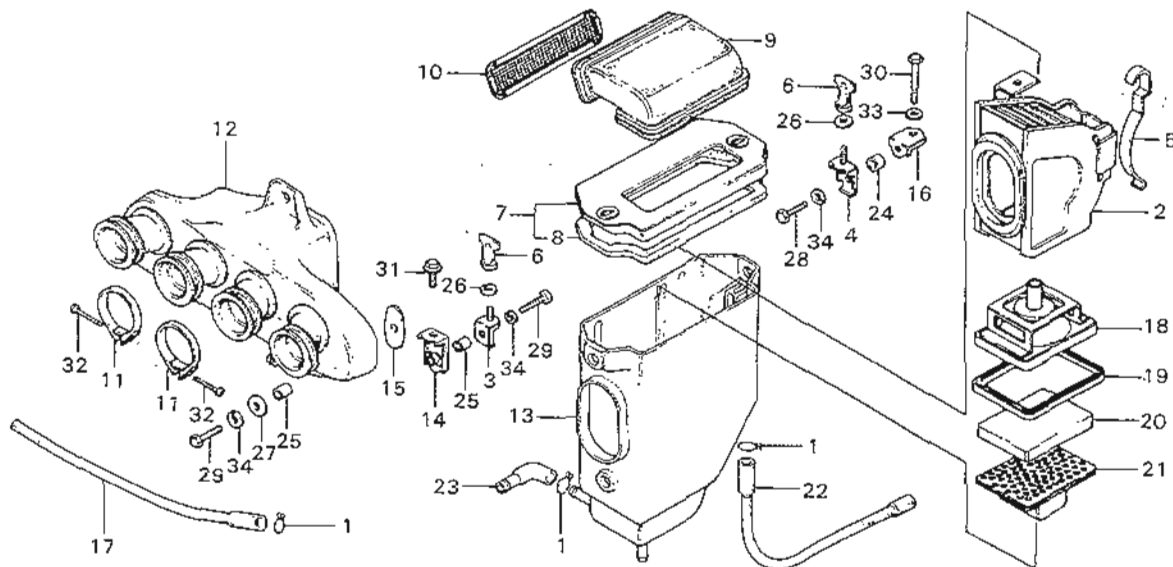
B404-208

Service item	F.R.T.	Ref. No.	Part No.	Description	Reqd. No.			Serial No.	Area code
					CB500 K3	CB550 K3	K4		
			83700-404-670ZG	COVER, L. SIDE *R-9C-S*			1		
		19	84706-404-000	COLLAR, ELECTRIC PLATE	4	4	4		
		20	87124-404-630	EMBLEM, SIDE COVER	1				
		21	87124-404-670	EMBLEM, SIDE COVER			1		
			87124-404-770	EMBLEM, SIDE COVER			1		
		22	90315-504-000	NUT, SPEED, 3MM	2	2	2		
		23	93481-06016-00	BOLT-WASHER, 6X16	2	2	2		
		24	93494-06020-08	BOLT-WASHER, 6X20	4	4	4		
		25	94002-06000	NUT, HEX., 6MM	2	2	2		
		26	94050-08080	NUT, FLANGE, 8MM	1	1	1		
		27	94111-06000	WASHER, SPRING, 6MM	2	2	2		
		28	98200-20700	FUSE B (7A)	3	3	3		
		29	98200-21500	FUSE B (15A)	2	2	2		



# F-16

## Air cleaner



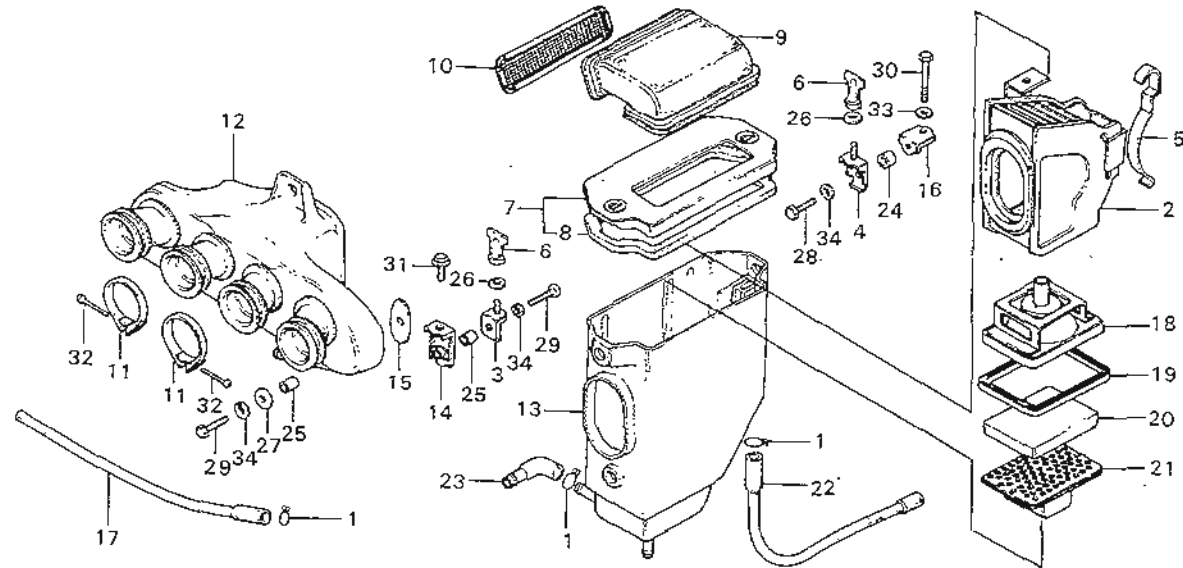
8404-21A

Service item	F.R.T.	Ref. No.	Part No.	Description	Reqd. No.			Serial No.	Area code
					CB500	CB550	K3 K4		
AIR CLEANER CASE	1.2	1	15772-292-010	CLIP, BREATHER TUBE	3	3	3		
CHAMBER COMP.	1.1	2	17210-404-670	ELEMENT COMP., AIR CLEANER	1	1	1		
BREATHER ELEMENT/AIR CLEANER ELEMENT and their related parts	0.1	3	17214-390-000	STAY A, AIR CLEANER COVER	1	1	1		
		4	17215-390-000	STAY B, AIR CLEANER COVER	1	1	1		
		5	17216-323-020	SPRING, AIR CLEANER ELEMENT	1	1	1		
				SET					
		6	17216-390-000	NUT, AIR CLEANER COVER SET	2	2	2		
		7	17220-390-000	COVER COMP., AIR CLEANER	1	1	1		
		8	17221-390-300	RUBBER, AIR CLEANER CASE SEAL	1	1	1		
		9	17240-390-000	DUCT, AIR CLEANER IN.	1	1	1		
		10	17242-390-640	NET, IN. DUCT	1	1	1		
		11	17255-230-000	BAND, CLEANER CONNECTING TUBE	4	4	4		
		12	17310-404-670	CHAMBER COMP.	1	1	1		
		13	17313-390-780	CASE, AIR CLEANER ELEMENT SEAL	1	1	1		
		14	17317-323-010	STAY, AIR CLEANER	1	1	1		
		15	17318-323-000	WASHER, ELEMENT SETTING	1	1	1		
		16	17319-323-000	STAY, AIR CLEANER RR.	1	1	1		
		17	17335-323-000	TUBE ASSY., BREATHER	1	1	1		
		18	17350-404-670	COVER COMP., ELEMENT	1	1	1		
		19	17351-390-780	SEAL, ELEMENT COVER	1	1	1		
		20	17352-374-003	ELEMENT	1	1	1		
		21	17353-374-003	PLATE, SEAL	1	1	1		
		22	17358-341-000	TUBE ASSY., DRAIN	1	1	1		
		23	17359-374-000	PIECE, AIR CLEANER JOINT	1	1	1		
		24	61309-303-810	COLLAR, BUZZER SETTING	1	1	1		
		25	84705-310-000	COLLAR, RR. FENDER	2	2	2		

1978.07.01

# F-16

## Air cleaner



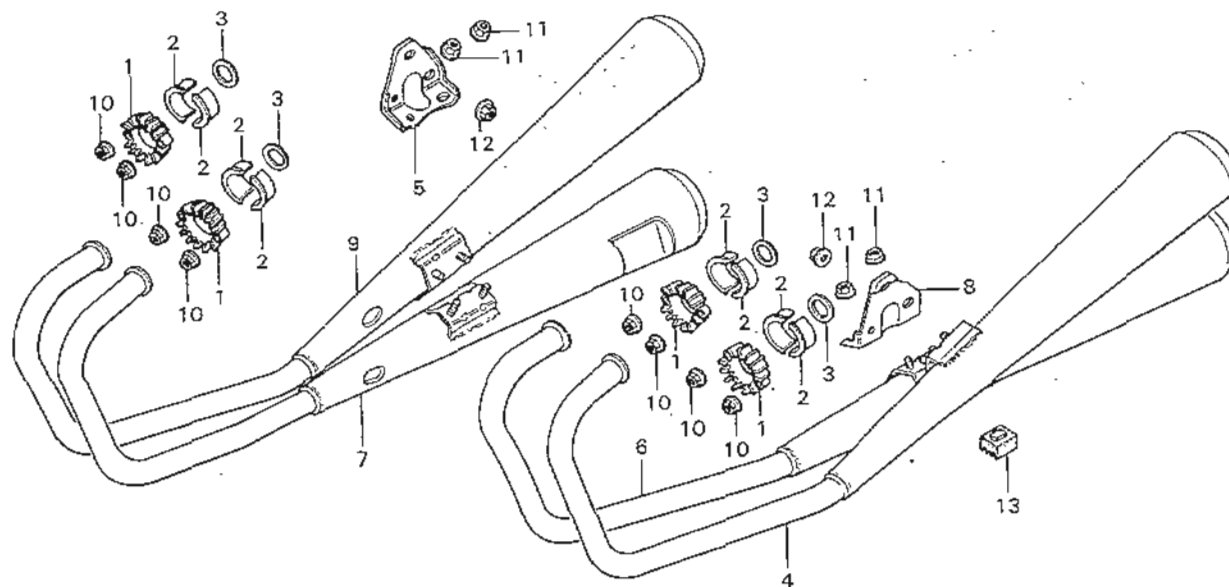
B401-21A

Service item	F.R.T.	Ref. No.	Part No.	Description	Reqd. No.			Serial No.	Area code
					CB500	CB550	K3 K4		
		26	90416-551-000	WASHER, SEALING, 6MM	2	2	2		
		27	90581-701-000	WASHER, 18MM	1	1	1		
		28	92000-06016	BOLT, HEX., 6X16	1	1	1		
		29	92000-06025	BOLT, HEX., 6X25	2	2	2		
		30	92000-06040	BOLT, HEX., 6X40	1	1	1		
		31	93481-06012-00	BOLT-WASHER, 6X12	1	1	1		
		32	93500-04020-0A	SCREW, PAN, 4X20	4	4	4		
		33	94101-06000	WASHER, PLAIN, 6MM	1	1	1		
		34	94111-06000	WASHER, SPRING, 6MM	3	3	3		

1978.07.01

# F-17

## Exhaust muffler



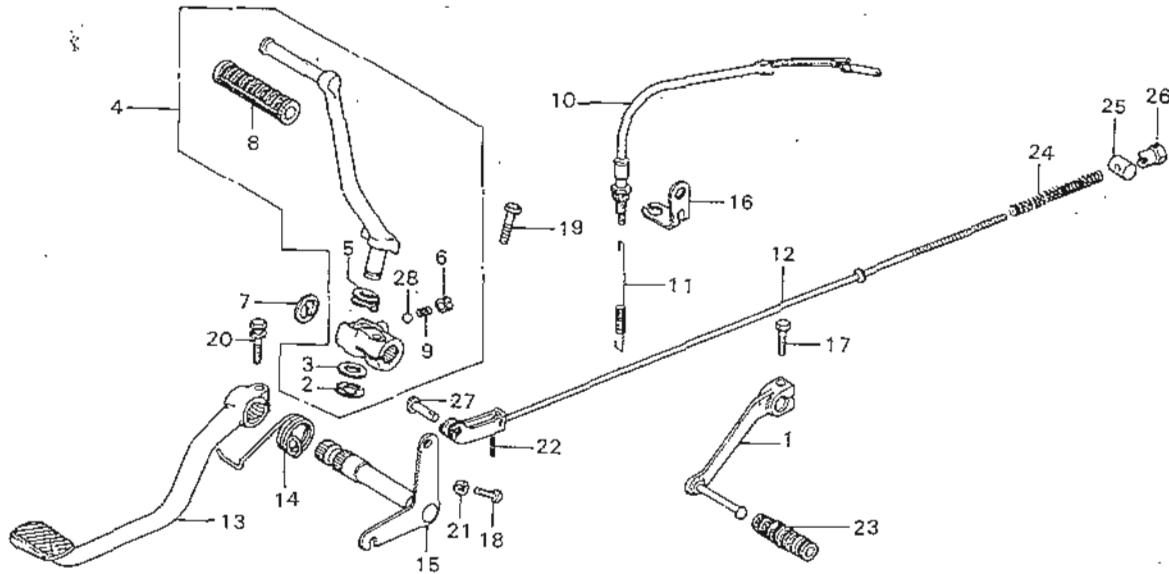
8404-22

Service item	F.R.T.	Ref. No.	Part No.	Description	Reqd. No.			Serial No.	Area code
					CB500	CB550	K3 K3 K4		
EXHAUST MUFFLER 1/2 and its relation parts	0.3	1	18231-333-010	JOINT, EX. PIPE	4	4	4		
• EXHAUST MUFFLER 3/4 and its relation parts		2	18233-107-000	COLLAR, EX. PIPE JOINT	8	8	8		
• One or all at 1/2, 3/4		3	18291-390-000	GASKET, EX. PIPE	4	4	4		
EXHAUST PIPE JOINT COLLAR	0.1	4	18300-404-670	MUFFLER COMP. 1, EX.	1	1	1		
		5	18340-404-670	STAY, R. MUFFLER	1	1	1		
		6	18350-404-670	MUFFLER COMP. 2, EX.	1	1	1		
		7	18400-404-670	MUFFLER COMP. 3, EX.	1	1	1		
		8	18430-404-670	STAY, L. MUFFLER	1	1	1		
		9	18450-404-670	MUFFLER COMP. 4, EX.	1	1	1		
		10	94050-06080	NUT, FLANGE, 6MM	8	8	8		
		11	94050-08080	NUT, FLANGE, 8MM	4	4	4		
		12	94050-10080	NUT, FLANGE, 10MM	2	2	2		
		13	95011-61000	RUBBER A, STAND STOPPER	1	1	1		

1978.07.01

# F-18

## Kick arm • Pedal



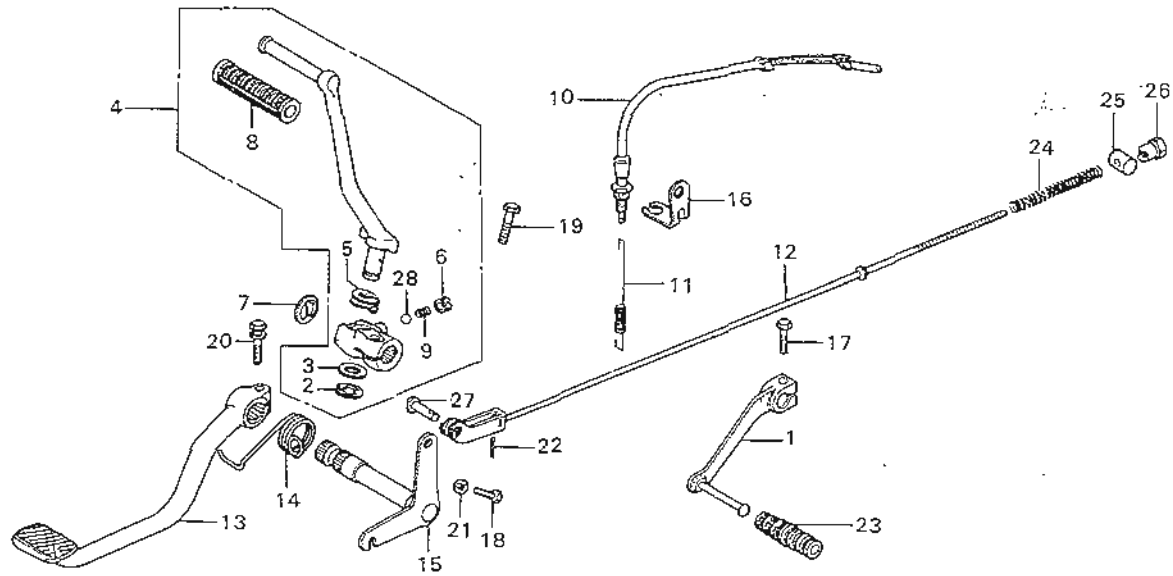
8404-23A

Service item	F.R.T.	Ref. No.	Part No.	Description	Reqd. No.			Serial No.	Area code
					CB500	CB550	K3 K3 K4		
REAR BRAKE PIVOT SHAFT	0.8	1	24700-323-010	PEDAL, GEAR CHANGE	1	1	1		
REAR BRAKE PEDAL/SPRING	0.2	2	28293-333-000	CLIP, KICK STARTER ARM	1	1	1		
• REAR BRAKE ROD		3	28294-333-000	WASHER, KICK ARM	1	1	1		
GEAR CHANGE PEDAL/RUBBER	0.1	4	28300-404-670	ARM COMP., KICK STARTER	1	1	1		
• KICK STARTER ARM COMP./RUBBER		5	28302-310-300	SPRING, KICK STARTER ARM	1	1	1		
• STOP SWITCH/SWITCH SPRING		6	28303-310-010	BOLT, KICK ARM	1	1	1		
		7	28305-310-000	CAP, KICK STARTER ARM	1	1	1		
		8	28311-329-000	RUBBER, KICK STARTER	1	1	1		
		9	28333-310-000	SPRING, KICK STARTER STOPPER	1	1	1		
		10	35350-086-721	SWITCH ASSY., STOP	1	1	1		
		11	35357-011-000	SPRING, STOP SWITCH	1	1	1		
		12	43451-323-020	ROD, RR. BRAKE	1	1	1		
		13	46500-404-670	PEDAL, BRAKE	1	1	1		
		14	46514-404-670	SPRING, BRAKE PEDAL	1	1	1		
		15	46515-404-670	SHAFT COMP., RR. BRAKE PIVOT	1	1	1		
		16	50157-390-000	BRACKET, STOP SWITCH	1	1	1		
		17	92000-06020	BOLT, HEX., 6X20	1	1	1		
		18	92025-06025	BOLT, HEX., 6X25	1	1	1		
		19	93200-08032-0A	BOLT, HEX., 8X32	1	1	1		
		20	93482-08028-00	BOLT-WASHER, 8X28	1	1	1		
		21	94002-06000	NUT, HEX., 6MM	1	1	1		
		22	94201-16150	PIN, SPLIT, 1.6X15	1	1	1		
		23	95011-40000	RUBBER, CHANGE PEDAL	1	1	1		
		24	95014-73100	SPRING A, BRAKE ROD	1	1	1		
		25	95015-32001	JOINT B, BRAKE ARM	1	1	1		

1978.07.01

# F-18

## Kick arm • Pedal



Courtesy of  
www.honda4fun.com



Honda4Fun  
www.honda4fun.com

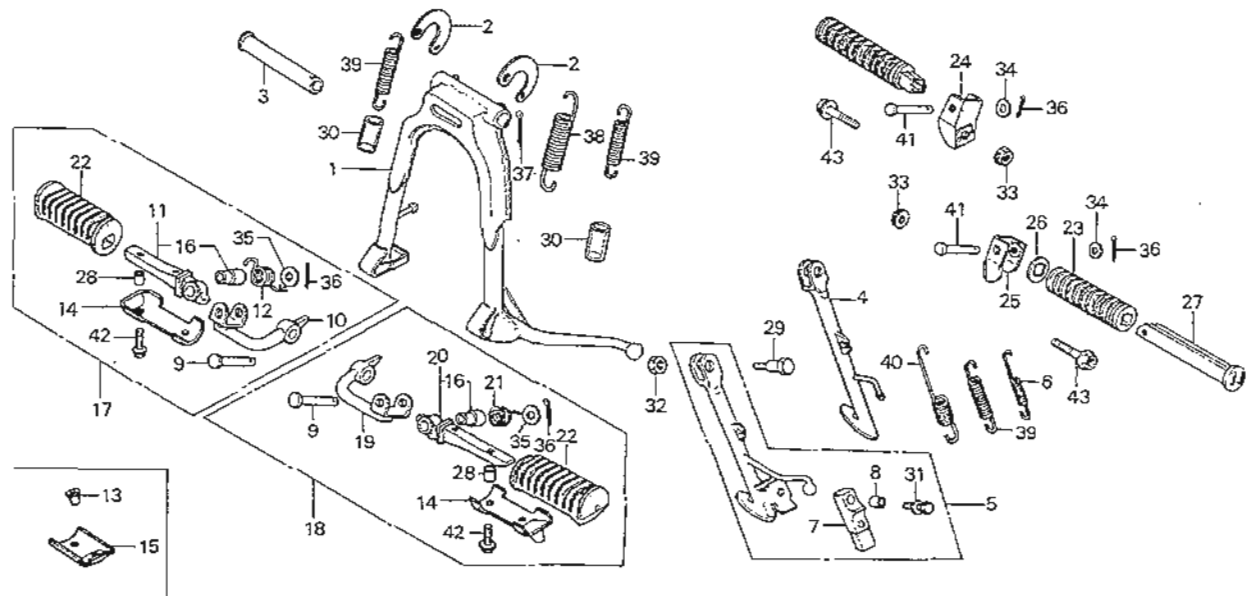
B404-23A

Service item	F.R.T	Ref. No.	Part No.	Description	Reqd. No.			Serial No.	Area code
					CB500	CB550	K3 K4		
		26	95015-42000	NUT 8, BRAKE ROD ADJUST	1	1	1		
		27	95015-52000	PIN 8, BRAKE ROD JOINT	1	1	1		
		28	96211-10000	BALL, STEEL, #10 (5/16)	1	1	1		

1978.07.01

# F-19

## Stand • Step



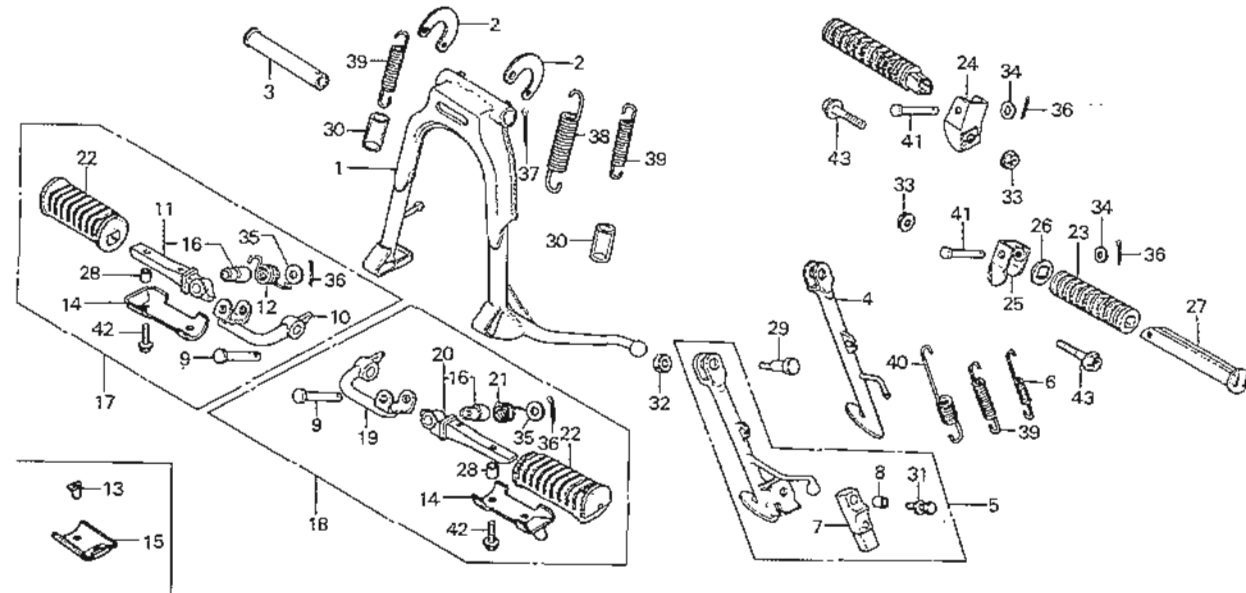
B404-24B

Service item	F.R.T.	Ref. No.	Part No.	Description	Reqd. No.			Serial No.	Area code
					CB500	CB550	K3 K3 K4		
MAIN STAND/PIVOT PIPE	0.5	1	50500-404-610ZA	STAND COMP., MAIN *NH-1*	1	1		G	
SIDE STAND BAR ASSY.	0.2		50500-404-670ZA	STAND COMP., MAIN *NH-1*	1	1		A,CM,DK,DM,E,ED,F,U	
MAIN STAND SPRING/SPRING PLATE	0.1	2	50523-300-010	PLATE, MAIN STAND SPRING	1	1		A,CM,DK,DM,E,ED,F,U	
• SIDE STAND SPRING						2		G	
• STAND RUBBER									
• STEP ARM and its related parts									
• PILLION STEP and its related parts									
		3	50526-300-000	PIPE, MAIN STAND PIVOT	1	1			
		4	50530-404-680ZA	BAR COMP., SIDE STAND *NH-1*	1	1		DK,DM,E,ED,F,U	
		5	50540-404-670	BAR ASSY., SIDE STAND	1	1		A,CM,G	
		6	50542-341-610	SUB SPRING, SIDE STAND	1			G	
		7	50548-356-700	RUBBER, STAND	1	1		A,CM,G	
		8	50549-356-700	COLLAR, STAND RUBBER SETTING	1	1		A,CM,G	
		9	50603-033-000	PIN, STEP BAR JOINT	2	2			
		10	50615-404-670ZA	BAR COMP., R. STEP *NH-1*	1	1			
		11	50616-369-6708	ARM COMP., R. STEP	1	1		A,CM	
			50632-405-000	ARM, R. STEP	1	1		DK,DM,E,ED,F,G,U	
		12	50617-283-000	SPRING, R. STEP RETURN	1	1			
		13	50618-405-000	SLIDER, STEP	2		1003707		
							2023056	DK,DM,E,ED,F,G,U	
			50618-431-670	SLIDER, STEP	2		1003709		
							2023057	DK,DM,E,ED,F,G,U	
		14	50619-375-000	STOPPER, STEP RUBBER	2	2		A,CM	
		15	50619-405-000	STOPPER, STEP RUBBER	2	2		DK,DM,E,ED,F,G,U	
		16	50620-310-000	PIPE, STEP INNER	2	2			
		17	50630-404-000ZA	STEP ASSY., R. *NH-1*	1	1		DK,DM,E,ED,F,G,U	
			50630-404-670ZA	STEP ASSY., R. *NH-1*	1	1		A,CM	
		18	50640-404-000ZA	STEP ASSY., L. *NH-1*	1	1		DK,DM,E,ED,F,G,U	
			50640-404-670ZA	STEP ASSY., L. *NH-1*	1	1		A,CM	
		19	50641-404-670ZA	BAR COMP., L. STEP *NH-1*	1	1			

1978-07-01

# F-19

## Stand - Step



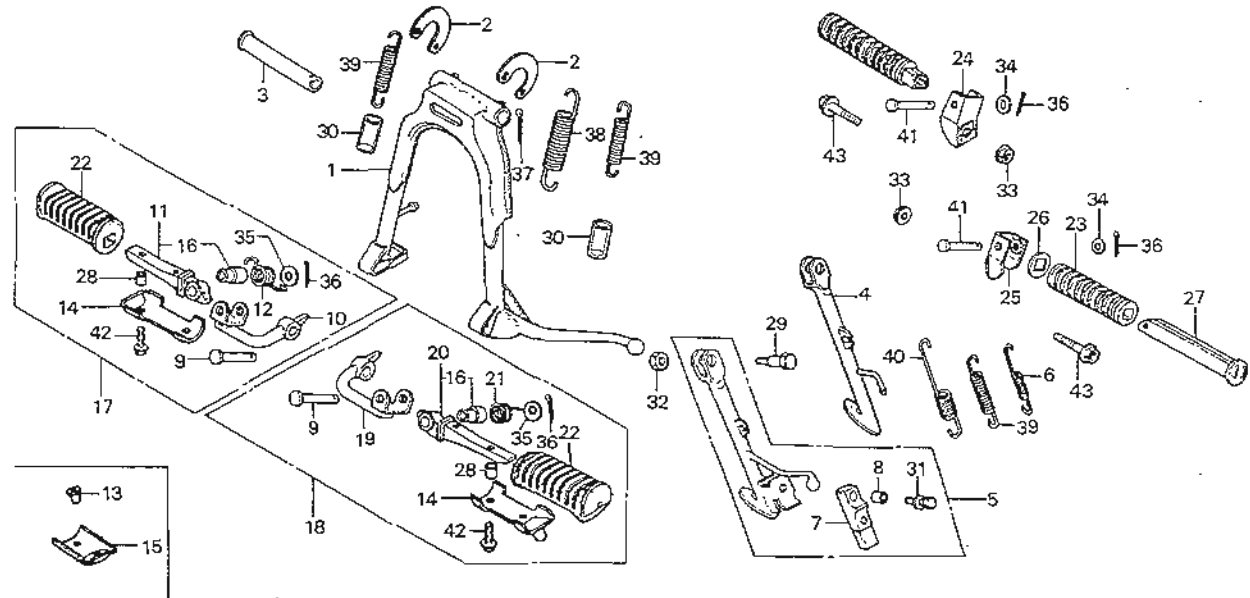
B404-248

Service item	F.R.T.	Ref. No.	Part No.	Description	Reqd. No.			Serial No.	Area code
					CB500	CB550	K3 K3 K4		
		20	50642-369-6708	ARM COMP., L. STEP	1	1		A,CM	
			50642-405-000	ARM, L. STEP	1	1		DK,DM,E,ED,F,G,U	
		21	50644-283-000	SPRING, L. STEP RETURN	1	1	1		
		22	50661-369-000	RUBBER, STEP	2	2		A,CM	
			50661-405-000	RUBBER, STEP	2	2		DK,DM,E,ED,F,G,U	
		23	50710-377-000	RUBBER, PILLION STEP	2	2	2		
		24	50711-374-670	BRACKET, R. PILLION STEP	1	1	1		
		25	50712-374-670	BRACKET, L. PILLION STEP	1	1	1		
		26	50712-377-000	WASHER, PILLION STEP	2	2	2		
		27	50715-377-000	BAR, PILLION STEP	2	2	2		
		28	84706-286-000	COLLAR, NUMBER BRACKET SETTING	4	4		A,CM	
					2	2		DK,DM,E,ED,F,G,U	
		29	90108-283-000	SCREW, SIDE STAND PIVOT	1	1	1		
		30	90125-404-610	COVER, MAIN STAND SPRING		2		G	
		31	93481-06028-00	BDLT-WASHER, 6X28		1	1	A,CH,G	
		32	94001-10000-05	NUT, HEX., 10MM	1	1	1		
		33	94071-10080	NUT-WASHER, 10MM	2	2	2		
		34	94101-06000	WASHER, PLAIN, 6MM	2	2	2		
		35	94101-08000	WASHER, PLAIN, 8MM	2	2	2		
		36	94201-16150	PIN, SPLIT, 1.6X15	4	4	4		
		37	94201-25250	PIN, SPLIT, 2.5X25	1	1	1		
		38	95014-71702	SPRING G, MAIN STAND	1	1	1	A,CH,DK,DM,E,ED,F,U	
		39	95014-72102	SPRING A, SIDE STAND		3		G	
		40	95014-72400	SPRING D, SIDE STAND	1	1	1	A,CH,DK,DM,E,ED,F,U	
		41	95015-B3000	PIN C, PILLION STEP	2	2	2		

1978.07.01

# F-19

## Stand - Step



Courtesy of  Honda4Fun  
[www.honda4fun.com](http://www.honda4fun.com)

8404-248

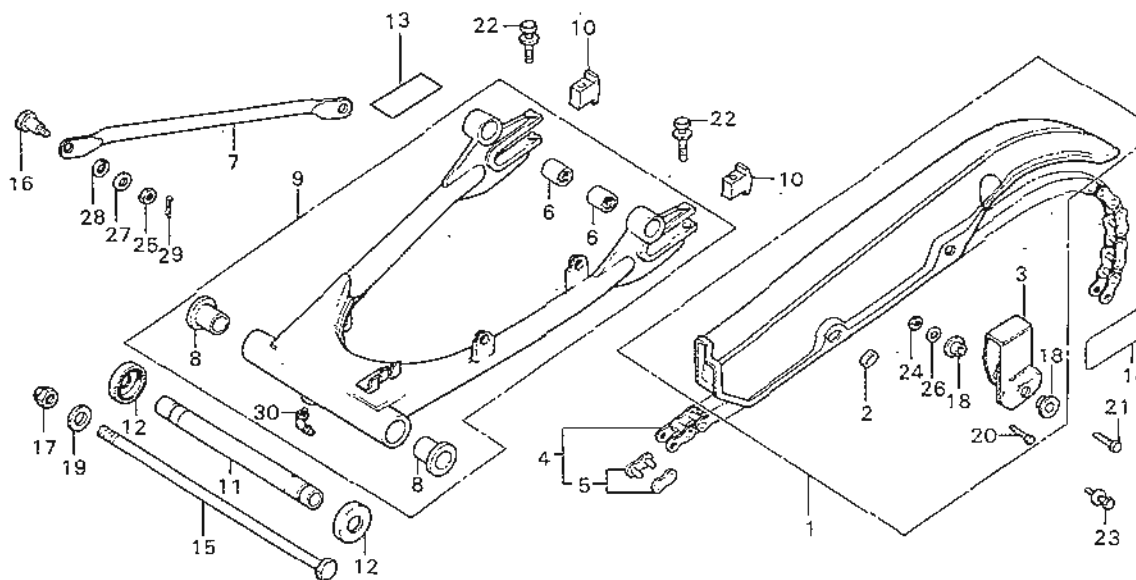
Service item	F.R.T.	Ref. No.	Part No.	Description	Reqd. No.			Serial No.	Area code
					CB500	CB550			
		42	95700-06018-00	BOLT, FLANGE, 6X18	2	2		DK, DM, E, ED, F, G, U	
		43	95700-10028-00	BOLT, FLANGE, 10X28	2	2	4	A, CH	

1978.07.01



# F-20

## Rear fork • Chain



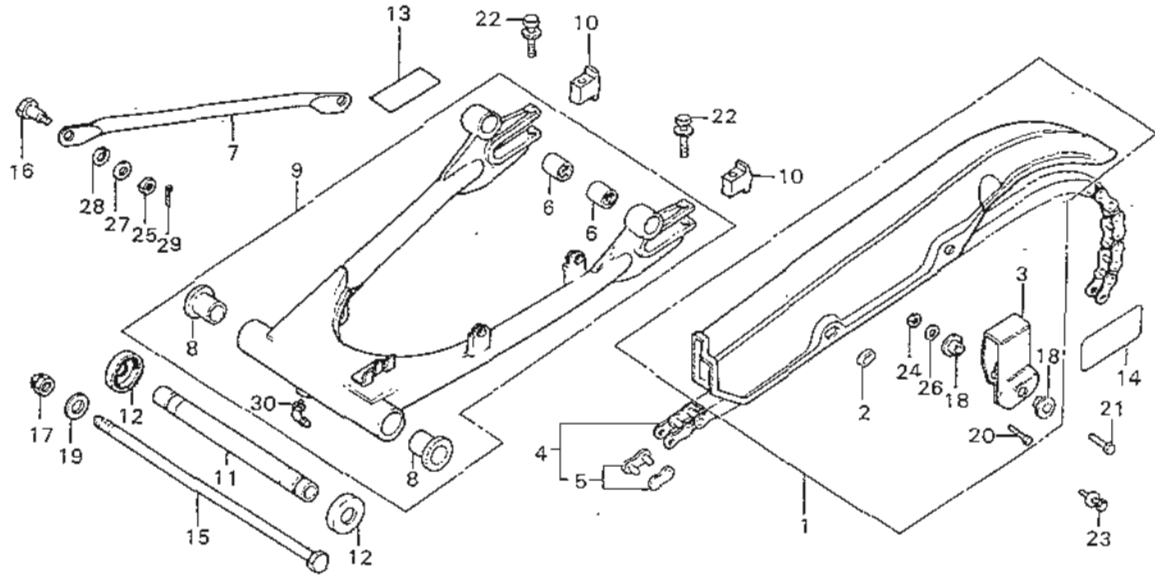
8404-25A

Service item	-F.R.T.	Ref. No.	Part No.	Description	Reqd. No.			Serial No.	Area code
					CB500	CB550	K3 K3 K4		
REAR FORK PIVOT BUSH	1.0	1	40510-323-0008	CASE, DRIVE CHAIN	1	1	1		
• REAR CUSHION UNDER RUBBER BUSH		2	40511-300-000	COLLAR, CHAIN CASE	1	1	1		
REAR FORK ASSY.	0.8	3	40512-300-000	PLATE, DRIVE CHAIN CASE	1	1	1		
REAR FORK CENTER COLLAR	0.7	4	40530-404-003	CHAIN, DRIVE	1				
DRIVE CHAIN and its related parts	0.3			(DID50HDSKAI-100L ENDLESS)		1	1	A,CM,DK,DM,E,F,G,U	
REAR BRAKE STOPPER ARM	0.2		40530-404-006	CHAIN, DRIVE	1				
DRIVE CHAIN CASE	0.1			(RK50NS-100L ENDLESS)		1	1	A,CM,DK,DM,E,F,G,U	
			40535-404-003	CHAIN, DRIVE	1			ED	
				(DID50HDSKAI-98L)		1		ED	
			40535-404-006	CHAIN, DRIVE (RK50NS-98L)		1			
		5	40531-404-003	JOINT, DRIVE CHAIN (DID-XJ)	(1)			A,CM,DK,DM,E,F,G,U	
						(1)	(1)		
			40531-392-305	JOINT, DRIVE CHAIN (RK50SS)	(1)			A,CM,DK,DM,E,F,G,U	
						(1)	(1)		
		6	40548-268-000	BUSH, RR. CUSHION UNDER RUBBER	2	2	2		
		7	43431-404-000	ARM, RR. BRAKE STOPPER	1	1	1		
		8	52108-457-300	BUSH, RR. FORK PIVOT	2	2	2		
		9	52110-404-670ZA	FORK ASSY., RR. *NH-1*	1	1	1		
		10	52136-300-000	STOPPER, CHAIN ADJUSTER	2	2	2		
		11	52141-390-000	COLLAR, RR. FORK CENTER	1	1	1		
		12	52144-362-000	CAP, RR. FORK DUST SEAL	2	2	2		
		13	87504-028-670	MARK, MUFFLER CAUTION	1	1		A,CM	
		14	87505-404-600	MARK, TIRE CAUTION	1			DK,DM,E,ED,F,G,U	
			87505-404-630	MARK, TIRE CAUTION	1				
			87505-404-670	MARK, TIRE CAUTION	1			A,CM	
						1		2108050	

1978.07.01

# F-20

## Rear fork - Chain



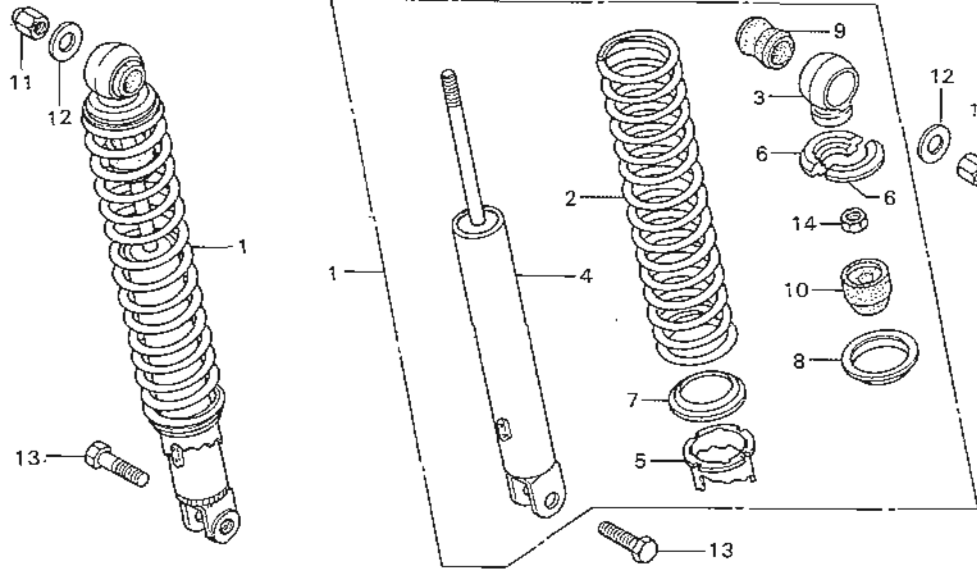
Courtesy of  Honda4Fun  
www.honda4fun.com

B404-25A

Service item	F.R.T.	Ref. No.	Part No.	Description	Reqd. No.			Serial No.	Area code
					CB500	CB550	K3 K3 K4		
			87505-404-671	MARK, TIRE CAUTION	1	1	1	2108051	
		15	90121-390-000	BOLT, RR. FORK PIVOT	1	1	1		
		16	90133-286-000	BOLT, RR. BRAKE STOPPER ARM	1	1	1		
		17	90394-268-000	NUT, SELF LOCK, 14MM	1	1	1		
		18	90512-300-000	WASHER, 6X20	2	2	2		
		19	90526-268-000	WASHER, RR. FORK PIVDT BOLT	1	1	1		
		20	92000-06014	BOLT, HEX., 6X14	1	1	1		
		21	92000-06016	BOLT, HEX., 6X16	1	1	1		
		22	93481-08040-00	BOLT-WASHER, 8X40	2	2	2		
		23	93494-06012-00	BOLT-WASHER, 6X12	1	1	1		
		24	94001-06000	NUT, HEX., 6MM	1	1	1		
		25	94001-08000-05	NUT, HEX., 8MM	1	1	1		
		26	94101-06000	WASHER, PLAIN, 6MM	1	1	1		
		27	94101-08000	WASHER, PLAIN, 8MM	1	1	1		
		28	94111-10000	WASHER, SPRING, 10MM	1	1	1		
		29	94201-20180	PIN, SPLIT, 2.0X18	1	1	1		
		30	96201-80000	NIPPLE, GREASE, 8.T6S	1	1	1		

# F-21

Rear cushion  
(CB500K3~1003567)  
(CB550K3~2020497)



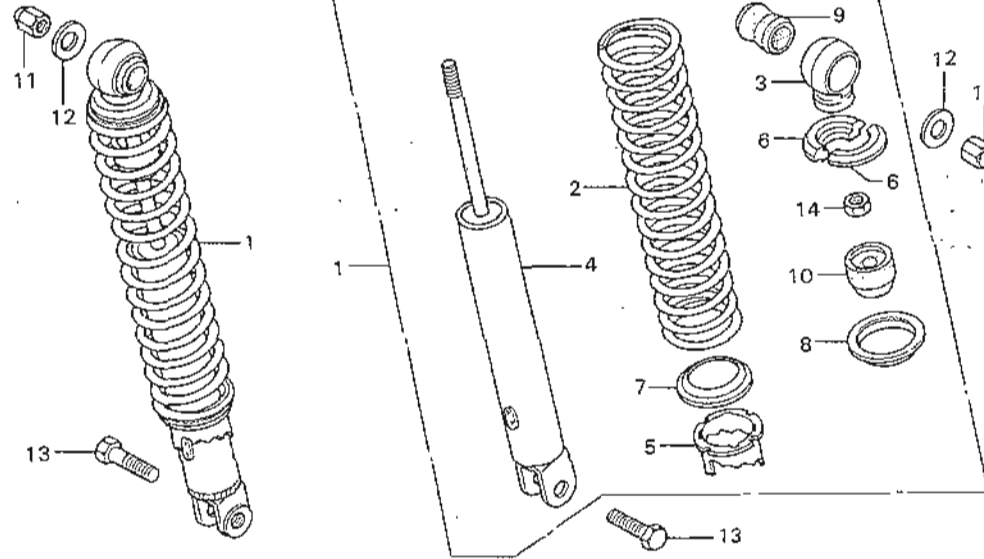
8404-26

Service item	- F.R.T.	Ref. No.	Part No.	Description	Reqd. No.			Serial No.	Area code
					CB500 K3	CB550 K3	K4		
REAR CUSHION SPRING and its related parts	0.3	1	52400-375-611	CUSHION ASSY., RR.	2			1003567	
REAR CUSHION ASSY.	0.1				2			2020497	DK,DM,E,ED,F,G,U A,CM
* Add 0.1		2	52401-323-000	SPRING, RR. CUSHION	2			1003567	
					2			2020497	DK,DM,E,ED,F,G,U A,CM
		3	52403-312-000	JOINT, UPPER	2			1003567	
					2			2020497	DK,DM,E,ED,F,G,U A,CM
		4	52410-375-611	DAMPER ASSY., RR.	2			1003567	
					2			2020497	DK,DM,E,ED,F,G,U A,CM
		5	52422-390-003	ADJUSTER, SPRING (SHOWA)	2			1003567	
					2			2020497	DK,DM,E,ED,F,G,U A,CM
		6	52424-331-003	STOPPER, SPRING SEAT (SHOWA)	4			1003567	
					4			2020497	DK,DM,E,ED,F,G,U A,CM
		7	52458-329-000	SEAT, RR. CUSHION SPRING UNDER	2			1003567	
					2			2020497	DK,DM,E,ED,F,G,U A,CM
		8	52459-312-003	SEAT, RR. CUSHION SPRING (SHOWA)	2			1003567	
					2			2020497	DK,DM,E,ED,F,G,U A,CM
		9	52484-292-000	RUBBER, JOINT	2			1003567	
					2			2020497	DK,DM,E,ED,F,G,U A,CM

1578.07.01

# F-21

Rear cushion  
(CB500K3~1003567)  
(CB550K3~2020497)



8404-26

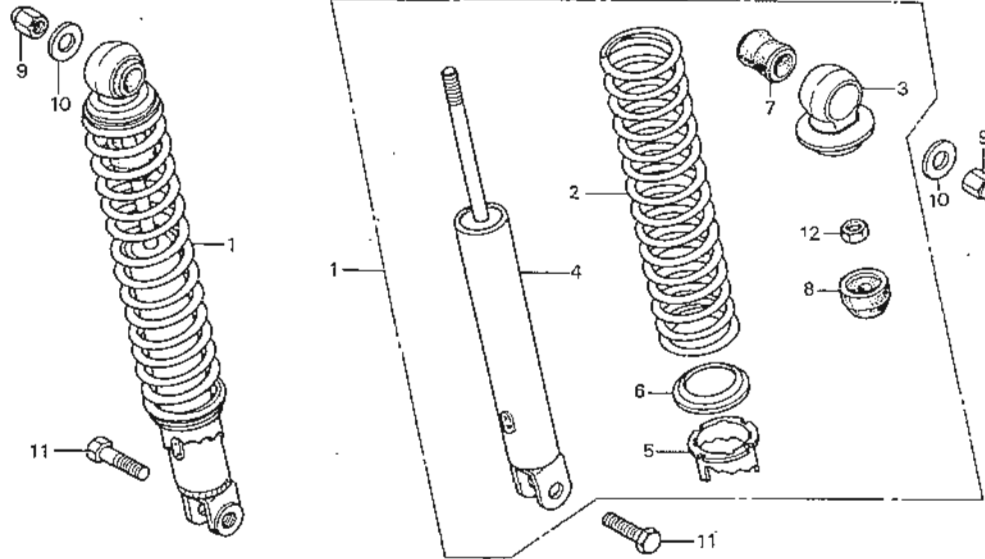
Service item	F.R.T.	Ref. No.	Part No.	Description	Reqd. No.			Serial No.	Area code
					CB500 K3	CB550 K3	K4		
		10	52517-358-771	RUBBER, STOPPER	2			1003567 2020497	DK,DM,E,ED,F,G,U A,CM
		11	90309-315-000	NUT, RR. CUSHION UPPER	2			1003567 2020497	DK,DM,E,ED,F,G,U A,CM
		12	90521-292-000	WASHER, 10.3MM	2			1003567 2020497	DK,DM,E,ED,F,G,U A,CM
		13	93000-10032-0A	BOLT, HEX., 10X32	2			1003567 2020497	DK,DM,E,ED,F,G,U A,CM
		14	94002-10000-0S	NUT, HEX., 10MM	2			1003567 2020497	DK,DM,E,ED,F,G,U A,CM

1978.07.01

# F-21-1

## Rear cushion

(CB500K3 1003568~)  
 (CB550K3 2020498~)  
 CB550K4



B404-54

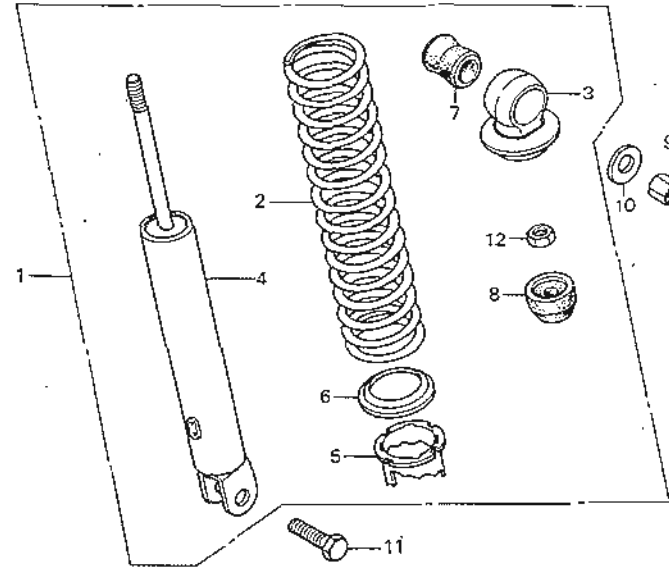
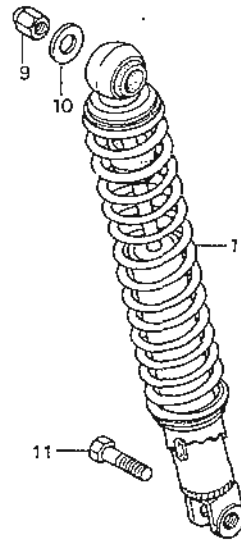
Service item	F.R.T.	Ref. No.	Part No.	Description	Reqd. No.			Serial No.	Area code
					CB500 K3	CB550 K3	K4		
REAR CUSHION SPRING and its related parts	0.3	1	52400-404-013	CUSHION ASSY., RR.	2		1003568 2020498	DK,DM,E,ED,F,G,U	
REAR CUSHION ASSY.	0.1	2	52401-323-000	SPRING, RR. CUSHION	2	2	1003568 2020498	DK,DM,E,ED,F,G,U	
		3	52403-404-013	JOINT COMP., UPPER	2	2	1003568 2020498	DK,DM,E,ED,F,G,U	
		4	52410-404-003	CUSHION COMP., RR.	2	2	1003568 2020498	DK,DM,E,ED,F,G,U	
		5	52422-404-003	ADJUSTER, SPRING	2	2	1003568 2020498	DK,DM,E,ED,F,G,U	
		6	52458-329-000	SEAT, RR. CUSHION SPRING UNDER	2	2	1003568 2020498	DK,DM,E,ED,F,G,U	
		7	52484-292-000	RUBBER, JOINT	2	2	1003568 2020498	DK,DM,E,ED,G,U	
		8	52517-404-003	RUBBER, STOPPER	2	2	1003568 2020498	DK,DM,E,ED,F,G,U	
		9	90309-315-000	NUT, RR. CUSHION UPPER	2	2	1003568 2020498	DK,DM,E,ED,F,G,U	

1978.07.01

# F-21-1

## Rear cushion

(CB500K3 1003568~)  
 (CB550K3 2020498~)  
 (CB550K4



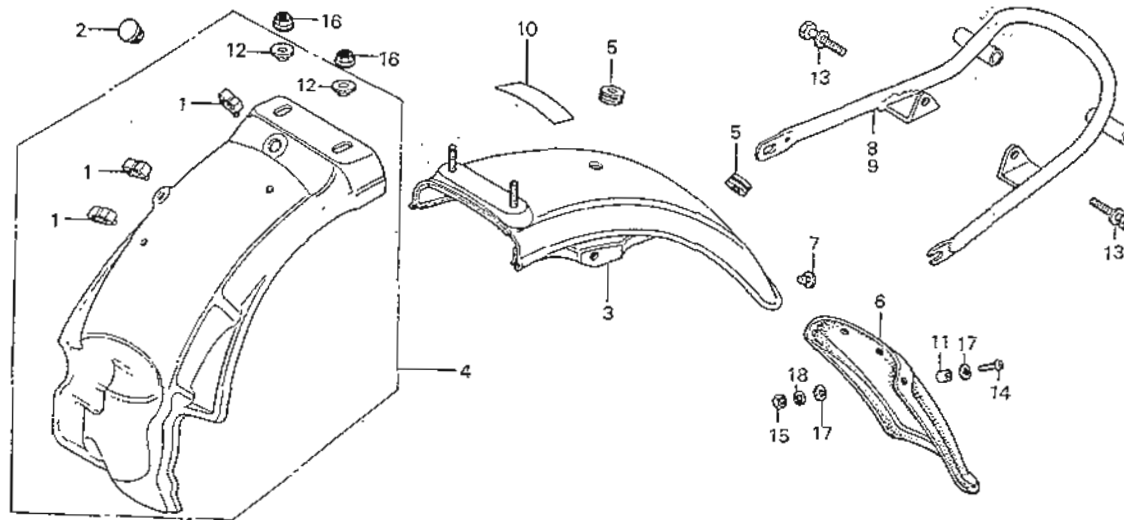
B404-54

Service item	F.R.T.	Ref. No.	Part No.	Description	Reqd. No.			Serial No.	Area code
					CB500 K3	CB550 K3	CB550 K4		
		10	90521-292-000	WASHER, 10.3MM	2		1003568 2020498	DK,DM,E,ED,F,G,U	
		11	93000-10032-0A	BOLT, HEX., 10X32	2		1003568 2020498	DK,DM,E,ED,F,G,U	
		12	94002-10000-0S	NUT, HEX., 10MM	2		1003568 2020498	DK,DM,E,ED,F,G,U	

1978.07.01

# F-22

## Rear fender



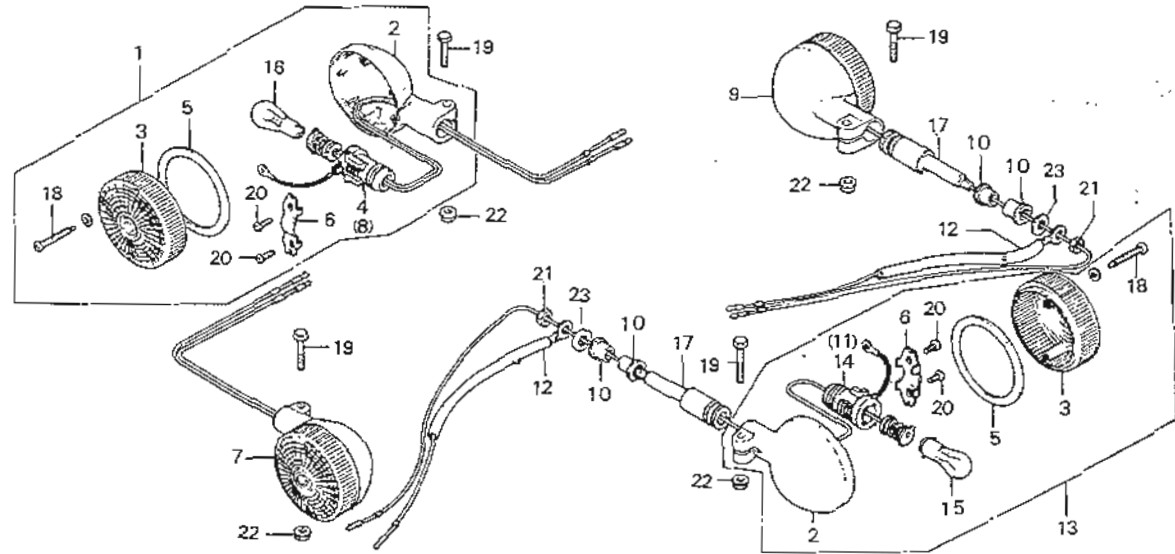
8404-27B

Service item	F.R.T.	Ref. No.	Part No.	Description	Reqd. No.			Serial No.	Area code
					CB500	CB550	K3 K3 K4		
REAR FENDER ASSY. B.	0.9	1	32985-300-000	GROMMET, WIRE CORD	3	3	3		
REAR FENDER A.	0.4	2	73871-538-000	GROMMET, DOOR SWITCH	1	1	1		
• REAR BUMPER		3	80100-404-610	FENDER A, RR.	1	1			ED,G
REAR FENDER MODGUARD	0.1		80100-404-670	FENDER A, RR.		1	1		A,CM,DK,DM,E,F,U
		4	80101-390-000	FENDER ASSY. B, RR.	1	1	1		
		5	80102-323-000	GROMMET, WIRE CORD	2	2	2		
		6	80121-323-630	MUDGUARD, RR. FENDER	1	1			ED,G
		7	80124-351-000	PLUG, RR. FENDER	(4)	(4)			ED
		8	84100-404-610	BUMPER, RR.	1	1			E,ED,F,G
		9	84100-404-670	BUMPER, RR.		1	1		A,CM,DK,DM,U
		10	87512-371-670	MARK, ACCESSORIES & LOADING CAUTION	1	1			A,CM
		11	90325-323-630	COLLAR, RR. MUDGUARD	4	4			ED,G
		12	90512-300-000	WASHER, 6X20	2	2	2		
		13	93481-08032-00	BOLT-WASHER, 8X32	2	2	2		
		14	93500-06020-49	SCREW, PAN, 6X20	4	4	4		
		15	94001-06000	NUT, HEX., 6MM	4	4			ED,G
		16	94050-06080	NUT, FLANGE, 6MM	2	2	2		
		17	94101-06000	WASHER, PLAIN, 6MM	8	8			ED,G
		18	94111-06000	WASHER, SPRING, 6MM	4	4			ED,G

1978.07.01

# F-23

## Winker (A.CM)



B404-28

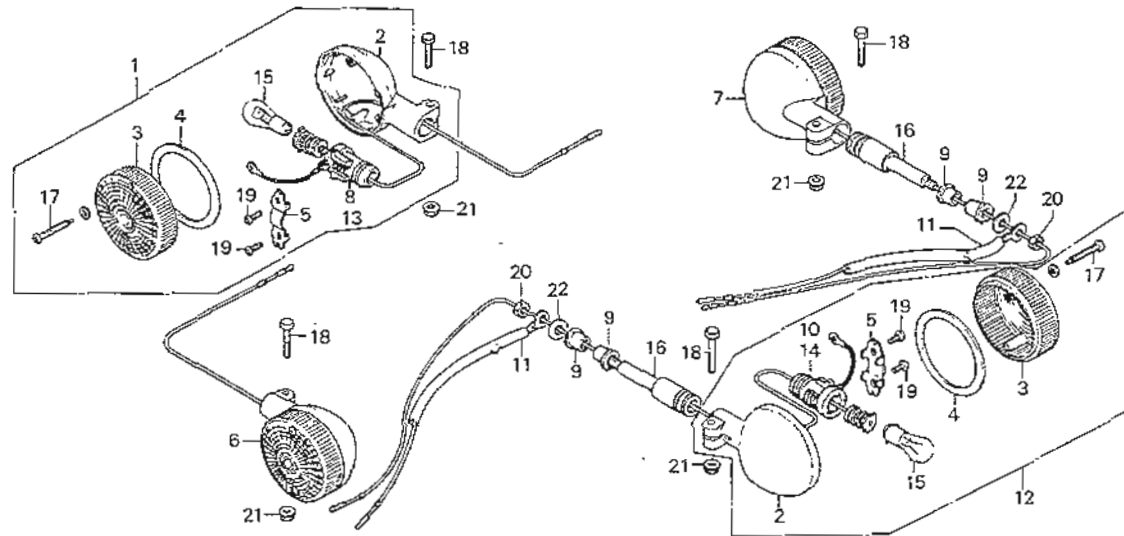
Service item	F.R.T.	Ref. No.	Part No.	Description	Reqd. No.			Serial No.	Area code
					CB500	CB550	K3 K3 K4		
WINKER ASSY. and its related parts	0.2	1	33400-377-671	WINKER ASSY., R. FR.	1	1		A,CM	
• Add 0.1		2	33401-377-671	BASE, R. FR. WINKER	4	4		A,CM	
WINKER LENS/BULB	0.1	3	33402-377-671	LENS, FR. WINKER	4	4		A,CM	
• One motorcycle 0.2		4	33405-377-671	SOCKET COMP., R. FR. WINKER	1	1		A,CM	
		5	33406-377-671	PACKING, WINKER LENS	4	4		A,CM	
		6	33407-377-671	HOLDER, FR. WINKER SOCKET	4	4		A,CM	
		7	33450-377-671	WINKER ASSY., L. FR.	1	1		A,CM	
		8	33455-377-671	SOCKET COMP., L. FR. WINKER	1	1		A,CM	
		9	33600-374-671	WINKER ASSY., R. RR.	1	1		A,CM	
		10	33606-371-000	RUBBER, RR. WINKER MOUNT	4	4		A,CM	
		11	33610-374-671	SOCKET COMP., R. RR. WINKER	1	1		A,CM	
		12	33620-393-000	CORD, WINKER EARTH	2	2		A,CM	
		13	33650-374-671	WINKER ASSY., L. RR.	1	1		A,CM	
		14	33660-374-671	SOCKET COMP., L. RR. WINKER	1	1		A,CM	
		15	34905-268-671	BULB, WINKER (12V23W)	2	2		A,CM	
		16	34906-313-671	BULB, STOP & TAILLIGHT (12V23/8W)	2	2		A,CM	
		17	90155-404-670	BOLT, RR. WINKER SET	2	2		A,CM	
		18	90192-377-671	SCREW, PAN, 4X25	8	8		A,CM	
		19	93008-06035-02	BOLT, HEX., 6X35	4	4		A,CM	
		20	93500-03008-0H	SCREW, PAN, 3X8	8	8		A,CM	
		21	94001-10000-0S	NUT, HEX., 10MM	2	2		A,CM	
		22	94050-06080	NUT, FLANGE, 6MM	4	4		A,CM	
		23	94101-10000	WASHER, PLAIN, 10MM	2	2		A,CM	

1978.07.01



# F-23-1

## Winker (DK, DM, U)



Courtesy of  Honda4Fun  
www.hondafour.com www.honda4fun.com

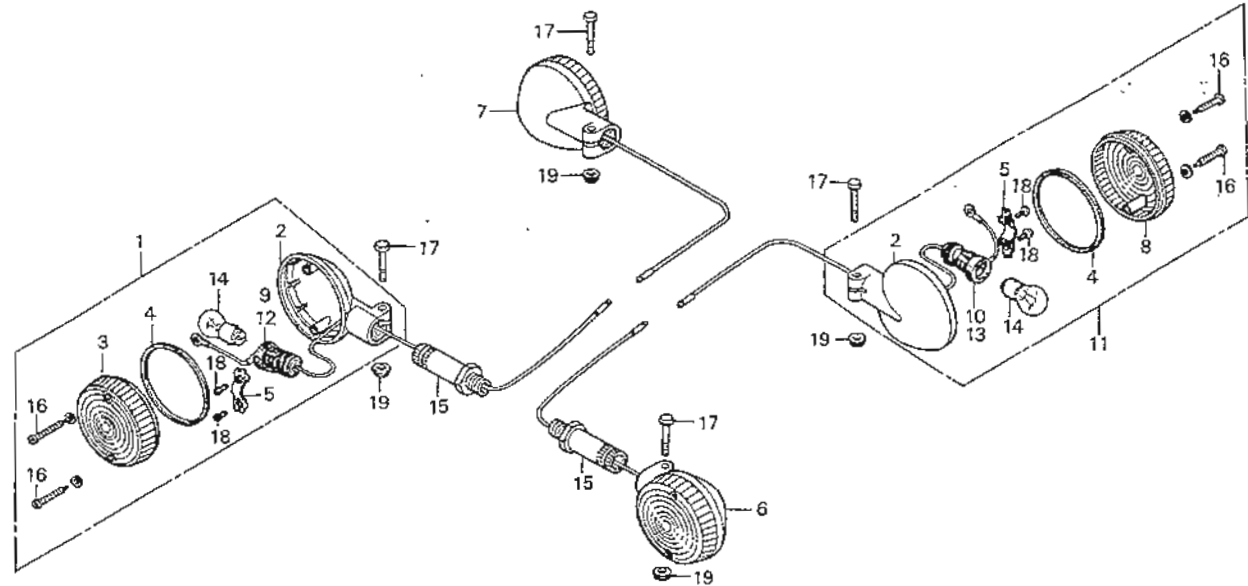
B404-28A

Service item	F.R.T.	Ref. No.	Part No.	Description	Reqd. No.			Serial No.	Area code
					CB500	CB550	K3 K4		
WINKER ASSY. and its related parts • Add 0,1	0.2	1	33400-390-003	WINKER ASSY., R. FR.	1			DK, DM, U	
		2	33401-390-003	BASE, R. FR. WINKER	4			DK, DM, U	
WINKER LENS/BULB • One motorcycle 0.2	0.1	3	33402-377-671	LENS, FR. WINKER	4			DK, DM, U	
		4	33406-377-671	PACKING, WINKER LENS	4			DK, DM, U	
		5	33407-377-671	HOLDER, FR. WINKER SOCKET	4			DK, DM, U	
		6	33450-390-003	WINKER ASSY., L. FR.	1			DK, DM, U	
		7	33600-390-003	WINKER ASSY., R. RR.	1			DK, DM, U	
		8	33605-377-671	SOCKET COMP., R. WINKER	1			DK, DM, U	
		9	33606-371-000	RUBBER, RR. WINKER MOUNT	4			DK, DM, U	
		10	33610-374-671	SOCKET COMP., R. RR. WINKER	1			DK, DM, U	
		11	33620-393-000	CORD, WINKER EARTH	2			DK, DM, U	
		12	33650-390-003	WINKER ASSY., L. RR.	1			DK, DM, U	
		13	33655-377-671	SOCKET COMP., L. WINKER	1			DK, DM, U	
		14	33660-374-671	SOCKET COMP., L. RR. WINKER	1			DK, DM, U	
		15	34905-268-671	BULB, WINKER (12V23W)	4			DK, DM, U	
		16	90155-404-670	BOLT, RR. WINKER SET	2			DK, DM, U	
		17	90192-377-671	SCREW, PAN, 4X25	8			DK, DM, U	
		18	93000-06035-02	BOLT, HEX., 6X35	4			DK, DM, U	
		19	93500-03008-0H	SCREW, PAN, 3X8	8			DK, DM, U	
		20	94001-10000-0S	NUT, HEX., 10MM	2			DK, DM, U	
		21	94050-06080	NUT, FLANGE, 6MM	4			DK, DM, U	
		22	94101-10000	WASHER, PLAIN, 10MM	2			DK, DM, U	

1978.07.01

# F-23-2

## Winker (E,ED,F,G)

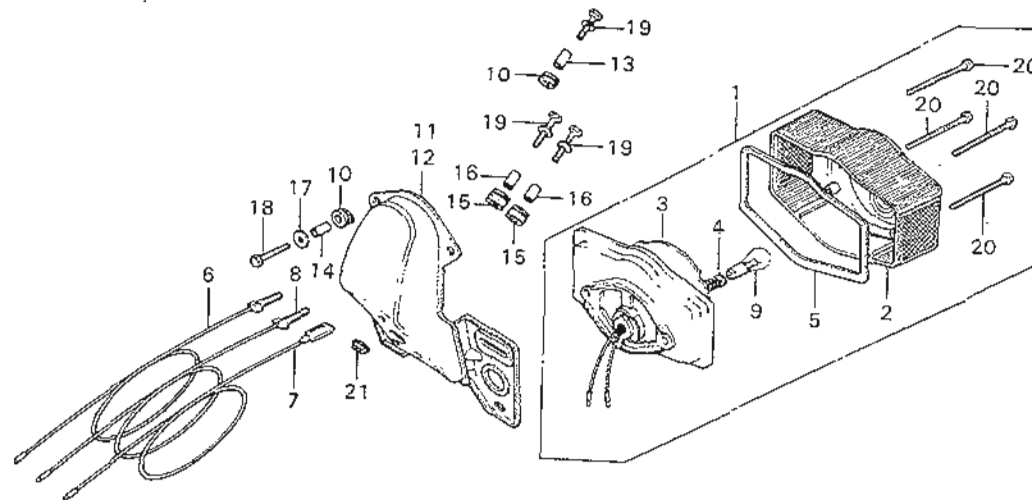


8405-60

Service item	F.R.T.	Ref. No.	Part No.	Description	Reqd. No.			Serial No.	Area code
					CB500	CB550	K3 K3 K4		
WINKER ASSY. and its related parts • Add 0.1	0.2	1	33400-371-601	WINKER ASSY., R. FR.	1	1		E,ED,F,G	
		2	33401-390-003	BASE, R. FR. WINKER	4	4		E,ED,F,G	
		3	33402-377-671	LENS, FR. WINKER	2	2		E,ED,F,G	
		4	33406-377-671	PACKING, WINKER LENS	4	4		E,ED,F,G	
		5	33407-371-601	HOLDER, FR. WINKER SOCKET	4	4		E,ED,F,G	
WINKER LENS/BULB • One motorcycle 0.2	0.1	6	33450-371-601	WINKER ASSY., L. FR.	1	1		E,ED,F,G	
		7	33600-404-601	WINKER ASSY., R. RR.	1	1		E,ED,F,G	
		8	33602-371-601	LENS, RR. WINKER	2	2		E,ED,F,G	
		9	33605-377-671	SOCKET COMP., R. WINKER	1	1		E,ED,F,G	
		10	33605-404-601	SOCKET COMP., R. RR.	1	1		E,ED,F,G	
		11	33650-404-601	WINKER ASSY., L. RR.	1	1		E,ED,F,G	
		12	33655-377-671	SOCKET COMP., L. WINKER	1	1		E,ED,F,G	
		13	33655-404-601	SOCKET COMP., L. RR.	1	1		E,ED,F,G	
		14	34908-634-611	BULB (12V21W)	4	4		E,ED,F,G	
		15	90154-404-610	BOLT, FR. WINKER SET	2	2		E,ED,F,G	
		16	90192-377-671	SCREW, PAN, 4X25	8	8		E,ED,F,G	
		17	93000-06035-02	BOLT, HEX., 6X35	4	4		E,ED,F,G	
		18	93500-03008-0H	SCREW, PAN, 3X8	8	8		E,ED,F,G	
		19	94050-06080	NUT, FLANGE, 6MM	4	4		E,ED,F,G	

# F-24

## Taillight (A,CM,DK,DM,U)

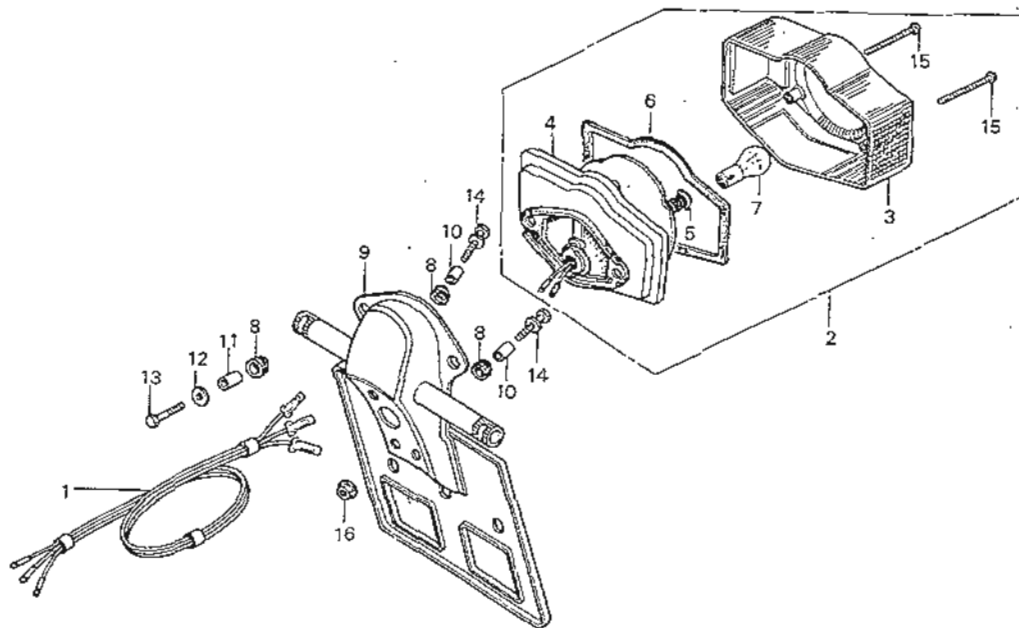


B404-29A

Service item	F.R.T.	Ref. No.	Part No.	Description	Reqd. No. C8500 CB550 K3 K3 K4	Serial No.	Area code
NUMBER PLATE BRACKET	03	1	33701-341-900	TAILLIGHT UNIT	1		DK,DM,U
TAIL LIGHT UNIT/BASE and its related parts	0.2		33701-341-910	TAILLIGHT UNIT (12V 32/3CP)	1	1	A,CM
• TAIL LIGHT SUB CORD		2	33702-341-003	LENS, TAILLIGHT	1		DK,DM,U
TAIL LIGHT LENS/BULB	0.1		33702-341-671	LENS, TAILLIGHT	1	1	A,CM
		3	33703-341-900	BASE COMP., TAILLIGHT	1	1	A,CM,DK,DM,U
		4	33708-341-671	CORD COMP., TAILLIGHT	1	1	A,CM,DK,DM,U
		5	33709-341-671	PACKING, TAILLIGHT LENS	1	1	A,CM,DK,DM,U
		6	33711-028-000	SUB CORD, TAILLIGHT (BROWN)	1	1	A,CM,DK,DM,U
		7	33712-300-003	CORD, TAILLIGHT EARTH (STANLEY)	1	1	A,CM,DK,DM,U
		8	33713-028-000	SUB CORD, STOP LIGHT (GREEN YELLOW)	1	1	A,CM,DK,DM,U
		9	34906-313-671	BULB, STOP & TAILLIGHT (12V23/8W)	1		DK,DM,U
			34906-341-671	BULB, TAILLIGHT (12V32/3CP)	1	1	A,CM
		10	80101-283-000	RUBBER, RR. FENDER CUSHION	3	3	A,CM,DK,DM,U
		11	84700-393-670	BRACKET, NUMBER PLATE	1	1	A,CM
		12	84701-404-000	BRACKET, NUMBER PLATE	1		DK,DM,U
		13	84706-286-000	COLLAR, NUMBER BRACKET SETTING	1	1	A,CM,DK,DM,U
		14	84706-378-000	COLLAR, TAILLIGHT UNIT	2	2	A,CM,DK,DM,U
		15	84905-333-000	RUBBER, CUSHION	2	2	A,CM,DK,DM,U
		16	84906-118-000	COLLAR, NUMBER BRACKET	2	2	A,CM,DK,DM,U
		17	90581-310-000	WASHER, PLAIN, 20MM	2	2	A,CM,DK,DM,U
		18	92000-05025-0A	BOLT, HEX., 5X25	2	2	A,CM,DK,DM,U
		19	93494-06022-00	BOLT-WASHER, 6X22	3	3	A,CM,DK,DM,U
		20	93500-04055-4J	SCREW, PAN, 4X55	4	4	A,CM,DK,DM,U
		21	94050-06080	NUT, FLANGE, 6MM 1978.07.01	1	1	A,CM,DK,DM,U

# F-24-1

## Taillight (E,ED,F,G)

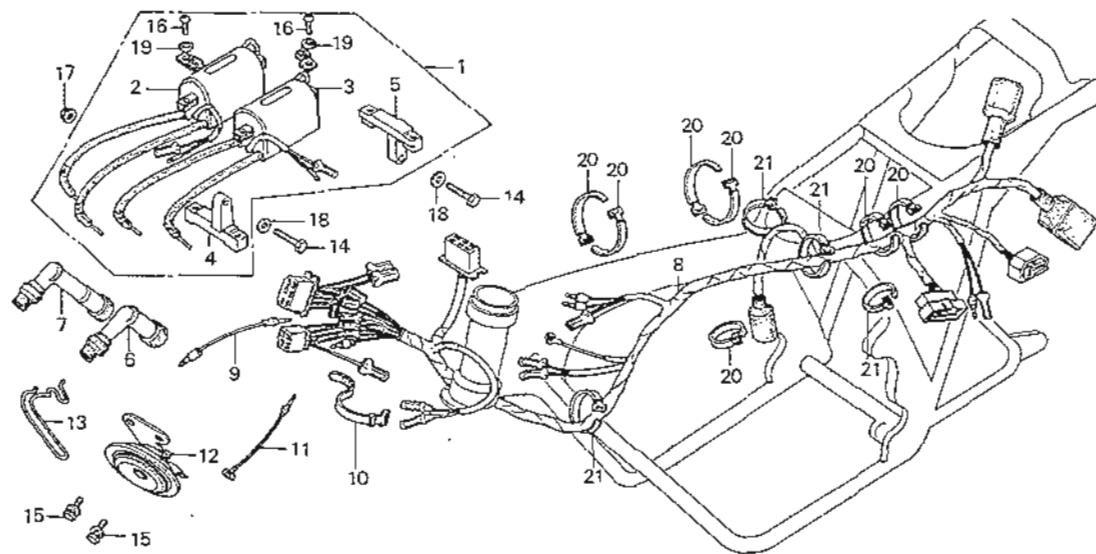


8405-61A

Service item	F.R.T.	Ref. No.	Part No.	Description	Reqd. No.			Serial No.	Area code
					CB500	CB550	K3 K3 K4		
NUMBER PLATE BRACKET	0.5	1	32111-404-600	SUB CORD, TAILLIGHT	1	1		E,ED,F,G	
TAILLIGHT UNIT/BASE and its related parts	0.2	2	33701-371-602	TAILLIGHT UNIT	1	1		E,ED,F,G	
• TAILLIGHT SUB CORD		3	33702-371-602	LENS, TAILLIGHT	1	1		E,ED,F,G	
TAILLIGHT LENS/BULB	0.1	4	33703-371-601	BASE COMP., TAILLIGHT	1	1		E,ED,F,G	
		5	33708-371-601	CORD COMP., TAILLIGHT	1	1		E,ED,F,G	
		6	33709-341-671	PACKING, TAILLIGHT LENS	1	1		E,ED,F,G	
		7	34911-634-611	BULB (12V21/5W) (LOCAL PROCUREMENT)	1	1		E,ED,F,G	
		8	80101-283-000	RUBBER, RR. FENDER CUSHION	5	5		E,ED,F,G	
		9	84701-404-610	BRACKET, NUMBER PLATE	1	1		E,ED,F,G	
		10	84706-286-000	COLLAR, NUMBER BRACKET SETTING	3	3		E,ED,F,G	
		11	84706-378-000	COLLAR, TAILLIGHT UNIT	2	2		E,ED,F,G	
		12	90581-310-000	WASHER, PLAIN, 20MM	2	2		E,ED,F,G	
		13	92000-05025-0A	BOLT, HEX., 5X25	2	2		E,ED,F,G	
		14	93494-06022-00	BOLT-WASHER, 6X22	3	3		E,ED,F,G	
		15	93500-04055-4J	SCREW, PAN, 4X55	4	4		E,ED,F,G	
		16	94050-06080	NUT, FLANGE, 6MM	1	1		E,ED,F,G	

# F-25

Wire harness • Horn •  
Ignition coil



Courtesy of  Honda4Fun  
www.honda4fun.com www.honda4fun.com

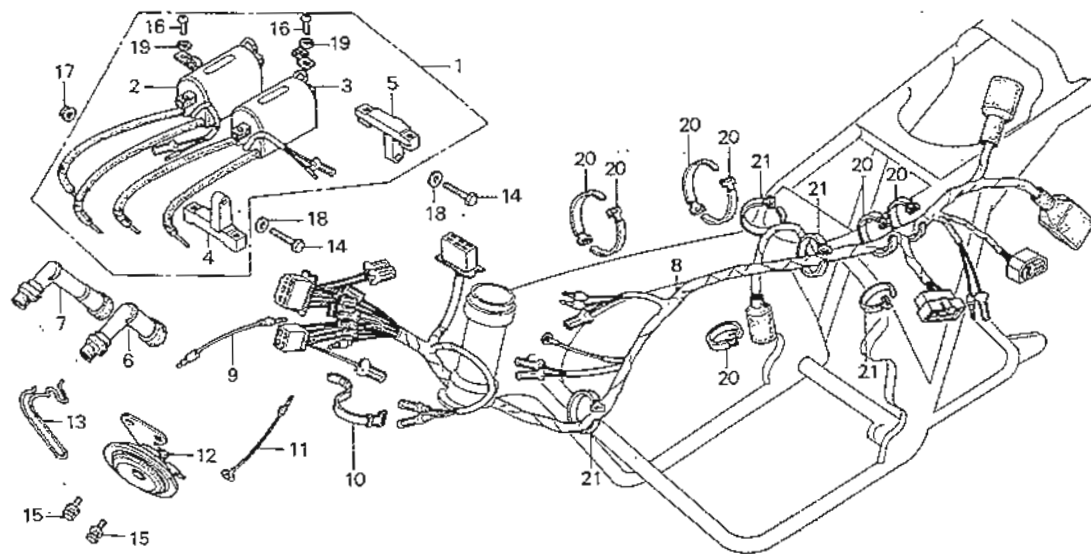
B404-30A

Service item	F.R.T.	Ref. No.	Part No.	Description	Reqd. No.			Serial No.	Area code
					CB500 K3	CB550 K3	K4		
WIRE HARNESS	2.2	1	30500-404-000	COIL ASSY., IGNITION	1	1	1		
IGNITION COIL ASSY. and its related parts	0.5	2	30501-404-000	COIL, R. IGNITION	1	1	1		
HORN COMP.	0.2	3	30502-404-000	COIL, L. IGNITION	1	1	1		
TACHOMETER CABLE CLAMP	0.1	4	30511-300-000	BRACKET, IGNITION COIL	1	1	1		
• NOISE SUPPRESSOR CAP ASSY.		5	30512-323-000	BRACKET B, IGNITION COIL	1	1	1		
• One or all		6	30700-300-010	CAP ASSY. A, NOISE SUPPRESSOR		2		2009388	A,DK,DM,E,ED,F,G,U
			30700-405-153	CAP ASSY. A, NOISE SUPPRESSOR	2	2		2009389	A,ED A,DK,DM,E,ED,F,G,U
		7	30701-323-023	CAP ASSY. C, NOISE SUPPRESSOR		2		2009388	CM A,DK,DM,E,ED,F,G,U
			30700-390-153	CAP ASSY. C, NOISE SUPPRESSOR	2	2		2009389	A,ED A,DK,DM,E,ED,F,G,U
		8	32100-404-670	HARNESS, WIRE		2			CM
		9	32105-404-670	SUB CORD (BROWN/BLUE)	1	1	1		A,CM
		10	32161-404-000	BAND B1, WIRE	1	1	1		
		11	38102-404-000	SUB CORD, HORN	1	1			DK,DM,E,ED,F,G,U
		12	38110-392-621	HORN COMP.		1	1		A,CM,DK,DM,E,F,G,U
			38100-404-641	HORN ASSY.	1	1			ED
		13	50462-323-010	CLAMP, TACHOMETER CABLE	1	1	1		
		14	92000-06025	BOLT, HEX., 6X25	2	2	2		
		15	93482-06016-00	BOLT-WASHER, 6X16	2	2	2		
		16	93500-05020-0A	SCREW, PAN, 5X20	4	4	4		
		17	94050-06080	NUT, FLANGE, 6MM	1	1	1		
		18	94101-06000	WASHER, PLAIN, 6MM	2	2	2		
		19	94111-05000	WASHER, SPRING, 5MM	4	4	4		
		20	95014-61100	BAND A1, WIRE	7	7	7		

1978.07.01

# F-25

Wire harness • Horn •  
Ignition coil



Courtesy of  Honda4Fun  
www.hondafun.com www.honda4fun.com

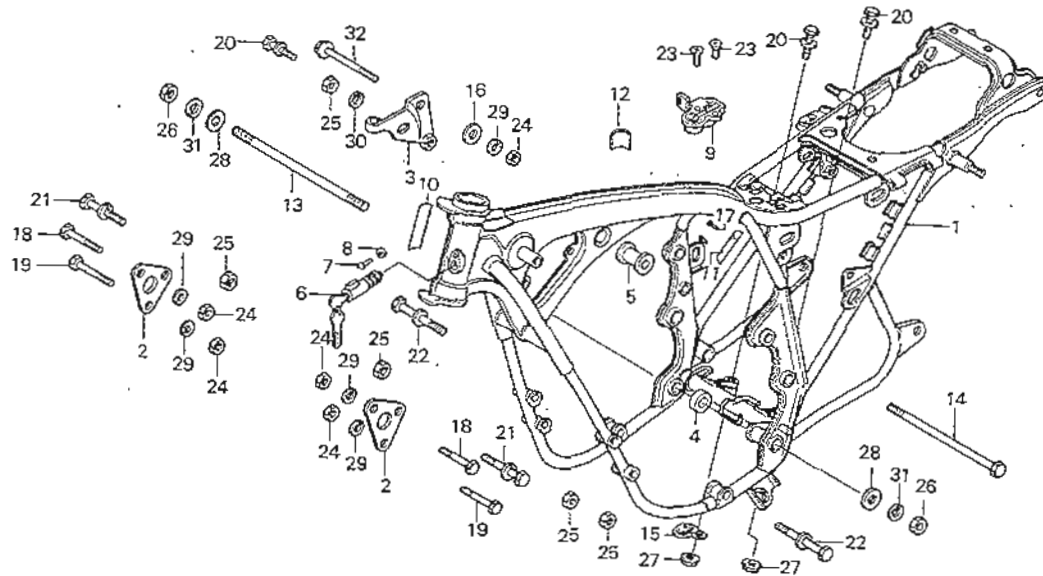
8404-30A

Service item	F.R.T.	Ref. No.	Part No.	Description	Reqd. No. CB500 CB550 K3 K3 K4	Serial No.	Area code
		21	95014-61200	BAND A2, WIRE	4 4 4		

1978.07-01

# F-26

## Frame body



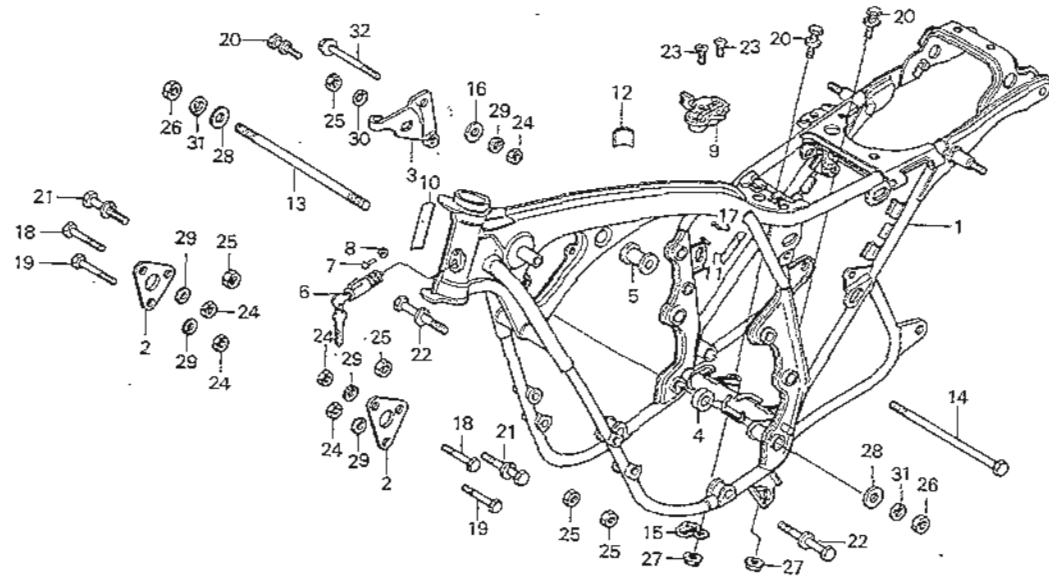
B404-31A

Service item	F.R.T.	Ref. No.	Part No.	Description	Reqd. No.			Serial No.	Area code
					CB500 K3	CB550 K3	K4		
FRAME BODY	8.5	1	50100-404-000ZA	BODY COMP., FRAME #NH-1*	1	1		DK,DM	
SEAT LOCK ASSY.	0.1		50100-404-610ZA	BODY COMP., FRAME #NH-1*	1	1		E,ED,F,G	
			50100-404-670ZA	BODY COMP., FRAME #NH-1*	1	1		A,CM,U	
		2	50351-323-0108	BRACKET, FR. ENGINE HANGER	2	2			
		3	50356-374-010	BRACKET, RR. ENGINE HANGER	1	1			
		4	50357-323-010	COLLAR, R. ENGINE UNDER SIDE	1	1			
		5	50359-323-010	COLLAR, L. ENGINE UPPER	1	1			
		6	53600-404-610	LOCK COMP., STEERING HANDLE	1	1		E,ED,F,G	
		7	53603-051-000	RIVET, 4.1MM	1	1		E,ED,F,G	
		8	53604-098-940	WASHER, 4.5MM	1	1		E,ED,F,G	
		9	77230-388-017	LOCK ASSY., SEAT (HONDA LOCK)	1	1	2015288	A,CH	
			77230-399-007	LOCK ASSY., SEAT (HONDA LOCK)	1	1	2015289	DK,DM,E,ED,F,G,U A,CM	
		10	87125-041-680	PLATE, NAME		1		DK,DM	
		11	87501-404-600	PLATE, REGISTERED NUMBER		1		E,ED,F,G	
			87501-404-630	PLATE, REGISTERED NUMBER	1				
			87506-404-670	MARK, BATTERY CAUTION	1	1	1		
		12	90107-323-000	BOLT, RR. ENGINE HANGER LOWER	1	1	1		
		13	90108-323-000	BOLT, RR. ENGINE UPPER	1	1	1		
		14	90514-404-670	GUIDE, BREATHER PIPE	1	1	1		
		16	90582-703-000	WASHER, 8MM	1	1	1		
		17	90841-001-000	SCREW, RIVET, 1.5X5	2	2		E,ED,F,G	
		18	93000-08050-0A	BOLT, HEX., 8X50	2	2	2		
		19	93000-08055-0A	BOLT, HEX., 8X55	2	2	2		
		20	93481-08040-00	BOLT-WASHER, 8X40	3	3	3		

1978.07.01

# F-26

## Frame body



Courtesy of  Honda4Fun  
www.honda4fun.com www.honda4fun.com

8404-31A

Service item	F.R.T.	Ref. No.	Part No.	Description	Reqd. No.			Serial No.	Area code
					CB500	CB550	K3 K3 K4		
		21	93482-10050-00	BOLT-WASHER, 10X50	2	2	2		
		22	93482-10080-00	BOLT-WASHER, 10X80	2	2	2		
		23	93600-06016-06	SCREW, FLAT, 6X16	2	2	2		
		24	94001-08000-05	NUT, HEX., 8MM	5	5	5		
		25	94030-10000	NUT, HEX., 10MM	5	5	5		
		26	94030-12000	NUT, HEX., 12MM	2	2	2		
		27	94071-08080	NUT-WASHER, 8MM	2	2	2		
		28	94101-12000	WASHER, PLAIN, 12MM	2	2	2		
		29	94111-08000	WASHER, SPRING, 8MM	5	5	5		
		30	94111-10000	WASHER, SPRING, 10MM	1	1	1		
		31	94111-12000	WASHER, SPRING, 12MM	2	2	2		
		32	95700-08100-00	BOLT, FLANGE, 8X100	1	1	1		

1978.07.01



Part No.	Block No.	13105-323-000	E-13	16000	16102-404-355	E-17	17335-323-000	F-16
		13105-374-000	E-13		16102-404-365	E-18	17350-404-670	F-16
		13111-286-000	E-13	16010-404-004	E-17-1	16102-404-405	17351-390-780	F-16
11000		13203-323-000	E-13		E-18-1	16102-404-415	17352-374-003	F-16
11000-374-000	E-12	13204-323-000	E-13	16011-382-004	E-17-1	16102-404-425	17353-374-003	F-16
11202-323-000	E-12	13205-323-000	E-13		E-16-1	16103-404-305	17358-341-000	F-16
11203-323-010	E-12	13206-323-000	E-13	16011-393-004	E-17-1	16103-404-315	17359-374-000	F-16
11207-323-000	E-12	13207-323-000	E-13		E-18-1	16103-404-325	17520-404-610ZA	F-12
11210-323-000	E-11	13213-333-003	E-13	16012-404-004	E-17-1	16103-404-335	17520-404-610ZB	F-12
11331-390-000	E-7	13213-410-003	E-13	16012-404-630	E-17-1	16103-404-355	17520-404-770ZA	F-12
11341-374-010	E-10	13214-300-000	E-13		E-18-1	16103-404-365	17520-404-770ZB	F-12
11353-363-000	E-10	13215-323-003	E-13	16013-393-004	E-17-1	16103-404-405	17526-390-000	F-12
11394-390-000	E-7	13216-323-003	E-13	16013-405-004	E-17-1	16103-404-415	17531-404-670ZA	F-12
11398-323-000	E-11	13217-323-003	E-13		E-18-1	16103-404-425	17531-404-670ZC	F-12
11631-404-000	E-9	13218-323-003	E-13	16014-393-004	E-17-1	16104-404-305	17531-404-670ZE	F-12
11691-323-000	E-9	13300-323-000	E-13		E-18-1	16104-404-315	17532-404-000	F-12
		13315-323-000	E-13	16015-393-004	E-17-1	16104-404-325	17541-404-670	F-12
		13316-323-000	E-13		E-18-1	16104-404-335	17542-404-670	F-12
12000		13317-323-000	E-13	16016-393-004	E-17-1	16104-404-355	17544-323-000	F-12
12021-323-300	E-2	13318-323-000	E-13	16016-393-700	E-17-1	16104-404-365	17545-323-010	F-12
12023-323-300	E-2	13491-283-000	E-15		E-18-1	16104-404-405	17611-283-010	F-12
12100-374-000	E-3	13492-283-000	E-15	16018-393-004	E-17-1	16104-404-415	17613-286-000	F-12
12100-374-010	E-3			16018-404-004	E-17-1	16104-404-425	17620-377-720	F-12
12100-404-630	E-3	14000		16018-404-014	E-17-1	16111-404-004	17631-329-000	F-12
12191-374-000	E-3	14101-323-000	E-4		E-18-1		17735-350-000	F-12
12200-374-000	E-2	14321-323-000	E-5	16025-404-305	E-17-1	16119-393-004	17738-393-000	F-12
12209-333-005	E-4	14401-323-003	E-5	16025-404-315	E-17-1		17910-404-610	F-3
12238-323-000	E-3	14431-324-000	E-4		E-18-1	16143-404-600	17910-404-670	F-3
12241-404-000	E-2	14451-323-020	E-4	16025-404-405	E-17-1	16165-404-004	17910-405-610	F-3
12242-404-000	E-2	14456-390-000	E-4	16026-393-004	E-17	16165-404-014	17920-404-610	F-3
12251-323-005	E-2	14500-323-000	E-5		E-18		17920-404-670	F-3
12251-374-005	E-2	14501-323-000	E-5	16028-393-004	E-17	16165-404-630	17920-405-610	F-3
12310-323-010	E-1	14520-323-000	E-5	16028-393-014	E-17	16195-393-600	17950-404-670	F-3
12320-374-000	E-1	14611-323-000	E-5		E-18	16198-393-600	17951-404-670	F-3
12329-323-000	E-1	14711-107-020	E-4	16031-393-004	E-17-1	16199-393-600		
12330-323-000	E-1	14721-323-005	E-4	16031-404-004	E-17-1	16211-404-000	18000	
12335-323-000	E-1	14751-107-010	E-4	16031-404-014	E-18-1	16290-323-010		
12336-323-000	E-1	14761-107-010	E-4	16032-404-305	E-17		18231-333-010	F-17
12361-300-000	E-1	14771-107-020	E-4	16032-404-315	E-17	16950-393-005	18233-107-000	F-17
12391-323-000	E-1	14775-107-000	E-4	16032-404-405	E-17	16950-393-015	18291-390-000	F-17
12431-323-000	E-1	14776-107-010	E-4	16032-404-415	E-17	16950-405-830	18300-404-670	F-17
12451-323-000	E-1	14781-107-020	E-4	16032-404-425	E-18	16950-405-831	18340-404-670	F-17
				16035-404-004	E-17	16951-393-005	18350-404-670	F-17
				16035-404-014	E-17	16951-393-015	18400-404-670	F-17
					E-18	16951-405-830	18430-404-670	F-17
				16036-393-004	E-17	16951-405-831	18450-404-670	F-17
				16045-393-004	E-17-1	16952-388-005		
					E-18-1	16952-388-015		
				16100-404-004	E-17		22000	
				16100-404-014	E-17	17000		
				16100-404-024	E-17		22100-390-000	E-8
				16100-404-601	E-18	17210-404-670	22116-390-300	E-8
				16100-404-602	E-18	17214-390-000	22120-390-000	E-8
				16100-404-631	E-17	17215-390-000	22201-286-010	E-8
				16100-404-632	E-17	17216-323-020	22202-390-000	E-8
				16100-404-633	E-17	17216-390-000	22321-329-000	E-8
				16101-404-305	E-17	17220-390-000	22321-374-000	E-8
				16101-404-315	E-17	17221-390-300	22322-390-000	E-8
				16101-404-325	E-17	17240-390-000	22350-390-000	E-8
				16101-404-335	E-18	17242-390-640	22360-390-000	E-8
				16101-404-355	E-17	17247-303-000	22401-374-000	E-8
				16101-404-365	E-18		22710-374-010	E-7
				16101-404-405	E-17	17255-230-000	22815-374-000	E-7
				16101-404-415	E-17		22821-116-000	E-7
				16101-404-425	E-17	17310-404-670	22831-333-020	E-7
				16102-404-305	E-17	17313-390-780	22850-333-000	E-8
				16102-404-315	E-17	17317-323-010	22870-374-000	F-3
				16102-404-325	E-17	17318-323-000	22870-404-610	F-3
				16102-404-335	E-18	17319-323-000		

Part No.	Block No.											
		28251-323-000	E-15	32123-390-000	F-4	33405-377-671	F-23	35000				
		28258-310-010	E-15	32161-404-000	F-3	33406-377-671	F-23					
		28261-323-000	E-15		F-25		F-23-1	35010-377-007	F-2			
	23000	28293-333-000	F-18	32161-404-610	F-3		F-23-2	35010-393-770	F-2			
		28294-333-000	F-18	32177-410-610	F-3	33407-371-601	F-23-2	35010-410-000	F-2			
		28300-404-670	F-18	32401-323-000	F-14	33407-377-671	F-23	35010-410-610	F-2			
		28302-310-300	F-18	32411-253-000	F-14		F-23-1	35010-410-611	F-2			
		28303-310-010	F-18	32412-323-000	F-14	33450-371-601	F-23-2	35100-377-007	F-2			
		28305-310-000	F-18	32601-323-000	F-14	33450-377-671	F-23	35100-377-612	F-2			
		28311-323-010	E-14	32701-392-700	F-2	33450-390-003	F-23-1	35130-404-671	F-3			
		28314-323-000	E-14	32702-392-700	F-2	33455-377-671	F-23	35150-404-003	F-3			
		28321-323-010	E-14	32985-300-000	F-22	33600-374-671	F-23	35200-404-003	F-3			
		28331-323-003	E-14			33600-390-003	F-23-1	35200-404-671	F-3			
		28333-310-000	E-15	30000		33600-404-601	F-23-2	35350-086-721	F-18			
						33602-371-601	F-23-2	35350-300-016	F-5			
						33605-377-671	F-23-1	35357-011-000	F-18			
							F-23-2	35360-341-000	F-3			
							F-23-2	35500-333-014	E-10			
							F-23	35752-323-000	E-10			
							F-23-1	35753-323-000	E-10			
							F-23	35850-375-000	F-15			
							F-23-1	35856-286-010	F-15			
							F-23					
							F-23-1	37000				
							F-23					
							F-23-1	37200-390-682	F-2			
							F-23-2	37200-404-671	F-2			
							F-23-1	37200-404-672	F-2			
							F-23-2	37200-404-781	F-2			
							F-23-2	37200-404-782	F-2			
							F-23	37202-371-610	F-2			
							F-23-1	37211-390-000	F-2			
							F-24	37220-390-003	F-12			
							F-24	37221-390-000	F-12			
							F-24-1	37235-323-700	F-2			
							F-24	37236-404-000	F-2			
							F-24	37238-323-700	F-2			
							F-24-1	37243-323-700	F-2			
							F-24	37244-307-670	F-2			
							F-24-1	37246-404-000	F-2			
							F-24	37250-404-008	F-2			
							F-24-1	37250-404-671	F-2			
							F-24	37250-404-672	F-2			
							F-24-1	37250-404-771	F-2			
							F-24	37250-404-772	F-2			
							F-24	37260-390-000	F-2			
							F-1	37261-390-000	F-2			
							F-1-1	37600-377-018	F-2			
							F-1-2					
							F-1	38000				
							F-1-1					
							F-1-2	38100-404-641	F-25			
							F-1-2	38102-404-000	F-25			
							F-1-2	38110-392-621	F-25			
								38200-377-005	F-15			
								38300-292-670	F-15			
								38300-388-004	F-15			
								38300-388-014	F-15			
								38300-404-612	F-15			
								38306-092-670	F-15			
								38306-323-000	F-15			
								38400-341-674	F-7			
								40000				
								40510-323-0008	F-20			
								40511-300-000	F-20			
								40512-300-000	F-20			
								40513-310-000	F-6			

NON



Part No.	Block No.										
		90125-404-610	F-19	90581-310-000	F-24-1	92000-06016	E-10	93500-05008-OH	F-1		
		90127-393-000	F-10	90581-701-000	F-16		F-16		F-1-2		
		90133-286-000	F-20	90582-703-000	F-26		F-20	93500-05016-08	F-1		
87000		90145-300-000	F-5	90602-259-010	E-14	92000-06020	E-16		F-1-1		
		90154-404-610	F-23-2		F-15		F-6		F-1-2		
87121-390-780	F-12	90155-369-000	F-4	90753-283-000	F-11		F-18	93500-05020-0A	E-2		
87122-390-780	F-12	90155-404-670	F-23	90841-001-000	F-26	92000-06025	F-16		F-2		
87124-404-630	F-14		F-23-1				F-25		F-25		
	F-15	90165-323-000	F-8	91000		92000-06040	E-1	93500-05025-0A	F-3		
87124-404-670	F-14	90192-377-671	F-23				F-16	93500-05032-0A	F-2		
	F-15		F-23-1	91001-116-008	E-14	92000-06045	E-1		F-3		
87124-404-770	F-15		F-23-2	91002-283-000	E-15	92000-06050	E-1	93500-06012	E-10		
87125-041-680	F-26	90203-611-000	F-13	91002-286-008	E-15	92000-08025-0A	F-10	93500-06016	E-1		
87311-516-000	F-12	90206-250-000	E-4	91007-323-003	E-14	92000-10025-08	F-1-2	93500-06020-08	E-17		
87501-404-600	F-26	90304-323-670	F-4	91008-374-003	E-16	92000-10035-0A	F-4	93500-06020-49	F-22		
87501-404-630	F-26	90305-333-000	F-9	91022-374-003	E-15	92020-06020	E-16	93500-06020	E-1		
87504-028-670	F-20	90305-393-000	F-10	91101-377-000	E-14	92020-06022	E-8		E-9		
87505-404-600	F-20	90309-315-000	F-21	91103-259-000	E-14	92025-06025	F-18	93500-06025	E-1		
87505-404-630	F-20		F-21-1	91103-374-003	E-15	92200-06032	E-16	93500-06028	E-9		
87505-404-670	F-20	90309-357-000	F-9	91201-292-003	E-16	92700-08050-30	F-7	93500-06032	E-7		
87505-404-671	F-20	90315-504-000	F-14	91201-300-003	E-13	92800-12000	E-11		E-9		
87506-404-670	F-26		F-15	91201-323-005	E-13				E-10		
87512-371-670	F-22	90321-315-670	F-3	91202-216-003	E-16	93000		93500-06035	E-10		
87560-375-680A	F-12	90325-323-630	F-22	91204-286-003	F-7			93500-06055	E-10		
		90354-268-000	F-20	91204-286-005	E-7	93000-06035-02	F-23	93500-06065	E-9		
		90355-369-000	F-4	91205-283-015	E-15		F-23-1	93500-06075	E-7		
		90416-551-000	F-16	91206-333-003	E-7		F-23-2	93500-06080	E-7		
88000		90425-300-000	E-1	91207-374-000	E-15	93000-08050-0A	F-26	93600-05010-OH	E-17		
88110-304-621	F-3	90433-283-000	E-14	91211-286-003	E-1	93000-08055-0A	F-26		E-18		
88110-333-611	F-3	90442-035-000	E-5	91252-300-003	F-9	93000-08074-08	F-4	93600-06016-06	F-26		
88110-369-650	F-3	90451-216-000	E-15	91255-300-033	F-7	93000-10032-0A	F-21	93600-06018	E-14		
88120-304-621	F-3	90451-286-000	E-15	91259-333-000	F-8		F-21-1	93700-05015-0A	F-9		
88120-333-611	F-3	90451-292-000	E-1	91261-323-000	F-11	93200-08032-0A	F-18	93700-06010-02	E-1		
88120-369-650	F-3	90453-286-003	E-15	91262-323-000	F-11	93481-06012-00	F-16	93700-06032	E-6		
		90454-200-000	E-15	91301-200-000	E-2	93481-06016-00	F-15	93891-05012-00	E-6		
89000		90455-374-000	E-8	91301-268-020	E-10	93481-06028-00	F-19	93891-06020-00	E-10		
89010-404-670	F-13	90456-323-000	E-14	91301-323-000	E-3	93481-08020-00	F-4	93892-04010-08	E-17		
89101-300-010	F-13	90457-500-000	E-15	91301-704-000	E-7	93481-08032-00	F-22		E-18		
89215-404-670	F-13	90458-292-000	E-15	91302-001-020	E-1	93481-08040-00	F-20	93892-04012-08	E-17-1		
89216-323-000	F-13	90458-323-010	E-8		E-2		F-26		E-18-1		
		90459-323-010	E-8	91302-028-000	E-11	93481-08065-00	F-14	93892-04016-08	E-17-1		
		90460-323-010	E-8	91302-250-010	E-10	93482-06016-00	E-10		E-18-1		
		90461-286-000	E-15	91302-300-000	F-9		F-25	93892-06020-08	E-17		
		90462-323-000	E-15	91304-286-000	E-3	93482-06025-00	F-5		E-18		
		90471-333-000	E-7	91305-300-620	F-5		F-8	93894-05028-00	F-2		
		90474-704-000	E-4	91305-323-000	E-5	93482-06028-00	F-5	93901-25080	F-13		
		90481-250-000	E-5	91306-703-000	E-15	93482-08028-00	F-18	93901-25310	E-12		
		90485-001-000	E-1	91309-035-000	E-1	93482-10050-00	F-26	93901-26110	E-12		
		90485-035-000	E-2		E-3	93482-10080-00	F-26	93902-24280	F-2		
			E-12	91309-300-000	E-10	93483-08035-00	F-8				
		90503-283-000	F-4	91315-044-000	E-10	93494-06012-00	F-20	94000			
		90512-300-000	F-20		E-12	93494-06020-08	F-15				
			F-22	91316-300-005	E-11	93494-06022-00	F-24	94001-06000	E-4		
		90514-404-670	F-26	91318-300-013	E-2		F-24-1		E-5		
		90514-700-000	F-13	91319-300-000	E-12	93500-03008-OH	E-17-1		E-7		
		90521-292-000	F-21	91319-323-000	E-1		E-18-1		F-3		
			F-21-1	91354-702-000	E-7		F-23		F-8		
		90524-030-000	F-10				F-23-1		F-13		
		90524-323-000	F-11	92000			F-23-2		F-20		
		90526-268-000	F-20	92000-05025-0A	F-24	93500-03008-1A	F-1		F-22		
		90532-323-000	E-10		F-24-1		F-1-2	94001-06070	F-2		
		90543-273-000	F-7	90544-283-000	F-7	93500-03012-08	F-1	94001-06080	E-17		
		90545-300-000	F-5	90545-323-700	F-2	93500-04010-OH	E-17		E-18		
		90545-323-700	F-2	90559-283-000	F-4	93500-04012-OH	E-17-1	94001-08000-05	F-10		
		90555-283-000	F-4	90555-700-000	E-14	93500-04016-OH	E-17-1		F-20		
		90555-700-000	E-14	90581-098-950	F-2	93500-04020-0A	F-16		F-26		
90121-390-000	F-20	90581-310-000	F-24	92000-06012-02	E-10	93500-04055-4J	F-24	94001-08020-05	F-4		
90122-300-020	F-9			92000-06012	E-14		F-24-1	94001-08070-05	F-2		
90123-300-000	F-7				E-16		F-2	94001-10000-05	F-19		
90125-323-000	F-11				F-20	93500-05006-0G	F-2				

Part No.	Block No.	94111-06000	F-13	95015-52000	F-18
			F-15	95015-83000	F-19
			F-16	95020-11300	F-4
94001-10000-05	F-23		F-22	95700-06016-00	F-2
	F-23-1	94111-06700	F-2	95700-06018-00	F-19
94002-06000	F-5	94111-06800	E-17	95700-06022-00	E-5
	F-15	94111-08000	F-7	95700-06032-00	E-1
	F-18		F-26		E-2
94002-08000-05	F-10	94111-08700	F-2		E-11
	F-11	94111-10000	F-1		E-12
94002-10000-05	F-21		F-1-1	95700-06040-00	E-12
	F-21-1		F-1-2	95700-06050-00	E-12
94021-06020	F-2		F-20	95700-06055-00	E-6
94030-08000	F-7		F-26		F-10
94030-10000	F-11	94111-12000	F-26		E-12
	F-26	94201-16150	F-18	95700-06065-00	E-1
94030-12000	F-26		F-19		E-2
94050-06000	E-2	94201-16220	F-8	95700-06100-00	E-12
	E-7	94201-20150	E-7	95700-06105-00	E-12
94050-06080	F-12	94201-20180	F-10	95700-08100-00	E-12
	F-17		F-20		F-26
	F-22	94201-25200	F-10	95700-10028-00	F-19
	F-23	94201-25250	F-19		
	F-23-1	94201-40300	F-10	96000	
	F-23-2	94251-05000	F-1		
	F-24		F-1-1	96100-62050	E-14
	F-24-1	94251-06000	F-13	96140-63020-10	F-9
94050-08000	F-25	94301-08140	E-7	96140-63040-10	F-11
94050-08080	E-2		E-9	96140-63050-10	F-11
	F-15	94301-12180	E-3	96201-80000	F-20
	F-17	94302-06100	E-10	96211-08000	F-4
94050-10080	F-17	94302-10160	E-2	96211-10000	F-18
94071-08080	F-26		E-12		
94071-10080	F-19	94303-08140	E-14	97000	
94101-04000	F-1	94510-12000	E-15		
94101-05700	F-2	94510-18000	E-15	97313-69129-10	F-11
94101-06000	E-7	94510-20000	E-8	97C07-69128-10	F-11
	F-5	94510-25150	E-8		
	F-13	94510-30000	E-14	98000	
	F-16	94601-15000	E-13		
	F-19	94608-50000	F-7	98069-57711	E-2
	F-20			98069-57716	E-2
	F-22	95000		98069-57717	E-2
	F-25			98069-57723	E-2
94101-06200	E-10	95001-55130-40	F-12	98069-57726	E-2
94101-06700	F-2	95001-55140-40	F-12	98069-57727	E-2
94101-08000	F-7	95002-02070	E-17	98200-20700	F-15
	F-19		E-18	98200-21500	F-15
	F-20	95002-02080	E-18	98202-22250	F-14
94101-08700	F-2	95002-02100	F-12	98203-22250	F-14
94101-10000	F-1	95002-02130	F-12		
	F-1-1	95002-70000	E-11	99000	
	F-1-2	95003-27050-30	F-12		
	F-4	95005-12420-20	E-1	99001-10120	F-13
	F-23	95011-40000	F-18	99001-14170	F-13
	F-23-1	95011-61000	F-17	99002-13500	F-13
94101-12000	F-26	95012-17000	F-14	99003-10000	F-13
94102-10000	F-8	95014-19000	F-10	99003-30000	F-13
94109-12000	E-11		F-11	99003-50000	F-13
94111-03800	E-17-1	95014-22200	F-4	99006-12000	F-13
	E-18-1	95014-41000	F-7	99006-22000	F-13
94111-04800	E-17	95014-61100	F-25	99006-24000	F-13
	E-17-1	95014-61200	F-25	99101-393-0900	E-17-1
94111-05000	F-1	95014-71702	F-19		E-18-1
	F-1-1	95014-72102	F-19		
	F-1-2	95014-72400	F-19		
	F-2	95014-73100	F-18		
	F-3	95015-32001	F-18		
	F-25	95015-42000	F-18		