



HONDA

MODEL CB500



Courtesy of  Honda4Fun
www.hondasport.com www.honda4fun.com

PARTS LIST

HONDA GENUINE PARTS

PARTS LIST

FOR

HONDA

CB500

FOREWORD

This parts list contains all the spare parts for the CB500 model and is to be used when ordering spare parts.

On placing your order, please forward frame number for frame parts and engine number for engine parts together with your order.

The reason for this is that it is necessary to verify that the parts being ordered are applicable to the model series intended.

No supplement to this parts list will be issued. In case of any change to its content, no notification or supplement will be issued for this parts list. However, a revised edition of this parts list will be issued to maintain it up-to-date. The revised edition can be identified by the revision No. on the cover. To check on the latest parts list revision, please contact your nearest distributor.

This manual is a courtesy of Honda4Fun
(www.honda4fun.com - www.honda4four.com)

June 25, 1971

HONDA MOTOR CO., LTD.

GROUP INDEX

INSTRUCTION
FOR
USE OF PARTS LIST

II ~ III

ENGINE GROUP

2 ~ 51

FRAME GROUP

52 ~ 133

PART NO. INDEX

(1) ~ (8)

Courtesy of  Honda4Fun
www.honda4four.com www.honda4fun.com

INSTRUCTION FOR USE OF PARTS LIST

DESCRIPTION OF PARTS LIST

1. Make-up of the Part Number

The following example is the definition of part number.

Example

	17500	-	323	-	00	0	KD
Function and Component No.							
Model Code No.							
Modification Designation							
Subcontractor Designation							
Color Code							

2. Abbreviations

The abbreviations used in this parts list are as follows.

ASSY.	Assembly
COMP.	Complete
hex.	hexagonal
TT	teeth

3. Dimensions

All dimensions are in millimeters except for the steel balls and wheels.

Parts	Example	Interpretation
Bolt /Screw	6 x 12	6mm diameter, 12 mm length
Pin	8 x 14	8mm diameter, 14 mm length
O-Ring	9,5 x 1,6	9,5mm diameter, 1,6 mm thickness
Oil seal	11 x 21 x 5	11 mm inside diameter, 24 mm outside diameter, 5 mm thickness
Tube	5 x 130	5mm inside diameter, 130 mm length

4. Quantity used

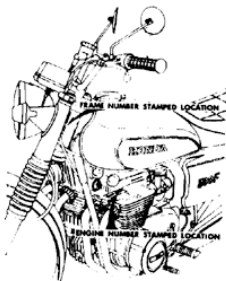
In the column "Reqd. No." is shown the quantity of parts used in the respective group.

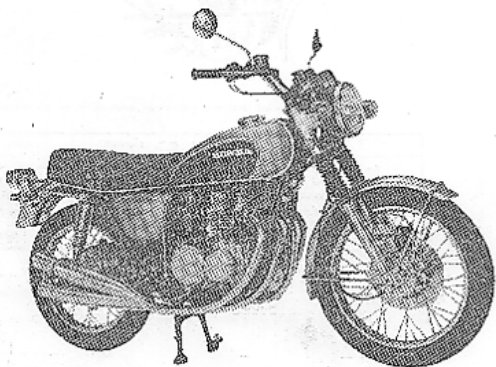
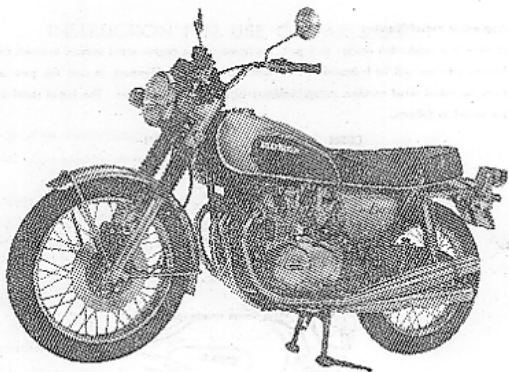
5. Applicable Serial Number

If there is a production change to a part, the frame or the engine serial number to which this part become effective will be indicated in the "Remarks" column. However, in case the part is used from the initial serial number, its applicable serial number is not shown. The initial serial number for model as follows.

CB500 Engine No. CB500E-1000001~
Frame No. CB500 -1000001~

The serial number is stamped in the following locations.





U. S. A. - Type

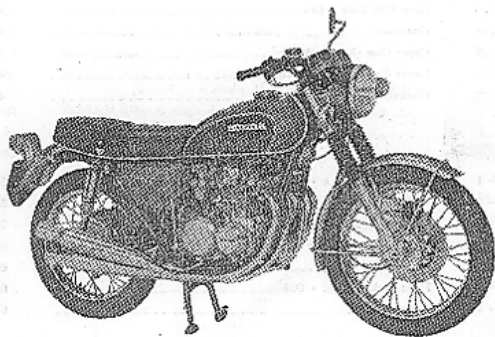
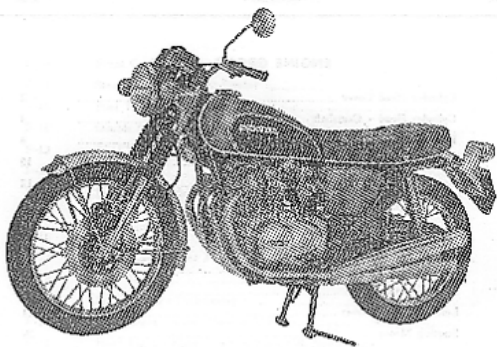
Courtesy of



Honda4Fun

www.hondafour.com

www.honda4fun.com



France - Type

Courtesy of
www.honda4fun.com



Honda4Fun
www.honda4fun.com



Block No.	Nomenclature	Page
-----------	--------------	------

ENGINE GROUP

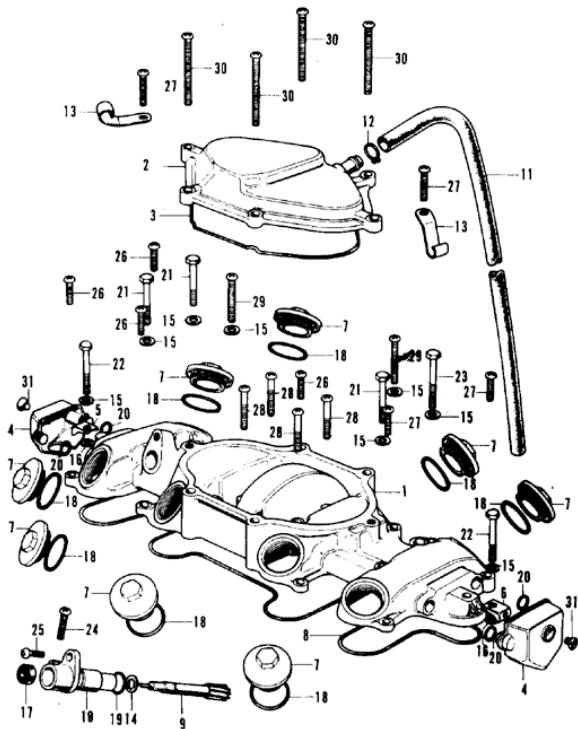
E- 1	Cylinder Head Cover	2
E- 2	Cylinder Head • Camshaft	4
E- 3	Rocker Arm • Valve	8
E- 4	Cylinder • Piston	10
E- 5	Cam Chain • Tensioner	12
E- 6	Oil Filter • Oil Pan	14
E- 7	Contact Breaker • Spark Advancer	16
E- 8	Right Crankcase Cover • Kick Spindle	18
E- 9	Clutch	20
E-10	A.C. Generator	22
E-11	Left Crankcase Cover	24
E-12	Starting Motor	26
E-13	Oil Pump	28
E-14	Crankshaft	30
E-15	Primary Shaft	32
E-16	Transmission	34
E-17	Gear Shift Spindle	36
E-18	Gear Shift Fork • Drum	38
E-19	Crankcase	40
E-20	Upper Case (Bolt & Washer)	42
E-21	Lower Case (Bolt & Washer)	44
E-22	Carburetor	46

FRAME GROUP

F- 1	R/H Handle Switch • Cable	52
F- 2	L/H Handle Switch • Cable	54
F- 3	Handle Top Bridge	56
F- 4	Brake Master Cylinder	58
F- 5	Front Brake • Hose	60
F- 6	Front Brake Caliper • Disk	62
F- 7	Front Wheel	64

Block No.	Nomenclature	Page
F- 8	Front Cushion	66
F- 9	Steering Stem • Front Fender	68
F-10	Fuel Tank • Cock	72
F-11	Double Seat	76
F-12	Air Cleaner • Element • Side Cover	78
F-13	Muffler.....	80
F-14	Rear Brake Pedal • Panel.....	82
F-15	Rear Wheel • Driven Sprocket	84
F-16	Rear Cushion.....	86
F-17	Chain Case • Rear Fork	88
F-18	Rear Fender	92
F-19	Speedometer • Tachometer.....	94
F-20	Head Light • Case (Used in U.S.A.).....	96
F-21	Head Light • Case (Used in France & Netherlands)	98
F-22	Head Light • Case (Used in England, Germany & E.D.).....	100
F-23	Head Light • Case (Used in General & Australia)	102
F-24	Winker (Used in U.S.A.)	104
F-25	Winker (Used in England, France, Australia, General, Netherlands & E.D.).....	106
F-26	Winker (Used in Germany)	110
F-27	Wire Harness	112
F-28	Battery • Electric.....	114
F-29	Tail Light (Used in U.S.A., France, Australia, Netherlands, General & E.D.).....	118
F-30	Tail Light (Used in England)	122
F-31	Tail Light (Used in Germany).....	124
F-32	Main Stand • Step	126
F-33	Frame Body	128
F-34	Tool	132
	INDEX	(1)

E-1 Cylinder Head Cover

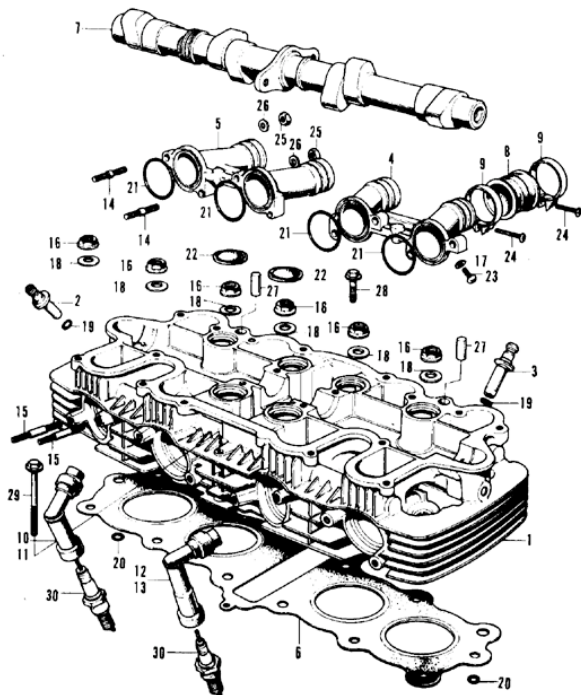


E-1 Cylinder Head Cover

Ref. No.	Part No.	Description	Reqd. No. CB500	Remarks
1	12110-323-000	COVER, cylinder head.....	1	
2	12120-323-000	COVER COMP., breather.....	1	
3	12130-323-000	PACKING, breather cover.....	1	
4	12130-323-000	COVER COMP., cylinder head side.....	2	
5	12135-323-000	PLATE A, head side cover set.....	1	
6	12136-323-000	PLATE B, head side cover set.....	1	
7	12161-300-000	CAP, tappet adjusting hole.....	8	
8	12191-323-000	PACKING, cylinder head cover.....	1	
9	12431-323-000	GEAR, tachometer.....	1	
10	12451-323-000	CAP, tachometer.....	1	
11	15763-300-000	TUBE C, breather.....	1	
12	15772-292-010	CLIP, breather tube.....	1	
13	32906-028-000	CLIP, hightension cord.....	2	
14	90451-292-000	WASHER, thrust, 7 mm.....	1	
15	90425-300-000	WASHER, 11 mm.....	8	
16	90485-001-000	WASHER, 6.5 mm.....	2	
17	91211-386-001	OIL SEAL, 48×14.5×4.....	1	
18	91302-001-029	O-RING, 30.8 mm.....	8	
19	91303-035-000	O-RING, 11×2.5.....	1	
20	91319-323-000	O-RING, 6×3.....	4	
21	92000-06040	BOLT, hex., 6×40.....	3	
22	92000-06045	BOLT, hex., 6×45.....	2	
23	92000-06050	BOLT, hex., 6×50.....	1	
24	93500-06020-0A	SCREW, pan, 5×20.....	1	
25	93500-06016	SCREW, pan, 6×16.....	1	
26	93500-06020	SCREW, pan, 6×20.....	4	
27	93500-06025	SCREW, pan, 6×25.....	4	
28	93500-06032	SCREW, pan, 6×32.....	4	
29	93500-06040	SCREW, pan, 6×40.....	2	
30	93500-06065	SCREW, pan, 6×65.....	4	
31	93700-06010-02	SCREW, oval, 6×10.....	2	

ENGINE GROUP

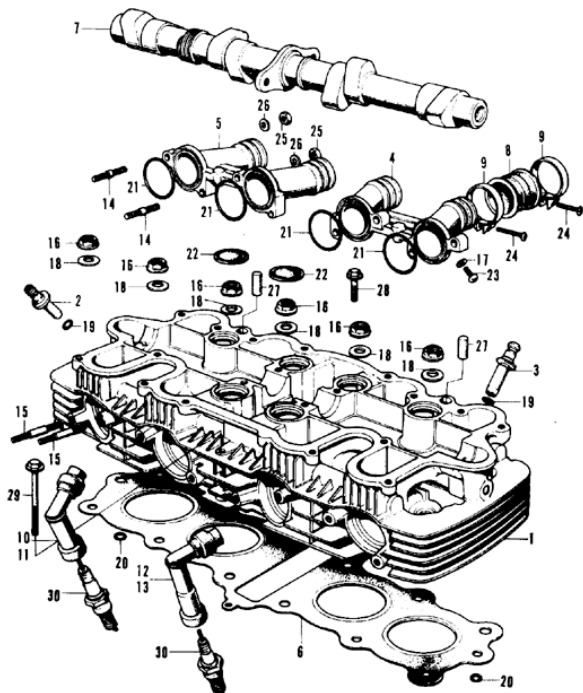
E-2 Cylinder Head - Camshaft



E-2 Cylinder Head - Camshaft

Ref. No.	Part No.	Description	Reqd. No. CB500	Remarks
1	12200-323-000	HEAD COMP, cylinder	1	
2	12321-323-300	GUIDE, inlet valve	4	
3	12323-324-300	GUIDE, exhaust valve	4	
4	12341-323-000	MANIFOLD A, inlet	1	
5	12342-323-000	MANIFOLD B, inlet	1	
6	12351-323-000	GASKET, cylinder head	1	
7	14101-323-000	CAMSHAFT	1	
8	16211-323-000	INSULATOR, carburetor	4	
9	17256-323-000	BAND, air cleaner connecting	8	
10	30700-300-010	CAP ASSY, A, noise suppressor	2	(Used in U.S.A., Australia & General)
11	30700-300-620	CAP ASSY, A, noise suppressor	2	(Used in France, England, Germany, Netherlands & E.D.)
12	30701-323-013	CAP ASSY, B, noise suppressor	2	(Used in U.S.A., Australia & General)
13	30701-323-620	CAP ASSY, B, noise suppressor	2	(Used in France, England, Germany, Netherlands & E.D.)
14	90043-323-300	BOLT, stud, 6x33	8	
15	90044-323-300	BOLT, stud, 6x40	8	
16	90236-300-000	NUT, 8mm	12	
17	90452-323-000	WASHER, 5mm	4	
18	90485-035-000	WASHER, 14mm	12	
19	91301-200-000	O-RING, 10x1.6	8	
20	91301-323-000	O-RING, 5x2.4	2	

E-2 Cylinder Head - Camshaft

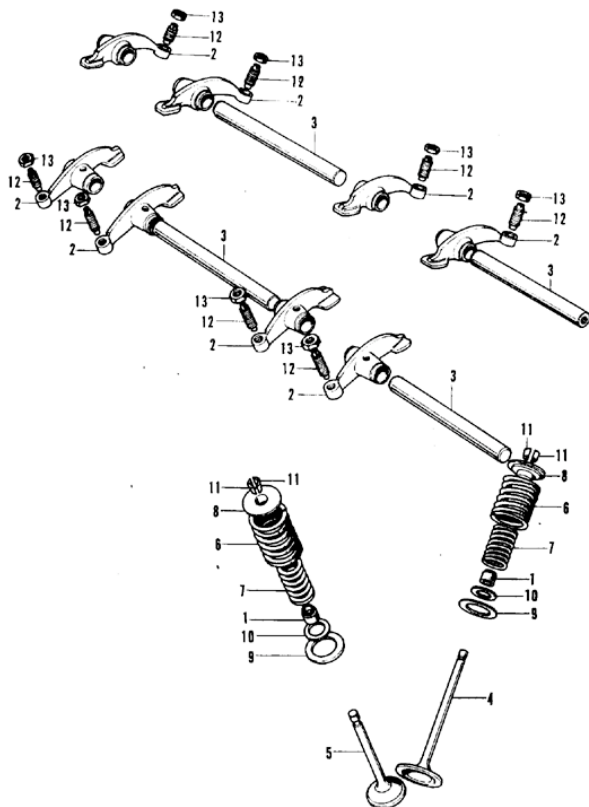


E-2 Cylinder Head - Camshaft

Ref. No.	Part No.	Description	Repl. No. CB500	Remarks
21	91302 001 020	O-RING, 200.8 mm	4	
22	91318 200 013	RUBBER, sealing	6	
23	93200 03006 0A	SCREW, pan, 5 x 6	4	
24	93300 05020 0A	SCREW, pan, 5 x 20	8	
25	94003 09000	NUT, hex., 6 mm	8	
26	94101 09000	WASHER, plan, 6 mm	8	
27	94302 10160	PIN, dowel, 10x16	2	
28	95700 06032	BOLT, flange, 6x8.32	1	
29	95700 06065	BOLT, flange, 6x8.65	1	
30	98009 37711	PLUG, spark (DIPES) (NGK)	4	
	98009 37720	PLUG, spark (DIPES) (DENSO)	4	



E-3 Rocker Arm - Valve

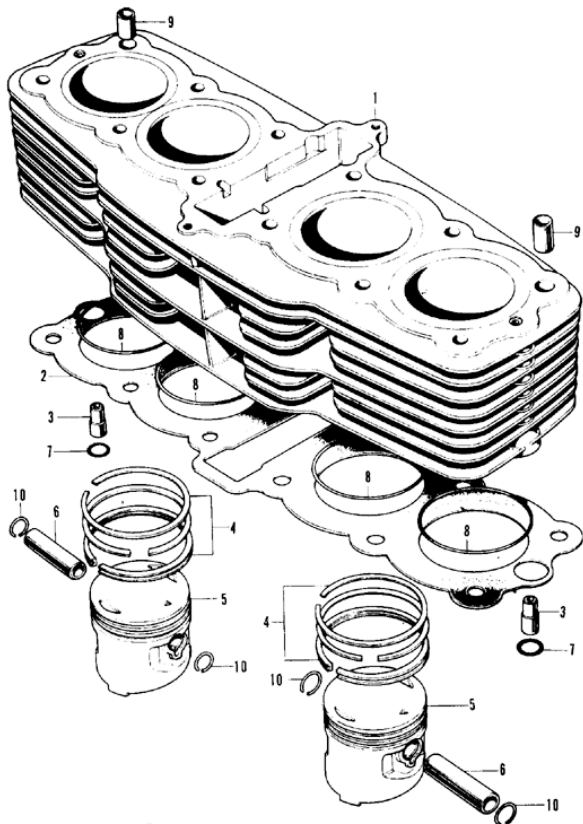


E-3 Rocker Arm - Valve

Ref. No.	Part No.	Description	Reqd. No. CB500	Remarks
1	12309-323-005	SEAL, valve stem	8	
2	14431-324-000	ARM, valve rocker.....	8	
3	14451-323-000	SHAFT, rocker arm	4	
4	14711-107-020	VALVE, inlet	4	
5	14721-323-005	VALVE, exhaust (MITSUBISHI)	4	
6	14751-107-010	SPRING, valve outer.....	8	
7	14761-107-010	SPRING, valve inner.....	8	
8	14771-107-020	RETAINER, valve spring.....	8	
9	14775-107-000	SEAT, valve spring outer	8	
10	14776-107-010	SEAT, valve spring inner	8	
11	14781-107-020	COTTER, valve	16	
12	90012-300-000	SCREW A, tappet adjusting	8	
13	90206-250-000	NUT, tappet adjusting	8	



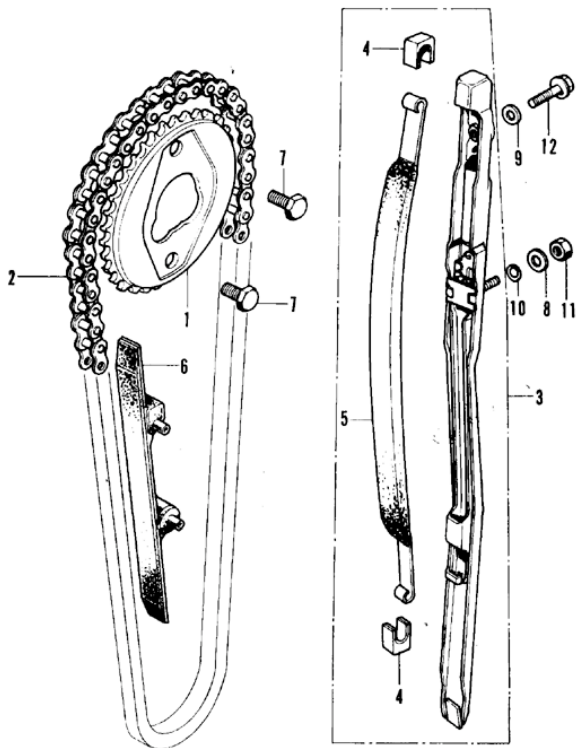
E-4 Cylinder · Piston



E-4 Cylinder - Piston

Ref. No.	Part No.	Description	Reqd. No. CB500	Remarks
1	12100-323-000	CYLINDER COMP.	1	
2	12191-323-000	GASKET, cylinder	1	
3	12238-323-000	VALVE COMP. oil control orifice	2	
4	13011-323-003	(Superseded by 13011-323-014)		
	13021-323-003	(Superseded by 13021-323-014)		
	13031-323-003	(Superseded by 13031-323-014)		
	13041-323-003	(Superseded by 13041-323-014)		
	13051-323-003	(Superseded by 13051-323-014)		
	13011-323-004	(Superseded by 13011-323-014)		
	13021-323-004	(Superseded by 13021-323-014)		
	13031-323-004	(Superseded by 13031-323-014)		
	13041-323-004	(Superseded by 13041-323-014)		
	13051-323-004	(Superseded by 13051-323-014)		
	13011-323-014	KING SET, piston (STD.) (RIKEN)	4	
	13021-323-014	RING SET, piston (0.25) (RIKEN)	(4)	
	13031-323-014	RING SET, piston (0.50) (RIKEN)	(4)	
	13041-323-014	RING SET, piston (0.75) (RIKEN)	(4)	
	13051-323-014	RING SET, piston (1.00) (RIKEN)	(4)	
5	13101-323-000	PISTON (STD.)	4	
	13102-323-000	PISTON (0.25)	(4)	
	13103-323-000	PISTON (0.50)	(4)	
	13104-323-000	PISTON (0.75)	(4)	
	13105-323-000	PISTON (1.00)	(4)	
6	13111-286-000	PIN, piston	4	
7	91303-035-000	O RING, 11 x 2.5	2	
8	91304-286-000	O-RING, 61.8 x 2	4	
9	94301-12180	PIN, knock, 12 x 18	2	
10	94601-15000	CLIP, piston pin, 15 mm	8	

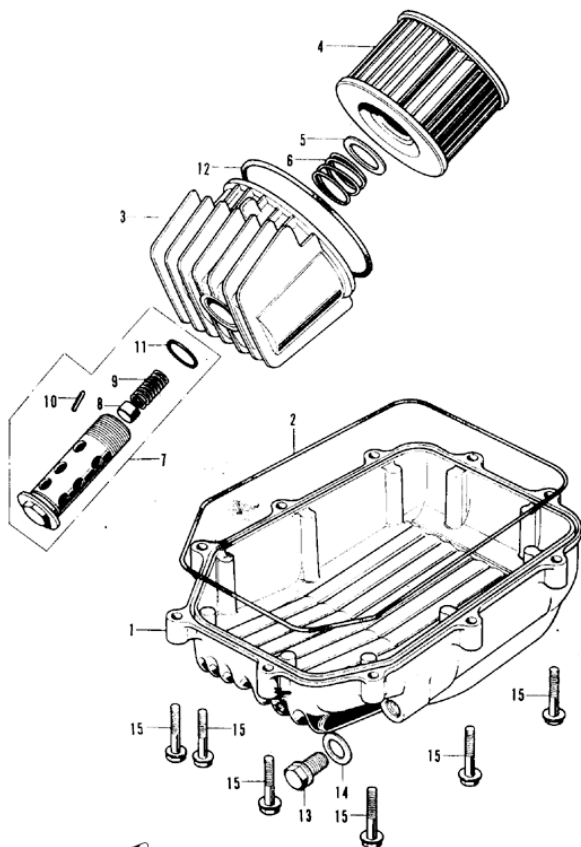
E-5 Cam Chain · Tensioner



E-5 Cam Chain - Tensioner

Ref. No.	Part No.	Description	Reqd. No. CBS00	Remarks
1	14321-323-000	SPROCKET, cam	1	
2	14401-323-003	CHAIN, cam (DIID219T-88L Endless DAIDO).....	1	
3	14500-323-000	TENSIONER COMP., cam chain	1	
4	14501-323-000	DAMPER, tensioner	2	
5	14520-323-000	SLIPPER, tensioner	1	
6	14611-323-000	GUIDE, cam chain.....	1	
7	90081-246-000	BOLT, knock, 7×12	2	
8	90442-035-000	WASHER, sealing, 6 mm.....	1	
9	90481-250-000	WASHER A, 6.5 mm.....	1	
10	91305-323-000	O RING, 5.8×1.9	1	
11	94001-09000	NUT, hex., 6 mm	1	
12	95700-09022	BOLT, flange, 6×22	1	

E-6 Oil Filter • Oil Pan

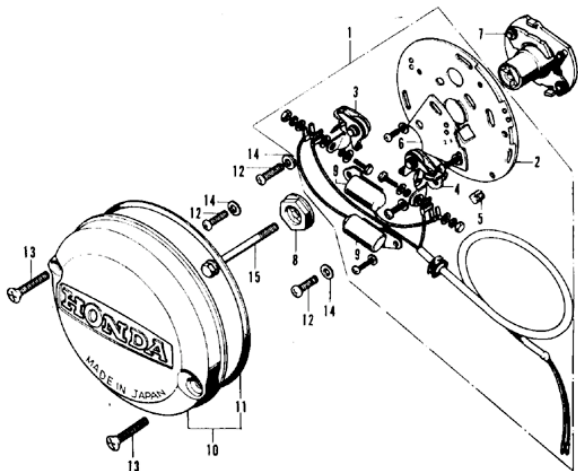


E-6 Oil Filter • Oil Pan

Ref. No.	Part No.	Description	Reqd. No. CBS00	Remarks
1	11210-323-000	PAN, oil.....	1	
2	11398-323-000	PACKING, oil pan.....	1	
3	15411-300-010	CASE, oil filter	1	
4	15412-300-024	ELEMENT, oil filter	1	
5	15414-300-000	SEAT, oil filter spring	1	
6	15415-300-000	SPRING, filter element set	1	
7	15420-300-020	BOLT COMP., oil filter center	1 ←	5480
8	15473-300-300	VALVE, check	1	
9	15474-300-310	SPRING, check valve.....	1	
10	15477-300-300	PIN, spring set	1	
11	91304-028-000	O-RING, 15×2.5.....	1	
12	91316-300-001	O-RING, 89×4.5 (ARAI).....	1	
	91316-300-006	O-RING, 89×4.5 (N.O.K.)	1	
13	92800-12000	BOLT, drain plug, 12 mm	1	
14	94109-12000	WASHER, drain plug, 12 mm.....	1	
15	95700-06032	BOLT, flange, 6×32	10	



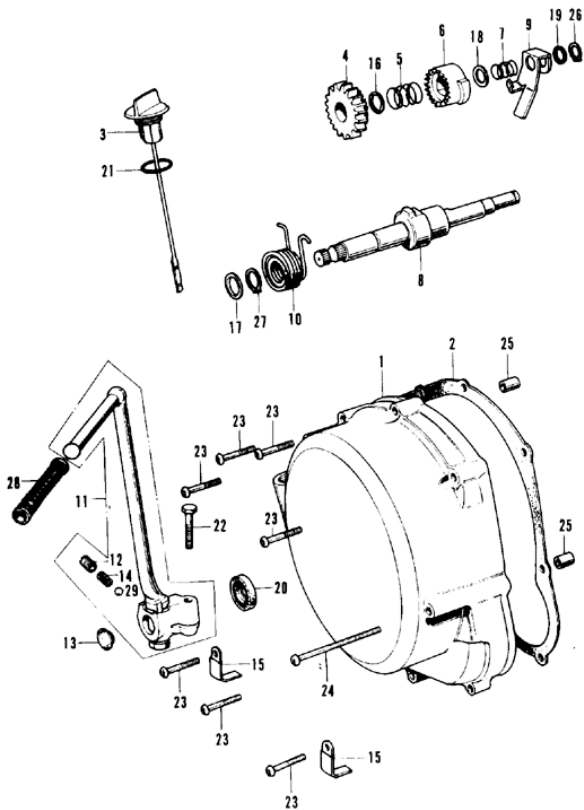
E-7 Contact Breaker · Spark Advancer



E-7 Contact Breaker - Spark Advancer

Ref. No.	Part No.	Description	Reqd. No. CB500	Remarks
1	30200-323-005	BREAKER ASSY., contact (HITACHI)	1	
2	30201-300-015	PLATE, contact breaker (HITACHI)	1	
3	30203-300-005	BREAKER, right contact (HITACHI)	1	
4	30204-300-005	BREAKER, left contact (HITACHI)	1	4-24 + 5 + 12
5	30205-003-005	FELT, oil (HITACHI)	1	
6	30215-300-005	PLATE, shift breaker (HITACHI)	1	
7	30220-323-000	ADVANCER ASSY., spark	1	
8	30233-300-000	WASHER, advancer shaft special	1	
9	30250-300-005	CONDENSER COMP. (HITACHI)	2	3 463 + 5 + 12
10	30370-323-000	COVER COMP., point	1	
11	30372-300-300	GASKET, point cover	1	
12	93500-05012-0A	SCREW, flat, 5x12	3	
13	93700-06032	SCREW, oval, 6x32	2	
14	94101-05000	WASHER, plain, 5 mm	3	
15	95700-09055	BOLT, flange, 6x55	1	

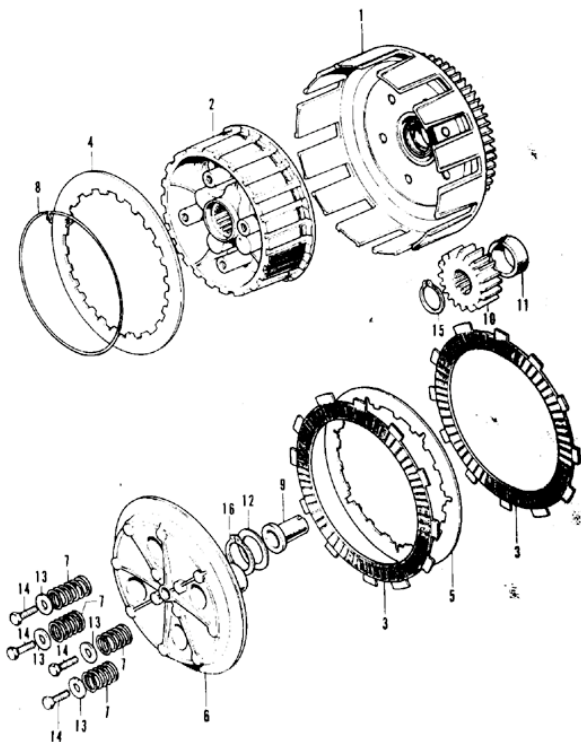
E-8 Right Crankcase Cover - Kick Spindle



E-8 Right Crankcase Cover - Kick Spindle

Ref. No.	Part No.	Description	Reqd. No. CB500	Remarks
1	11301-323-000	COVER, right crankcase	1	
2	11381-323-000	PACKING, right crankcase	1	
3	15690-323-000	GAUGE, oil level	1	
4	28211-323-000	PINION, kick starter	1	
5	28215-216-000	SPRING, starter pinion set	1	
6	28221-310-010	RATCHET, kick starter	1	
7	28223-216-000	SPRING, kick starter ratchet	1	
8	28251-323-000	SPINDLE, kick starter	1	
9	28258-310-010	PLATE, ratchet guide	1	
10	28261-323-000	SPRING, kick starter	1	
11	28300-323-010	ARM COMP., kick starter	1	
12	28303-310-010	BOLT, kick arm	1	
13	28305-310-000	C-UP, kick arm	1	
14	28333-310-000	SPRING, kick starter stopper	1	
15	32111-323-000	CLAMPER, cord	2	
16	90451-216-000	WASHER, thrust, 29 mm	1	
17	90453-286-003	WASHER, 18 mm	1	
18	90454-200-000	WASHER, thrust, 15 mm	1	
19	90457-500-000	WASHER, chain guide thrust	1	
20	91294-286-003	OIL SEAL, 18×29×7 (ARAI)	1	
21	91354-702-000	O-RING, 23 mm	1	
22	93200-08032-0A	BOLT, hex., 8×32	1	
23	93500-08032	SCREW, pan, 6×32	9	
24	93500-09080	SCREW, pan, 6×80	1	
25	94301-08140	PIN, dowel, 8×14	2	
26	94510-12000	CIR-CLIP, external, 12 mm	1	
27	94510-18000	CIR-CLIP, external, 18 mm	1	
28	95011-52000	RUBBER, kick starter	1	
29	96211-10000	BALL, steel, φ10 (1/8")	1	

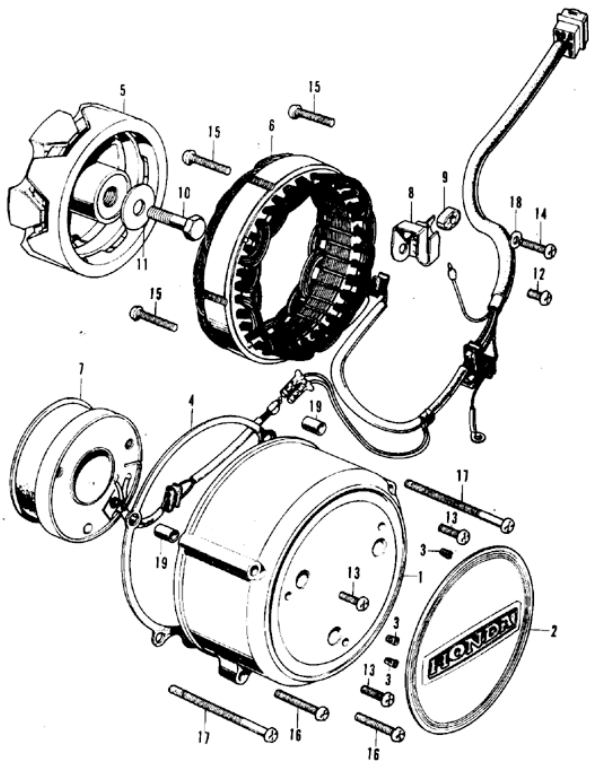
E-9 Clutch



E-9 Clutch

Ref. No.	Part No.	Description	Repl. No. CB500	Remarks
1	22100-321-000	OUTER COMP., clutch	1	
2	22130-323-000	CENTER COMP., clutch	1	
3	22201-323-000	DISK, clutch friction	7	
4	22311-286-000	PLATE A, clutch	1	
5	22321-286-000	PLATE B, clutch	6	
6	22350-286-000	PLATE, clutch pressure	1	
7	22401-275-000	SPRING, clutch	4	
8	22431-259-000	RING, clutch plate stopper	1	
9	22638-323-000	PEACE, clutch rafter joint	1	
10	23103-323-000	GEAR, primary drive (25T)	1	
11	23105-323-000	COLLAR, 22x13.6	1	
12	90458-323-000	SPACER, 0.1 mm	(0-2)	
	90459-323-000	SPACER, 0.3 mm	(0-1)	
	90460-323-000	SPACER, 0.5 mm	(0-1)	
13	90481-259-000	WASHER, 6x19	4	
14	93020-06020	BOLT, 6x20	4	
15	94510-29000	CIR CLIP, external, 20 mm	1	
16	94510-25150	CIR CLIP, external, 25 mm	1	

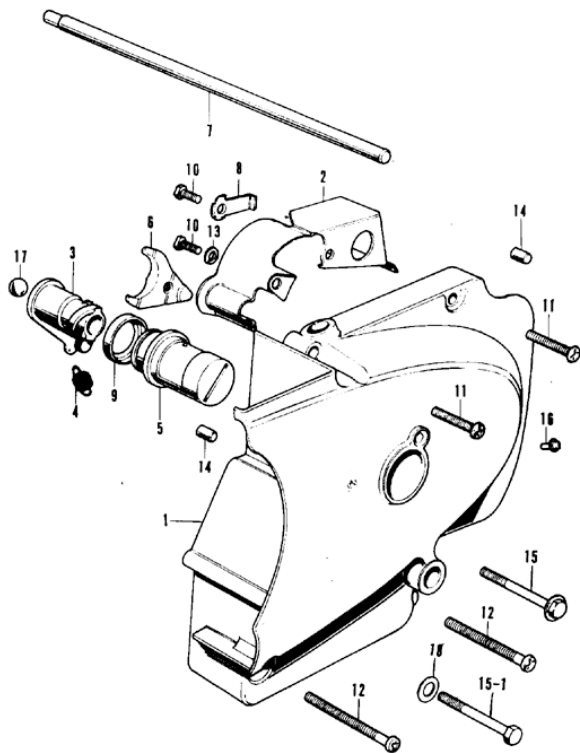
E-10 A.C. Generator



E-10 A.C. Generator

Ref. No.	Part No.	Description	Reqd. No. CB500	Remarks
1	11631-323-000	COVER A, dynamo	1	
2	11632-323-003	COVER B, dynamo (UEHARA)	1	
3	11633-323-000	FIX, push on, J type	3	
4	11691-323-000	PACKING, dynamo cover	1	
5	31101-323-005	ROTOR COMP. (HITACHI)	1	
6	31102-323-005	STATOR COMP. (HITACHI)	1	
7	31103-323-005	COIL COMP, field (HITACHI)	1	
8	35782-323-000	STATOR, neutral switch	1	
9	35753-323-000	ROTOR, neutral switch	1	
10	90014-323-000	BOLT, hex, 10x35	1	
11	90401-551-000	WASHER, 10x30x3.5	1	
12	93500-06012	SCREW, pan, 6x12	1	
13	93500-06016	SCREW, pan, 6x16	3	
14	93500-06020	SCREW, pan, 6x20	1	
15	93500-06028	SCREW, pan, 6x28	3	
16	93500-06032	SCREW, pan, 6x32	2	
17	93500-06065	SCREW, pan, 6x65	2	
18	94101-06000	WASHER, plain, 6 mm	1	
19	94301-08140	PIN, dowel, 8x14	2	

E-11 Left Crankcase Cover

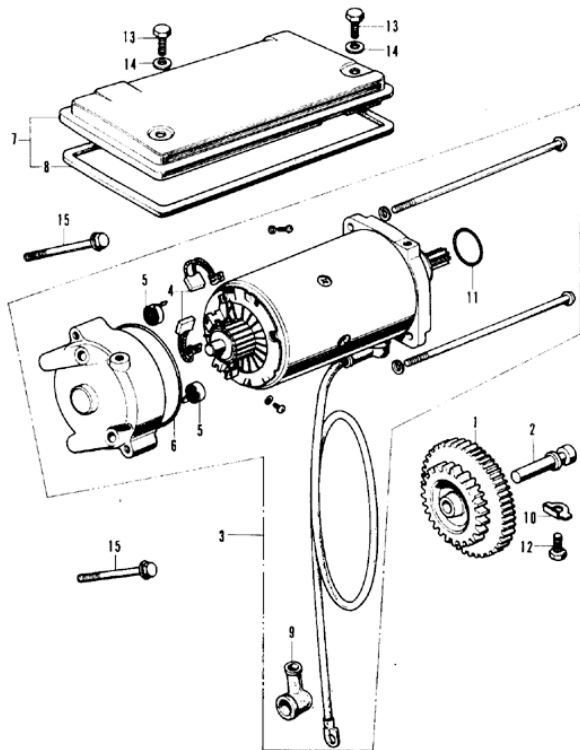


E-11 Left Crankcase Cover

Ref. No.	Part No.	Description	Reqd. No. CB500	Remarks
1	11341-323-000	COVER, left crankcase	1	
2	11351-323-000	PROTECTOR, case	1	
3	22810-323-000	THREAD COMP., clutch lifter	1	
1	22815-323-000	(Superseded by 22815-283-000)		
	22815-283-000	SPRING, clutch lever	1	
5	22841-295-000	ADJUSTER, clutch	1	
6	22844-323-000	ADJUSTER, fixing piece.....	1	
7	22850-292-020	ROD, clutch lifter	1	
8	90532-323-000	WASHER, tongued, 6 mm	1	
9	91205-300-000	OIL SEAL, 22x26x29x8	1	
10	92000-06016	BOLT, hex., 6x16	2	
11	93500-06032	SCREW, pan, 6x32	2	
12	93500-06065	SCREW, pan, 6x55	2	
13	94111-06000	WASHER, spring, 6 mm	1	
14	94302-06100	PIN, dowel, 6x10	2	
15	95700-06045	(Superseded by 92000-06045 with 91101-06000).....		
15-1	92000-06045	BOLT, hex., 6x45	1	
16	96201-30001	NIPPLE, grease, 4.5φ	1	
17	96211-10000	BALL, steel, 4.10 (3/8")	1	
18	94101-06000	WASHER, plain, 6mm.....	1	



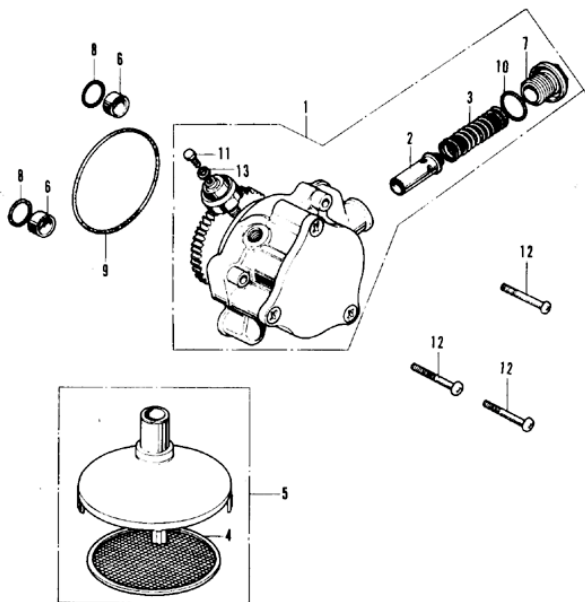
E-12 Starting Motor



E-12 Starting Motor

Ref. No.	Part No.	Description	Reqd. No. CBS00	Remarks
1	28101-323-000	GEAR, starter reduction	1	
2	28106-323-000	SHAFT, starter reduction gear	1	
3	31200-323-013	MOTOR ASSY, starting (MITSUBA)	1	
4	31204-292-158	BRUSH, carbon (MITSUBA)	1	
5	31201-292-158	SPRING, brush (MITSUBA)	1	
6	31206-285-158	O-RING (MITSUBA)	1	
7	31280-323-000	COVER COMP, starting motor	1	
8	31282-323-300	PACKING, starting motor	1	
9	32411-251-000	COVER, starting motor terminal	2	
10	90433-283-000	WASHER, lock, 6mm	1	
11	91109-300-000	O-RING, 24.4x3.1	1	
12	92000-06012	BOLT, hex., 6x12	1	
13	92000-06012-01	BOLT, hex., 6x12	2	
14	94101-06200	WASHER, plain, 6mm	2	
15	95700-06205	BOLT, flange, 6x55	2	

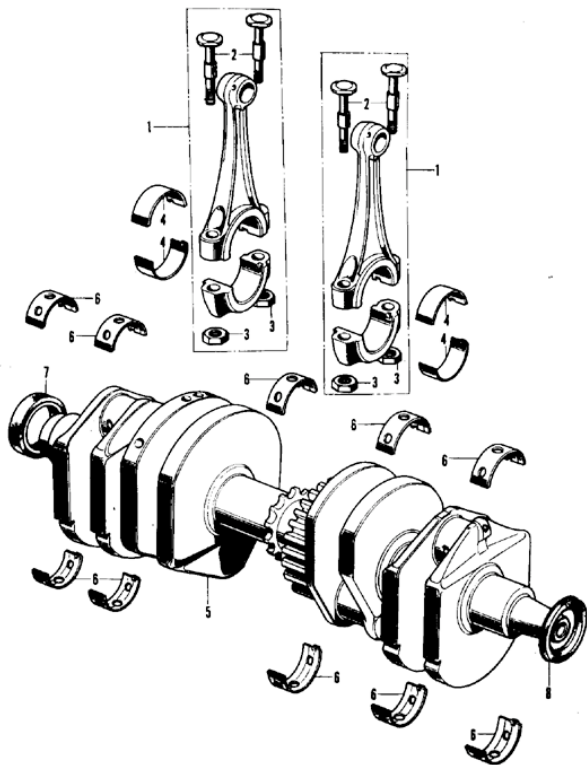
E-13 Oil Pump



E-13 Oil Pump

Ref. No.	Part No.	Description	Reqd. No. (CB50)	Remarks
1	15100 323 003	PUMP ASSY., oil (YAMADA)	1	
2	15140 300 010	VALVE, relief	1	
3	15145 300 000	SPRING, relief valve	1	
4	15150 300 000	SCREEN, oil strainer	1	
5	15150 323 000	STRAINER ASSY., oil	1	
6	15155 323 000	COLLAR, o-ring	1	
7	15141 323 003	CAP, oil pass	1	
8	91301 258 033	O RING, 14 mm	1	
9	91302 250 040	O RING, 47 mm	1	
10	91315 044 000	O RING, 19.4x2.8	1	
11	92000 04006 0A	BOLT, hex., 4x6	1	
12	93500 06035	SCREW, pan, 6x35	3	
13	91101 04000	WASHER, plain, 4 mm	1	

E-14 Crankshaft



E-14 Crankshaft

Ref. No.	Part No.	Description	Reqd. No. (CB50)	Remarks
1	13201-323-000	ROD COMP. A, connecting	(4)	
	13202-323-000	ROD COMP. B, connecting	(4)	
	13203-323-000	ROD COMP. C, connecting	(4)	
	13204-323-000	ROD COMP. D, connecting	(4)	
	13205-323-000	ROD COMP. E, connecting	(4)	
	13206-323-000	ROD COMP. F, connecting	(4)	
	13207-323-000	ROD COMP. G, connecting	(4)	
2	13213-323-300	BOLT, connecting rod	8	
3	13214-300-000	NUT, connecting rod	8	
4	13215-323-003	BEARING A, connecting rod (DAIDO)	(8)	
	13216-323-003	BEARING B, connecting rod (DAIDO)	(8)	
	13217-323-003	BEARING C, connecting rod (DAIDO)	(8)	
	13218-323-003	BEARING D, connecting rod (DAIDO)	(8)	

Selection table of connecting rod big end bearing

Crank pin allowance		Connecting rod allowance			
		Bearing mark color	Clearance (μ)	Bearing mark color	Clearance (μ)
1	35φ ⁺⁰ _{-0.010}	1	35φ ⁺⁰ _{-0.010}	2	35φ ^{-0.010} _{-0.020}
3	38φ ^{+0.021} _{+0.014}	B (BROWN)	18~43	A (BLACK)	20~45
2	38φ ^{+0.014} _{+0.007}	C (GREEN)	19~44	B (BROWN)	21~46
1	38φ ^{+0.007} ₋₀	D (YELLOW)	20~45	C (GREEN)	22~47

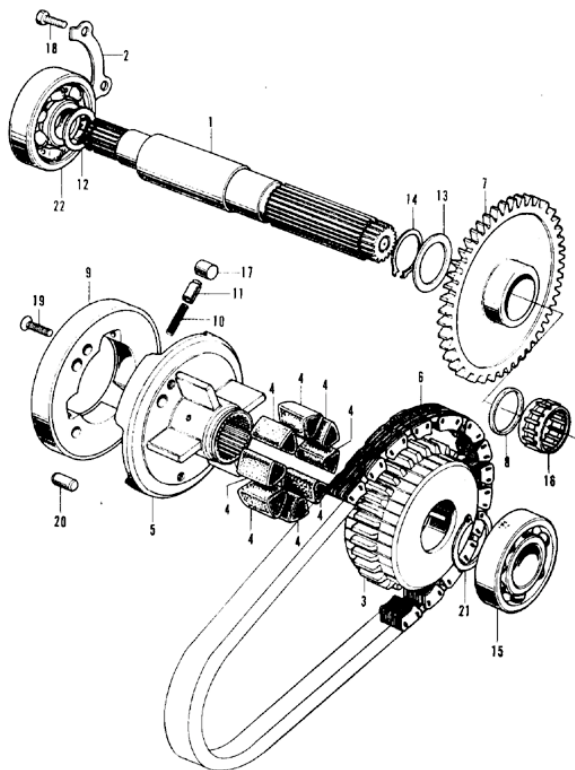
5	13300-323-000	CRANKSHAFT COMP.	1	
6	13315-323-000	BEARING A, crankshaft	(10)	
	13316-323-000	BEARING B, crankshaft	(10)	
	13317-323-000	BEARING C, crankshaft	(10)	
	13318-323-000	BEARING D, crankshaft	(10)	

Selection table of crankshaft journal main bearing

Crankshaft journal allowance		Crankcase allowance			
		Bearing mark color	Clearance (μ)	Bearing mark color	Clearance (μ)
1	33φ ⁺⁰ _{-0.010}	1	33φ ⁺⁰ _{-0.010}	2	33φ ^{-0.010} _{-0.020}
C	36φ ^{+0.024} _{+0.016}	B (BROWN)	20~46	A (BLACK)	22~48
B	36φ ^{+0.016} _{+0.008}	C (GREEN)	20~46	B (BROWN)	22~48
A	36φ ^{+0.008} ₊₀	D (YELLOW)	20~46	C (GREEN)	22~48

7	91201-300-003	OIL-SEAL, 30×42×8	1	
8	91201-323-005	OIL-SEAL, 30×45×8	1	

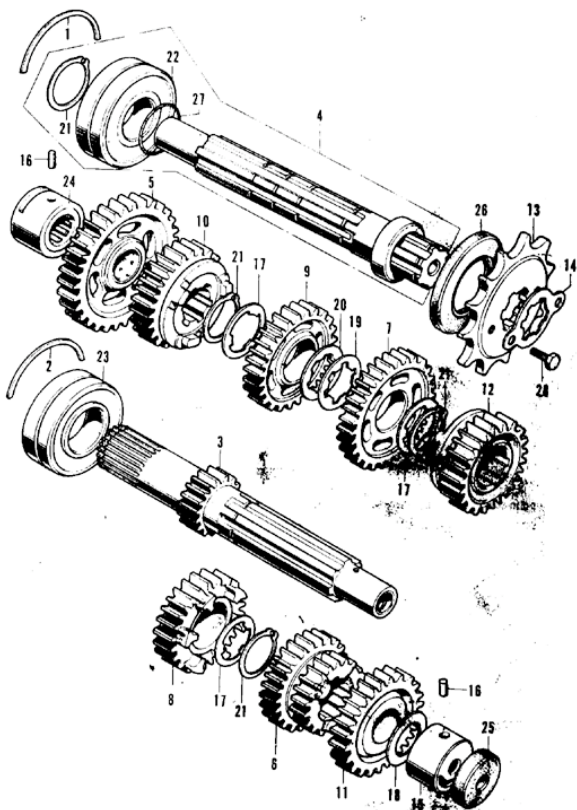
E-15 Primary Shaft



E-15 Primary Shaft

Ref. No.	Part No.	Description	Reqd. No. CBS00	Remarks
1	23100-323-000	PRIMARY SHAFT COMP.	1	
2	23102-323-000	PLATE, bearing set	1	
3	23111-323-010	SPROCKET, primary driven	1	
4	23114-323-000	RUBBER, primary	8	
5	23121-323-010	HUB, primary drive sprocket	1	
6	23131-323-000	CHAIN, primary drive (50L Endless)	1	
7	28111-323-000	GEAR, starting clutch	1	
8	28112-323-000	SPACER, 25 mm	1	
9	28120-323-000	OUTER, starting clutch	1	
10	28125-323-000	SPRING, starting clutch roller	3	
11	28126-323-000	CAP, starting roller spring	3	
12	90456-323-000	WASHER, thrust, 22 mm	1	
13	90555-700-000	WASHER, thrust, 25 mm	1	
14	90602-259-010	CIR-CLIP, 25 mm	1	
15	91005-323-004	BEARING, ball, 63/22 (KOYO)	1	
16	91007-323-000	BEARING, 25×29×17	1	
17	91103-259-000	ROLLER, 10.2×11.5	3	
18	92000-06016	BOLT, hex, 6×16	2	
19	93600-06018	SCREW, flat, 6×18	3	
20	94303-08140	PIN, dowel, 8×14	1	
21	94510-30000	CIR-CLIP, external, 30 mm	1	
22	96100-63060	BEARING, radial ball, 6205	1	

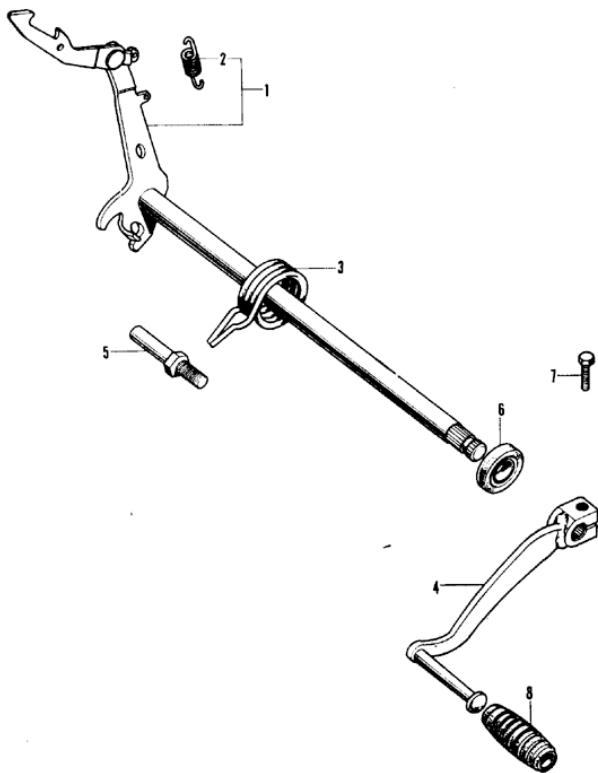
E-16 Transmission



E-16 Transmission

Ref. No.	Part No.	Description	Reqd. No. CB500	Remarks
1	13491-283-000	RING, bearing set, 57 mm	1	
2	13492-283-000	RING, bearing set, 52 mm	1	
3	23210-323-000	MAINSHAFT COMP., transmission	1	
4	23220-323-000	COUNTERSHAFT COMP., transmission	1	
5	23430-323-000	GEAR, low, countershaft (40T)	1	
6	23431-323-000	GEAR, second & third main shaft (32T, 36T)	1	
7	23441-286-030	GEAR, second, countershaft (36T)	1	
8	23451-323-000	GEAR, fourth, mainshaft (28T)	1	
9	23461-286-030	GEAR, third, countershaft (38T)	1	
10	23471-286-010	GEAR, fourth, countershaft (29T)	1	
11	23481-323-000	GEAR, top, mainshaft (30T)	1	
12	23491-286-030	GEAR, top, countershaft (27T)	1	
13	23801-300-010	SPROCKET, drive (17T)	1	
14	23811-292-000	PLATE, drive sprocket fixing	1	
15	23931-323-004	BEARING, needle, 22 mm	1	
16	24261-283-000	PIN, gearshift fork guide	2	
17	90451-286-000	WASHER A, thrust, 25 mm	3	
18	90458-292-000	WASHER, thrust, 20 mm	2	
19	90461-286-000	WASHER B, thrust, 25 mm	1	
20	90462-323-000	WASHER, lock, 25 mm	1	
21	90602-259-010	CIR-CLIP, 25 mm	4	
22	91001-283-003	BEARING, special ball, 5205 (NACHI)	1	
23	91002-286-008	BEARING, HS ball, 5306 (TOYO)	1	
24	91022-286-016	BEARING, needle, 20 mm	1	
25	91203-302-003	OIL-SEAL, 8×34×8 (ARAI)	1	
	91203-292-005	OIL-SEAL, 8×34×8 (N.O.K.)	1	
26	91206-283-010	OIL-SEAL, 33×57×7 (ARAI)	1	
27	91306-703-000	O-RING, 24.5 φ	1	
28	92000-06012	BOLT, hex., 6×12	2	

E-17 Gear Shift Spindle

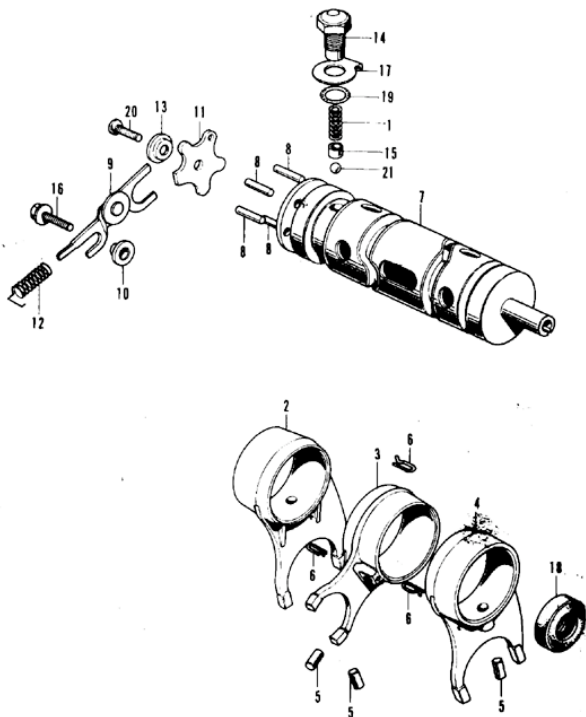


E-17 Gear Shift Spindle

Ref. No.	Part No.	Description	Reqd. No. CB500	Remarks
1	24610-323-000	SPINDLE, gear shift	1	
2	24641-216-000	SPRING, gear shift arm	1	
3	24651-286-000	SPRING, gear shift return	1	
4	24700-323-010	PEDAL, gear change.....	1	
5	90015-286-000	PIN, return spring.....	1	
6	91202-216-000	OIL-SEAL, 14×24×5	1	
7	92000-06020	BOLT, hex., 6×20	1	
8	95011-40000	RUBBER, change pedal	1	



E-18 Gear Shift Fork - Drum

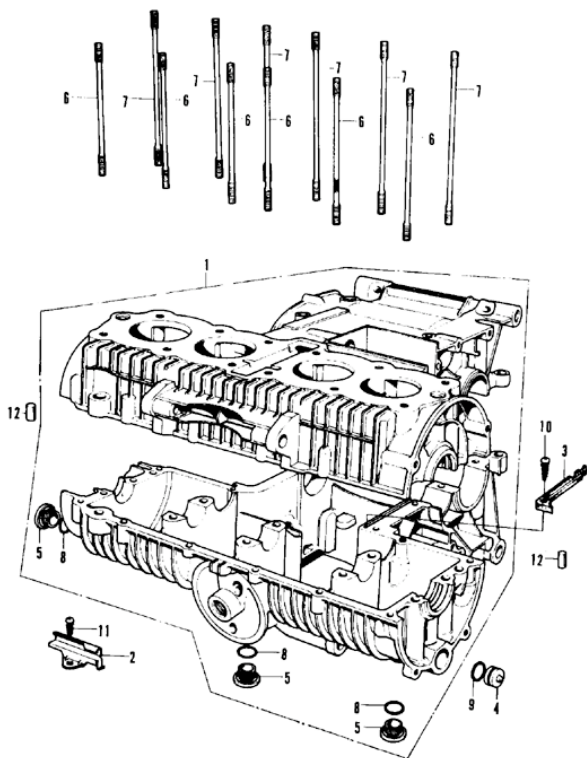


E-18 Gear Shift Fork - Drum

Ref. No.	Part No.	Description	Reqd. No. CB500	Remarks
1	2421-040-000	SPRING, clutch damper	1	
2	24211-323-000	FORK, right gear shift	2	
3	24212-286-000	FORK B, gear shift	1	
4	24213-323-000	FORK, left gear shift	1	
5	24261-283-000	PIN, gear shift fork guide	3	
6	24283-286-000	CLIP, guide pin	3	
7	24301-286-050	DRUM, gear shift	1	
8	24421-230-000	PIN, gear shift drum	4	
9	24480-323-000	STOPPER, shift drum	1	
10	24433-323-000	COLLAR, shift drum stopper	1	
11	24434-286-020	PLATE, drum stopper cam	1	
12	24435-323-000	SPRING, shift drum stopper	1	
13	24438-323-000	COLLAR, shift drum stopper	1	
14	24445-286-020	SCREW, shift drum guide	1	
15	24448-323-000	CAP, neutral stopper spring	1	
16	90085-323-000	BOLT, special, 6 mm	1	
17	90434-286-000	WASHER, lock, 12 mm	1	
18	91201-292-003	OIL-SEAL, 12×25×2.5	1	
19	91304-216-000	O-RING, 11.5×2	1	
20	93600-00020	SCREW, flat, 6×20	1	
21	96211-10000	BALL, steel, #10 (3/16")	1	



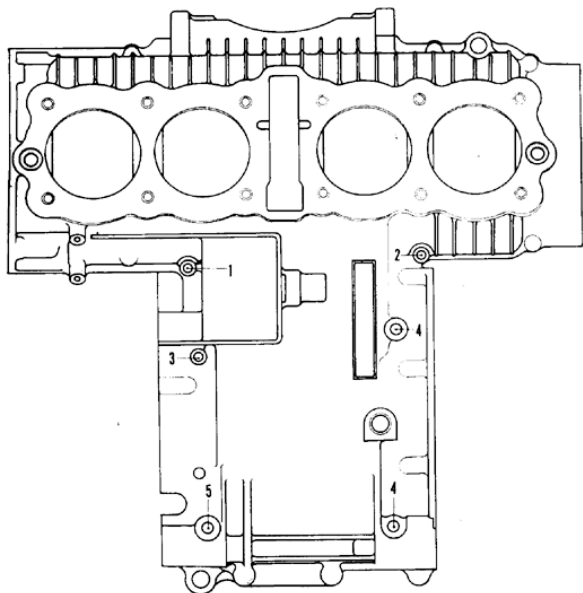
E-19 Crankcase



E-19 Crankcase

Ref. No.	Part No.	Description	Reqd. No. CB500	Remarks
1	11000-323-000	CRANKCASE ASSY.	1	
2	11202-323-000	OIL GUIDE A	1	
3	11203-323-000	OIL GUIDE B	1	~100000
	11203-323-010	OIL GUIDE B	1	(1500/100000)~
4	11207-323-000	PLUG, oil pass	1	
5	15331-300-000	CAP, oil pass	3	
6	90033-323-000	BOLT A, cylinder stud.....	6	
7	90034-323-000	BOLT B, cylinder stud.....	6	
8	91315-044-000	O-RING, 19.4×2.8.....	3	
9	91319-300-000	O-RING, 13×2.5.....	1	
10	90901-25310	SCREW, tapping, 5×16	1	
11	90901-26110	SCREW, tapping, 6×12	1	
12	94302-40160	PIN, dowel, 10×16.....	2	

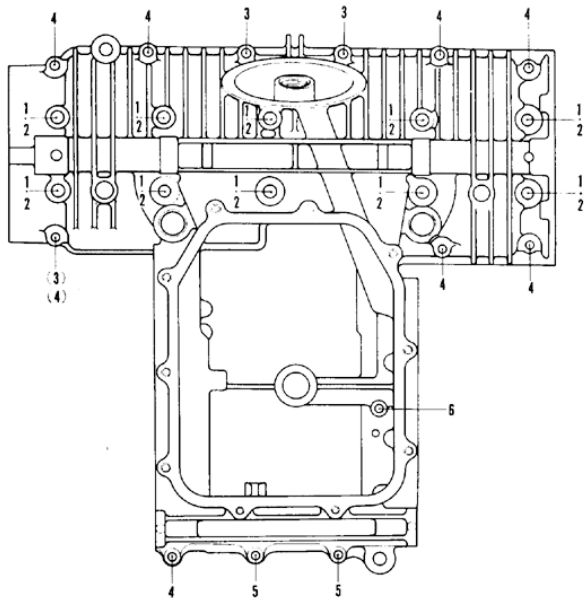
E-20 Upper Case (Bolt & Washer)



E-20 Upper Case (Bolt & Washer)

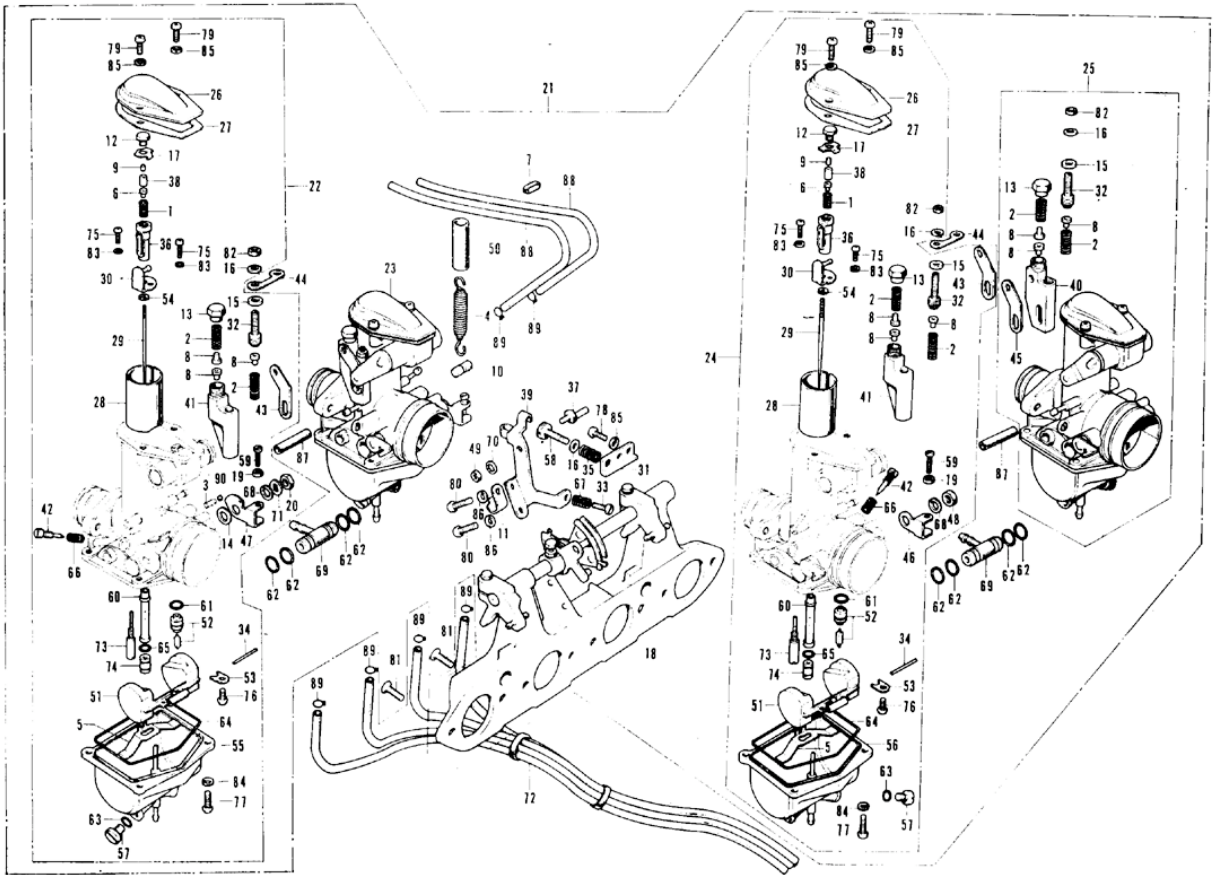
Ref. No.	Part No.	Description	Reqd. No. (1500)	Remarks
1	95700 09032	BOLT, flange, 6x72	1	
2	95700 09050	BOLT, flange, 6x50	1	
3	95700 09100	BOLT, flange, 6x100	1	
4	95700 08100	BOLT, flange, 8x100	2	
5	95700 08125	BOLT, flange, 8x125	1	~100153
	90011 323 000	BOLT, flange, 8x135	1	CB300E-100154 ~

E-21 Lower Case (Bolt & Washer)



E-21 Lower Case (Bolt & Washer)

Ref. No.	Part No.	Description	Reqd. No. CB500	F.R.T.	Remarks
1	90084-023-000	BOLT, hex, 8x100	10		
2	90485-035-000	WASHER, 14 mm	10		
3	95700-09032	BOLT, flange, 6x32	2 3		~1000153 C B 500 E-1000154 ~
4	95700-09040	BOLT, flange, 6x40	8 7		~1000153 C B 500 E-1000154 ~
5	95700-09055	BOLT, flange, 6x55	2		
6	95700-06105	BOLT, flange, 6x105	1		



E-22 Carburetor

Ref. No.	Part No.	Description	Reqd. No. CBS00	Remarks
1	16050-323-004	SPRING A, coil	4	
2	16051-323-004	SPRING B, coil	8	
3	16052-323-004	SPRING C, coil	1	
4	16055-323-004	SPRING A, tension coil	1	
5	16061-323-004	SPRING, leaf	4	
6	16063-323-004	SEAT A, spring	4	
7	16064-300-004	BAND, carburetor breather pipe.....	1	
8	16064-323-004	SEAT B, spring	12	
9	16065-323-004	SEAT C, spring	4	
10	16066-323-004	PLATE, spring set.....	1	
11	16068-323-004	CLIP, tube	1	
12	16080-323-004	BOLT A, special.....	4	
13	16082-323-004	BOLT C, special.....	4	
14	16087-323-004	WASHER, special	1	
15	16088-323-004	WASHER D, special.....	4	
16	16089-323-004	WASHER, plain, 5 mm.....	5	
17	16090-324-004	WASHER, tongued	4	
18	16094-323-004	STAY PLATE COMP.....	1	
19	16096-323-004	NUT, special	3	
20	16097-323-004	NUT, hex.....	1	
21	16100-323-004	CARBURETOR ASSY.	1	
22	16101-323-004	CARBURETOR ASSY. A	1	
23	16102-323-004	CARBURETOR ASSY. B	1	
24	16103-323-004	CARBURETOR ASSY. C	1	
25	16104-323-004	CARBURETOR ASSY. D	1	
26	16107-323-004	TOP	4	
27	16110-323-004	WASHER, top.....	4	
28	16111-323-004	VALVE, throttle	4	
29	16113-323-004	NEEDLE, jet	4	
30	16115-323-004	PLATE, valve	4	

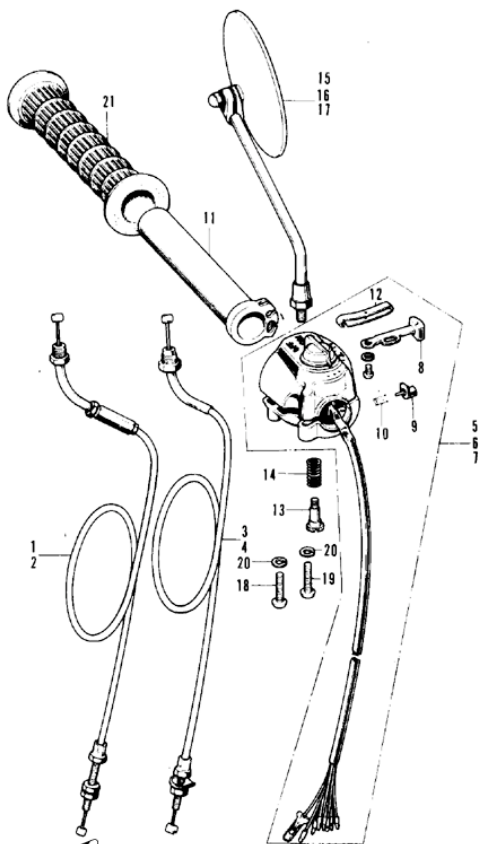
E-22 Carburetor

Ref. No.	Part No.	Description	Reqd. No. CBS00	Remarks
31	16121-323-004	PLATE, stop screw	1	
32	16124-323-004	SCREW A, stop	4	
33	16125-300-004	SCREW, throttle stop	1	
34	16126-259-004	PIN, float arm	4	
35	16126-300-004	SPRING, throttle stop	1	
36	16126-323-004	SHAFT, throttle	4	
37	16127-300-004	PIN, screw stopper	1	
38	16127-323-004	HOLDER, throttle shaft	4	
39	16129-323-004	STAY, throttle cable	1	
40	16131-323-004	HOLDER A, adjust	2	
41	16132-323-004	HOLDER B, adjust	2	
42	16137-323-004	SCREW, adjust	4	
43	16138-323-004	PLATE A, dust	4	
44	16139-323-004	PLATE B, dust	2	
45	16140-323-004	PLATE C, dust	2	
46	16145-323-004	JOINT A, connector	2	
47	16146-323-004	JOINT B, connector	1	
48	16147-292-004	NUT, hex., 7 mm	2	
49	16147-548-004	NUT, hex., 6 mm	1	
50	16150-300-000	TUBE, protector	1	
51	16151-323-004	FLOAT	4	
52	16155-323-004	SEAT, valve	4	
53	16156-323-004	PLATE, clip	4	
54	16157-259-004	CLIP, bar	4	
55	16157-323-004	BODY A, float chamber	2	
56	16158-323-004	BODY B, float chamber	2	
57	16162-304-004	SCREW, drain	4	
58	16163-300-014	SCREW, throttle stop	1	
59	16163-551-004	SCREW, throttle stop	3	
60	16164-323-004	JET, needle	4	

E-22 Carburetor

Ref. No.	Part No.	Description	Repl. No. CB500	Remarks
61	16171-531-001	O RING, 5.7 x 1.3	4	
62	16173-044-004	O RING, 7.8 x 1.9	8	
63	16175-001-004	O RING, 4.5φ	4	
64	16176-286-004	O RING, 6.7 x 1.9	4	
65	16177-551-004	O RING, 4.2 x 1.1	4	
66	16181-292-004	SPRING, air screw	4	
67	16186-300-004	SPRING, stop screw	1	
68	16189-292-004	WASHER, spring, 7mm	3	
69	16191-300-004	JOINT, T type fuel tube	2	
70	16194-518-004	WASHER, interior tooth	1	
71	16197-292-004	WASHER, lock, 7mm	1	
72	16290-024-000	TUBE ASSY, over flow	1	
73	99121-076-000	JET, slow, # 80	4	
74	99154-001-1000	JET, main, # 100	4	
75	93500-03010-0A	SCREW, pan, 3 x 10	8	
76	93500-04010-0A	SCREW, pan, 4 x 10	4	
77	93500-04012-0A	SCREW, pan, 4 x 12	16	
78	93500-05012-0A	SCREW, pan, 5 x 12	2	
79	93500-05016-0A	SCREW, pan, 5 x 16	8	
80	93500-06012	SCREW, pan, 6 x 12	2	
81	93600-06016	SCREW, flat, 6 x 16	8	
82	94001-05000-0S	NUT, hex, 5 mm	4	
83	94111-03000	WASHER, spring, 3mm	8	
84	94111-04000	WASHER, spring, 4 mm	16	
85	94111-05000	WASHER, spring, 5 mm	10	
86	94111-06000	WASHER, spring, 6 mm	2	
87	95001-35026-10	TUBE, fuel, 3.5 x 26	2	
88	95001-35210-49	TUBE, fuel, 3.5 x 210	2	
89	95002-05020	TUBE, clip, Ø7	2	
90	96211-05000	BALL, steel, # 5 (5/16")	1	

F-1 R/H Handle Switch · Cable

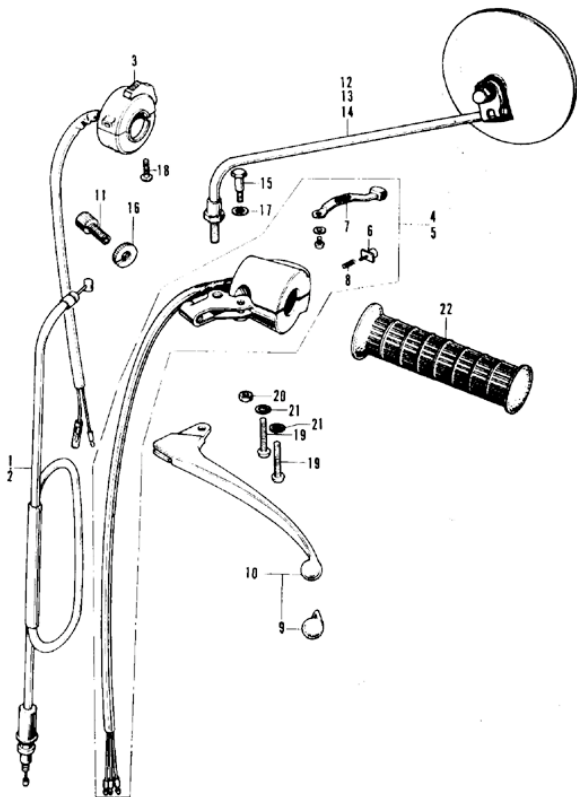


F-1 R/H Handle Switch - Cable

Ref. No.	Part No.	Description	Reqd. No. CR500	Remarks
1	17910-300-040	CABLE COMP. A, throttle (Used in U.S.A., Australia & General)	1	
2	17910-323-620	CABLE COMP. A, throttle (Used in France, England, Germany & Netherlands)	1	
3	17920-323-000	CABLE COMP. B, throttle (Used in U.S.A., Australia & General)	1	
4	17920-323-620	CABLE COMP. B, throttle (Used in France, England, Germany, Netherlands & E.D.)	1	
5	35300-300-674	SWITCH ASSY., starter lighting dimmer kill (Used in U.S.A.)	1	
6	35300-300-621	SWITCH ASSY., starter lighting dimmer kill (Used in France, England, Germany, Australia & General)	1	
7	35300-300-730	SWITCH ASSY., lighting (Used in Netherlands & E.D.)	1	
8	35315-235-000	KNOB, lighting switch	1	
9	35317-001-310	BUTTON, horn push	1	
10	35318-259-000	SPRING, horn button	1	
11	53141-300-010	PIPE, throttle grip	1	
12	53163-300-020	ADJUSTER, throttle grip	1	
13	53190-300-000	BOLT, throttle grip adjust	1	
14	93191-300-000	SPRING, throttle adjust	1	
15	88110-323-004	MIRROR, right back (Used in U.S.A.)	1	
16	88110-323-610	MIRROR, right back (Used in England, Germany, Netherlands & E.D.)	1	
17	88110-304-620	MIRROR, right back (Used in France) (Optional Part)	(1)	
18	93500-06025-0A	SCREW, pan, 5 x 25	1	
19	93500-06032-0A	SCREW, pan, 5 x 32	1	
20	94111-05000	WASHER, spring, 5 mm	2	
21	95011-14100	GRIP, right handle	1	

PART GROUP

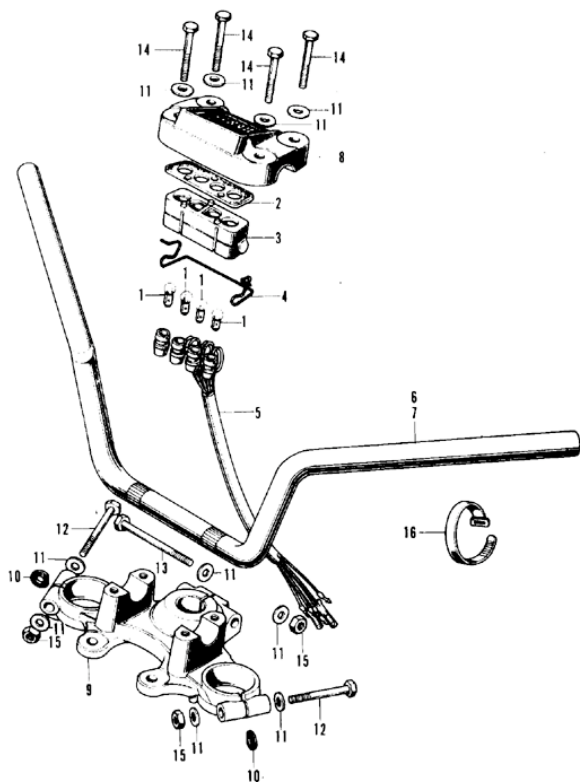
F-2 L/H Handle Switch · Cable



F-2 L/H Handle Switch - Cable

Ref. No.	Part No.	Description	Repl. No. CB500	Remarks
1	22870-323-010	CABLE COMP, clutch (Used in U.S.A. & General)	1	
2	22870-323-620	CABLE COMP, clutch (Used in France, England, Germany, Netherlands & E.D.)	1	
3	35150-300-730	SWITCH ASSY, lighting (Used in Netherlands & E.D.)	1	
4	35250-300-033	SWITCH ASSY, winker horn (Used in U.S.A.)...	1	
5	35250-323-013	SWITCH ASSY, winker horn passing (Used in France, England, Germany, General, Australia, Netherlands & E.D.)	1	
6	35317-001-330	BUTTON, horn push	1	
7	35317-235-000	KNOB, horn switch	1	
8	35318-259-000	SPRING, horn push	1	
9	53180-286-000	CAP, control lever	1	
10	53190-286-670	LAYER COMP, left steering handle	1	
11	53192-312-000	BOLT, clutch cable adjust	1	
12	88120-323-671	MIRROR, left back (Used in U.S.A.)	1	
13	88120-323-610	MIRROR, left back (Used in England, Germany, Netherlands & E.D.)	1	
14	88120-304-620	MIRROR, left back (Used in France)	1	
15	90114-268-020	BOLT, handle lever pivot	1	
16	90321-292-000	NUT, 5xing	1	
17	90501-810-000	WASHER, 7x12	1	
18	93500-04016-0A	SCREW, pan 4x16 (Used in Netherlands & E.D.)	1	
19	93500-05025-0A	SCREW, pan, 5x25	2	
20	94001-06000	NUT, hex, 6 mm	1	
21	94111-05000	WASHER, spring, 5 mm	2	
22	95011-14200	GRIP, left handle	1	

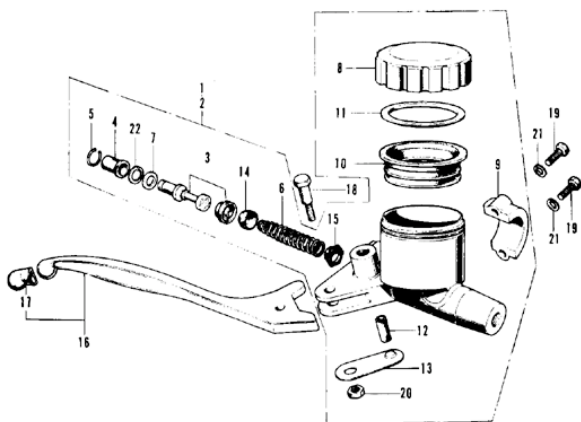
F-3 Handle · Top Bridge



F-3 Handle - Top Bridge

Ref. No.	Part No.	Description	Reqd. No. CR500	Remarks
1	34902-259-000	BULB, dash	4	
2	37576-323-000	BASE, lamp socket	1	
3	37577-323-000	SOCKET, pilot lamp	1	
4	37579-323-000	SPRING, lamp socket set	1	
5	37581-323-000	CORD COMP, pilot lamp	1	
6	53100-323-000	PIPE, steering handle	1	
		(Used in U.S.A., Australia & General)		
7	53100-323-620	PIPE, steering handle	1	
		(Used in France, England, Germany, Netherlands & E.D.)		
8	53133-323-000	HOLDER, upper	1	
9	53230-323-010	BRIDGE, fork top	1	
10	53235-300-000	WASPER, spacer	2	
11	90555-283-000	WASHER, special, 8 mm	10	
12	93000-08056-0B	BOLT, hex, 8x56	2	
13	93000-08074-0B	BOLT, hex, 8x74	1	
14	93100-08040-0B	BOLT, hex, 8x40	4	
15	94001-08020-0S	NUT, hex, 8 mm	3	
16	95014-61100	BAND, Al, wire (Used in Netherlands & E.D.) ...	1	

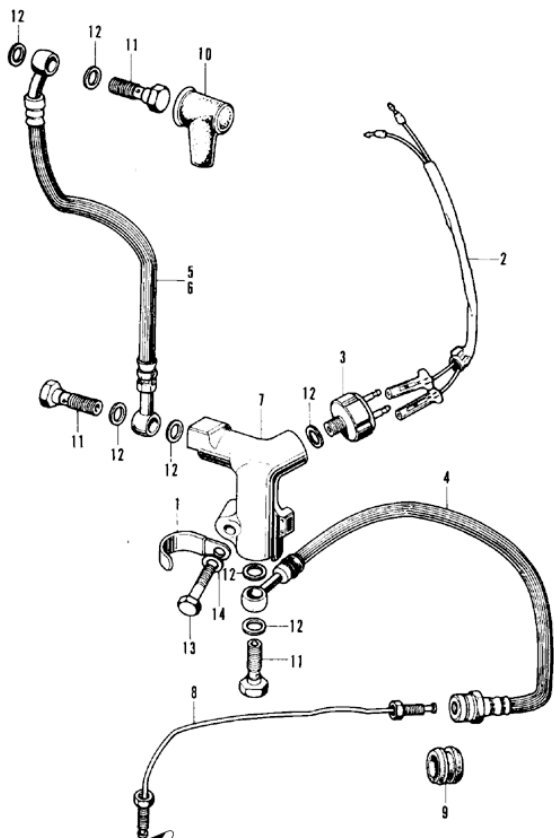
F-4 Brake Master Cylinder



F-4 Brake Master Cylinder

Ref. No.	Part No.	Description	Reqd. No. CB500	Remarks
1	45500-300-050	CYLINDER ASSY., master (Not used in France)...	1	
2	45500-300-021	CYLINDER ASSY., master (Used in France)	1	
3	45502-300-305	PISTON SET	1	
4	45504-300-003	BOOTS	1	
5	45505-300-003	WASHER, stopper.....	1	
6	45506-300-003	SPRING COMP.	1	
7	45512-300-003	WASHER, 10.5 φ	1	
8	45513-300-020	CAP, oil cup	1	
9	45517-300-003	HOLDER, master cylinder	1	
10	45520-300-000	DIAPHRAGM	1	
11	45521-300-010	PLATE, diaphragm	1	
12	45526-300-000	BUSH, right handle lever	1	
13	45527-300-000	PLATE, lever bush setting.....	1	
14	46125-533-003	CUP, primary	1	
15	46140-533-003	VALVE COMP., check.....	1	
16	53170-300-000	LEVER ASSY., handle.....	1	
17	53180-286-000	CAP, control lever.....	1	
18	90114-300-000	BOLT, handle lever pilot.....	1	
19	93000-06025-02	BOLT, hex., 6×25	2	
20	94002-06000	NUT, hex., 6 mm	1	
21	94111-06000	WASHER, spring, 6 mm	2	
22	94520-18000	CIR-CLIP, internal, 18 mm.....	1	

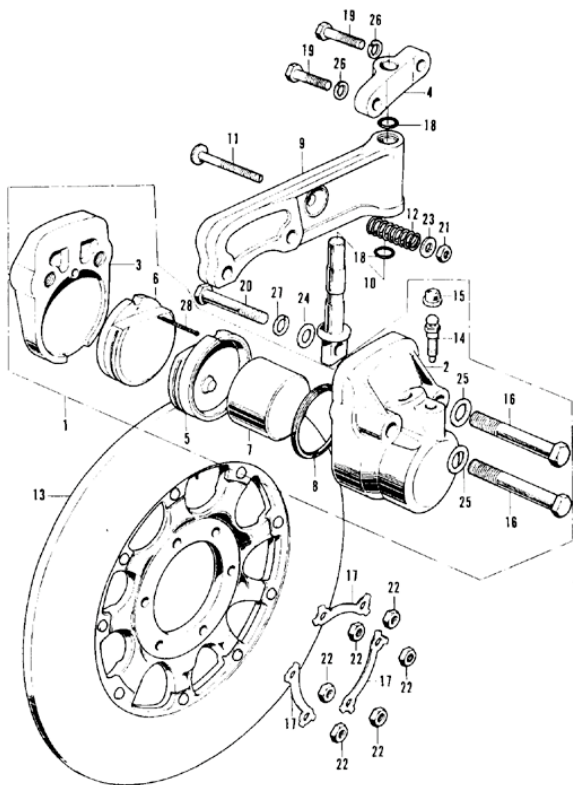
F-5 Front Brake · Hose



F-5 Front Brake · Hose

Ref. No.	Part No.	Description	Reqd. No. CR500	Remarks
1	32111-323-000	CLAMPER, cord.....	1	
2	35345-319-000	CORD, front stop switch sub.....	1	
3	35350-300-006	SWITCH ASSY., stop	1	
4	45125-300-020	HOSE A, front brake	1	
5	45126-300-030	HOSE B, front brake (Used in U.S.A., General & Australia)	1	
6	45126-323-620	HOSE B, front brake (Used in France, England, Germany, Netherlands & E.D.)	1	
7	45127-323-000	JOINT, three way	1	
8	45128-323-020	PIPE, front brake	1	
9	45146-300-000	GROMET, brake hose	1	
10	45622-300-010	BOOT, master cylinder	1	
11	90145-300-000	BOLT, oil	3	
12	90845-300-000	WASHER, oil bolt	7	
13	92000-06028	BOLT, hex., 6×28	1	
14	94101-06000	WASHER, plain, 6 mm.....	1	

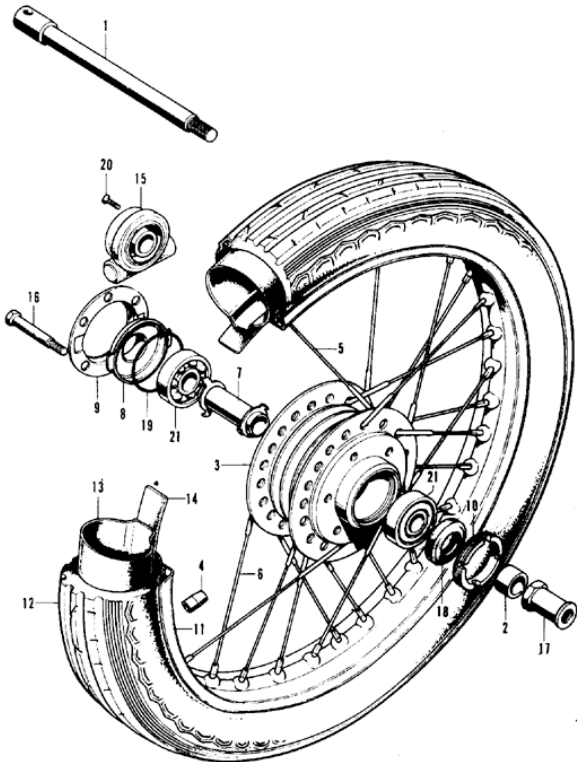
F-6 Front Brake Callper · Disk



F-6 Front Brake Caliper - Disk

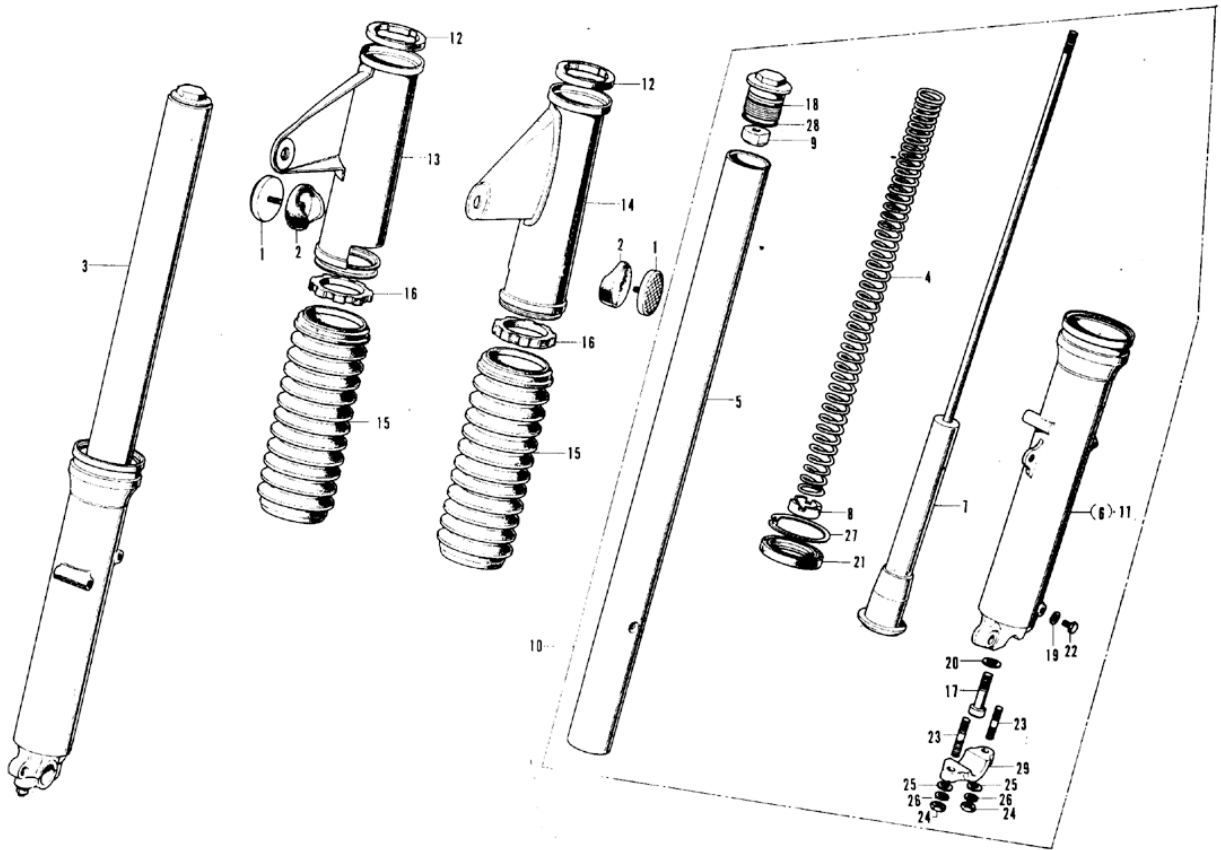
Ref. No.	Part No.	Description	Reqd. No. CB500	Remarks
1	45100-323-023	CALIPER ASSY. (TOKIKO).....	1	
2	45101-323-013	CALIPER A (TOKIKO).....	1	
3	45102-323-003	CALIPER B (TOKIKO).....	1	
4	45104-323-010	JOINT, caliper holder.....	1	
5	45106-323-023	PAD COMP. A (TOKIKO).....	1	
	45106-323-016	PAD COMP. A (ASAHI).....	1	
6	45106-323-013	PAD COMP. B (TOKIKO).....	1	
	45106-323-006	PAD COMP. B (ASAHI).....	1	
7	45107-323-000	PISTON COMP.	1	
8	45108-300-003	SEAL, piston (TOKIKO).....	1	
9	45115-323-010	HOLDER, caliper.....	1	
10	45116-323-010	PIN, caliper holder.....	1	
11	45117-300-020	BOLT, caliper adjust.....	1	
12	45119-300-020	SPRING, caliper adjust.....	1	
13	45120-323-030	DISK COMP., front brake.....	1	
14	45224-579-013	VALVE, breather (TOKIKO).....	1	
15	45225-579-013	CAP, breather valve (TOKIKO).....	1	
16	90165-323-000	BOLT, caliper setting.....	2	
17	90522-300-010	WASHER, tongued, 8 mm.....	3	
18	91259-300-000	O-RING, 10x1.7.....	2	
19	92200-06025	BOLT, hex., 6x25.....	2	
20	92200-08035-0A	BOLT, hex., 8x35.....	1	
21	94001-06000	NUT, hex., 6 mm.....	1	
22	94001-08000-0S	NUT, hex., 8 mm.....	6	
23	94101-06000	WASHER, plain, 6 mm.....	1	
24	94101-08000	WASHER, plain, 8 mm.....	1	
25	94102-10000	WASHER, plain, 10 mm.....	2	
26	94111-06000	WASHER, spring, 6 mm.....	2	
27	94111-08000	WASHER, spring, 8 mm.....	1	
28	94301-10220	PIN, split, 1.6x22.....	1	

F-7 Front Wheel



F-7 Front Wheel

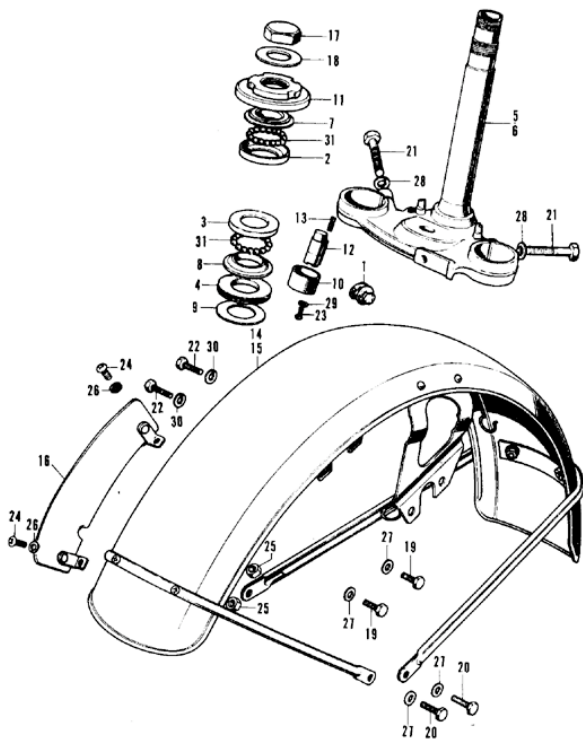
Ref. No.	Part No.	Description	Reqd. No. CB500	F.R.T.	Remarks
1	44301-300-000	AXLE, front wheel.....	1	0.4	
2	44311-300-000	COLLAR, front wheel.....	1	0.4	
3	44601-300-040	HUB, front wheel.....	1	2.7	
4	44606-283-000	BALANCER, wheel (20 g).....	(0~2)	0.1	
	44607-283-000	BALANCER, wheel (15 g).....	(0~2)		
	44608-283-000	BALANCER, wheel (10 g).....	(0~2)		
	44609-283-000	BALANCER, wheel (5 g).....	(0~2)		
5	44606-300-003	SPOKE A, front (DAIDO).....	20	2.5	
6	44607-300-003	SPOKE B, front (DAIDO).....	20	2.5	
7	44620-300-020	COLLAR, front axle distance.....	1	0.6	
8	44641-300-020	RETAINER, gear box.....	1	0.5	
9	44642-300-020	COVER, gear box retainer.....	1	0.5	
10	44643-300-000	RETAINER, front wheel bearing.....	1	0.6	
11	44701-300-013	RIM, front wheel (DAIDO).....	1	2.7	
12	44711-300-003	TIRE, front wheel (B.S. MC 3.25-19 4 P.R.).....	1	1.0	
13	44712-300-000	TUBE, front wheel (3.25-19).....	1	1.0	
14	44713-300-000	FLAP, front tire.....	1	1.0	
15	44800-323-000	GEAR BOX ASSY., speedometer.....	1	0.5	
16	90122-300-020	BOLT, 8 x 102.....	6	0.1	
17	90306-300-000	NUT, front wheel axle.....	1	0.1	
18	91252-300-003	DUST-SEAL, 22368 (ARAI).....	1	0.6	
19	91302-300-000	O-RING, 58 x 2.....	1	0.5	
20	93700-05015-0A	SCREW, oval, 5 x 15.....	1		
21	96140-63020	BEARING, ball, 6302R.....	2		



F-8 Front Cushion

Ref. No.	Part No.	Description	Reqd. No. CB500	Remarks
1	33741-286-670	REFLECTER, front reflex	2	
2	33743-286-670	BASE, reflex reflector	2	
3	51400-323-020	FORK ASSY., right front	1	
4	51401-323-010	SPRING, front cushion	2	
5	51410-323-010	PIPE, front fork	2	
6	51421-323-010	CASE, right front fork bottom	1	
7	51430-323-010	DAMPER COMP.	2	
8	51461-323-010	SEAT, cushion spring	2	
9	51462-323-000	NUT, lock, 8 mm	2	
10	51500-323-020	FORK ASSY., left fork	1	
11	51521-323-010	CASE, left front fork bottom	1	
12	51601-323-000	CUSHION A, fork cover	2	
13	51602-323-010XW	COVER, right front fork (Chrome)	1	
14	51606-323-010XW	COVER, left front fork (Chrome)	1	
15	51611-300-000	BOOT, front fork	2	
16	51622-323-000	CUSHION B, front cover	2	
17	90116-283-010	BOLT, hollow set, 8 mm	2	
18	90123-323-010	BOLT, front fork	2	
19	90543-273-000	PACKING, drain cock	2	
20	90544-283-000	WASHER, special, 8 mm	2	
21	91255-323-013	OIL-SEAL, 354811	2	
22	92000-06010	BOLT, hex., 6x10	2	
23	92700-08050-30	BOLT, stud, 8x50	4	
24	94030-08000	NUT, hex., 8 mm	4	
25	94101-08000	WASHER, plain, 8 mm	4	
26	94111-08000	WASHER, spring, 8 mm	4	
27	94521-48000	CIR-CLIP, internal, 48 mm	2	
28	94608-50000	O-RING, 23x2.8	2	
29	95014-41000	HOLDER, axle	2	

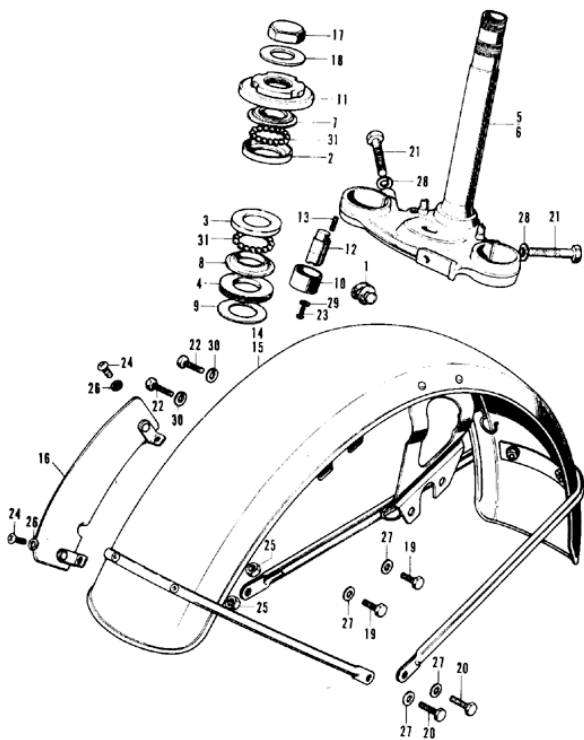
F-9 Steering Stem - Front Fender



F-9 Steering Stem - Front Fender

Ref. No.	Part No.	Description	Reqd. No. CBS00	Remarks
1	45451-283-000	GROMMET, wire	1	
2	50001-298-305	RACE, steering top ball	1	
3	50002-298-305	RACE, steering bottom ball	1	
4	53124-250-000	SEAL, steering head dust	1	
5	53200-323-010B	STEM COMP., steering (Black) (Used in U.S.A., France, Australia & General)	1	
6	53200-323-610B	STEM COMP., steering (Black) (Used in Germany, Netherlands & E.D.)	1	
7	53211-298-305	RACE, steering top cone	1	
8	53212-250-305	RACE, steering bottom cone	1	
9	53215-250-000	WASHER, steering head dust seal	1	
10	53215-317-000	COVER COMP., handle lock case	1	
11	53220-296-000	THREAD COMP., steering head top	1	
12	53900-231-000	LOCK COMP., handle	1	(Not used in Germany, Netherlands & E.D.)
13	53931-298-020	SPRING, handle lock	1	(Not Used in Germany, Netherlands & E.D.)
14	61100-323-600XW	FENDER COMP., front (Chrome) (Not used in England)	1	
15	61100-323-600XW	FENDER COMP., front (Chrome) (Used in England)	1	
16	61131-283-600B	PLATE, front number (Black) (Used in England)	1	
17	90004-323-670	NUT, steering stem	1	
18	90503-283-000	WASHER, steering stem	1	
19	92000-06016	BOLT, hex., 6x16	2	
20	92000-06020	BOLT, hex., 6x20	4	

F-9 Steering Stem - Front Fender

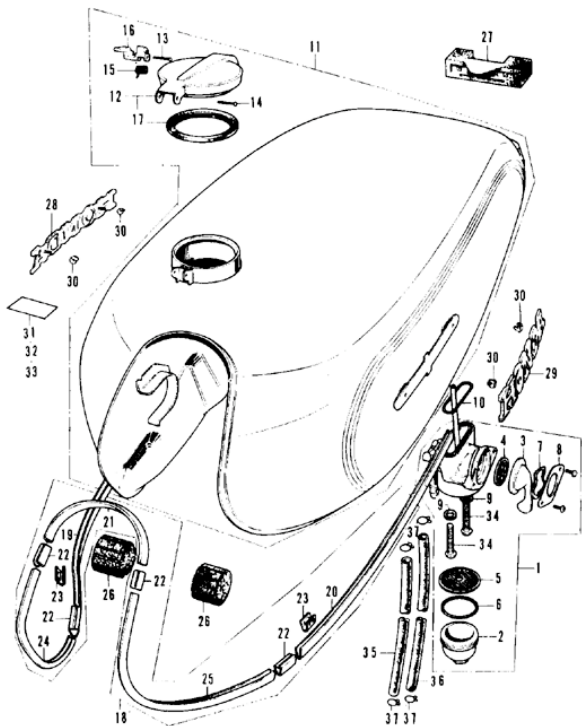


F-9 Steering Stem - Front Fender

Ref. No.	Part No.	Description	Reqd. No. CB500	Remarks
21	92000-10035 0A	BOLT, hex., 10x35	2	
22	92200-06025	BOLT, hex., 6x25	2	
23	93500-03008 0A	SCREW, pan., 3x8	1	
24	93500-04012 0B	SCREW, pan., 4x12	4	(Used in England)
25	94001-04000 0S	NUT, hex., 4 mm (Used in England)	4	
26	94101-04000	WASHER, plain, 4 mm (Used in England)	4	
27	94101-06000	WASHER, plain, 6 mm	6	
28	94101-10000	WASHER, plain, 10 mm	2	
29	94111-03000	WASHER, spring, 3 mm	1	
30	94111-06000	WASHER, spring, 6 mm	2	
31	96211 08000	BALL, steel, $\phi 8$ ($\frac{5}{16}$)	37	



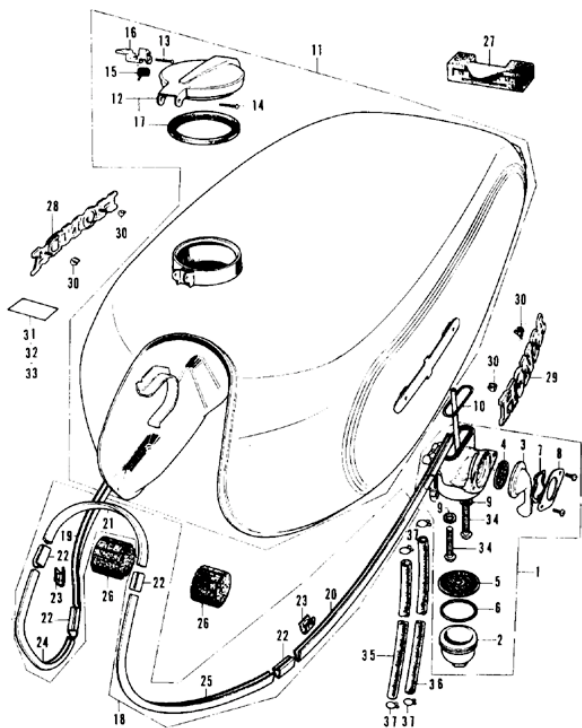
F-10 Fuel Tank - Cock



F-10 Fuel Tank - Cock

Ref. No.	Part No.	Description	Repl. No. CB500	Remarks
1	16950-300-020	COCK ASSY., fuel.....	1	
2	16952-268-000	CUP, fuel strainer	1	
3	16953-268-020	LEVER, cock	1	
4	16955-268-020	PACKING, cock	1	
5	16957-268-010	SCREEN, fuel strainer	1	
6	16958-268-010	O RING	1	
7	16960-268-010	SPRING, cock lever	1	
8	16961-268-010	COVER, cock	1	
9	16993-011-000	PACKING, fuel cock fixing	2	
10	16997-273-006	O RING (256)	1	
11	17500-323-000KD	TANK COMP., fuel (Candy jet green & Black) ...	1	
	17500-323-000KE	TANK COMP., fuel (Candy garnet brown & Black)	1	
	17500-323-000KF	TANK COMP., fuel (Star light gold & Black).....	1	
12	17510-323-310	CAP COMP., fuel tank.....	1	
13	17513-300-300	PIN, fuel filler cap check.....	1	
14	17514-323-300	PIN B, fuel cap	1	
15	17515-300-300	SPRING, cap check	1	
16	17517-300-340	CHECK, fuel filler cap.....	1	
17	17534-323-300	PACKING fuel cap packing	1	
18	17540-323-000	MOLE-SET, fuel tank	1	
19	17541-323-000	MOLE, right fuel tank	1	
20	17542-323-000	MOLE, left fuel tank.....	1	
21	17543-323-000	MOLE, tank middle	1	
22	17544-323-000	CLIP A, tank mole	6	
23	17545-323-010	CLIP B, tank mole.....	15	
24	17548-323-000	MOLE, right middle tank	1	
25	17549-323-000	MOLE, left middle tank	1	

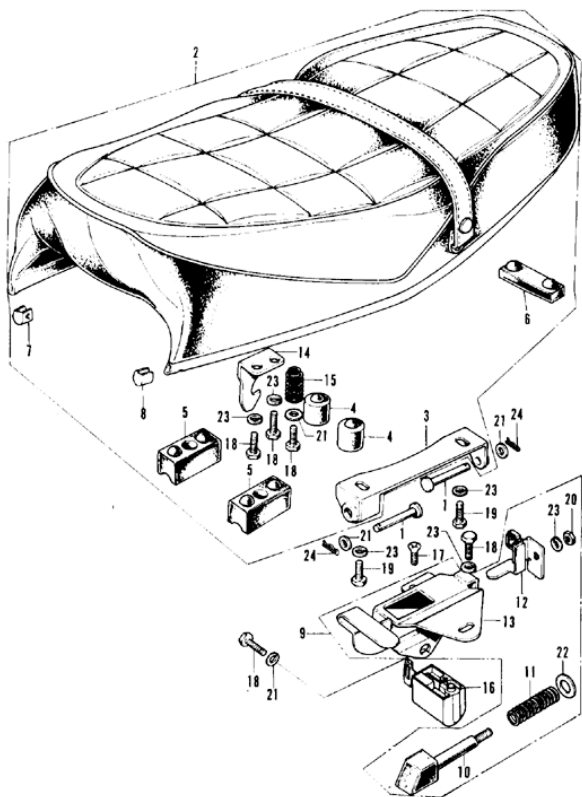
F-10 Fuel Tank - Cock



F-10 Fuel Tank - Cock

Ref. No.	Part No.	Description	Reqd. No. CB500	Remarks
26	17611-283-010	CUSHION, fuel tank front	2	
27	17613-286-000	CUSHION, fuel tank rear	1	
28	87121-300-030	EMBLEM, right fuel tank	1	
29	87122-300-030	EMBLEM, left fuel tank	1	
30	87311-516-000	NUT, rear ownerment clamp	4	
31	87560-323-600	MARK, drive caution	1	
		(Used in England, General, Netherlands, Australia & E.D.)		
32	87560-323-610	MARK, drive caution (Used in Germany)	1	
33	87560-323-620	MARK, drive caution (Used in France)	1	
34	93500-06032	SCREW, pan, 6x32	2	
35	95001-55180-40	TUBE, fuel, 5.5x180	1	
36	95001-55300-40	TUBE, fuel, 5.5x300	1	
37	95002-02100	CLIP, tube B10	4	

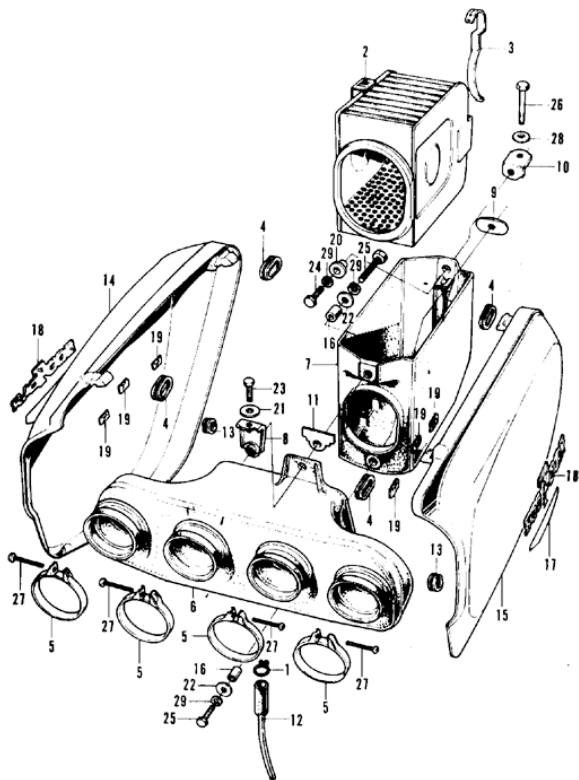
F-11 Double Seat



F-11 Double Seat

Ref. No.	Part No.	Description	Repl. No. CR500	Remarks
1	77103 313 000	BAR, seat hinge	2	
2	77200 323 030A	SEAT COMP, double (Black)	1	
3	77201 323 000	HINGE, seat	1	
4	77204 296 030	RUBBER, seat set	2	
5	77204 292 000	RUBBER A, seat set	2	
6	77204 312 000	RUBBER, seat set	1	
7	77211 323 300	GARNISH, right seat mole	1	
8	77212 323 300	GARNISH, left seat mole	1	
9	77230 323 010	CATCH ASSY., seat	1	
10	77231 317 670	SLIDER, seat catch	1	
11	77232 300 000	SPRING, seat catch	1	
12	77233 323 010	LEVER, seat catch	1	
13	77234 323 030	PLATE, seat catch	1	
14	77235 323 000	HOOK, seat catch	1	
15	77244 300 000	SPRING, seat lift	1	
16	77250 323 000	LOCK ASSY., seat	1	
17	90264 028 000 93600 06010	(Superseded by 93600 06010) SCREW, pan, 6x10	2	
18	92000 06012	BOLT, hex., 6x12	5	
19	92000 06016	BOLT, hex., 6x16	2	
20	94001 06000	NUT, hex., 6 mm	1	
21	94101 06000	WASHER, plain, 6 mm	5	
22	94102 08000	WASHER, plain, 8 mm	1	
23	94111 06000	WASHER, spring, 6 mm	5	
24	94251 06000	PIN, lock, 6 mm	2	

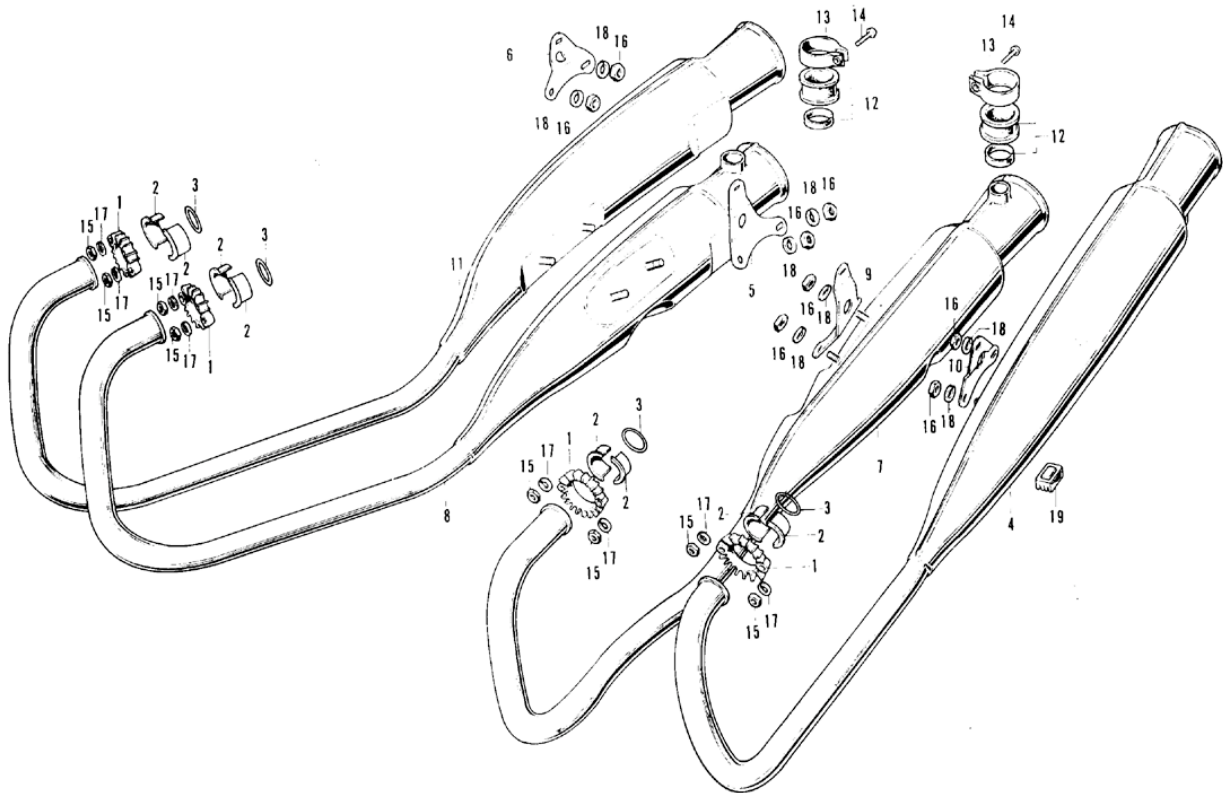
F-12 Air Cleaner · Element · Side Cover



F-12 Air Cleaner - Element - Side Cover

Ref. No.	Part No.	Description	Repl. No. (If 500)	F.R.T.	Remarks
1	15772-292-010	CLIP, breather tube	1	0.1	
2	17210-323-020	ELEMENT, air cleaner.....	1	0.1	
3	17216-323-020	SPRING, cleaner element.....	1	0.1	
4	17247-303-000	GROMMET, air cleaner case.....	4	0.1	
5	17255-323-000	BAND A, connect tube	4	0.1	
6	17310-323-000B	CHAMBER COMP., air cleaner (Black).....	1	0.8	
7	17313-323-030	CASE, air cleaner element seal.....	1	0.4	
8	17317-323-010	STAY, air cleaner	1	0.2	
9	17318-323-000	WASHER, element set.....	1	0.2	
10	17319-323-000	STAY, air cleaner rear.....	1	0.2	
11	17331-323-000	PLATE, air cleaner	1	0.2	
12	17335-323-000	TUBE ASSY., breather	1	0.2	
13	83551-300-000	GROMMET, air cleaner case.....	2	0.1	
14	83900-323-020KB	COVER, right side (Candy jet green).....	1	0.1	
	83900-323-020EE	COVER, right side (Candy garnet brown).....	1		
	83900-323-020KC	COVER, right side (Star light gold).....	1		
15	83700-323-020KB	COVER, left side (Candy jet green).....	1	0.1	
	83700-323-020EE	COVER, left side (Candy garnet brown)	1		
	83700-323-020KC	COVER, left side (Star light gold)	1		
16	84705-310-000	COLLAR, rear fender	2	0.2	
17	87123-323-000B	LABEL, side cover (Black)	2	0.1	
	87123-323-000KG	LABEL, side cover (Gold)	2		
18	87124-323-000	EMBLEM, side cover	2	0.1	
19	90315-504-000	NUT, spire, 3 mm	6	0.1	
20	90512-300-000	WASHER, 6x20.....	1	0.2	
21	90543-567-000	(Superseded by 90601-579-000)			
	90601-579-000	WASHER, plain, 6 mm.....	1	0.2	
22	90581-701-000	WASHER, 18 mm	1		
23	92000-06012	BOLT, hex., 6x12	1		
24	92000-06016	BOLT, hex., 6x16	1		
25	92000-06025	BOLT, hex., 6x25	2		
26	92000-06040	BOLT, hex., 6x40	1		
27	93500-04020-0A	SCREW, pan, 4x20	4		
28	94101-06000	WASHER, plain, 6 mm.....	2		
29	94111-06000	WASHER, spring, 6 mm	3		

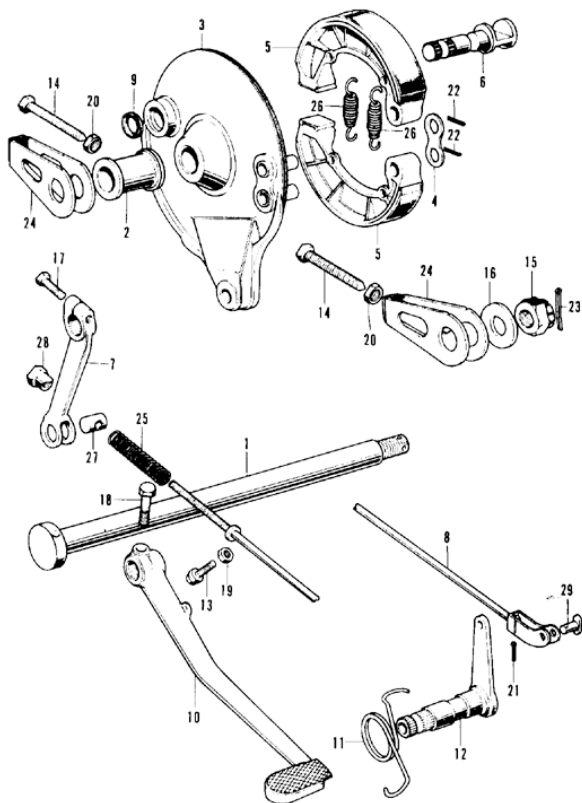
F-13 Muffler



F-13 Muffler

Ref. No.	Part No.	Description	Repl. No. (If any)	Remarks
1	18231-323-000	JOINT, exhaust pipe	1	
2	18231-107-000	COLLAR, exhaust pipe joint	8	
3	18291-216-000	GASKET, exhaust pipe	4	
4	18300-323-050	MUFFLER COMP. I, exhaust (Used in U.S.A.)	1	
	18300-323-060	MUFFLER COMP. I, exhaust (Used in France, England, Germany, Netherlands, Australia, General & E.D.)	1	
5	18340-323-040	BRACKET B, right muffler	1	
6	18345-323-010	BRACKET A, right muffler	1	
7	18350-323-050	MUFFLER COMP. II, exhaust (Used in U.S.A.)	1	
	18350-323-060	MUFFLER COMP. II, exhaust (Used in France, England, Germany, Netherlands, Australia, General & E.D.)	1	
8	18400-323-040	MUFFLER COMP. III, exhaust (Used in U.S.A.)	1	
	18400-323-070	MUFFLER COMP. III, exhaust (Used in France, England, Germany, Netherlands, Australia, General & E.D.)	1	
9	18430-323-040	BRACKET B, left muffler	1	
10	18435-323-010	BRACKET A, left muffler	1	
11	18450-323-060	MUFFLER COMP. IV, exhaust (Used in U.S.A.)	1	
	18450-323-070	MUFFLER COMP. IV, exhaust (Used in France, England, Germany, Netherlands, Australia, General & E.D.)	1	
12	18473-323-000	TUBE, muffler connect	2	
13	18476-323-000	BAND, muffler connect	2	
14	93800-05016-00	SCREW, pan, 5 x 16	2	
15	94001-06000	NUT, hex., 6 mm	8	
16	94001-08000-05	NUT, hex., 8 mm	8	
17	94111-06000	WASHER, spring, 6 mm	8	
18	94111-08000	WASHER, spring, 8 mm	8	
19	95011-61000	RUBBER A, stand stopper	1	

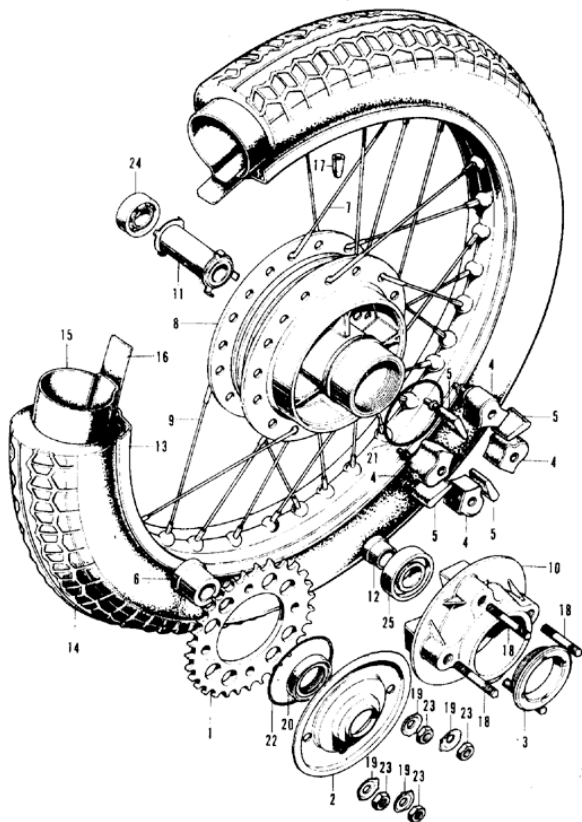
F-14 Rear Brake Pedal - Panel



F-14 Rear Brake Pedal - Panel

Ref. No.	Part No.	Description	Reqd. No. (B50)	Remarks
1	42301-300-010	AXLE, rear wheel	1	
2	42313-323-010	COLLAR, rear brake panel.....	1	
3	43100-319-000	PANEL COMP., rear brake	1	
4	43106-222-300	WASHER, anchor pin	1	
5	43130-285-000	SHOE COMP., rear brake	2	9500
6	43141-323-000	CAM, rear brake	1	
7	43411-283-000	ARM, rear brake	1	
8	43451-323-010	ROD COMP., rear brake.....	1	
9	45134-250-000	SEAL, brake cam dust.....	1	
10	46500-323-010	PEDAL COMP., rear brake	1	
11	46514-323-020	SPRING, brake pedal	1	
12	46515-323-010	SHAFT COMP., rear brake pivot.....	1	
13	90104-323-000	BOLT, brake pedal adjust	1	
14	90119-300-000	BOLT, chain adjust	2	
15	90306-268-000	NUT, rear wheel axle	1	
16	90523-292-000	WASHER, 18.5x34	1	
17	92000-06020	BOLT, hex., 6x20	1	
18	92000-08028-0A	BOLT, hex., 8x28	1	
19	94001-06000	NUT, hex., 6 mm	1	
20	94002-08000-0S	NUT, hex., 8 mm	2	
21	94201-16150	PIN, split, 1.6x15	1	
22	94201-25200	PIN, split, 2.5x20	2	
23	94201-40300	PIN, split, 4.0x30	1	
24	95014-19000	ADJUSTER K, chain.....	2	
25	95014-73300	SPRING C, brake rod	1	
26	95014-74320	SPRING C2, brake rod	2	
27	95015-32000	JOINT, brake arm.....	1	
28	95015-42000	NUT B, adjust.....	1	
29	95015-52000	PIN B, joint	1	

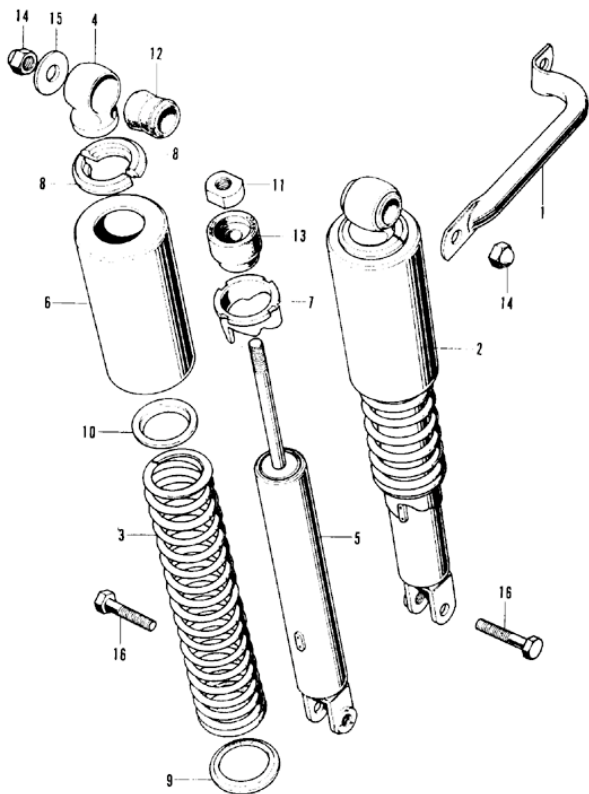
F-15 Rear Wheel - Driven Sprocket



F-15 Rear Wheel - Driven Sprocket

Ref. No.	Part No.	Description	Reqd. No. CB500	Remarks
1	41201-323-010	SPROCKET, final driven	1	
2	41211-323-000	PLATE, sprocket side	1	
3	41231-323-020	RETAINER, bearing (left hand threads).....	1	
4	41242-323-000	DAMPER A, rear wheel	4	
5	41243-323-000	DAMPER B, rear wheel	4	
6	42311-323-040	COLLAR, rear wheel side	1	
7	42601-283-000	SPOKE A, rear	20	
8	42601-323-030	HUB COMP, rear wheel.....	1	
9	42604-283-000	SPOKE B, rear	20	
10	42610-323-000	FLANGE, final driven	1	
11	42620-323-030	COLLAR, rear axle distance	1	
12	42625-283-000	COLLAR B, rear axle distance	1	
13	42701-283-003	RIM, rear wheel (1.85Bx18" DAIDO)	1	
14	42711-323-003	TIRE, rear wheel (BRIDGESTONE MC 350-18") ..	1	
15	42712-287-000	TUBE, rear wheel (1.50-18")	1	
16	42713-268-000	FLAP, rear tire (18")	1	
17	44606-283-000	BALANCER, wheel (20g)	(0~2)	
17	44607-283-000	BALANCER, wheel (15g)	(0~2)	
17	44608-283-000	BALANCER, wheel (10g)	(0~2)	
17	44609-283-000	BALANCER, wheel (5g)	(0~2)	
18	90125-323-000	BOLT, stud, 10x48	4	
19	90524-323-000	WASHER, tongued, 10 mm	4	
20	90753-283-000	OIL-SEAL, 34559	1	
21	91261-323-000	O-RING, 79x2.6	1	
22	91262-323-000	O-RING, 92x2	1	
23	94030-10000	NUT, Hex., 10 mm	4	
24	96140-63040-10	BEARING, ball, 6304U	1	
25	96140-63050-10	BEARING, ball, 6305U	1	

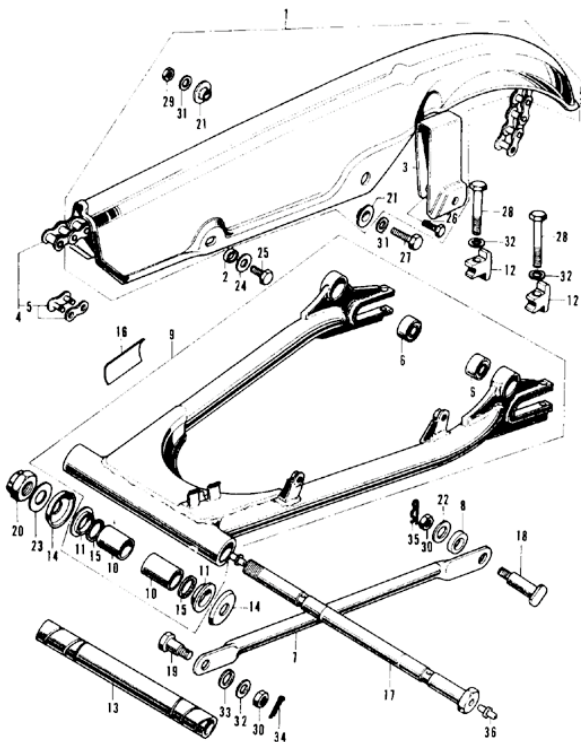
F-16 Rear Cushion



F-16 Rear Cushion

Ref. No.	Part No.	Description	Reqd. No., CR500	Remarks
1	50316-300-030	GRIP, side (Not used in U.S.A.)	1	
2	52400-323-010XW	CUSHION ASSY., rear (Chrome).....	2	
3	52401-323-000	SPRING, rear cushion	2	
4	52403-312-000	JOINT, upper	2	
5	52410-323-000	DAMPER COMP., rear	2	
6	52421-300-000XW	CASE, rear cushion upper (Chrome)	2	
7	52422-292-000	ADJUSTER, spring	2	
8	52424-331-000	STOPPER, spring seat.....	4	
9	52458-312-000	SEAT, under spring.....	2	
10	52459-312-000	SEAT, rear cushion spring.....	2	
11	52482-312-000	NUT, lock, 10 mm.....	2	
12	52484-292-000	RUBBER, joint	2	
13	52517-312-000	RUBBER, stopper	2	
14	90009-315-000	NUT, rear cushion upper	2	
15	90521-292-000	WASHER, 10.3 mm (Not used in U.S.A.)	1	
16	30000-10032-0A	BOLT, 10 x 32	2	

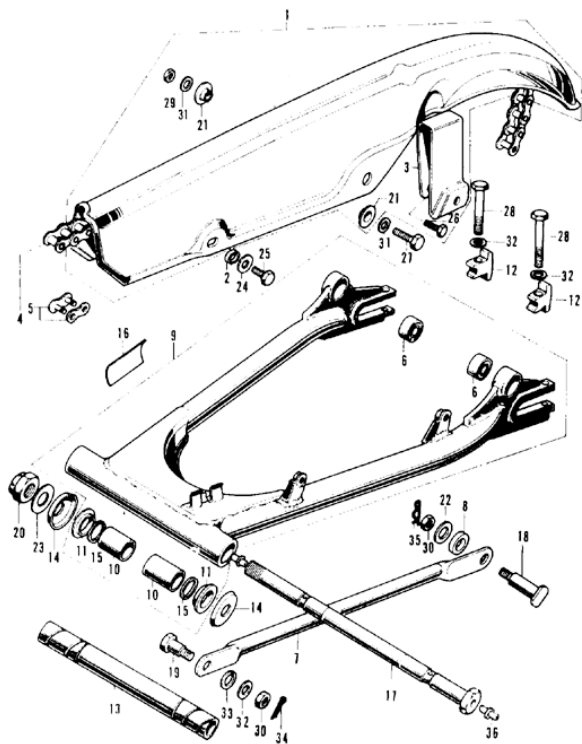
F-17 Chain Case - Rear Fork



F-17 Chain Case - Rear Fork

Ref. No.	Part No.	Description	Reqd. No. CB500	Remarks
1	40510-323-000B	CASE ASSY, drive chain (Black).....	1	
2	40511-300-000	COLLAR, chain case.....	1	
3	40512-300-000	PLATE, drive chain.....	1	
4	40530-323-295	CHAIN, drive (DID, 50HDS-98L, Stacking type)...	1	
5	40531-300-751	JOINT, drive chain.....	1	
6	40548-268-000	BUSH, rear cushion under rubber.....	2	
7	43431-312-000	ARM, rear brake stopper.....	1	
8	43434-286-000	RUBBER, stopper arm cushion.....	1	
9	52100-323-010B	FORK COMP, rear (Black).....	1	
10	52108-300-300	BUSH, rear fork pivot.....	2	
11	52109-283-300	BUSH, rear fork pivot thrust.....	2	
12	52136-300-000	STOPPER, chain adjuster.....	2	
13	52141-300-000	COLLAR, rear fork center.....	1	
14	52144-283-010	CAP, rear fork dust seal.....	2	
15	52145-283-000	RING, rear fork felt.....	2	
16	87504-028-670	MARK, muffler caution (Not used in England, General, Netherlands & Australia)	1	
17	90121-300-000	BOLT, rear fork pivot.....	1	
18	90127-323-000	BOLT, rear brake stopper arm.....	1	
19	90133-286-000	BOLT, rear stopper arm.....	1	
20	90354-268-000	NUT, self lock, 14 mm.....	1	
21	90512-300-000	WASHER, 6×20.....	3	
22	90524-030-000	WASHER A, handle holder setting.....	1	
23	90526-268-000	WASHER, rear fork pivot bolt.....	1	
24	90581-701-000	WASHER, 18 mm.....	1	
25	92000-06012	BOLT, hex, 6×12.....	1	

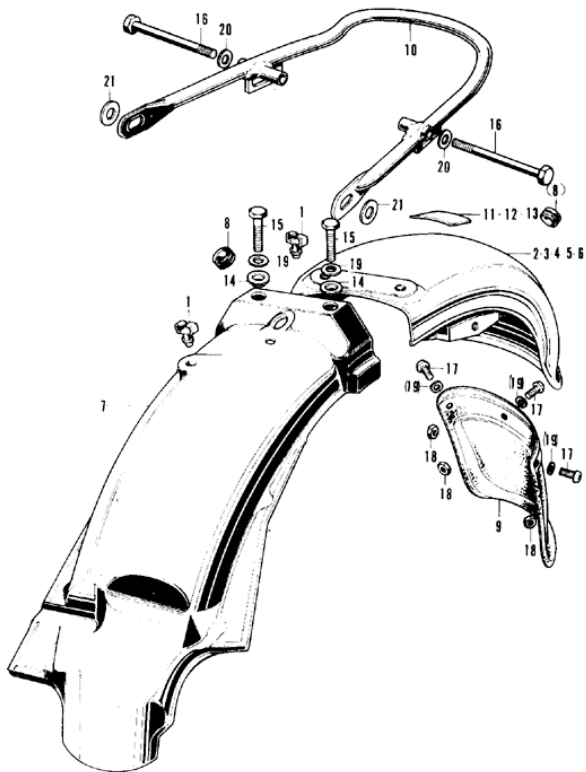
F-17 Chain Case - Rear Fork



F-17 Chain Case - Rear Fork

Ref. No.	Part No.	Description	Repl. No. CH500	Remarks
26	92000 06014	BOLT, hex., 6x14	1	
27	92000 06016	BOLT, hex., 6x16	1	
28	92000 08000 0A	BOLT, hex., 8x40	2	
29	94001 06000	NUT, hex., 6 mm	1	
30	94001 08000 0S	NUT, hex., 8 mm	2	
31	94101 06000	WASHER, plain, 6 mm	2	
32	94101 08000	WASHER, plain, 8 mm	3	
33	94111 10000	WASHER, spring, 10 mm	1	
34	94230 20180	PIN, split, 20x1.8	1	
35	94251 09000	PIN, lock, 8 mm	2	
36	96201 30001	NIPPLE, grease, 4.5 mm	2	

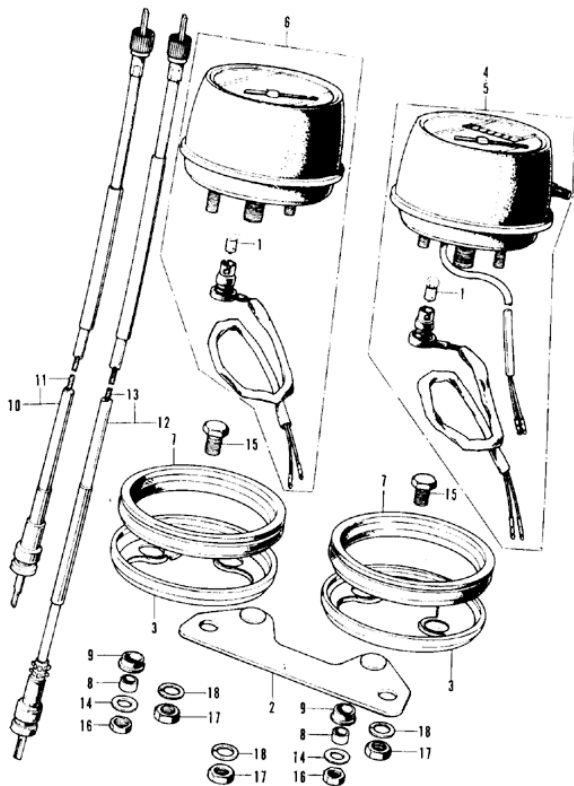
F-18 Rear Fender



F-18 Rear Fender

Ref. No.	Part No.	Description	Reqd. No. CR50	Remarks
1	32985-300-000	GROMMET, wire cord	2	
2	80100-323-610XW	FENDER A, rear (Chrome)	1	
		(Used in U.S.A., Australia & General)		
3	80100-323-600XW	FENDER A, rear (Chrome) (Used in England) ...	1	
4	80100-323-610XW	FENDER A, rear (Chrome) (Used in Germany)...	1	
5	80100-323-620XW	FENDER A, rear (Chrome) (Used in France)	1	
6	80100-323-630XW	FENDER A, rear (Chrome)	1	
		(Used in Netherlands & E.D.)		
7	80103-323-000	FENDER B, ASSY, rear	1	
8	80102-323-000	GROMMET, wire cord	1	
(8)		Used in England & Germany	1	
9	80121-300-730	MUDGUARD, rear fender	1	
		(Used in Netherlands & E.D.)		
10	84101-323-670	BUMPER, rear (Used in U.S.A.)	1	
11	87507-323-620	MARK, tire caution	1	
		(Used in France, England, Germany, Netherlands & E.D.)		
12	87507-323-650	MARK, tire caution (Used in General & Australia)	1	
13	87507-323-670	MARK, tire caution (Used in U.S.A.)	1	
14	90613-323-000	WASHER, 6x9	2	
15	92000-06028	BOLT, hex., 6x28	2	
16	92000-08060 018	BOLT, hex., 8x80 (Used in U.S.A.)	2	
17	93500-06016-49	SCREW, pan, 6x16 (Used in Netherlands & E.D.)	3	
18	94001-06000	NUT, hex., 6mm (Used in Netherlands & E.D.)...	3	
19	94101-06000	WASHER, plain, 6mm	2	
(19)		(Used in Netherlands & E.D.)	(3)	
20	94101-08200	WASHER, plain, 8mm (Used in U.S.A.)	2	
21	94101-10200	WASHER, plain, 10mm (Used in U.S.A.)	2	

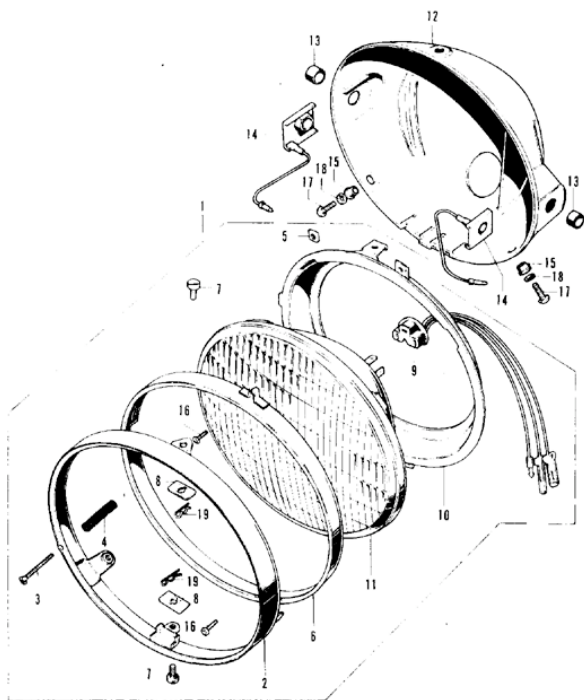
F-19 Speedometer - Tachometer



F-19 Speedometer - Tachometer

Ref. No.	Part No.	Description	Reqd. No. (CR90)	Remarks
1	34902-250-000	BULB, dash (12V 3W)	2	
2	37211-323-000	PLATE, meter set	1	
3	37212-307-670	KING, right meter set	2	
4	37240-323-671	SPEEDOMETER ASSY. (Used in U.S.A., England & Australia)	1	
5	37240-323-620	SPEEDOMETER ASSY. (Used in France, Germany, General, Netherlands & E.E.C.)	1	
6	37240-323-008	TACHOMETER ASSY.	1	
7	37242-319-000	CUSHION, meter	2	
8	37243-323-000	COLLAR, meter set	4	
9	37244-307-670	RUBBER, meter set	4	
10	37260-300-000	CABLE ASSY., tachometer	1	
11	37261-300-000	CABLE, tachometer inner	1	
12	44830-323-000	CABLE ASSY., speedometer	1	
13	44831-323-000	CABLE, speedometer inner	1	
14	90545-292-000	WASHER, 6.5 x 20	2	
15	92000-08016-0A	BOLT, hex., 8 x 16	2	
16	94001-06000	NUT, hex., 6 mm	4	
17	94001-08000-0S	NUT, hex., 8 mm	4	
18	94111-08000	WASHER, spring, 8 mm	4	

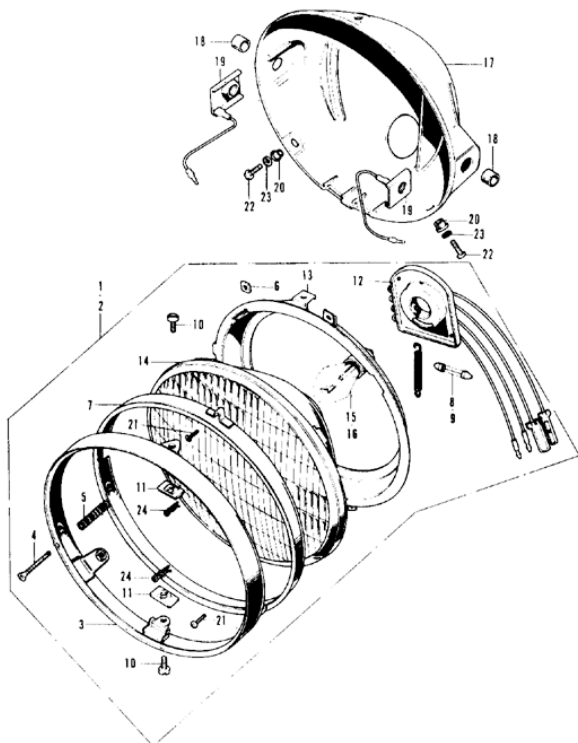
F-20 Head Light - Case
(Used in U.S.A.)



F-20 Head Light - Case
(Used in U.S.A.)

Ref. No.	Part No.	Description	Repl. No. CR500	Remarks
1	3300-300-673	LIGHT ASSY., head (STANLEY 12V 50/40W) ...	1	
2	3301-300-673	RIM, head light (STANLEY).....	1	
3	3302-300-003	SCREW, beam adjusting (STANLEY).....	1	
4	3302-300-003	SPRING, beam adjusting (STANLEY).....	1	
5	3317-292-003	NUT, beam adjusting (STANLEY).....	1	
6	3321-300-672	RING, retaining (STANLEY).....	1	
7	3323-292-670	SCREW, unit holder.....	2	
8	3328-292-670	NUT, unit holder.....	2	
9	3336-300-003	SOCKET COMP., head light cord (STANLEY) ...	1	
10	3353-300-671	RING, mounting (STANLEY).....	1	
11	33321-505-003	UNIT, sealed beam (STANLEY).....	1	
12	61301-300-010B	CASE, head light (Black).....	1	
13	61302-300-000	COLLAR, head light case.....	2	
14	61303-292-000	WASHER, head light setting.....	2	
15	61304-292-000	COLLAR, head light setting.....	3	
16	93500-03010-0B	SCREW, pan, 3 x 10.....	2	
17	93500-05016-0B	SCREW, pan, 5 x 16.....	3	
18	94111-05000	WASHER, spring, 5 mm.....	3	
19	94251-05000	PIN, lock, 5 mm.....	2	

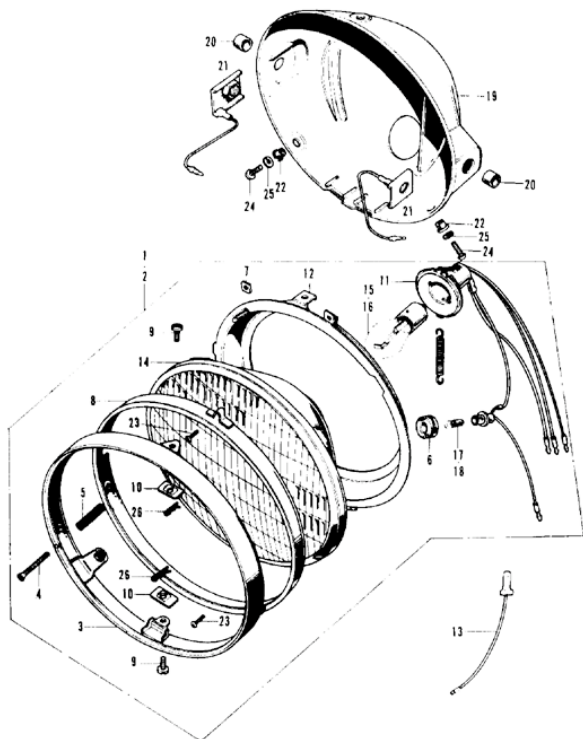
F-21 Head Light - Case
(Used in France & Netherlands)



F-21 Head Light - Case
(Used in France & Netherlands)

Ref. No.	Part No.	Description	Reqd. No. CR500	Remarks
1	30100-300-621	LIGHT ASSY., head (12V - 36/45W) (Used in France)	1	
2	30100-300-600	LIGHT ASSY., head (12V - 36/36W) (Used in Netherlands)	1	
3	30101-300-673	RIM, head light	1	
4	30103-300-003	SCREW, beam adjusting	1	
5	30107-300-003	SPRING, beam adjusting	1	
6	30117-292-003	NUT, beam adjusting	1	
7	30121-300-672	RING, retaining	1	
8	30123-508-740	BULB, marker light (12V - 4W) (Used in Netherlands)	1	
9		BULB, marker light (12V - 4W) (To be locally purchased in France)	1	
10	30125-292-670	SCREW, unit holder	2	
11	30128-292-670	NUT, unit holder	2	
12	30130-300-621	SOCKET, head light cord	1	
13	30153-300-622	RING, mounting	1	
14	30321-503-621	UNIT, head light	1	
15	30322-503-721	BULB, head light (12V - 36/36W) (Used in Netherlands)	1	
16		BULB, head light (12V - 36/45W) (To be locally purchased in France)	1	
17	61301-300-010B	CASE, head light (Black)	1	
18	61302-300-000	COLLAR, head light case	2	
19	61303-292-000	WASHER, head light setting	2	
20	61304-292-000	COLLAR, head light setting	3	
21	93500-03010-0B	SCREW, pan, 3x10	2	
22	93500-05016-0B	SCREW, pan, 5x16	3	
23	94111-05000	WASHER, spring, 5mm	3	
24	94251-05000	PIN, lock, 5mm	2	

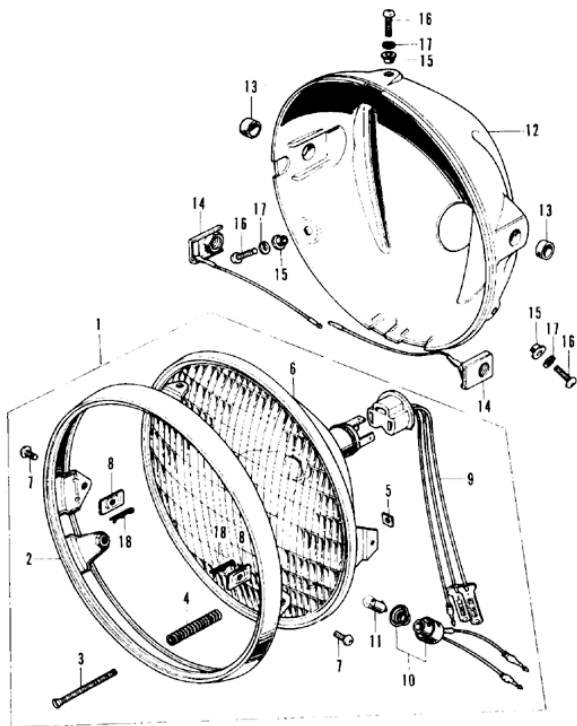
F-22 Head Light - Case
(Used In England, Germany & E.D.)



F-22 Head Light - Case
(Used in England, Germany & E.D.)

Ref. No.	Part No.	Description	Reqd. No. (CB50)	Remarks
1	33100-300-600	LIGHT ASSY., head (12V + 35/35W 4W) (Used in England)	1	
2	33100-300-610	LIGHT ASSY., head (12V + 35/35W 4W) (Used in Germany & E.D.)	1	
3	33101-300-673	RM, head light	1	
4	33103-300-003	SCREW, beam adjusting (STANLEY)	1	
5	33107-300-003	SPRING, beam adjusting (STANLEY)	1	
6	33108-568-610	RUBBER, joint	1	
7	33117-292-003	NUT, beam adjusting (STANLEY)	1	
8	33121-300-672	RING, retaining	1	
9	33125-292-670	SCREW, unit holder	2	
10	33128-292-670	NUT, unit holder	2	
11	33130-300-611	SOCKET COMP., head light & marker light	1	
12	33131-300-622	RING, mounting	1	
13	33175-323-600	CORD, head light sub	1	
14	33321-533-611	UNIT, head light	1	
15	34901-259-611	BULB, head light (12V + 35, 35W) (Used in England)	1	
16		BULB, head light (12V + 35, 35W) (To be locally purchased in Germany & E.D.)	1	
17	34902-259-610	BULB, marker light (12V + 4W) (Used in England)	1	
18		BULB, marker light (12V + 4W) (To be locally purchased in Germany & E.D.)	1	
19	61301-300-010B	CASE, head light (Black)	1	
20	61302-300-000	COLLAR, head light case	2	
21	61303-292-000	WASHER, head light setting	2	
22	61304-292-000	COLLAR, head light setting	3	
23	93500-03010-0B	SCREW, pan, 3x10	2	
24	93500-05016-0B	SCREW, pan, 5x16	3	
25	94111-05000	WASHER, spring, 5 mm	3	
26	94251-05000	PIN, lock, 5 mm	2	

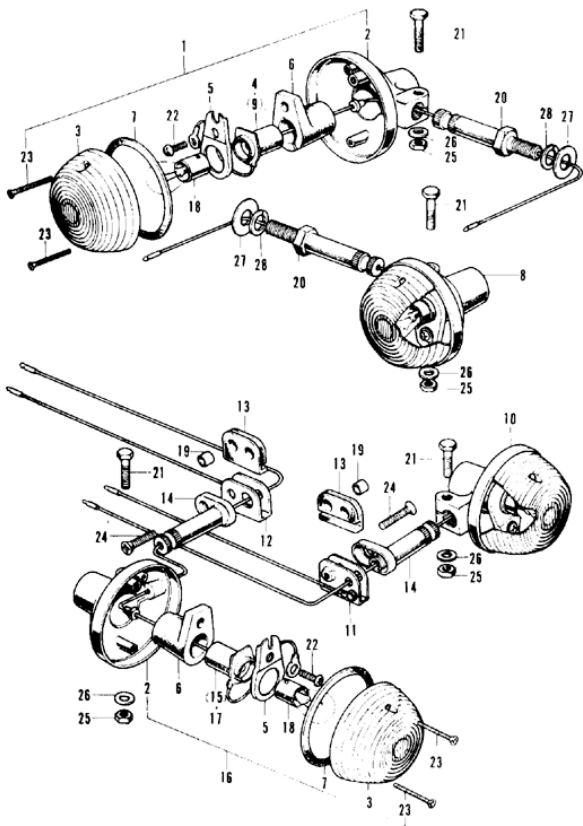
F-23 Head Light - Case
(Used in General & Australia)



F-23 Head Light - Case
(Used in General & Australia)

Ref. No.	Part No.	Description	Reqd. No. CB500	Remarks
1	33100-323-003	LIGHT ASSY., head (12V - 50-40W) (STANLEY)	1	
2	33101-300-043	KIM, head light	1	
3	33103-300-003	SCREW, beam adjusting	1	
4	33107-300-003	SPRING, beam adjusting	1	
5	53117-292-003	NUT, beam adjusting	1	
6	33120-323-003	UNIT, head light	1	
7	33125-487-761	SCREW, unit holder	2	
8	33128-200-000	NUT, unit holder	2	
9	33130-323-003	SOCKET COMP., head light	1	
10	33170-323-003	SOCKET COMP., marker light	1	
11	34903-071-003	BULB, marker light (12V - 3W)	1	
12	61301-300-010B	CASE, head light (Black)	1	
13	61302-300-000	COLLAR, head light case	2	
14	61303-292-000	WASHER, head light case	2	
15	61304-292-000	COLLAR, head light setting	3	
16	90500-05016-01B	SCREW, pan, 5x16	3	
17	94111-05000	WASHER, spring, 5mm	3	
18	94251-05000	PIN, lock, 5mm	2	

F-24 Winker
(Used in U.S.A.)

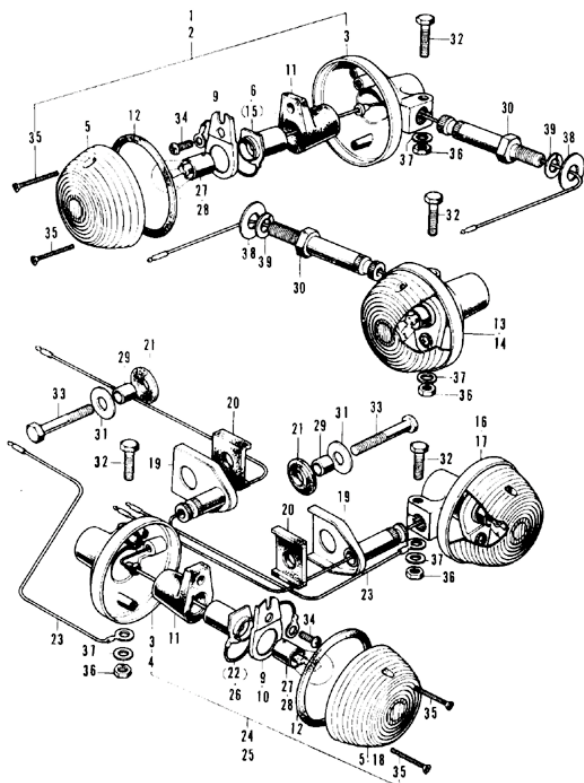


F-24 Winker
(Used in U.S.A.)

Ref. No.	Part No.	Description	Reql. No. (EACH)	Remarks
1	33400-292-670	WINKER ASSY., right (12V • 25W)	1	
2	33401-292-003	BASE, winker	4	
3	33402-298-671	LENS, winker	4	
4	33402-292-003	SOCKET COMP., right winker	1	
5	33407-284-000	HOLDER, winker socket	4	
6	33408-284-000	CUSHION, winker rubber	4	
7	33443-298-671	PACKING, winker lens	4	
8	33450-292-670	WINKER ASSY., left (12V • 25W)	1	
9	33453-292-003	SOCKET COMP., left winker	1	
10	33980-300-000	WINKER ASSY., right rear winker (12V • 25W)	1	
11	33904-323-670	STOPPER, right rear winker	1	
12	33905-323-670	STOPPER, left rear winker	1	
13	33906-074-010	RUBBER, rear winker mount	2	
14	33907-323-670	STAY, rear winker	2	
15	33940-300-000	SOCKET COMP., right rear winker (12V • 25W)	1	
16	33950-300-000	WINKER ASSY., left rear (12V • 25W)	1	
17	33960-300-000	SOCKET COMP., left rear winker	1	
18	34805-288-671	BULB, winker (12V • 25W)	4	
19	80108-063-000	COLLAR A, rear fender	2	
20	90154-288-670	BOLT, light case set	2	
21	93000-06028-02	BOLT, hex., 6×28	4	
22	93500-05008-0A	SCREW, pan, 5×8	4	
23	93700-00025-3B	SCREW, oval, 3×25	8	
24	93700-06025-02	SCREW, oval, 6×25	2	
25	94001-06000	NUT, hex., 6mm	4	
26	94101-06000	WASHER, plain, 6mm	4	
27	94101-10000	WASHER, plain, 10 mm	2	
28	94111-10000	WASHER, spring, 10 mm	2	

F-25 Winker

(Used in England, France, Australia, General, Netherlands & E.D.)



F-25 Winker

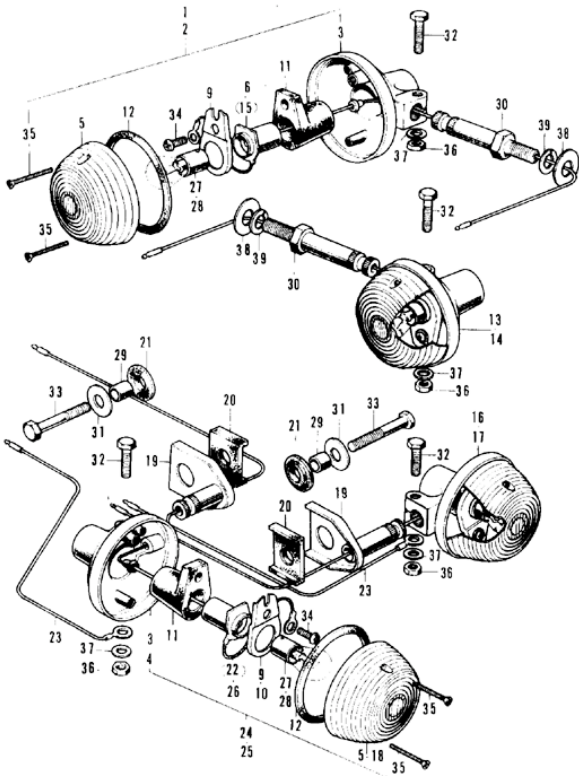
(Used in England, France, Australia, General, Netherlands & E.D.)

Ref. No.	Part No.	Description	Reqd. No. CB500	Remarks
1	33400 292 670	WINKER ASSY., right (12V - 25W) (Used in England, France, Australia & General)	1	
2	33400 317 730	WINKER ASSY., right (Used in Netherlands & E.D.)	1	
3	33401-292-003	BASE, winker (STANLEY)	4	
4	33401 298 671	BASE, winker (Used in Netherlands & E.D.)	2	
5	33402 268 671	LENS, winker	4	
6	33402 292 003	SOCKET COMP., right winker	1	
7	33405 268 671	CUSHION, winker rubber (Used in Netherlands & E.D.)	2	
8	33406 268 671	PACKING, winker lens (Used in Netherlands & E.D.)	2	
9	33407 284 000	HOLDER, winker socket	4	
10	33407 268 671	HOLDER, winker, socket (Used in Netherlands & E.D.)	2	
11	33408 284 000	CUSHION, winker rubber	4	
12	33413 268 671	PACKING, winker lens	4	
13	33450 292 670	WINKER ASSY., left (12V - 25W) (Used in England, France, Australia & General)	1	
14	33450 317 730	WINKER ASSY., left (Used in Netherlands & E.D.)	1	
15	33453 292 003	SOCKET COMP., left winker	1	
16	33600 300 000	WINKER ASSY., right rear (12V - 25W) (Used in England, France, Australia & General)	1	
17	33600 323 631	WINKER ASSY., right rear (12V - 18W) (Used in Netherlands & E.D.)	1	
18	33602 323 631	LENS, rear winker (Used in Netherlands & E.D.)	2	
19	33607 292 000B	STAY, rear winker (Black)	2	
20	33608 296 000	RUBBER B, rear winker mount	2	
21	33608 300 000	RUBBER, rear winker mount	2	
22	33610 300 000	SOCKET COMP., right rear winker (Used in England, France, Australia, General, Netherlands & E.D.)	1	
23	33620 300 000	CORD, rear winker earth	2	
24	33650 300 000	WINKER ASSY., left rear (12V - 25W) (Used in England, France, Australia & General)	1	
25	33650 323 631	WINKER ASSY., left rear (Used in Netherlands & E.D.)	1	



F-25 Winker

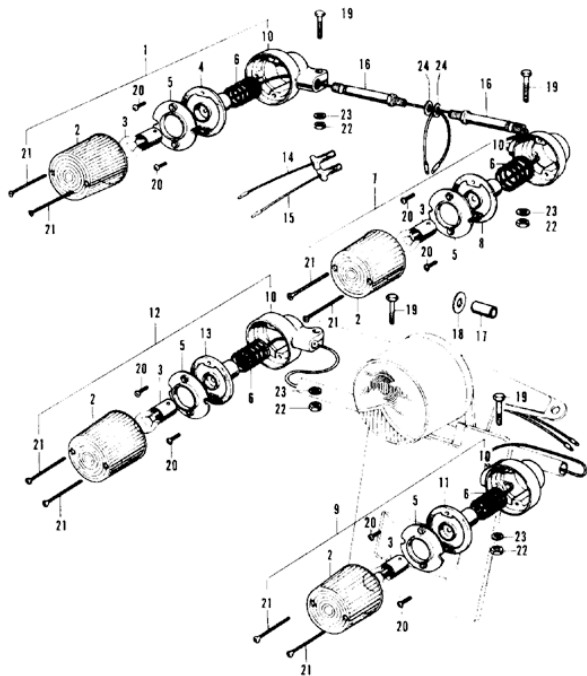
(Used in England, France, Australia, General, Netherlands & S.D.)



F-25 Winker**(Used in England, France, Australia, General, Netherlands & E.D.)**

Ref. No.	Part No.	Description	Reqd. No. CB500	Remarks
26	31940-300-000	SOCKET COMP., left rear winker (Used in England, France, Australia, General, Netherlands & E.D.)	1	
27	31905-268-671	BULB, winker (12V - 25W) (Used in England, France, Australia & General)	1	
28	31905-271-611	BULB, winker (12V - 18W) (Used in Netherlands & E.D.)	1	
29	90324-300-000	COLLAR, 8 mm	2	
30	90154-268-670	BOLT, light case set	2	
31	90428-844-650	WASHER, 8 mm	2	
32	90000-06028-02	BOLT, hex, 6x28	4	
33	93100-08040-0B	BOLT, hex, 8x40	2	
34	90500-05008-0A	SCREW, pan, 3x8	4	
35	93700-43025-3B	SCREW, pan, 3x25	8	
36	94101-06000	NUT, hex., 6 mm	4	
37	94101-06000	WASHER, plain, 6 mm	4	
38	94101-10000	WASHER, plain, 10 mm	2	
39	94111-10000	WASHER, spring, 10 mm	2	

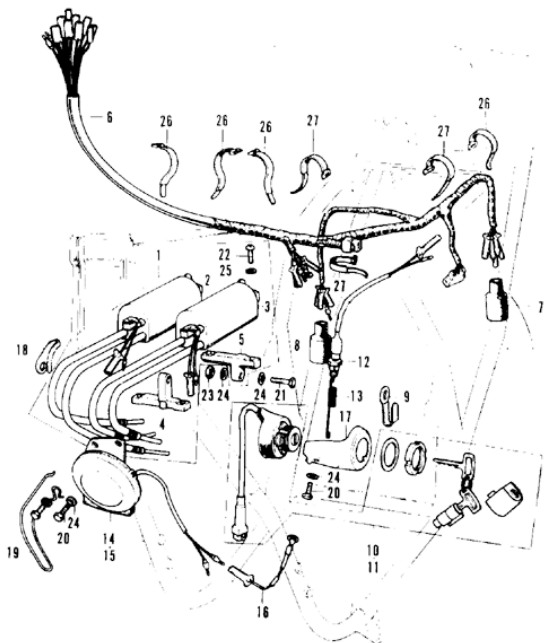
F-26 Winker
(Used In Germany)



F-26 Winker
(Used in Germany)

Ref. No.	Part No.	Description	Repl. No. (CB30)	Remarks
1	33400-292-611	WINKER ASSY., right front	1	
2	33402-298-610	LENS, winker	1	
3		BULB, winker (12V - 18W) (To be locally purchased in Germany)	1	
4	33410-292-610	SOCKET ASSY., right front winker	1	
5	33411-285-000	RING	1	
6	33413-285-000	SPRING, coil	4	
7	33450-292-611	WINKER ASSY., left front	1	
8	33460-292-610	SOCKET ASSY., left front winker	1	
9	33900-300-610	WINKER ASSY., right rear	1	
10	33905-292-610	BASE, winker	4	
11	33910-300-610	SOCKET ASSY., right rear winker	1	
12	33950-300-610	WINKER ASSY., left rear	1	
13	33960-300-610	SOCKET ASSY., left rear winker	1	
14	33714-300-610	SUB CORD, right winker light	1	
15	33715-300-610	SUB CORD, left winker light	1	
16	90154-292-610	BOLT, light case set	2	
17	90324-300-000	COLLAR, 8 mm	2	
18	90428-844-650	WASHER, 8 mm	1	
19	93000-09028-02	BOLT, hex., 6 x 28	4	
20	93500-03010-0A	SCREW, pan, 3 x 10	8	
21	93700-03950-0B	SCREW, oval, 3 x 50	8	
22	94001-06020	NUT, hex., 6 mm	4	
23	94101-06000	WASHER, plain, 6 mm	4	
24	94101-10200	WASHER, plain, 10 mm	2	

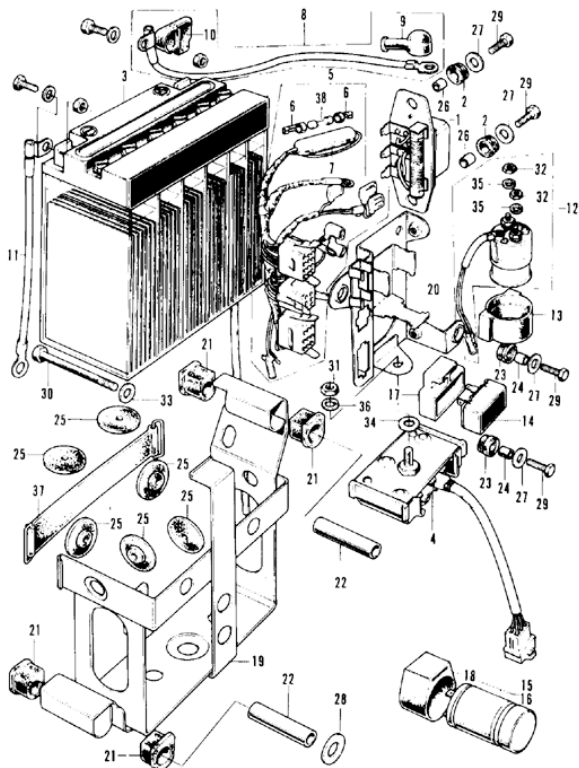
F-27 Wire Harness



F-27 Wire Harness

Ref. No.	Part No.	Description	Reqd. No. CB500	Remarks
1	30600-323-023	COIL ASSY., ignition	1	
2	30601-323-003	COIL, right ignition	1	
3	30602-323-003	COIL, left ignition	1	
4	30511-300-000	BRACKET A, ignition coil	1	
5	30512-323-000	BRACKET B, ignition coil	1	
6	32100-323-020	HARNESSES, wire	1	
7	32108-016-750	COVER, wire harness connector	1	
8	32108-323-300	COVER, connector	1	
9	32171-323-000	CLIP, wire harness	1	
10	35020-323-003	SWITCH KID, combination (Used in U.S.A., England, France, Australia & General)	1	
11	35020-323-611	SWITCH SET, combination (Used in Germany, Netherlands & E.D.)	1	
12	35350-292-003	SWITCH ASSY., stop	1	
13	35357-011-000	SPRING, stop switch	1	
14	38100-300-023	HORN ASSY. (Not used in France)	1	
15	38100-300-021	HORN ASSY. (Used in France)	1	
16	38105-323-000	CORD, horn earth (Not used in U.S.A. & France)	1	
17	50375-323-020	BRACKET, main switch	1	
18	50400-323-000	PROTECTOR, ignition coil wire	1	
19	50462-323-000	CLAMP, tachometer cable	1	
20	92000-06012	BOLT, hex., 6x12	3	
21	92000-06025	BOLT, hex., 6x25	2	
22	93500-05020-0A	SCREW, pan, 5x20	4	
23	94001-06000	NUT, hex., 6 mm	2	
24	94101-06000	WASHER, plain, 6 mm	5	
25	94111-06000	WASHER, spring, 5 mm	4	
26	95014-61100	BAND A1, wire	6	
27	95014-61200	BAND A2, wire	3	

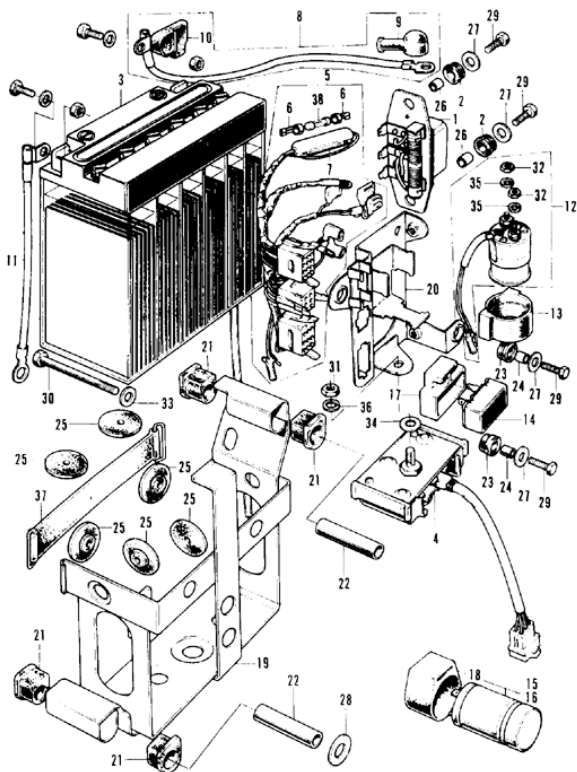
F-28 Battery · Electric



F-28 Battery · Electric

Ref. No.	Part No.	Description	Reqd. No. CBS00	Remarks
1	31400-300-015	REGULATOR ASSY.	1	
2	31403-323-000	CUSHION, regulator.....	2	
3	31500-310-671	BATTERY ASSY. (12V · 12AH)	1	
4	31700-323-005	RECTIFIER ASSY., silicon	1	
5	32105-323-010	HARNES, sub wire.....	1	
6	32112-230-000	CONNECTOR, fuse	2	
7	32120-323-000	CASE, fuse 15A	1	
8	32401-323-000	CABLE, battery starter.....	1	
9	32411-253-000	COVER, starting motor terminal	1	
10	32412-323-000	COVER, battery terminal.....	1	
11	32601-323-000	CABLE, battery earth	1	
12	35850-306-697	(Superseded by 35850-306-670)		
	35850-306-670	SWITCH ASSY., starter magnetic	1	
13	35856-323-000	SUSPENSION, magnetic switch	1	
14	38300-292-670	RELAY ASSY., winker (Used in U.S.A.)	1	
		(To be locally purchased in U.S.A.)		
15	38300-323-000	RELAY ASSY., winker	1	
		(Used in England, France, Australia & General)		
16	38300-323-610	RELAY ASSY., winker	1	
		(Used in Germany, Netherlands & E.D.)		
17	38306-107-670	SUSPENSION, winker relay (Used in U.S.A.).....	1	
18	38306-323-000	SUSPENSION, winker relay (Not Used in U.S.A.)	1	
19	50325-323-040	BOX, battery	1	
20	50330-323-010	PLATE, electric	1	

F-28 Battery · Electric



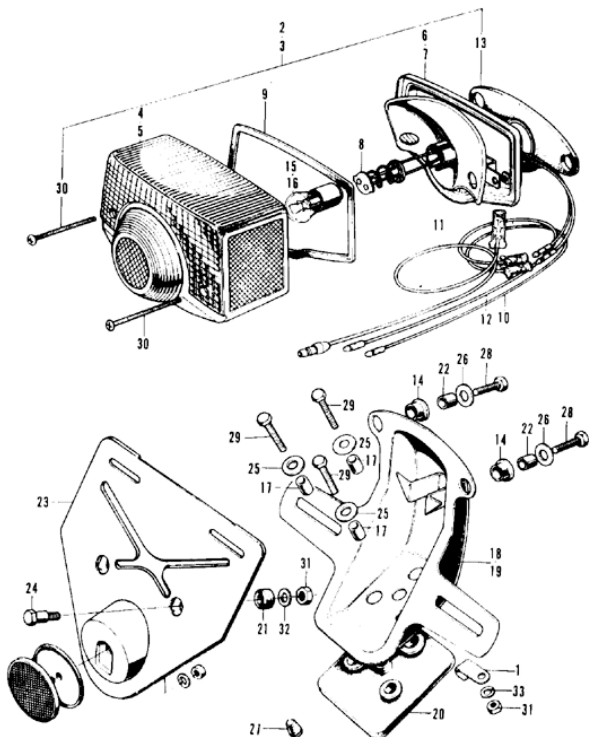
F-28 Battery - Electric

Ref. No.	Part No.	Description	Reqd. No. (CBS#)	Remarks
21	50331-323-000	CUSHION, battery box	4	
22	50332-323-000	COLLAR, battery box	2	
23	80105-061-000	CUSHION A, rear fender	2	
24	80108-061-000	COLLAR A, rear fender	2	
25	83018-323-000	RUBBER, battery box	6	
26	84706-286-000	COLLAR, number bracket	2	
27	90581-701-000	WASHER, 18 mm	4	
28	90582-703-000	WASHER, 8 mm	1	
29	92000-09020	BOLT, hex., 6 x 20	4	
30	92000-09065-0A	BOLT, hex., 8 x 65	1	
31	94001-06000-0S	NUT, hex., 8 mm	1	
32	94002-06300	NUT, hex., 6 mm	2	
33	94101-08000	WASHER, plain, 8 mm	1	
34	94102-08000	WASHER, plain, 8 mm	1	
35	94111-08000	WASHER, spring, 6 mm	2	
36	94111-08000	WASHER, spring, 8 mm	1	
37	95012-07600	BAND A, battery	1	
38	98200-11500	FUSE (15A)	1	



F-29 Tail Light

(Used in U.S.A., France, Australia, Netherlands, General & E.D.)



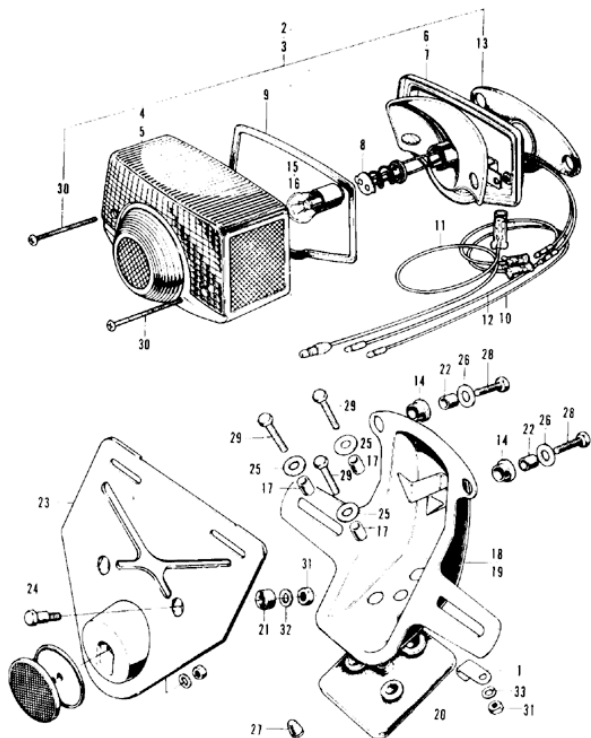
F-29 Tail Light

(Used in U.S.A., France, Australia, Netherlands, General & E.D.)

Ref. No.	Part No.	Description	Reqd. No. CB500	Remarks
1	32111-321-000	CLAMPER, cord	1	
2	33701-300-671	UNIT, tail light	1	
3	33701-323-610	UNIT, tail light (Used in Netherlands & E.D.)	1	
4	33702-077-671	LENS, tail light	1	
5	33702-323-631	LENS, tail light (Used in Netherlands & E.D.)	1	
6	33703-077-671	BASE COMP., tail light	1	
7	33703-303-063	BASE COMP., tail light (Used in Netherlands & E.D.)	1	
8	33708-077-671	CORID COMP., tail light	1	
9	33709-077-671	PACKING, tail light lens	1	
10	33711-300-000	CORID, tail light sub.	1	
11	33712-300-003	CORID, tail light corch (STANLEY)	1	
12	33713-300-000	CORID, stop light sub.	1	
13	33718-077-671	PACKING A, tail light base	1	
14	33719-077-671	PACKING B, tail light	2	
15	34906-268-810	BULB, tail & stop light (12V * 23.7W)	1	
16	34906-294-002	BULB, tail & stop light (12V * 25.5W) (Used in Netherlands & E.D.)	1	
17	80108-061-000	COLLAR A, rear fender	3	
18	84701-300-020NW	BRACKET, number plate (Chrome)	1	
		(Used in France, Netherlands & E.D.)		
19	84701-300-072NW	BRACKET, number plate (Chrome)	1	
		(Used in U.S.A., Australia & General)		
20	84702-300-010	SEAT, number bracket	1	

F-29 Tail Light

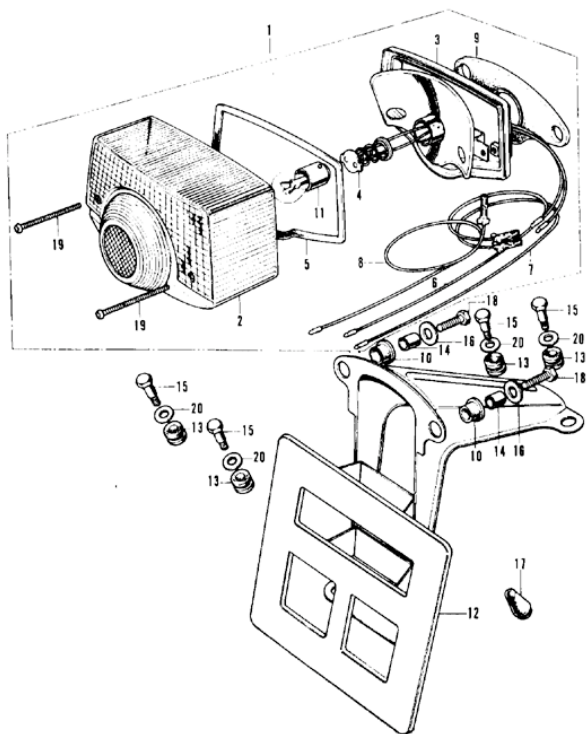
(Used in U.S.A., France, Australia, Netherlands, General & E.D.)



F-29 Tail Light**(Used in U.S.A., France, Australia, Netherlands, General & S.D.)**

Ref. No.	Part No.	Description	Reqd. No. C1500	Remarks
21	84706-300-620	RUBBER, number plate setting (Used in France)	2	
22	84706-390-000	COLLAR, number bracket	2	
23	84710-300-620	PLATE, number plate back (Used in France)	1	
24	90162-292-670	BOLT, front fender setting (Used in France)	2	
25	90581-701-000	WASHER, 18 mm	3	
26	90581-831-650	WASHER, 18 mm	2	
27	90809-283-000	PLUG, cone	1	
28	92900-05020-045	BOLT, hex, 5 x 20	2	
29	92900-06020	BOLT, hex, 6 x 20	3	
30	93500-01050-4J	SCREW, pan, 4 x 50	2	
31	94001-06000	NUT, hex, 6 mm	2	
32	94101-06000	WASHER, plain, 6 mm (Used in France)	2	
33	94111-06000	WASHER, spring, 6 mm	1	

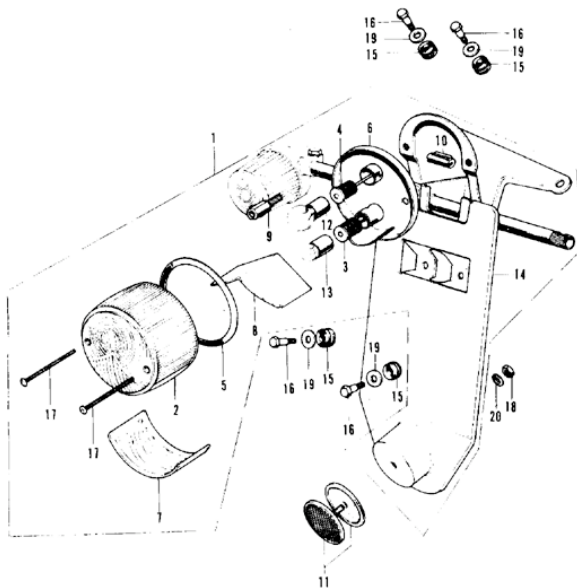
F-30 Tail Light
(Used in England)



F-30 Tail Light
(Used in England)

Ref. No.	Part No.	Description	Repl. No. CB500	Remarks
1	33701 323 602	UNIT, tail light	1	
2	33702 323 602	LENS, tail light	1	
3	33703 077 671	BASE COMP., tail light	1	
4	33708 077 671	CORD COMP., tail light	1	
5	33709 077 671	PACKING, tail light lens	1	
6	33711 000 000	CORD, tail light sub	1	
7	33712 000 003	CORD, tail light earth (STANLEY)	1	
8	33713 000 000	CORD, stop light sub	1	
9	33718 077 671	PACKING A, tail light base	1	
10	33719 077 671	PACKING B, tail light base	2	
11	34906 291 602	BULB, tail & stop light (12V x 21,5W)	1	
12	81701 213 000B	BRACKET, number plate	1	
13	84705 292 000	RUBBER, number plate bracket	1	
14	81706 286 000	COLLAR, number bracket	2	
15	90162 292 000	BOLT, from fender setting	1	
16	90581 831 650	WASHER, 18 mm	2	
17	90890 323 610	PLUG, con	1	
18	92000 05020 0B	BOLT, hex., 5 x 20	2	
19	93500 04045 0B	SCREW, pan, 4 x 45	2	
20	94101 48200	WASHER, plain, 8 mm	4	

F-31 Tail Light
(Used in Germany)

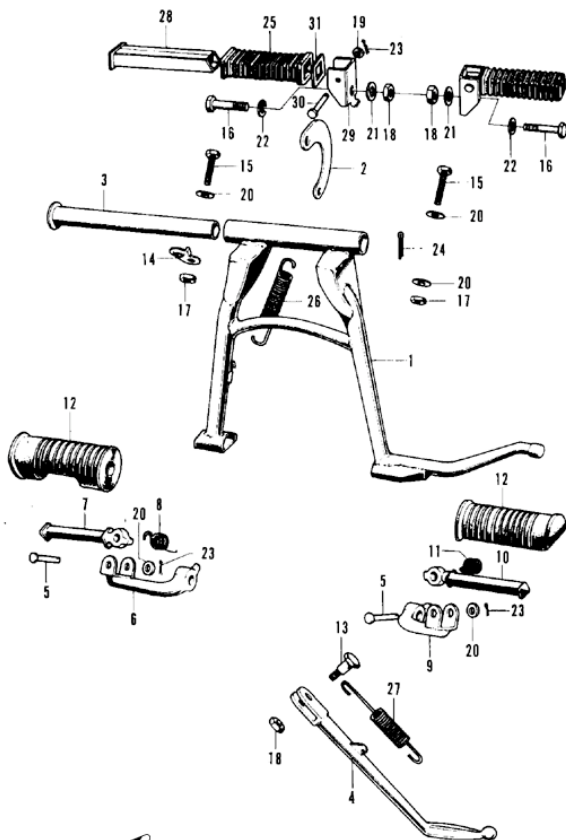


F-31 Tail Light
(Used in Germany)

Ref. No.	Part No.	Description	Repl. No. CR500	Remarks
1	33700-023-610	LIGHT ASSY., tail	1	
2	33701-051-000	LENS, tail & stop light	1	
3	33707-300-610	CORD, tail light	1	
4	33708-300-610	CORD, stop light	1	
5	33709-051-000	PACKING, tail light	1	
6	33710-300-610	SOCKET COMP., tail light	1	
7	33713-051-000	LENS, license	1	
8	33716-051-000	PLATE, inter ception	1	
9	33717-292-610	BOLT, tail light setting	2	
10	33721-023-610	GROMMET, rear winker cord	1	
11	33731-292-610	REFLECTOR ASSY., reflex	1	
12		BULB, stop (12V - 18W) (To be locally purchased in Germany)	1	
13		BULB, tail light (12V - 5W) (To be locally purchased in Germany)	1	
14	84701-323-610B	BRACKET, number plate (Black)	1	
15	84705-292-000	RUBBER, number plate bracket cushion	4	
16	90162-292-000	BOLT, front fender setting	4	
17	93500-03045-01B	SCREW, pan, 3 x 45	2	
18	91001-05000-0S	NUT, hex., 5 mm	1	
19	91101-08200	WASHER, plain, 8 mm	4	
20	91101-05000	WASHER, plain, 5 mm	1	



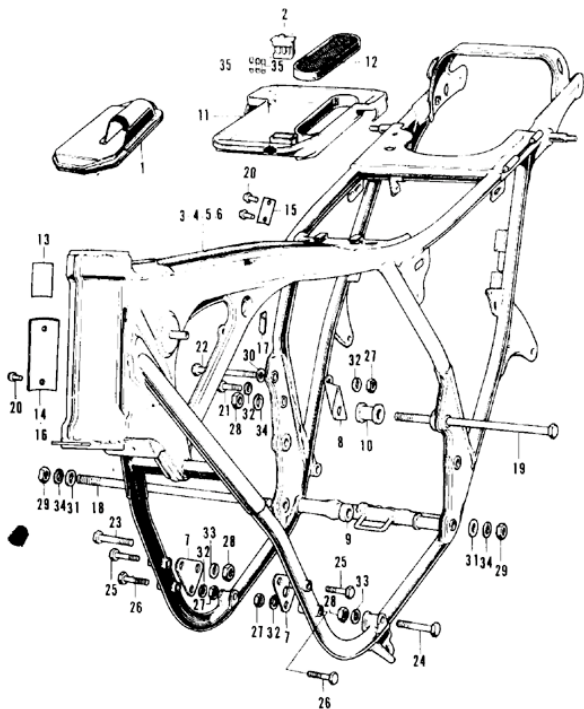
F-32 Main Stand - Step



F-32 Main Stand - Step

Ref. No.	Part No.	Description	Reqd. No. CH500	Remarks
1	50500-323-000B	STAND COMP., main (Black)	1	
2	50523-300-010	PLATE, main stand spring	1	
3	50526-300-000	PIPE, main stand pivot	1	
4	50530-323-000B	BAR, side stand (Black)	1	
5	50603-033-000	PIN, step bar joint	2	
6	50615-323-670B	BAR COMP., right step (Black)	1	
7	50616-323-670B	ARM COMP., right step (Black)	1	
8	50617-283-000	SPRING, right step return	1	
9	50641-323-670B	BAR COMP., left step (Black)	1	
10	50642-323-670B	ARM COMP., left step (Black)	1	
11	50644-283-000	SPRING, left step return	1	
12	50661-310-000	RUBBER, step	2	
13	90108-283-000	SCREW, side stand stopper	1	
14	90514-323-000	WASHER, battery breather guide	1	
15	92000-08010-0A	BOLT, hex., 8x10	2	
16	92000-10035-0A	BOLT, hex., 10x35	2	
17	94001-08000-0S	NUT, hex., 8 mm	2	
18	94001-10000-0S	NUT, hex., 10 mm	3	
19	94101-06000	WASHER, plain, 6 mm	2	
20	94101-08000	WASHER, plain, 8 mm	5	
21	94101-10000	WASHER, plain, 10 mm	2	
22	94111-10000	WASHER, spring, 10 mm	2	
23	94301-16150	PIN, split, 1.6x15	4	
24	94301-25250	PIN, split, 2.5x25	1	
25	95011-31000	RUBBER, pillion step	2	
26	95014-71700	SPRING G, main stand	1	
27	95014-72400	SPRING D, side stand	1	
28	95015-62000	BAR B, pillion step	2	
29	95015-72100	BRACKET B, pillion step	2	
30	95015-83000	PIN B, pillion step	2	
31	95015-91000	WASHER, pillion step	2	

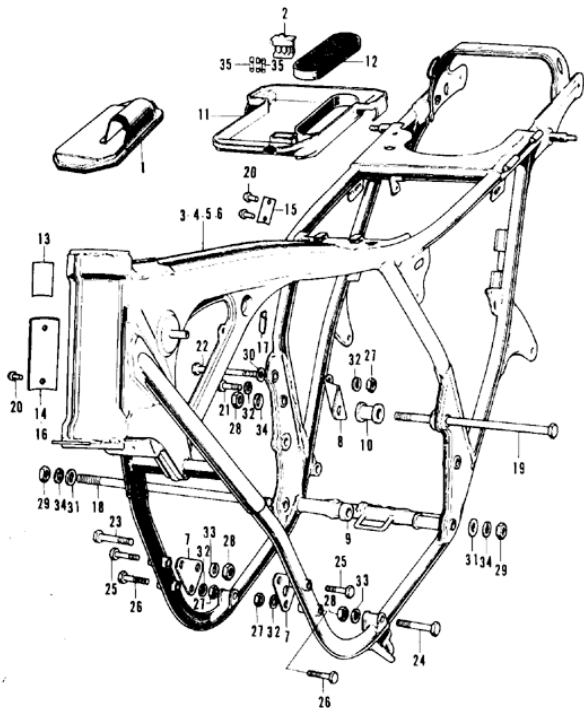
F-33 Frame Body



F-33 Frame Body

Ref. No.	Part No.	Description	Reqd. No. CB500	Remarks
1	17340-323-610	DUCT ASSY., air cleaner (Used in Germany, Netherlands & E.D.)	1	
2	38205-323-000	CASE, fuse	1	
3	50100-323-130B	BODY, frame (Black) (Used in England, Australia & General)	1	
4	50100-323-610H A	BODY, frame (Black) (Used in Germany, Netherlands & E.D.)	1	
5	50100-323-621B	BODY, frame (Black) (Used in France)	1	
6	50100-323-673H	BODY, frame (Black) (Used in U.S.A.)	1	
7	50351-323-010	BRACKET, front engine hanger	2	
8	50356-323-010	BRACKET, rear engine hanger	1	
9	50357-323-010	COLLAR, right engine under side	1	
10	50359-323-010	COLLAR, left engine under	1	
11	83501-323-020	TRAY, tool	1	
12	83502-323-000	NET COMP., tool tray (Not Used in Germany, Netherlands & E.D.)	1	
13	87125-041-680	PLATE, name (Used in England, General & Australia)	1	
14	87501-323-610	PLATE, registered number (Used in Germany) ...	1	
15	87501-323-620	PLATE, registered number (Used in France)	1	
16	87501-323-630	PLATE, registered number (Used in Netherlands & E.D.)	1	
17	87506-323-670	MARK, battery caution	1	
18	90107-323-000	BOLT, rear engine hanger lower	1	
19	90108-323-000	BOLT, rear engine upper	1	
20	90841-001-000	SCREW, rivet, 15x5	2	

F-33 Frame Body

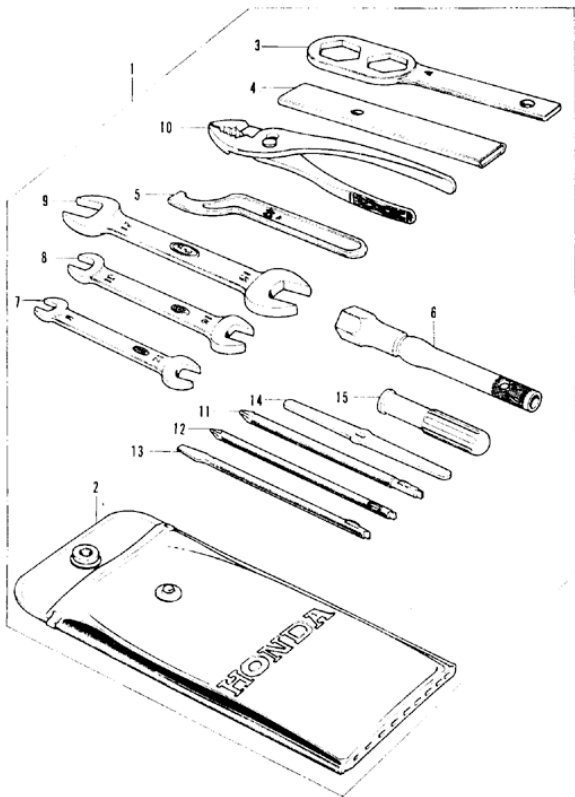


F-33 Frame Body

Ref. No.	Part No.	Description	Reqd. No. CH500	Remarks
21	92000-08040-0A	BOLT, hex., 8x40	1	
22	92000-08100-0A	BOLT, hex., 8x100	1	
23	92200-10050-0A	BOLT, 10x50	2	
24	92200-10080-0A	BOLT, hex., 10x80	2	
25	93000-08050-0A	BOLT, hex., 8x50	2	
26	93000-08055-0A	BOLT, hex., 8x55	2	
27	94001-08000-0S	NUT, hex., 8 mm	5	
28	94030-10000	NUT, hex., 10 mm	5	
29	94030-12000	NUT, hex., 12 mm	2	
30	94101-08000	WASHER, plain, 8 mm	2	
31	94101-12000	WASHER, plain, 12 mm	2	
32	94111-08000	WASHER, spring, 8 mm	6	
33	94111-10000	WASHER, spring, 10 mm	5	
34	94111-12000	WASHER, spring, 12 mm	2	
35	98200-11500	FUSE (15A spare parts)	5	



F-34 Tool



F-34 Tool

Ref. No.	Part No.	Description	Reqd. No. CB500	Remarks
1	89010-323-000	TOOL SET	1	
2	89101-300-410	BAG, tool	1	
3	89202-283-000	WRENCH, axle	1	
4	89203-283-000	ARM, axle wrench.....	1	
5	89206-283-000	SPANNER, pin, 45 mm	1	
6	89216-323-000	WRENCH, plug	1	
7	99001-08120	SPANNER, 8 x 12	1	
8	99001-10140	SPANNER, 10 x 14.....	1	
9	99001-17190	SPANNER, 17 x 19.....	1	
10	99002-15000	PLIER, 150 mm	1	
11	99003-10000	DRIVER, plus, #2	1	
12	99003-20000	DRIVER, plus, #3	1	
13	99003-30000	DRIVER, minus, #2	1	
14	99003-40000	LEVER	1	
15	99003-50000	CLIP	1	