

# PARTS LIST

FOR

# HONDA

**CB350F**  
**CB350F1**

## FOREWORD

This Parts List contains all the replacement parts for the CB350F and CB350F1 models and is to be used when ordering replacement parts.

On placing your replacement parts order, please inform us the frame number for frame parts and the engine number for engine parts together with your order.

The reason for this is that it is necessary to verify that the parts being ordered are applicable to the model series intended.

No supplement to this Parts List will be issued. In case of any change to its content, no notification or supplement will be issued for this Parts List. However, a revised edition of this Parts List will be issued to maintain it up-to-date. The revised edition can be identified by the revision No. on the cover. To check on the latest Parts List revision, please contact your nearest distributor.

December 28, 1972.

**HONDA MOTOR CO., LTD.**

<b>GROUP INDEX</b>
INSTRUCTION FOR USE OF PARTS LIST B1 - B3
<b>ENGINE GROUP</b>  C1, C2 - D4
<b>FRAME GROUP</b>  C1, D5 - F10
<b>PART NO. INDEX</b>  B4 - B8

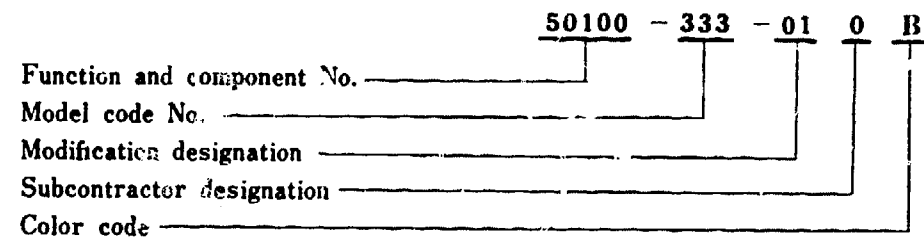
## INSTRUCTION FOR USE OF PARTS LIST

### DESCRIPTION OF PARTS LIST

#### 1. Make-up of the part number

The following example is the definition of part number.

(Example)



#### 2. Abbreviations

The abbreviations used in this parts list are as follows.

ASSY. ....	Assembly	KPH .....	Kilometers per hour
COMP. ....	Complete	MPH .....	Miles per hour
R. ....	Right	L(100L) .....	Link (100 Links)
L. ....	Left	A.C. ....	Alternating current
STD. ....	Standard	D.C. ....	Direct current
MM .....	Millimeter	IN. ....	Inlet
G .....	Gram	E.X. ....	Exhaust
T(22T) .....	Tooth (22 Teeth)	F.R. ....	Front
A .....	Ampere	RR. ....	Rear
V .....	Volt	HEX. ....	Hexagonal
W .....	Watt		

#### 3. Dimensions

All dimensions are in millimeters except for the steel balls and wheels.

Parts	Example	Interpretation
Bolt (Screw)	6×12	6 mm diameter, 12 mm length
Pin	8×14	8 mm diameter, 14 mm length
O-ring	9.5×1.6	9.5 mm diameter, 1.6 mm thickness
Oil seal	14×24×5	14 mm inside diameter, 24 mm outside diameter, 5 mm thickness
Tube	5×130	5 mm inside diameter, 130 mm length

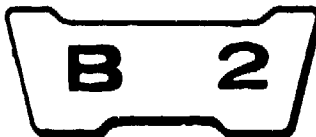
#### 4. Quantity used

In the column "Reqd. No." is shown the quantity of parts used in the respective group.

Parts with quantities in ( ) represent optional parts.

Part whose required number is "N", is part whose required number can be selected at need.

#### 5. The parts number described under the part description supersedes the part number ahead.



### 6. Models, area codes and applicable serial numbers

Models, area codes and applicable serial Nos. given in this parts list can be identified as follows.

Parts with area codes are exclusive for models destined for countries designated.

If no area codes are listed, parts are for common use.

If there is a production change to a part, the frame or engine number to which this part become effective will be indicated in the "Serial No." column. However, in case the part is used from the initial serial number, its applicable serial number is not shown.

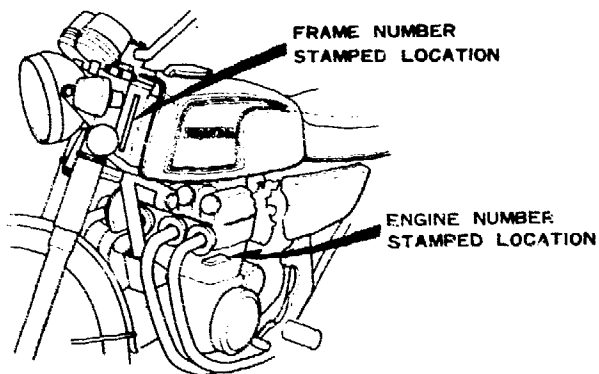
The applicable serial numbers for models are as follows.

Model	Area code	Type	Applicable engine serial No.	Applicable frame serial No.
CB350F	A	U.S.A.	CB350FE-1000001~1064284	CB350F-1000001~1064253
	D	General export	CB350FE-1027187~1080745	CB350F-1027139~1082504
	ED	European direct sales	CB350FE-1036555~1081565	CB350F-1036509~1083304
	F	France	CB350FE-1034633~1082070	CB350F-1034588~1083794
	IT	Italy	CB350FE-1059130~1079290	CB350F-1059049~1081034
	G	Germany	CB350FE-1034632~1069485	CB350F-1034587~1071219
CB350F1	A	U.S.A.	CB350FE-2000001~2012510	CB350F-2000001~2012490

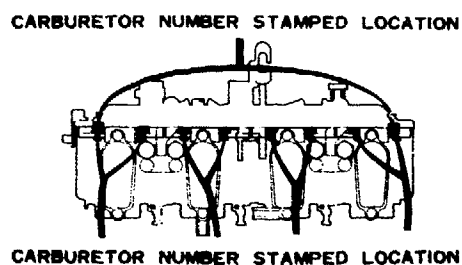
\*Of carburetor identification numbers, only the portions underlined in the example below are used for registration.

### 7. Location of stamped serial number

656 A A KC 7



B333-45



B333-46

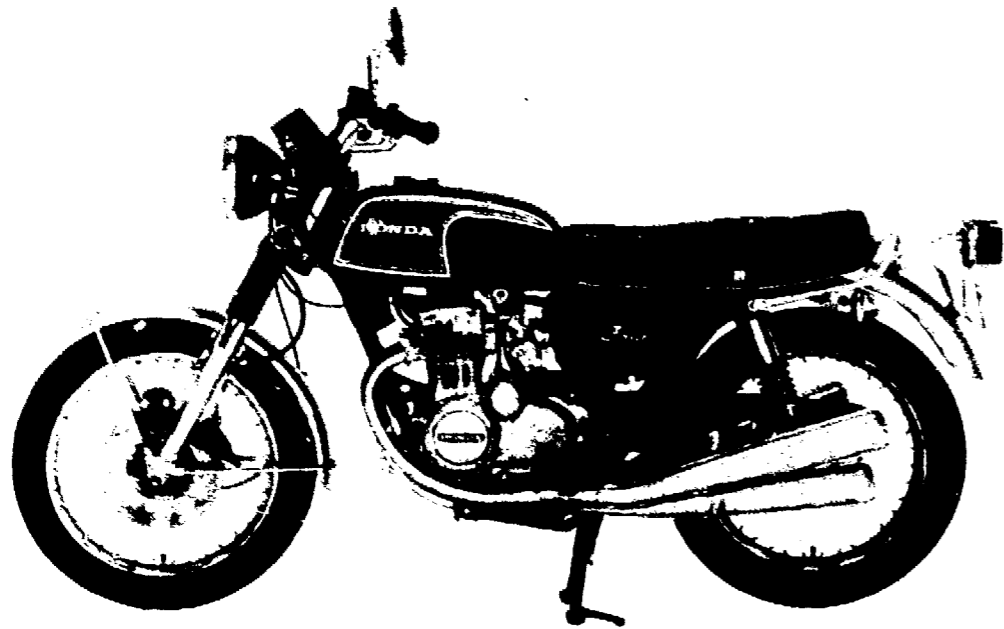
### 8. Color code

The following table indicates the color description of the color codes which are listed in the text.

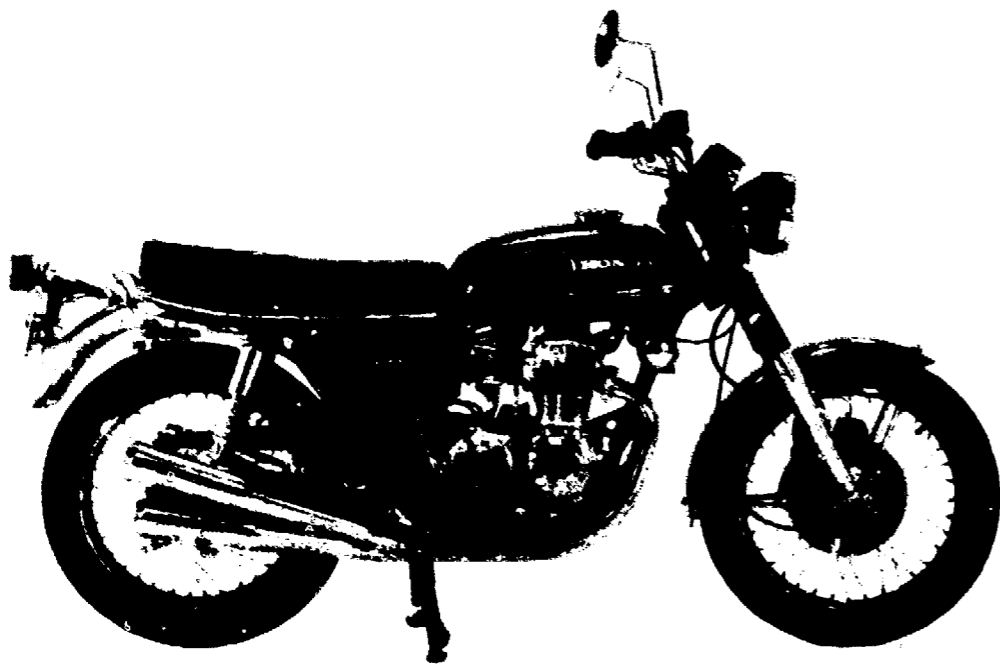
Color code	Color description	Color code	Color description
A	White	NQ	Custom silver metallic
A	Black (Leather)	PJ	Flake matador red
B	Black	UC	Glory blue black metallic special
HX	Light ruby red	XW	Chrome plated
LY	Candy bacchus olive custom		

9. This parts list is compiled as of November 20, 1977, and published as the final edition.

B 3



CB350F-A



CB350F1-A

CROSS-REFERENCE TABLE

BLOCK NO.	ADDRESS NO.	BLOCK NO.	ADDRESS NO.
E - 1	C 2	F - 1	D 5
E - 2	C 3	F - 2	D 6
E - 3	C 4	F - 3	D 7
E - 4	C 5	F - 4	D 8
E - 5	C 6	F - 5	D 9
E - 6	C 7	F - 6	D 10
E - 7	C 8	F - 7	D 11
E - 8	C 9	F - 8	D 12
E - 9	C 10	F - 9	D 14
E - 10	C 11	F - 10	D 15
E - 11	C 12	F - 11	D 16
E - 12	C 13	F - 12	E 1
E - 13	C 14	F - 13	E 2
E - 14	C 15	F - 14	E 3
E - 15	C 16	F - 15	E 4
E - 16	D 1	F - 16	E 5
E - 17	D 2	F - 17	E 7
E - 18	D 3	F - 18	E 8
E - 19	D 4	F - 19	E 9
		F - 20	E 10
		F - 21	E 11
		F - 22	E 12
		F - 22-1	E 13
		F - 22-2	E 14
		F - 23	E 15
		F - 23-1	F 1
		F - 24	F 2
		F - 24-1	F 3
		F - 24-2	F 4
		F - 25	F 5
		F - 26	F 6
		F - 27	F 7
		F - 28	F 8
		F - 29	F 9
		F - 30	F 10



PART No. INDEX



Part No.	Block No.	Part No.	Block No.	Part No.	Block No.
11000		13210-333-004	E-14	15477-300-300	E-6
11000-333-305	E-18	13210-333-005	E-14	15650-333-000	E-8
11208-333-000	E-18	13213-333-003	E-14	15761-303-000	E-1
11210-333-020	E-6	13214-300-000	E-14	15772-292-010	E-1
11291-333-000	E-18	13215-333-003	E-14		F-14
11331-333-030	E-8	13216-333-003	E-14		
11341-333-000	E-12	13217-333-003	E-14	16000	
11341-333-010	E-12	13218-333-003	E-14	16010-333-004	E-19
11394-333-020	E-8	13219-333-003	E-14	16011-329-004	E-19
11398-333-020	E-6	13300-333-010	E-14	16012-333-004	E-19
11631-333-010	E-11	13314-333-003	E-14	16013-333-004	E-19
11632-333-010	E-11	13315-333-003	E-14	16014-333-004	E-19
11691-333-000	E-11	13316-333-003	E-14	16015-333-004	E-19
		13317-333-003	E-14	16016-333-004	E-19
		13318-333-003	E-14	16017-333-004	E-19
		13319-333-003	E-14	16018-333-004	E-19
		13492-283-000	E-16	16023-333-004	E-19
12000				16025-333-004	E-19
12100-333-030	E-4	14000		16028-333-004	E-19
12191-333-010	E-4	14101-333-020	E-3	16029-323-004	E-19
12200-333-050	E-2	14321-333-000	E-5	16030-323-004	E-19
12200-333-060	E-2	14321-354-000	E-5	16031-333-004	E-19
12202-333-315	E-2	14401-333-003	E-5	16035-333-004	E-19
12203-333-325	E-2	14431-333-000	E-3	16036-323-004	E-19
12203-333-335	E-2	14435-333-000	E-3	16100-333-004	E-19
12209-333-005	E-2	14451-333-000	E-3	16101-333-004	E-19
12251-333-003	E-2	14500-333-020	E-5	16102-333-004	E-19
12310-333-020	E-1	14501-323-000	E-5	16103-333-004	E-19
12320-333-020	E-1	14530-333-000	E-5	16104-333-004	E-19
12329-333-010	E-1	14541-333-020	E-5	16111-333-004	E-19
12361-300-000	E-1	14543-333-000	E-5	16112-333-004	E-19
12391-333-000	E-1	14545-333-000	E-5	16173-253-004	E-2
12431-333-010	E-1	14550-333-000	E-5	16199-333-004	E-19
12435-333-000	E-1	14550-369-000	E-5	16212-333-030	E-2
12901-333-000	E-4	14620-333-000	E-5	16213-333-030	E-2
12903-333-000	E-2	14711-333-000	E-3	16290-333-000	E-19
12904-333-000	E-2	14721-333-000	E-3	16952-268-000	F-11
12905-333-000	E-2	14751-333-000	E-3	16953-268-020	F-11
12909-333-000	E-4	14751-333-010	E-3	16955-268-020	F-11
12910-333-000	E-4	14761-333-000	E-3	16957-268-010	F-11
		14761-333-010	E-3	16957-333-025	F-11
		14771-107-020	E-3	16958-268-010	F-11
		14775-107-000	E-3	16960-268-010	F-11
		14776-107-010	E-3	16961-268-010	F-11
		14781-107-020	E-3	16993-011-000	F-11
				16997-273-006	F-11
13000		15000			
13011-333-003	E-4	15100-333-010	E-12	17000	
13011-333-004	E-4	15151-333-000	E-6	17210-333-015	F-14
13011-333-005	E-4	15152-333-000	E-6	17210-333-610	F-14
13012-333-003	E-4	15153-333-000	E-6	17216-333-010	F-14
13012-333-004	E-4	15155-333-000	E-6	17230-333-010	F-14
13012-333-005	E-4	15157-333-000	E-6	17230-333-610	F-14
13013-333-003	E-4	15331-300-000	E-18	17235-333-000	F-14
13013-333-004	E-4	15332-300-000	E-18	17236-333-000	F-14
13013-333-005	E-4	15391-333-000	E-12	17240-333-000	F-14
13014-333-003	E-4	15411-333-000	E-6	17241-333-000	F-14
13014-333-004	E-4	15412-300-024	E-6	17242-333-000	F-14
13014-333-005	E-4	15414-300-000	E-6	17245-107-010	F-14
13015-333-003	E-4	15415-300-000	E-6	17252-333-000	F-14
13015-333-004	E-4	15420-333-000	E-6	17255-246-000	E-2
13015-333-005	E-4	15423-333-000	E-6	17255-333-000	F-14
13101-333-010	E-4	15473-300-300	E-6	17256-333-000	F-14
13102-333-010	E-4	15474-300-310	E-6	17260-333-000	F-14
13103-333-010	E-4				
13104-333-010	E-4				
13105-333-010	E-4				
13111-087-000	E-4				
13210-333-002	E-14				
13210-333-003	E-14				



**PART No. INDEX**



**PART No. INDEX**

Part No.	Block No.	Part No.	Block No.	Part No.	Block No.	Part No.	Block No.	Part No.	Block No.	Part No.	Block No.
17300-333-000	F-14	22931-333-010	E-8	28120-333-000	E-15	32165-333-000	F-26	33600-292-610	F-23-1	35000	
17335-323-000	F-14	22950-333-000	E-9	28121-333-300	E-15	32166-333-000	F-26	33600-292-611	F-23-1		
17500-333-610HX	F-11	22870-333-000	F-2	28122-333-300	E-15	32401-333-000	F-25	33600-300-000	F-23	35020-323-612	F-26
17500-333-610LY	F-11	22870-333-610	F-2	28125-253-020	E-15	32410-333-000	E-13	33600-306-670	F-23	35020-323-672	F-26
17500-333-610NQ	F-11			28126-253-030	E-15	32411-253-000	E-13	33600-333-620	F-23	35150-333-620	F-22-1
17500-333-620HX	F-11	23000		28211-333-020	E-10	32412-333-000	F-25	33600-333-730	F-23		
17500-333-620LY	F-11			28221-333-010	E-10	32601-286-000	F-25	33602-323-631	F-23	35151-292-751	F-22-1
17500-333-620NQ	F-11	23101-333-030	E-15	28241-333-010	F-29	32983-011-000	F-20	33603-053-650	F-14		
17500-333-671HX	F-11	23102-333-010	E-15	28251-333-010	E-10	32985-300-000	F-20	33605-292-610	F-23-1	35152-268-000	F-22-1
17500-333-671LY	F-11	23104-333-020	E-9	28259-333-010	E-10			33605-333-000	F-23		
17500-333-671NQ	F-11	23108-333-020	E-9	28261-333-030	E-10	33000		33606-074-010	F-23	35153-268-000	F-22-1
17500-333-671PJ	F-11	23110-333-000	E-15	28271-333-000	E-10			33609-333-000	F-23		
17500-333-671UC	F-11	23111-333-000	E-15	28293-333-000	F-29	33100-286-611	F-22-1	33610-292-610	F-23-1	35154-268-000	F-22-1
17510-323-310	F-11	23112-333-000	E-15	28294-333-000	F-29	33100-286-622	F-22-2	33610-300-000	F-23		
17513-300-300	F-11	23114-323-000	E-15	28300-333-010	F-29	33100-333-671	F-22	33610-306-670	F-23	35250-300-033	F-2
17514-323-300	F-11	23131-323-000	E-15	28301-333-010	F-29	33101-283-601	F-22-1	33616-304-650	F-23-1	35250-319-003	F-2
17515-300-300	F-11	23132-333-010	E-15	28305-333-010	F-29	33101-286-621	F-22-2	33650-292-610	F-23-1	35250-323-013	F-2
17517-300-340	F-11	23211-333-030	E-16	28311-329-000	F-29	33101-333-670	F-22	33650-292-611	F-23-1	35250-333-003	F-2
17534-323-300	F-11	23220-333-010	E-16	28333-333-000	F-29	33103-333-000	F-22	33650-306-670	F-23	35300-333-610	F-1
17611-333-000	F-11	23311-200-000	E-9	30000		33107-333-000	F-22	33650-333-000	F-23	35300-333-671	F-1
17613-333-010	F-11	23420-333-000	E-16			33108-268-000	F-22-1	33650-333-620	F-23	35303-333-610	F-22-1
17681-333-000	F-11	23431-333-010	E-16	30200-333-004	E-7	33109-333-680	F-22-2	33650-333-730	F-23		
17910-333-000	F-1	23451-333-000	E-16	30201-333-004	E-7			33660-292-610	F-23-1	35315-235-000	F-1
17910-333-610	F-1	23461-333-010	E-16	30203-333-004	E-7			33660-306-670	F-23	35317-001-310	F-1
17920-333-000	F-1	23471-333-000	E-16	30204-333-004	E-7			33660-333-003	F-23		
17920-333-610	F-1	23481-333-000	E-16	30205-028-004	E-7	33115-283-601	F-22-1	33666-304-650	F-23-1	35317-310-810	F-2
		23491-333-020	E-16	30205-333-004	E-7	33115-286-621	F-22-2	33700-292-610	F-24-2	35318-259-000	F-1
18000		23501-333-000	E-16	30215-333-004	E-7	33117-292-003	F-22	33701-051-000	F-24-2		
		23801-333-000	E-16	30220-333-004	E-7	33120-283-601	F-22-1	33701-333-620	F-24-1	35350-300-006	F-5
		23811-292-000	E-16	30220-333-004	E-7	33120-286-621	F-22-2	33701-342-671	F-24	35350-300-016	F-5
18231-333-010	F-15			30233-333-000	E-7	33120-333-670	F-22	33702-323-603	F-24-1	35350-336-000	F-16
18233-303-010	F-15	24000		30250-333-004	E-7	33125-087-761	F-22	33702-341-671	F-24	35357-011-000	F-16
18291-028-000	F-15			30370-323-000	E-7	33128-200-033	F-22	33703-333-620	F-24-1	35500-333-004	E-12
18300-333-010	F-15	24211-333-020	E-17	30372-300-300	E-7	33130-286-611	F-22-1	33703-342-671	F-24	35500-333-014	E-12
18300-333-610	F-15	24216-333-020	E-17	30510-333-013	F-26	33130-286-622	F-22-2	33707-292-610	F-24-2	35510-333-000	E-12
18300-333-710	F-15	24221-333-020	E-17	30520-333-013	F-26	33130-333-000	F-22	33708-077-671	F-24-1	35750-333-013	E-11
18325-333-000	F-15	24226-333-020	E-17	30700-300-010	F-26	33170-286-611	F-22-1	33708-292-610	F-24-2	35750-333-023	E-11
18400-333-010	F-15	24231-333-010	E-17	30700-341-620	F-26	33400-292-003	F-23	33708-341-671	F-24	35751-333-003	E-11
18400-333-610	F-15	24231-333-010	E-17	30701-323-013	F-26	33400-292-611	F-23-1	33709-051-000	F-24-2	35755-333-010	E-11
18400-333-710	F-15	24261-283-000	E-16	30701-323-013	F-26	33400-292-612	F-23-1	33709-077-671	F-24-1	35850-306-670	F-25
18425-333-000	F-15	24300-333-000	E-17	30701-323-013	F-26	33400-292-670	F-23	33709-341-671	F-24	35856-323-000	F-25
18472-300-000	F-15	24301-333-010	E-17	31000		33400-317-730	F-23	33710-292-610	F-24-2	35857-333-000	F-25
18473-300-000	F-15	24304-333-030	E-17			33401-292-003	F-23	33710-333-000	F-24	35858-333-000	F-25
18500-333-010	F-15	24321-333-010	E-17	31101-333-004	E-11	33402-268-610	F-23-1				
18500-333-610	F-15	24326-300-000	E-17	31102-333-004	E-11	33402-268-671	F-23	33711-333-000	F-24	37000	
18500-333-710	F-15	24430-333-000	E-17	31103-333-004	E-11	33402-292-003	F-23				
18600-333-010	F-15	24435-333-000	E-17	31110-333-000	E-11	33403-285-010	F-23-1	33712-300-003	F-24	37211-333-008	F-21
18600-333-610	F-15	24436-333-010	E-17	31200-333-000	E-13	33407-284-000	F-23			37212-333-000	F-21
18600-333-710	F-15	24440-333-000	E-17	31201-230-174	E-13	33408-284-000	F-23	33715-051-000	F-24-2	37212-455-000	F-21
		24610-333-010	E-17	31204-225-154	E-13	33408-341-701	F-23	33716-051-000	F-24-2	37213-333-000	F-21
22000		24641-216-000	E-17	31206-286-158	E-13	33410-292-000	F-23-1	33717-292-610	F-24-2	37213-455-000	F-21
		24641-333-000	E-17	31400-333-004	F-25			33719-077-671	F-24	37230-333-672	F-21
22100-333-040	E-9	24651-333-000	E-17	31403-323-000	F-25	33410-292-610	F-23-1			37230-333-680	F-21
22116-333-020	E-9	24652-035-000	E-17	31500-310-671	F-25	33411-285-000	F-23-1	33741-333-610	F-24-2	37240-333-008	F-21
22120-333-040	E-9	24660-333-020	E-17	31503-044-670	F-13	33413-285-000	F-23-1	33741-340-670	F-8	37242-323-701	F-21
22125-333-000	E-9	24667-333-020	E-17	31700-333-008	F-25	33441-333-000	F-23	33743-341-670	F-8	37243-323-000	F-21
22201-302-000	E-9	24700-333-000	F-29			33441-455-670	F-23			37243-457-000	F-21
22201-333-010	F-9			32000		33443-268-671	F-23	34000		37244-307-670	F-21
22201-377-000	E-9	25000				33450-292-003	F-23			37260-333-000	F-21
22321-333-010	E-9			32100-333-000	F-26	33450-292-611	F-23-1	34902-259-000	F-3	37576-323-000	F-3
22350-333-010	E-9	25911-500-000	E-5	32108-046-000	F-26	33450-292-612	F-23-1			37577-333-000	F-3
22360-333-010	E-9			32111-333-000	E-18	33450-292-670	F-23	34905-268-671	F-23	37579-323-000	F-3
22401-268-000	E-9	28000		32112-333-000	E-8	33450-317-730	F-23	34905-284-000	F-23	37581-333-000	F-3
22402-333-003	E-9					33453-292-003	F-23	34906-313-671	F-24		
22810-333-030	E-8	28101-333-000	E-13	32113-333-000	E-12	33460-292-610	F-23-1	34906-594-602	F-24-1		
22815-333-000	E-8	28106-333-000	E-13	32120-323-000	F-26	33460-292-650	F-23				
22821-107-000	E-8	28111-333-310	E-15								

**PART No. INDEX**

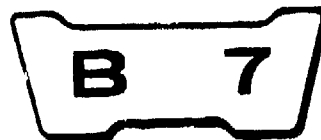


**PART No. INDEX**

Part No.	Block No.	Part No.	Block No.	Part No.	Block No.
38000		43451-354-000	F-16	45504-300-003	F-4
38100-333-003	F-26	43453-250-000	F-16	45505-300-003	F-4
38100-333-620	F-26	44000		45506-300-003	F-4
38100-333-732	F-26	44301-312-000	F-7	45512-300-003	F-4
38101-341-630	F-26	44311-300-000	F-7	45513-341-671	F-4
38105-323-000	F-26	44601-317-702	F-7	45513-341-770	F-4
38205-115-000	F-13	44606-283-000	F-7	45517-300-003	F-4
38300-292-670	F-25	44607-283-000	F-7	45520-300-000	F-4
38300-300-000	F-25	44608-283-000	F-7	45521-300-010	F-4
38300-300-610	F-25	44609-283-000	F-7	45522-300-010	F-4
38300-333-621	F-25			45526-341-000	F-4
38300-369-004	F-25			45527-300-000	F-4
38306-107-670	F-25			46000	
40000		44620-317-701	F-7	46125-533-003	F-4
40510-333-000	F-19	44641-333-000	F-7	46140-533-003	F-4
40514-333-000	F-19	44642-317-701	F-7	46500-333-010	F-16
40530-333-003	F-19	44643-300-000	F-7	46514-333-000	F-16
40530-333-005	F-19	44701-317-701	F-7	46515-333-000	F-16
40531-333-003	F-19	44711-333-003	F-7	50000	
40531-333-005	F-19	44800-317-700	F-7	50100-333-010B	F-28
40543-312-010	F-19	44830-323-000	F-21	50100-333-610B	F-28
40548-268-000	F-19	44831-323-000	F-21	50301-268-305	F-10
41000		44831-333-000	F-21	50302-268-305	F-10
41123-516-000	E-12	45000		50329-286-010	F-28
41200-333-000	F-17	45100-323-043	F-6	50351-333-000	F-28
41200-333-710	F-17	45101-323-013	F-6	50356-333-000	F-28
41202-286-000	F-17	45102-323-003	F-6	50375-333-010	F-26
41211-333-000	F-17	45104-317-700	F-6	50400-333-000	F-20
41231-286-000	F-17	45105-323-043	F-6	50400-333-610	F-20
41241-286-000	F-17	45106-323-006	F-6	50462-333-000	F-26
42000		45106-323-013	F-6	50462-333-731	F-26
42301-286-010	F-16	45107-323-020	F-6	50500-333-000	F-27
42311-286-006	F-17	45108-300-003	F-6	50523-333-000	F-27
42313-286-000	F-16	45115-323-010	F-6	50526-286-000	F-27
42601-333-000	F-17	45116-323-010	F-6	50530-333-020	F-27
42620-286-000	F-17	45116-323-020	F-6	50603-033-000	F-27
42625-286-000	F-17	45117-300-020	F-6	50616-310-000	F-27
42701-286-003	F-17	45119-333-000	F-6	50617-283-000	F-27
42701-290-003	F-17	45120-317-701	F-6	50618-333-670	F-27
42711-323-013	F-17	45120-369-000	F-6	50630-333-670	F-27
42712-268-000	F-7	45125-300-020	F-5	50640-333-670	F-27
42712-287-000	F-17	45126-300-611	F-5	50641-333-670	F-27
42713-268-000	F-17	45126-333-000	F-5	50642-310-000	F-27
		45127-323-000	F-5	50644-283-000	F-27
		45128-317-701	F-5	50661-333-000	F-27
		45133-240-000	F-16	50713-333-000	F-27
		45133-329-000	F-16	50714-333-000	F-27
43000		45134-250-000	F-16	51000	
43100-333-000	F-16	45140-333-000	F-6	51400-333-000	F-8
43100-369-000	F-16	45146-300-000	F-5	51401-333-000	F-8
43120-286-000	F-16	45224-579-013	F-6	51402-333-000	F-8
43120-369-670	F-16	45225-579-013	F-6	51410-317-700	F-8
43141-286-010	F-16	45451-283-000	F-9	51413-317-700	F-8
43141-369-000	F-16	45500-333-670	F-4	51421-333-000	F-8
43145-369-000	F-16	45500-346-620	F-4	51430-333-000	F-8
43410-286-000	F-16	45500-346-621	F-4	51461-317-701	F-8
43410-333-670	F-16	45500-346-680	F-4	51500-333-000	F-8
43431-333-000	F-19	45500-346-681	F-4	51521-333-000	F-8
43434-286-000	F-16	45500-369-670	F-4	51601-317-700	F-8
43451-316-670	F-16	45500-369-671	F-4		
		45502-300-305	F-4		

Part No.	Block No.	Part No.	Block No.	Part No.	Block No.
51602-333-000HX	F-8	53200-333-611B	F-10	83700-333-010UC	F-13
51602-333-000LY	F-8	53208-317-700	F-5	83701-333-000	F-13
51602-333-000NQ	F-8	53211-268-305	F-10	83703-333-000	F-13
51602-333-000PJ	F-8	53212-250-305	F-10	83704-333-000	F-13
51602-333-000UC	F-8	53215-250-000	F-10	83705-333-000	F-13
51606-333-000HX	F-8	53215-317-000	F-10	84000	
51606-333-000LY	F-8	53220-286-000	F-10	84701-292-610B	F-24-2
51606-333-000NQ	F-8	53225-333-000	F-10	84701-333-620B	F-24-1
51606-333-000PJ	F-8	53226-333-000	F-10	84701-341-670XW	F-24
51606-333-000UC	F-8	53231-333-000	F-3	84706-286-000	F-25
51608-286-010	F-8	53600-230-004	F-10	84706-342-000	F-24
51611-344-670HX	F-8	53631-268-020	F-10	84905-333-000	F-24-1
51611-344-670LY	F-8	61000		84905-333-000	F-24
51611-344-670NQ	F-8	61100-333-000XW	F-9	84906-118-000	F-24-1
51611-344-670PJ	F-8	61301-333-003B	F-22	84906-118-000	F-24
51611-344-670UC	F-8	61301-333-610B	F-22-1		
51612-333-000HX	F-8	61302-292-000	F-22		
51612-333-000LY	F-8	61303-336-000	F-22		
51612-333-000NQ	F-8	61304-292-000	F-22		
51612-333-000PJ	F-8	61305-333-010	F-22	87000	
51612-333-000UC	F-8	61306-333-003	F-22	87121-333-000	F-11
51622-286-010	F-8	77000		87122-333-000	F-11
52000		77103-313-000	F-12	87125-041-680	F-28
52100-333-000B	F-19	77200-333-000A	F-12	87128-333-000	F-13
52108-333-003	F-19	77201-074-000	F-12	87128-333-670	F-13
52108-457-300	F-19	77201-333-000	F-12	87129-333-000	F-13
52109-283-300	F-19	77201-333-000	F-12	87129-333-670	F-13
52136-333-000	F-19	77204-312-000	F-12	87311-516-000	F-11
52141-333-000	F-19	77210-333-810	F-12	87501-333-611	F-28
52144-283-010	F-19	77211-323-300	F-12	87501-333-620	F-28
52144-362-000	F-19	77212-323-300	F-12	87501-333-730	F-28
52145-283-000	F-19	77220-340-011	F-12	87504-028-670	F-19
52400-333-000XW	F-18	77228-340-001	F-12	87506-333-670	F-28
52401-317-700	F-18	77229-340-001	F-12	87507-333-610	F-20
52403-317-700	F-18	77230-347-003	F-12	87507-333-670	F-20
52410-333-000	F-18	77251-342-000	F-13	87560-323-611A	F-11
52421-292-670XW	F-18	80000		87560-323-611B	F-11
52422-331-003	F-18	80100-333-000XW	F-20	87560-323-621A	F-11
52424-331-003	F-18	80100-333-610XW	F-20	87560-323-621B	F-11
52458-317-700	F-18	80100-333-730XW	F-20	87560-323-670A	F-11
52482-331-003	F-18	80105-333-000	F-20	87560-323-670B	F-11
52484-292-000	F-18	80108-061-010	F-23		
52517-331-003	F-18	80121-317-731	F-20	88000	
53000		83000		88100-333-004	F-1
53100-333-000	F-3	83501-333-020	F-13	88100-333-610	F-1
53100-333-611	F-3	83502-333-000	F-13	88110-304-621	F-1
53124-250-000	F-10	83600-333-010HX	F-13	88120-304-621	F-2
53133-323-010	F-3	83600-333-010LY	F-13	88120-333-004	F-2
53141-300-010	F-1	83600-333-010NQ	F-13	88120-333-610	F-2
53163-300-020	F-1	83600-333-010PJ	F-13	89000	
53165-342-670	F-1	83600-333-010UC	F-13	89010-333-000	F-30
53166-342-670	F-2	83601-333-000	F-13	89101-300-010	F-30
53170-333-000	F-4	83618-323-000	F-14	89216-333-000	F-30
53170-369-003	F-4	83621-333-000	F-13	90000	
53190-286-670	F-2	83700-333-010HX	F-13	90012-333-000	E-3
53190-300-000	F-1	83700-333-010LY	F-13	90013-333-010	E-9
53190-369-700	F-2	83700-333-010NQ	F-13	90014-333-000	E-11
53191-300-000	F-1	83700-333-010PJ	F-13		
53192-268-000	F-2				
53200-333-000B	F-10				
53200-333-010B	F-10				
53200-333-610B	F-10				

**PART No. INDEX**



**PART No. INDEX**

Part No.	Block No.	Part No.	Block No.	Part No.	Block No.	Part No.	Block No.	Part No.	Block No.	Part No.	Block No.
90016-286-000	E-5	90514-333-000	F-27	91317-703-000	E-5	93500-05006-0A	E-2	94001-10000-0S	F-23	94111-C8000	F-8
90017-333-000	E-18	90514-700-000	F-12	91319-300-000	E-18	93500-05008-0A	F-23		F-23-1		F-15
90018-333-000	E-1	90518-921-000	F-3	91329-590-003	E-6	93500-05014-0A	E-7		F-27		F-21
90031-333-000	E-18	90522-286-000	F-17	91354-702-000	E-8	93500-05016-0A	E-19		F-28		F-28
90032-333-000	E-18	90522-317-700	F-6				F-14	94001-12200	F-28	94111-10000	F-19
90044-333-300	E-2	90523-286-000	F-17	92000		93500-05016-0B	F-22	94002-08000-0S	E-5		F-22
90045-329-000	E-18	90524-030-000	F-16			93500-05016-0G	F-15	94011-16220-0S	F-17		F-22-1
90081-246-000	E-5	90525-030-000	F-21	92000-05020-0A	F-24	93500-05020-0A	F-14	94021-06020	F-21		F-22-2
90081-312-000	E-5		F-24		F-24-1	93500-05025-0A	E-2	94021-08000-0S	F-21		F-23
90081-512-010	E-13		F-24-1	92000-06008	F-8		F-1	94021-08020-0S	F-3		F-23-1
90082-333-000	E-18		F-24-2	92000-06012	E-15		F-2		F-21		F-27
90084-333-000	E-1		F-25		E-16	93500-05032-0A	F-1	94030-08000	F-8		F-28
90086-333-000	E-18	90526-216-000	F-19		F-19	93500-06008-02	F-8	94030-10000	F-27	94111-12000	F-28
90106-333-000	F-28	90527-230-000	F-18	92000-06016	F-9	93500-06012	E-6		F-28	94201-16120	F-16
90107-333-000	F-28	90543-273-000	F-8		F-13		E-11	94031-10000	F-17	94201-16150	F-27
90108-283-000	F-27	90544-283-000	F-8		F-25	93500-06016	E-11	94101-03000	F-10	94201-16220	F-6
90108-333-000	F-28	90545-300-000	F-5	92000-06020	E-5		E-19	94101-04000	F-22	94201-20150	E-8
90111-362-000	F-3	90549-121-000	F-16		F-14	93500-06018	E-2	94101-05000	E-7		F-16
90114-300-000	F-4	90555-283-000	F-3		F-20	93500-06020-49	F-20	94101-06000	E-5		F-19
90114-310-000	F-2	90581-342-000	F-24	92000-06025-02	F-29	93500-06028	F-11		E-8	94201-25250	F-27
90116-283-010	F-8		F-24-1		F-24	93500-06032	E-11		F-4	94201-25300	F-27
90119-283-000	F-19	90601-300-000	E-9		F-24-1	93500-06035	E-12		F-6	94201-30450	F-14
90121-292-000	F-19		E-16		F-24-2	93500-06040	E-8		F-8	94201-40300	F-17
90122-317-702	F-7	90601-333-000	E-1	92000-06028	F-4		E-11		F-9	94251-05000	F-22
90123-317-700	F-8	90605-200-000	E-10	92000-06035	F-23	93500-06055	E-8		F-12	94251-06000	F-12
90127-283-000	F-16	90609-333-000	E-9	92000-06040	F-23-1		E-11		F-13	94251-08000	F-16
90133-286-000	F-19	90651-377-003	F-4	92000-06028	F-5	93500-06090	E-8		F-14	94301-08100	E-18
90145-300-000	F-5	90665-286-000	F-17	92000-06035	F-29	93600-06012-07	F-12		F-16	94301-08140	E-2
90154-268-670	F-23	90841-001-000	F-28	92000-06040	F-27	93600-06014	E-15		F-19		E-18
90154-346-610	F-23-1			92000-06065	F-26	93600-06016	E-19		F-20	94301-10140	E-18
		91000		92000-08016-0A	F-21	93700-03025-0B	F-23		F-23	94301-12200	E-4
90154-455-670	F-23			92000-08020-0A	E-17	93700-03048-0B	F-23-1		F-23-1	94301-14200	E-12
90165-323-000	F-6	91001-235-300	E-17		F-21	93700-04012-0B	E-11		F-27	94302-06100	E-15
90167-333-000	F-26	91002-286-008	E-16	92000-08028-0A	F-16	93700-04012-0B	F-22-1	94101-08000	F-8	94305-20143	F-13
90201-333-020	E-9	91007-323-000	E-15	92000-08032-0A	F-10	93700-05010-0B	F-22-2		F-10	94520-52000	E-15
90206-001-000	E-3	91022-333-018	E-16	92000-08056-0B	F-3		F-7		F-19	94521-47000	F-8
90236-300-000	E-2	91101-253-020	E-15	92000-08065-0A	F-28	93700-05016-0A	E-1		F-20	94601-13000	E-4
90237-333-000	E-2	91101-333-000	E-17	92000-08080-0A	F-28	93700-05020-0A	E-1		F-21	94608-30000	F-8
90304-323-670	F-10	91201-300-003	E-14	92000-08080-0A	F-28	93700-06025-02	F-23		F-25	94608-40000	E-18
90305-333-000	F-7	91201-323-005	E-14	92000-10020-0B	F-22-1		E-7		F-27		
90307-283-000	F-19	91201-324-010	E-1	92000-10032-0B	F-22	94000		94101-10000	F-22	95000	
90309-315-000	F-18	91201-324-010	E-1	92000-10035-0A	F-27				F-22-1		
90309-357-000	F-6	91204-259-000	E-8	92000-10080-0A	F-28	94001-03000-0S	F-22-1		F-22-2	95001-35600-40	E-19
90313-512-000	F-13	91205-333-005	E-16	92023-06025	F-16		F-22-2		F-23	95002-02070	E-19
90321-315-670	F-2	91206-286-005	E-17	92100-06020	E-17	94001-06000	E-8		F-23-1	95002-02080	F-11
90354-268-000	F-19	91206-286-013	E-17	92200-06028	F-6		F-2	94102-08000	F-28	95010-16000	F-2
90411-333-000	E-16	91206-333-003	E-8	92200-06036	F-16		F-4	94102-08200	F-3		F-4
90433-283-000	E-13	91207-333-000	E-16	92700-08045	F-6		F-6	94102-10000	F-6	95011-40000	F-29
90435-333-000	E-17	91252-300-003	F-7	92700-08050-30	F-6		F-12	94102-12000	F-28	95011-64000	F-15
90441-333-000	E-2	91253-286-013	F-17	92800-12000	F-8		F-14	94109-12000	E-6	95012-17000	F-25
90441-377-000	E-2	91254-333-010	F-8		E-6		F-15	94109-14000	E-1	95014-41000	F-8
90443-107-000	E-2	91255-312-003	F-8	93000			F-16	94111-03000	F-22-1	95014-62200	F-26
90451-300-000	E-16	91259-333-000	F-6				F-20		F-22-2	95014-71701	F-27
90452-323-000	E-2	91301-200-000	E-2	93000-08036-0B	F-3		F-23	94111-05000	E-19	95014-72401	F-27
90454-107-000	E-10	91301-333-000	E-2	93000-08065-0B	F-20		F-23-1	94111-05200	F-22	95014-73300	F-16
90455-333-010	E-9	91301-704-000	E-8	93000-10032-0B	F-18		F-24-2	94111-06000	E-5	95015-32000	F-16
90457-333-000	E-1	91302-001-020	E-1	93500-03006-0A	E-19		F-25		E-19	95015-42000	F-16
90458-324-010	E-1	91302-028-000	E-6		F-11		F-26		F-5	95015-51000	F-16
90471-333-000	E-8		E-12	93500-03006-0H	F-22-1		F-27		F-6	95015-52000	F-16
90474-333-000	E-5	91302-044-010	E-12		F-22-2	94001-08000-0S	F-6		F-8	95015-62000	F-27
90500-455-000	F-21	91302-317-700	F-7	93500-03008-0A	F-10		F-15		F-12	95015-82000	F-27
90501-040-000	F-14	91303-333-000	F-17	9350-03010-0A	F-23-1		F-16		F-20	95015-91000	F-27
90501-310-000	F-2	91305-216-000	E-4	93500-03045-0B	F-24-2		F-19		F-24-2	95700-06016-00	E-5
90503-283-000	F-10	91305-333-000	E-2	93500-04010-0A	E-19		F-20		F-25		E-17
90506-500-000	F-14	91309-300-000	E-13	93500-04050-4J	F-24-1		F-25		F-26	95700-06016	E-5
90512-300-000	F-20	91314-220-000	E-18	93500-04055-0B	F-24		F-28	94111-08000	F-6	95700-06020-00	E-9
		91316-300-003	E-6								

**PART No. INDEX**



Part No.	Block No.	Part No.	Block No.	Part No.	Block No.
95700-06028-00	E-1	99202-60107-00	E-19		
	E-13	99202-60107-20	E-19		
95700-06032-00	E-1	99202-60107-50	E-19		
	E-12	99202-60107-80	E-19		
	E-17	99202-60108-00	E-19		
95700-06035-00	E-1	99500-03006-0A	F-22-1		
	E-2		F-22-2		
95700-06040-00	E-1				
	E-6				
	E-18				
95700-06060-00	F-1				
	E-18				
95700-06090-00	E-18				
95700-06100-00	E-18				
95700-08032-00	E-12				
95800-06055-00	E-7				
<b>96000</b>					
96100-62050	E-15				
96140-63020-10	F-7				
96140-63030-10	F-17				
96140-63040-10	F-17				
96201-30001	F-19				
96211-08000	F-10				
96211-10000	F-29				
96220-40118	E-17				
96220-40218	E-17				
<b>97000</b>					
97311-69233-10	F-7				
97339-52157-10	F-17				
97339-52159-10	F-17				
97715-52156-10	F-17				
97715-52158-10	F-17				
97716-69232-10	F-7				
<b>98000</b>					
98069-38710	E-2				
98069-58700	E-2				
98069-58711	E-2				
98069-58721	E-2				
98200-11500	F-13				
	F-26				
<b>99000</b>					
99001-10120	F-30				
99001-14170	F-30				
99002-13500	F-30				
99003-10000	F-30				
99003-20000	F-30				
99003-30000	F-30				
99003-40000	F-30				
99003-50000	F-30				
99004-18002	F-30				
99005-02000	F-30				
99006-12000	F-30				
99006-22000	F-30				
99007-45000	F-30				
99008-02000	F-30				
99124-076-0350	E-19				
99124-076-0380	E-19				
99202-60106-80	E-19				



## CONTENTS

### ENGINE GROUP

E- 1	Cylinder head cover .....	C 2
E- 2	Cylinder head .....	C 3
E- 3	Cam shaft · Valve .....	C 4
E- 4	Cylinder · Piston .....	C 5
E- 5	Cam chain · Tensioner .....	C 6
E- 6	Oil filter · Oil pan .....	C 7
E- 7	Contact breaker · Advanser .....	C 8
E- 8	Right crank case cover · Clutch lever .....	C 9
E- 9	Clutch .....	C10
E-10	Kick starter .....	C11
E-11	A.C. generator .....	C12
E-12	Left crankcase cover · Oil pump .....	C13
E-13	Starting motor .....	C14
E-14	Crankshaft .....	C15
E-15	Primary shaft · Chain .....	C16
E-16	Transmission .....	D 1
E-17	Gear shift drum .....	D 2
E-18	Crankcase .....	D 3
E-19	Carburetor (KEIHIN) .....	D 4

### FRAME GROUP

F- 1	Right handle switch · Cable .....	D 5
F- 2	Left handle switch · Cable .....	D 6
F- 3	Handle · Top bridge .....	D 7
F- 4	Brake master cylinder .....	D 8
F- 5	Front brake hose .....	D 9
F- 6	Front brake caliper · Disk .....	D10
F- 7	Front wheel .....	D11
F- 8	Front fork .....	D12



F- 9	Front fender .....	D14
F-10	Steering stem .....	D15
F-11	Fuel tank · Cock .....	D16
F-12	Seat .....	E 1
F-13	Side cover · Tool tray .....	E 2
F-14	Air cleaner .....	E 3
F-15	Exhaust muffler .....	E 4
F-16	Rear brake pedal · Panel .....	E 5
F-17	Rear wheel .....	E 7
F-18	Rear shock absorber .....	E 8
F-19	Chain case · Rear fork .....	E 9
F-20	Rear fender .....	E10
F-21	Speedometer · Tachometer .....	E11
F-22	Head light · Case (A, D) .....	E12
F-22-1	Head light · Case (ED, G, IT) .....	E13
F-22-2	Head light · Case (F) .....	E14
F-23	Turn signal (A, D, ED, F, IT) .....	E15
F-23-1	Turn signal (G) .....	F 1
F-24	Tail light (A, D) .....	F 2
F-24-1	Tail light (ED, F, IT) .....	F 3
F-24-2	Tail light (G) .....	F 4
F-25	Battery · Electric .....	F 5
F-26	Wire harness .....	F 6
F-27	Main stand · Step .....	F 7
F-28	Frame body .....	F 8
F-29	Kick arm · Change pedal .....	F 9
F-30	Tool .....	F10

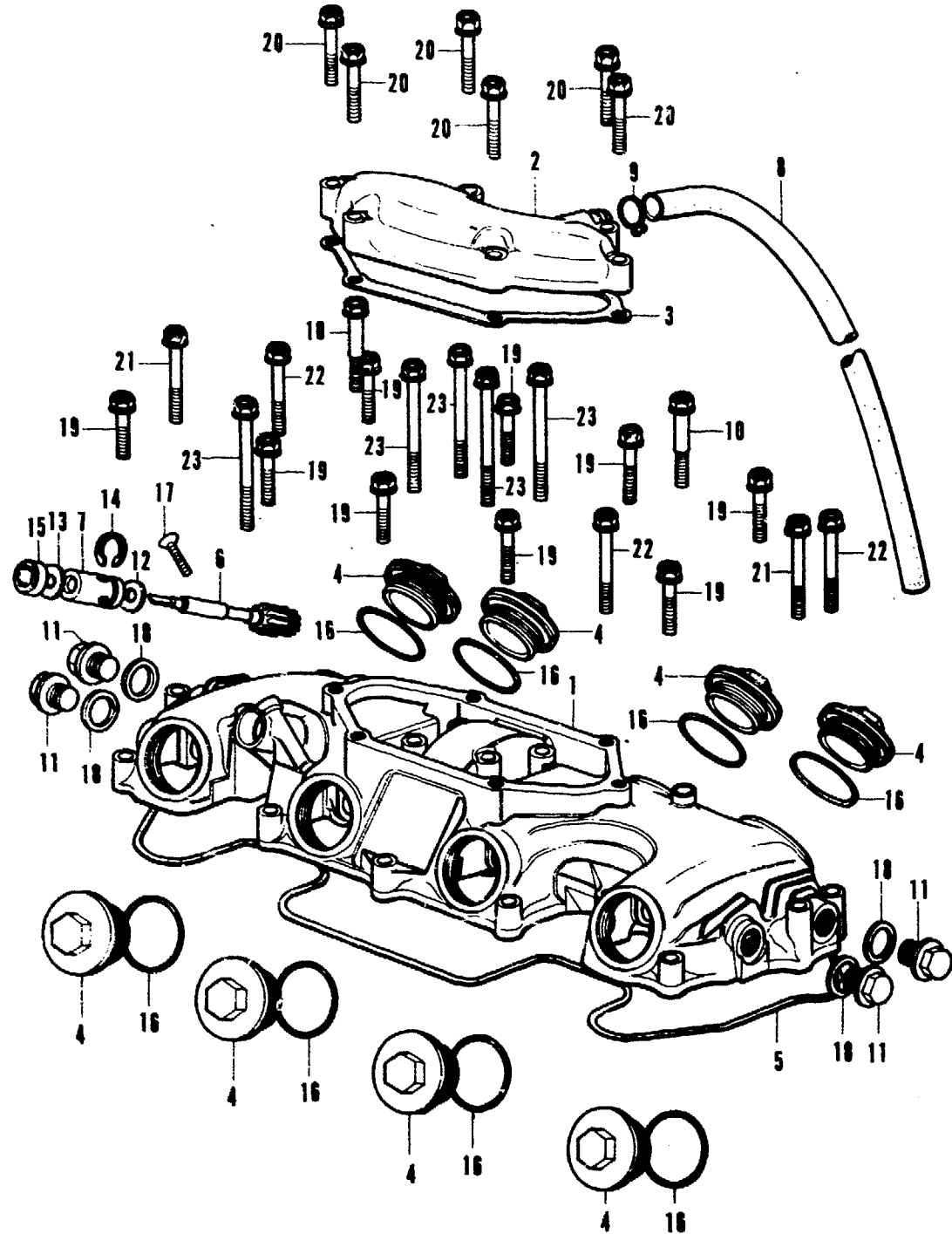
Parts No. index .....	B 4
-----------------------	-----

E-1 Cylinder head cover



E-1 Cylinder head cover

Courtesy of  Honda4Fun  
www.hondafour.com www.honda4fun.com



Ref. No.	Part No.	Description	Reqd. No. CB350 F F1	Serial No.	Area code
1	12310-333-020	COVER, CYLINDER HEAD	1 1		
2	12320-333-020	COVER COMP., BREATHER	1 1		
3	12329-333-010	GASKET, BREATHER COVER	1 1		
4	12361-300-000	CAP, TAPPET ADJUSTING HDLE	8 8		
5	12391-333-000	GASKET, CYLINDER HEAD COVER	1 1		
6	12431-333-010	GEAR, TACHOMETER	1 1		
7	12435-333-000	COLLAR, TACHOMETER GEAR	1 1		
8	15761-303-000	TUBE, BREATHER	1 1		
9	15772-292-010	CLIP, BREATHER TUBE	1 1		
10	90018-333-0u0	BOLT, UBS, 6X38	2 2		
11	90084-333-000	BOLT, SEALING	4 4		
12	90457-333-000	WASHER, THRUST, 12 MM	1 1		
13	90458-324-010	WASHER, THRUST, 6.7MM	1 1		
14	90601-333-000	SET RING, 12.7MM	1 1		
15	91201-324-010	OIL SEAL, 6.5X14.5X7	1 1		
16	91302-001-020	O-RING, 30.8MM	8 8		
17	93700-05020-0A	SCREW, OVAL, 5X20	1 1		
18	94109-14000	WASHER, DRAIN PLUG, 14MM	4 4		
19	95700-06028-00	BOLT, FLANGE, 6X28	9 9		
20	95700-06032-00	BOLT, FLANGE, 6X32	6 6		
21	95700-06035-00	BOLT, FLANGE, 6X35	2 2		
22	95700-06040-00	BOLT, FLANGE, 6X40	3 3		
23	95700-06060-00	BOLT, FLANGE, 6X60	5 5		

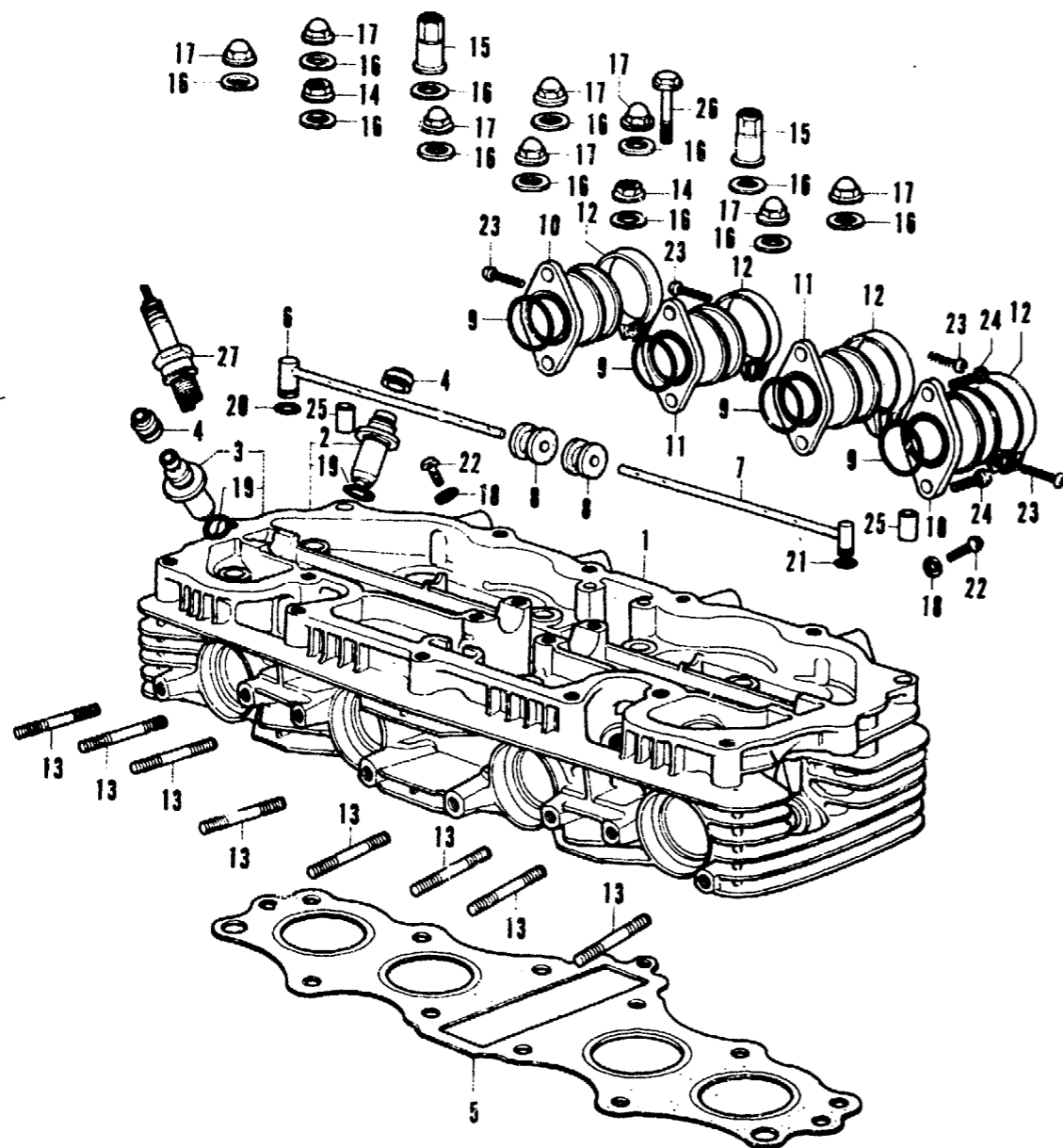


E-2 Cylinder head

E-2 Cylinder head



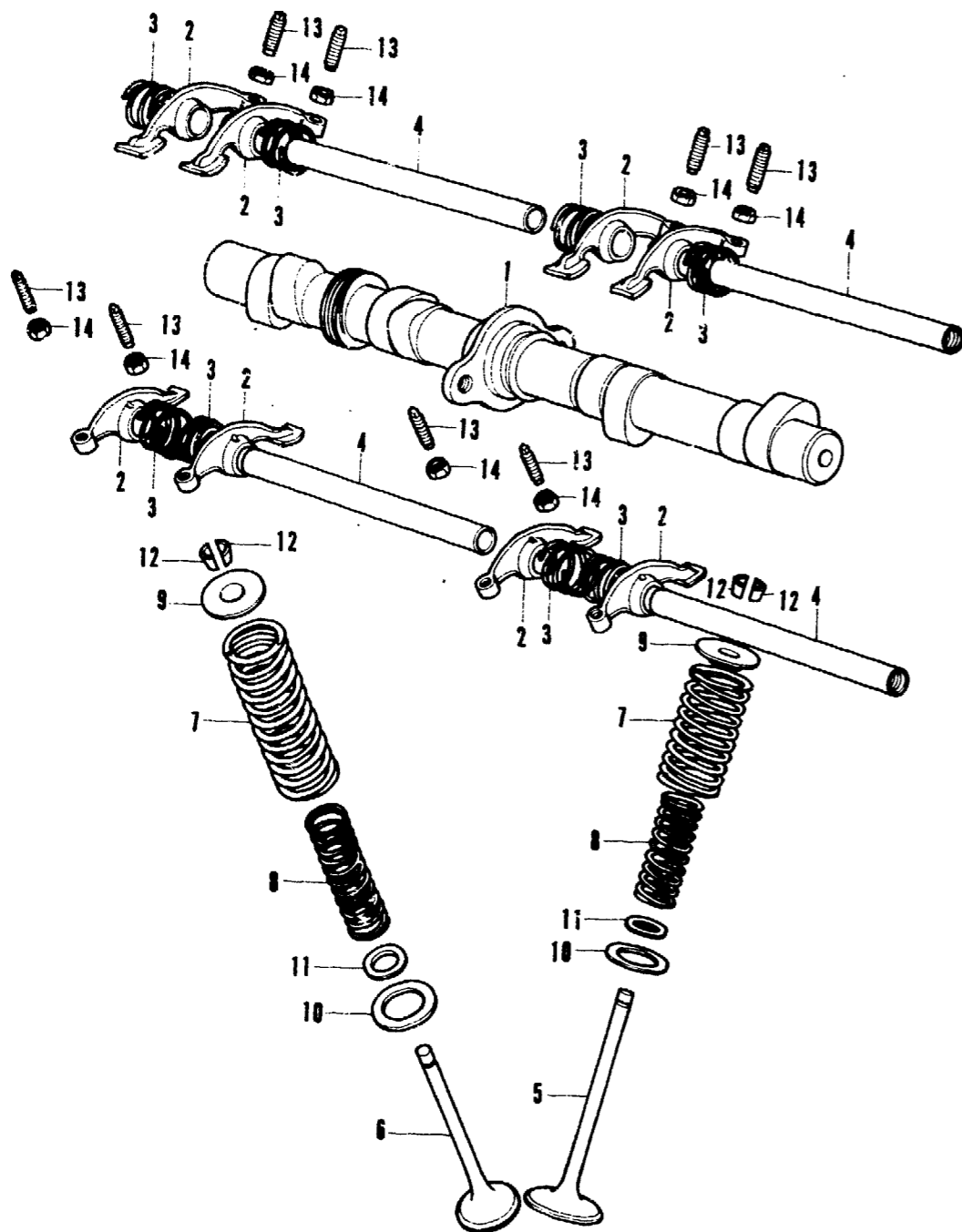
Ref. No.	Part No.	Description	Reqd. No. CB350 F F1	Serial No.	Area code
1	12200-333-050	HEAD COMP., CYLINDER 12200-333-060	1	1034531	
	12200-333-060	HEAD COMP., CYLINDER 12200-333-070	1 1	1034532	2001334 1068969
	12200-333-070	HEAD COMP., CYLINDER	1 1	2001335	1068970
2	12202-333-315	GUIDE, IN. VALVE	4 4		
3	12203-333-325	GUIDE, EX. VALVE 12203-333-335			1068969 2001334
	12203-333-335	GUIDE, EX. VALVE	4 4	1068970 2001335	
4	12209-333-005	SEAL, VALVE STEM	8 8		1068969 2001334
			4 4	1068970 2001335	
5	12251-333-003	GASKET, CYLINDER HEAD (ISHINO)	1 1		
6	12903-333-000	PIPE COMP., R. OIL	1 1		
7	12904-333-000	PIPE COMP., L. OIL	1 1		
8	12905-333-000	HOLDER, OIL PIPE	2 2		
9	16173-253-004	O-RING, 27X2.4	4 4		
10	16212-333-030	INSULATOR A, CARBURETOR	2 2		
11	16213-333-030	INSULATOR B, CARBURETOR	2 2		
12	17255-246-000	BAND, CLEANER CONNECTING TUBE	4 4		
13	90044-333-300	BOLT, STUD, 6X50	8 8		
14	90236-300-000	NUT, FLANGE, 8MM	2 2		
15	90237-333-000	NUT, SPECIAL, 8MM	2 2		
16	90441-333-000	WASHER, SEALING, 8MM 90441-377-000	12 12		
	90441-377-000	WASHER, SEALING, 8MM	12 12		
17	90443-107-000	NUT, CAP, 8MM	8 8		
18	90452-323-000	WASHER, THRUST, 5MM	4 4		
19	91301-200-000	O-RING, 10X1.6	8 8		
20	91301-333-000	O-RING, 7X1.7	1 1		
21	91305-333-000	O-RING, 5X1.7	1 1		
22	93500-05006-0A	SCREW, PAN, 5X6	4 4		
23	93500-05025-0A	SCREW, PAN, 5X25	4 4		
24	93500-06018	SCREW, PAN, 6X18	8 8		
25	94301-06140	PIN A, DDWEL, 8X14	2 2		
26	95700-06035-00	BOLT, FLANGE, 6X35	1 1		
27	98069-58711	PLUG, SPARK (D-8ES NGK)	(4)(4)		
	98069-38710	PLUG, SPARK (D-8ES-L NGK)	4 4		
	98069-58700	PLUG, SPARK (D-8ES NGK) 98069-58711	(4)		
	98069-58721	PLUG, SPARK (X24ES ND)	4 4		



# C 4

## E-3 Cam shaft · Valve

## E-3 Cam shaft · Valve

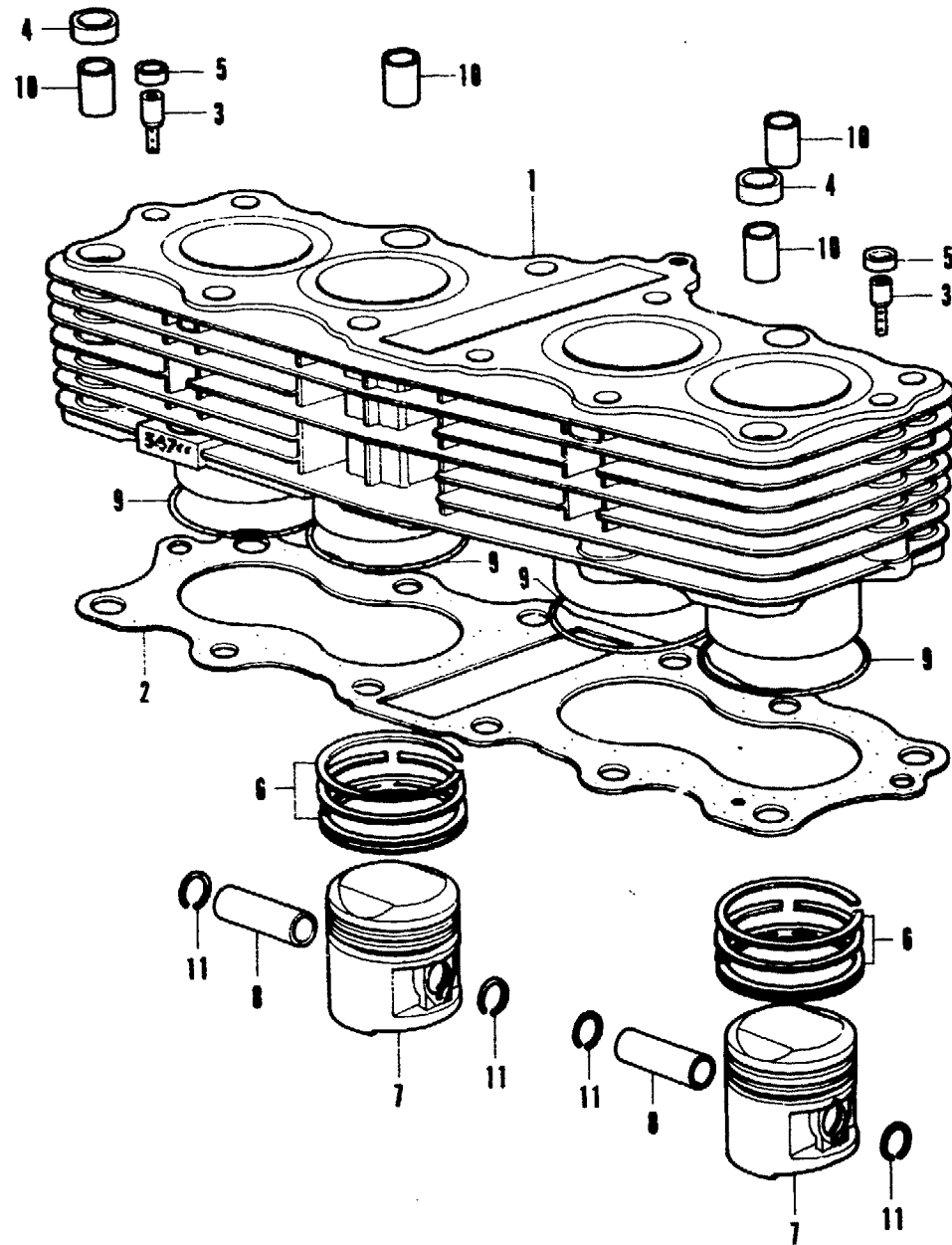


Ref. No.	Part No.	Description	Requ. No. CB350 F F1	Serial No.	Area code
1	14101-333-020	CAMSHAFT	1 1		
2	14431-333-000	ARM, VALVE ROCKER	8 8		
3	14435-333-000	SPRING, ROCKER ARM SIDE	8 8		
4	14451-333-000	SHAFT, VALVE ROCKER ARM	4 4		
5	14711-333-000	VALVE, IN.	4 4		
6	14721-333-000	VALVE, EX.	4 4		
7	14751-333-000	SPRING, VALVE (OUTER)	8	1034531	
	14751-333-010	SPRING, VALVE (OUTER)	8 8	1034532	
8	14761-333-000	SPRING, VALVE (INNER)	8	1034531	
	14761-333-010	SPRING, VALVE (INNER)	8 8	1034532	
9	14771-107-020	RETAINER, VALVE SPRING	8 8		
10	14775-107-000	SEAT, VALVE SPRING OUTER	8 8		
11	14776-107-010	SEAT, VALVE SPRING INNER	8 8		
12	14781-107-020	COTTER, VALVE	16 16		
13	90012-333-000	SCREW, TAPPET ADJUSTING	8 8		
14	90206-001-000	NUT, TAPPET ADJUSTING	8 8		

E-4 Cylinder · Piston



E-4 Cylinder · Piston

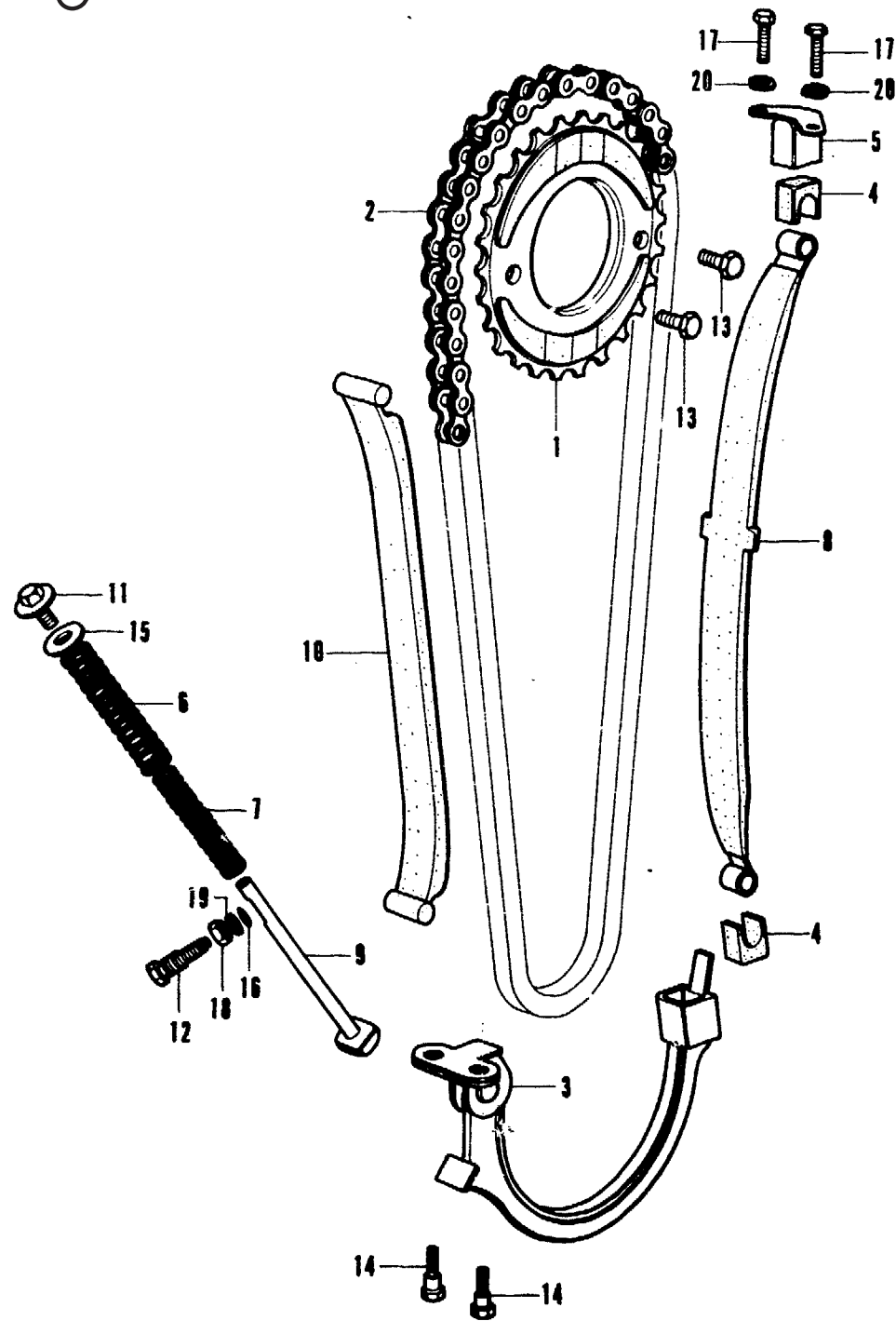


Ref. No.	Part No.	Description	Reqd. No. CB350 F F1	Serial No.	Area code
1	12100-333-030	CYLINDER COMP.	1 1		
2	12191-333-010	GASKET, CYLINDER	1 1		
3	12901-333-000	VALVE, OIL CONTROL DRIFICE	2 2		
4	12909-333-000	GASKET, CYLINDER STUD	2 2		
5	12910-333-000	GASKET, DRIFICE VALVE	2 2		
6	13011-333-003	RING SET, PISTON (STD.) (NIPPON)	4 4		
	13011-333-004	RING SET, PISTON (STD.) (RIKEN)	4 4		
	13011-333-005	RING SET, PISTON (STD.) (TEIKO KU)	4 4		
	13012-333-003	RING SET, PISTON (0.25) (NIPPON)	(4)(4)		
	13012-333-004	RING SET, PISTON (0.25) (RIKEN)	(4)(4)		
	13012-333-005	RING SET, PISTON (0.25) (TEIKOKU)	(4)(4)		
	13013-333-003	RING SET, PISTON (0.50) (NIPPON)	(4)(4)		
	13013-333-004	RING SET, PISTON (0.50) (RIKEN)	(4)(4)		
	13013-333-005	RING SET, PISTON (0.50) (TEIKOKU)	(4)(4)		
	13014-333-003	RING SET, PISTON (0.75) (NIPPON)	(4)(4)		
	13014-333-004	RING SET, PISTON (0.75) (RIKEN)	(4)(4)		
	13014-333-005	RING SET, PISTON (0.75) (TEIKOKU)	(4)(4)		
	13015-333-003	RING SET, PISTON (1.00) (NIPPON)	(4)(4)		
	13015-333-004	RING SET, PISTON (1.00) (RIKEN)	(4)(4)		
	13015-333-005	RING SET, PISTON (1.00) (TEIKOKU)	(4)(4)		
7	13101-333-010	PISTON (STD.)	4 4		
	13102-333-010	PISTON (0.25)	(4)(4)		
	13103-333-010	PISTON (0.50)	(4)(4)		
	13104-333-010	PISTON (0.75)	(4)(4)		
	13105-333-010	PISTON (1.00)	(4)(4)		
8	13111-087-000	PIN, PISTON	4 4		
9	91305-216-000	O-RING, 46X2	4 4		
10	94301-12200	PIN A, DOWEL, 12X20	4 4		
11	94601-13000	CLIP, PISTON PIN, 13MM	8 8		

E-5 Cam chain · Tensioner



E-5 Cam chain · Tensioner



Ref. No.	Part No.	Description	Reqd. No. CB350 F F1	Serial No.	Area code
1	14321-333-000	SPROCKET, CAM	1	1055784	
	14321-354-000	SPROCKET, CAM (32T)	1 1	1055785	
2	14401-333-003	CHAIN, CAM	1 1		
3	14500-333-020	ARM COMP., CAM CHAIN TENSIONER	1 1		
4	14501-323-000	DAMPER, CAM CHAIN TENSIONER	2 2		
5	14530-333-000	HOLDER COMP., CAM CHAIN TENSIONER	1 1		
6	14541-333-020	SPRING, CAM CHAIN TENSIONER OUTER	1 1		
7	14543-333-000	SPRING, CAM CHAIN TENSIONER INNER	1 1		
8	14545-333-000	SLIPPER, CAM CHAIN TENSIONER	1 1		
9	14550-333-000	BAR COMP., CAM CHAIN TENSIONER PUSH	1	1069182	
			1	2002065	
	14550-369-000	BAR COMP., CAM CHAIN TENSIONER PUSH	1	1069183	
	14550-333-000		1 1	2002066	
10	14620-333-000	GUIDE, CAM CHAIN	1 1		
11	25911-500-000	BOLT, OIL CHECK	1 1		
12	90016-286-000	BOLT, TENSIONER SETTING	1 1		
13	90081-246-000	BOLT, HEX. KNOCK, 7X12	2 2		
14	90081-312-000	BOLT, KNOCK, 6X14	2 2		
15	90474-333-000	WASHER, 8MM	1 1		
16	91317-703-000	O-RING, 6X1.7	1 1		
17	92000-06020	BOLT, HEX., 6X20	2	1055175	
	95700-06016-00	BOL, FLANGE, 6X16	2		
	95700-06016	BOLT, FLANGE, 6X16	2	1055176	
18	94002-08000-05	NUT, HEX., 8MM	1 1		
19	94101-06000	WASHER, PLAIN, 6MM	1 1		
20	94111-06000	WASHER, SPRING, 6MM	2	1055175	

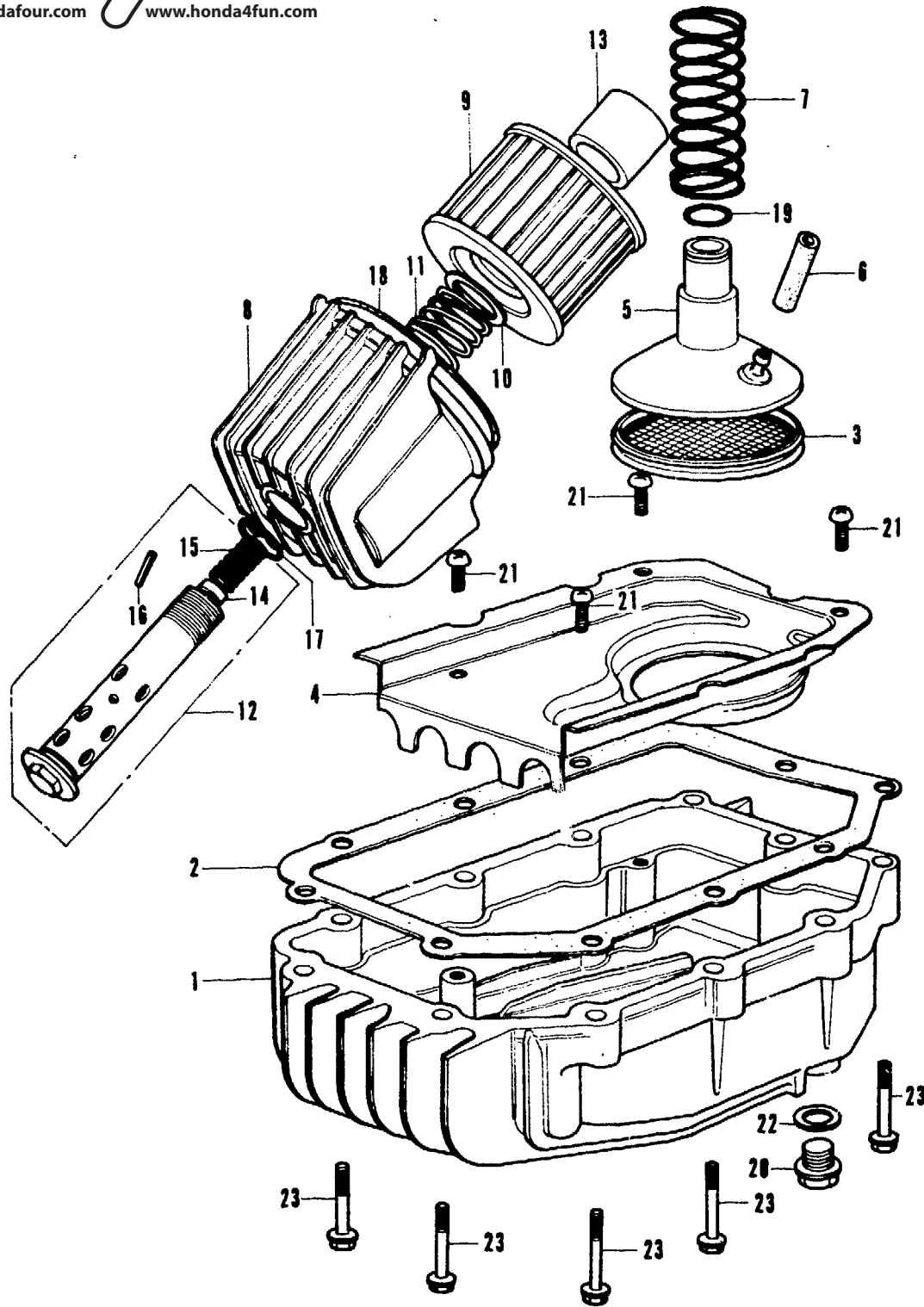


E-6 Oil filter · Oil pan



E-6 Oil filter · Oil Pan

Courtesy of  Honda4Fun  
www.hondafour.com www.honda4fun.com



Ref. No.	Part No.	Description	Reqd. No. CB350 F F1	Serial No.	Area code
1	11210-333-020	PAN, OIL	1 1		
2	11398-333-020	GASKET, OIL PAN	1 1		
3	15151-333-000	SCREEN, OIL STRAINER	1 1		
4	15152-333-000	PLATE, OIL SEPALATOR	1 1		
5	15153-333-000	BODY, OIL SCREEN	1 1		
6	15155-333-000	PIPE, MISSION OIL	1 1		
7	15157-333-000	SPRING, OIL SCREEN SETTING	1 1		
8	15411-333-000	CASE, OIL FILTER	1 1		
9	15412-300-024	ELEMENT, OIL FILTER (TOKYO ROKI)	1 1		
10	15414-300-000	SEAT, OIL FILTER SPRING	1 1		
11	15415-300-000	SPRING, OIL FILTER ELEMENT SET	1 1		
12	15420-333-000	BOLT COMP., OIL FILTER CENTER	1 1		
13	15423-333-000	COLLAR, OIL FILTER BOLT	1 1		
14	15473-300-300	VALVE, CHECK	1 1		
15	15474-300-310	SPRING, CHECK VALVE	1 1		
16	15477-300-300	PIN, SPRING SET	1 1		
17	91302-028-000	O-RING, 15X2.5	1 1		
18	91316-300-003	O-RING, 89X4.5	1 1		
19	91329-590-003	O-RING, 16.5X2	1 1		
20	92800-12000	BOLT, DRAIN PLUG, 12MM	1 1		
21	93500-06012	SCREW, PAN, 6X12	4 4		
22	94109-12000	WASHER, DRAIN PLUG, 12MM	1 1		
23	95700-06040-00	BOLT, FLANGE, 6X40	11 11		

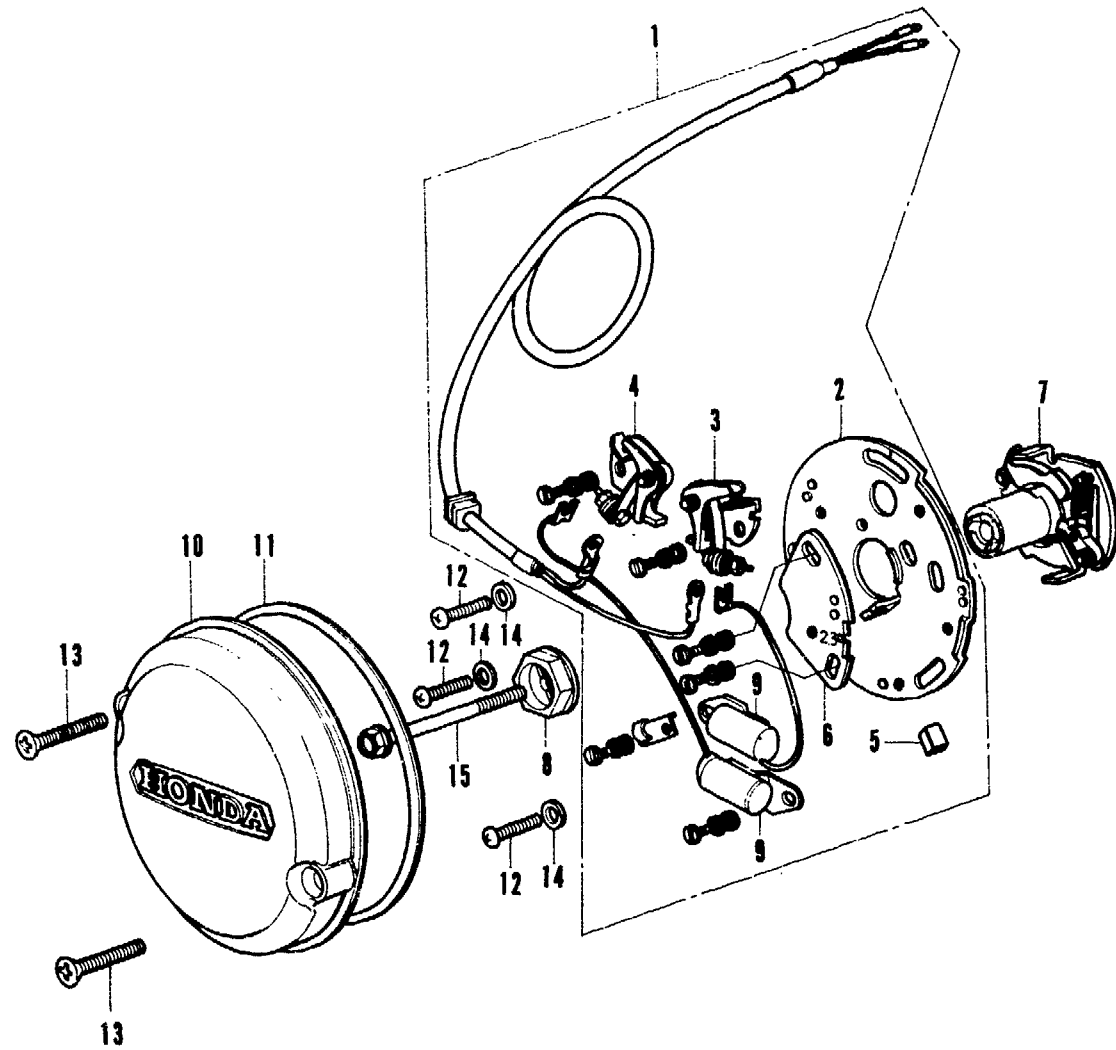
B333-6

Courtesy of  Honda4Fun  
www.hondafour.com www.honda4fun.com

E-7 Contact breaker · Advanser

C 8

E-7 Contact breaker · Advanser



Ref. No.	Part No.	Description	Reqd. No. CB350 F F1	Serial No.	Area code
1	30200-333-004	BREAKER ASSY., CONTACT (ND)	1 1		
2	30201-333-004	PLATE, CONTACT BREAKER BASE (ND)	1 1		
3	30203-333-004	BREAKER, R. CONTACT (ND)	1 1		
4	30204-333-004	BREAKER, L. CONTACT (ND)	1 1		
5	30205-028-004	FELT, OIL (ND)	1 1	1074744 2005085	
	30205-333-004	FELT, OIL (ND)	1 1	1074745 2005086	
6	30215-333-004	PLATE, BREAKER SHIFT (ND)	1 1		
7	30220-333-004	ADVANCER ASSY., SPARK (ND)	1 1		
8	30233-333-000	WASHER, ADVANCER SPECIAL	1 1		
9	30250-333-004	CONDENSER COMP. (ND)	2 2		
10	30370-323-000	COVER COMP., POINT	1 1		
11	30372-300-300	GASKET, POINT COVER	1 1		
12	93500-05014-0A	SCREW, PAN, 5X14	3 3		
13	93700-06030	SCREW, OVAL, 6X30	2 2		
14	94101-05000	WASHER, PLAIN, 5MM	3 3		
15	95800-06055-00	BOLT, FLANGE, 6X55	1 1		

B333-7



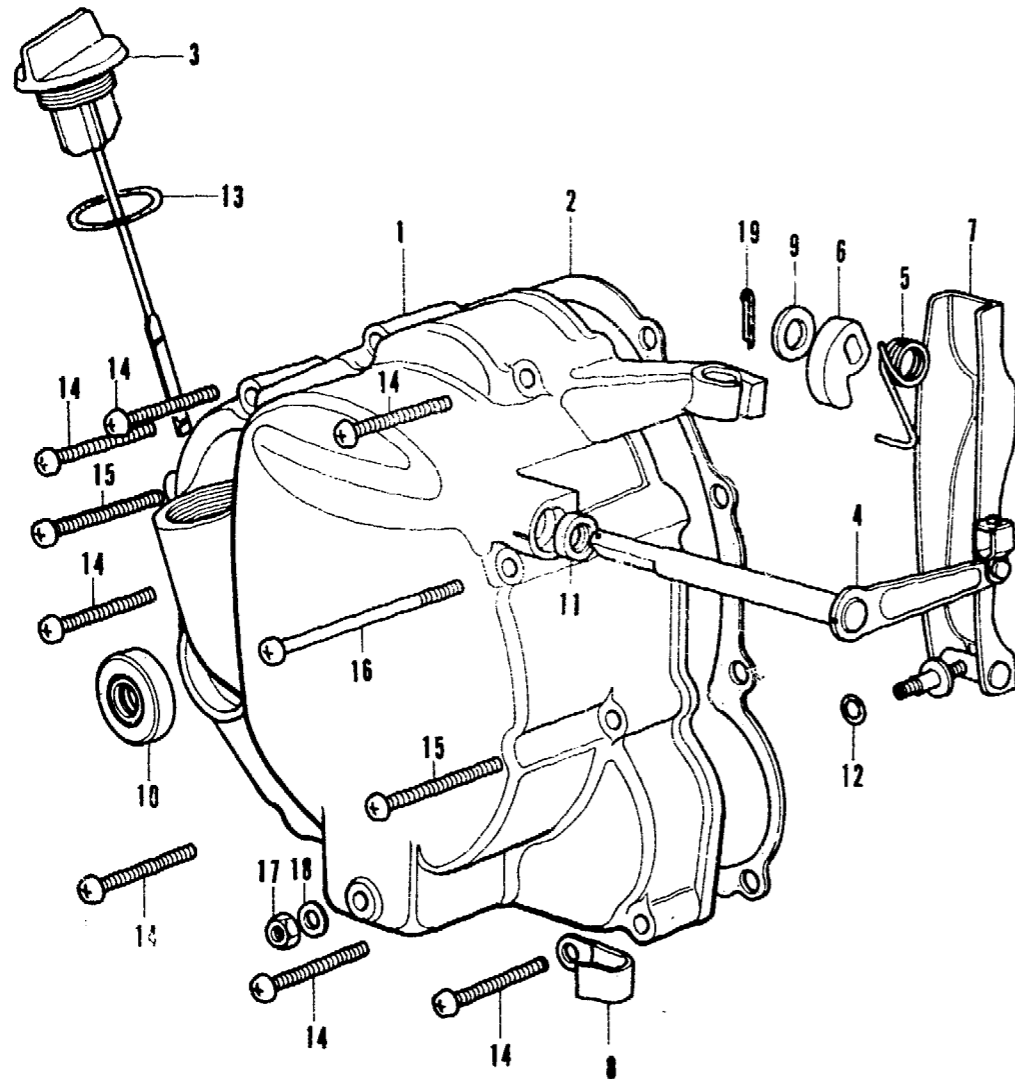


E-8 Right crank case cover - Clutch lever



E-8 Right crank case cover - Clutch lever

Courtesy of  Honda4Fun  
www.hondafour.com www.honda4fun.com



Ref. No.	Part No.	Description	Reqd. No.		Serial No.	Area code
			CB350	F F1		
1	11331-333-030	COVER COMP., R. CRANKCASE	1	1		
2	11394-333-020	GASKET, R. CRANKCASE COVER	1	1		
3	15650-333-000	GAUGE, OIL LEVEL	1	1		
4	22810-333-030	LEVER COMP., CLUTCH	1	1		
5	22815-333-000	SPRING, CLUTCH LEVER RETURN	1	1		
6	22821-107-000	CAM, CLUTCH LIFTER	1	1		
7	22831-333-010	LEVER COMP., CLUTCH ADJUSTING	1	1		
8	32112-333-000	CLAMPER B, CORD	1	1		
9	90471-333-000	WASHER, 10MM	1	1		
10	91204-259-000	OIL SEAL, 16X28X7	1	1		
11	91206-333-003	OIL SEAL, 10X16X4.5	1	1		
12	91301-704-000	O-RING, 6MM	1	1		
13	91354-702-000	O-RING, 23MM	1	1		
14	93500-06040	SCREW, PAN, 6X40	7	7		
15	93500-06055	SCREW, PAN, 6X55	2	2		
16	93500-06090	SCREW, PAN, 6X90	1	1		
17	94001-06000	NUT, HEX., 6MM	1	1		
18	94101-06000	WASHER, PLAIN, 6MM	1	1		
19	94201-20150	PIN, SPLIT, 2.0X15	1	1		

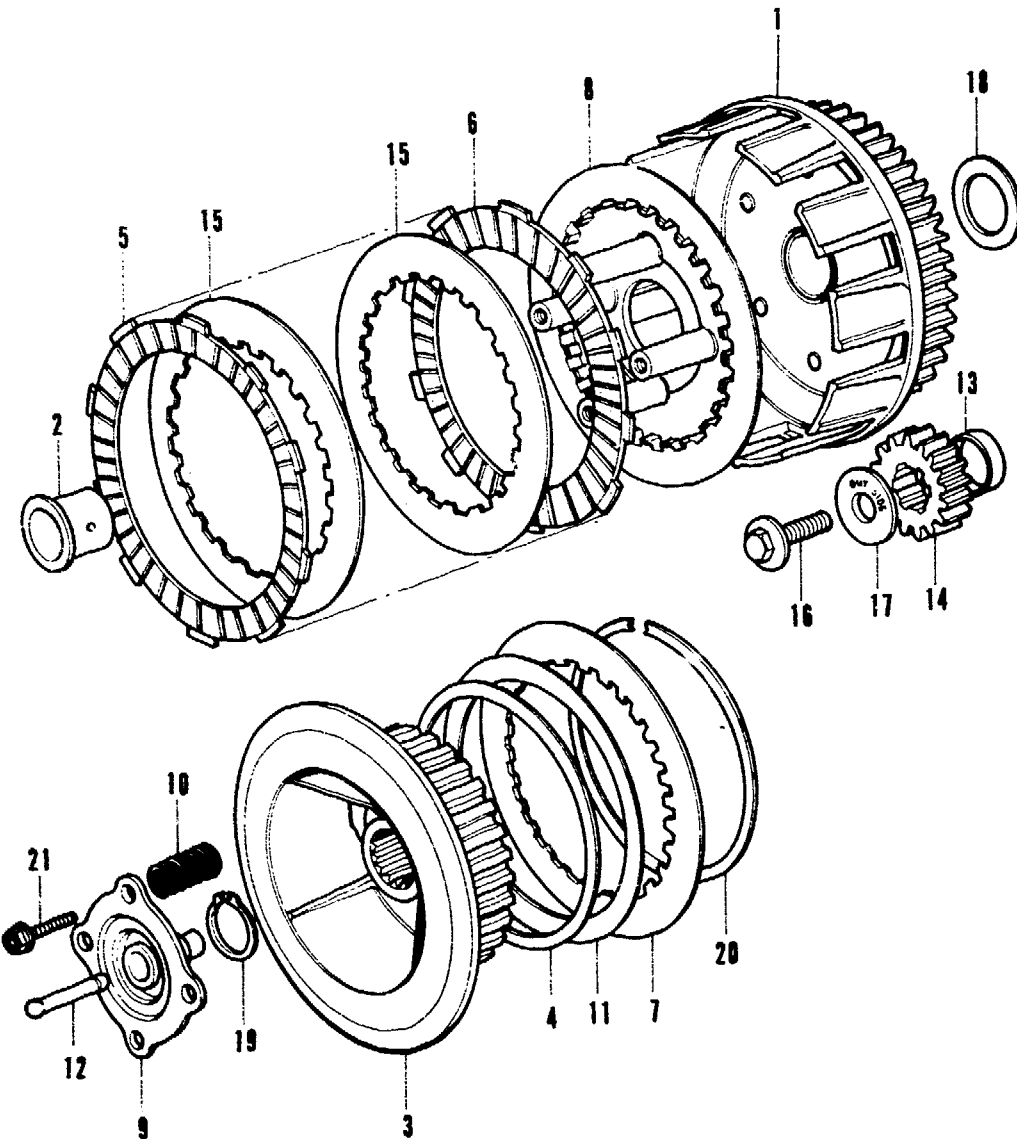
B 333-8

Courtesy of  Honda4Fun  
www.hondafour.com www.honda4fun.com

E-9 Clutch

C 10

E-9 Clutch



Ref. No.	Part No.	Description	Reqd. No. CB350 F F1	Serial No.	Area code
1	22100-333-040	OUTER COMP., CLUTCH	1 1		
2	22116-333-020	COLLAR, 25MM	1 1		
3	22120-333-040	CENTER, CLUTCH	1 1		
4	22125-333-000	SEAT, DISK SPRING	1 1		
5	22201-302-000	DISK, CLUTCH FRICTION	1 1		
6	22201-333-010	DISK, CLUTCH FRICTION 22201-377-000	6 6		
	22201-377-000	DISK, CLUTCH FRICTION	6 6		
7	22321-333-010	PLATE B, CLUTCH	1 1		
8	22350-333-010	PLATE, CLUTCH PRESSURE	1 1		
9	22360-333-010	PLATE, CLUTCH LIFTER	1 1		
10	22401-268-000	SPRING, CLUTCH	4 4		
11	22402-333-003	SPRING, CLUTCH DISK	1 1		
12	22850-333-000	ROD, CLUTCH LIFTER	1 1		
13	23104-333-020	COLLAR, 25X8.5	1 1		
14	23108-333-020	GEAR, SECONDARY DRIVE (23T)	1 1		
15	23311-200-000	PLATE A, CLUTCH	6 6		
16	90013-333-010	BOLT, UBS, 12X30	1 1		
17	90201-333-020	WASHER, PRIMARY SHAFT LOCK	1 1		
18	90455-333-010	WASHER, THRUST, 25MM	1 1		
19	90601-300-000	CIR CLIP, 25MM	1 1		
20	90609-333-000	SET RING, SPECIAL, 92MM	1 1		
21	95700-06020-00	BOLT, FLANGE, 6X20	4 4		



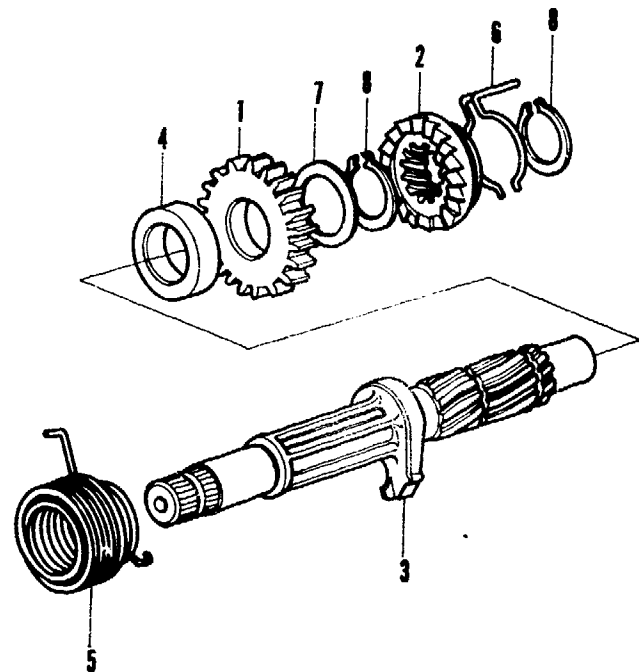
E-10 Kick starter

**C 11**

E-10 Kick starter



Ref. No.	Part No.	Description	Reqd. No. CB350 F F1	Serial No.	Area code
1	28211-333-020	PINION, KICK STARTER	1 1		
2	28221-333-010	RATCHET, KICK STARTER	1 1		
3	28251-333-010	SPINDLE, KICK STARTER	1 1		
4	28259-333-010	COLLAR, KICK SPINDLE	1 1		
5	28261-333-030	SPRING, KICK STARTER	1 1		
6	28271-333-000	SPRING, STARTER PINION FRICTION	1 1		
7	90454-107-000	WASHER, THRUST, 20MM	1 1		
8	90605-200-000	SET RING, 20MM	2 2		

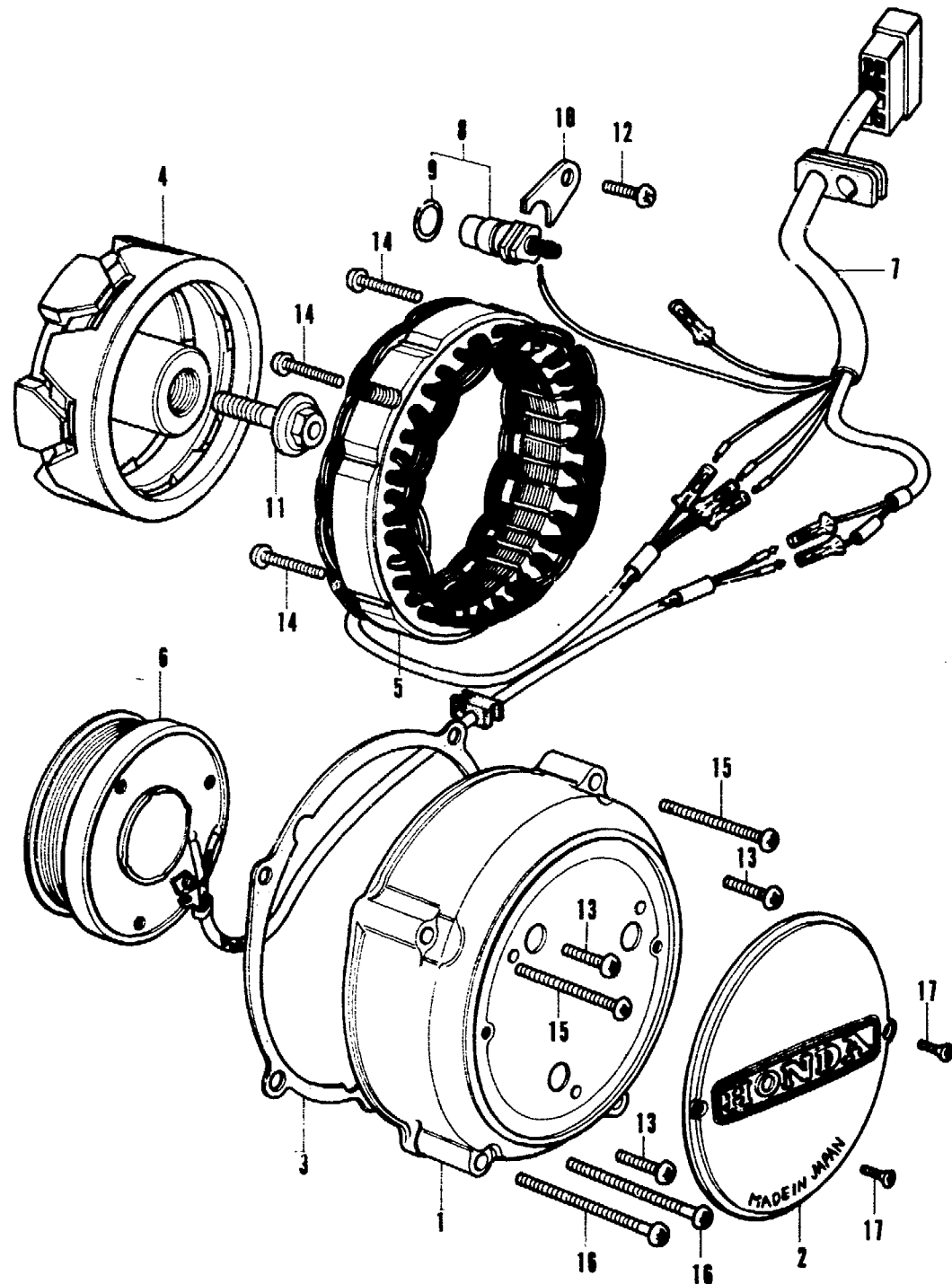


# C 12

## E-11 A.C. generator

## E-11 A.C. generator

Courtesy of  Honda4Fun  
www.hondafour.com www.honda4fun.com



Ref. No.	Part No.	Description	Reqd. No.		Serial No.	Area code
			CB350	F F1		
1	11631-333-010	COVER A, DYNAMO	1	1		
2	11632-333-010	COVER B, DYNAMO	1	1		
3	11691-333-000	GASKET, DYNAMO COVER	1	1		
4	31101-333-004	ROTOR COMP. (ND)	1	1		
5	31102-333-004	STATOR COMP. (ND)	1	1		
6	31103-333-004	COIL COMP., FIELD (ND)	1	1		
7	31110-333-000	HARNESS, A.C. GENERATOR WIRE	1	1		
8	35750-333-013	SWITCH ASSY., NEUTRAL	1		1067277	
	35750-333-023	SWITCH, NEUTRAL (TOYO)	1	1	1067278	
9	35751-333-003	O-RING	1	1		
10	35755-333-010	PLATE, NEUTRAL SWITCH FIXING	1	1		
11	90014-333-000	BOLT, UBS, 10X32	1	1		
12	93500-06012	SCREW, PAN, 6X12	1	1		
13	93500-06016	SCREW, PAN, 6X16	3	3		
14	93500-06032	SCREW, PAN, 6X32	3	3		
15	93500-06040	SCREW, PAN, 6X40	2	2		
16	93500-06055	SCREW, PAN, 6X55	2	2		
17	93700-04012-08	SCREW, DVAL, 4X12	2	2		

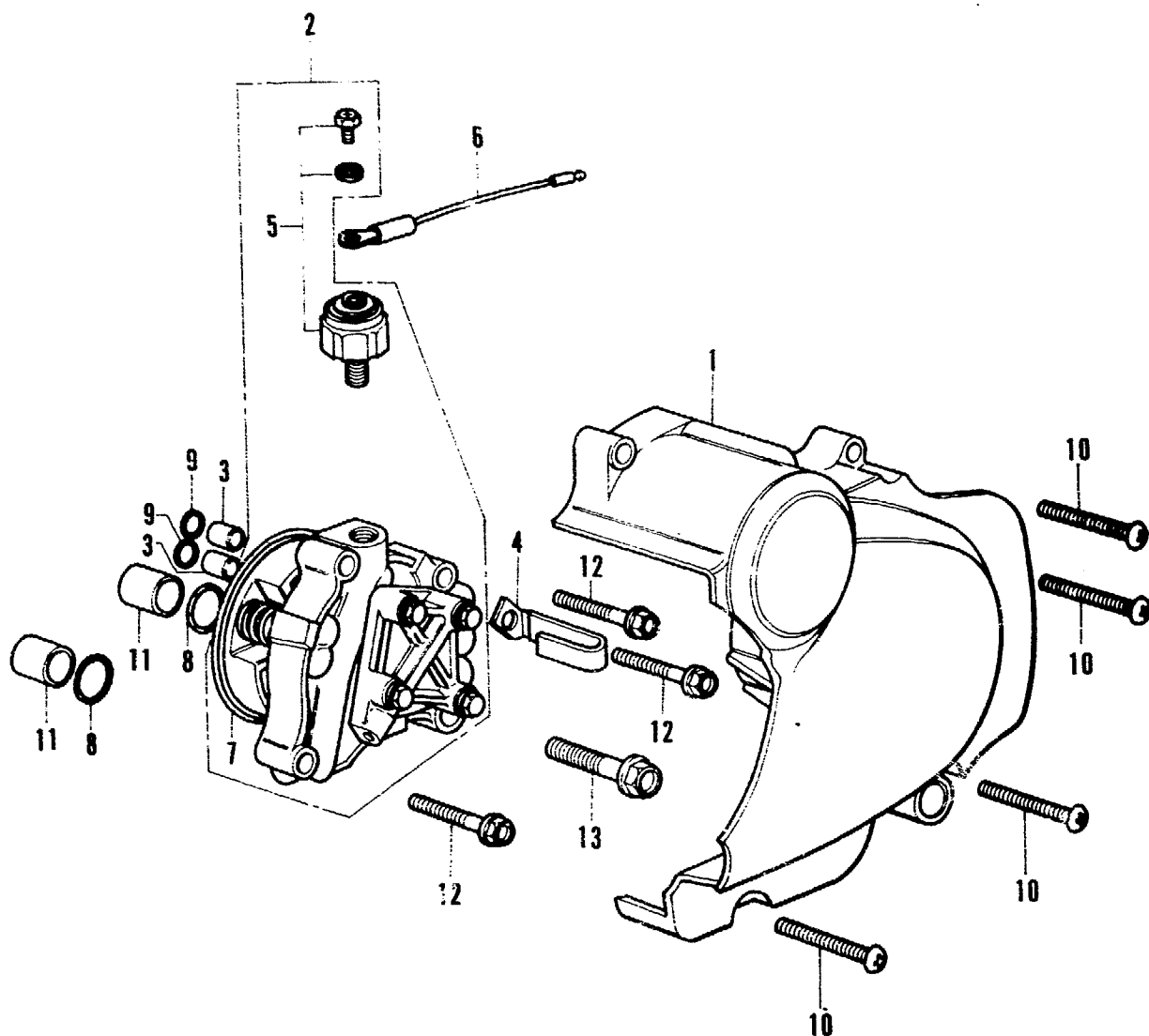
B333-11

Courtesy of  Honda4Fun  
www.hondafour.com www.honda4fun.com

# C 13

## E-12 Left crankcase cover · Oil pump

## E-12 Left crankcase cover · Oil pump



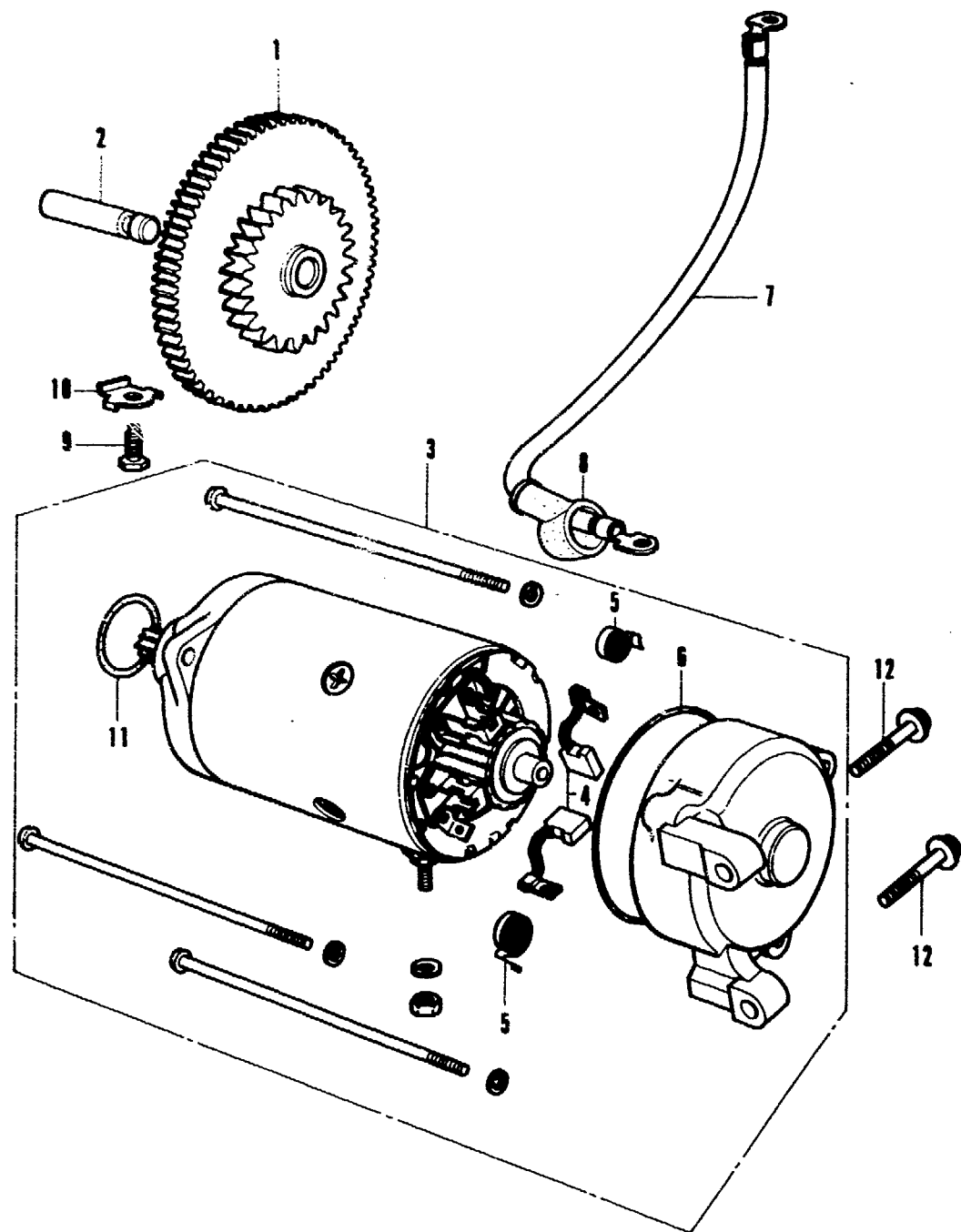
Ref. No.	Part No.	Description	Reqd. No. CB350 F FI	Serial No.	Area code
1	11341-333-000	COVER COMP., L. CRANKCASE 11341-333-010	1	1068282	
	11341-333-010	COVER, L. CRANKCASE	1 1	1068283	
2	15100-333-010	PUMP ASSY., OIL	1 1		
3	15391-333-000	COLLAR, O-RING GUIDE	2 2		
4	32113-333-000	CLAMPER C, CORD	1 1		
5	35500-333-004	SWITCH ASSY., OIL PRESSURE 35500-333-014	1	1065444	
	35500-333-014	SWITCH ASSY., OIL PRESSURE (ND)	1 1	1065445	
6	35510-333-000	CORD, PRESSURE SUB	1 1		
7	41123-516-000	O-RING, 63X2.5	1 1		
8	91302-028-000	O-RING, 15X2.5	2 2		
9	91302-044-010	O-RING, 6.9X1.5	2 2		
10	93500-06035	SCREW, PAN, 6X35	4 4		
11	94301-14200	PIN A, DOWEL, 14X20	2 2		
12	95700-06032-00	BOLT, FLANGE, 6X32	3 3		
13	95700-08032-00	BOLT, FLANGE, 8X32	1 1		

# C 14

## E-13 Starting motor

## E-13 Starting motor

Courtesy of  Honda4Fun  
www.hondafour.com www.honda4fun.com

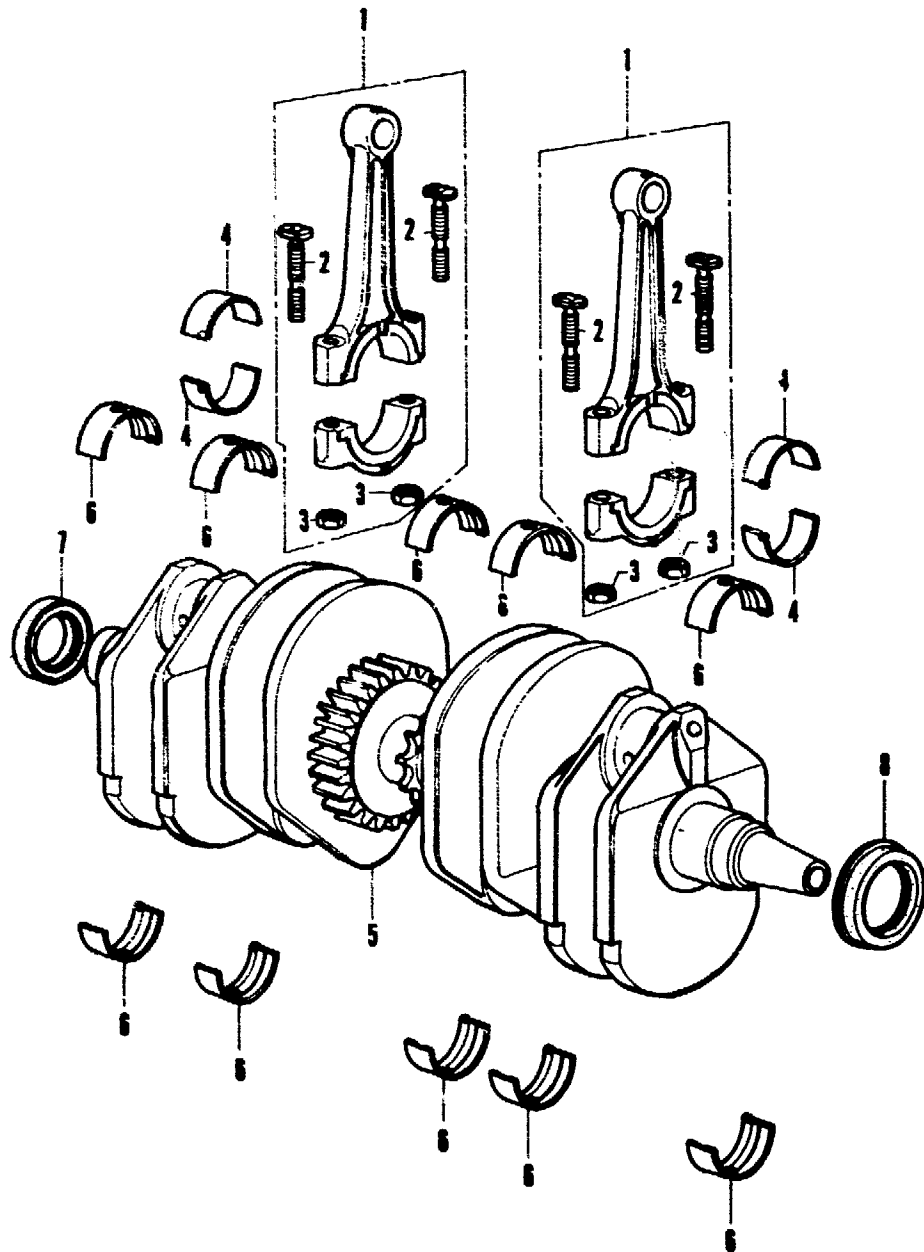


Ref. No.	Part No.	Description	Reqd. No. CB350 F F1	Serial No.	Area code
1	28101-333-000	GEAR, STARTER	1 1		
2	28106-333-000	SHAFT, STARTER REDACTION GEAR	1 1		
3	31200-333-000	MOTOR ASSY., STARTING	1 1		
4	31201-230-174	BRUSH SET, CARBON (MITSUBA)	1 1		
5	31204-225-154	SPRING, CARBON BRUSH (MITSUBA)	2 2		
6	31206-286-158	O-RING (MITSUBA)	1 1		
7	32410-333-000	CABLE, STARTING MOTOR	1 1		
8	32411-253-000	COVER, STARTING MOTOR TERMINAL	1 1		
9	90081-512-010	BOLT, STOPPER, 6MM	1 1		
10	90433-283-000	WASHER, LOCK, 6MM	1 1		
11	91309-300-000	O-RING, 24.4X3.1	1 1		
12	95700-06028-00	BOLT, FLANGE, 6X28	2 2		

E-14 Crankshaft

**C 15**

E-14 Crankshaft



Ref. No.	Part No.	Description	Reqd. No. CB350 F F1	Serial No.	Area code
1	13210-333-002	ROD COMP. B; CONNECTING 13210-333-003	N N		
	13210-333-003	ROD COMP. C; CONNECTING	N N		
	13210-333-004	ROD COMP. D; CONNECTING	N N		
	13210-333-005	ROD COMP. E; CONNECTING 13210-333-005	N N		
2	13213-333-003	BOLT; CONNECTING ROD (TOKAI)	8 8		
3	13214-300-000	NUT; CONNECTING ROD	8 8		
4	13215-333-003	BEARING A; CONNECTING ROD (DAIDO)	N N		
	13216-333-003	BEARING B; CONNECTING ROD (DAIDO)	N N		
	13217-333-003	BEARING C; CONNECTING ROD (DAIDO)	N N		
	13218-333-003	BEARING D; CONNECTING ROD (DAIDO)	N N		
	13219-333-003	BEARING E; CONNECTING ROD (DAIDO)	N N		

Selection table of connecting rod big end bearing

Crank pin allowance		A		B		C	
		32φ +0 -0.010	Clearance (μ)	32φ -0.010 -0.020	Clearance (μ)	32φ -0.020 -0.030	Clearance (μ)
Connecting rod allowance	1	35φ +0.008 -0	(E) (RED)	18-44	(D) (YELLOW)	20-46	(C) (GREEN)
	2	35φ +0.016 +0.008	(D) (YELLOW)	18-44	(C) (GREEN)	20-46	(B) (BROWN)
	3	35φ +0.024 +0.016	(C) (GREEN)	18-44	(B) (BROWN)	20-46	(A) (BLACK)

5	13300-333-010	CRANKSHAFT COMP.	1 1		
6	13314-333-003	BEARING A; CRANKSHAFT (DAIDO)	N N		
	13315-333-003	BEARING A; CRANKSHAFT (DAIDO)	N N		
	13316-333-003	BEARING B; CRANKSHAFT (DAIDO)	N N		
	13317-333-003	BEARING C; CRANKSHAFT (DAIDO)	N N		
	13318-333-003	BEARING D; CRANKSHAFT (DAIDO)	N N		
	13319-333-003	BEARING E; CRANKSHAFT (DAIDO)	N N		

Selection table of crankshaft journal main bearing

Crankshaft journal allowance		1		2		3	
		32φ +0 -0.010	Clearance (μ)	32φ -0.010 -0.020	Clearance (μ)	32φ -0.020 -0.030	Clearance (μ)
Crankcase allowance	A	35φ +0.078 -0	(D) (YELLOW)	20-46	(C) (GREEN)	22-48	(B) (BROWN)
	B	35φ +0.016 +0.008	(C) (GREEN)	20-46	(B) (BROWN)	22-48	(A) (BLACK)
	C	35φ +0.024 +0.016	(B) (BROWN)	20-46	(A) (BLACK)	22-48	(AA) (BLUE)

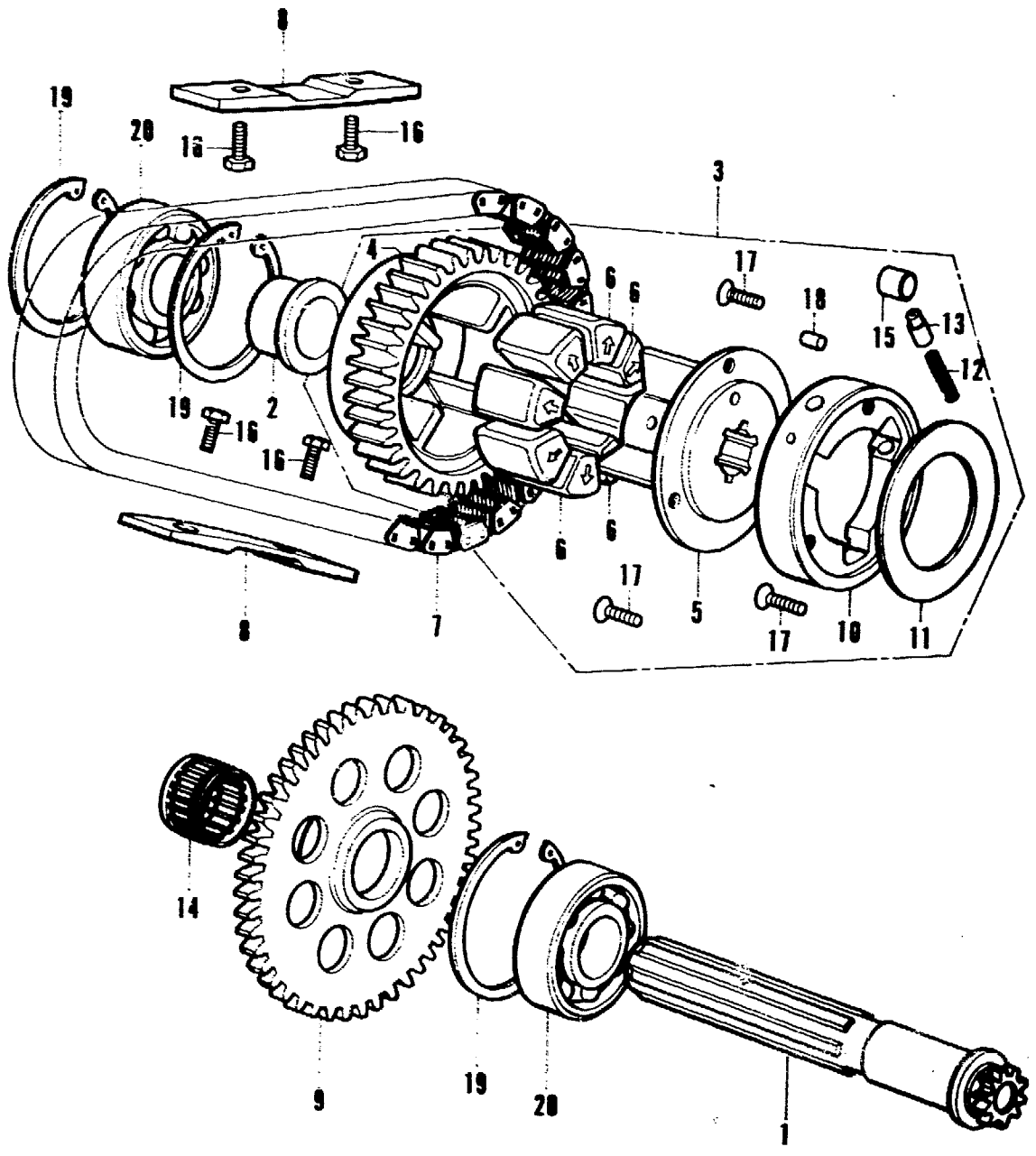
7	91201-300-003	OIL SEAL; 30X42X8	1 1		
8	91201-323-005	OIL SEAL; 30X45X8	1 1		

# C 16

## E-15 Primary shaft · Chain

## E-15 Primary shaft · Chain

Courtesy of  Honda4Fun  
www.hondafour.com www.honda4fun.com



Ref. No.	Part No.	Description	Reqd. No.		Serial No.	Area code
			CB350	F F1		
1	23101-333-030	SHAFT, PRIMARY	1	1		
2	23102-333-010	COLLAR, 25X21.8	1	1		
3	23110-333-000	SPROCKET, PRIMARY DRIVEN	1	1		
4	23111-333-000	SPROCKET, PRIMARY DRIVEN	2	1		
5	23112-333-000	HUB, DRIVEN SPROCKET	1	1		
6	23114-323-000	RUBBER, DAMPER	8	8		
7	23131-323-000	CHAIN, PRIMARY DRIVE	1	1		
8	23132-333-010	GUIDE, PRIMARY CHAIN	2	2		
9	28111-333-310	GEAR, STARTING DRIVEN	1	1		
10	28120-333-000	OUTER, STARTING CLUTCH		1		
	28121-333-300	BODY, CLUTCH OUTER 28120-333-000		1		
11	28122-333-300	PLATE, OUTER SIDE	1	1		
12	28125-253-020	SPRING, STARTING CLUTCH ROLLER	3	3		
13	28126-253-030	CAP, STARTING CLUTCH ROLLER SPRING	3	3		
14	91007-323-000	BEARING, NEEDLE, 25X29X17	1	1		
15	91101-253-020	ROLLER, 10.2X9.5	3	3		
16	92000-06012	BOLT, HEX., 6X12	4	4		
17	93600-06014	SCREW, FLAT, 6X14	3	3		
18	94302-06100	PIN B, DOWEL, 6X10	1	1		
19	94520-52000	CIR CLIP, INTERNAL, 52	3	3		
20	96100-62050	BEARING, RADIAL BALL, 6205	2	2		

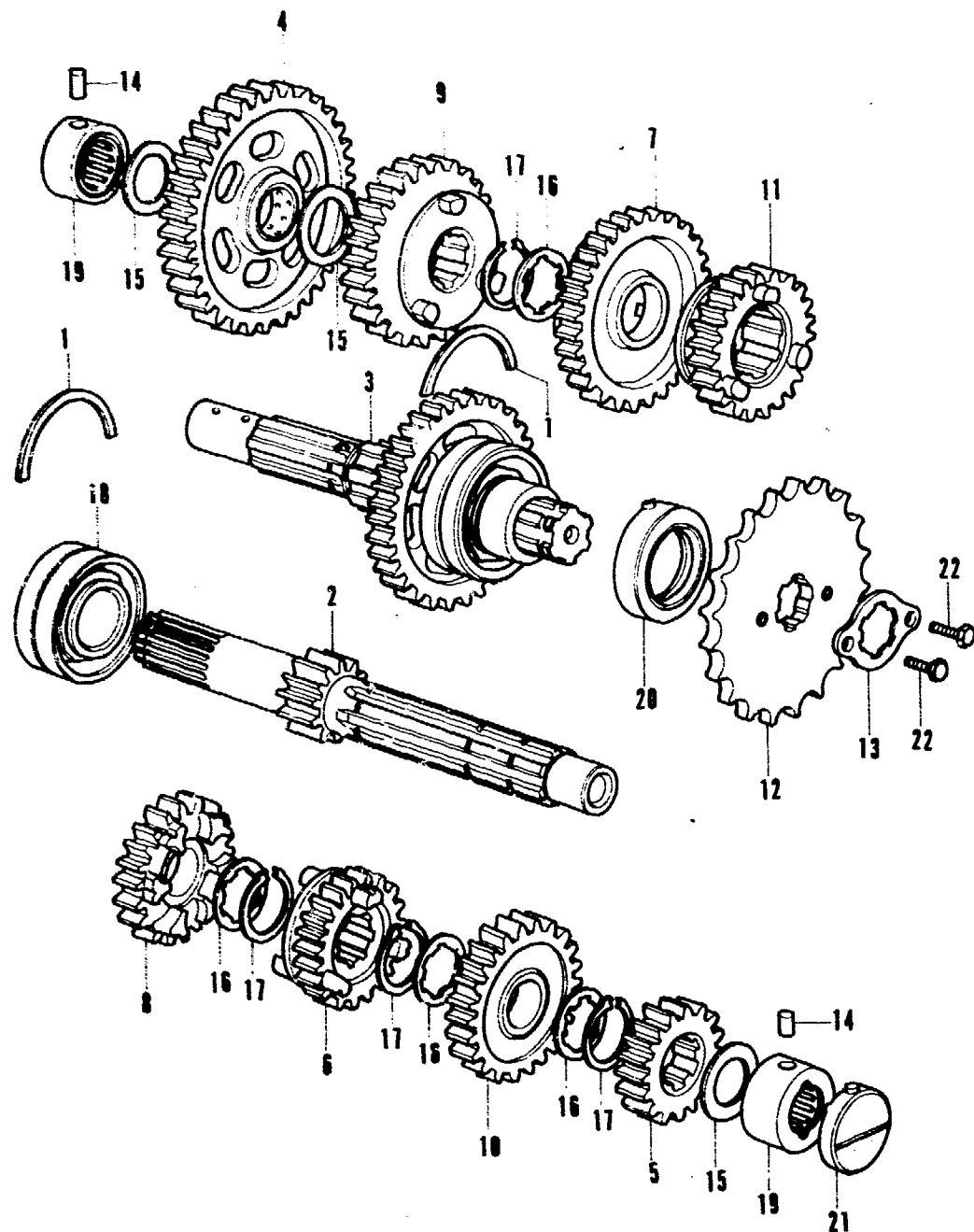
B333-15

Courtesy of  Honda4Fun  
www.hondafour.com www.honda4fun.com



## E-16 Transmission

## E-16 Transmission

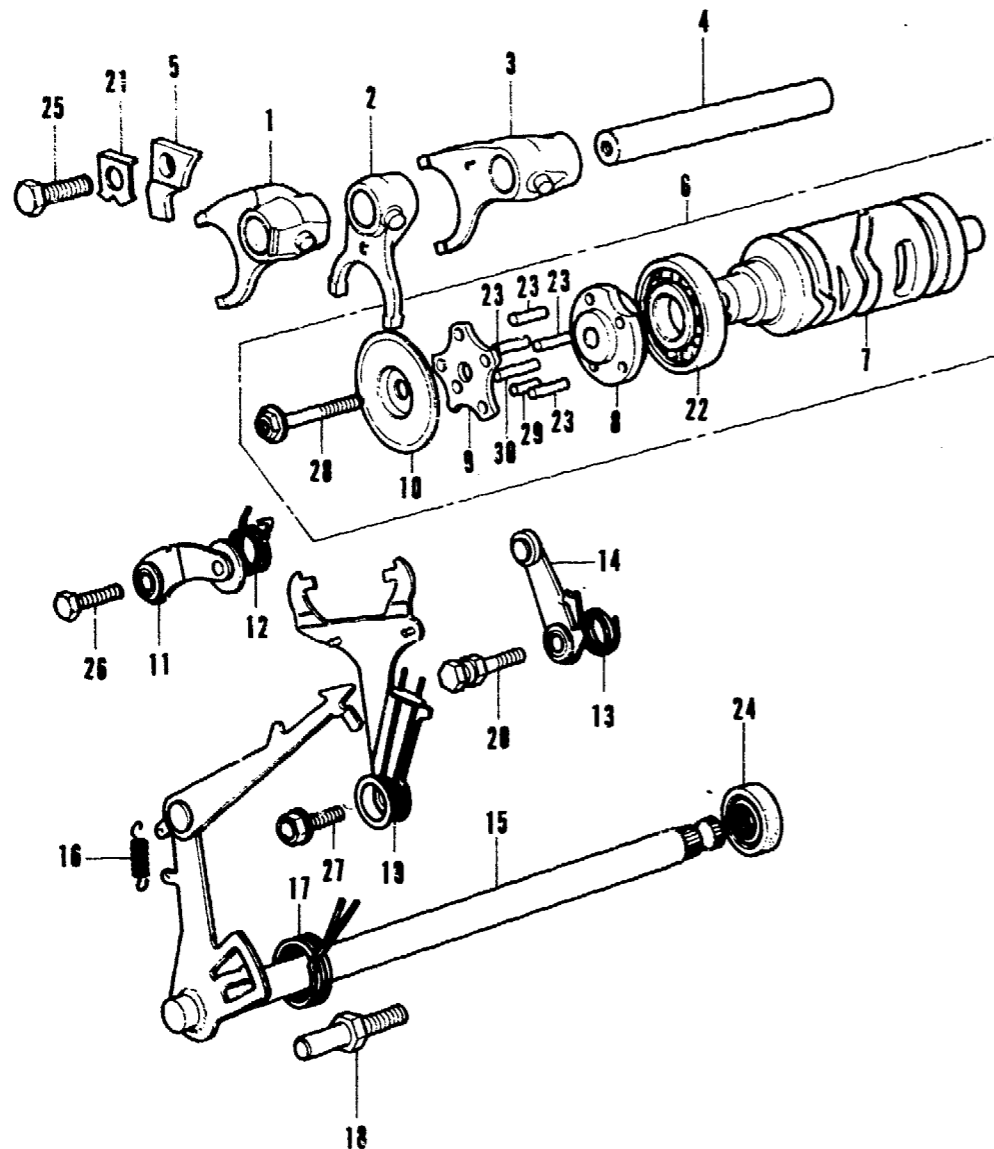


Ref. No.	Part No.	Description	Reqd. No.		Serial No.	Area code
			CB350	F F1		
1	13492-283-000	RING, BEARING SET, 52MM	2	2		
2	23211-333-030	SHAFT, TRANSMISSION MAIN	1	1		
3	23220-333-010	SHAFT, TRANSMISSION COUNTER	1	1		
4	23420-333-000	GEAR, COUNTER SHAFT LOW	1	1		
5	23431-333-010	GEAR, MAINSHAFT SECOND	1	1		
6	23451-333-000	GEAR, MAINSHAFT THIRD	1	1		
7	23461-333-010	GEAR, COUNTERSHAFT THIRD	1	1		
8	23471-333-000	GEAR, MAINSHAFT FOURTH	1	1		
9	23481-333-000	GEAR, COUNTERSHAFT FOURTH	1	1		
10	23491-333-020	GEAR, MAINSHAFT FIFTH	1	1		
11	23501-333-000	GEAR, COUNTERSHAFT FIFTH	1	1		
12	23801-333-000	SPROCKET, DRIVE (17T)	1	1		
13	23811-292-000	PLATE, DRIVE SPROCKET FIXING	1	1		
14	24261-283-000	PIN, GEARSHIFT FORK GUIDE	2	2		
15	90411-333-000	WASHER, 20MM	3	3		
16	90451-300-000	WASHER, THRUST, 25MM	4	4		
17	90601-300-000	AIR CLIP, 25MM	4	4		
18	91002-286-008	BEARING, BALL, 5205HS (TOYO)	1	1		
19	91022-333-018	BEARING, NEEDLE, 20MM (TOYO)	2	2		
20	91205-333-005	OIL SEAL, 34X52X13.5X15.5	1	1		
21	91207-333-000	OIL SEAL, 34X9	1	1		
22	92000-06012	BOLT, HEX., 6X12	2	2		

**E-17 Gear shift drum**

**E-17 Gear shift drum**

Courtesy of  Honda4Fun  
www.hondafour.com www.honda4fun.com



Ref. No.	Part No.	Description	Reqd. No. CB350 F F1	Serial No.	Area code
1	24211-333-020	FORK, R. GEARSHIFT	1 1		
2	24216-333-020	FORK, CENTER GEARSHIFT	1 1		
3	24221-333-020	FORK, L. GEARSHIFT	1 1		
4	24226-333-020	SHAFT, SHIFT FORK GUIDE	1 1		
5	24231-333-010	PLATE, GUIDE SHAFT SET	1 1		
6	24300-333-000	DRUM ASSY., GEARSHIFT	1 1		
7	24301-333-010	DRUM, GEARSHIFT	1 1		
8	24304-333-030	CENTER, GEARSHIFT DRUM	1 1		
9	24321-333-010	PLATE, DRUM STOPPER	1 1		
10	24326-300-000	PLATE, GEARSHIFT SIDE	1 1		
11	24430-333-000	STOPPER COMP., GEARSHIFT DRUM	1 1		
12	24435-333-000	SPRING, SHIFT DRUM STOPPER	1 1		
13	24436-333-010	SPRING, NEUTRAL STOPPER	1 1		
14	24440-333-000	ARM COMP., NEUTRAL STOPPER	1 1		
15	24610-333-010	SPINDLE COMP., GEARSHIFT	1 1		
16	24641-333-000	SPRING, GEARSHIFT ARM 24641-216-000	1 1	1072422 2003870	
	24641-216-000	SPRING, GEARSHIFT ARM	1 1	1072423 2003871	
17	24651-333-000	SPRING, GEARSHIFT RETURN	1 1		
18	24652-035-000	PIN, SHIFT RETURN SPRING	1 1		
19	24660-333-020	STOPPER COMP., POSITIVE	1 1		
20	24667-333-020	PIN, RETURN SPRING, 6 MM	1 1		
21	90435-333-000	WASHER, TONGUED, 8 MM	1 1		
22	91001-235-300	BEARING, RADIAL BALL, 16004	1 1		
23	91101-333-000	ROLLER, 4X16.8	4 4		
24	91206-286-005	OIL SEAL, 14X28X7	1 1		
	91206-286-013	OIL SEAL, 14X28X7	1 1		
25	92000-08020-0A	BOLT, HEX., 8X20	1 1		
26	92100-06020	BOLT, HEX., 6X20	1 1		
27	95700-06016-00	BOLT, FLANGE, 6X16	1 1		
28	95700-06032-00	BOLT, FLANGE, 6X32	1 1		
29	96220-40118	ROLLER, 4X11.8	1 1		
30	96220-40218	ROLLER, 4X21.8	1 1		

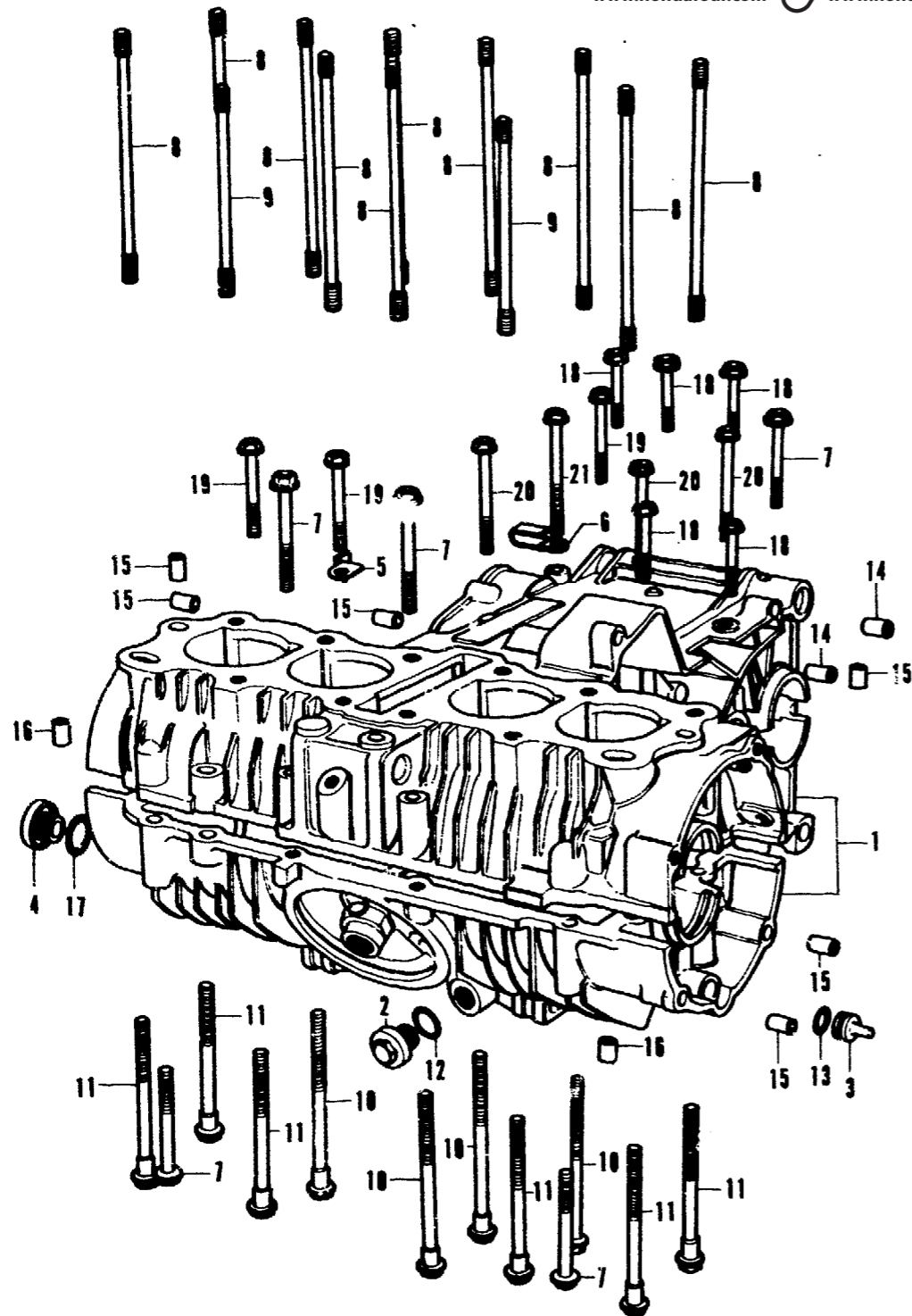
Courtesy of  Honda4Fun  
www.hondafour.com www.honda4fun.com

E-18 Crankcase



E-18 Crankcase

Courtesy of  Honda4Fun  
www.honda4fun.com www.honda4fun.com



Ref. No.	Part No.	Description	Reqd. No. CB350 F F1	Serial No.	Area code
1	11000-333-305	CRANKCASE SET	1 1		
2	11208-333-000	CAP, OIL PATH	1 1		
3	11291-333-000	PLUG, OIL PATH	1 1		
4	15331-300-000	CAP, OIL PATH	1 1	1069188 2002230	
	15332-300-000	CAP B, OIL PATH	1 1	1069189 2002231	
5	32111-333-000	CLAMPER A, CORD	1 1		
6	32112-333-000	CLAMPER B, CORD	1 1		
7	90017-333-000	BOLT, FLANGE, 8X60	5 5		
8	90031-333-000	STUD A, CYLINDER, 8X154	10 10		
9	90032-333-000	STUD B, CYLINDER, 8X122	2 2		
10	90082-333-000	BOLT, UBS, 8X115 90045-329-000	4	1055175	
	90045-329-000	BOLT, UBS, 8X114	4 4	1055176	
11	90086-333-000	BOLT, UBS, 8X97	6 6		
12	91314-220-000	O-RING, 16.4X2.4	1 1		
13	91319-300-000	O-RING, 13X2.5	1 1		
14	94301-08100	PIN A, DOWEL, 8X10	2 2		
15	94301-08140	PIN A, DOWEL, 8X14	6 6		
16	94301-10140	PIN A, DOWEL, 10X14	2 2		
17	94608-40000	O-RING, 19.4X2.8	1 1		
18	95700-06040-00	BOLT, FLANGE, 6X40	5 5		
19	95700-06060-00	BOLT, FLANGE, 6X60	3 3		
20	95700-06090-00	BOLT, FLANGE, 6X90	3 3		
21	95700-06100-00	BOLT, FLANGE, 6X100	1 1		

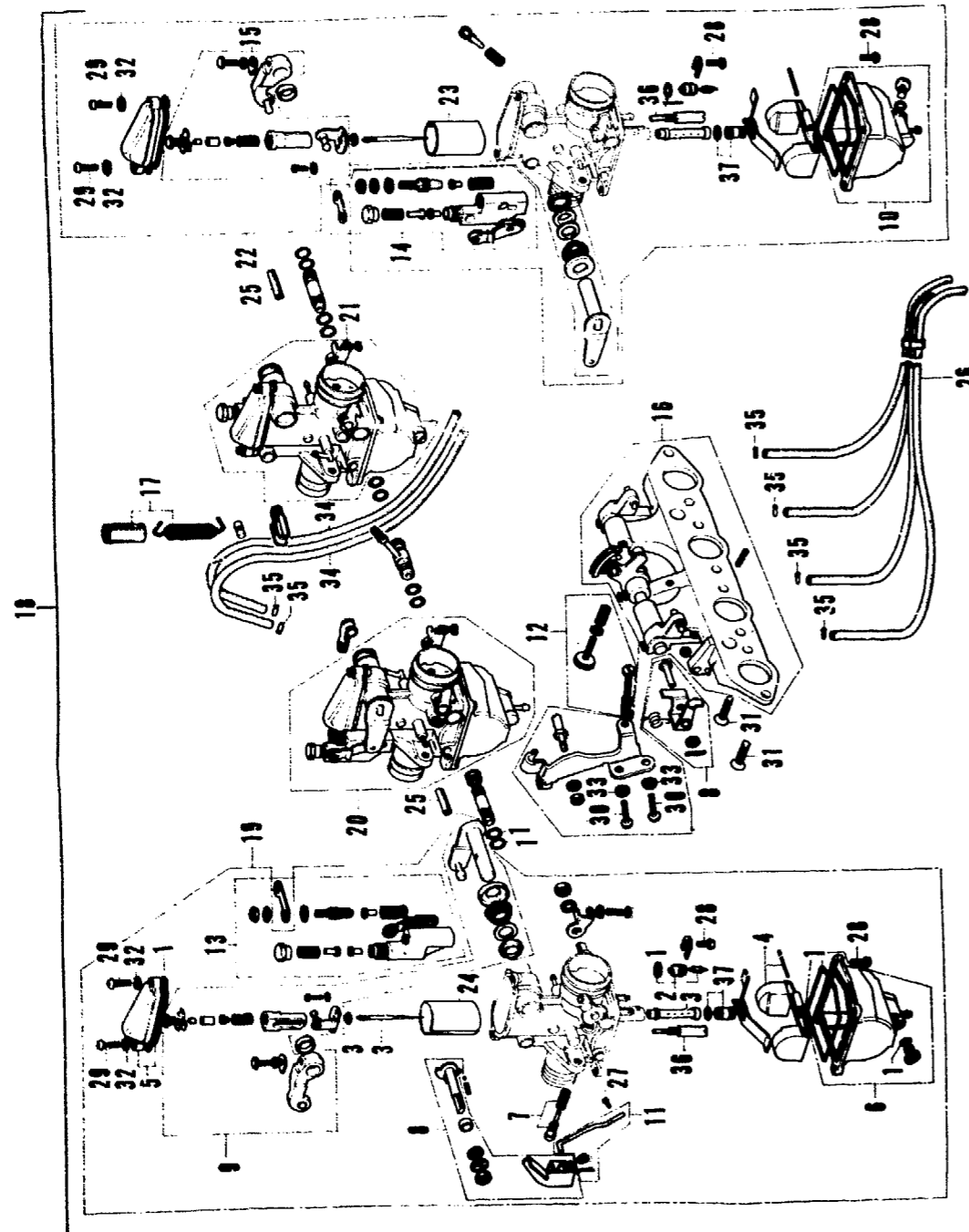
Courtesy of  Honda4Fun  
www.honda4fun.com www.honda4fun.com

E-19 Carburetor (KEIHIN)



E-19 Carburetor (KEIHIN)

Courtesy of  Honda4Fun  
www.hondafour.com www.honda4fun.com



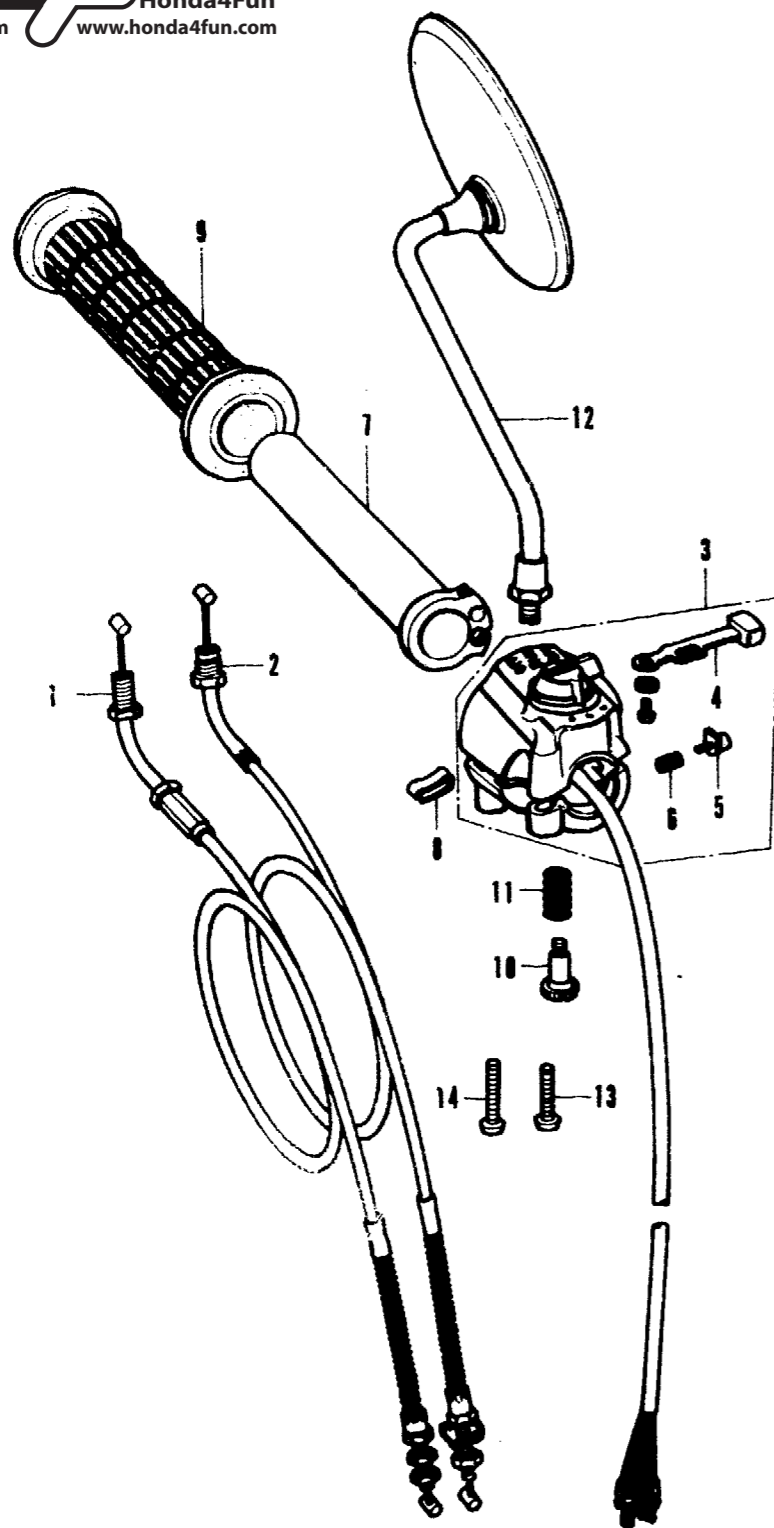
Ref. No.	Part No.	Description	Reqd. No. CB350 F FI	Serial No.	Area code
1	16010-333-004	GASKET SET	4 4		
2	16011-329-004	VALVE SET; FLOAT	4 4		
3	16012-333-004	NEEDLE SET; JET	4 4		
4	16013-333-004	FLOAT SET	4 4		
5	16014-333-004	TOP SET	4 4		
6	16015-333-004	CHAMBER SET A; FLOAT	2 2		
7	16016-333-004	SCREW SET A	4 4		
8	16017-333-004	LINK SET	1 1		
9	16018-333-004	ARM SET; LINK	2 2		
10	16023-333-004	CHAMBER SET B; FLOAT	2 2		
11	16025-333-004	ROD SET; CHOKE	1 1		
12	16028-333-004	SCREW SET B	1 1		
13	16029-323-004	HOLDER SET A; ADJUST	2 2		
14	16030-323-004	HOLDER SET B; ADJUST	2 2		
15	16031-333-004	ARM SET B; LINK	2 2		
16	16035-333-004	PLATE SET; STAY	1 1		
17	16036-323-004	TUBE SET; PROTECT	1 1		
18	16100-333-004	CARBURETOR ASSY. (KEIHIN)	1 1		
19	16101-333-004	CARBURETOR ASSY. A	1 1		
20	16102-333-004	CARBURETOR ASSY. B	1 1		
21	16103-333-004	CARBURETOR ASSY. C	1 1		
22	16104-333-004	CARBURETOR ASSY. D	1 1		
23	16111-333-004	VALVE A; THROTTLE	2 2		
24	16112-333-004	VALVE B; THROTTLE	2 2		
25	16199-333-004	TUBE; FUEL; 2.5X16	2 2		
26	16290-333-000	TUBE; OVER FLOW	1 1		
27	93500-03006-0A	SCREW; PAN; 3X6	1 1		
28	93500-04010-0A	SCREW; PAN; 4X10	20 20		
29	93500-05016-0A	SCREW; PAN; 5X16	8 8		
30	93500-06016	SCREW; PAN; 6X16	2 2		
31	93600-06016	SCREW; FLAT; 6X16	8 8		
32	94111-05000	WASHER; SPRING; 5MM	8 8		
33	94111-06000	WASHER; SPRING; 6MM	2 2		
34	95001-35600-40	TUBE; FUEL; 3.5X600	2 2		
35	95002-02070	CLIP B7; TUBE	6 6		
36	99124-076-0350	JET; SLOW (#35)	4 4		
	99124-076-0380	JET; SLOW; #38	(4)(4)		
37	99202-601-0680	JET SET; MAIN (#68)	(4)(4)		
	99202-601-0700	JET SET; MAIN (#70)	(4)(4)		
	99202-601-0720	JET SET; MAIN (#72)	(4)(4)		
	99202-601-0750	JET SET; MAIN (#75)	4 4		
	99202-601-0780	JET SET; MAIN (#78)	(4)(4)		
	99202-601-0800	JET SET; MAIN (#80)	(4)(4)		

# D 5

## F-1 Right handle switch · Cable

## F-1 Right handle switch · Cable

Courtesy of  Honda4Fun  
www.hondafour.com www.honda4fun.com



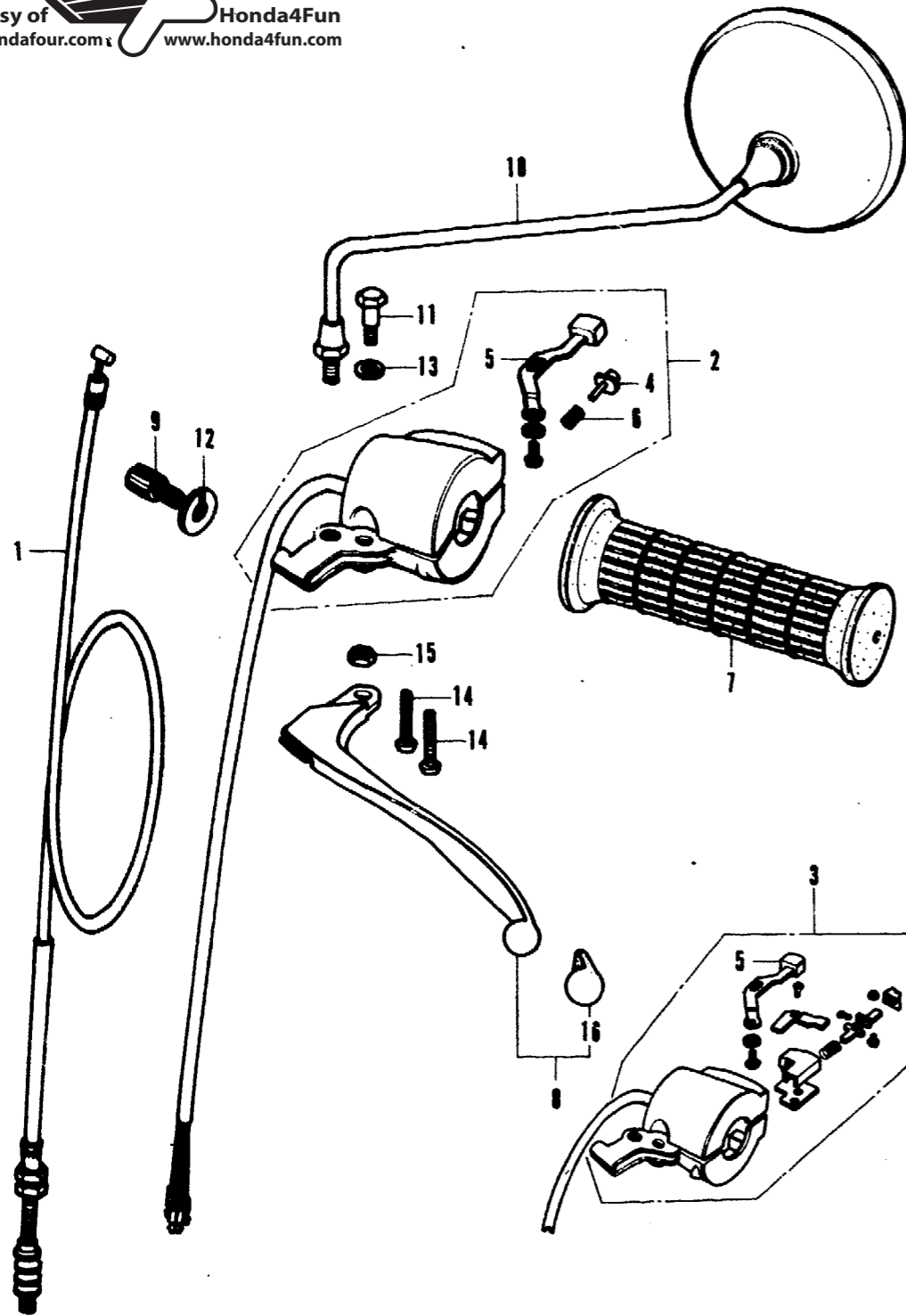
Ref. No.	Part No.	Description	Reqd. No. CB350 F F1	Serial No.	Area code
1	17910-333-000	CABLE COMP. A, THROTTLE	1 1		A,D,ED,IT
	17910-333-610	CABLE COMP. A, THROTTLE	1		F,G
2	17920-333-000	CABLE COMP. B, THROTTLE	1 1		A,D,ED,IT
	17920-333-610	CABLE COMP. B, THROTTLE	1		F,G
3	35300-333-610	SWITCH ASSY., LIGHTING DIMMER KILL	1		ED,F,G,IT
	35300-333-671	SWITCH ASSY., LIGHTING DIMMER KILL	1		A,D
4	35315-235-000	KNOB, LIGHTING SWITCH	1 1		
5	35317-001-310	BUTTON, HORN SWITCH PUSH	1 1		
6	35318-259-000	SPRING, HORN PUSH BUTTON	1 1		
7	53141-300-010	PIPE, THROTTLE GRIP	1 1		
8	53163-300-020	ADJUSTER, THROTTLE GRIP	1 1		
9	53165-342-670	RUBBER, R. GRIP	1 1		
10	53190-300-000	BOLT, THROTTLE GRIP ADJUST	1 1		
11	53191-300-000	SPRING, THROTTLE ADJUST	1 1		
12	88100-333-004	MIRROR, R. BACK	1 1		A,D
	88100-333-610	MIRROR, R. BACK	1		ED,G,IT
	88110-304-621	MIRROR, R. BACK	1		F
13	93500-05025-0A	SCREW, PAN, 5X25	1 1		
14	93500-05032-0A	SCREW, PAN, 5X32	1 1		

F-2 Left handle switch · Cable



F-2 Left handle switch · Cable

Courtesy of  Honda4Fun  
www.hondafour.com www.honda4fun.com



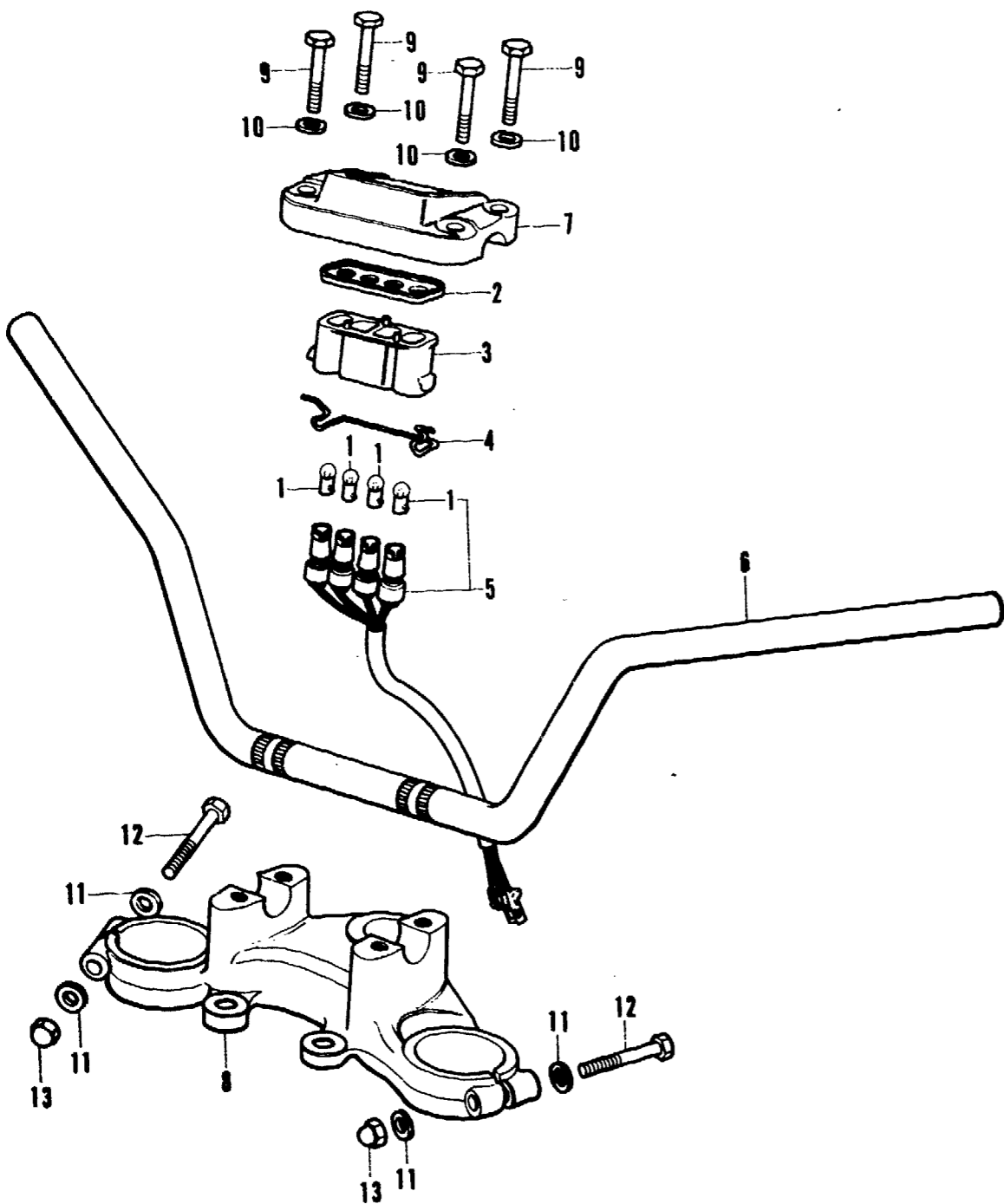
Ref. No.	Part No.	Description	Reqd. No. CB350 F F1	Serial No.	Area code
1	22870-333-000	CABLE COMP., CLUTCH	1 1		A,D,ED,IT
	22870-333-610	CABLE COMP., CLUTCH	1		F,G
2	35250-300-033	SWITCH ASSY., WINKER HORN (TOYO)	1	1070875	A
			1	2001780	
	35250-319-003	SWITCH ASSY., WINKER HORN (TOYO)	1	1070876	A
			1	2001781	
3	35250-323-013	SWITCH ASSY., WINKER, HORN, PASSING	1	1070875	D,ED,F,G,IT
	35250-333-003	SWITCH ASSY., WINKER HORN PASSING (TOYO)	1	1070876	D,ED,F,G,IT
4	35317-001-310	BUTTON, HORN SWITCH PUSH	1 1		A
5	35317-310-810	KNOB, WINKER SWITCH	1 1		
6	35318-259-000	SPRING, HORN PUSH BUTTON	1 1		A
7	53166-342-670	RUBBER, L. GRIP	1 1		
8	53190-286-670	LEVER COMP., L. STEERING HANDLE	1	1070754	
	53190-369-700	LEVER COMP., L. STEERING HANDLE	1	1070755	
9	53192-268-000	BOLT, CLUTCH WIRE ADJUSTING	1 1		
10	88120-304-621	MIRROR, L. BACK	1		F
	88120-333-004	MIRROR, L. BACK	1 1		A,D
	88120-333-610	MIRROR, L. BACK	1		ED,G,IT
11	90114-310-000	BOLT, HANDLE LEVER PIVOT	1 1		
12	90321-315-670	NUT, FIXING	1 1		
13	90501-310-000	WASHER, 7X12	1		A
			1	2007004	D,ED,F,G,IT
14	93500-05025-0A	SCREW, PAN, 5X25	2 2		
15	94001-06000	NUT, HEX., 6iM	1 1		
16	95010-16000	CAP, CONTR. COVER	1	1070754	

F-3 Handle · Top bridge



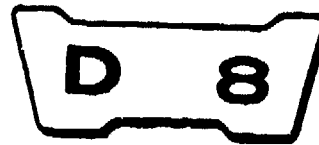
F-3 Handle · Top bridge

Courtesy of  Honda4Fun  
www.hondafour.com www.honda4fun.com

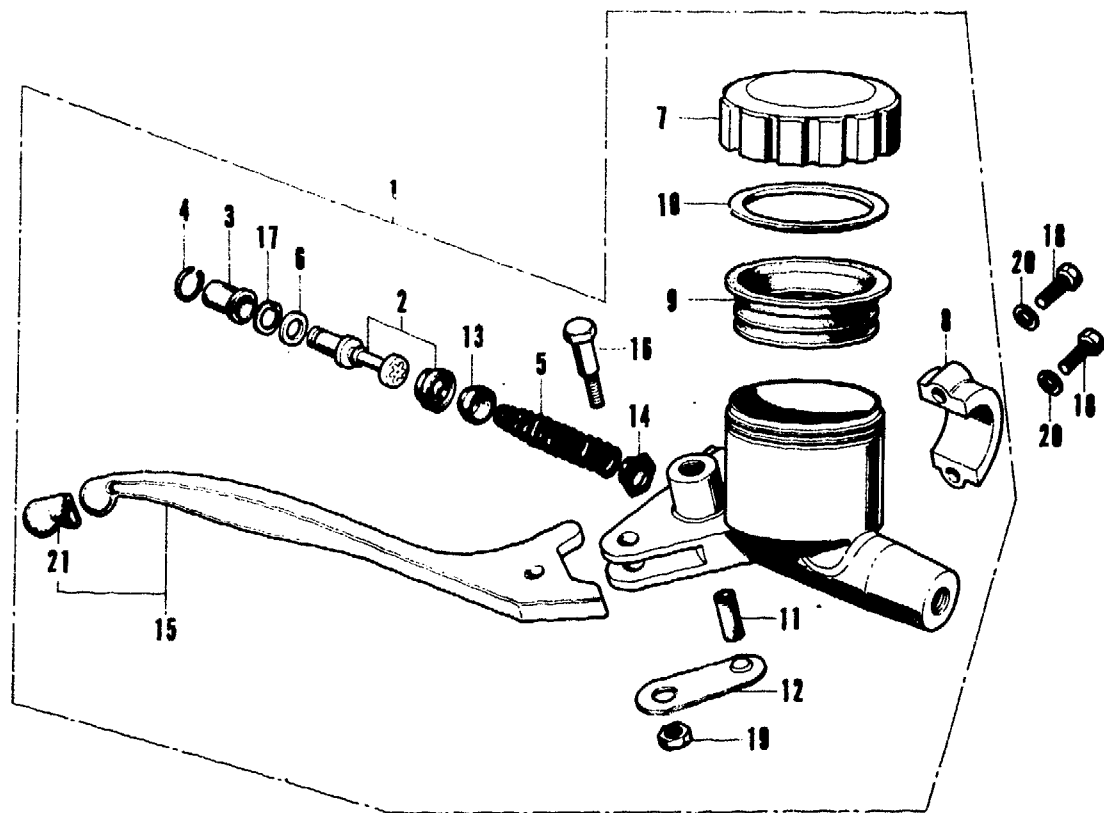


Ref. No.	Part No.	Description	Reqd. No.		Serial No.	Area code
			CB350	F F1		
1	34902-259-000	BULB, DASH (12V 3.4W)	4	4		
2	37576-323-000	BASE, LAMP SOCKET	1	1		
3	37577-333-000	SOCKET, PILOT LAMP	1	1		
4	37579-323-000	SPRING, LAMP SOCKET SET	1	1		
5	37581-333-000	CORD COMP., PILOT LAMP	1	1		
6	53100-333-000	PIPE, STEERING HANDLE	1	1		A,D,ED,IT
	53100-333-611	PIPE, STEERING HANDLE	1			F,G
7	53133-323-010	HOLDER, UPPER	1	1		
8	53231-333-000	BRIDGE, FORK TOP	1	1		
9	93000-08036-08	BOLT, HEX., 8X36	4		1065888	
	90111-362-000	BOLT, FLANGE, 8X36	4	4	1065889	
10	90518-921-000	WASHER, PLAIN, 8MM	4		1065888	
11	90555-283-000	WASHER, SPECIAL, 8MM	4		1055093	A,D,ED,F,G
	94102-08200	WASHER, PLAIN, 8MM	4	4	1055094	A,D,ED,F,G
			4			IT
12	92000-08056-08	BOLT, HEX., 8X56	2	2		
13	94021-08020-05	NUT, CAP, 8MM	2	2		

F-4 Brake master cylinder



F-4 Brake master cylinder



Ref. No.	Part No.	Description	Reqd. No. CB350 F F1	Serial No.	Area code
1	45500-333-670	CYLINDER ASSY., MASTER 45500-369-670	1	1070754	A
	45500-369-670	CYLINDER ASSY., MASTER 45500-369-671	1	2004430	
	45500-346-620	CYLINDER ASSY., MASTER 45500-346-621	1	1070754	ED,F,IT
	45500-369-671	CYLINDER ASSY., MASTER	1	2004431	
	45500-346-680	CYLINDER ASSY., MASTER 45500-346-681	1	1070754	D,G
	45500-369-670	CYLINDER ASSY., MASTER 45500-369-671	1	1070755	A
	45500-346-621	CYLINDER ASSY., MASTER	1	1070755	ED,F,IT
	45500-346-681	CYLINDER ASSY., MASTER	1	1070755	D,G
2	45502-300-305	PISTON SET	1 1		
3	45504-300-003	BOOT	1 1		
4	45505-300-003	STOPPER, BOOT	1 1		
5	45506-300-003	SPRING COMP.	1 1		
6	45512-300-003	WASHER, 10.5MM	1 1		
7	45513-341-671	CAP, OIL CUP	1		D,ED,F,G,IT
	45513-341-770	CAP, OIL CUP	1 1	2004430	A
	45513-341-771	CAP, OIL CUP	1	2004431	
8	45517-300-003	HOLDER, MASTER CYLINDER	1 1		
9	45520-300-000	DIAPHRAGM	1 1		
10	45521-300-010	PLATE, DIAPHRAGM	1 1		
11	45526-341-000	BUSH, R. HANDLE LEVER	1 1		
12	45527-300-000	PLATE, LEVER BUSH SETTING	1 1		
13	46125-533-003	CUP, PRIMARY	1 1		
14	46140-533-003	VALVE, CHECK	1 1		
15	53170-333-000	LEVER COMP., R. STEERING HANDLE	1	1070754	
	53170-369-003	LEVER COMP., R. STEERING HANDLE (TOYO)	1	1070755	
16	90114-300-000	BOLT, HANDLE LEVER PIVOT	1 1		
17	90651-377-003	CIR CLIP, INTERNAL, 18MM	1 1		
18	92000-06025	BOLT, HEX., 6X25	2 2		
19	94001-06000	NUT, HEX., 6MM	1 1		
20	94101-06000	WASHER, PLAIN, 6MM	2 2		
21	95010-16000	CAP, CONTROL LEVER	1	1070754	

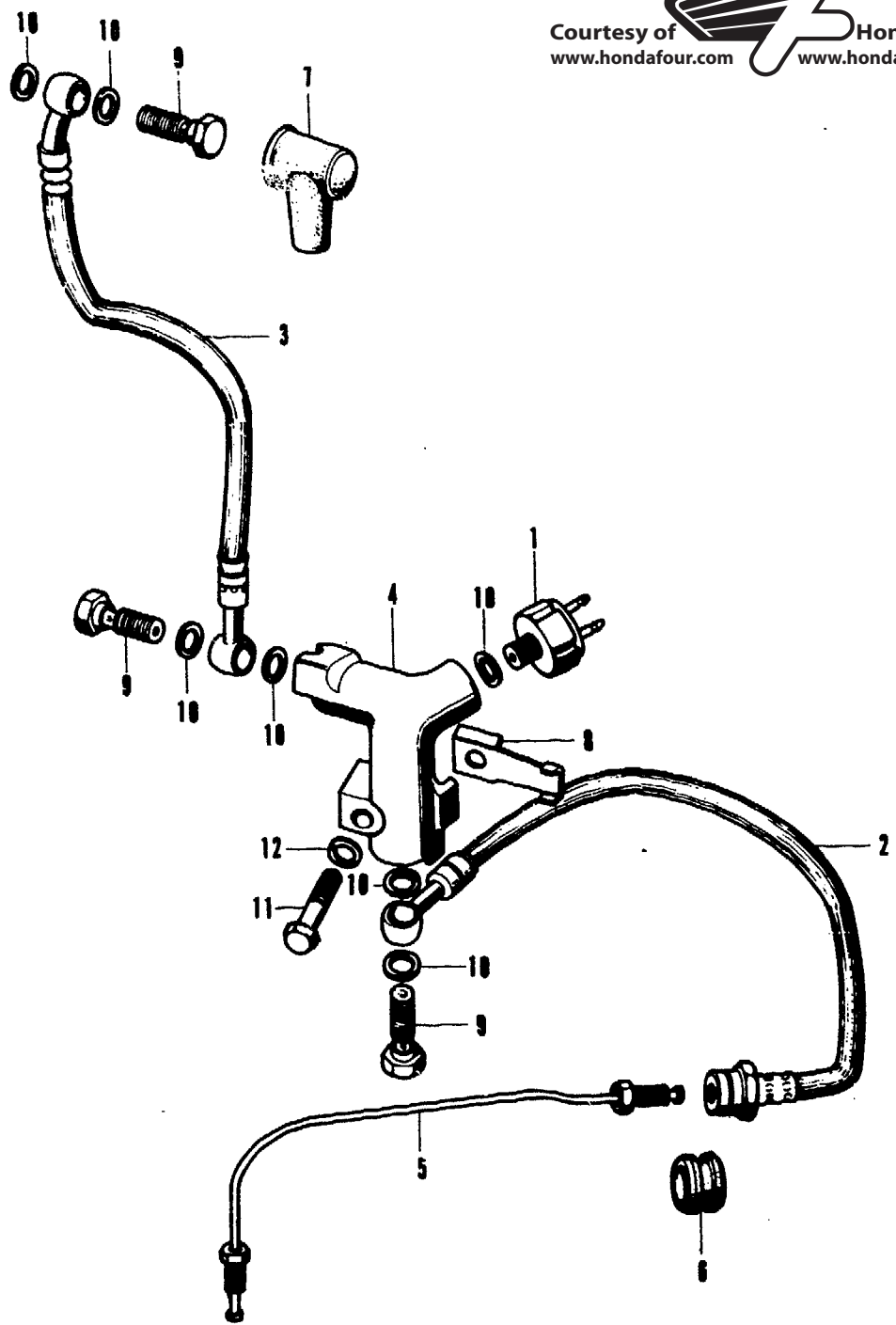




F-5 Front brake hose



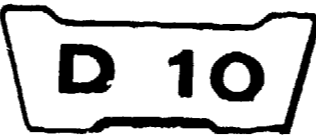
F-5 Front brake hose



Courtesy of  Honda4Fun  
www.honda4fun.com www.honda4fun.com

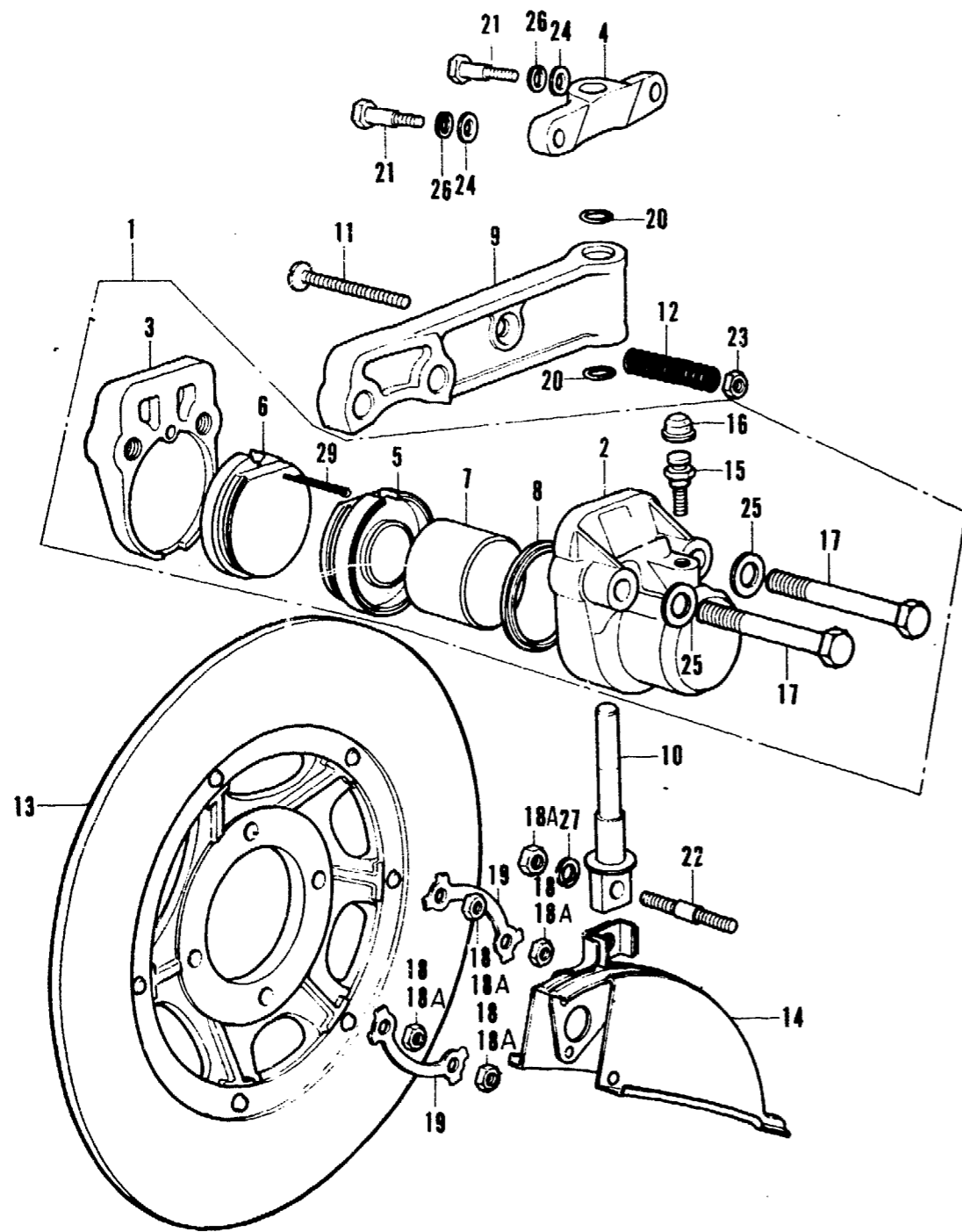
Ref. No.	Part No.	Description	Reqd. No. CB350 F FI	Serial No.	Area code
1	35350-300-006	SWITCH ASSY., STOP	1		A,D,ED,F,G
	35350-300-016	SWITCH, STOP (NAILS)	1	1	
2	45125-300-020	HOSE A, FR. BRAKE	1	1	
3	45126-300-611	HOSE B, FR. BRAKE	1		F,G
	45126-333-000	HOSE B, FR. BRAKE	1	1	A,D,ED,IT
4	45127-323-000	JOINT, THREE WAY	1	1	
5	45128-317-701	PIPE, FR. BRAKE	1	1	
6	45146-300-000	GROMMET, BRAKE HOSE	1	1	
7	45522-300-010	BOOT, MASTER CYLINDER	1	1	
8	53208-317-700	HOLDER, THREE WAY JOINT	1	1	
9	90145-300-000	BOLT, OIL	3	3	
10	90545-300-000	WASHER, OIL BOLT	7	7	
11	92000-06028	BOLT, HEX., 6X28	1	1	
12	94111-06000	WASHER, SPRING, 6MM	1	1	

F-6 Front brake caliper · Disk



F-6 Front brake caliper · Disk

Courtesy of  Honda4Fun  
www.hondafour.com www.honda4fun.com



Ref. No.	Part No.	Description	Reqd. No.		Serial No.	Area code
			CB350	F1		
1	45100-323-043	CALIPER ASSY. (TOKIKO)	1	1		
2	45101-323-013	CALIPER A (TOKIKO)	1	1		
3	45102-323-003	CALIPER B (TOKIKO)	1	1		
4	45104-317-700	JOINT, CALIPER HOLDER	1	1		
5	45105-323-043	PAD COMP. A (TOKIKO)	1	1		
6	45106-323-006	PAD COMP. B	1			A,D,ED,F,G
	45106-323-013	PAD COMP. B (TOKIKO)	1	1		
7	45107-323-020	PISTON COMP.	1	1		
8	45108-300-003	SEAL, PISTON	1	1		
9	45115-323-010	HOLDER, CALIPER	1	1		
10	45116-323-010	PIN, CALIPER HOLDER	1		1055093	A,D,ED,F,G
	45116-323-020	PIN, CALIPER HOLDER	1	1	1055094	A,D,ED,F,G IT
11	45117-300-020	BOLT, CALIPER ADJUSTING	1	1		
12	45119-333-000	SPRING, CALIPER ADJUST	1	1		
13	45120-317-701	DISK COMP., FR. BRAKE	1		1065402	
	45120-369-000	DISK COMP., FR. BRAKE	1	1	1065403	
14	45140-333-000	COVER COMP., DISK	1	1		
15	45224-579-013	VALVE, BLEEDER	1	1		
16	45225-579-013	CAP, BLEED SCREW	1	1		
17	90165-323-000	BOLT, CALIPER SETTING	2	2		
18	90309-357-000	NUT, HEX., 8MM	4	4	1070100	
18A	94001-08000-05	NUT, HEX., 8MM	5		1070099	
			1		1070100	
19	90522-317-700	WASHER, TONGUED, 8MM	2	1	1070099	
			2	2		
20	91259-333-000	O-RING, 9.5X1.7	2	2		
21	92200-06028	BOLT, HEX., 6X28	2	2		
22	92700-08045	BOLT, STUD, 8X45	1	1		
23	94001-06000	NUT, HEX., 6MM	1	1		
24	94101-06000	WASHER, PLAIN, 6MM	2	2		
25	94102-10000	WASHER, PLAIN, 10MM	2	2		
26	94111-06000	WASHER, SPRING, 6MM	2	2		
27	94111-08000	WASHER, SPRING, 8MM	1	1		
28	94201-16220	PIN, SPLIT, 1.6X22	1	1		

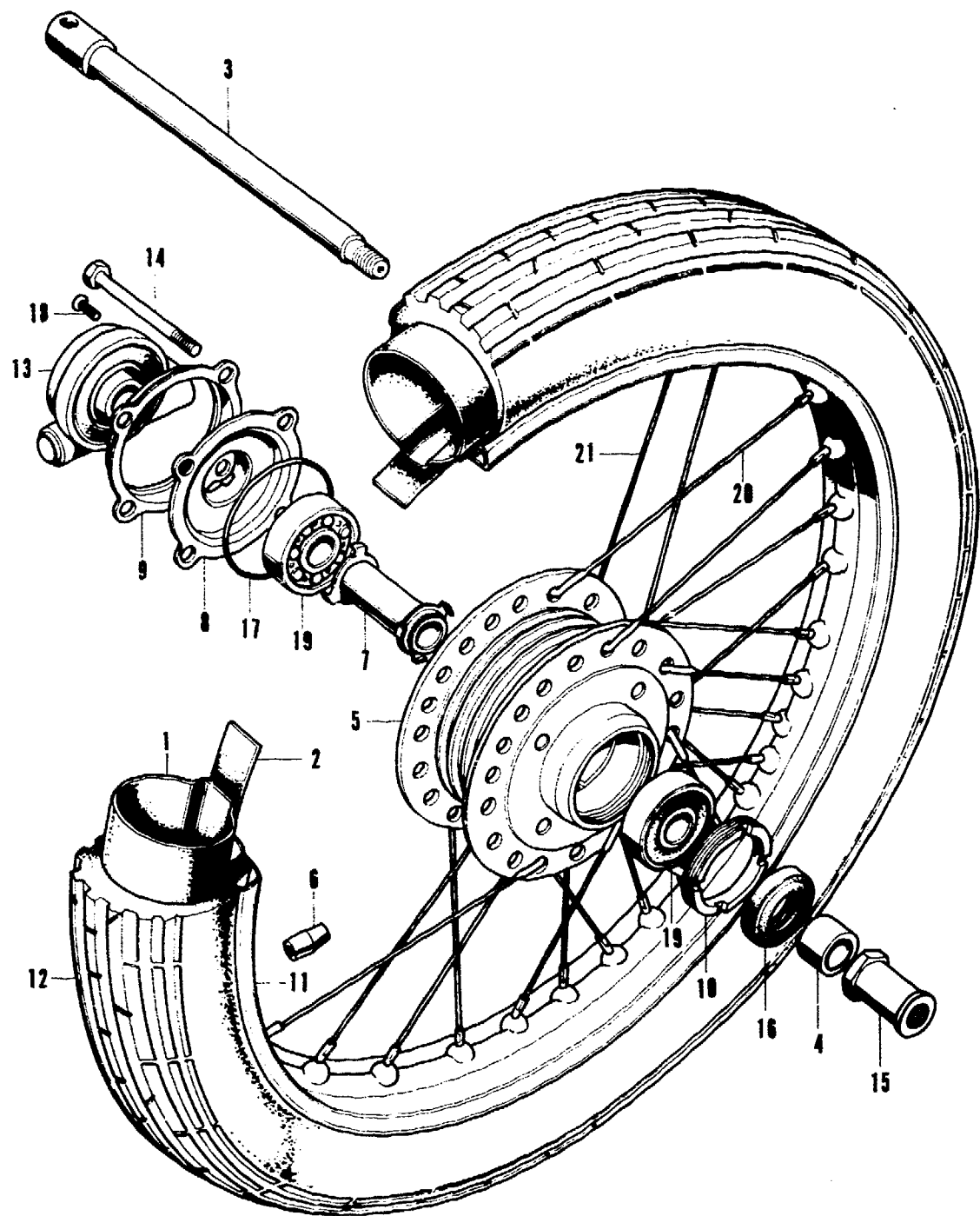
Courtesy of  Honda4Fun  
www.hondafour.com www.honda4fun.com

F-7 Front wheel



F-7 Front wheel

Courtesy of  Honda4Fun  
www.hondafour.com www.honda4fun.com

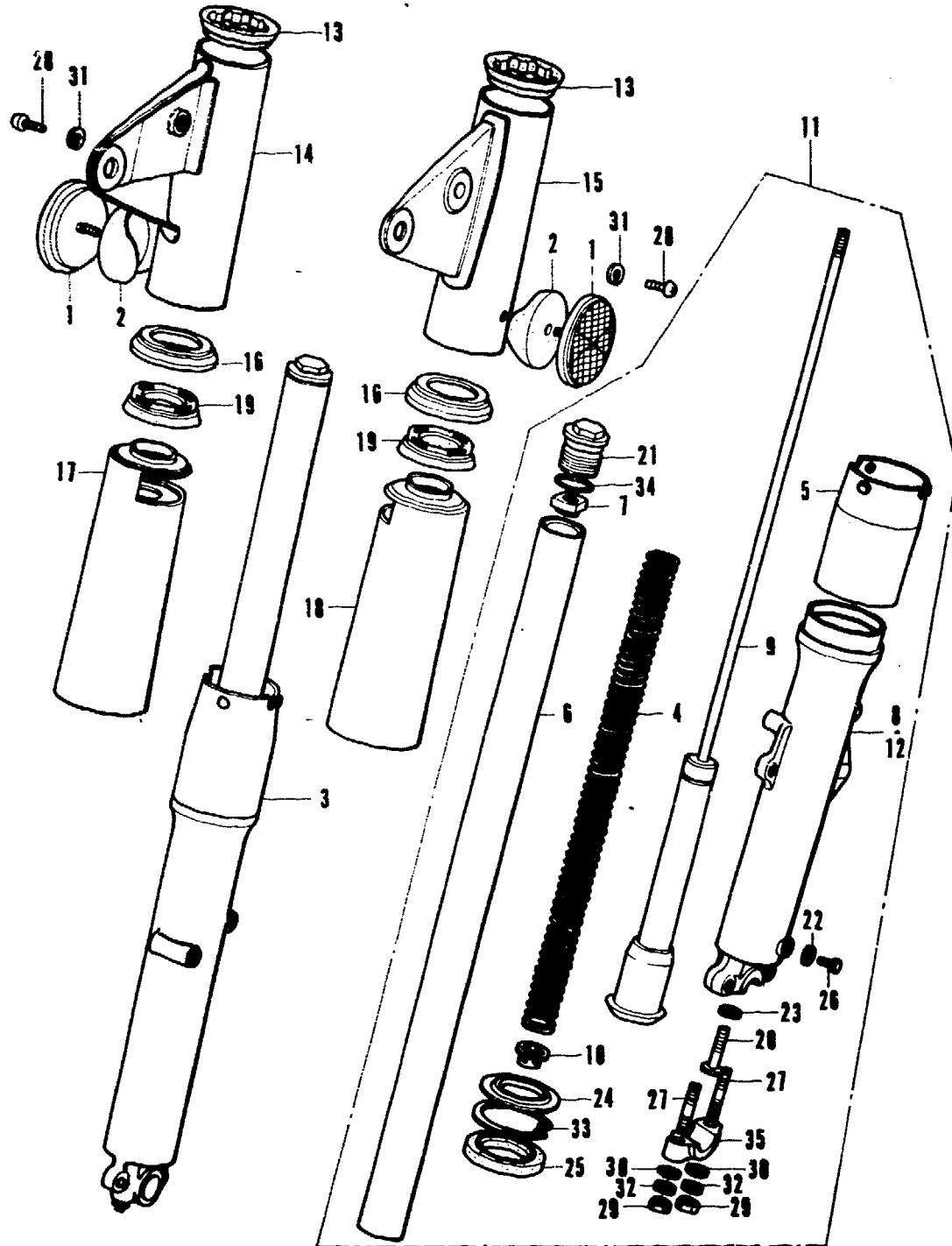


Ref. No.	Part No.	Description	Reqd. No.		Serial No.	Area code
			CB350	F F1		
1	42712-268-000	TUBE, RR. WHEEL (3.00-18)	1	1		
2	42713-268-000	FLAP, RR. TUBE (18 BS)	1	1		
3	44301-312-000	AXLE, FR. WHEEL	1	1		
4	44311-300-000	COLLAR, FR. WHEEL SIDE	1	1		
5	44601-317-702	HUB, FR. WHEEL	1	1		
6	44606-283-000	BALANCER (20G)	N	N		
	44607-283-000	BALANCER (15G)	N	N		
	44608-283-000	BALANCER (10G)	N	N		
	44609-283-000	BALANCER (5G)	N	N		
7	44620-317-701	COLLAR, FR. AXLE DISTANCE	1	1		
8	44641-333-000	RETAINER COMP., GEAR BOX	1	1		
9	44642-317-701	COVER, GEAR BOX RETAINER	1	1		
10	44643-300-000	RETAINER, FR. WHEEL BEARING	1	1		
11	44701-317-701	RIM, FR. WHEEL (18)	1	1		
12	44711-333-003	TIRE, FR. WHEEL (3.00-18) (BS)	1	1		
13	44800-317-700	BOX ASSY., SPEEDOMETER GEAR	1	1		
14	90122-317-702	BOLT, 8X90	4	4		
15	90305-333-000	NUT, AXLE, 12MM	1	1		
16	91252-300-003	DUST SEAL, 22X36X8	1	1		
17	91302-317-700	O-RING, 53.8X3.1	1	1		
18	93700-05016-0A	SCREW, DVAL, 5X16	1	1		
19	96140-63020-10	BEARING, RADIAL BALL, 6302U	2	2		
20	97311-69233-10	SPOKE BS, 8X196.5 (INSIDE)	18	18		
21	97716-69232-10	SPOKE BS, 8X196 (OUTSIDE)	18	18		

## F-8 Front fork

## F-8 Front fork

Courtesy of  Honda4Fun  
www.hondafour.com www.honda4fun.com



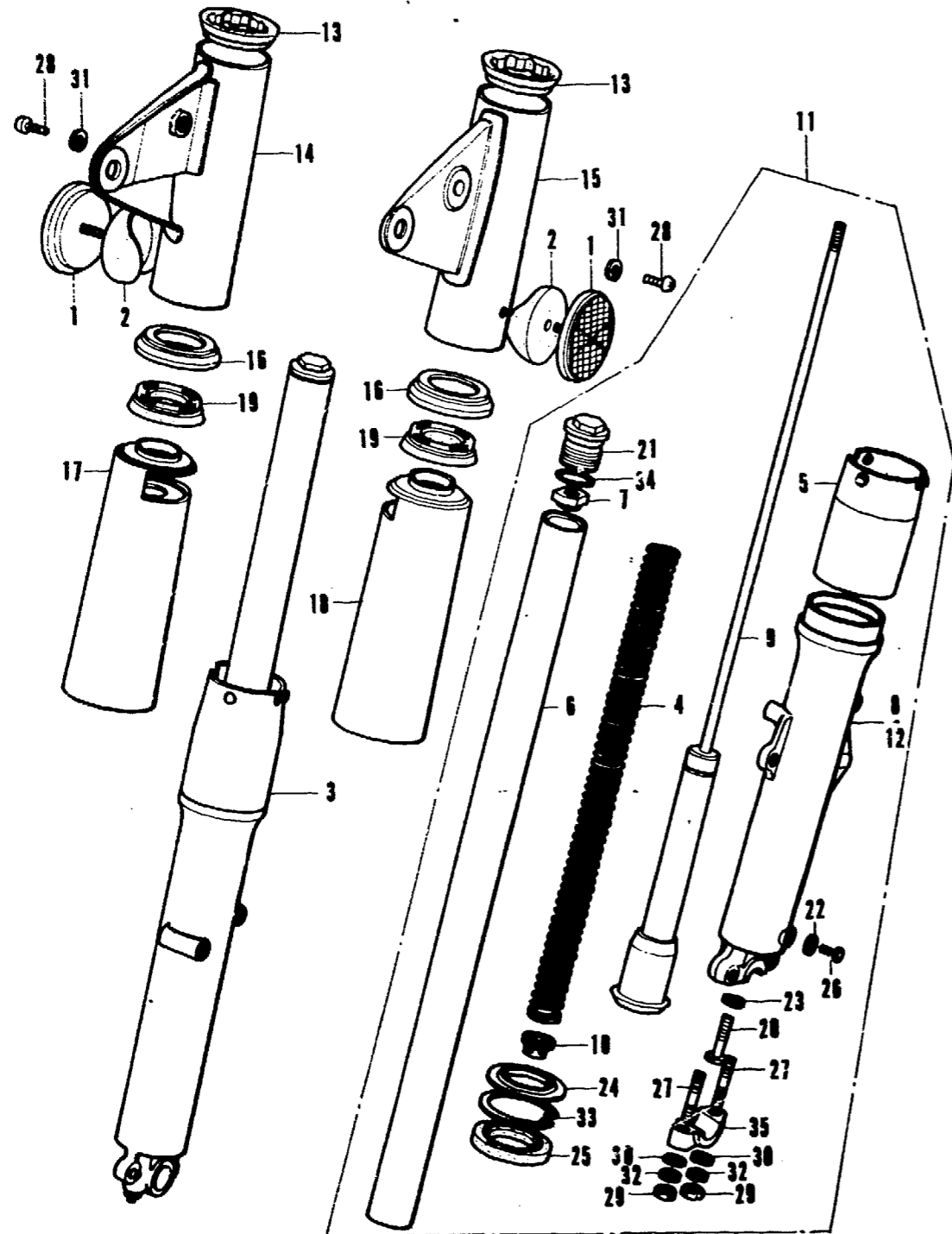
Ref. No.	Part No.	Description	Reqd. No.		Serial No.	Area code
			CB350	F F1		
1	33741-340-670	REFLECTOR, FR. REFLEX	2	2	1055163	F A,D,ED,G,IT
2	33743-341-670	BASE, FR. REFLEX REFLECTOR	2	2	1055163	F A,D,ED,G,IT
3	51400-333-000	FORK ASSY., R. FR.	1	1		
4	51401-333-000	SPRING, FR. CUSHION	2	2		
5	51402-333-000	COVER, BOTTOM CASE	2	2		
6	51410-317-700	PIPE, FR. FORK	2	2		
7	51413-317-700	NUT, LOCK	2	2		
8	51421-333-000	CASE, R. FR. FORK BOTTOM	1	1		
9	51430-333-000	DAMPER COMP.	2	2		
10	51461-317-701	SEAT, RR. CUSHION SPRING	2	2		
11	51500-333-000	FORK ASSY., L. FR.	1	1		
12	51521-333-000	CASE, L. FR. FORK BOTTOM	1	1		
13	51601-317-700	CUSHION A, FORK COVER	2	2		
14	51602-333-000HX	COVER, R. FR. FORK UPPER	1			D,ED,F,G,IT
	51602-333-000LY	COVER, R. FR. FORK UPPER	1			
	51602-333-000NQ	COVER, R. FR. FORK UPPER	1			D,ED,F,G,IT
	51602-333-000PJ	COVER, R. FR. FORK UPPER	1			A,D
	51602-333-000UC	COVER, R. FR. FORK UPPER		1		
15	51606-333-000HX	COVER, L. FR. FORK UPPER	1			D,ED,F,G,IT
	51606-333-000LY	COVER, L. FR. FORK UPPER	1			
	51606-333-000NQ	COVER, L. FR. FORK UPPER	1			D,ED,F,G,IT
	51606-333-000PJ	COVER, L. FR. FORK UPPER	1			A,D
	51606-333-000UC	COVER, L. FR. FORK UPPER		1		
16	51608-286-010	RIB, FR. FORK	2	2		
17	51611-344-670HX	COVER, R. FR. FORK UNDER	1			D,ED,F,G,IT
	51611-344-670LY	COVER, R. FR. FORK UNDER	1			
	51611-344-670NQ	COVER, R. FR. FORK UNDER	1			D,ED,F,G,IT
	51611-344-670PJ	COVER, R. FR. FORK UNDER	1			A,D
	51611-344-670UC	COVER, R. FR. FORK UNDER		1		
18	51612-333-000HX	COVER, L. FR. FORK UNDER	1			D,ED,F,G,IT
	51612-333-000LY	COVER, L. FR. FORK UNDER	1			
	51612-333-000NQ	COVER, L. FR. FORK UNDER	1			D,ED,F,G,IT
	51612-333-000PJ	COVER, L. FR. FORK UNDER	1			A,D
	51612-333-000UC	COVER, L. FR. FORK UNDER		1		
19	51622-286-010	CUSHION B, FR. FORK COVER	2	2		
20	90116-283-010	BOLT, SOCKET, 8MM	2	2		
21	90123-317-700	BOLT, FR. FORK	2	2		
22	90543-273-000	PACKING, FR. FORK DRAIN COCK	2	2		
23	90544-283-000	WASHER, SPECIAL, 8MM	2	2		
24	91254-333-010	DUST SEAL, 33X47X10	2	2		
25	91255-312-003	DIL SEAL, 33X46X10.2	2	2		

# D 13

## F-8 Front fork

## F-8 Front fork

Courtesy of  Honda4Fun  
www.hondafour.com www.honda4fun.com



Ref. No.	Part No.	Description	Reqd. No.		Serial No.	Area code
			CB350	F F1		
26	92000-06008	BOLT, HEX., 6X8	2	2		
27	92700-08050-30	BOLT, STUD, 8X50	4	4		
28	93500-06008-02	SCREW, PAN, 6X8	2		1055164	F
29	94030-08000	NUT, HEX., 8MM	4	4		
30	94101-08000	WASHER, PLAIN, 8MM	4	4		
31	94111-06000	WASHER, SPRING, 6MM	2		1055164	1067184 F
	94101-06000	WASHER, PLAIN, 6MM	2		1067185	F
32	94111-08000	WASHER, SPRING, 8MM	4	4		
33	94521-47000	CIR CLIP, INTERNAL, 47	2	2		
34	94608-30000	O-RING, 23X2.4	2	2		
35	95014-41000	HOLDER IC, FR. FORK AXLE	2	2		

B333-24

Courtesy of  Honda4Fun  
www.hondafour.com www.honda4fun.com

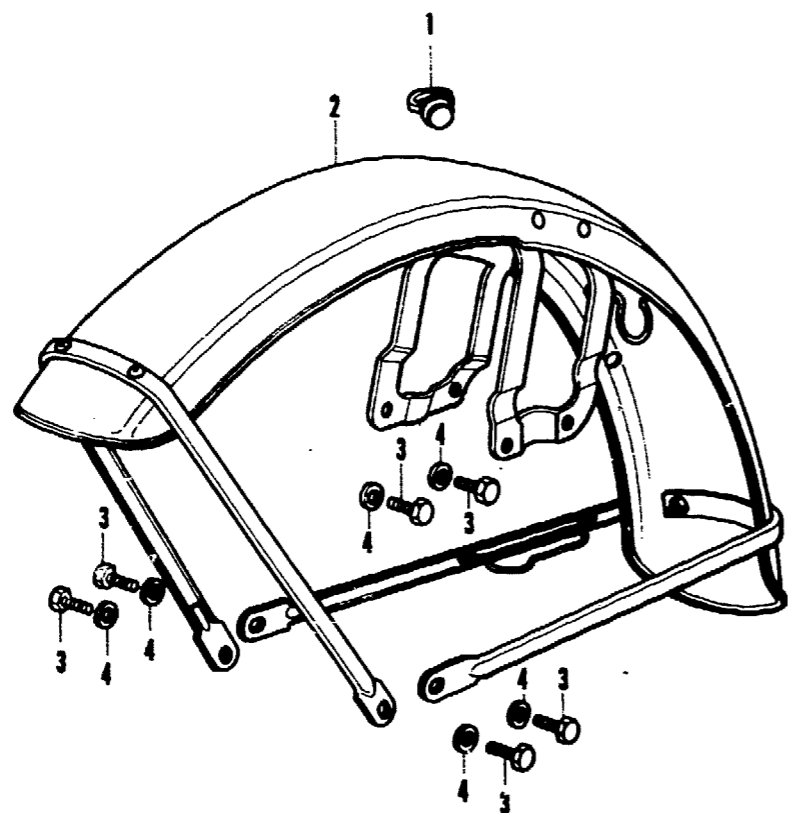
F-9 Front fender

**D 14**

F-9 Front fender

Courtesy of  Honda4Fun  
www.hondafour.com www.honda4fun.com

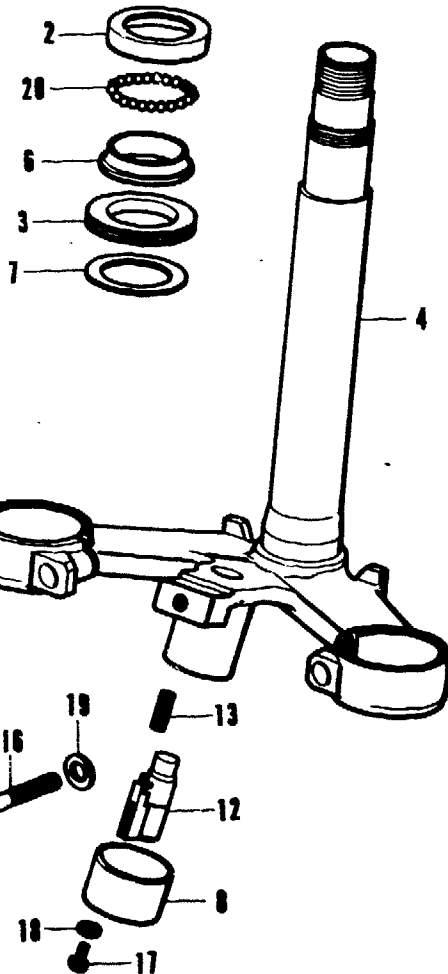
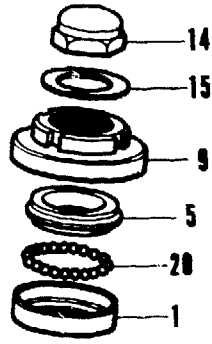
Ref. No.	Part No.	Description	Reqd. No.		Serial No.	Area code
			CB350	F F1		
1	45451-283-000	GROMMET, WIRE	1	1		
2	61100-333-000XW	FENDER COMP., FR.	1	1		
3	92000-06016	BOLT, HEX., 6X16	6	6		
4	94101-06000	WASHER, PLAIN, 6MM	6	6		



# D 15

## F-10 Steering stem

## F-10 Steering stem

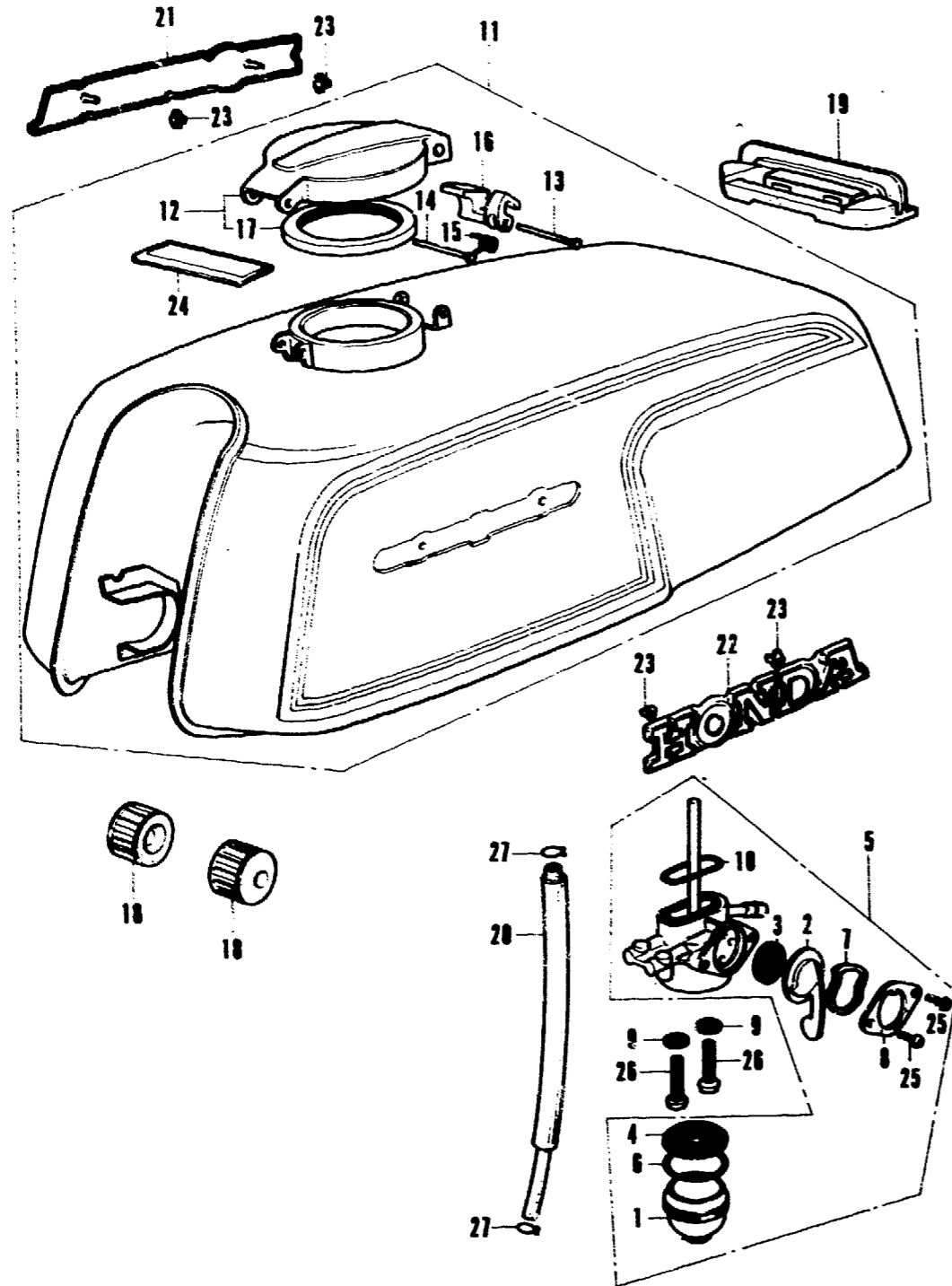


Ref. No.	Part No.	Description	Reqd. No. CB350 F FI	Serial No.	Area code
1	50301-268-305	RACE, STEERING TOP BALL	1 1		
2	50302-268-305	RACE, STEERING BOTTOM BALL	1 1		
3	53124-250-000	DUST SEAL, STEERING HEAD	1 1		
4	53200-333-000B	STEM COMP., STEERING 53200-333-C10B	1 1	1080989 2009365	A,D
	53200-333-010B	STEM COMP., STEERING	1 1	1080990 2009366	A,D
	53200-333-610B	STEM COMP., STEERING 53200-333-611B	1 1	1080619	ED,F,G,IT
	53200-333-611B	STEM COMP., STEERING	1 1	1080620	ED,F,G,IT
5	53211-268-305	RACE, STEERING TOP CONE	1 1		
6	53212-250-305	RACE, STEERING BOTTOM CONE	1 1		
7	53215-250-000	WASHER, STEERING HEAD DUST SEAL	1 1		
8	53215-317-000	COVER COMP., HANDLE LOCK CASE	1 1		A,D
9	53220-286-000	THREAD COMP., STEERING HEAD TOP	1 1		
10	53225-333-000	INNER, CARLE GUIDE	1 1		
11	53226-333-000	BRACKET, CABLE GUIDE	1 1		
12	53600-230-004	LOCK COMP., STEERING HANDLE (TOYO)	1 1		A,D
13	53631-268-020	SPRING, HANDLE LOCK	1 1		A,D
14	90304-323-670	NUT, STEERING STEM	1 1		
15	90503-283-000	WASHER, STEERING STEM	1 1		
16	92000-08032-0A	BOLT, HEX., 8X32	2 2		
17	93500-03008-0A	SCREW, PAN, 3X8	1 1		A,D
18	94101-03000	WASHER, PLAIN, 3MM	1 1		A,D
19	94101-08000	WASHER, PLAIN, 8MM	2 2		
20	96211-08000	BALL, STEEL, #8 (1/4)	37 37		

F-11 Fuel tank · Cock

D 16

F-11 Fuel tank · Cock



Ref. No.	Part No.	Description	Reqd. No. CB350 F F1	Serial No.	Area code
1	16952-268-000	CUP, FUEL STRAINER	1 1		
2	16953-268-020	LEVER, FUEL COCK	1 1		
3	16955-268-020	GASKET, COCK VALVE	1 1		
4	16957-268-010	SCREEN, FUEL STRAINER	1 1		
5	16957-333-025	COCK ASSY., FUEL	1 1		
6	16958-268-010	O-RING	1 1		
7	16960-268-010	SPRING, COCK LEVER	1 1		
8	16961-268-010	PLATE, FUEL COCK LEVER SETTING	1 1		
9	16993-011-000	GASKET, COCK FIXING	2	1069999	
10	16997-273-006	O-RING, 23MM	1 1		
11	17500-333-610HX	TANK ASSY., FUEL	1		G
	17500-333-610LY	TANK ASSY., FUEL	1		G
	17500-333-610NQ	TANK ASSY., FUEL	1		G
	17500-333-620HX	TANK ASSY., FUEL	1		F
	17500-333-620LY	TANK ASSY., FUEL	1		F
	17500-333-620NQ	TANK ASSY., FUEL	1		F
	17500-333-671HX	TANK ASSY., FUEL	1		D,ED,IT
	17500-333-671LY	TANK ASSY., FUEL	1		A,D,ED,IT
	17500-333-671NQ	TANK ASSY., FUEL	1		D,ED,IT
	17500-333-671PJ	TANK ASSY., FUEL	1		A,D
	17500-333-671UC	TANK ASSY., FUEL	1		
12	17510-323-310	CAP COMP., FUEL TANK	1 1		
13	17513-300-300	PIN, FUEL FILLER CAP CHECK	1 1		
14	17514-323-300	PIN B, FUEL FILLER CAP	1 1		
15	17515-300-300	SPRING, FUEL FILLER CAP CHECK	1 1		
16	17517-300-340	CHECK, FUEL FILLER CAP	1 1		
17	17534-323-300	GASKET, FUEL FILLER CAP	1 1		
18	17611-286-000	CUSHION, FUEL TANK FR.	2 2		
19	17613-333-010	PAD, FUEL TANK RR	1 1		
20	17681-333-000	TUBE, FUEL	1 1		
21	87121-333-000	EMBLEM, R. FUEL TANK	1 1		
22	87122-333-000	EMBLEM, L. FUEL TANK	1 1		
23	87311-516-000	NUT, EMBLEM CLAMP	4 4		
24	87560-323-611A	MARK, DRIVE CAUTION	1		G
	87560-323-611B	MARK, DRIVE CAUTION	1		G
	87560-323-670A	MARK, DRIVE CAUTION	1		
	87560-323-621A	MARK, DRIVE CAUTION	1		F
	87560-323-621B	MARK, DRIVE CAUTION	1		F
	87560-323-670A	MARK, DRIVE CAUTION	1		A,D,ED,IT
	87560-323-670B	MARK, DRIVE CAUTION	1		D,ED,IT
25	93500-03006-0A	SCREW, PAN, 3X6	2 2		
26	93500-06028	SCREW, PAN, 6X28	2 2		
27	95002-02080	CLIP B8, TUBE	2 2		

B333-27



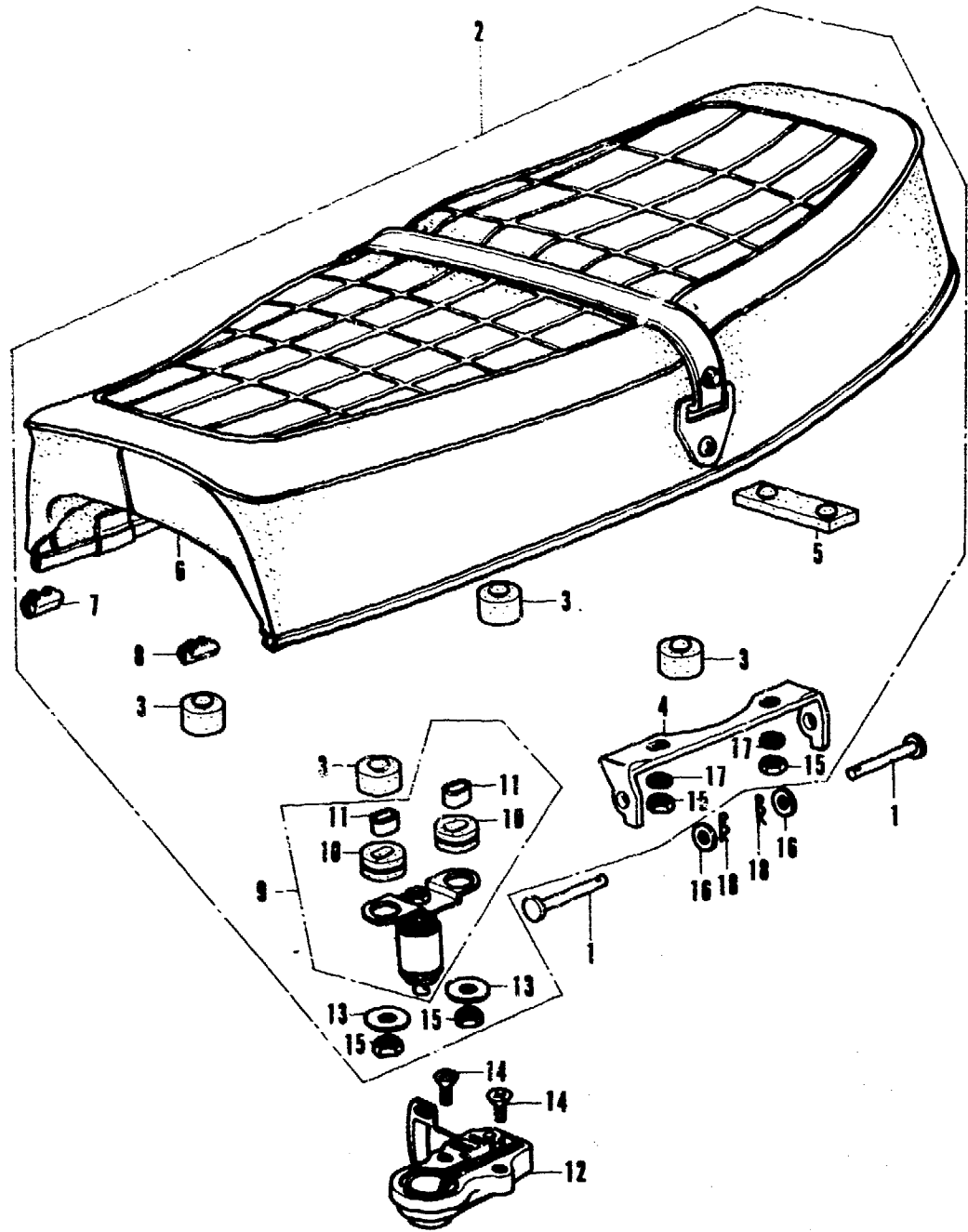


F-12 Seat



F-12 Seat

Courtesy of  Honda4Fun  
www.hondafour.com www.honda4fun.com



Ref. No.	Part No.	Description	Reqd. No.		Serial No.	Area code
			CB350	F F1		
1	77103-313-000	B&R; SEAT HINGE	2	2		
2	77200-333-000A	SEAT ASSY.	1	1		
3	77201-074-000	RUBBER; SEAT CUSHION	4	4		
4	77201-333-000	HINGE; SEAT	1	1		
5	77204-312-000	RUBBER; SEAT SETTING	1	1		
6	77210-333-810	LEATHER COMP.; SEAT	1	1		
7	77211-323-300	GARNISH; R. SEAT MOLE	1	1		
8	77212-323-300	GARNISH; L. SEAT MOLE	1	1		
9	77220-340-011	BAR ASSY.; SEAT LOCK	1	1		
10	77228-340-001	RUBBER; SEAT LOCK BAR CUSHION	2	2		
11	77229-340-001	COLLAR; SEAT LOCK BAR	2	2		
12	77230-347-003	LOCK ASSY.; SEAT (TOYOSHA)	1	1		
13	90514-700-000	WASHER; TANK COLLAR LOCKING	2	2		
14	93600-06012-07	SCREW; FLAT; 6X12	2	2		
15	94001-06000	NUT; HEX.; 6MM	4	4		
16	94101-06000	WASHER; PLAIN; 6MM	2	2		
17	94111-06000	WASHER; SPRING; 6MM	2	2		
18	94251-06000	PIN; LOCK; 6MM	2	2		

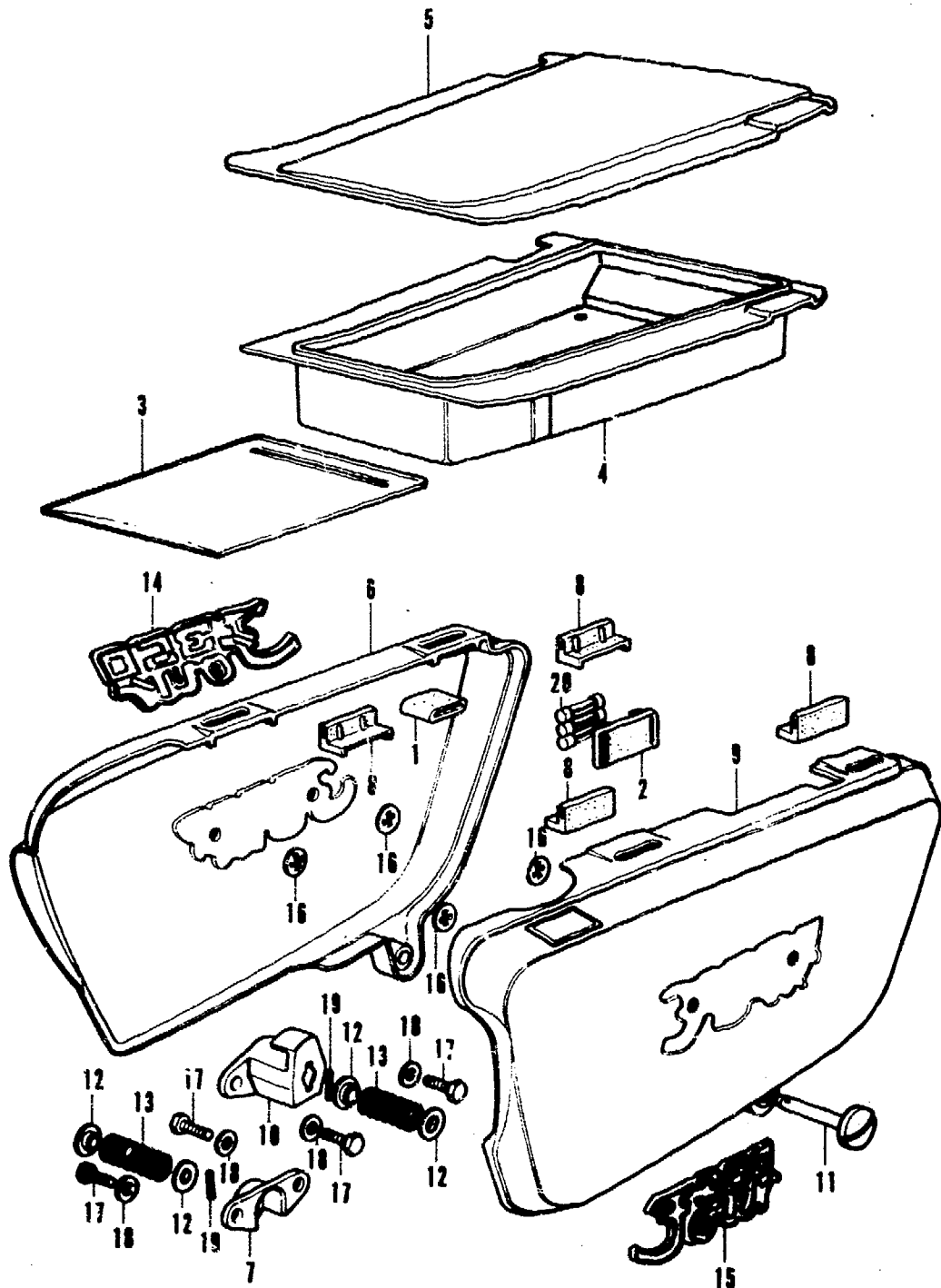
B333-28

Courtesy of  Honda4Fun  
www.hondafour.com www.honda4fun.com

F-13 Side cover · Tool tray

**E 2**

F-13 Side cover · Tool tray



Ref. No.	Part No.	Description	Reqd. No. CB350 F F1	Serial No.	Area code
1	31503-044-670	RUBBER B, BATTERY MOUNTING	1 1		
2	38205-115-000	CASE, FUSE	1 1		
3	77251-342-000	BAG, SERVICE BOOK	1 1		
4	83501-333-020	TRAY, TOOL	1 1		
5	83502-333-000	LID, TOOL TRAY	1 1		
6	83600-333-010HX	COVER, R. SIDE	1		D,ED,F,G,IT
	83600-333-010LY	COVER, R. SIDE	1		
	83600-333-010NQ	COVER, R. SIDE	1		D,ED,F,G,IT
	83600-333-010PJ	COVER, R. SIDE	1		A,D
	83600-333-010UC	COVER, R. SIDE	1		
7	83601-333-000	HOLDER, R. SIDE COVER UNDER	1 1		
8	83621-333-000	GROMMET, SIDE COVER	4 4		
9	83700-333-010HX	COVER, L. SIDE	1		D,ED,F,G,IT
	83700-333-010LY	COVER, L. SIDE	1		
	83700-333-010NQ	COVER, L. SIDE	1		D,ED,F,G,IT
	83700-333-010PJ	COVER, L. SIDE	1		A,D
	83700-333-010UC	COVER, L. SIDE	1		
10	83701-333-000	HOLDER, L. SIDE COVER UNDER	1 1		
11	83703-333-000	PIN, SIDE COVER	2 2		
12	83704-333-000	GUIDE, SPRING	4 4		
13	83705-333-000	SPRING, SIDE COVER SET	2 2		
14	87128-333-000	EMBLEM, R. SIDE COVER	1		
	87128-333-670	EMBLEM, R. SIDE COVER	1		
15	87129-333-000	EMBLEM, L. SIDE COVER	1		
	87129-333-670	EMBLEM, L. SIDE COVER	1		
16	90313-512-000	NUT, PUSH, 3MM	4 4		
17	92000-06016	BOLT, HEX., 6X16	4 4		
18	94101-06000	WASHER, PLAIN, 6MM	4 4		
19	94305-20143	PIN, SPRING, 2X14	2 2		
20	98200-11500	FUSE A (15A) (SPARE PARTS)	3 3		

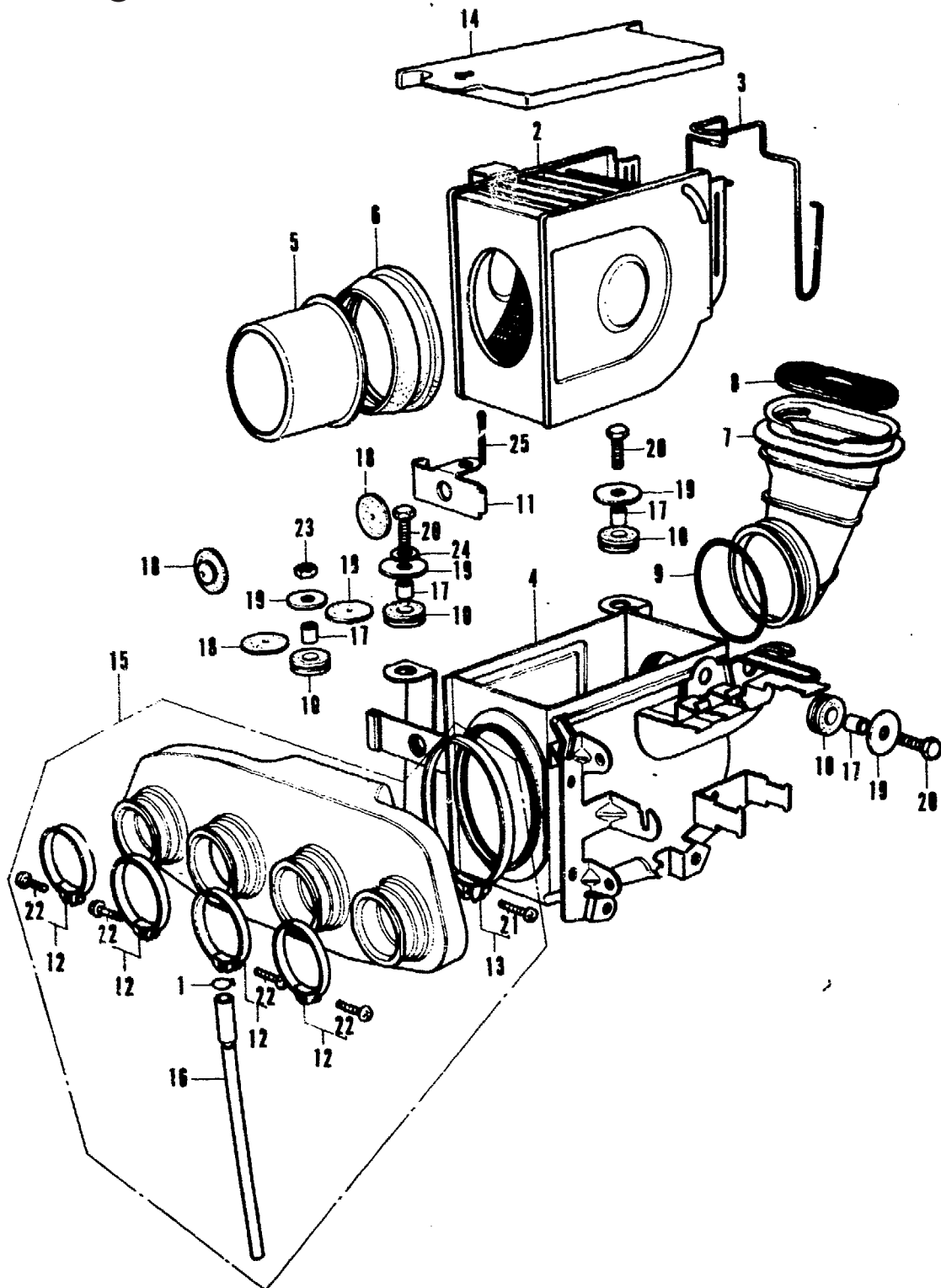


# E 3

## F-14 Air cleaner

## F-14 Air cleaner

Courtesy of  Honda4Fun  
www.hondafour.com www.honda4fun.com



Ref. No.	Part No.	Description	Reqd. No. CB350 F F1	Serial No.	Area code
1	15772-292-010	CLIP, BREATHER TUBE	1 1		
2	17210-333-015	ELEMENT, AIR CLEANER	1	1055093	A,D
	17210-333-610	ELEMENT, AIR CLEANER	1 1	1055094	A,D ED,F,G,IT
3	17216-333-010	SPRING, CLEANER ELEMENT	1 1		
4	17230-333-010	CASE COMP., AIR CLEANER	1	1055093	A,D
	17230-333-610	CASE COMP., AIR CLEANER	1 1	1055094	A,D ED,F,G,IT
5	17235-333-000	GUIDE, AIR DUCT	1 1		
6	17236-333-000	SEAL, AIR CLEANER ELEMENT	1 1		
7	17240-333-000	DUCT, AIR CLEANER IN.	1 1		
8	17241-333-000	NET, AIR IN.	1 1		
9	17242-333-000	BAND, AIR CLEANER IN.	1 1		
10	17245-107-010	RUBBER, AIR CLEANER CASE MOUNTING	4 4		
11	17252-333-000	PLATE, BATTERY HINGE	1 1		
12	17255-333-000	BAND A, AIR CLEANER CONNECTING TUBE	4 4		
13	17256-333-000	BAND B, CLEANER CONNECTING TUBE	1 1		
14	17260-333-000	LID, AIR CLEANER CASE	1 1		
15	17300-333-000	CHAMBER ASSY., AIR CLEANER	1 1		
16	17335-323-000	TUBE ASSY., BREATHER	1 1		
17	33603-053-650	COLLAR, RR. WINKER STAY	4 4		
18	83618-323-000	RUBBER, BATTERY BOX	4 4		
19	90501-040-000	WASHER, SEAT SETTING	4	1055093	
	90506-500-000	WASHER, AIR DUCT	4 4	1055094	
20	92000-06020	BOLT, HEX., 6X20	3 3		
21	93500-05016-0A	SCREW, PAN, 5X16	1 1		
22	93500-05020-0A	SCREW, PAN, 5X20	4 4		
23	94001-06000	NUT, HEX., 6MM	1 1		
24	94101-06000	WASHER, PLAIN, 6MM	1 1		
25	94201-30450	PIN, SPLIT, 3.0X45	1 1		

B333-30

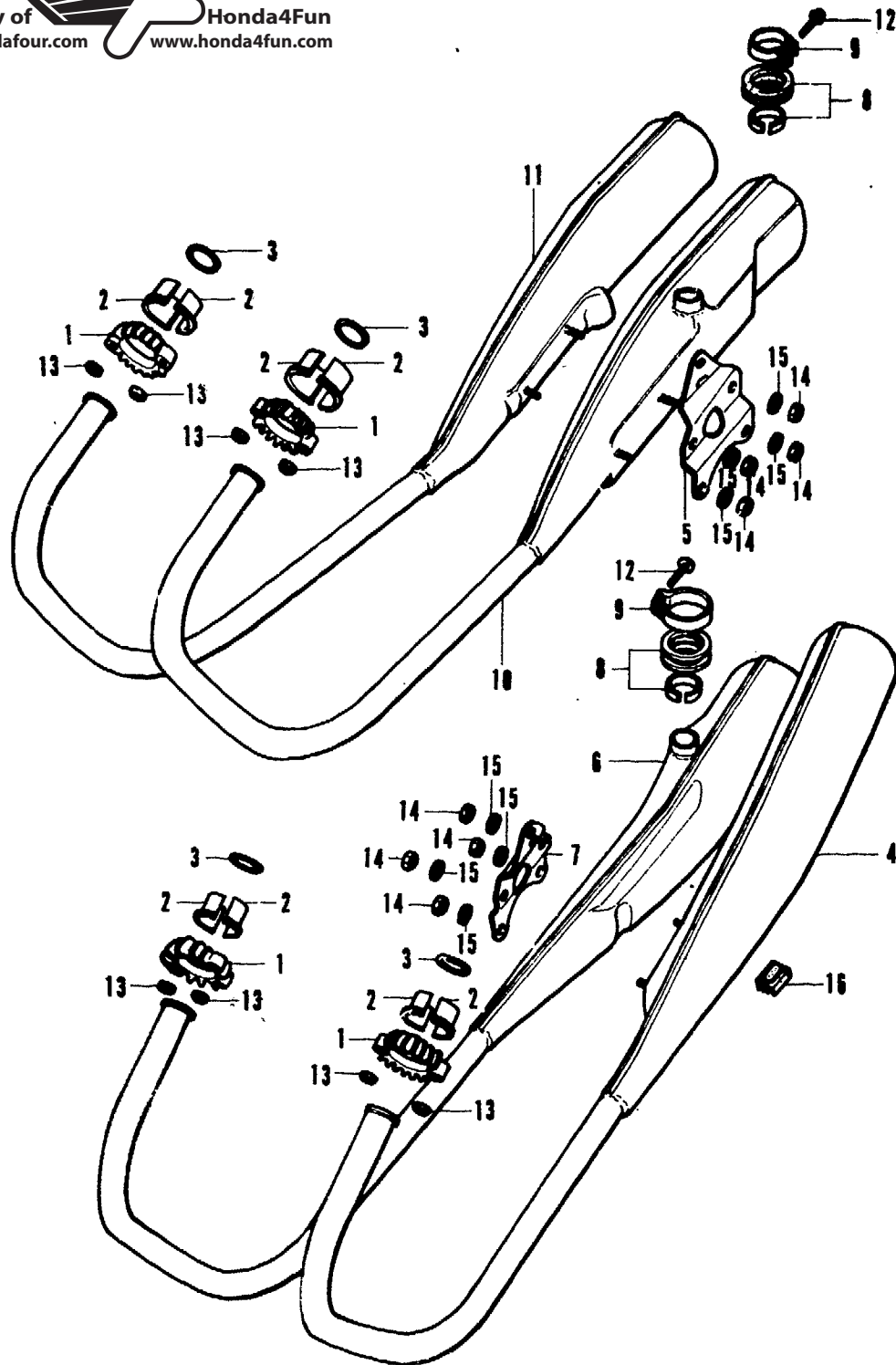
Courtesy of  Honda4Fun  
www.hondafour.com www.honda4fun.com

F-15 Exhaust muffler



F-15 Exhaust muffler

Courtesy of  Honda4Fun  
www.hondafour.com www.honda4fun.com



Ref. No.	Part No.	Description	Reqd. No.		Serial No.	Area code
			CB350	F F1		
1	18231-333-010	JOINT, EX. PIPE	4	4		
2	18233-303-010	COLLAR, EX. PIPE JOINT	8	8		
3	18291-028-000	GASKET, EX. PIPE	4	4		
4	18300-333-010	MUFFLER COMP. 1, EX. 18300-333-610	1		1055093	A,D
	18300-333-610	MUFFLER COMP. 1, EX.	1	1	1055094	A,D ED,F,G
	18300-333-710	MUFFLER COMP. 1, EX.	1			IT
5	18325-333-000	BRACKET, R. MUFFLER	1	1		
6	18400-333-010	MUFFLER COMP. 2, EX. 18400-333-610	1		1055093	A,D
	18400-333-610	MUFFLER COMP. 2, EX.	1	1	1055094	A,D ED,F,G
	18400-333-710	MUFFLER COMP. 2, EX.	1			IT
7	18425-333-000	BRACKET, L. MUFFLER	1	1		
8	18472-300-000	TUBE, MUFFLER CONNECTING	2	2		
9	18473-300-000	BAND, MUFFLER CONNECTING	2	2		
10	18500-333-010	MUFFLER COMP. 3, EX. 18500-333-610	1		1055093	A,D
	18500-333-610	MUFFLER COMP. 3, EX.	1	1	1055094	A,D ED,F,G
	18500-333-710	MUFFLER COMP. 3, EX.	1			IT
11	18600-333-010	MUFFLER COMP. 4, EX. 18600-333-610	1		1055093	A,D
	18600-333-610	MUFFLER COMP. 4, EX.	1	1	1055094	A,D ED,F,G
	18600-333-710	MUFFLER COMP. 4, EX.	1			IT
12	93500-05016-0G	SCREW, PAN, 5X 6	2	2		
13	94001-06000	NUT, HEX., 6MM	8	8		
14	94001-08000-0S	NUT, HEX., 8MM	8	8		
15	94111-08000	WASHER, SPRING, 8MM	8	8		
16	95011-64000	RUBBER D, STAND STOPPER	1	1		

B333-31

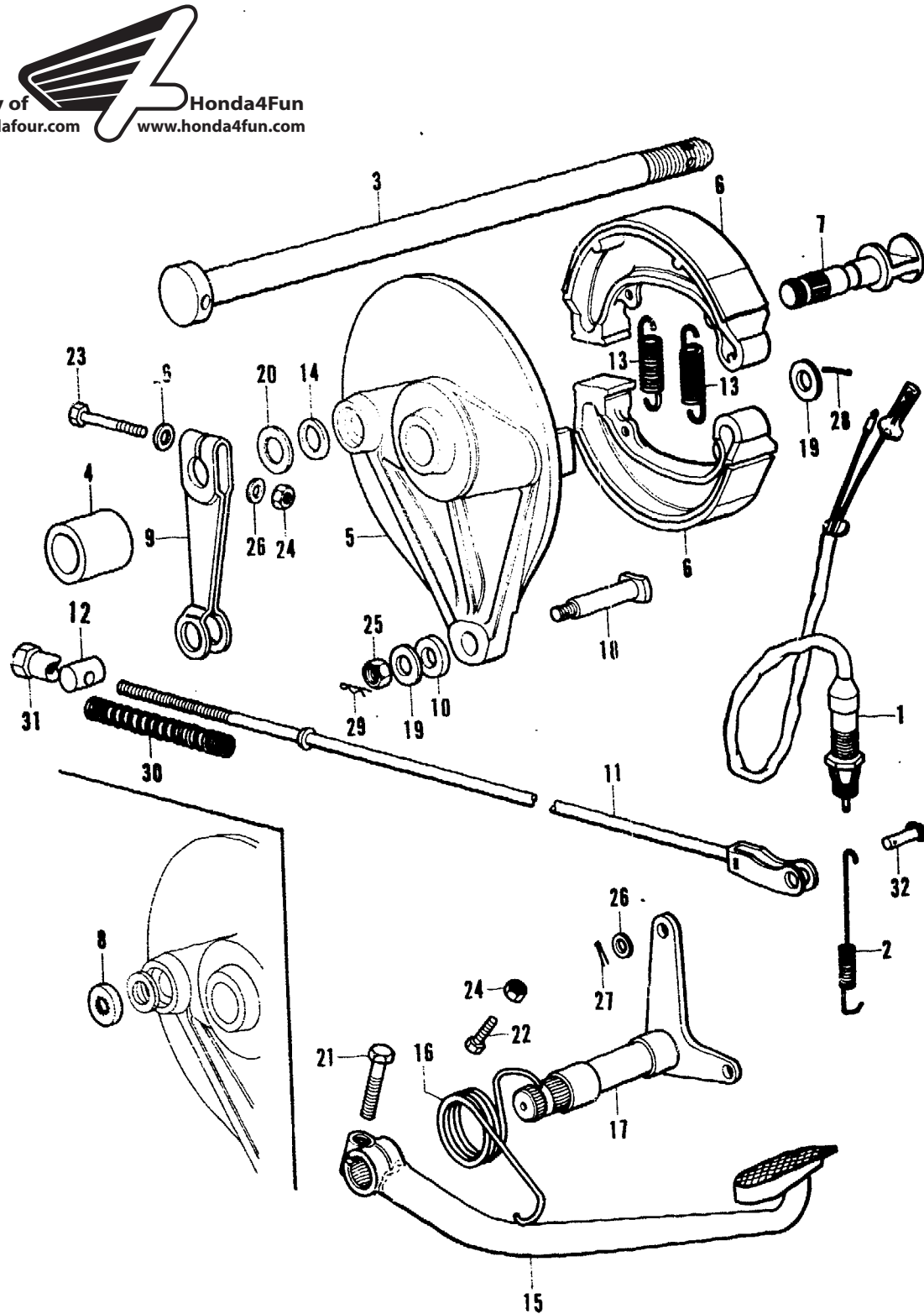
Courtesy of  Honda4Fun  
www.hondafour.com www.honda4fun.com

F-16 Rear brake pedal - Panel



F-16 Rear brake pedal - Panel

Courtesy of Honda4Fun  
www.hondafour.com www.honda4fun.com



Ref. No.	Part No.	Description	Reqd. No. CB350 F F1	Serial No.	Area code
1	35350-336-000	SWITCH ASSY., STOP	1 1		
2	35357-011-000	SPRING, STOP SWITCH	1 1		
3	42301-286-010	AXLE, RR. WHEEL	1 1		
4	42313-286-000	COLLAR, RR. BRAKE PANEL SIDE	1 1		
5	43100-333-000	PANEL COMP., RR. BRAKE	1 1	1071779	D,ED,F,G,IT
				2001705	A
	43100-369-000	PANEL COMP., RR. BRAKE	1 1	1071780	D,ED,F,G,IT
				2001706	A
6	43120-286-000	SHOE COMP., RR. BRAKE	2 2	1071779	D,ED,F,G,IT
				2001705	A
	43120-369-670	SHOE COMP., RR. BRAKE	2 2	1071780	D,ED,F,G,IT
				2001706	A
7	43141-286-010	CAM, RR. BRAKE	1 1	1071779	D,ED,F,G,IT
				2001705	A
	43141-369-000	CAM, RR. BRAKE	1 1	1071780	D,ED,F,G,IT
				2001706	A
8	43145-369-000	PLATE, BRAKE INDICATOR	1 1	1071780	D,ED,F,G,IT
				2001706	A
9	43410-286-000	ARM, RR. BRAKE	1 1	1071779	D,ED,F,G,IT
				2001705	A
	43410-333-670	ARM, RR. BRAKE	1 1	1071780	D,ED,F,G,IT
				2001706	A
10	43434-286-000	RUBBER, STOPPER ARM CUSHION	1 1		
11	43451-316-670	ROD COMP., RR. BRAKE	1 1	1067974	
	43451-354-000	ROD COMP., RR. BRAKE	1 1	1067975	
12	95015-32000	JOINT B, BRAKE ARM 95015-32001	1 1	1069999	
	43453-250-000	JOINT, RR. BRAKE ARM	1 1	1070000	
13	45133-240-000	SPRING, FR. BRAKE SHOE	2 2	1013842	A
	45133-329-000	SPRING, FR. BRAKE SHOE	2 2	1013843	A
					D,ED,F,G,IT
14	45134-250-000	DUST SEAL, BRAKE CAM	1 1		
15	46500-333-010	PEDAL COMP., BRAKE	1 1		
16	46514-333-000	SPRING, BRAKE PEDAL	1 1		
17	46515-333-000	SHAFT COMP., RR. BRAKE PIVOT	1 1		
18	90127-283-000	BOLT, RR. BRAKE PANEL STOPPER	1 1		
19	90524-030-000	WASHER A, HANDLE HOLDER SETTING	2 2		
20	90549-121-000	WASHER, PLAIN, 14MM	1 1	1013843	A
					D,ED,F,G,IT
				2001705	A
21	92000-08028-0A	BOLT, HEX., 8X28	1 1		
22	92023-06025	BOLT, HEX., 6X25	1 1		
23	92200-06036	BOLT, HEX., 6X36	1 1		
24	94001-06000	NUT, HEX., 6MM	2 2		
25	94001-08000-0S	NUT, HEX., 8MM	1 1		

333-32A

Courtesy of Honda4Fun  
www.hondafour.com www.honda4fun.com

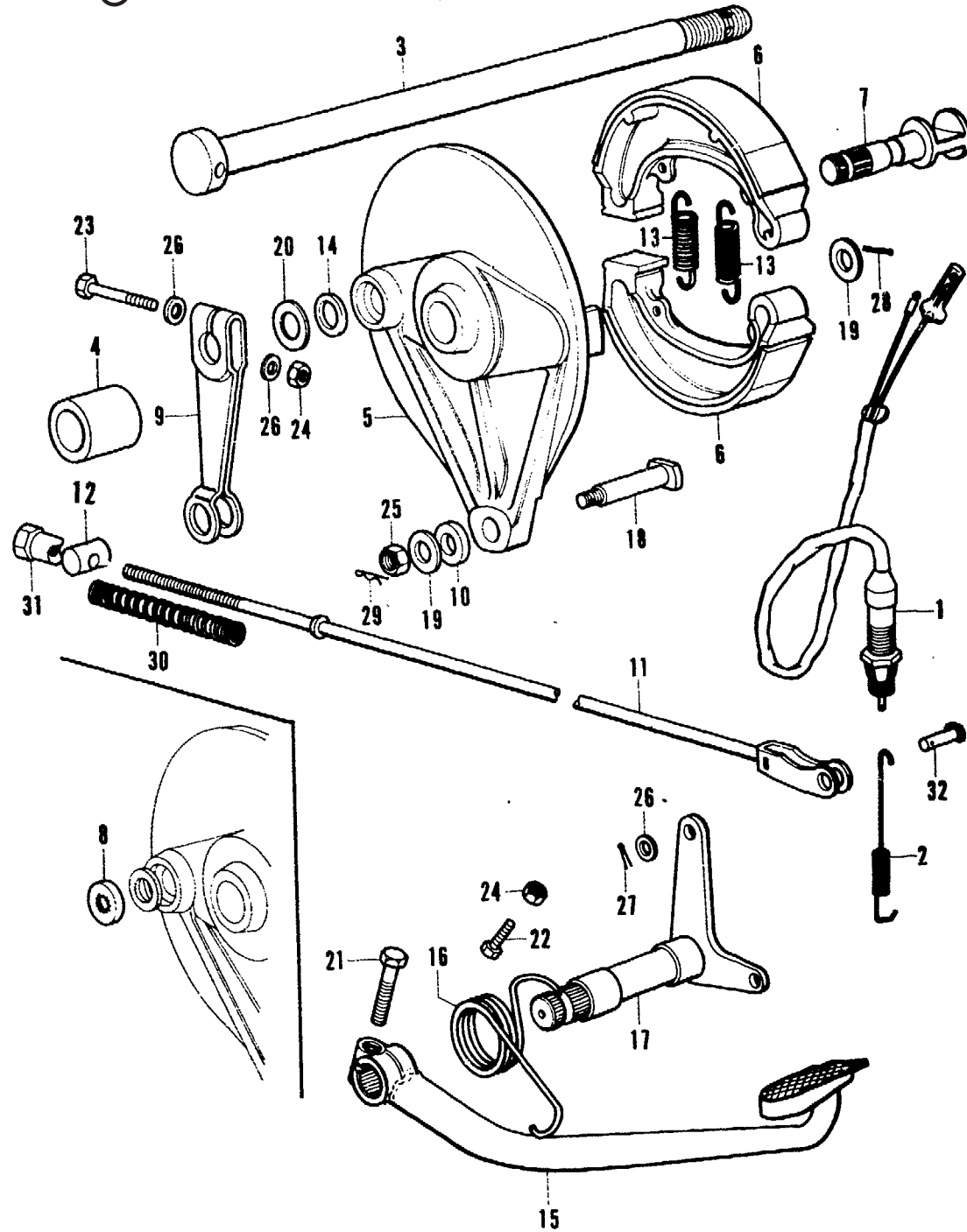


F-16 Rear brake pedal · Panel



F-16 Rear brake pedal · Panel

Courtesy of  Honda4Fun  
www.honda4fun.com www.honda4fun.com



Ref. No.	Part No.	Description	Reqd. No.		Serial No.	Area code
			CB350	F F1		
26	94101-06000	WASHER, PLAIN, 6MM	3	3		
27	94201-16120	PIN, SPLIT, 1.6X12	1	1		
28	94201-20150	PIN, SPLIT, 2.0X15	1	1		
29	94251-08000	PIN, LOCK, 8MM	1	1		
30	95014-73300	SPRING C, BRAKE ROD	1	1		
31	95015-42000	NUT B, BRAKE ROD ADJUST	1	1		
32	95015-51000	PIN A, BRAKE ROD JOINT	1		1067974	
	95015-52000	PIN B, BRAKE ROD JOINT	1	1	1067975	

333-32A

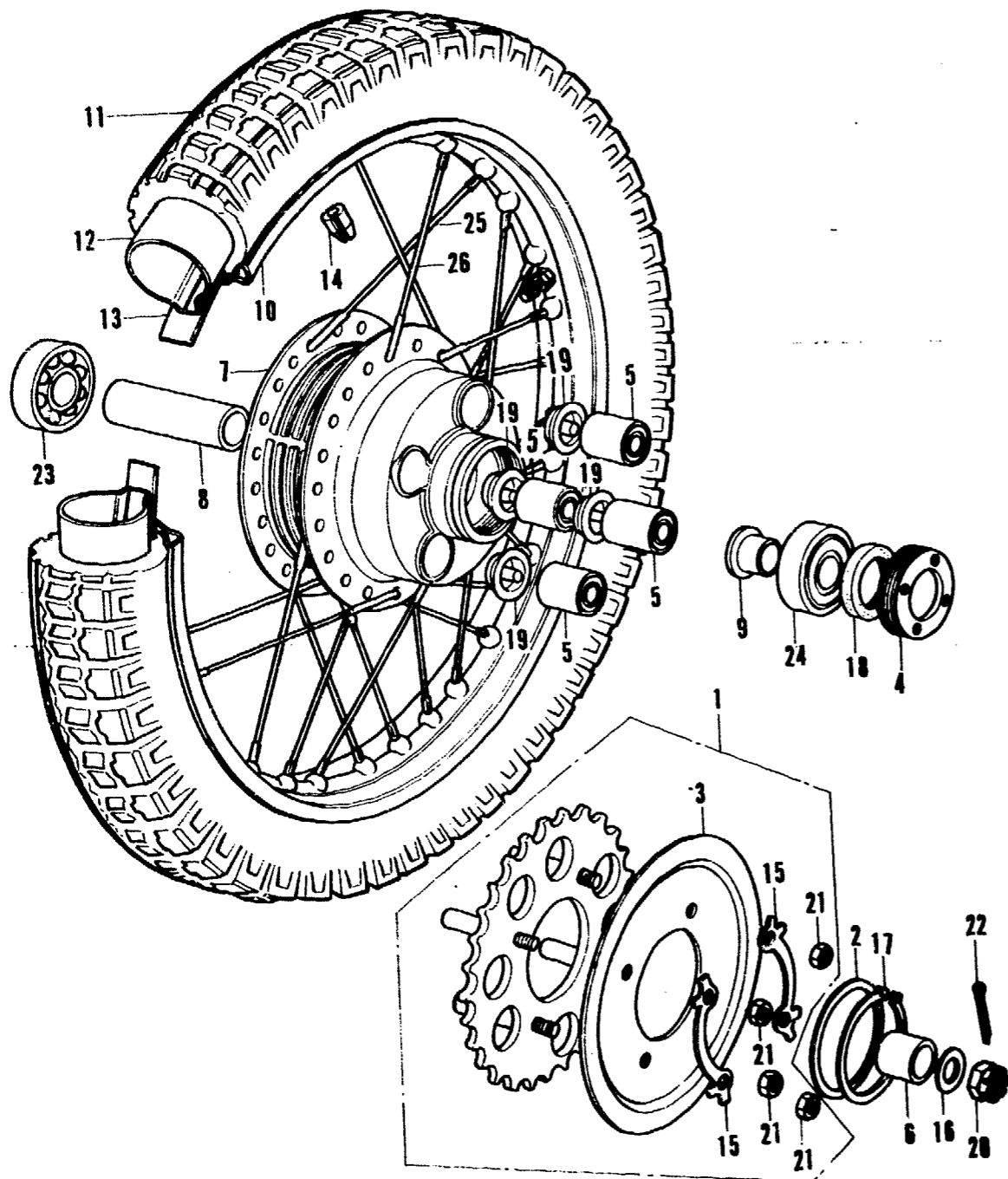
Courtesy of  Honda4Fun  
www.honda4fun.com www.honda4fun.com

# E 7

## F-17 Rear Wheel

## F-17 Rear Wheel

Courtesy of  Honda4Fun  
www.hondafour.com www.honda4fun.com



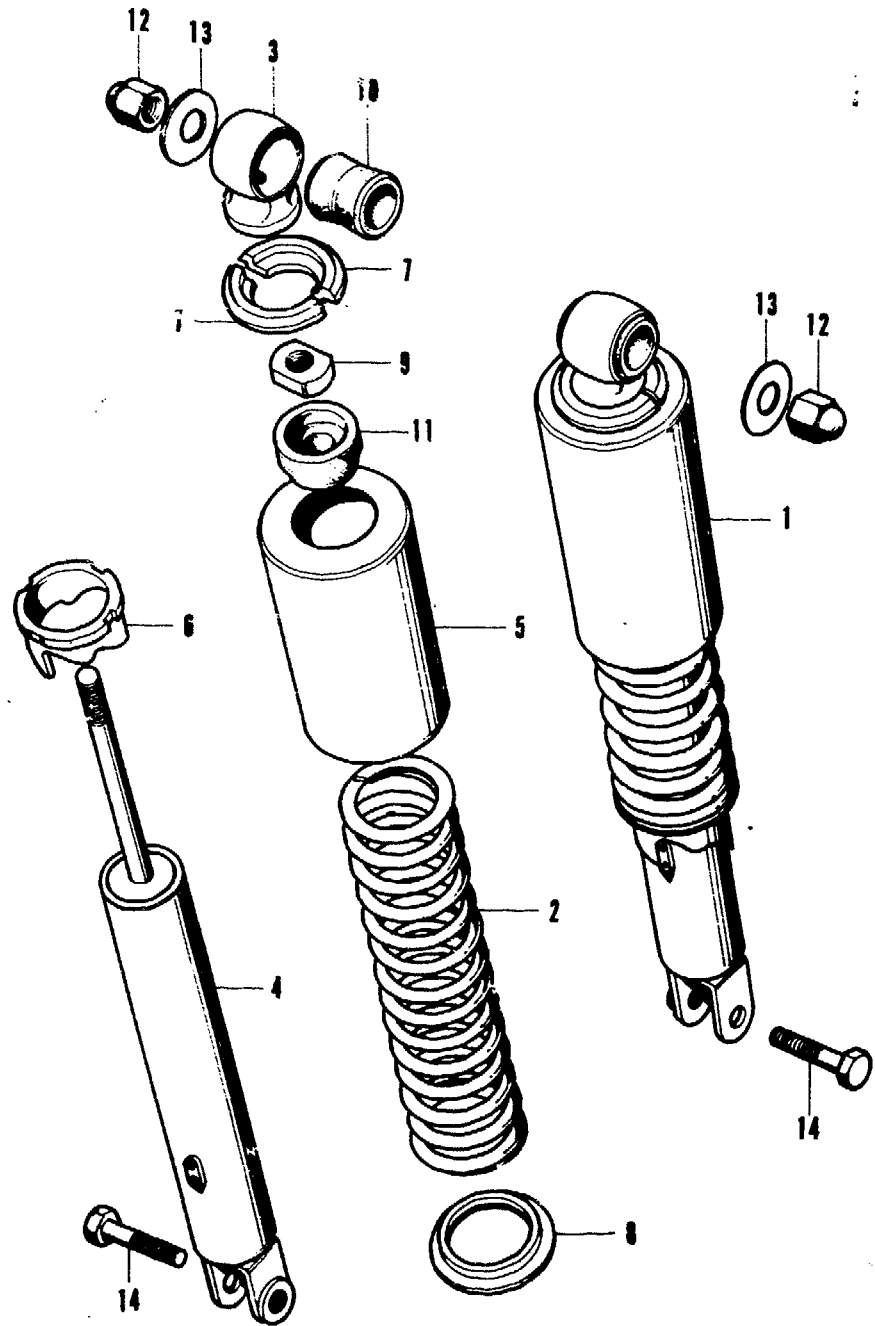
Ref. No.	Part No.	Description	Reqd. No. CB350 F F1	Serial No.	Area code
1	41200-333-000	SPROCKET ASSY., FINAL DRIVEN	1 1		A, D, ED, F, G
	41200-333-710	SPROCKET ASSY., FINAL DRIVEN	1		IT
2	41202-286-000	WASHER, 70MM	1 1		
3	41211-333-000	PLATE, SPROCKET SIDE	1 1		
4	41231-286-000	RETAINER, RR. WHEEL BEARING	1 1		
5	41241-286-000	BUSH, RR. WHEEL DAMPER	4 4		
6	42311-286-000	COLLAR, RR. WHEEL SIDE	1 1		
7	42601-333-000	HUB COMP., RR. WHEEL	1 1		
8	42620-286-000	COLLAR A, RR. AXLE DISTANCE	1 1		
9	42625-286-000	COLLAR B, RR. AXLE DISTANCE	1 1		
10	42701-286-003	RIM, RR. WHEEL (18 DAIDO) 42701-290-003	1 1	1072229 2002382	
	42701-290-003	RIM, RR. WHEEL (18 DAIDO)	1 1	1072230 2002383	
11	42711-323-013	TIRE, RR. WHEEL (3.50-18)(BS)	1 1		
12	42712-287-000	TUBE, RR. WHEEL (3.50-18)	1 1		
13	42713-268-000	FLAP, RR. TUBE (18 BS)	1 1		
14	44606-283-000	BALANCER (20G)	N N		
	44607-283-000	BALANCER (15G)	N N		
	44608-283-000	BALANCER (10G)	N N		
	44609-283-000	BALANCER (5G)	N N		
15	90522-286-000	WASHER, TONGUED, 10MM 94108-15000	2 2		
16	90523-286-000	WASHER, 16.5X30	1 1		
17	90665-286-000	CIR CLIP, EXTERNAL, 69MM	1 1		
18	91253-286-013	DUST SEAL, 30X45X9.5	1 1		
19	91303-333-000	PLUG, RR. WHEEL HUB	4 4		
20	94011-16220-05	NUT, CASTLE, 16MM	1 1		
21	94031-10000	NUT, HEX., 10MM	4 4		
22	94201-40300	PIN, SPLIT, 4.0X30	1 1		
23	96140-63030-10	BEARING, RADIAL BALL, 6303U	1 1		
24	96140-63040-10	BEARING, RADIAL BALL, 6304U	1 1		
25	97339-52159-10	SPOKE B, 9X159.5 (INSIDE) (INSIDE)	18 18	1072229 2002382	
	97339-52157-10	SPOKE B, 9X158.5 (INSIDE) (INSIDE)	18 18	1072230 2002383	
26	97715-52158-10	SPOKE B, 9X159 (OUTSIDE) (OUTSIDE)	18 18	1072229 2002382	
	97715-52156-10	SPOKE B, 9X158 (OUTSIDE) (OUTSIDE)	18 18	1072230 2002383	

B333-33

Courtesy of  Honda4Fun  
www.hondafour.com www.honda4fun.com

## F-18 Rear shock absorber

## F-18 Rear shock absorber



Ref. No.	Part No.	Description	Reqd. No.		Serial No.	Area code
			CB350	F F1		
1	52400-333-000XW	CUSHION ASSY., RR.	2	2		
2	52401-317-700	SPRING, RR. CUSHION	2	2		
3	52403-317-700	JOINT, UPPER	2	2		
4	52410-333-000	DAMPER COMP., RR.	2	2		
5	52421-292-670XW	CASE, RR. CUSHION UPPER	2	2		
6	52422-331-003	ADJUSTER, RR. CUSHION SPRING	2	2		
7	52424-331-003	STOPPER, SPRING SEAT (SHOWA)	4	4		
8	52458-317-700	SEAT, SPRING UNDER	2	2		
9	52482-331-003	NUT, LOCK, 9MM (SHOWA)	2	2		
10	52484-292-000	RUBBER, JOINT	2	2		
11	52517-331-003	RUBBER, RR. CUSHION STOPPER (SHOWA)	2	2		
12	90309-315-000	NUT, RR. CUSHION UPPER	2	2		
13	90527-230-000	WASHER, PLAIN, 10.3MM	2	2		
14	93000-10032-08	BOLT, HEX., 10X32	2	2		

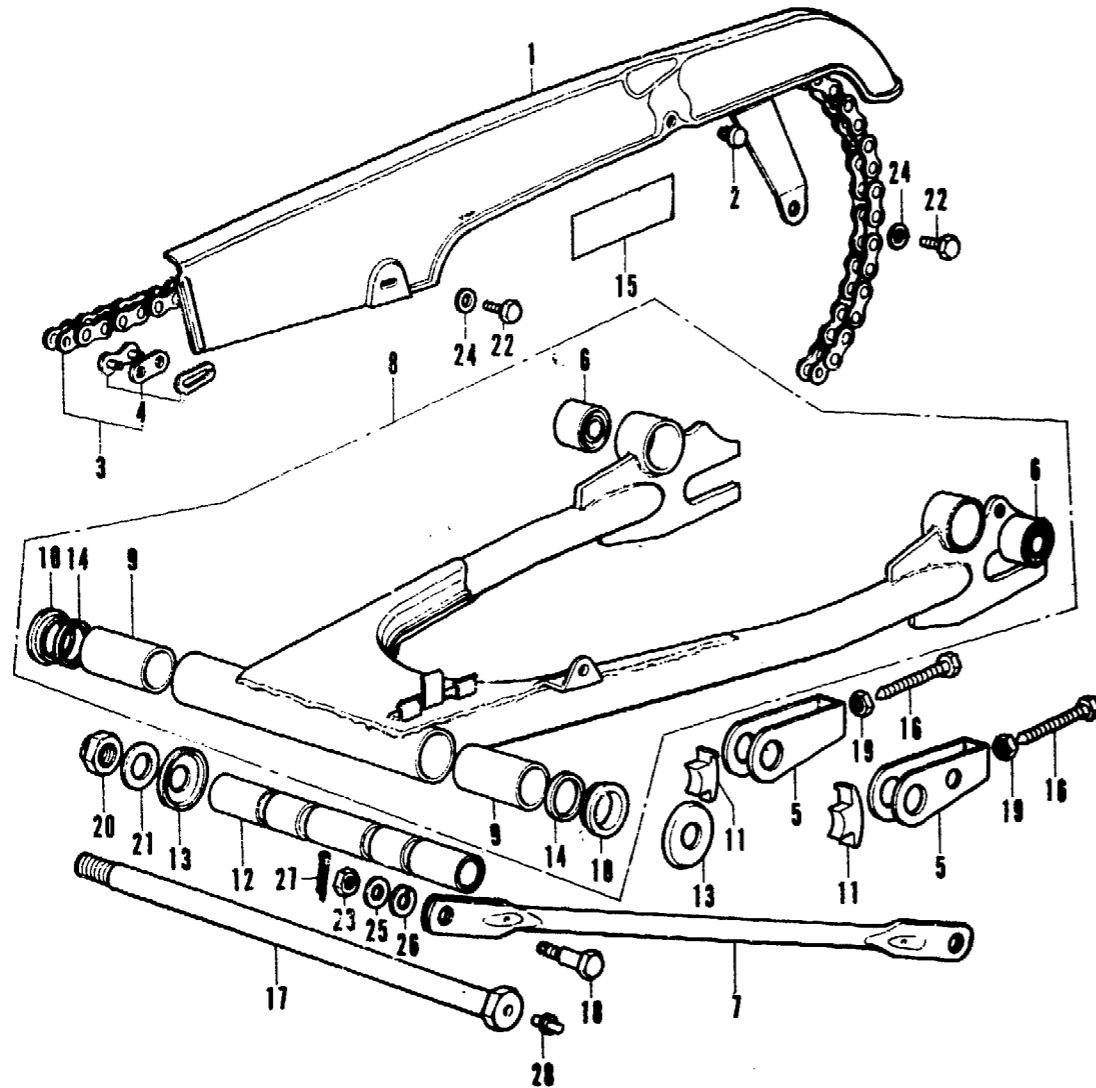


# E 9

## F-19 Chain case · Rear fork

## F-19 Chain case Rear fork

Courtesy of  Honda4Fun  
www.hondafour.com www.honda4fun.com



Ref. No.	Part No.	Description	Reqd. No. CB350 F F1	Serial No.	Area code
1	40510-333-000	CASE, DRIVE CHAIN	1 1		
2	40514-333-000	PLUG, CHAIN CASE	1 1		
3	40530-333-003	CHAIN, DRIVE (DID50DS-96L) (DAIDO)	1 1		
	40530-333-005	CHAIN, DRIVE (RK50S-96L) (TAKASAGO)	1 1		
4	40531-333-003	JOINT, DRIVE CHAIN (DID50DS) (DAIDO)	1 1		
	40531-333-005	JOINT, DRIVE CHAIN (RK50S) (TAKASAGO)	1 1		
5	40543-312-010	ADJUSTER, DRIVE CHAIN	2 2		
6	40548-268-000	BUSH, RR. CUSHION UNDER RUBBER	2 2		
7	43431-333-000	ARM, RR. BRAKE STOPPER	1 1		
8	52100-333-0008	FORK COMP., RR.	1 1		
9	52108-333-003	BUSH, RR. FORK PIVOT	2 2		
10	52109-283-300	BUSH, RR. FORK PIVOT THRUST	2 2	1074187 2002816	
	52108-457-300	BUSH, RR. FORK PIVOT	2 2	1074188 2002817	
11	52136-333-000	STOPPER, CHAIN ADJUSTER	2 2		
12	52141-333-000	COLLAR, RR. FORK CENTER	1 1		
13	52144-283-010	CAP, RR. FORK DUST SEAL	2 2	1074187 2002816	
	52144-362-000	CAP, RR. FORK DUST SEAL	2 2	1074188 2002817	
14	52145-283-000	RING, RR. FORK FELT	2 2	1074187 2002816	
15	87504-028-670	MARK, MUFFLER CAUTION	1 1		
16	90119-283-000	BOLT, CHAIN ADJUSTING	2 2		
17	90121-292-000	BOLT, RR. FORK PIVOT	1 1		
18	90133-286-000	BOLT, RR. BRAKE STOPPER ARM	1 1		
19	90307-283-000	NUT, CHAIN ADJUSTING	2 2		
20	90354-268-000	NUT, SELF LOCK, 14MM	1 1		
21	90526-216-000	WASHER, 14X26	1 1		
22	92000-06012	BOLT, HEX., 6X12	2 2		
23	94001-08000-0S	NUT, HEX., 8MM	1 1		
24	94101-06000	WASHER, PLAIN, 6MM	2 2		
25	94101-08000	WASHER, PLAIN, 8MM	1 1		
26	94111-10000	WASHER, SPRING, 10MM	1 1		
27	94201-20150	PIN, SPLIT, 2.0X15	1 1		
28	96201-30001	NIPPLE, GREASE, A.45	1 1		

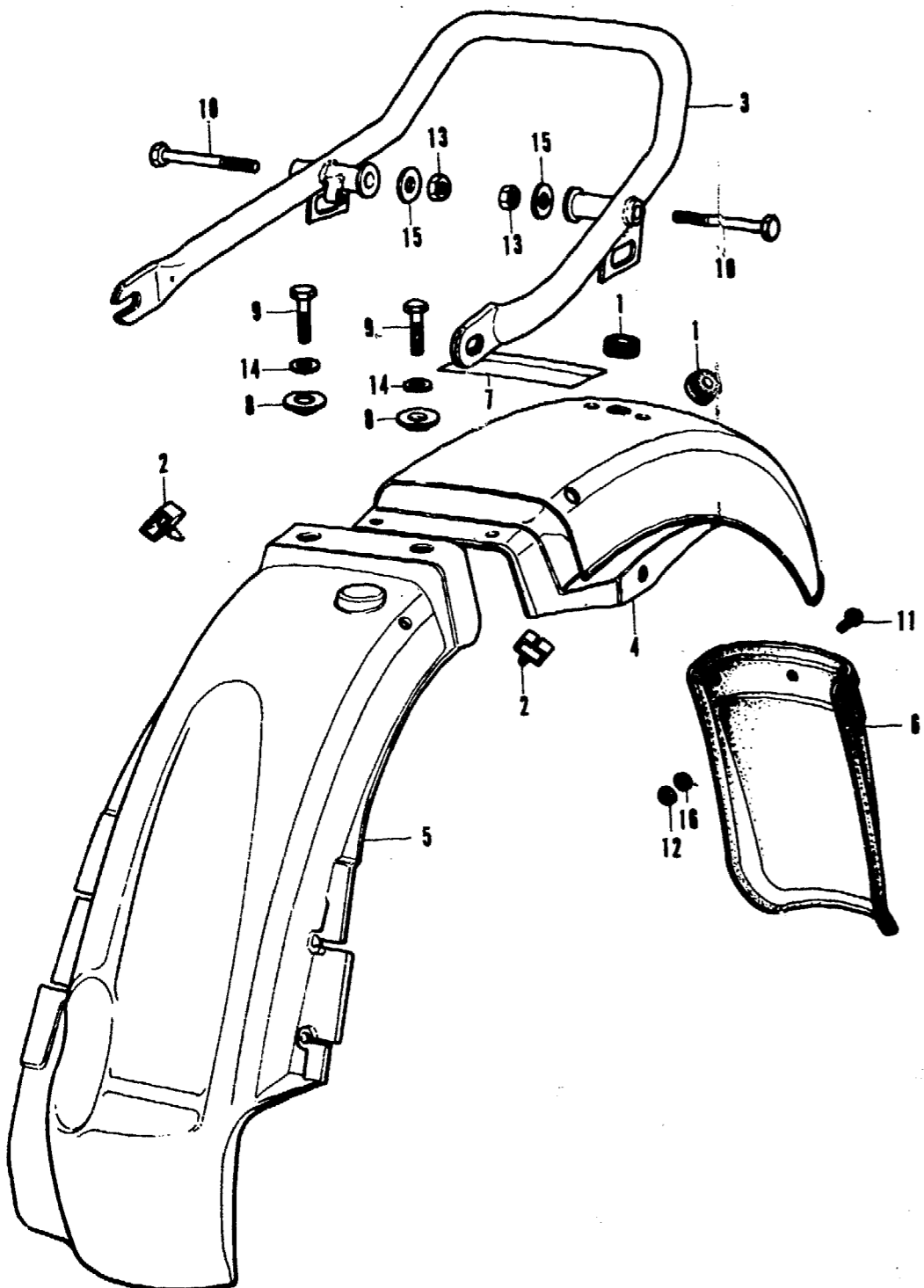
Courtesy of  Honda4Fun  
www.hondafour.com www.honda4fun.com

F-20 Rear fender

**E 10**

F-20 Rear fender

Courtesy of  Honda4Fun  
www.hondafour.com www.honda4fun.com



Ref. No.	Part No.	Description	Reqd. No. CB350 F F1	Serial No.	Area code
1	32983-011-000	GROMMET, WIRE CORD	2 2		
2	32985-300-000	GROMMET, WIRE CORD	2 2		
3	50400-333-000	PIPE, RR.	1 1		A,D,ED,F,IT
	50400-333-610	PIPE, RR.	1		G
4	80100-333-000XW	FENDER COMP., RR.	1 1		A,D,F
	80100-333-610XW	FENDER COMP., RR.	1		G
	80100-333-730XW	FENDER COMP., RR.	1		ED,IT
5	80105-333-000	FENDER B ASSY., RR.	1 1		
6	80121-317-731	MUDGUARD, RR. FENDER	1		ED,IT
7	87507-333-610	MARK, TIRE CAUTION	1		G
	87507-333-670	MARK, TIRE CAUTION	1 1		A
	87507-333-680	MARK, TIRE CAUTION	1		D,ED,F,IT
8	90512-300-000	WASHER, 6X20	2 2		
9	92000-06020	BOLT, HEX., 6X20	2 2		
10	93000-08065-08	BOLT, HEX., 8X65	2 2		
11	93500-06020-49	SCREW, PAN, 6X20	3		ED,IT
12	94001-06000	NUT, HEX., 6MM	3		ED,IT
13	94001-08000-05	NUT, HEX., 8MM	2 2		
14	94101-06000	WASHER, PLAIN, 6MM	2 2		
15	94101-08000	WASHER, PLAIN, 8MM	2 2		
16	94111-06000	WASHER, SPRING, 6MM	3		ED,IT

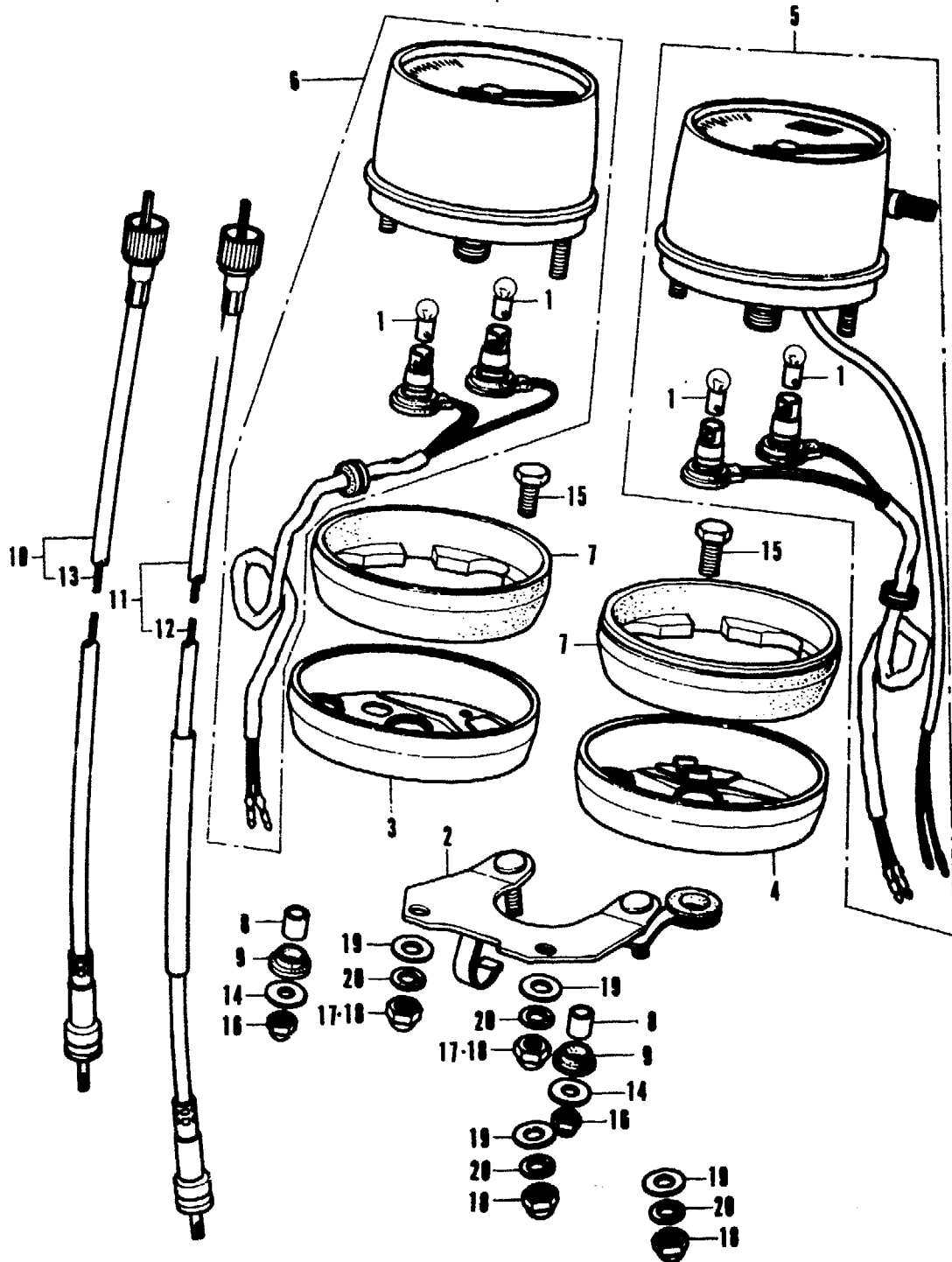
Courtesy of  Honda4Fun  
www.hondafour.com www.honda4fun.com

# E 11

## F-21 Speedometer · Tachometer

## F-21 Speedometer · Tachometer

Courtesy of  Honda4Fun  
www.hondafour.com www.honda4fun.com



Ref. No.	Part No.	Description	Reqd. No. CB350 F F1	Serial No.	Area code
1	34902-259-000	BULB, DASH (12V 3.4W)	4 4		
2	37211-333-008	BRACKET, METER (NIPPON SEIKI)	1 1		
3	37212-333-000	RING, R. METER SET	1	1013951	A
	37212-455-000	RING, R. METER SET	1 1	1013952	A D,ED,F,G,IT
4	37213-333-000	RING, L. METER SIDE	1	1013951	A
	37213-455-000	RING, L. METER SET	1 1	1013952	A D,ED,F,G,IT
5	37230-333-672	SPEEDMETER ASSY. (MPH)	1 1		A,D
	37230-333-680	SPEEDMETER ASSY. (KPH)	1		D,ED,F,G,IT
6	37240-333-008	TACHOMETER ASSY.	1 1		
7	37242-323-701	CUSHION, METER	2 2		
8	37243-323-000	COLLAR, METER SET	4	1013951	A
	37243-457-000	COLLAR, METER SET	4 4	1013952	A D,ED,F,G,IT
9	37244-307-670	RUBBER, METER SETTING	4 4		
10	37260-333-000	CABLE ASSY., TACHOMETER	1 1		
11	44830-323-000	CABLE ASSY., SPEEDOMETER	1 1		
12	44831-323-000	CABLE, SPEEDOMETER INNER	1 1		
13	44831-333-000	CABLE, SPEEDOMETER INNER	1 1		
14	90500-455-000	WASHER, METER MOUNT, 19MM	4		
	90525-030-000	WASHER B, HANDLE HOLDER SETTING	4	1013951	A
	90500-455-000	WASHER, METER MOUNT, 19MM	4 4	1013952	A D,ED,F,G,IT
15	92000-08016-0A	BOLT, HEX., 8X16	2		
	92000-08020-0A	BOLT, HEX., 8X20	2	1055093	A
	92000-08016-0A	BOLT, HEX., 8X16	2 2	1055094	A D,ED,F,G,IT
16	94021-06020	NUT, CAP, 6MM	4 4		
17	94021-08000-0S	NUT, CAP, 8MM	2 2	1055094	A,D,ED,F,G IT
18	94021-08020-0S	NUT, CAP, 8MM	4 4		1055093 A
			4 4		1055093 D,ED,F,G
			4 4		1055093 IT
			2 2	1055094	A,D,ED,F,G IT
19	94101-08000	WASHER, FLAIN, 8MM	4 4		
20	94111-08000	WASHER, SPRING, 8MM	4 4		

Courtesy of  Honda4Fun  
www.hondafour.com www.honda4fun.com

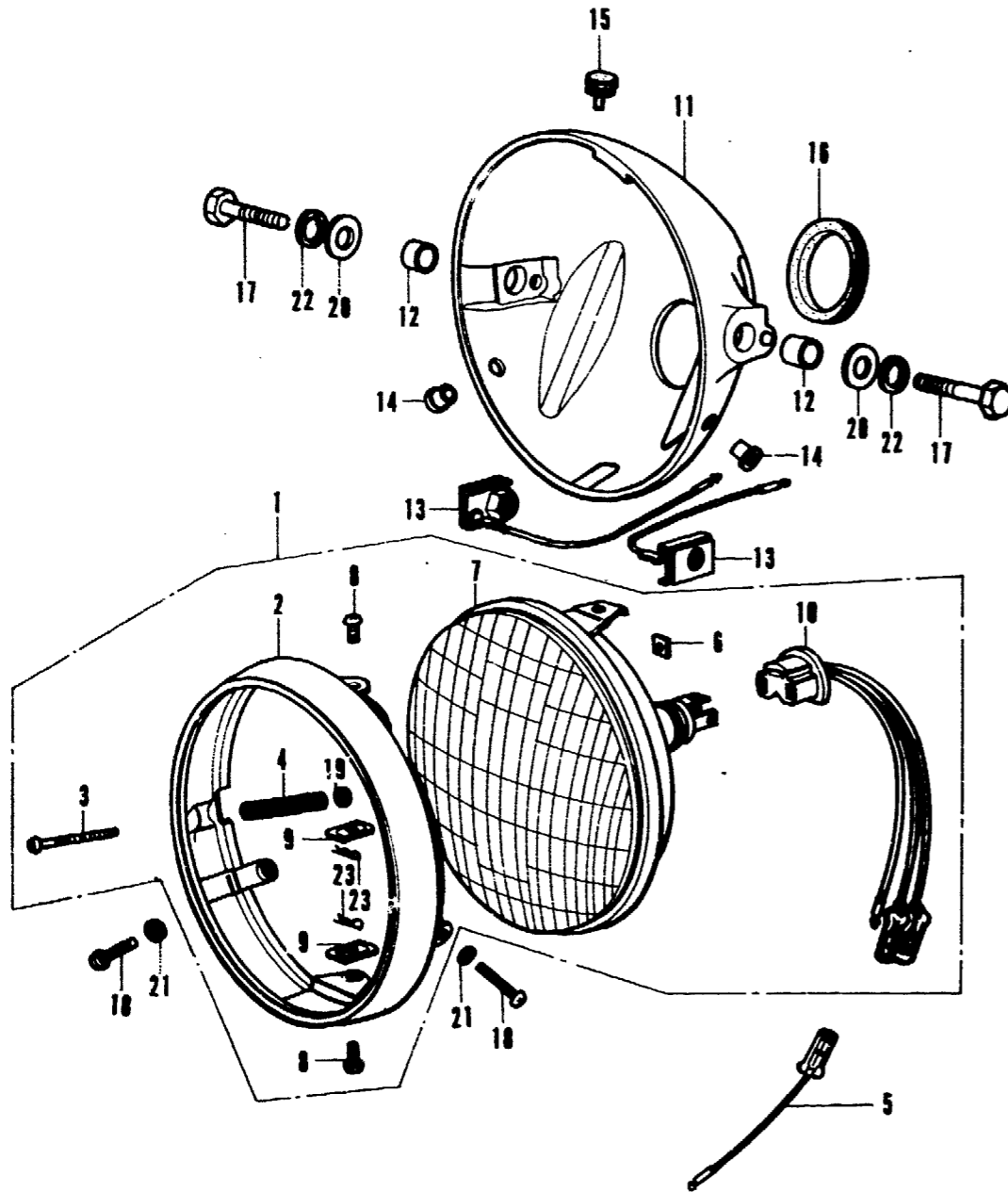
F-22 Head light - Case (A,D)

E 12

F-22 Head light - Case (A,D)

Courtesy of  Honda4Fun  
www.hondafour.com www.honda4fun.com

Ref. No.	Part No.	Description	Reqd. No.		Serial No.	Area code
			CB350	F F1		
1	33100-333-671	HEADLIGHT ASSY.	1	1		A,D
2	33101-333-670	RIM, HEAD LIGHT	1	1		A,D
3	33103-333-000	SCREW, BEAM ADJUSTING, 4MM	1	1		A,D
4	33107-333-000	SPRING, HEADLIGHT BEAM ADJUSTING	1	1		A,D
5	33109-333-680	CORD, HEADLIGHT SUB	1			D
6	33117-292-003	NUT, BEAM ADJUST	1	1		A,D
7	33120-333-670	HEADLIGHT UNIT (12V 50/35W)	1	1		A,D
8	33125-087-761	SCREW, UNIT HOLDER	2	2		A,D
9	33128-200-033	NUT, UNIT HOLDER	2	2		A,D
10	33130-333-000	SOCKET COMP., HEADLIGHT	1	1		A,D
11	61301-333-003B	CASE, HEADLIGHT	1	1		A,D
12	61302-292-000	COLLAR, HEADLIGHT CASE	2	2		A,D
13	61303-336-000	WASHER, HEADLIGHT CASE	2	2		A,D
14	61304-292-000	COLLAR, HEADLIGHT SETTING	2	2		A,D
15	61305-333-010	GROMMET, HEADLIGHT CASE	1	1		A,D
16	61306-333-003	GROMMET, HEADLIGHT CASE	1	1		A,D
17	92000-10032-08	BOLT, HEX., 10X32	2	2		A,D
18	93500-05016-08	SCREW, PAN, 5X16	2	2		A,D
19	94101-04000	WASHER, PLAIN, 4MM	1	1		A,D
20	94101-10000	WASHER, PLAIN, 10MM	2	2		A,D
21	94111-05200	WASHER, SPRING, 5MM	2	2		A,D
22	94111-10000	WASHER, SPRING, 10MM	2	2		A,D
23	94251-05000	PIN, LOCK, 5MM	2	2		A,D

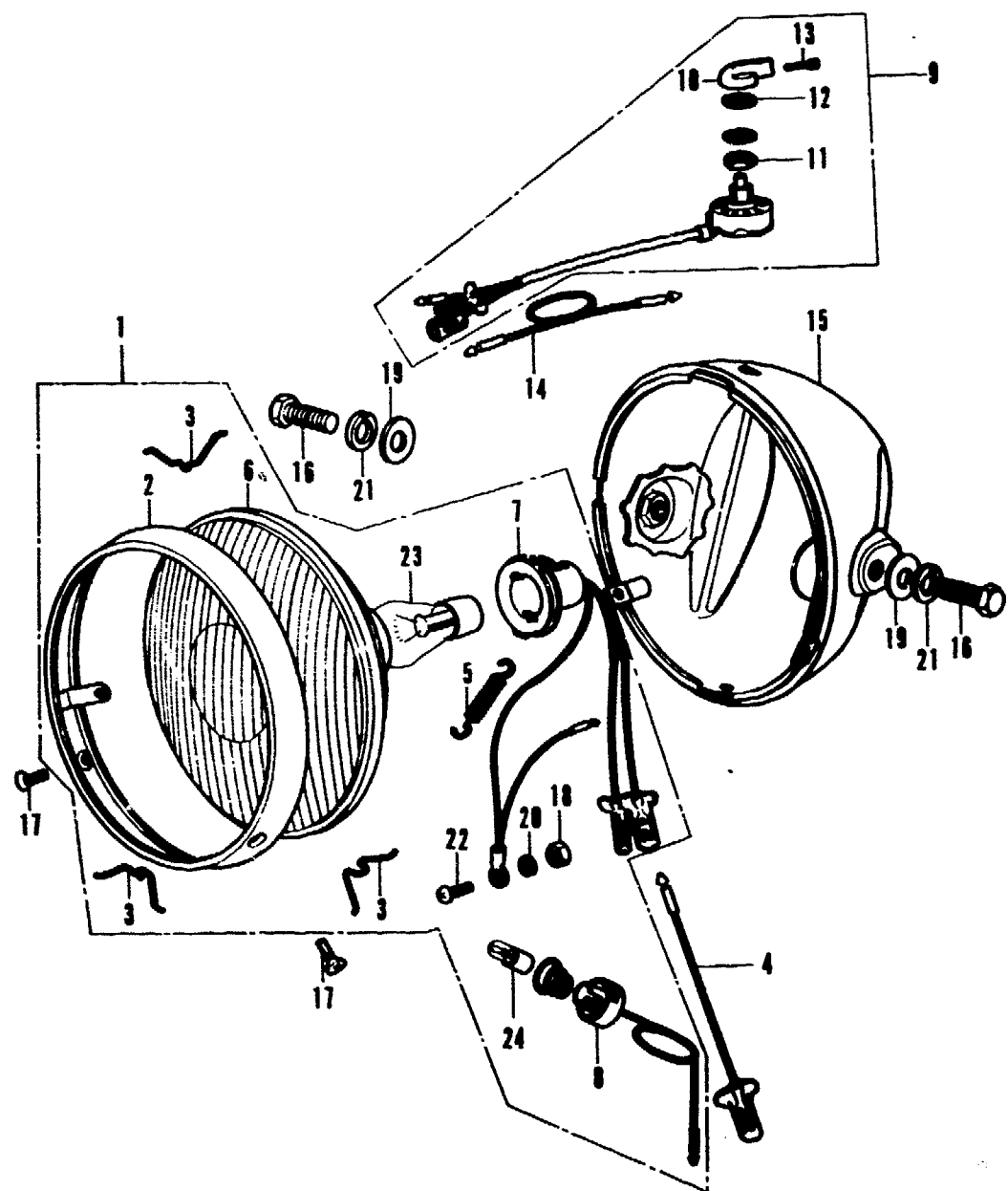


Courtesy of  Honda4Fun  
www.hondafour.com www.honda4fun.com

F-22-1 Head light · Case (ED,G,IT)

**E 13**

F-22-1 Head light · Case (ED,G,IT)



Ref. No.	Part No.	Description	Reqd. No. CB350 F F1	Serial No.	Area code
1	33100-286-611	HEADLIGHT ASSY. (12V 35/35-4W)	1		ED,G,IT
2	33101-283-601	RIM, HEADLIGHT	1		ED,G,IT
3	33108-268-000	SPRING, HEADLIGHT UNIT SETTING	3		ED,G,IT
4	33109-333-680	CORD, HEADLIGHT SUB	1		ED,G,IT
5	33115-283-601	SPRING, SOCKET HOLDER	1		ED,G,IT
6	33120-283-601	HEADLIGHT UNIT	1		ED,G,IT
7	33130-286-611	SOCKET, HEADLIGHT	1		ED,G,IT
8	33170-286-611	SOCKET, MARKER LIGHT	1		ED,G,IT
9	35150-333-620	SWITCH ASSY., LIGHTING	1		ED,G,IT
10	35151-292-751	KNOB, LIGHTING SWITCH	1		ED,G,IT
11	35152-268-000	NUT, LIGHTING SWITCH	1		ED,G,IT
12	35153-268-000	WASHER, LIGHTING SWITCH	1		ED,G,IT
13	35154-268-000	SCREW, LIGHTING SWITCH SET	1		ED,G,IT
14	35303-333-610	CORD, LIGHTING SWITCH SUB	1		ED,G,IT
15	61301-333-610B	CASE, HEADLIGHT	1		ED,G,IT
16	92000-10020-08	BOLT, HEX., 10X20	2		ED,G,IT
17	93700-05010-08	SCREW, OVAL, 5X10	2		ED,G,IT
18	94001-03000-05	NUT, HEX., 3MM	1		ED,G,IT
19	94101-10000	WASHER, PLAIN, 10MM	2		ED,G,IT
20	94111-03000	WASHER, SPRING, 3MM	1		ED,G,IT
21	94111-10000	WASHER, SPRING, 10MM	2		ED,G,IT
22	99500-03006-0A	SCREW, HOLLOW PAN, 3X6	1	1070099	ED,G,IT
	93500-03006-0H	SCREW, PAN, 3X6	1	1070100	ED,G,IT
23		BULB, HEADLIGHT ( LOCAL PROCUREMENT )	1		ED,G,IT
24		BULB, DASH ( LOCAL PROCUREMENT )	1		ED,G,IT



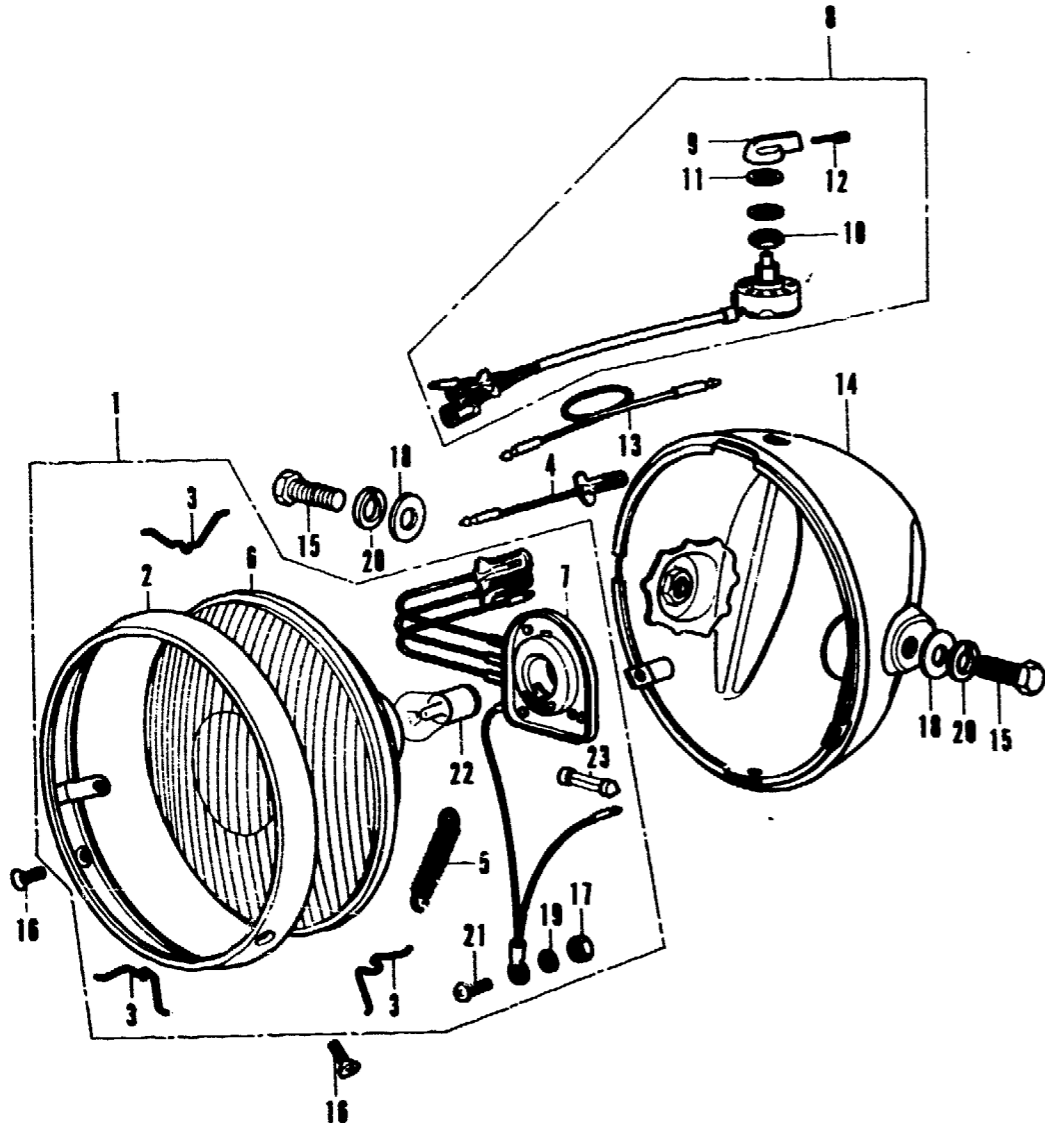
F-22-2 Head light • Case (F)

**E 14**

F-22-2 Head light • Case (F)



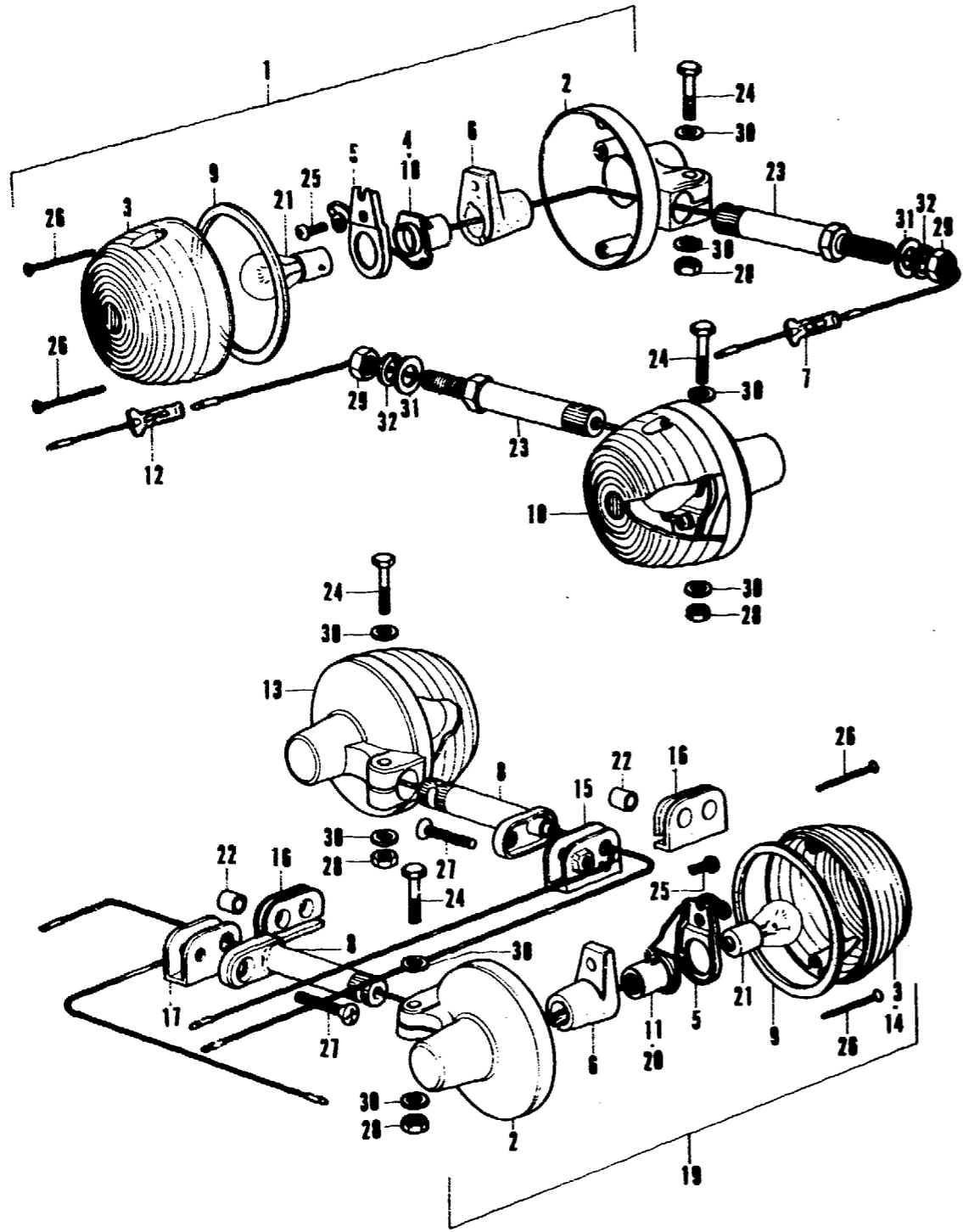
Ref. No.	Part No.	Description	Reqd. No. CB350 F FI	Serial No.	Area code
1	33100-286-622	HEADLIGHT ASSY. (12V 36/36-4W)	1		F
2	33101-286-621	RIM, HEADLIGHT	1		F
3	33108-268-000	SPRING, HEADLIGHT UNIT SETTING	3		F
4	33109-333-680	CORD, HEADLIGHT SUB	1		F
5	33115-286-621	SPRING, SOCKET HOLDER	1		F
6	33120-286-621	HEADLIGHT UNIT	1		F
7	33130-286-622	SOCKET ASSY., HEADLIGHT	1		F
8	35150-333-620	SWITCH ASSY., LIGHTING	1		F
9	35151-292-751	KNOB, LIGHTING SWITCH	1		F
10	35152-268-000	NUT, LIGHTING SWITCH	1		F
11	35153-268-000	WASHER, LIGHTING SWITCH	1		F
12	35154-268-000	SCREW, LIGHTING SWITCH SET	1		F
13	35303-333-610	CORD, LIGHTING SWITCH SUB	1		F
14	61301-333-610B	CASE, HEADLIGHT	1		F
15	92000-10020-08	BOLT, HEX., 10X20	2		F
16	93700-05010-08	SCREW, OVAL, 5X10	2		F
17	94001-03000-05	NUT, HEX., 3MM	1		F
18	94101-10000	WASHER, PLAIN, 10MM	2		F
19	94111-03000	WASHER, SPRING, 3MM	1		F
20	94111-10000	WASHER, SPRING, 10MM	2		F
21	99500-03006-0A	SCREW, HOLLOW PAN, 3X6	1	1070099	F
	93500-03006-0H	SCREW, PAN, 3X6	1	1070100	F
22		BULB, HEADLIGHT ( LOCAL PROCUREMENT )	1		F
23		BULB, PARKING LIGHT ( LOCAL PROCUREMENT )	1		F



F-23 Turn signal (A,D,ED,F,IT)

**E 15**

F-23 Turn signal (A,D,ED,F,IT)



Ref. No.	Part No.	Description	Reqd. No. CB350 F FI	Serial No.	Area code
1	33400-292-670	WINKER ASSY., R. FR.	1	1040853	A D
	33600-306-670	WINKER ASSY., R. RR.	1		
	33400-292-003	WINKER ASSY., R. FR. (STANLEY)	1		F
	33400-317-730	WINKER ASSY., R. FR.	1		ED, IT
	33600-306-670	WINKER ASSY., R. RR.	1	1040854	A
2	33401-292-003	BASE, R. FR. WINKER (STANLEY)	4	4	A, D, ED, F, IT
3	33402-268-671	LENS, FR. WINKER	4	4	A, D, F, ED, IT
4	33402-292-003	SOCKET COMP., R. FR. WINKER (STANLEY)	1		1040853 A
			1		D, ED, F, IT
	33610-306-670	SOCKET COMP., R. RR. WINKER	1	1	1040854 A
5	33407-284-000	HOLDER, FR. WINKER SOCKET	4	4	A, D, ED, F, IT
6	33408-284-000	RUBBER, WINKER CUSHION 33408-341-701	4	4	1072359 A, D, ED, F, IT
			4	4	2004430
	33408-341-701	RUBBER, WINKER CUSHION	4	4	1072360 A, D, ED, F, IT
			4	4	2004431
7	33410-292-000	SUB CORD, R. FR. WINKER	1		1040853 A
			1		D, ED, F, IT
8	33441-333-000	STAY, RR. WINKER	2		1040853 A
			2		D, ED, F, IT
	33441-455-670	STAY, RR. WINKER	2	2	1040854 A
9	33443-268-671	PACKING, FR. WINKER LENS	4	4	A, D, ED, F, IT
10	33450-292-670	WINKER ASSY., L. FR.	1		1040853 A
			1		D
	33650-306-670	WINKER ASSY., L. RR.	2		
	33450-292-003	WINKER ASSY., L. FR. (STANLEY)	1		F
	33450-317-730	WINKER ASSY., L. FR.	1		ED, IT
	33650-306-670	WINKER ASSY., L. RR.	2	1040854	A
11	33453-292-003	SOCKET COMP., L. FR. WINKER (STANLEY)	1		1040853 A
			1		D, ED, F, IT
	33660-306-670	SOCKET COMP., L. RR. WINKER	2	2	1040854 A
12	33460-292-650	SUB CORD, L. FR. WINKER	1		1040853 A
			1		D, ED, F, IT
13	33600-300-000	WINKER ASSY., R. RR.	1	1	A, D
	33600-333-620	WINKER ASSY., R. RR.	1		F
	33600-333-730	WINKER ASSY., R. RR.	1		ED, IT
14	33602-323-631	LENS, RR. WINKER	2		ED, IT
15	33605-333-000	STOPPER, R. RR. WINKER	1	1	A, D, ED, F, IT
16	33606-074-010	RUBBER, RR. WINKER MOUNT	2	2	A, D, ED, F, IT
17	33609-333-000	STOPPER, L. RR. WINKER	1	1	A, D, ED, F, IT
18	33610-300-000	SOCKET COMP., R. RR. WINKER	1	1	A, D, ED, F, IT
19	33650-333-000	WINKER ASSY., L. RR.	1		1040853 A
			1		D
	33650-333-620	WINKER ASSY., L. RR.	1		F
	33650-333-730	WINKER ASSY., L. RR.	1		ED, IT
20	33660-333-003	SOCKET COMP., L. RR. WINKER	1		1040853 A
			1		D, ED, F, IT

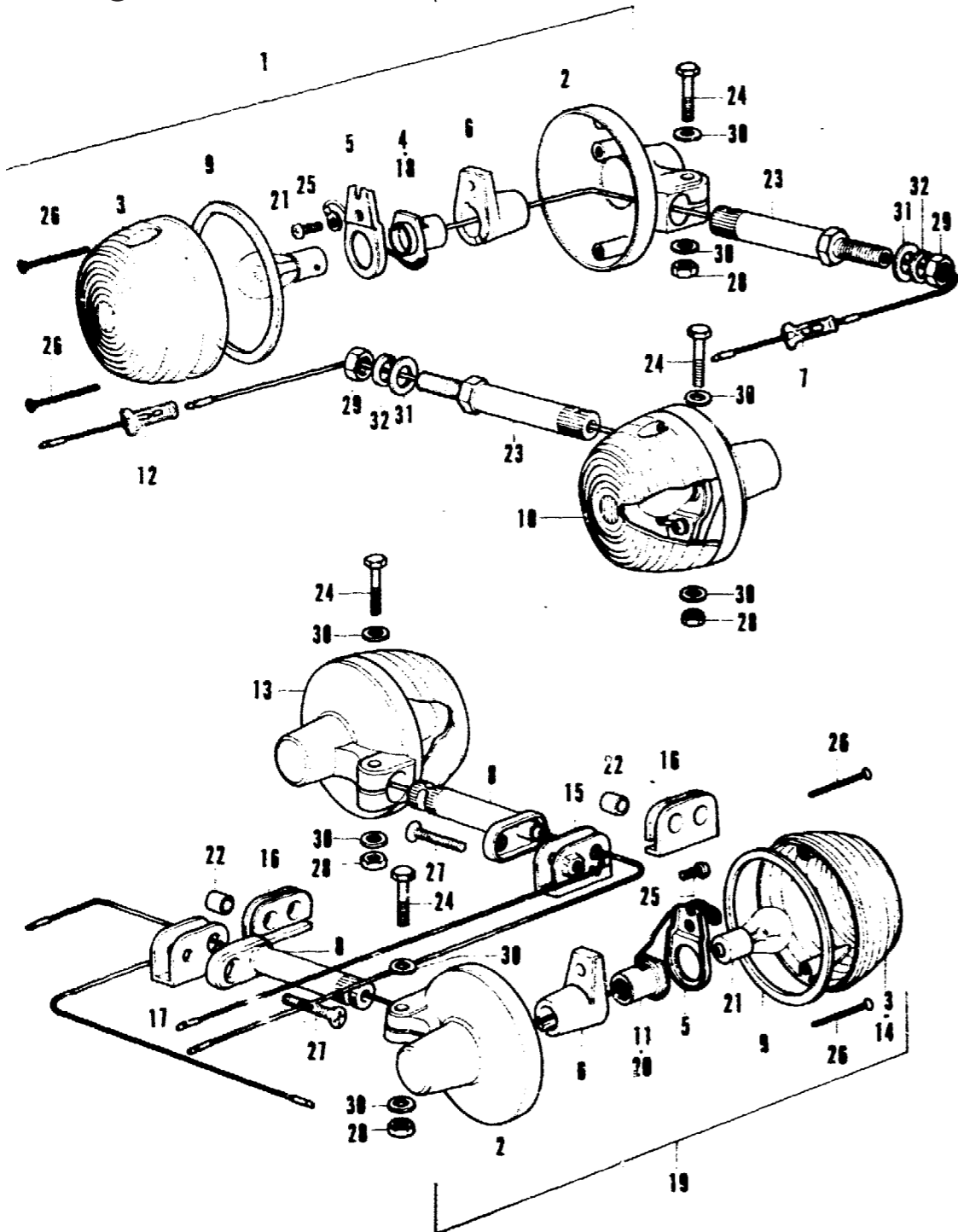
F-23 Turn signal (A,D,ED,F,IT)

**E 16**

F-23 Turn signal (A,D,ED,F,IT)

Courtesy of  Honda4Fun  
www.hondafour.com www.honda4fun.com

Ref. No.	Part No.	Description	Reqd. No.		Serial No.	Area code
			CB350	F F1		
21	34905-268-671	BULB, WINKER (12V 23W)	4	4		A,D
	34905-284-000	BULB, WINKER (12V 10W)	4			F
22	80108-061-010	COLLAR A, RR. FENDER	2	2		A,D,ED,F,IT
23	90154-268-670	BOLT, HEADLIGHT CASE SETTING	2		1040853	A
			2			D,F
	90154-455-670	BOLT, FR. WINKER SETTING		2		
	90154-346-610	BOLT, FR. WINKER SETTING	2			ED,IT
	90154-455-670	BOLT, FR. WINKER SETTING	2		1040854	A
24	92000-06028-02	BOLT, HEX., 6X28	4	4		A,D,ED,F,IT
25	93500-05008-0A	SCREW, PAN, 5X8	4	4		A,D,ED,F,IT
26	93700-03025-0B	SCREW, OVAL, 3X25	8	8		A,D,ED,F,IT
27	93700-06025-02	SCREW, OVAL, 6X25	2	2		A,D,ED,F,IT
28	94001-06000	NUT, HEX., 6MM	4	4		A,D,ED,F,IT
29	94001-10000-0S	NUT, HEX., 10MM	2	2		A,D,ED,F,IT
30	94101-06000	WASHER, PLAIN, 6MM	8	8		A,D,ED,F,IT
31	94101-10000	WASHER, PLAIN, 10MM	2	2		A,D,ED,F,IT
32	94111-10000	WASHER, SPRING, 10MM	2	2		A,D,ED,F,IT



Courtesy of  Honda4Fun  
www.hondafour.com www.honda4fun.com

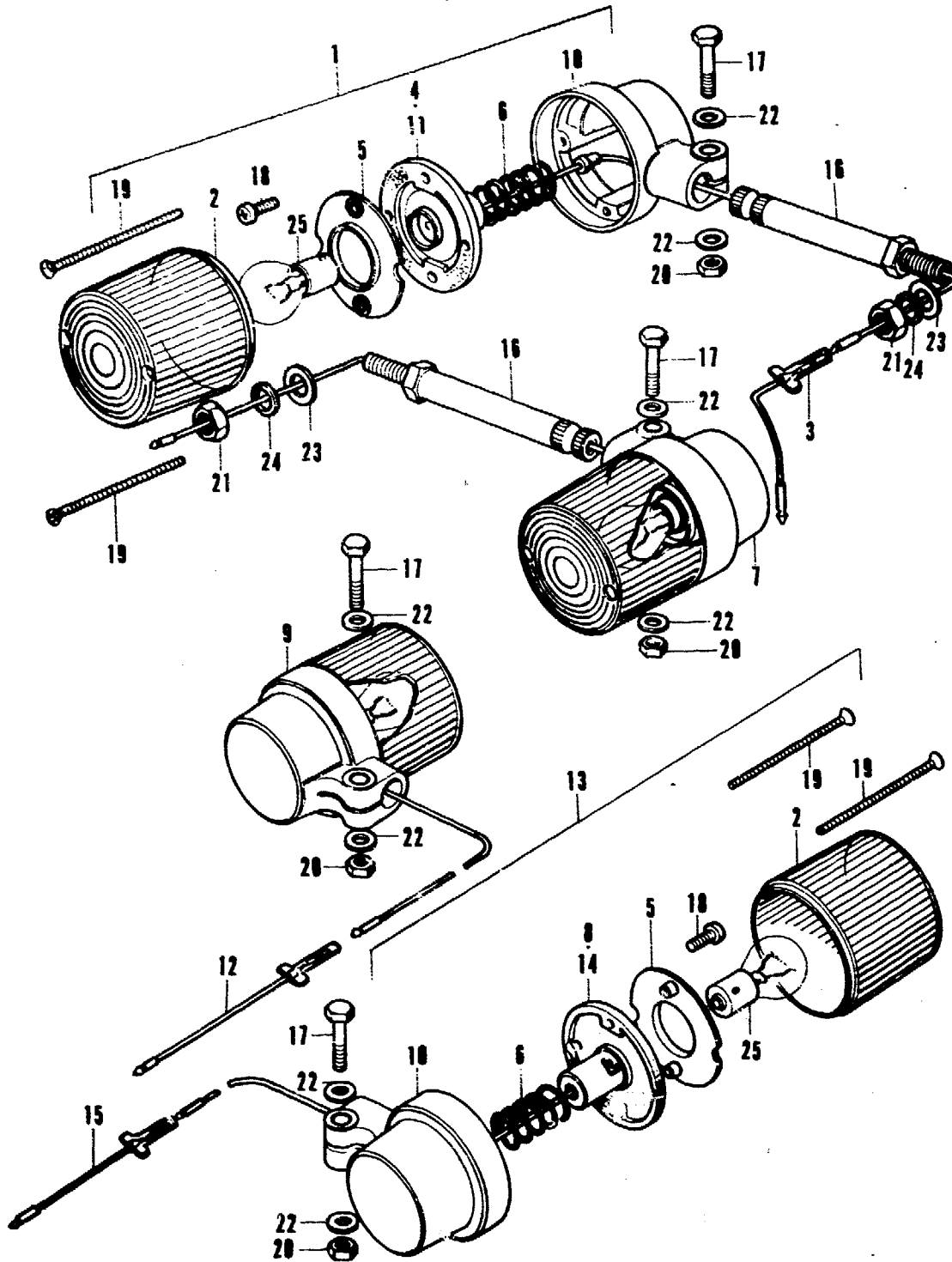


F-23-1 Turn signal (G)



F-23-1 Turn signal (G)

Courtesy of  Honda4Fun  
www.hondafour.com www.honda4fun.com



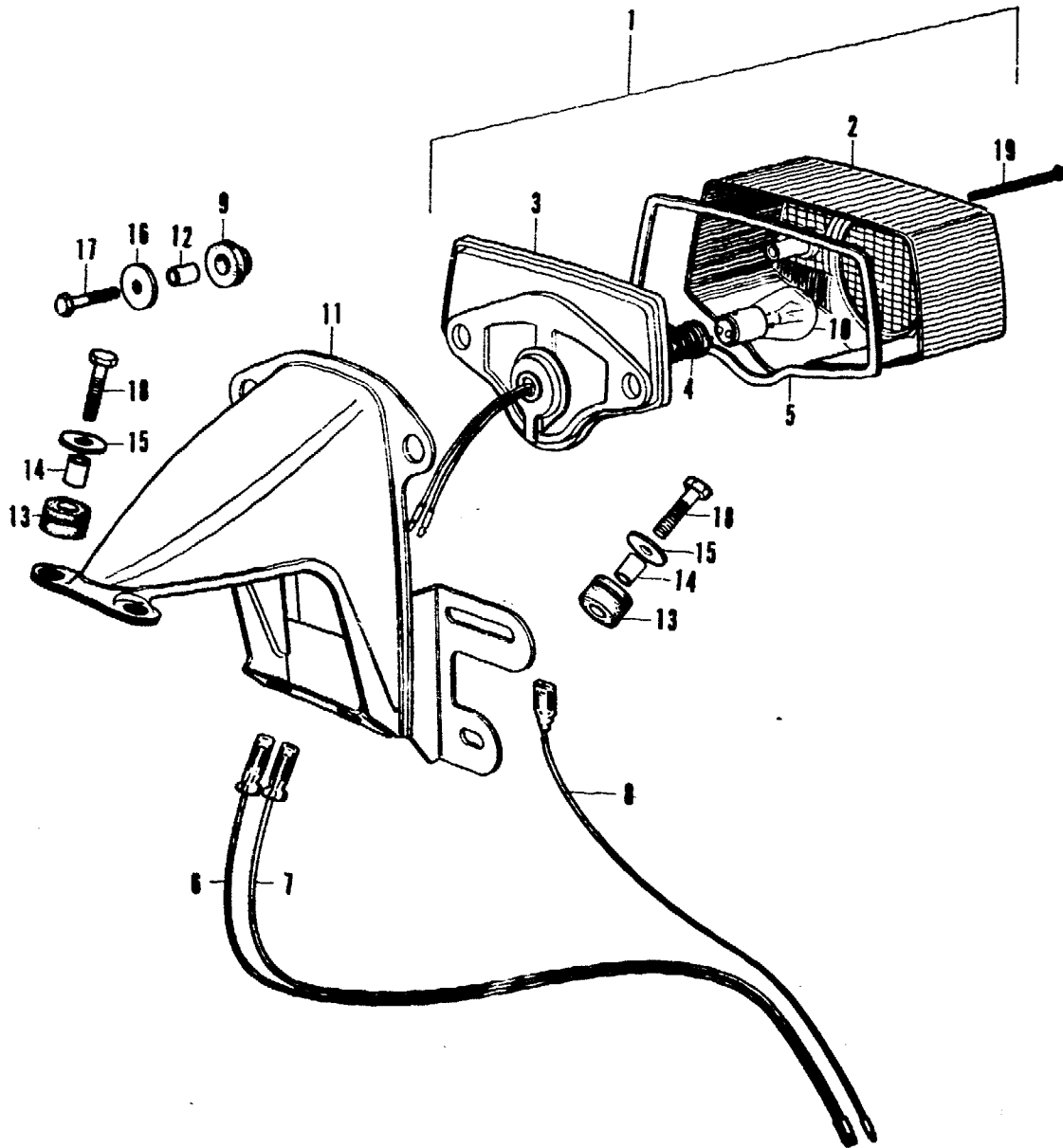
Ref. No.	Part No.	Description	Reqd. No. CB350 F FI	Serial No.	Area code
1	33400-292-611	WINKER ASSY., R. FR. 33400-292-612	1	1034631	G
	33400-292-612	WINKER ASSY., R. FR.	1	1034632	G
2	33402-268-610	LENS, FR. WINKER	4		G
3	33410-292-000	SUB CORD, R. FR. WINKER	1		G
4	33410-292-610	SOCKET ASSY., R. FR. WINKER	1		G
5	33411-285-000	RING, WINKER 33403-285-010	4	1034631	G
	33403-285-010	RING, WINKER	4	1034632	G
6	33413-295-000	SPRING, COIL	4		G
7	33450-292-611	WINKER ASSY., L. FR. 33450-292-612	1	1034631	G
	33450-292-612	WINKER ASSY., L. FR.	1	1034632	G
8	33460-292-610	SOCKET ASSY., L. FR. WINKER	1		G
9	33600-292-610	WINKER ASSY., R. RR. 33600-292-611	1	1034631	G
	33600-292-611	WINKER ASSY., R. RR.	1	1034632	G
10	33605-292-610	BASE, WINKER	4		G
11	33610-292-610	SOCKET ASSY., R. RR. WINKER	1		G
12	33616-304-650	SUB CORD, R. WINKER	1		G
13	33650-292-610	WINKER ASSY., L. RR. 33650-292-611	1	1034631	G
	33650-292-611	WINKER ASSY., L. RR.	1	1034632	G
14	33660-292-610	SOCKET ASSY., L. RR. WINKER	1		G
15	33666-304-650	SUB CORD, L. RR. WINKER	1		G
16	90154-346-610	BOLT, FR. WINKER SETTING	2		G
17	92000-06028-02	BOLT, HEX., 6X28	4		G
18	93500-03010-0A	SCREW, PAN, 3X10	8		G
19	93700-03048-0B	SCREW, OVAL, 3X48	8		G
20	94001-06000	NUT, HEX., 6MM	4		G
21	94001-10000-0S	NUT, HEX., 10MM	2		G
22	94101-06000	WASHER, PLAIN, 6MM	8		G
23	94101-10000	WASHER, PLAIN, 10MM	2		G
24	94111-10000	WASHER, SPRING, 10MM	2		G
25		BULB, TURN SIGNAL (LOCAL PROCUREMENT)	4		G



# F 3

## F-24-1 Tail light (ED,F,IT)

## F-24-1 Tail light (ED,F,IT)



Ref. No.	Part No.	Description	Reqd. No. CB350 F FI	Serial No.	Area code
1	33701-333-620	TAILLIGHT ASSY.	1		ED,F,IT
2	33702-323-603	LENS, TAILLIGHT	1		ED,F,IT
3	33703-333-620	BASE, TAILLIGHT	1		ED,F,IT
4	33708-077-671	CORD COMP., TAILLIGHT	1		ED,F,IT
5	33709-077-671	PACKING, TAILLIGHT LENS	1		ED,F,IT
6	33710-333-000	SUB CORD, STOP LIGHT	1		ED,F,IT
7	33711-333-000	SUB CORD, TAILLIGHT	1		ED,F,IT
8	33712-300-003	CORD, TAILLIGHT EARTH	1		ED,F,IT
9	33719-077-671	PACKING B, TAILLIGHT BASE	2		ED,F,IT
10	34906-594-602	BULB, TAIL & STOP LIGHT (12V 21/5W)	1		ED,F,IT
11	84701-333-620B	BRACKET, NUMBER PLATE	1		ED,F,IT
12	84706-342-000	COLLAR, TAILLIGHT UNIT	2		ED,F,IT
13	84905-333-000	RUBBER, CUSHION	4		ED,F,IT
14	84906-118-000	COLLAR, NUMBER BRACKET	4		ED,F,IT
15	90525-030-000	WASHER B, HANDLE HOLDER SETTING	4		ED,F,IT
16	90581-342-000	WASHER, 20MM	2		ED,F,IT
17	92000-05020-0A	BOLT, HEX., 5X20	2		ED,F,IT
18	92000-06025-02	BOLT, HEX., 6X25	4		ED,F,IT
19	93500-04050-4J	SCREW, PAN, 4X50	2		ED,F,IT

B333-58

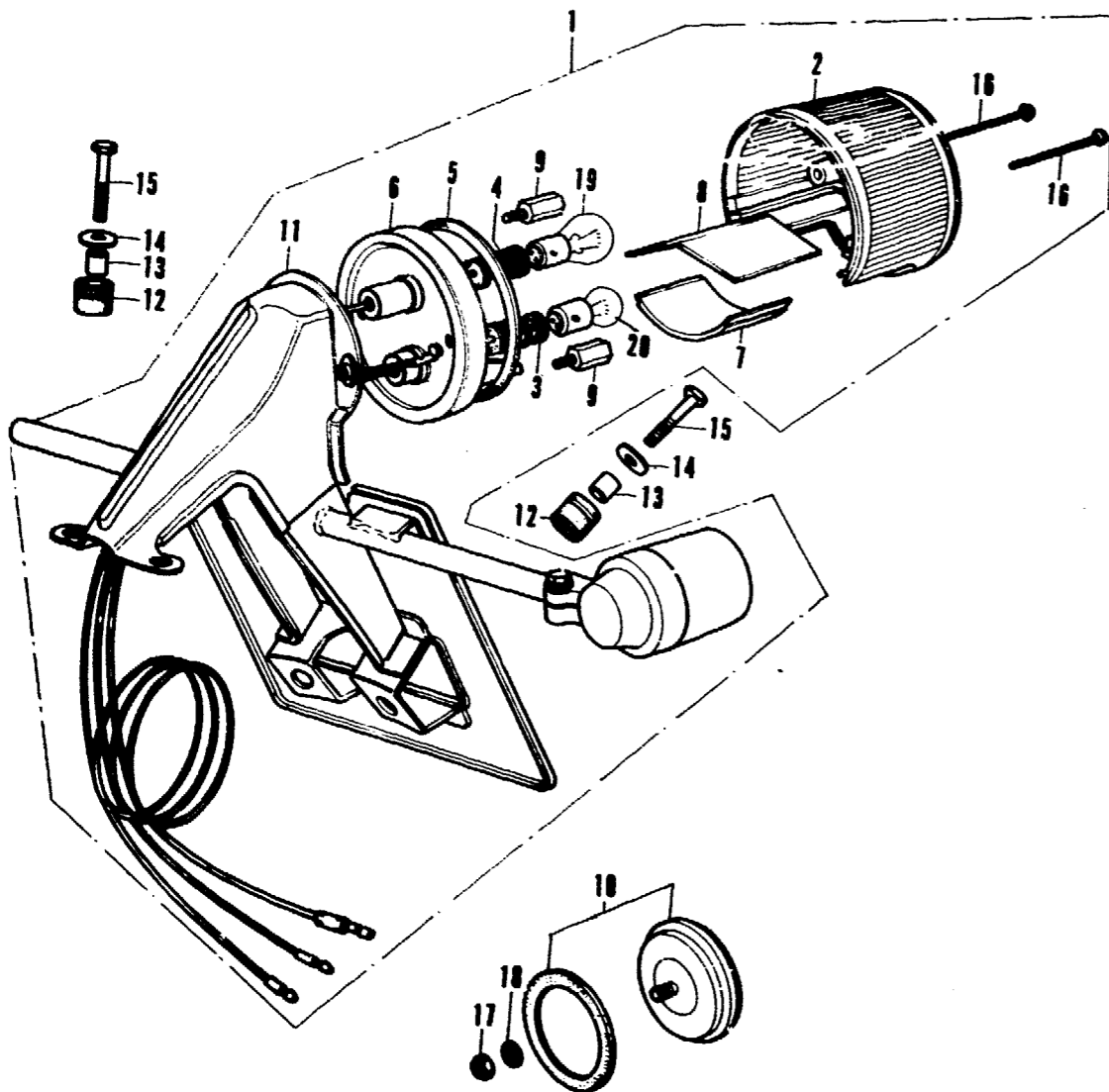


F-24-2 Tail light (G)



F-24-2 Tail light (G)

Courtesy of  Honda4Fun  
 www.hondafour.com www.honda4fun.com



Ref. No.	Part No.	Description	Reqd. No. CB350 F F1	Serial No.	Area code
1	33700-292-610	TAILLIGHT ASSY. (12V 18/5W)	1		G
2	33701-051-000	LENS, TAIL & STOP LIGHT	1		G
3	33707-292-610	CORD COMP., TAILLIGHT	1		G
4	33708-292-610	CORD, STOP LIGHT	1		G
5	33709-051-000	PACKING, TAILLIGHT LENS	1		G
6	33710-292-610	SOCKET, TAILLIGHT	1		G
7	33715-051-000	LENS, LICENSE	1		G
8	33716-051-000	PLATE, INTERCEPTION	1		G
9	33717-292-610	BOLT, TAILLIGHT SETTING	2		G
10	33741-333-610	REFLECTOR, REFLEX	1		G
11	84701-292-610B	BRACKET, NUMBER PLATE	1		G
12	84905-333-000	RUBBER, CUSHION	4		G
13	84906-118-000	COLLAR, NUMBER BRACKET	4		G
14	90525-030-000	WASHER B, HANDLE HOLDER SETTING	4		G
15	92000-06025-02	BOLT, HEX., 6X25	4		G
16	93500-03045-0B	SCREW, PAN, 3X45	2		G
17	94001-06000	NUT, HEX., 6MM	1		G
18	94111-06000	WASHER, SPRING, 6MM	1		G
19		BULB, TAILLIGHT STOP ( LOCAL PROCUREMENT )	1		G
20		BULB, TAILLIGHT ( LOCAL PROCUREMENT )	1		G

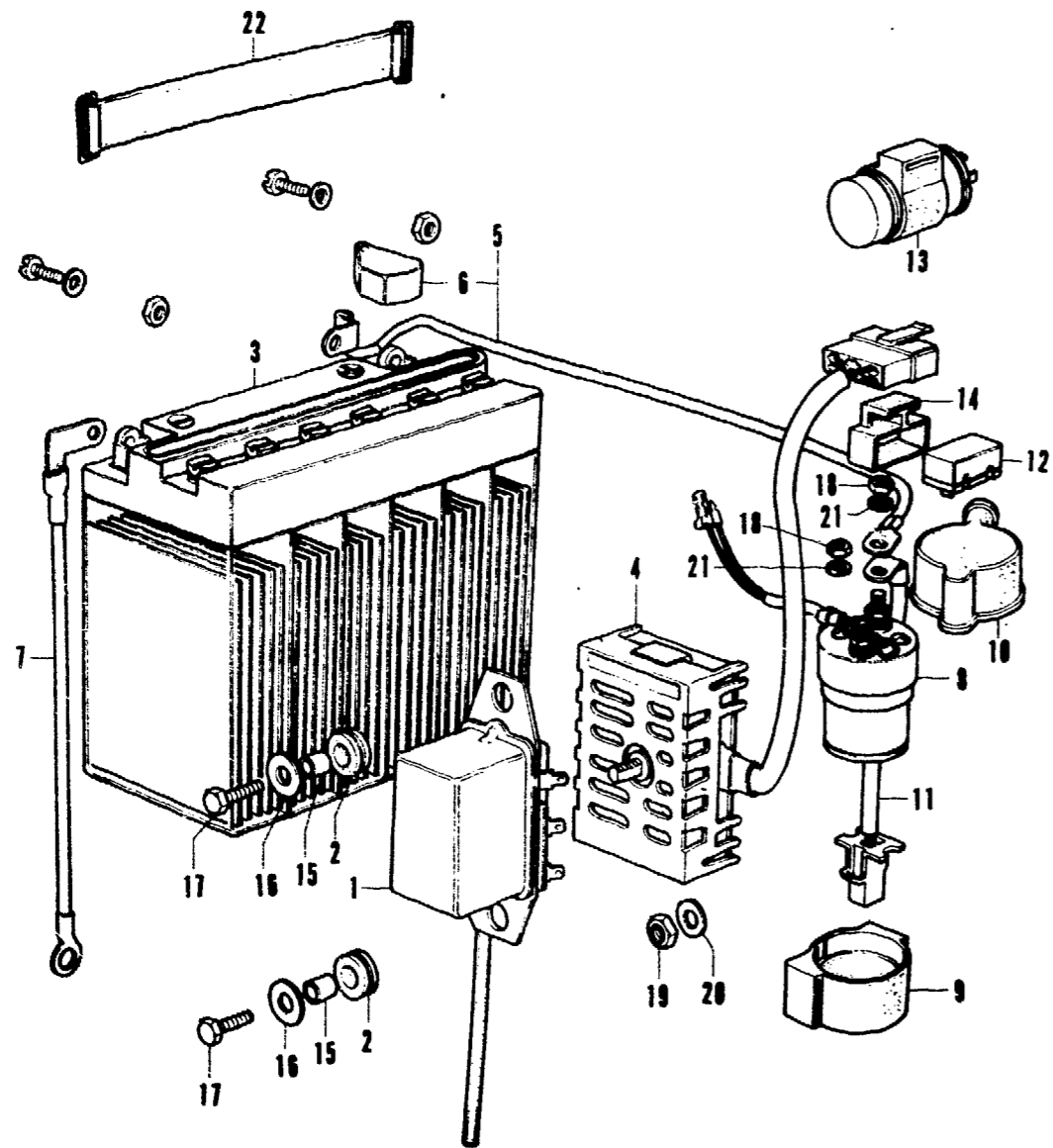
Courtesy of  Honda4Fun  
 www.hondafour.com www.honda4fun.com

F-25 Battery · Electric



F-25 Battery · Electric

Courtesy of  Honda4Fun  
www.hondafour.com www.honda4fun.com



Ref. No.	Part No.	Description	Reqd. No. CB350 F F1	Serial No.	Area code
1	31400-333-004	REGULATOR ASSY. (ND)	1 1		
2	31403-323-000	RUBBER, REGULATOR CUSHION	2 2		
3	31500-310-671	BATTERY ASSY. (12V. 12A)	1 1		
4	31700-333-008	RECTIFIER ASSY., SILICON	1 1		
5	32401-333-000	CABLE, STARTER BATTERY	1 1		
6	32412-333-000	COVER, BATTERY TERMINAL	1 1		
7	32601-286-000	CABLE, BATTERY EARTH	1 1		
8	35850-306-670	SWITCH ASSY., STARTER MAGNETIC	1 1		
9	35856-323-000	SUSPENSION, MAGNETIC SWITCH	1 1		
10	35857-333-000	COVER, MAGNETIC SWITCH	1 1		
11	35858-333-000	CORD, MAGNETIC SUB	1 1		
12	38300-292-670	RELAY ASSY., WINKER (SIGNAL STAT)	1 1		A
13	38300-300-000	RELAY ASSY., WINKER	1	1067094	D
	38300-300-610	RELAY ASSY., WINKER	1		ED,G,IT
	38300-333-621	RELAY ASSY., WINKER	1		F
	38300-369-004	RELAY ASSY., WINKER (ND)	1	1067095	D
14	38306-107-670	SUSPENSION, WINKER RELAY	1 1		A
15	84706-286-000	COLLAR, NUMBER BRACKET SETTING	2 2		
16	90525-030-000	WASHER B, HANDLE HOLDER SETTING	2 2		
17	92000-06016	BOLT, HEX., 6X16	2 2		
18	94001-06000	NUT, HEX., 6MM	2 2		
19	94001-08000-0S	NUT, HEX., 8MM	1 1		
20	94101-08000	WASHER, PLAIN, 8MM	1 1		
21	94111-06000	WASHER, SPRING, 6MM	2 2		
22	95012-17000	BAND F, BATTERY	1 1		

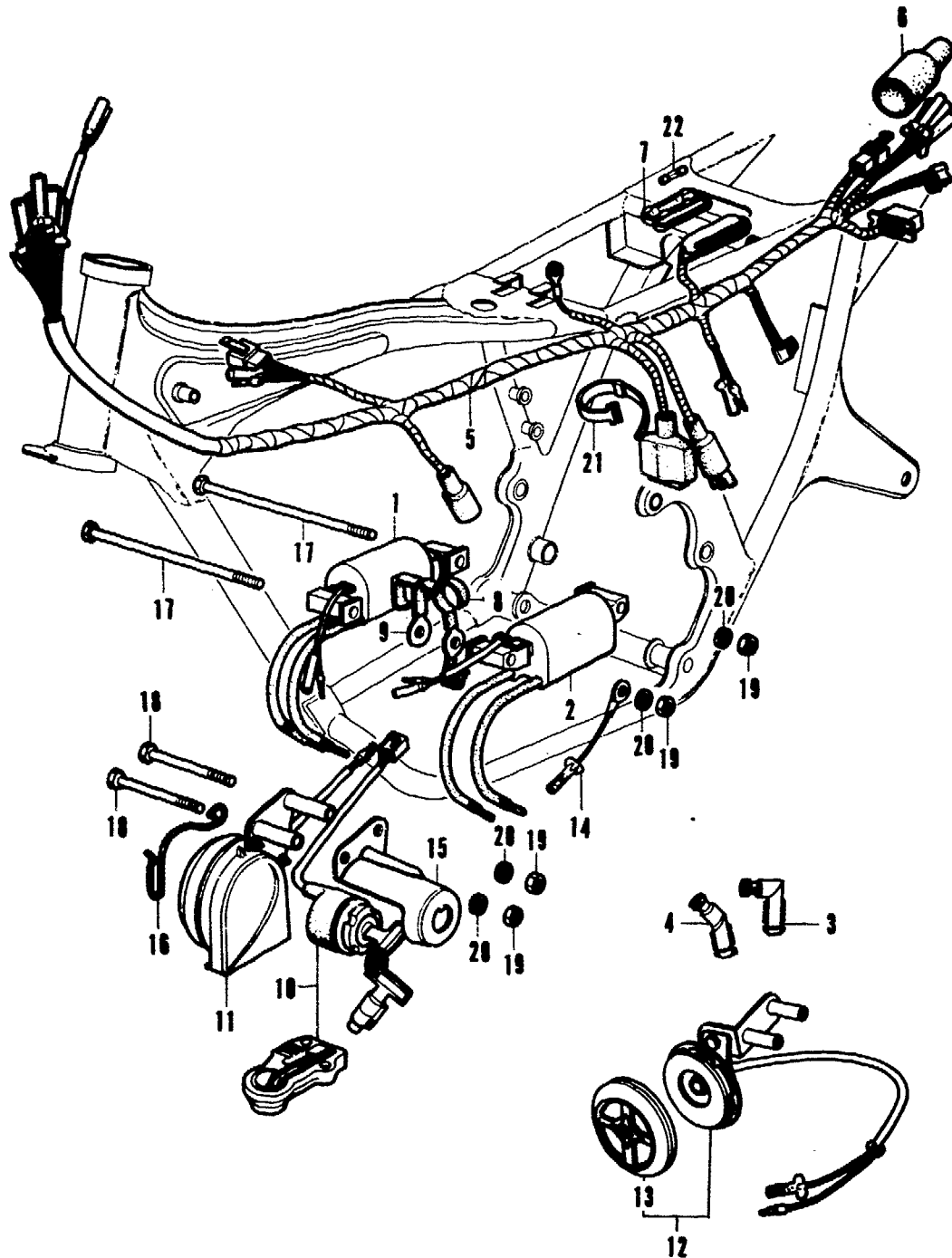
Courtesy of  Honda4Fun  
www.hondafour.com www.honda4fun.com

F-26 Wire harness



F-26 Wire harness

Courtesy of  Honda4Fun  
www.hondafour.com www.honda4fun.com



Ref. No.	Part No.	Description	Reqd. No.		Serial No.	Area code
			CB350	F F1		
1	30510-333-013	COIL ASSY., R. IGNITION	1	1		
2	30520-333-013	COIL ASSY., L. IGNITION	1	1		
3	30700-300-010	CAP ASSY. A, NOISE SUPPRESSER	2	2		A,D
	30700-341-620	CAP ASSY. A, NOISE SUPPRESSER	2	2		ED,F,G,IT
4	30701-323-013	CAP ASSY. C, NOISE SUPPRESSOR	2	2		A,D
	30701-323-622	CAP ASSY. C, NOISE SUPPRESSOR	2	2		ED,F,G,IT
5	32100-333-000	HARNESS, WIRE	1	1		
6	32108-046-000	COVER, WIRE HARNESS CONNECTOR	1	1		
7	32120-323-000	CASE, FUSE	1	1		
8	32165-333-000	CLIP, WIRE HARNESS	1	1		
9	32166-333-000	CLIP, COUPLER	1	1		
10	35020-323-672	SWITCH KIT, MAIN	1	1		A,D
	35020-323-612	SWITCH KIT, MAIN	1	1		ED,F,G,IT
11	38100-333-003	HORN ASSY. (MITSUBA)	1	1		A,D,G
	38100-333-620	HORN ASSY.	1	1		F
12	38100-333-732	HORN ASSY.	1	1		ED,IT
13	38101-341-630	COVER	1	1		ED,IT
14	38105-323-000	CORD, HORN EARTH	1	1		D,ED,F,G,IT
15	50375-333-010	BRACKET, MAIN SWITCH	1	1		
16	50462-333-000	CLAMP, TACHOMETER CABLE	1	1		A,D,F,G
	50462-333-731	CLAMP, TACHOMETER CABLE	1	1		ED,IT
17	90167-333-000	BOLT, HEX., 6X130	2	2		
18	92000-06065	BOLT, HEX., 6X65	2	2		
19	94001-06000	NUT, HEX., 6MM	4	4		
20	94111-06000	WASHER, SPRING, 6MM	4	4		
21	95014-62200	BAND B2, WIRE	1	1		
22	98200-11500	FUSE A (15A)	1	1		

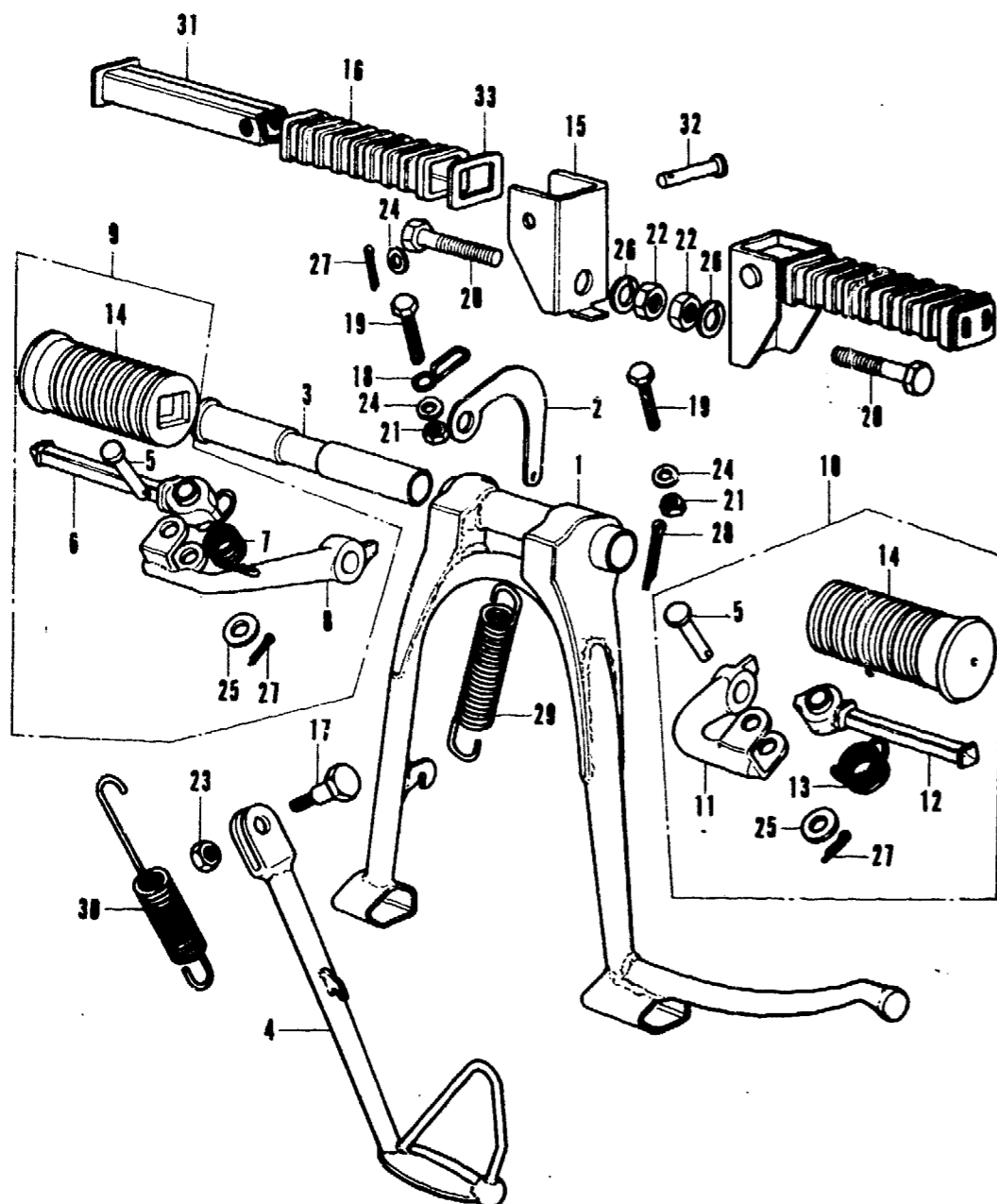
Courtesy of  Honda4Fun  
www.hondafour.com www.honda4fun.com

# F 7

## F-27 Main stand · Step

## F-27 Main stand · Step

Courtesy of  Honda4Fun  
www.hondafour.com www.honda4fun.com



Ref. No.	Part No.	Description	Reqd. No. CB350 F F1	Serial No.	Area code
1	50500-333-000	STAND COMP., MAIN	1 1		
2	50523-333-000	HOOK, MAIN STAND SPRING	1 1		
3	50526-286-000	PIPE, MAIN STAND PIVOT	1 1		
4	50530-333-020	BAR, SIDE STAND	1 1		
5	50603-033-000	PIN, STEP BAR JOINT	2 2		
6	50616-310-000	ARM COMP., R. STEP	1 1		
7	50617-283-000	SPRING, R. STEP RETURN	1 1		
8	50618-333-670	BAR COMP., R. STEP	1 1		
9	50630-333-670	STEP ASSY., R.	1 1		
10	50640-333-670	STEP ASSY., L.	1 1		
11	50641-333-670	BAR COMP., L. STEP	1 1		
12	50642-310-000	ARM COMP., L. STEP	1 1		
13	50644-283-000	SPRING, L. STEP RETURN	1 1		
14	50661-333-000	RUBBER, STEP	2 2		
15	50713-333-000	BRACKET, PILLION STEP	2 2		
16	50714-333-000	RUBBER, PILLION STEP	2 2		
17	90108-283-000	SCREW, SIDE STAND PIVOT	1 1		
18	90514-333-000	GUIDE, BATTERY BREATHER PIPE	1 1		
19	92000-06040	BOLT, HEX., 6X40	2 2		
20	92000-10035-0A	BOLT, HEX., 10X35	2 2		
21	94001-06000	NUT, HEX., 6MM	2 2		
22	94001-10000-0S	NUT, HEX., 10MM	2 2		
23	94030-10000	NUT, HEX., 10MM	1 1		
24	94101-06000	WASHER, PLAIN, 6MM	4 4		
25	94101-08000	WASHER, PLAIN, 8MM	2 2		
26	94111-10000	WASHER, SPRING, 10MM	2 2		
27	94201-16150	PIN, SPLIT, 1.6X15	4 4		
28	94201-25250	PIN, SPLIT, 2.5X25	1		
	94201-25300	PIN, SPLIT, 2.5X30	1		
	94201-25250	PIN, SPLIT, 2.5X25	1	1055094	1055093 A,D,ED,F,G IT A,D,ED,F,G
29	95014-71701	SPRING G, MAIN STAND	1 1		
30	95014-72401	SPRING D, SIDE STAND	1 1		
31	95015-62000	BAR B, PILLION STEP	2 2		
32	95015-82000	PIN B, PILLION STEP	2 2		
33	95015-91000	WASHER, PILLION STEP	2 2		

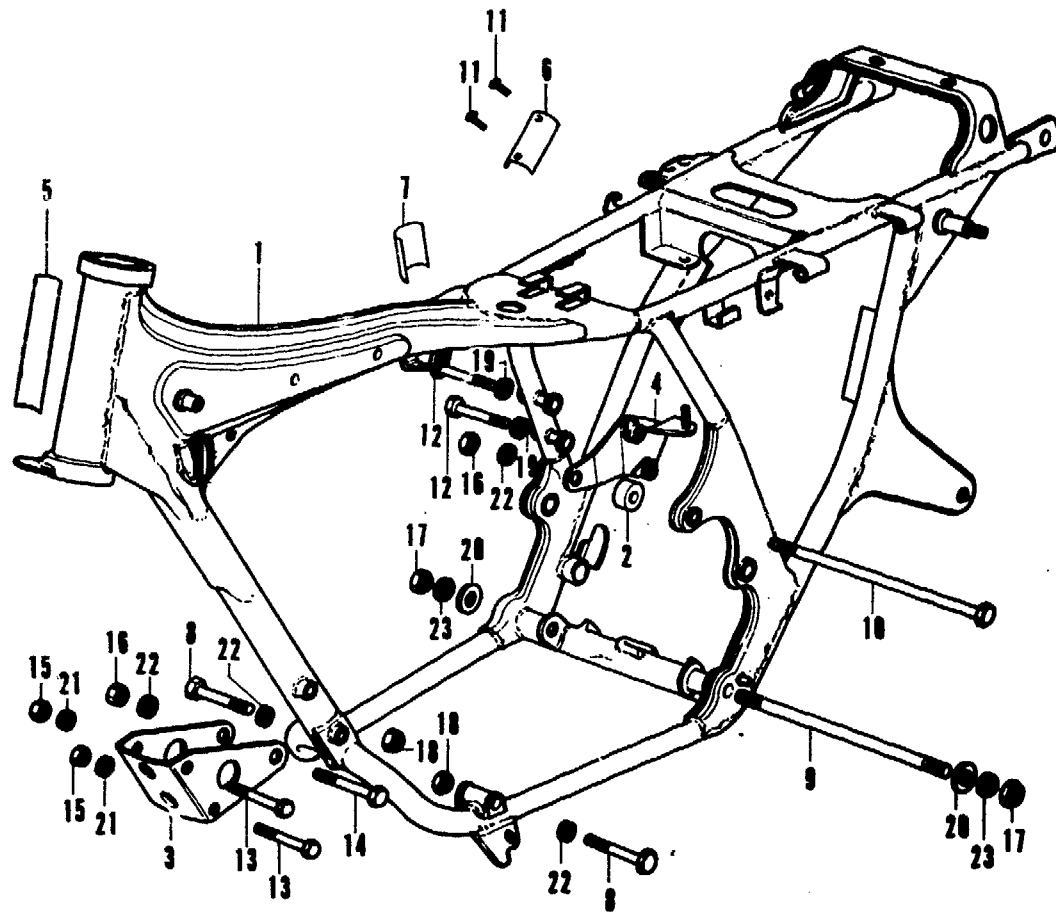
Courtesy of  Honda4Fun  
www.hondafour.com www.honda4fun.com

F-28 Frame body



F-28 Frame body

Courtesy of  Honda4Fun  
 www.hondafour.com www.honda4fun.com



Ref. No.	Part No.	Description	Reqd. No. CB350 F F1	Serial No.	Area code
1	50100-333-0108	BODY COMP., FRAME	1 1		A, D
	50100-333-6108	BODY COMP., FRAME	1		ED, F, G, IT
2	50329-286-010	COLLAR, ENGINE SIDE	1 1		
3	50351-333-000	BRACKET, FR. ENGINE HANGER	1 1		
4	50356-333-000	BRACKET, RR. ENGINE HANGER	1 1		
5	87125-041-680	PLATE, NAME	1		D
6	87501-333-611	PLATE, REGISTERED NUMBER	1		G
	87501-333-620	PLATE, REGISTERED NUMBER	1		F
	87501-333-730	PLATE, REGISTERED NUMBER	1		ED, IT
7	87506-333-670	MARK, BATTERY CAUTION	1 1		
8	90106-333-000	BOLT, FR. ENGINE LOWER HANGER 90101-377-000	2 2		
9	90107-333-000	BOLT, RR. ENGINE LOWER HANGER	1 1		
10	90108-333-000	BOLT, RR. ENGINE UPPER HANGER	1 1		
11	90841-001-000	SCREW, RIVET, 1.5X5	2		ED, F, G, IT
12	92000-08065-0A	BOLT, HEX., 8X65	2 2		
13	92000-08080-0A	BOLT, HEX., 8X80	2 2		
14	92000-10080-0A	BOLT, HEX., 10X80	1 1		
15	94001-08000-0S	NUT, HEX., 8MM	2 2		
16	94001-10000-0S	NUT, HEX., 10MM	2 2		
17	94001-12200	NUT, HEX., 12MM	2 2		
18	94030-10000	NUT, HEX., 10MM	2 2		
19	94102-08000	WASHER, PLAIN, 8MM	2 2		
20	94102-12000	WASHER, PLAIN, 12MM	2 2		
21	94111-08000	WASHER, SPRING, 8MM	2 2		
22	94111-10000	WASHER, SPRING, 10MM	4 4		
23	94111-12000	WASHER, SPRING, 12MM	2 2		

Courtesy of  Honda4Fun  
 www.hondafour.com www.honda4fun.com

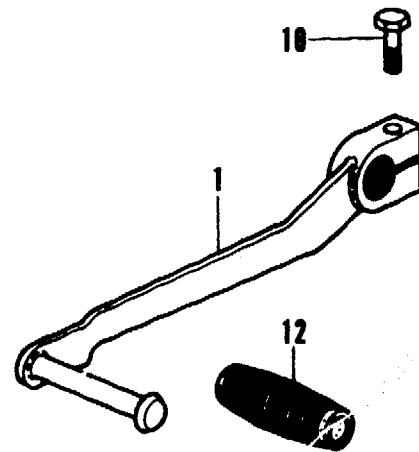
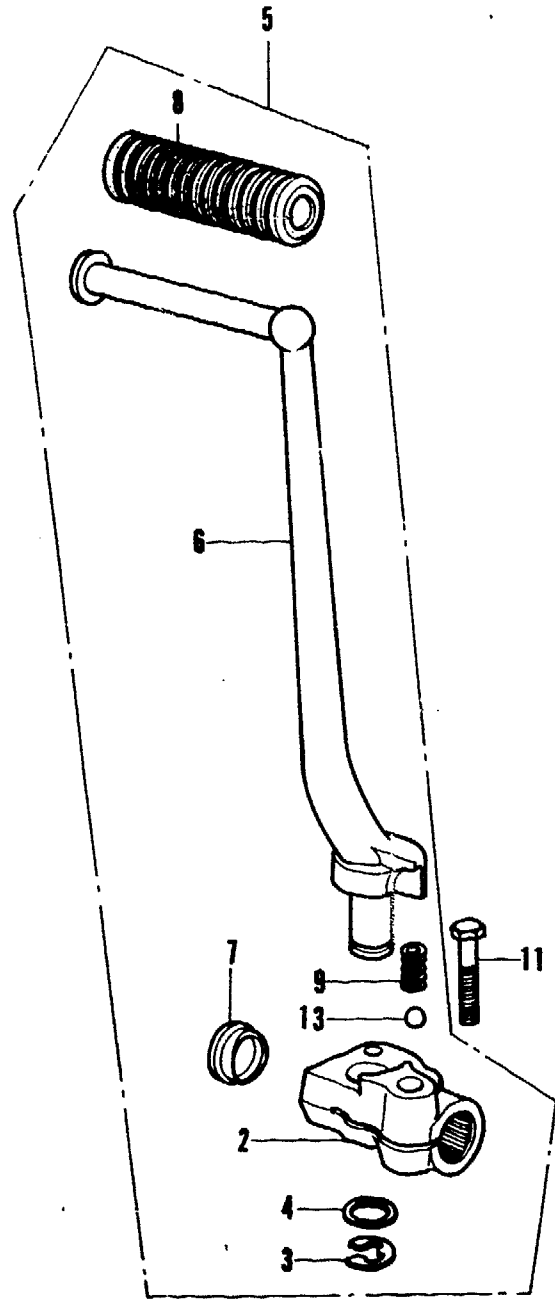


F-29 Kick arm · Change pedal



F-29 Kick arm · Change pedal

Courtesy of  Honda4Fun  
www.hondafour.com www.honda4fun.com



Ref. No.	Part No.	Description	Reqd. No.		Serial No.	Area code
			CB350	F FI		
1	24700-333-000	PEDAL CMP., GEAR CHANGE	1	1		
2	28241-333-010	JOINT, KICK ARM	1	1		
3	28293-333-000	CLIP, KICK STARTER ARM	1	1		
4	28294-333-000	WASHER, KICK ARM	1	1		
5	28300-333-010	ARM ASSY., KICK STARTER	1	1		
6	28301-333-010	ARM, KICK STARTER	1	1		
7	28305-333-010	CAP, KICK ARM	1	1		
8	28311-329-000	RUBBER, KICK STARTER	1	1		
9	28333-333-000	SPRING, KICK STARTER STOPPER	1	1		
10	92000-06020	BOLT, HEX., 6X20	1	1		
11	92000-06035	BOLT, HEX., 6X35	1	1		
12	95011-40000	RUBBER, CHANGE PEDAL	1	1		
13	96211-10000	BALL, STEEL, #10 (5/16)	1	1		

B333-60

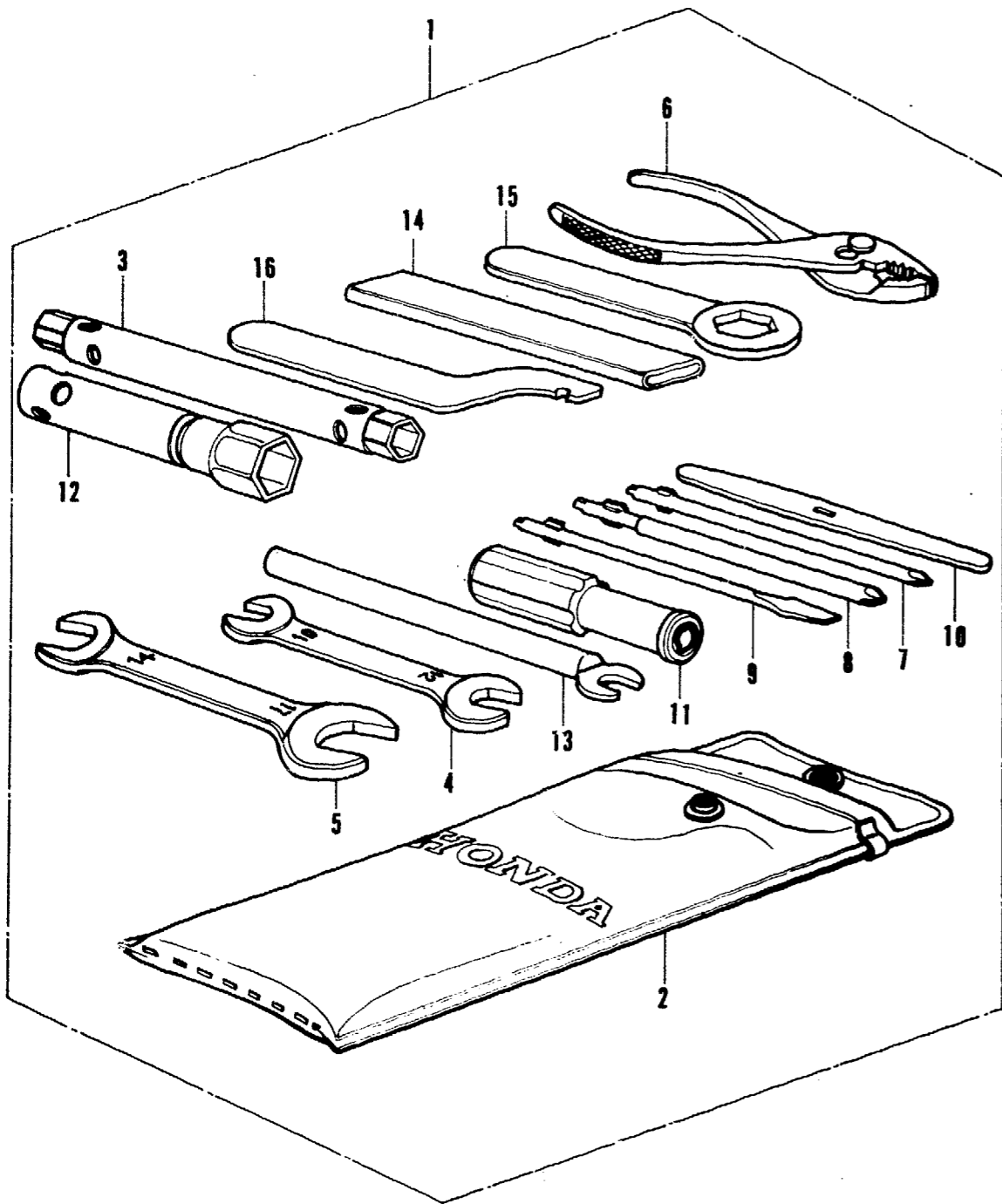
Courtesy of  Honda4Fun  
www.hondafour.com www.honda4fun.com

F-30 Tool

**F 10**

F-30 Tool

Courtesy of  Honda4Fun  
www.hondafour.com www.honda4fun.com



Ref. No.	Part No.	Description	Reqd. No. CB350 F F1	Serial No.	Area code
1	89010-333-000	TOOL SET	1 1		
2	89101-300-010	BAG, TOOL	1 1	1073814 2003870	
	99008-02000	BAG, TOOL, 200MM	1 1	1073815 2003871	
3	89216-333-000	WRENCH, BOX, 10X12	1 1		
4	99001-10120	SPANNER, 10X12	1 1		
5	99001-14170	SPANNER, 14X17	1 1		
6	99002-13500	PLIERS, 135	1 1		
7	99003-10000	DRIVER 2, PLUS SCREW	1 1		
8	99003-20000	DRIVER 3, PLUS SCREW	1 1		
9	99003-30000	DRIVER 2, MINUS SCREW	1 1		
10	99003-40000	LEVER	1 1		
11	99003-50000	GRIP	1 1		
12	99004-18002	WRENCH, BOX, P18	1 1		
13	99005-02000	BAR B, HANDLE	1 1		
14	99006-12000	HANDLE, EYE WRENCH, 120MM	1 1		
15	99006-22000	WRENCH, EYE, 22MM	1 1		
16	99007-45000	SPANNER, PIN	1 1		